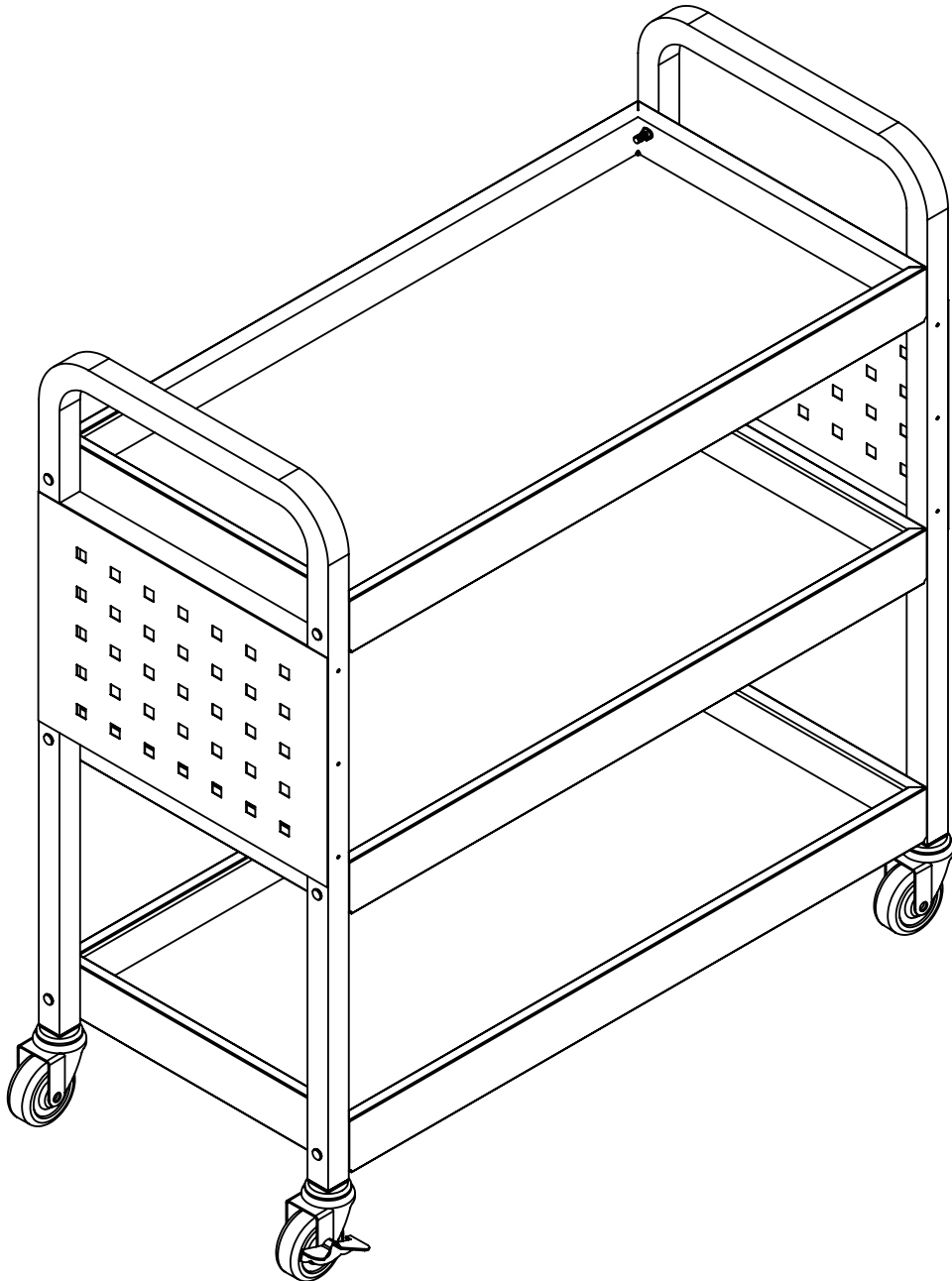




IN220800108V01\_UK

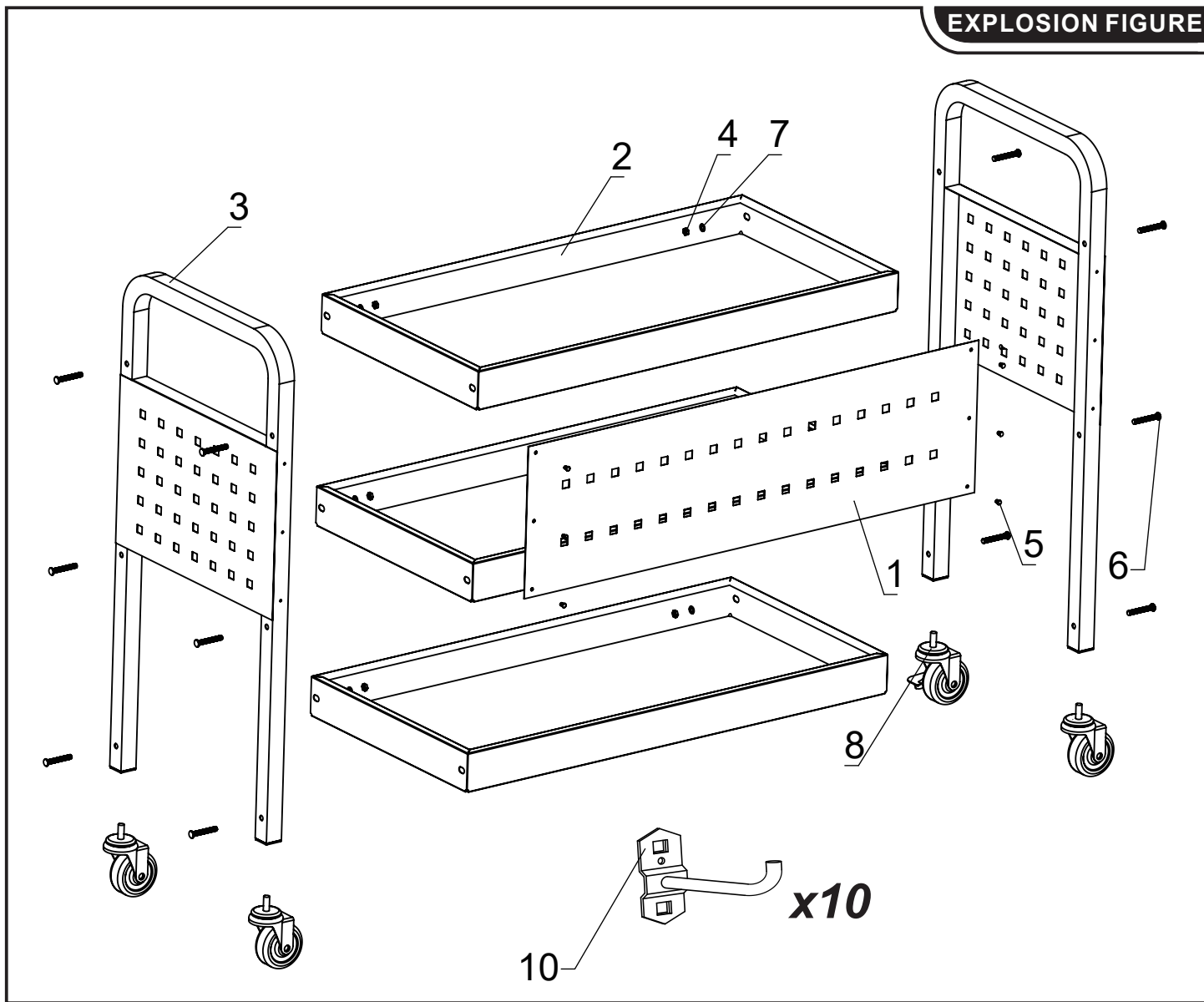
**B20-095V01**



IMPORTANT, RETAIN FOR FUTURE REFERENCE: READ CAREFULLY

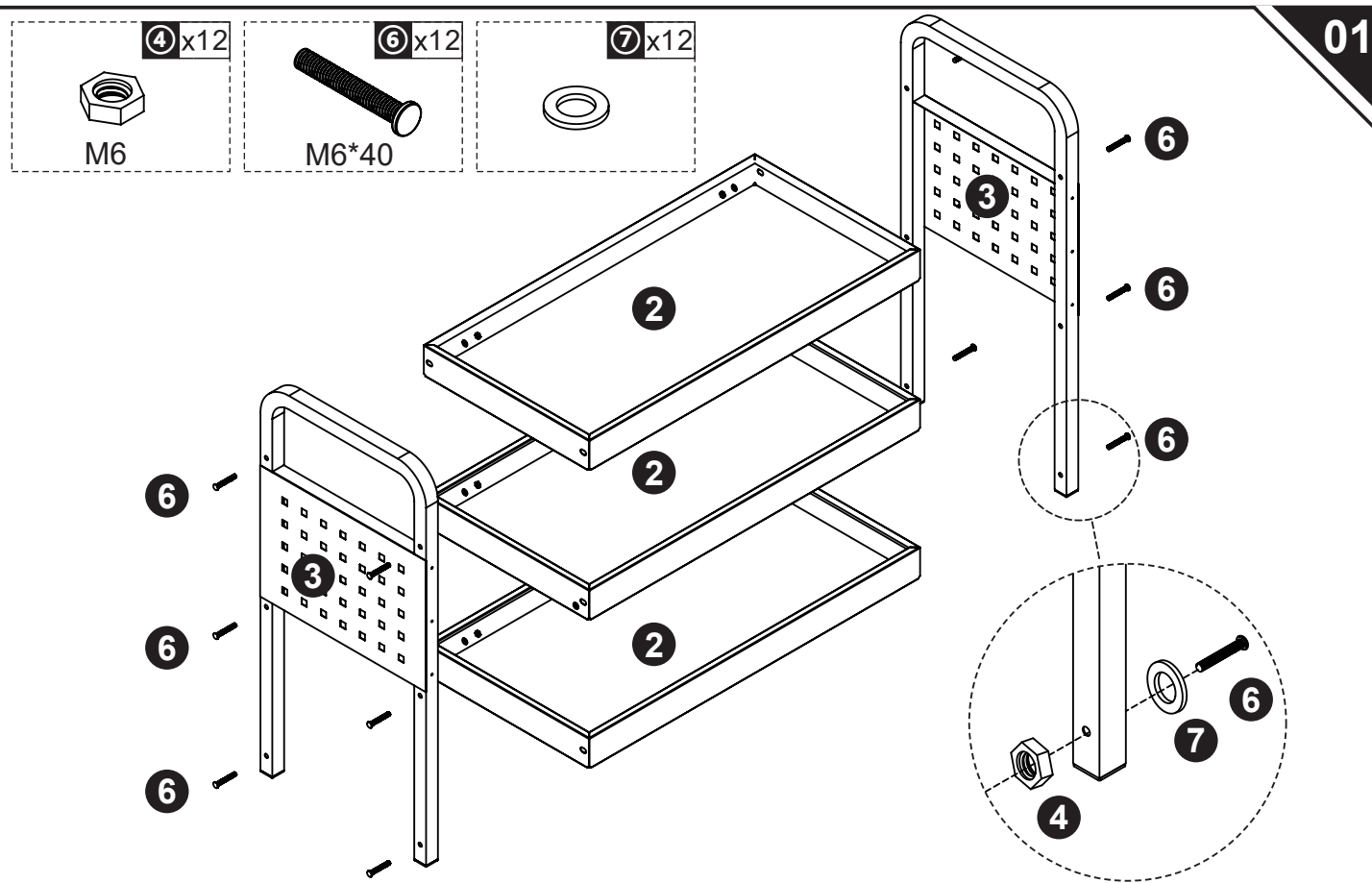
**ASSEMBLY INSTRUCTION**

**EXPLOSION FIGURE**

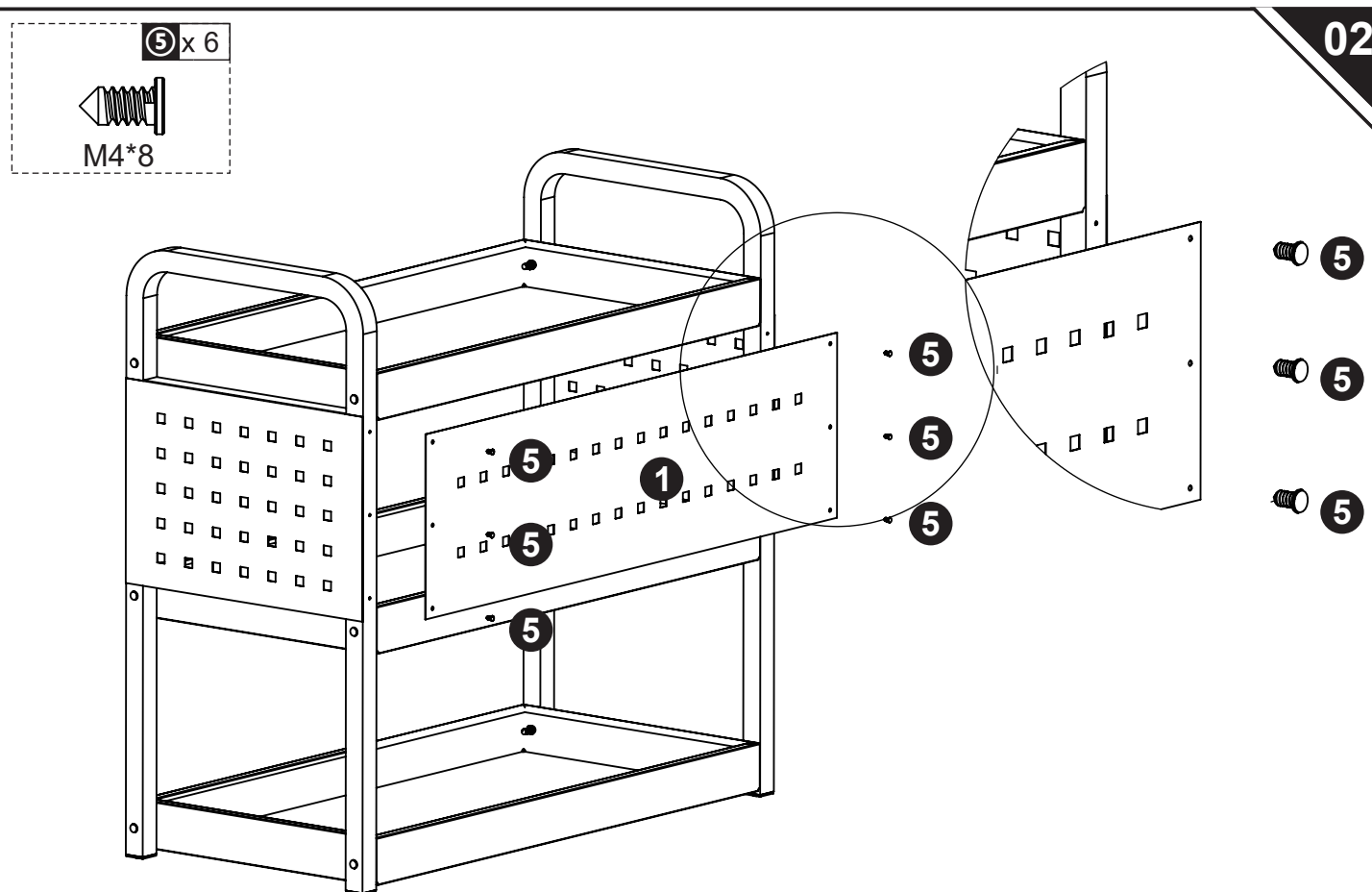


**PARTS**

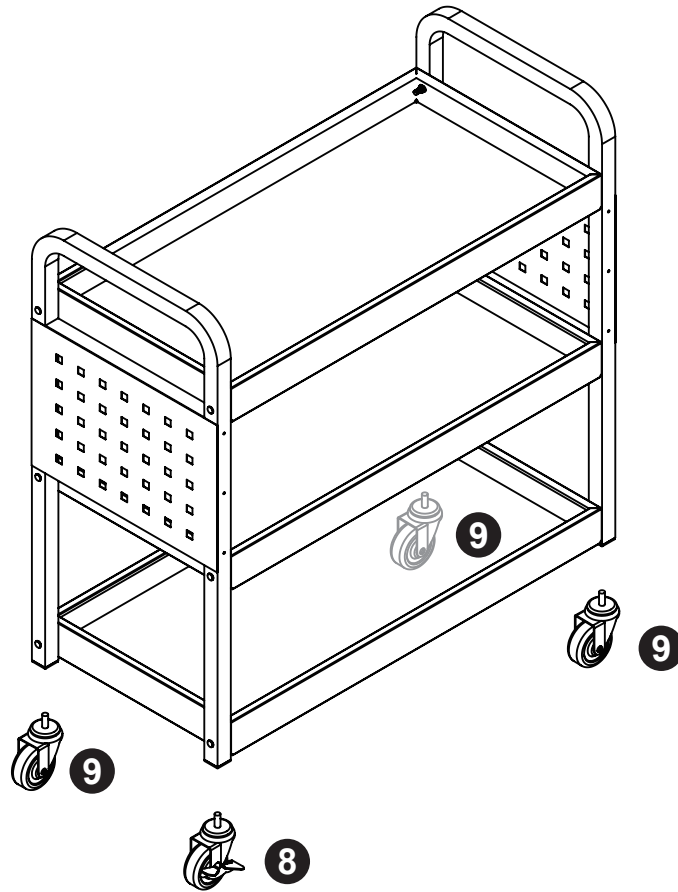
<p><b>①</b> x 1</p>	<p><b>②</b> x 3</p>	<p><b>③</b> x 2</p>
<p><b>④</b> x 12 +1 (spare)</p> <p>M6</p>	<p><b>⑤</b> x 6 +1 (spare)</p> <p>M4*8</p>	<p><b>⑥</b> x 12 +1 (spare)</p> <p>M6*40</p>
<p><b>⑦</b> x 12 +1 (spare)</p>	<p><b>⑧</b> x 1</p>	<p><b>⑨</b> x 3</p>
<p><b>⑩</b> x 10</p>		



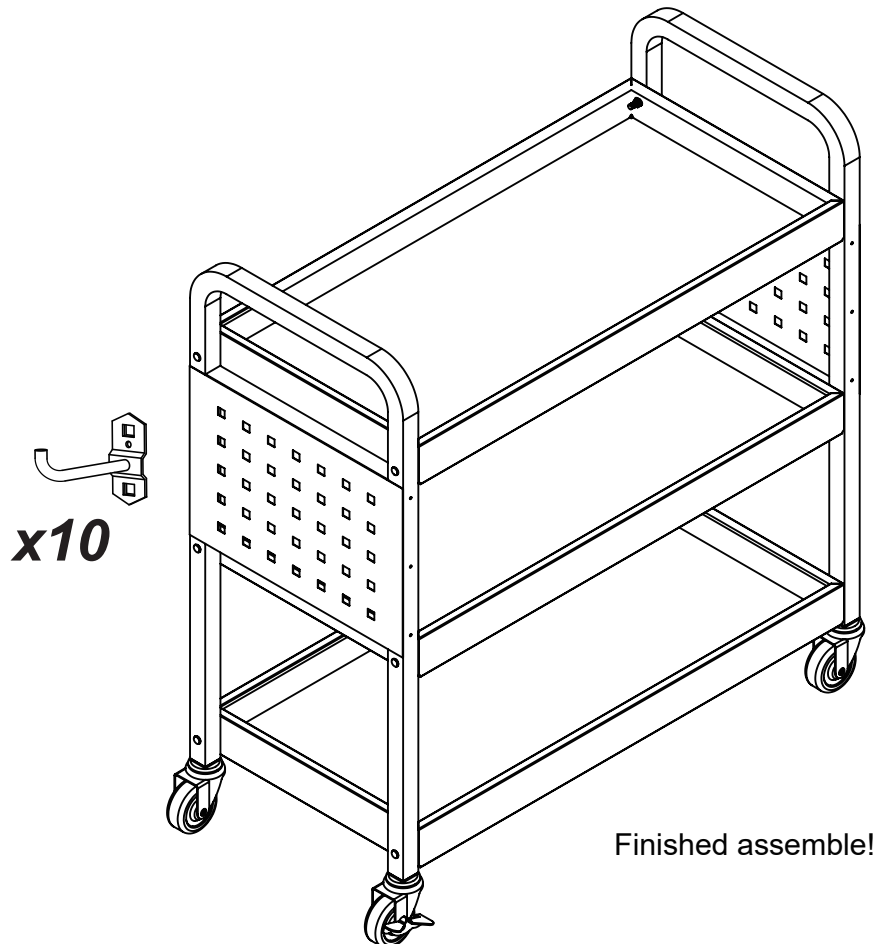
Step 1: Fixed the 3 trays on the left and right pillars with 12 pieces M6\*40 screws and gaskets



Step 2: Fixed the back board on the pillars with 6 pieces M4\*8 tapping screws



Step 3: Assemble 3 swivel casters and 1 brake caster on the below of pillars





Finished assemble!

**Dear customer,**

Thank you for purchasing this product. So that your appliance serves you well, please read all the instructions in this user's manual. If you have any questions, please contact our customer care center.

**Our contact details are below:**

Country	 Phone	 Email
UK	0044-800-240-4004	enquiries@mhstar.co.uk

**IMPORTER ADDRESS:**

MH STAR UK LTD  
Unit 27, Perivale Park,  
Horsenden lane South  
Perivale, UB6 7RH

**MADE IN CHINA**