



BMW S1000 RR

Children Battery Powered Trike

IN220800265V04_UK_370-064V01_370-064V70



Owner's Manual with Assembly Instructions

Styles and colo(u)rs may vary.
Made in China.

The owner's manual contains important safety information as well as assembly, use and maintenance instructions.

The Ride-on Car must be assembled by an adult who has read and understands the instructions in this manual.

Keep the package away from children and dispose of properly before use.

Keep this manual for future reference.

On the purchase of your new Trike

This ride-on car will provide your child with many miles of riding of enjoyment. To help assure you and your rider a safe ride we ask you to please read this manual carefully, and keep it for future reference.

Follow the recommendations in this manual, they are designed to improve the safety and operation of your ride-on car and rider.

BMW S1000RR Children Battery Powered Trike manufactured by Zhejiang Jiajia Ride-On Co., Ltd. (Xincang Industrial Zone, Pinghu City, Zhejiang Province, P.R.China). The BMW logo and the BMW word mark are trademarks of BMW AG and are used under license.

Battery	6V4Ah x 1	
Charger	6V500mA	

<i>Suitable age:</i>	18-36 Months
<i>Load Capacity:</i>	Under 20 kgs
<i>Speed:</i>	3km/h
<i>Size of car:</i>	66 x 37 x 44 CM
<i>Power way:</i>	Charging type
<i>Charge time:</i>	8 ~ 12 hours

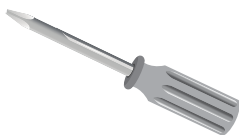
Parts List | 2

PART NO.	PART NAME	Q'ty (pcs)	REMARKS
1	Vehicle body	1	
2	Faceguard	1	
3	Handle bar	1	
4	M5x35 machine screw	1	Placed on the front fork of the wheel assembly
5	Ø5 nut	1	Placed on the front fork of the wheel assembly
6	Charger	1	
7	Gear box	1	
8	Rear wheel	2	
9	Ø10 washer	3	Placed on the rear axle
10	Lock nut	1	Placed on the rear axle
11	Front wheel assembly	1	
12	Spanner	2	
13	Rear axle	1	
14	Ø4x12 screw	2	

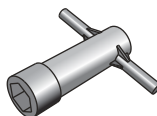
WARNING!

- **ADULT ASSEMBLY REQUIRED.**
- Always remove protective material and poly bags and dispose before assembly.

- Before first time use, charge the battery for at least 4 to 6 hours.
- Assembly tools required:



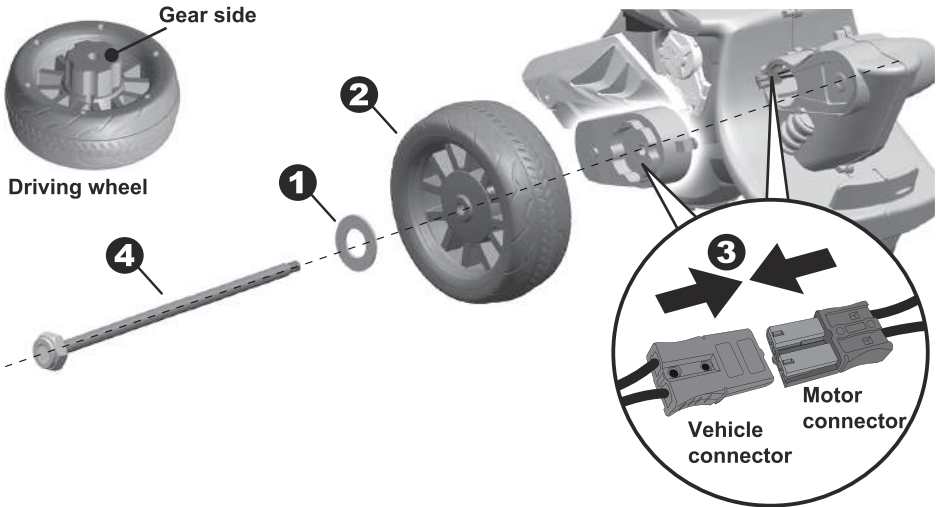
Screwdriver
(not included)



Spanner

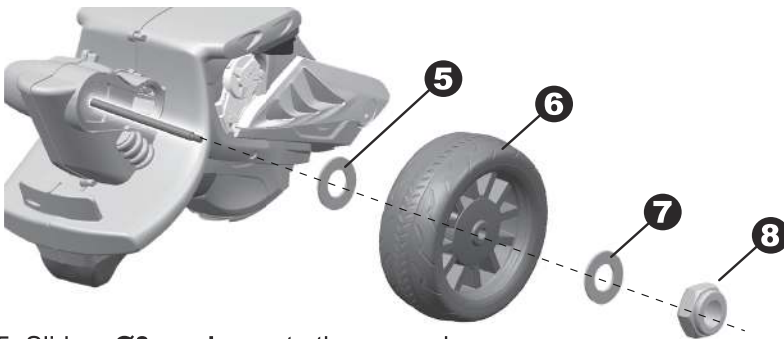
BATTERY INFORMATION

- Non-rechargeable batteries are not to be recharged.
- Rechargeable batteries are to be removed from the toy before being charged.
- Rechargeable batteries are only to be charged under adult supervision.
- Different types of batteries or new and used batteries are not to be mixed.
- Batteries are to be inserted with the correct polarity.
- Exhausted batteries are to be removed from the toy.
- The supply terminals are not to be short-circuited.



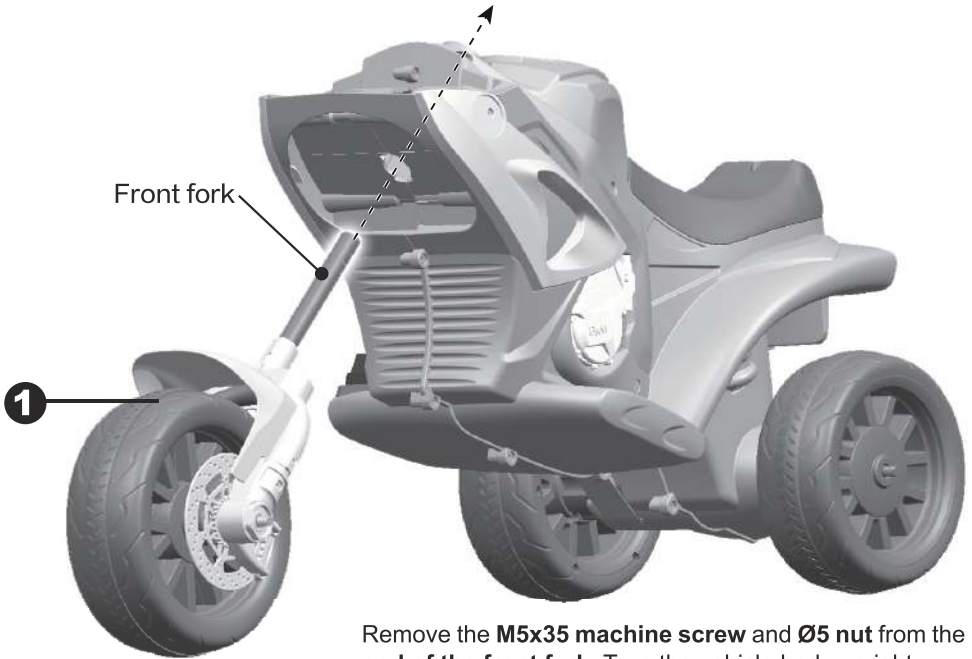
Remove all the parts from the rear axle. Turn the vehicle body upside down.

1. Slide a **Ø8 washer** onto the rear axle.
2. Slide a **driving wheel (gear side inward)** onto the rear axle.
3. Plug the connector on the vehicle into the connector on the motor.
4. Slide rear axle through the hole on the gear box, (ensure the driving wheel match up with the gear box), and out through the hole on the other side of the vehicle body.



5. Slide a **Ø8 washer** onto the rear axle.
6. Slide a **rear wheel (gear side first)** onto the rear axle.
7. Slide a **Ø8 washer** onto the rear axle.
8. Tighten a **lock nut** to the end of the rear axle with a spanner.

HINT: An extra spanner has been provided to hold the Lock Nut on the other side of the rear axle while tightening the Lock Nut on the other side.



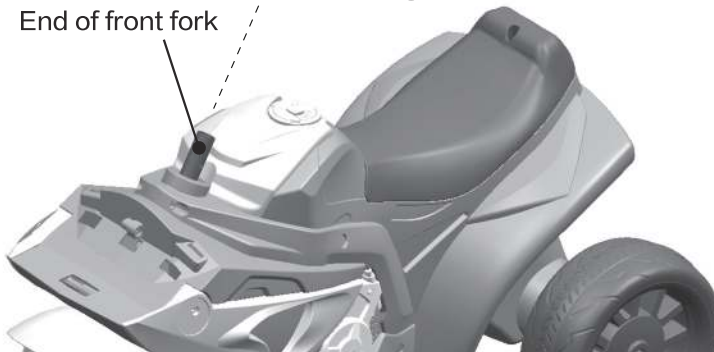
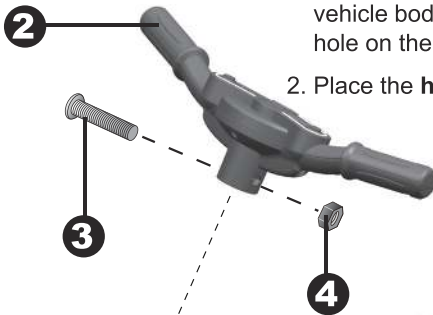
Remove the **M5x35 machine screw** and **Ø5 nut** from the **end of the front fork**. Turn the vehicle body upright.

1. Insert the front fork into the opening on the front of the vehicle body from the bottom side, and out through the hole on the top of the vehicle.

2. Place the **handle bar** over the the end of the fork.

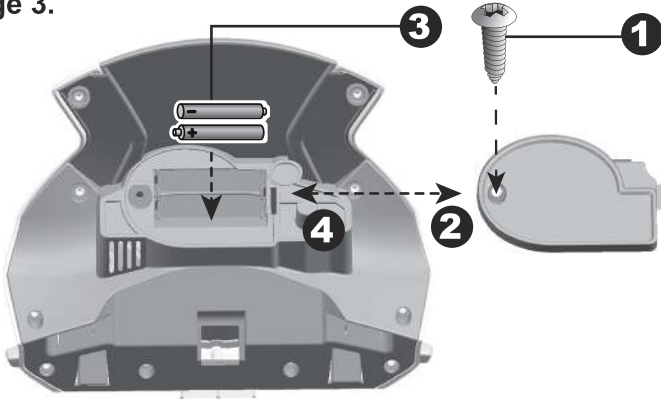
3. Align the holes on each side of **handle bar** with the holes at the **end of the fork**.

4. Fasten a **nut** on the opposite end of the **screw** to secure the handle bar.

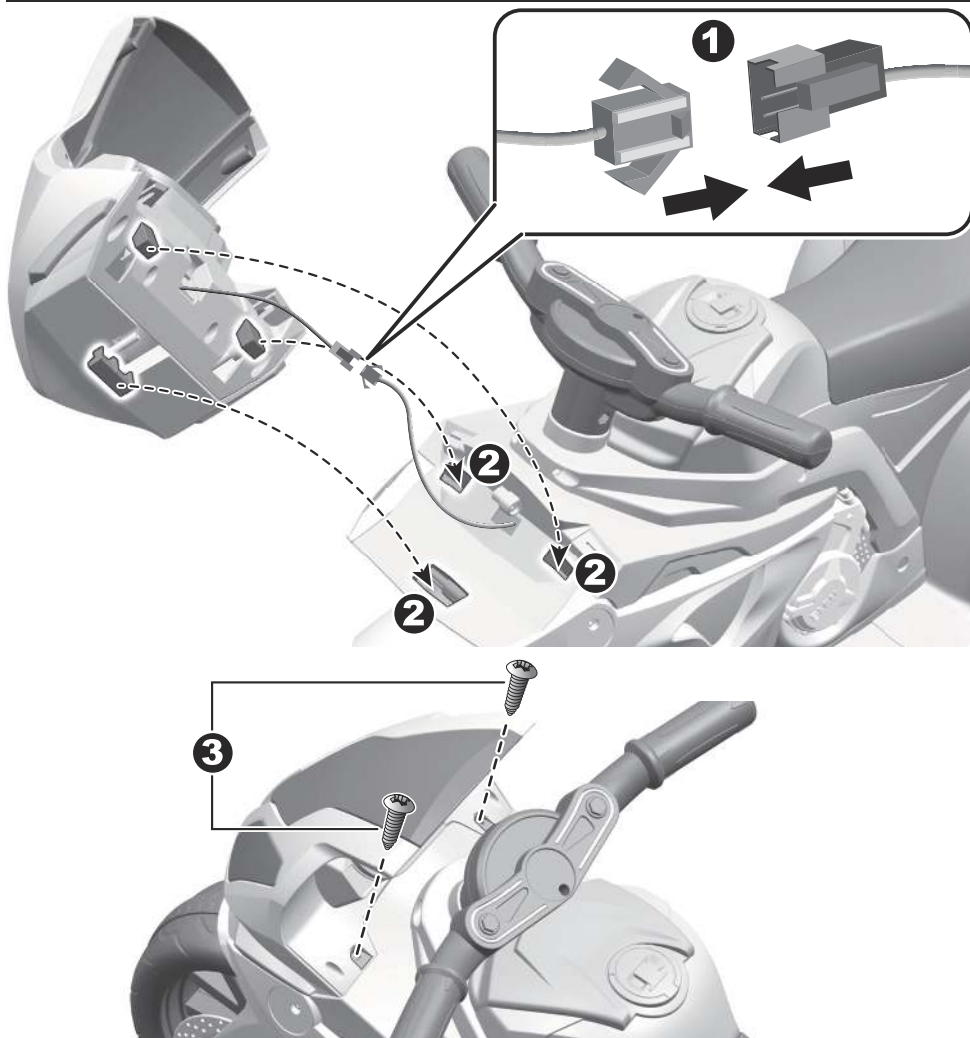


Attach the Faceguard | 7

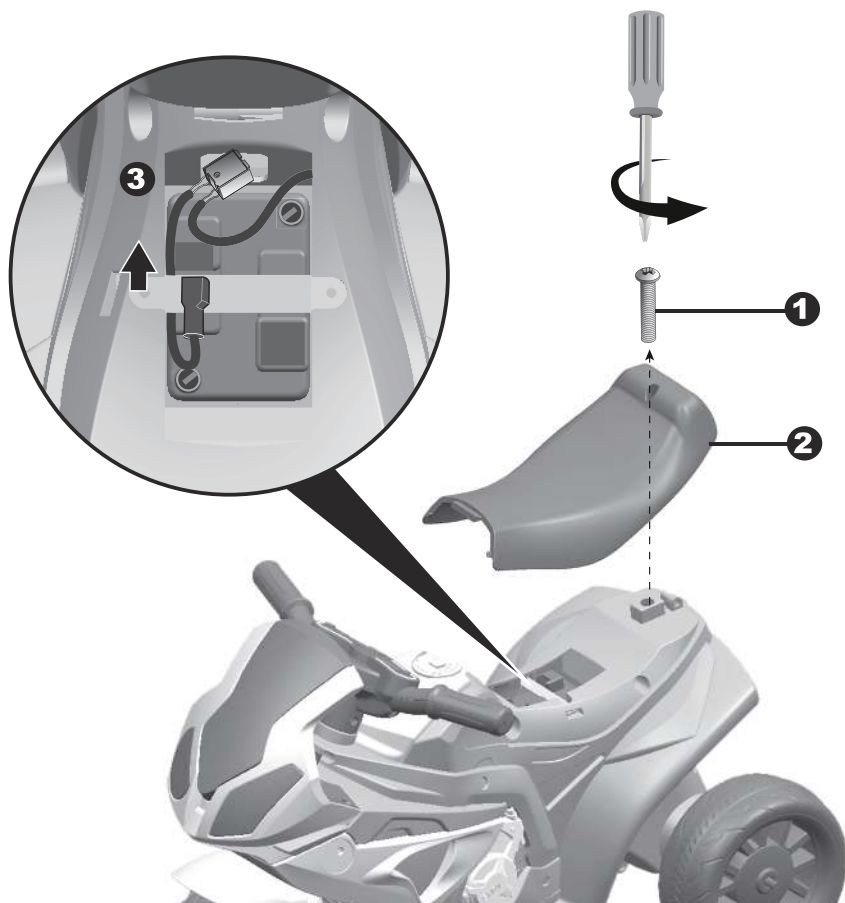
If you use your vehicle with the sound function, follow the steps 1-4 to add the batteries (not included). Refer to the battery information on page 3.



1. With a small screwdriver remove the **screw** on the **battery cover** on the faceguard.
2. Remove the battery cover from the top of the battery compartment.
3. Insert two **AAA batteries** in their correct polarities.
4. Replace the **battery cover** over the battery compartment and fasten with the **screw** you removed in step one.



1. Plug the light wire connector on the faceguard into the connector on the vehicle. Then hide the connectors into the hole in the faceguard.
2. Insert the three **tabs** on the faceguard into the **holes** in the vehicle body. Push the faceguard down till hear it “click” into place.
3. Insert and tighten a $\varnothing 4 \times 12$ screw on each side of the faceguard with a screwdriver.



1. Using a screwdriver to remove the screw on the seat back.
2. Remove the seat.
3. Plug the **red connector** into the **terminal on battery** as shown.
4. Replace the seat.

 **WARNING!**

- **CHOKING HAZARD** - Small parts. Not suitable for children under 18 months. The product contains small parts, keep children away when assembling.
- **ADULT ASSEMBLY REQUIRED.**
- Always remove protective material and poly bags and dispose before assembly.
- Protective equipment should be worn. Always wear shoes and sit in the seat when operating the vehicle.
- Only drive on level ground. Never use on the lawn.
- Never leave a child unattended.
- Keep your hands, hair, and clothes away from moving parts.

 **WARNING!**

The following safety hazards may result in serious injury or death:

- Never leave child unattended. Direct adult supervision is required. Always keep child in view when child is in vehicle.
- To reduce the risk of injury, adult supervision is required. Never use in roadways, near motor vehicles, on or near steep inclines or steps, swimming pools or other bodies of water, always wear shoes, and never allow more than 1 rider.
- Never use in unsafe conditions such as snow, rain, loose dirt, mud, sand, or gravel, otherwise may result in an unexpected accident such as tipping over, and could damage the electrical system or battery
- Not to be used in traffic.
- This toy should be used with caution since skill is required to avoid falls or collisions causing injury to the user or third parties.
- This toy is unsuitable for children under 18 months due to its maximum speed; Maximum user weight is 20kg.
- This toy has no brake.

 **WARNING!**

- Do not mix old and new batteries .
- Do not mix alkaline, standard (carbon-zinc) or re-chargeable batteries.
- Only use the battery(ies) specified by the manufacturer.
- Only use the charger(s) specified by the manufacturer.
- The battery is not replace able.



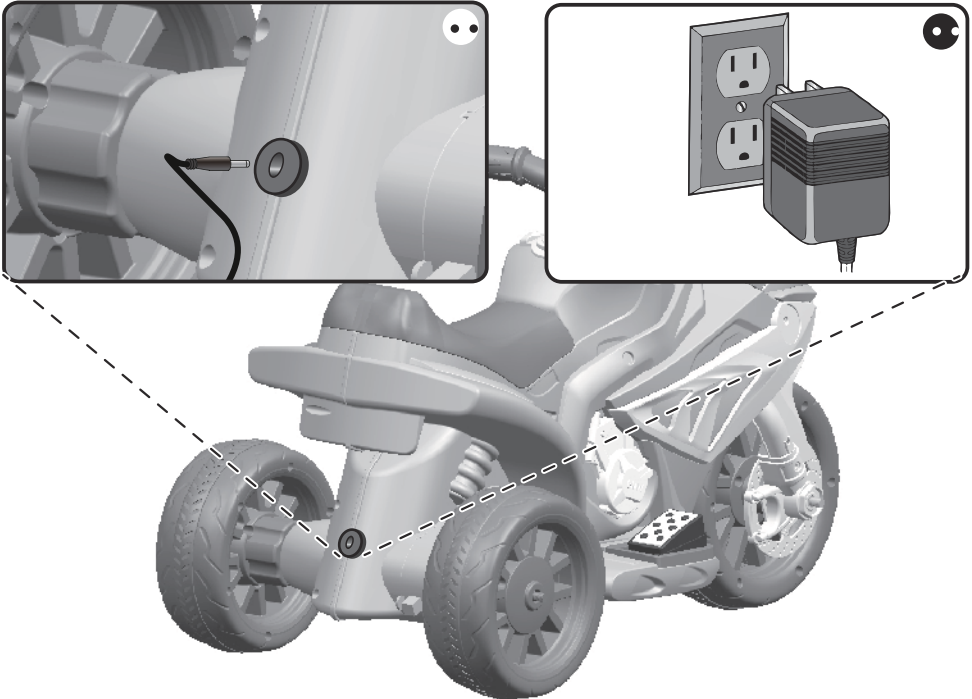
RISK OF FIRE. Do not bypass. Replace only with a 7A fuse.



1. **Sounds buttons(if equipped):** Press for sounds playing.
2. **Foot pedal:** Applies power (speed) to the vehicle.

WARNING!

- **ONLY** an adult is allowed charge and recharge the battery!
 - This product with Charging Protection: when charging, all functions will be cut off.
-
- Before the first use, you should charge the battery for 4-6 hours. Do not recharge the battery for more than 10 hours to avoid overheating the charger.
 - When the vehicle begins to run slowly, recharge the battery.
 - After each use or once a month minimum recharge time as 8 to 12 hours, less than 20 hours at most.
 - Use the only rechargeable battery and charger supplied with your vehicle. **NEVER** substitute the battery or the charger with another brand. Using another battery or charger may cause a fire or explosion.
 - Do not use the battery or charger for any other product.



1. Plug the charger port into the input socket. (the socket is at the back of the vehicle)
2. Plug the charger plug into a wall outlet. The battery will begin charging.

The battery features a thermal fuse with a reset fuse that will automatically trip and cut all power to the vehicle if the motor, electric system or battery is overloaded. The fuse will reset and power will be restored after the unit is turned OFF for 20 seconds and then turned ON again. If the thermal fuse trips repeatedly during normal use, the vehicle may need repair. **Contact your distributor please.**

To avoid losing power, follow these guidelines:

- Do not overload the vehicle.
- Do not tow anything behind the vehicle.
- Do not drive up steep slopes.
- Do not drive into fixed objects, which may cause the wheels to spin, causing the motor to overheat.
- Do not drive in very hot weather, components may overheat.
- Do not allow water or other liquids to come in contact with the battery or other electric components.
- Do not tamper with the electric system. Doing so may create a short, causing the fuse to trip.

Battery Replacement and Disposal



The battery will eventually lose the ability to hold a charge. Depending on the amount of use, and varying conditions, the battery should operate for one to three years. Follow these steps to replace and dispose the battery:

1. Remove the car seat.
2. Disconnect the battery connectors.
3. Remove the battery bracket.
4. Remove the battery cover.
5. Carefully lift the battery.
 - Depending on the condition of the battery (i.e.: leakage) you may want to wear protective gloves before removal.
 - Do not lift the battery by its connectors or cables.
6. Place the dead battery in a plastic bag.

Important! Recycle the dead battery responsibly. The battery contains lead acid (electrolyte) and must be disposed of properly and legally. It is illegal in most areas to incinerate lead acid batteries or dispose of them in landfills. Take it to a federal or state-approved lead acid battery recycler, such as local automotive battery retailer. Do not throw the battery away with your regular household waste!

7. Replace the battery and reconnect the connectors.
8. Replace the metal battery bracket.
9. Replace the seat.

Problem	Possible Cause	Solution
Vehicle does not run	Battery low on power	Recharge battery.
	Thermal fuse has tripped	Reset fuse, see <Fuse>
	Battery connector or wires are loose	Check that the battery connectors are firmly plugged into each other. If wires are loose around the motor contact your distributor please.
	Battery is dead	Replace battery, contact your distributor please.
	Electrical system is damaged	Contact your distributor please.
	Motor is damaged	Contact your distributor please.
Vehicle does not run very long	Battery is under charged	Check that the battery connectors are firmly plugged into each other when recharging
	Battery is old	Replace battery, contact your distributor please.
Vehicle runs sluggishly	Battery low on power	Recharge battery, contact your distributor please.
	Battery is old	Replace battery, contact your distributor please.
	Vehicle is overload	Reduce weight on vehicle. Maximum user weight is 20 kgs.
	Vehicle is being used in harsh conditions	Avoid using vehicle in harsh conditions ,see <Safety>.
Vehicle needs a push to go forward	Poor contact of wires or connectors	Check that the battery connectors are firmly plugged into each other. If wires are loose around the motor, contact your distributor please.
	“Dead Spot” on motor	A dead spot means the electric power is not being delivered to the terminal connection and the vehicle needs repair. Contact your distributor please.
Loud grinding or clicking noises coming from motor or gear box	Motor or gears are damaged	Contact your distributor please.
Battery will not recharge	Battery connector or adapter connector is loose	Check that the battery connectors are firmly plugged into each other.
	Charger not plugged in	Check that the battery charger is plugged into a working wall outlet.
	Charger is not working	Contact your distributor please.
Charger feels warm when recharging	This is normal and not a cause for concern	

Completely read through this manual and the troubleshooting guide table before calling. If you still need help resolving the problem **Contact your distributor please.**

- It is parents' responsibility to check main parts of the toy before using, Must regularly examine for potential hazard, such as the battery, charge, cable or cord, plug, screws are fastening enclosure of other parts and that in the event of such damage, the toy must not be used until that damage had been properly removed.
- Make sure the plastic parts of the vehicle are not cracked or broken.
- Occasionally use a lightweight oil to lubricate moving parts such as wheels.
- Park the vehicle indoors or cover it with a tarp to protect it from wet weather.
- Keep the vehicle away from sources of heat, such as stoves and heaters. Plastic parts may melt.
- Recharge the battery after each use. Only an adult can handle the battery. Recharge the battery at least once a month when the vehicle Raider is not being used.
- Do not wash the vehicle with a hose. Do not wash the vehicle with soap and water. Do not drive the vehicle in rainy or snowy weather. Water will damage the motor, electric system and battery.
- Clean the vehicle with a soft, dry cloth. To restore shine to plastic parts, use a non-wax furniture polish. Do not use car wax. Do not use abrasive cleaners.
- Do not drive the vehicle in loose dirt, sand or fine gravel which could damage the moving parts, motors or the electric system.
- When not using, all the electrical source should be turn off. Turn off the power switch and disconnect the battery connection.

Our products are suitable for ASTM F963; GB6675; EN71 and EN62115 standard.

If you have any questions, please contact our customer care center.
Our contact details are below:



0044-800-240-4004



enquiries@mhstar.co.uk

IMPORTER ADDRESS:
MH STAR UK LTD
Unit 27, Perivale Park,
Horsenden lane South
Perivale, UB6 7RH
MADE IN CHINA