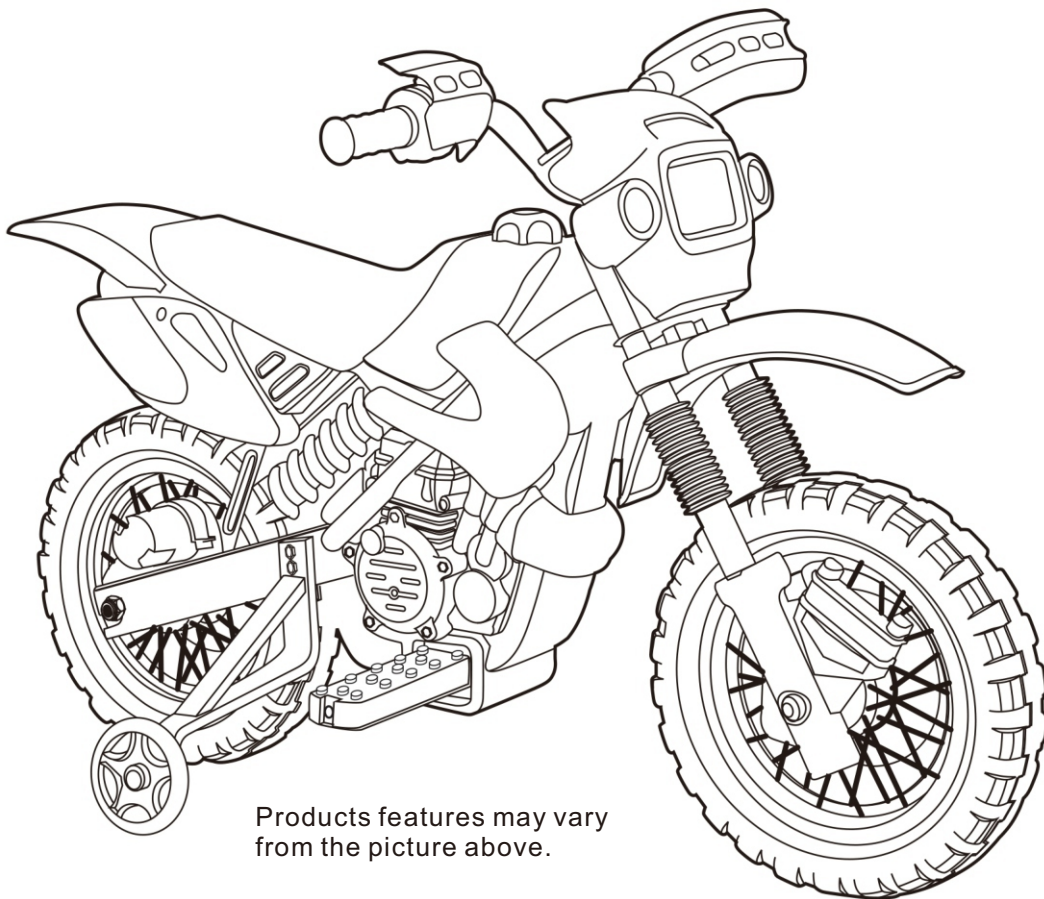


CHILDREN'S ELECTRONIC TOY CAR



Products features may vary
from the picture above.

- Suitable for 3-6 years
- Maximum user weight: 25kg
- Adult assembly required



Please keep this manual for future reference as it contains important information.
Before first time use, charge the battery for at least 4-6 hours.

IMPORTANT, RETAIN FOR FUTURE REFERENCE: READ CAREFULLY

ASSEMBLY INSTRUCTION

Table of Contents

1. *About Your New Vehicle*
2. *Parts List*
3. *Assembly Steps*
4. *How To Operation Your Vehicle*
5. *Charging The Vehicle*
6. *Troubleshooting Guide*
7. *Maintaining Your Vehicle*
8. *Disposal Of Battery*

About Your New Vehicle

Thank you for your purchasing our products, we wants your child to enjoy this product for years to come. Keep these points in mind as you read this guide:

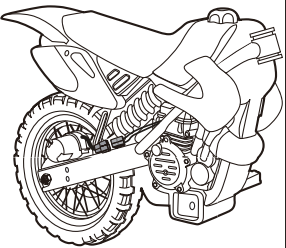
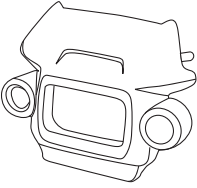

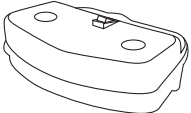
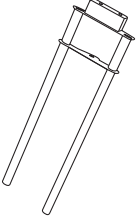


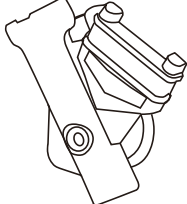
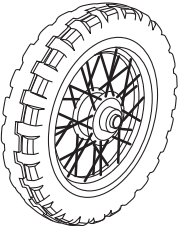
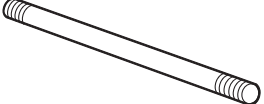
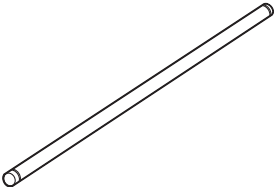
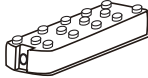
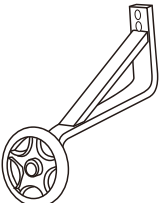

Suitable age:	3-6 years	Battery:	6V 4.0AH x1
Load Capacity:	Under 25KGS	Size of car:	102*53*66CM
Speed:	2KM/H	Power way:	Charging type
Charger:	Input: depend on local voltage Output: DC 6V500mA	Average battery life:	Approximately 300 times
Charge time:	8-12 Hours	Fuse:	5A

WARNING!


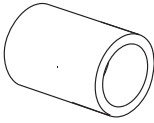
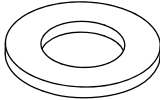

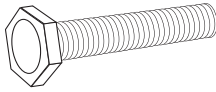


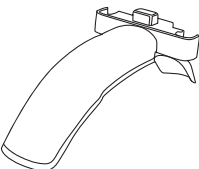
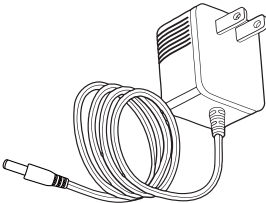
FOR THE SAFETY OF YOUR CHILD, PLEASE READ ALL WARNINGS AND ASSEMBLY/USE INSTRUCTIONS. KEEP THIS GUIDE FOR FUTURE REFERENCE.

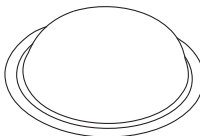
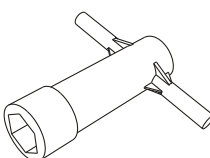
- ADULT ASSEMBLY REQUIRED . The product contains small parts, which are for adult assembly only. Keep small children away when assembling.
- Always remove protective material and poly bags and dispose before assembly

Parts List

PART NO.	PART NAME	PICTURE	Q'ty (pcs)	REMARKS	PART NO.	PART NAME	PICTURE	Q'ty (pcs)	REMARKS
1	Vehicle body		1		2	Face guard		1	
3	Handle bar		1		4	Dashboard		1	
5	Front fork		1		6	Shock absorber		2	
7	Wheel cover(L)		1	Placed in the assembly package	8	Wheel cover(R)		1	
9	Front wheel		1		10	Front axle		1	
11	Foot board pole		1		12	Foot board		2	
13	Side wheel		2		14	Ø10 Lock nut		3	

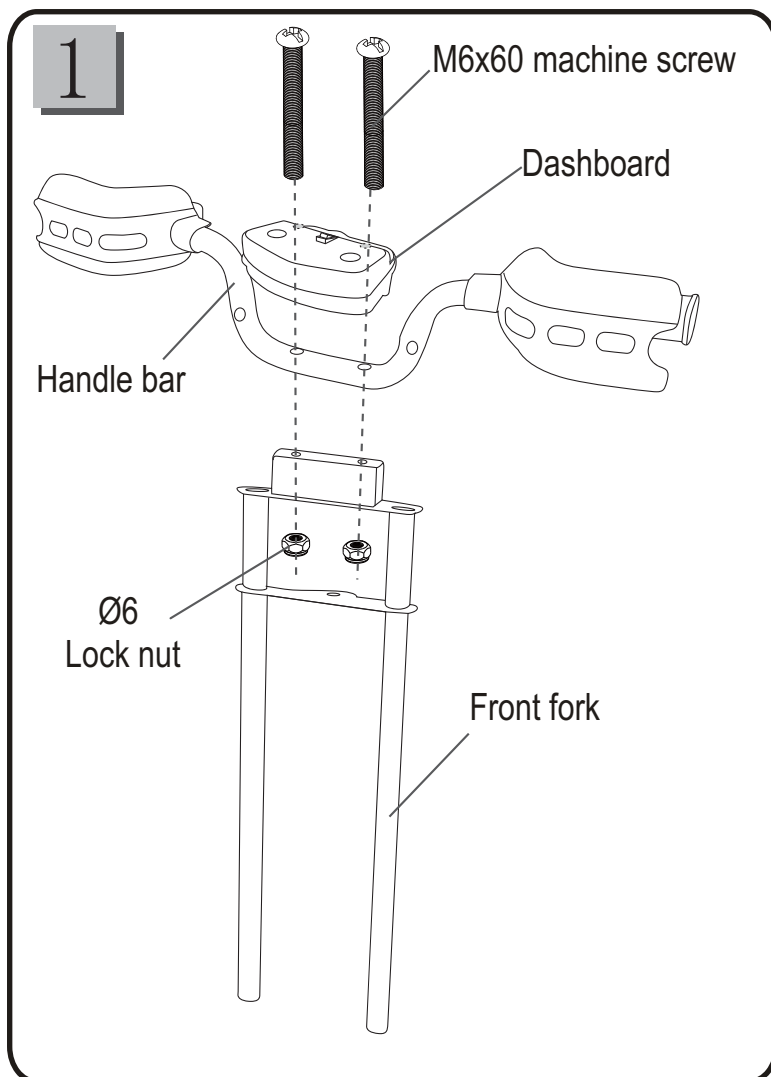
Parts List

PART NO.	PART NAME	PICTURE	Q'ty (pcs)	REMARKS	PART NO.	PART NAME	PICTURE	Q'ty (pcs)	REMARKS
15	Ø6 Lock nut		2		16	Ø10 bushing		2	
17	Ø10 washer		2		18	M10x90 bolt		1	
19	M6x20 bolt		4		20	M6x60 machine screw		2	
21	M4x12 screw		2		22	Front fender		1	
23	Charger		1						

Assembly package									
PART NO.	PART NAME	PICTURE	Q'ty (pcs)	REMARKS	PART NO.	PART NAME	PICTURE	Q'ty (pcs)	REMARKS
24	Ø8 cap nut		3	1pcs for spare	25	Spanner		2	

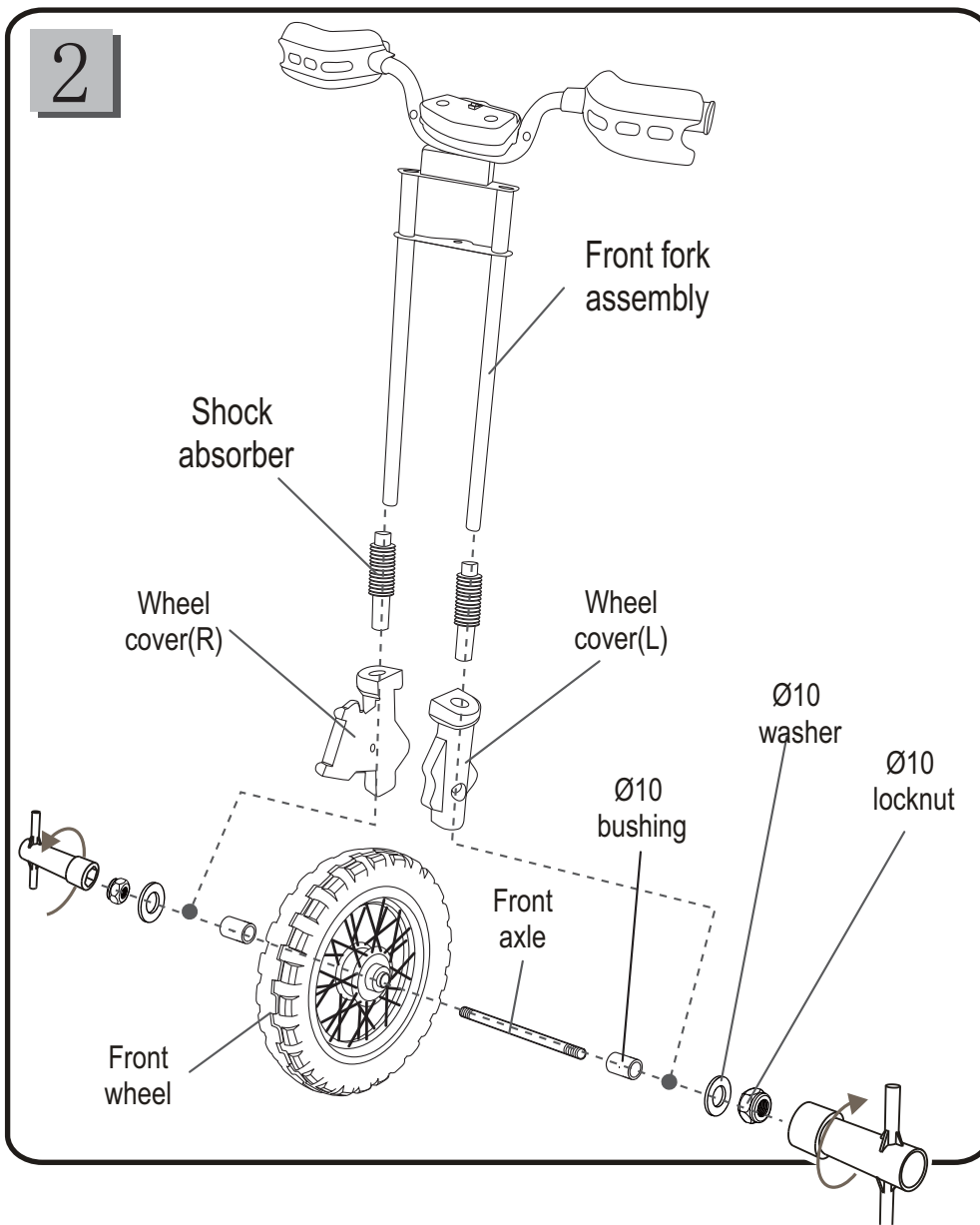
Assembly Steps

- **Your new vehicle requires adult assembly.** Please set aside at least 40 minutes for assembly. Children can be harmed by small parts, sharp edges and sharp points in the vehicle's unassembled state. Care should be taken in unpacking and assembly of the vehicle. Children should not handle parts, or help in assembly of the vehicle.
- Please identify all parts before assembly and save all packaging material until assembly is complete to ensure that no parts are discarded.
- Assembly tools for need(**NOT INCLUDED**): screwdriver, hammer and spanner.

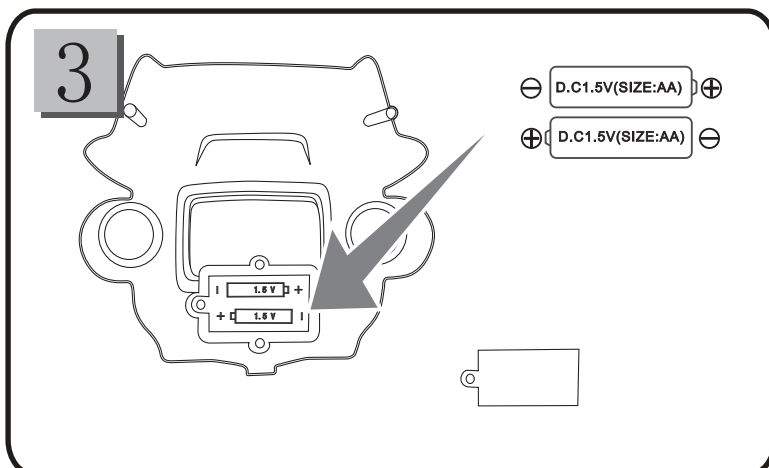


- Remove all the parts from the front fork.
- Using the M6x60 machine screw to fit the dashboard, Handle bar and front fork, and tighten the Ø6 locknut with a screwdriver.

Assembly Steps



- Slide two shock absorbers onto the front fork assembly.
- Slide the wheel cover(R) and wheel cover(L) onto the front fork assembly.
- Insert two Ø10 bushing into the front wheel.
- Fit the front wheel into the front fork assembly.
- Insert the front axle through the wheel covers, front fork assembly, Ø10 bushing and front wheel.
- Fit a Ø10 washer onto the front axle. Tighten the Ø10 locknut(DO NOT over tighten). Repeat for other side to secure the front wheel.



- Remove the screw at the back of the face guard with a screwdriver, and remove the battery cover.
- Insert 2 AA(LR6)alkaline batteries. Replace the battery cover.

NOTE: The product does not included AA(LR6)alkaline batteries.

Assembly Steps

BATTERY INFORMATION

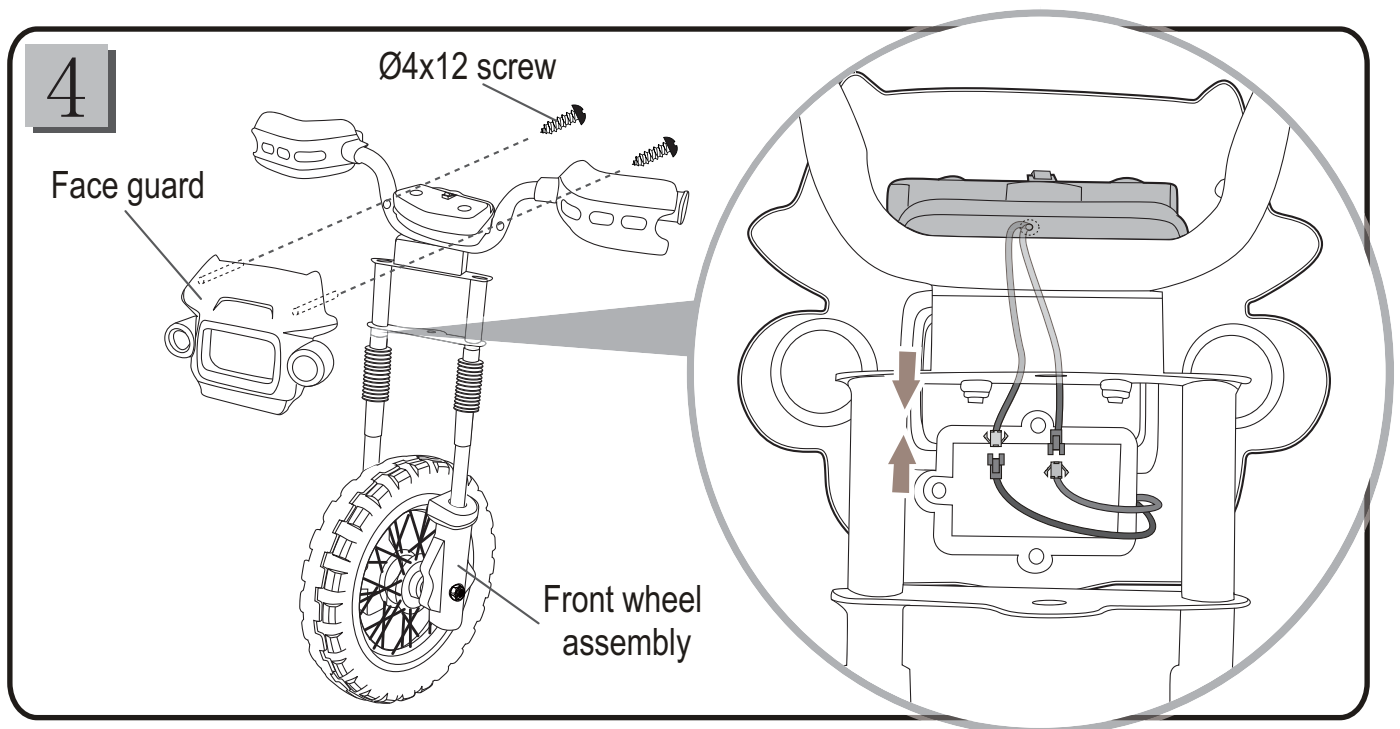
Batteries may leak fluids that can cause chemical burn injury or ruin your product. To avoid battery leakage: Do not mix old and new batteries or batteries of different types: alkaline, standard (carbon-zinc) or rechargeable (nickel-cadmium).

Insert batteries as indicated inside the battery compartment.

Remove batteries during long periods of non-use. Always remove exhausted batteries from the product.

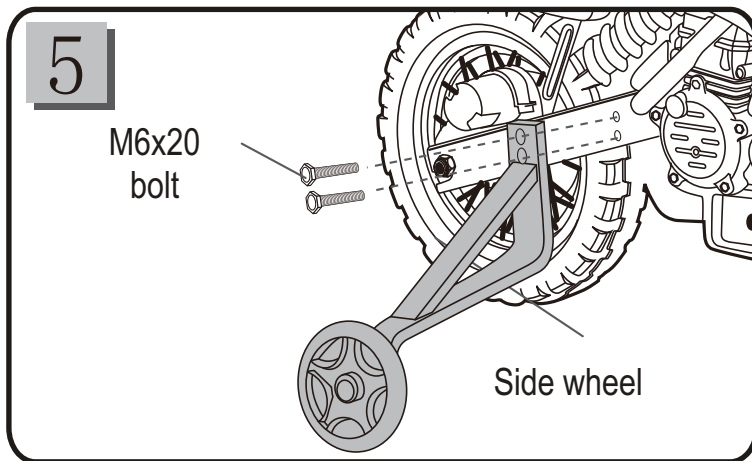
Dispose of batteries safely. Do not dispose of batteries in a fire. The batteries may explode or leak.

- Never short-circuit the battery terminals.
- Non-rechargeable batteries are not to be recharged.
- Use only batteries of the same or equivalent type as recommended.
- Do not charge non-rechargeable batteries.
- Remove rechargeable batteries from the product before charging.
- If removable rechargeable batteries are used, they are only to be charged under adult supervision.

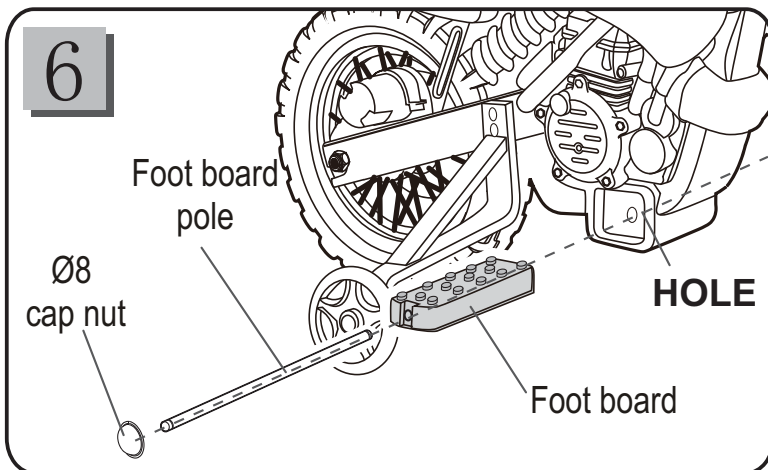


- Plug the connectors on the dashboard into the connectors at the back of the face guard.
- Fit and hold the faceguard against the front fork wheel assembly.
- Insert two Ø4x12 screw through the front fork wheel assembly and into the face guard.
- Tighten the screws with a screwdriver. DO NOT over tighten.

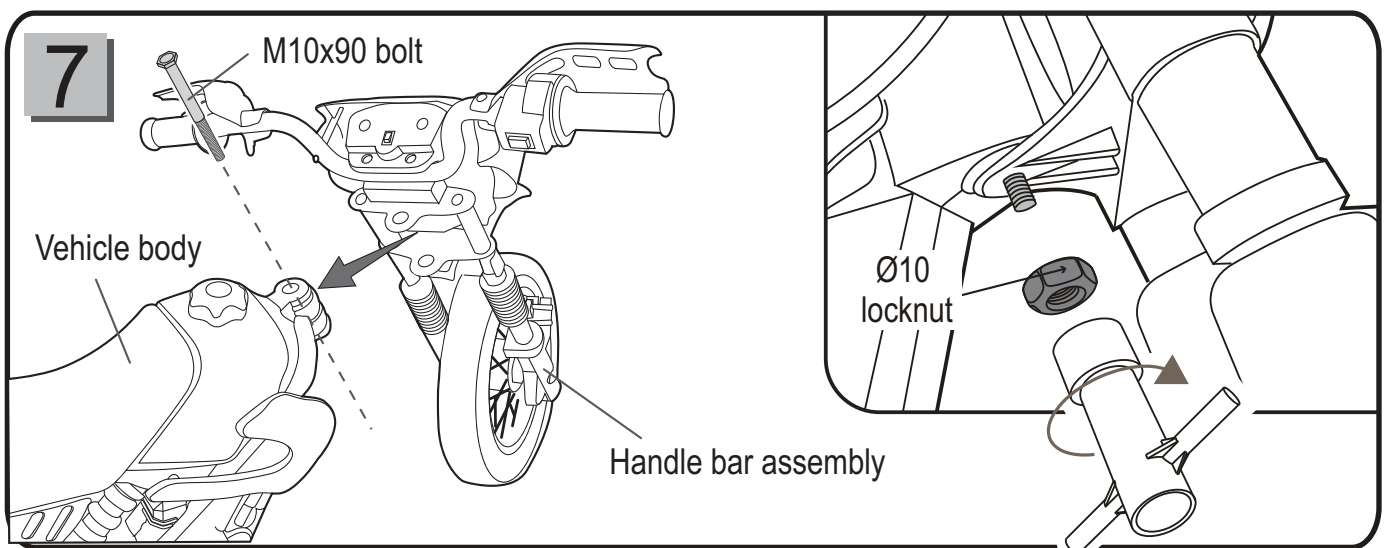
Assembly Steps



- Fit and hold the side wheel against the vehicle body.
- Insert two M6x20 bolt through the side wheel and into the vehicle body.
- Tighten the bolts with a spanner. DO NOT over tighten.
- Repeat for the other side.

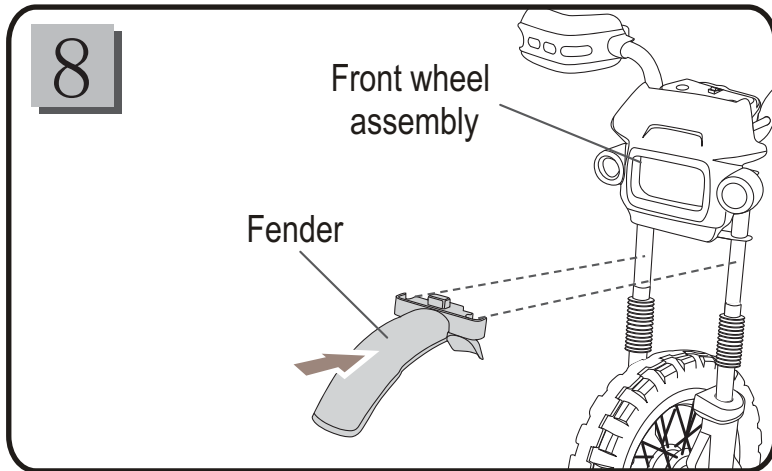


- Fit a Ø8 cap nut onto the end of the foot board pole with a hammer.
- Fit and hold the foot board against the vehicle body. Make sure the foot board match to the vehicle body.
- Insert the foot board pole through the hole in the foot board and the hole in the vehicle body.
- Fit the other foot board onto the foot board pole.
- Fit the other Ø8 cap nut onto the end of the foot board pole with a hammer.

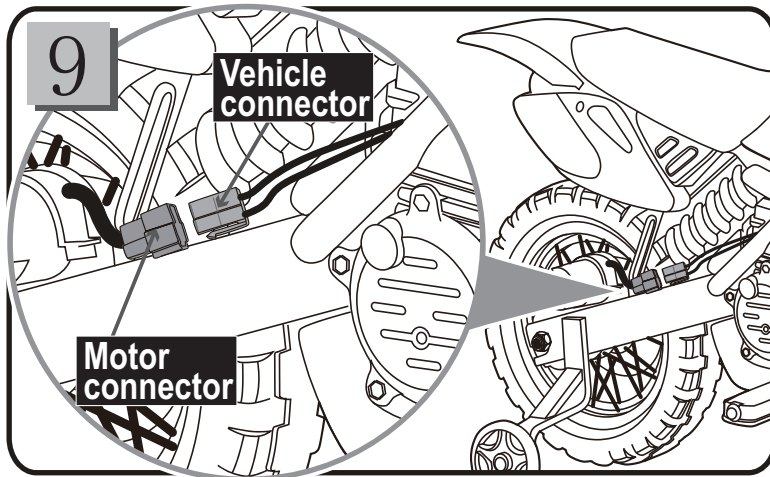


- Fit handle bar to the vehicle body.
- Insert the M10x90 bolt through the hole in the handle bar assembly and the hole in the vehicle body.
- Tighten the Ø10 locknut with a spanner.

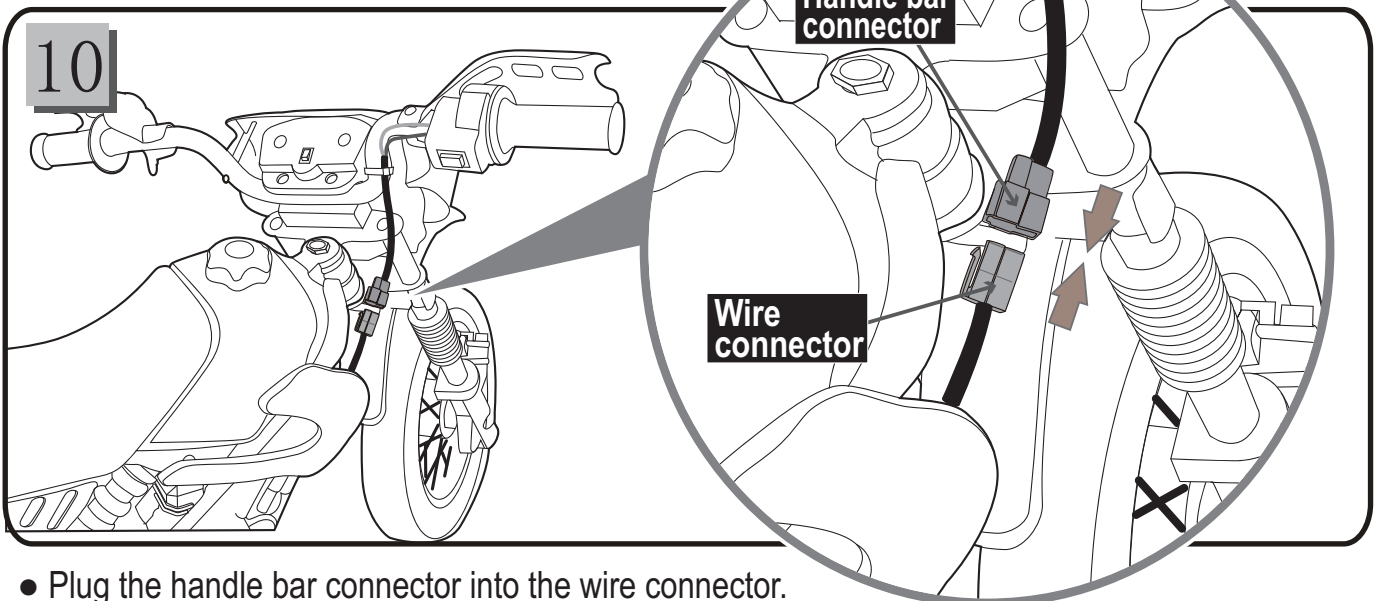
Assembly Steps



- Fit the fender to the front wheel assembly.
- Push until you hear it click into place.



- Plug the motor connector into the vehicle connector.



- Plug the handle bar connector into the wire connector.

How To Operate Your Vehicle

WARNING!

PREVENT INJURIES AND DEATHS:

- **NEVER LEAVE CHILD UNATTENDED. DIRECT ADULT SUPERVISION IS REQUIRED.** Always keep child in view when child is in vehicle.
- Never use in roadways, near cars, on or near steep inclines or steps, swimming pools or other bodies of water.
- Always wear shoes.
- Always sit on the seat.
- Suitable for age 3-6 years; Maximum user weight is 25kgs.

Must confirm before using that following work which is already finished:

- **Important!** Before using the vehicle for the first time, the battery needs to be charged for 4 to 6 hours, no more than 10 hours. Only an adult can charge or recharge the battery.
- Finishing the complete car to assemble according to the steps that the manual described. The plug-in package of storage battery has already been inserted well, the power has already been put through.
- All places to need the screw guarantee the screw has already been locked.

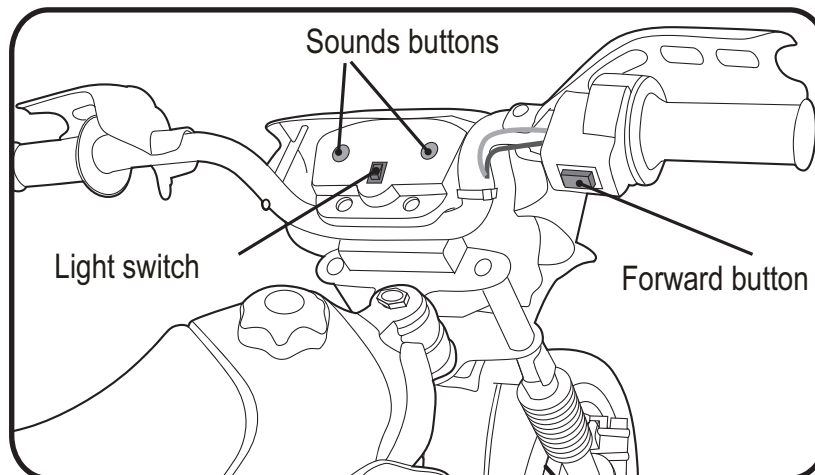
Rules for Safe Riding

READ THESE RULES ALOUD TO YOUR CHILD AND THEIR PLAYMATES AND MAKE SURE THEY UNDERSTAND THEM!

- Always wear a helmet when riding.
- Direct Adult Supervision Required.
- Keep Children within Safe Riding Areas:
- Never use in roadway, near motor vehicles, on lawn space, on or near steep inclines or steps, swimming pools or other bodies of water;
- Use the toy only on flat surfaces. such as inside your house, garden or playground.
- Never use in the dark. A child could encounter unexpected obstacles and have an accident. Operate the vehicle only in the daytime or a well-lit area.
- It is not recommended to drive the vehicle on wet surfaces or on lopes of greater than 15 degrees.
- Do not use this vehicle outdoors when it is raining or snowing.
- Make sure you come to a complete stop before changing directions from forward to back.
- Please follow the correct weight and age limits allowed to drive this vehicle.
- It is prohibited to change the circuit or add other electric parts
- Inspect wires and connections of the vehicle periodically.
- In order to avoid accidents, please ensure the vehicle is safe before riding.
- Do not let any child touch the wheels or be near them when the car is moving .

How To Operate Your Vehicle

Use Operation



FORWARD

Press the "Forward button" on the handle bar, the vehicle goes forward.

STOP

Release the "Forward button" to stop the vehicle.

SOUNDS BUTTONS

Press the buttons on the handle bar for sound playing.

Charging Your Vehicle

ONLY AN ADULT CAN CHARGE AND RECHARGE THE BATTERY!

WARNING!

PREVENT FIRE AND ELECTRIC SHOCK:

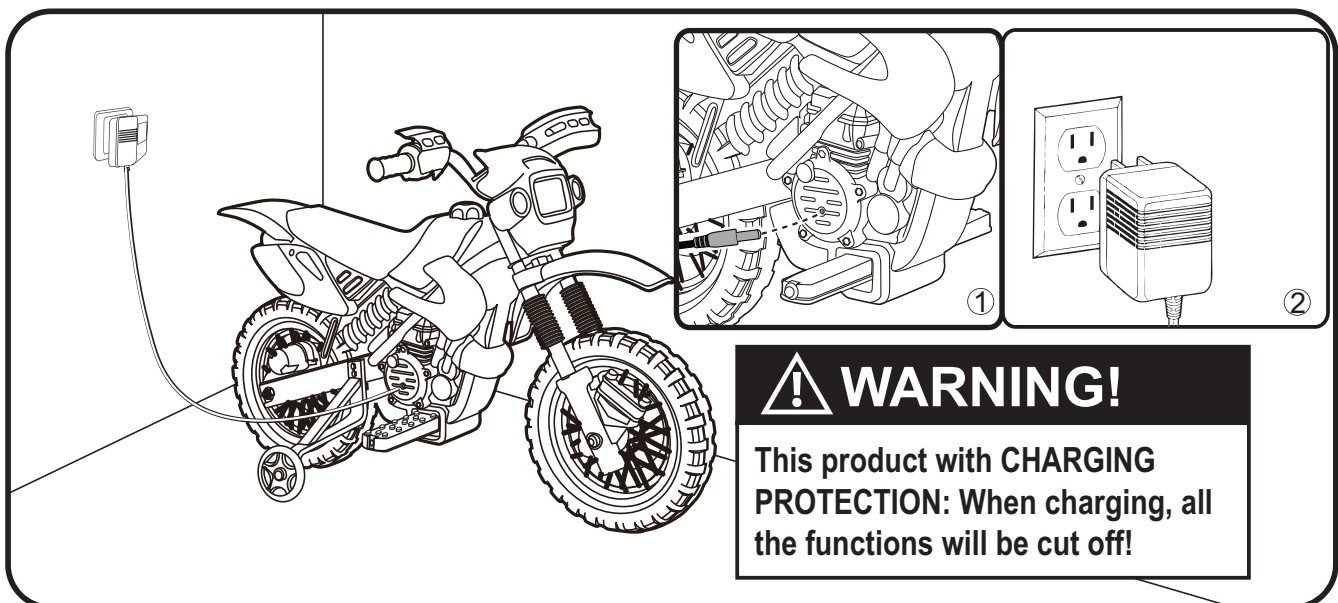
- Use the only rechargeable battery and charger supplied with your vehicle. NEVER substitute the battery or the charger with another brand. Using another battery or charger may cause a fire or explosion.
- Do not use the battery or charger for any other product. Overheating, fire or explosion could occur.
- NEVER modify the electric circuit system. Tampering with the electric system may cause a shock, fire or explosion or may permanently damage the system.
- Do not allow direct contact between battery terminals. Fire or explosion can occur.
- Do not allow any type of liquid on the battery or its components.
- Explosive gasses are created during charging. Do not charge near heat or flammable materials. Charge the battery in a well-ventilated area ONLY.
- NEVER pick up the battery by the wires or charger. Damage can occur to the battery and may cause a fire. Pick up the battery by the case ONLY.
- Charge the battery in a dry area ONLY.
- Battery posts, terminals and related accessories contain lead and lead compounds, chemicals known to the State of California to cause cancer and reproductive harm. Wash hands after

Charging Your Vehicle

handling

- Do not open the battery. Battery contains lead acid and other materials that are toxic and corrosive.
- Do not open the charger. Exposed wiring and circuitry inside case may cause electric shock. • Only adults may handle or charge the battery. NEVER allow child to handle or charge the battery. Battery is heavy and contains lead acid (electrolyte).
- Do not drop the battery. Permanent damage to the battery could occur or cause serious injury.
- Before charging the battery, check for wear or damage to the battery, charger, its supply cord and the connectors. DO NOT charge the battery if any damage to parts has occurred.
- Do not allow the battery to drain completely. Recharge the battery after each use or once a month if not used regularly.
- Do not charge battery upside down.
- Always secure the battery with the bracket. Battery can fall out and injure a child if vehicle tips over.

- The charging input socket is **ABOVE THE RIGHT SIDE FOOT BOARD**.
- The **POWER SWITCH** must be turned in **OFF** position when charging.
- Before the first use, you should charge the battery for 4-6 hours. Do not recharge the battery for more than 10 hours to avoid overheating the charger.
- When the vehicle begins to run slowly, recharge the battery.
- After each use or once a month minimum recharge time as 8 to 12 hours, less than 20 hours at most.



1. Plug the charger port into the input socket(the socket is above the right side foot board)
2. Plug the charger plug into a wall outlet. The battery will begin charging.

Troubleshooting Guide

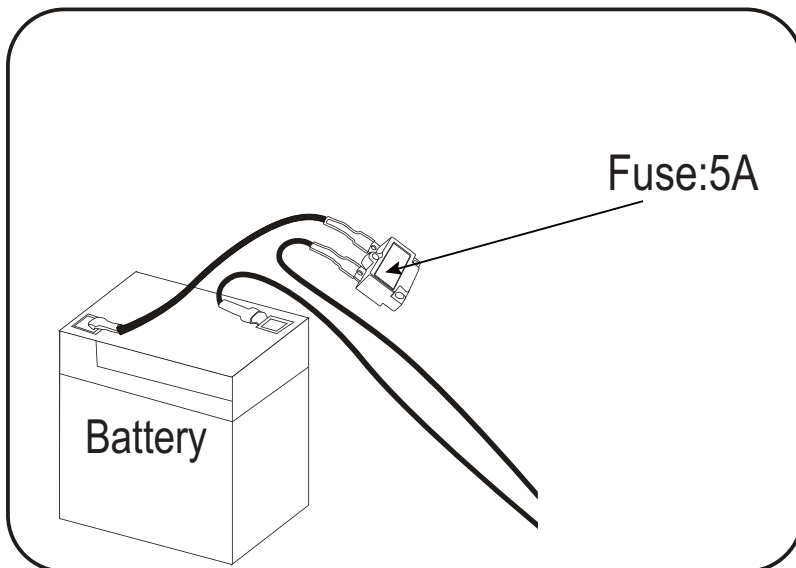
■ PROBLEM: The vehicle does not run

PROBLEM CAUSE: The battery may low on power.

After each use, or once a month minimum, charge the battery for a full 10 hours. Do not leave the battery on the charger for more than 20 hours.

POSSIBLE CAUSE: Thermal fuse has tripped.

The vehicle is equipped with a self-resetting fuse. When the vehicle is overloaded or operated incorrectly; the self-resetting fuse will be cut off for 15-20seconds before becoming operational again. The self-resetting fuse was **covered with the engine** (Refer to the picture.)



To avoid the fuse cut off the power, follow these guidelines:

- DO NOT overload the vehicle, Maximum weight allowed :25kg
- DO NOT tow anything behind the vehicle.
- DO NOT drive up steep slopes.
- DO NOT drive into fixed objects, which may cause the wheels to spin, causing the motor to overheat.
- DO NOT drive in very hot weather, components may overheat.
- DO NOT tamper with the electric system, Doing so may create a short circuit, causing the fuse to trip.

POSSIBLE CAUSE: Wheel nuts are loose.

If the nuts are not tight, the wheels will not engage the forward gears. Tighten the nut with the nut wrench.

POSSIBLE CAUSE: Battery connector or wires are loose.

Make Sure the battery connectors are firmly plugged in to each other.

POSSIBLE CAUSE: Battery is dead.

Have you properly maintained the battery according to the directions? Is the battery old? Your battery may need to be replaced.

POSSIBLE CAUSE: Electric system is damaged.

Water may have corroded the system, or loose dirt, gravel or sand might have jammed the switch.

POSSIBLE CAUSE: Motor is damaged.

The motor needs professional repair.

■ PROBLEM: The battery will not recharge.

POSSIBLE CAUSE: Battery connector or adapter connector is loose.

Make sure the battery connector and adapter connector are firmly plugged together.

POSSIBLE CAUSE: Charger is not plugged in.

Make sure the charger is plugged into the wall outlet and the power flow to the outlet is on.

POSSIBLE CAUSE: Charger is not working.

Is the charger warm while charging? If not, the charger may be broken and may need to be replaced.

Troubleshooting Guide

■ PROBLEM: The vehicle does not run very long.

POSSIBLE CAUSE: Battery may be undercharged.

You may not be charging the battery long enough. After each use, or once a month minimum, charge the battery for 8 to 10 hours. Do not leave the battery on the charger for more than 20 hours.

POSSIBLE CAUSE: Battery is old.

The battery will eventually lose the ability to hold a charge. Depending on the amount of use, and varying conditions, the battery should operate for one to three years. Replace the battery with a new one.

■ PROBLEM: Battery buzzes or gurgles when charging.

This is normal and not a cause for concern. It may also be silent when charging, which is also normal.

■ PROBLEM: Charger feels warm when recharging battery.

This is normal and not a cause for concern.

Maintaining Your Vehicle

- It is parents' responsibility to check main parts of the toy before using, Must regularly examine for potential hazard, such as the battery, charge, cable or cord, plug, screws are fastening enclosure of other parts and that in the event of such damage, the toy must not be until that damage had been properly removed.
- Make sure the plastic parts of the vehicle are not cracked or broken.
- Occasionally use a lightweight oil to lubricate moving parts such as wheels.
- Park the vehicle indoors or cover it with a tarp to protect it from wet weather.
- Keep the vehicle away from sources of heat, such as stoves and heaters. Plastic parts may melt.
- Recharge the battery after each use. Only an adult can handle the battery Recharge the battery at least once a month when the vehicle Raider is not being used.
- Do not wash the vehicle with a hose. Do not wash the vehicle with soap and water. Do not drive the vehicle in rainy or snowy weather. Water will damage the motor, electric system and battery.
- Clean the vehicle with a soft, dry cloth. To restore shine to plastic parts, use a non-wax furniture polish. Do not use car wax. Do not use abrasive cleaners.
- Do not drive the vehicle in loose dirt, sand or fine gravel which could damage moving parts, motors or the electric system.
- When not using, all the electrical source should be turn off. Turn off the power switch and disconnect the battery connection.

Disposal Of Battery

Disposal Of Battery



- Your sealed lead-acid battery must be recycled or disposed of in an environmentally sound manner.
- Do not dispose of your lead-acid battery in a fire. The battery may explode or leak.
- Do not dispose of a lead-acid battery in your regular, household trash. The incineration, land filling or mixing of sealed lead-acid batteries with household trash is prohibited by law.
- Return an exhausted battery to your local approved lead-acid battery recycle, such as a local seller of automotive batteries.
- Contact your local waste management officials for other information regarding the environmentally sound recycling and disposal of lead-acid batteries.

Our products are suitable for
ASTM F963; GB6675; EN71 and EN62115 standard.

WARNING!

- This toy should be used with caution since skill is required to avoid falls or collisions causing injury to the user or third parties.
- Not to be used in traffic.
- This toy has no brake.
- **CHOKING HAZARD** - Small parts. Not suitable for children under 36 months.



If you have any questions, please contact our customer care center.

Our contact details are below:



0044-800-240-4004



enquiries@mhstar.co.uk

IMPORTER ADDRESS:

MH STAR UK LTD
Unit 27, Perivale Park,
Horsenden lane South
Perivale, UB6 7RH
MADE IN CHINA

Model identify	HK050V-060050	
Input voltage	100-240	V
Input AC frequency	50/60	Hz
Output voltage	6.0	V
Output current	0.5	A
Output power	3.0	W
Average active efficiency	74.9	%
Efficiency at low load (10 %)	61.4	%
No-load power consumption	0.07	W

