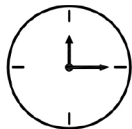
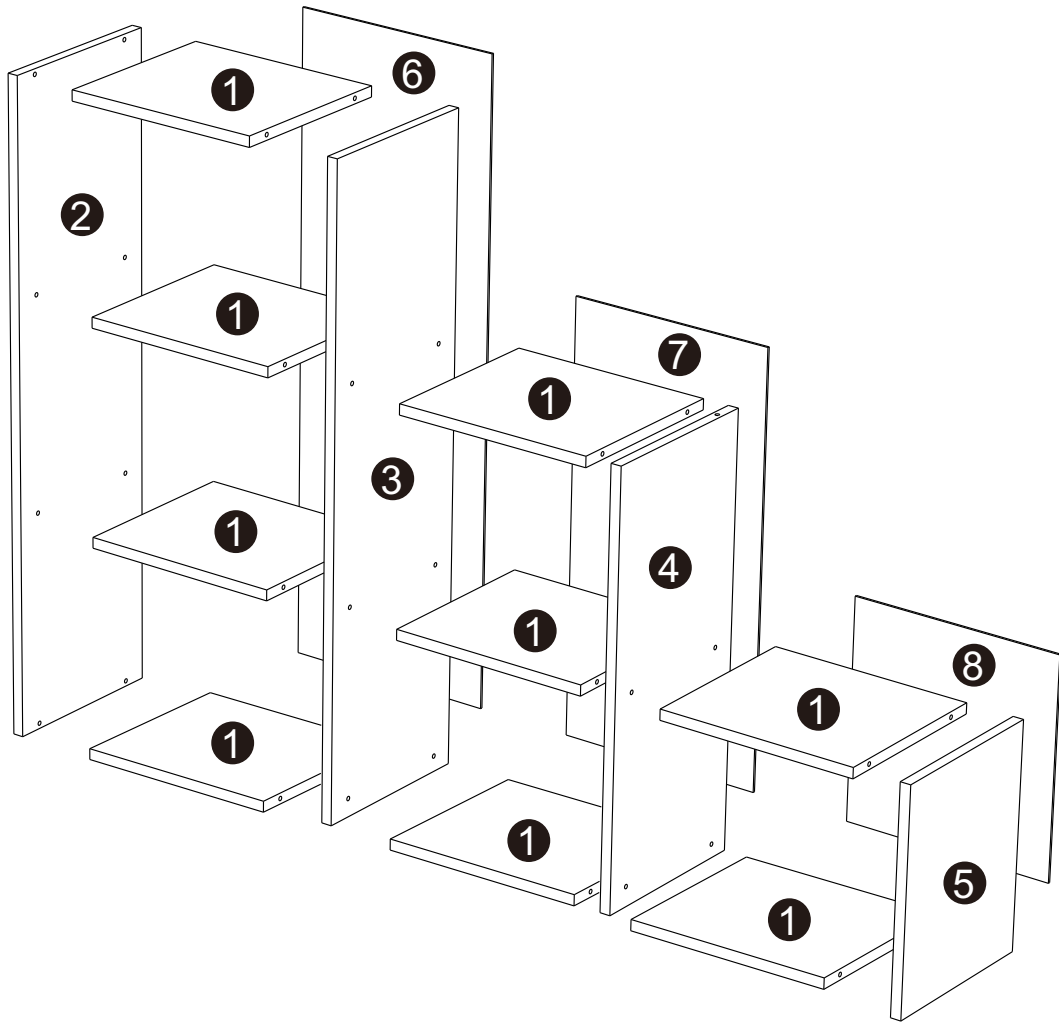
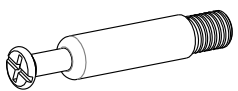



2 PERS.

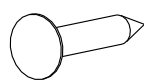


60 MIN

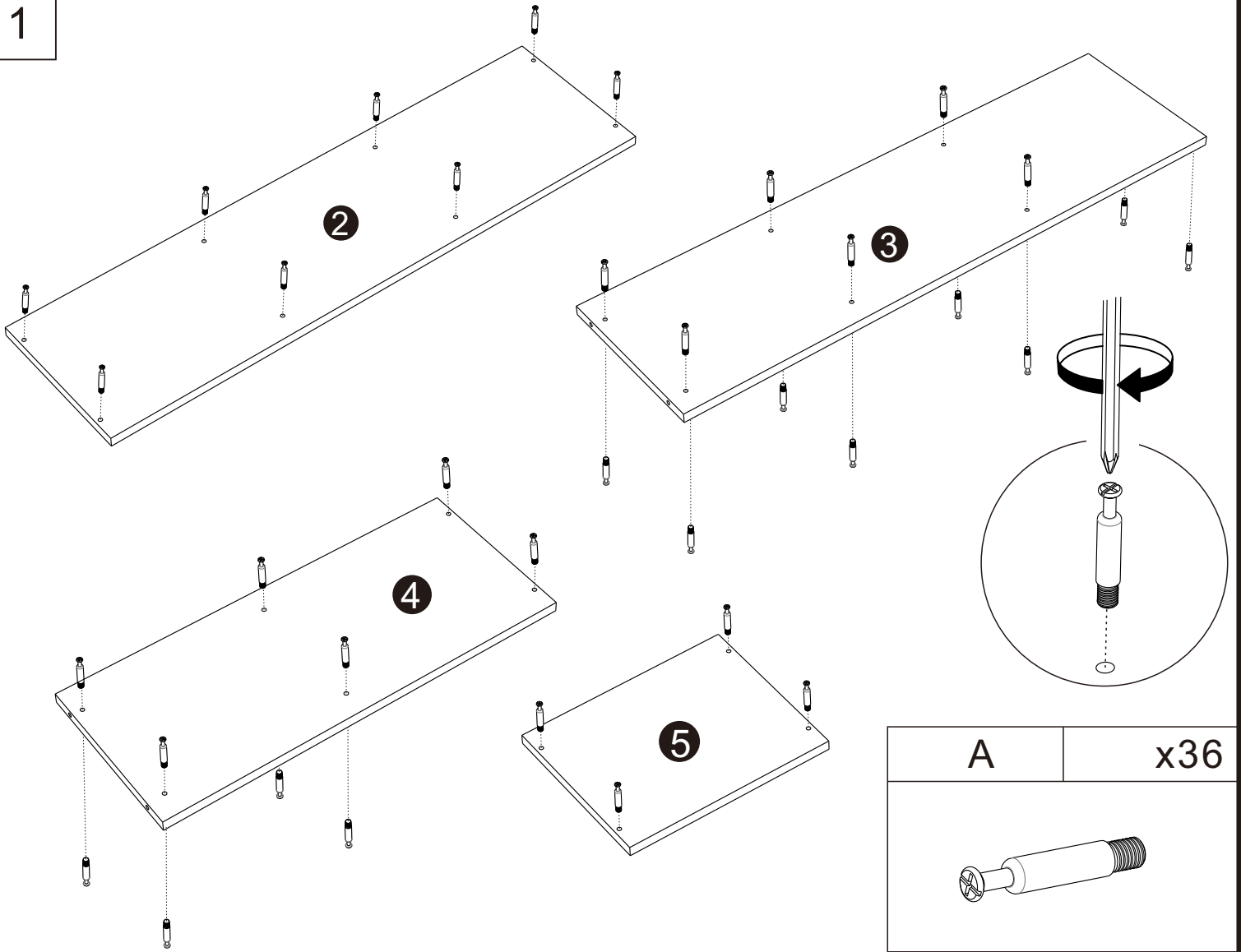


A	x39
	

B	x39
	

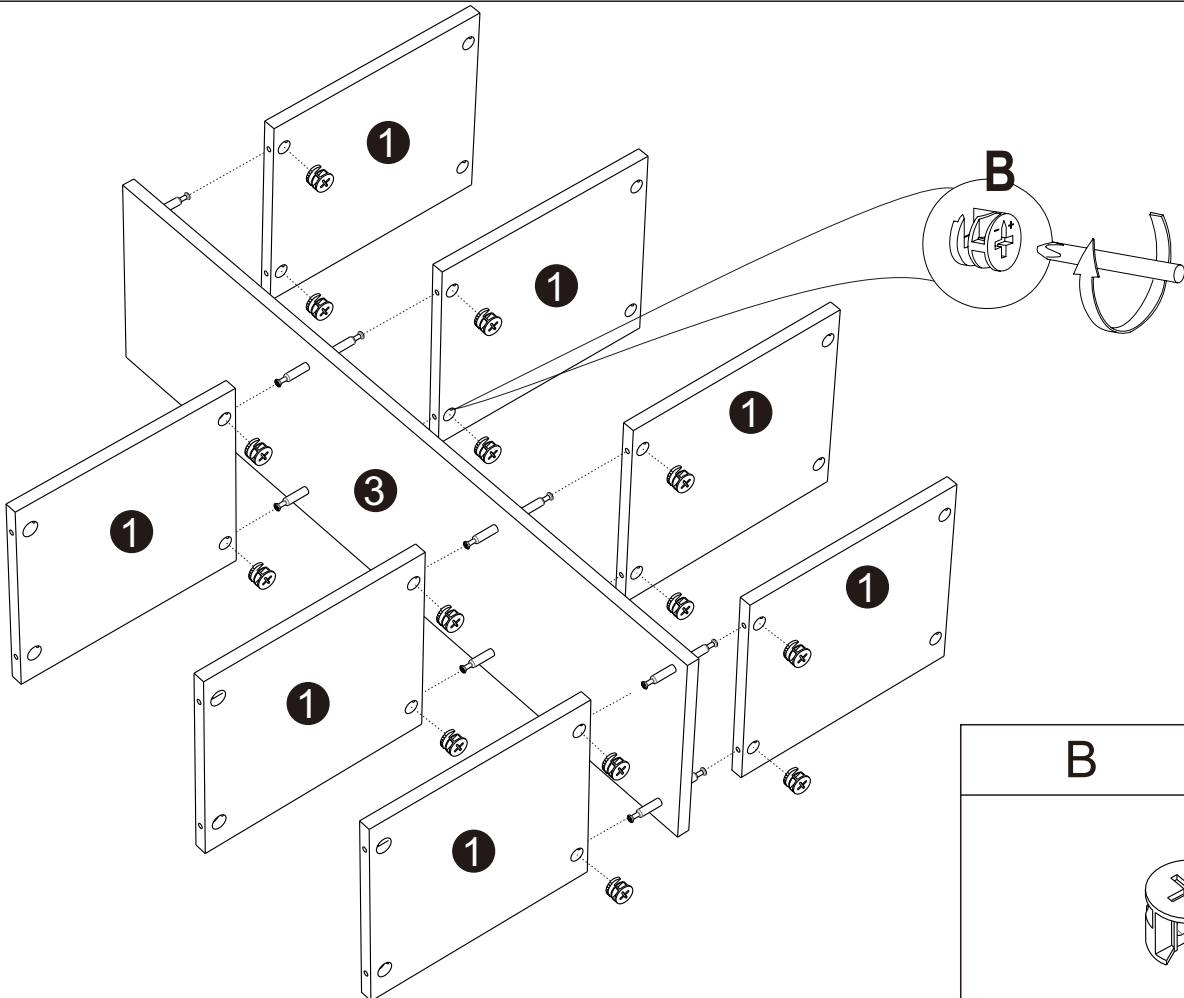
C	x57
	

1



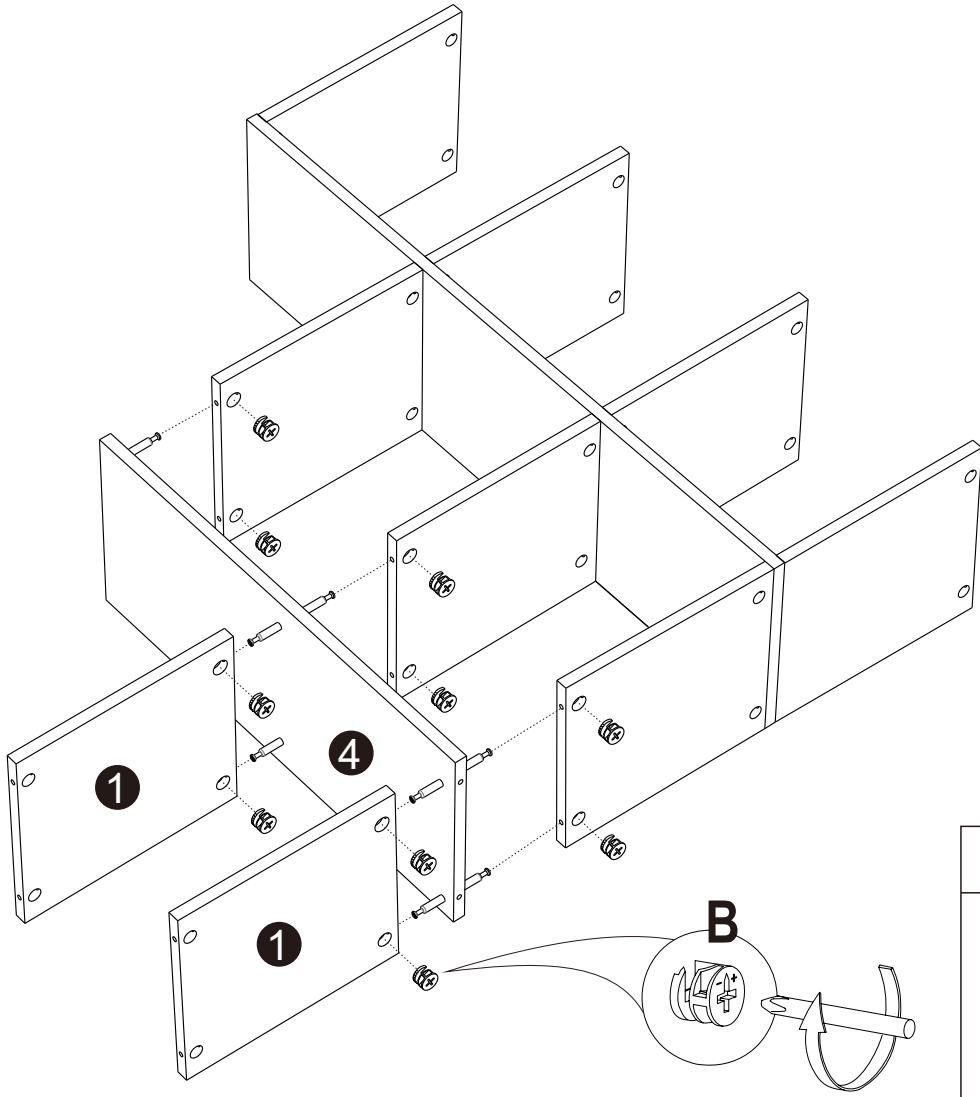
A	x36

2



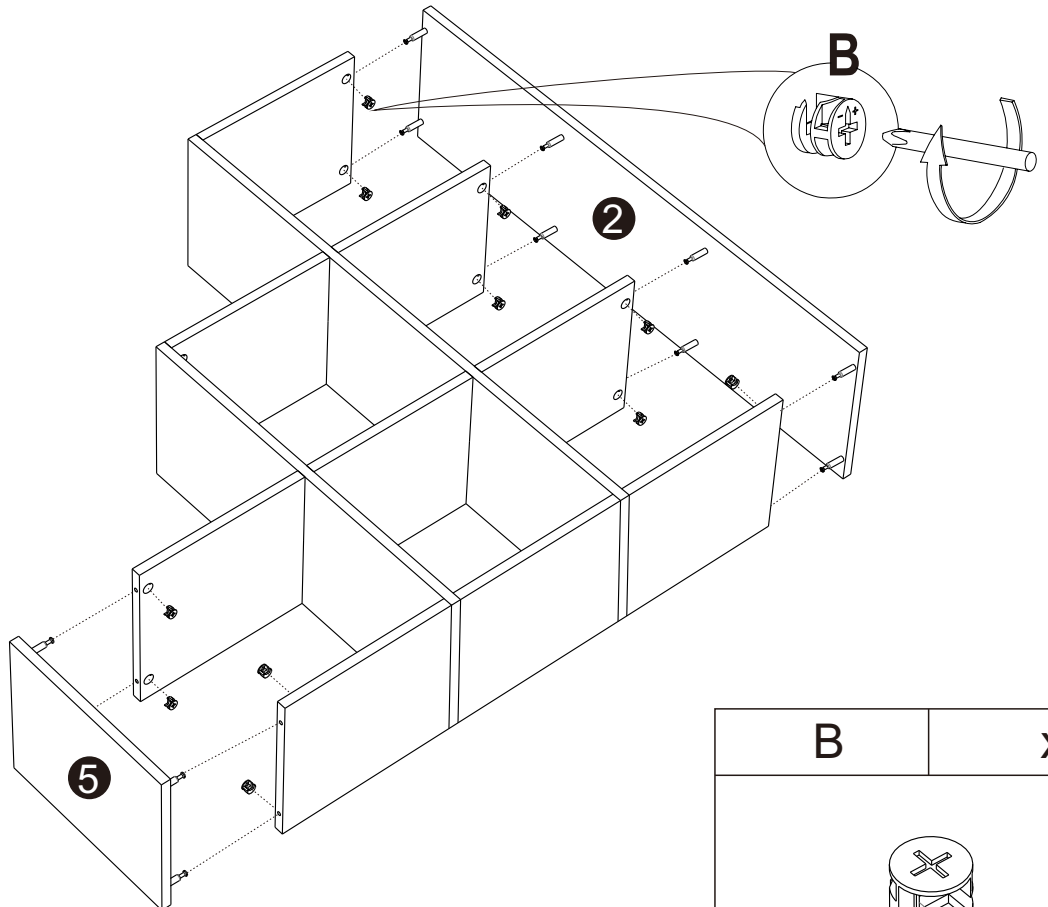
B	x14

3



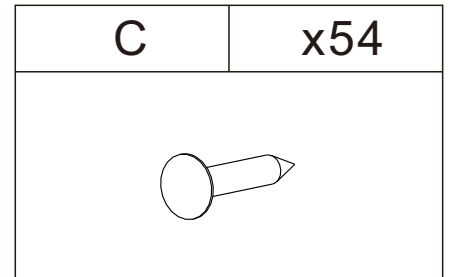
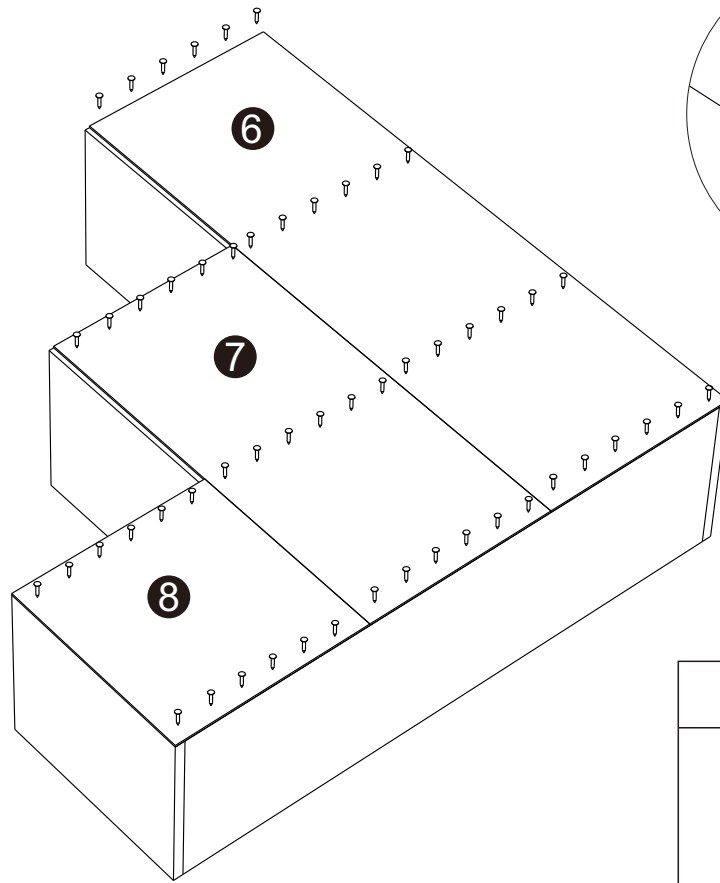
B	x10

4



B	x12

5



6

