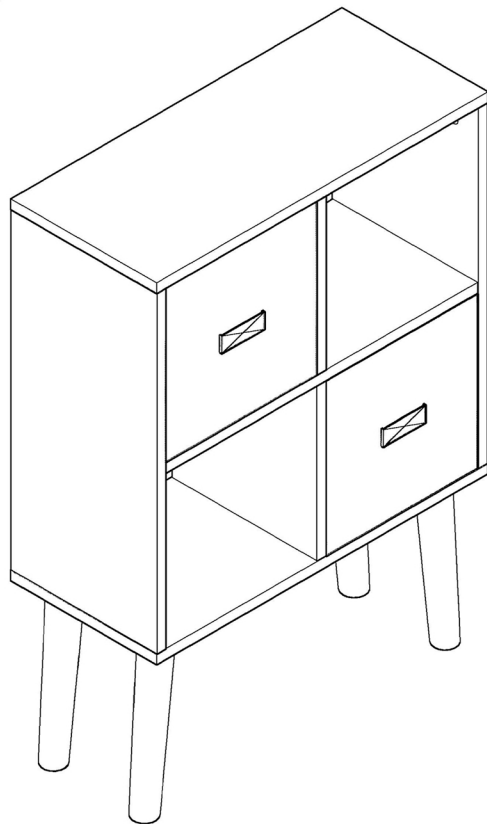
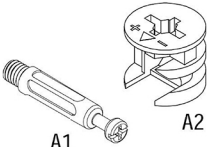
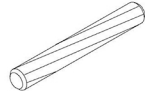

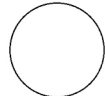


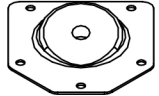


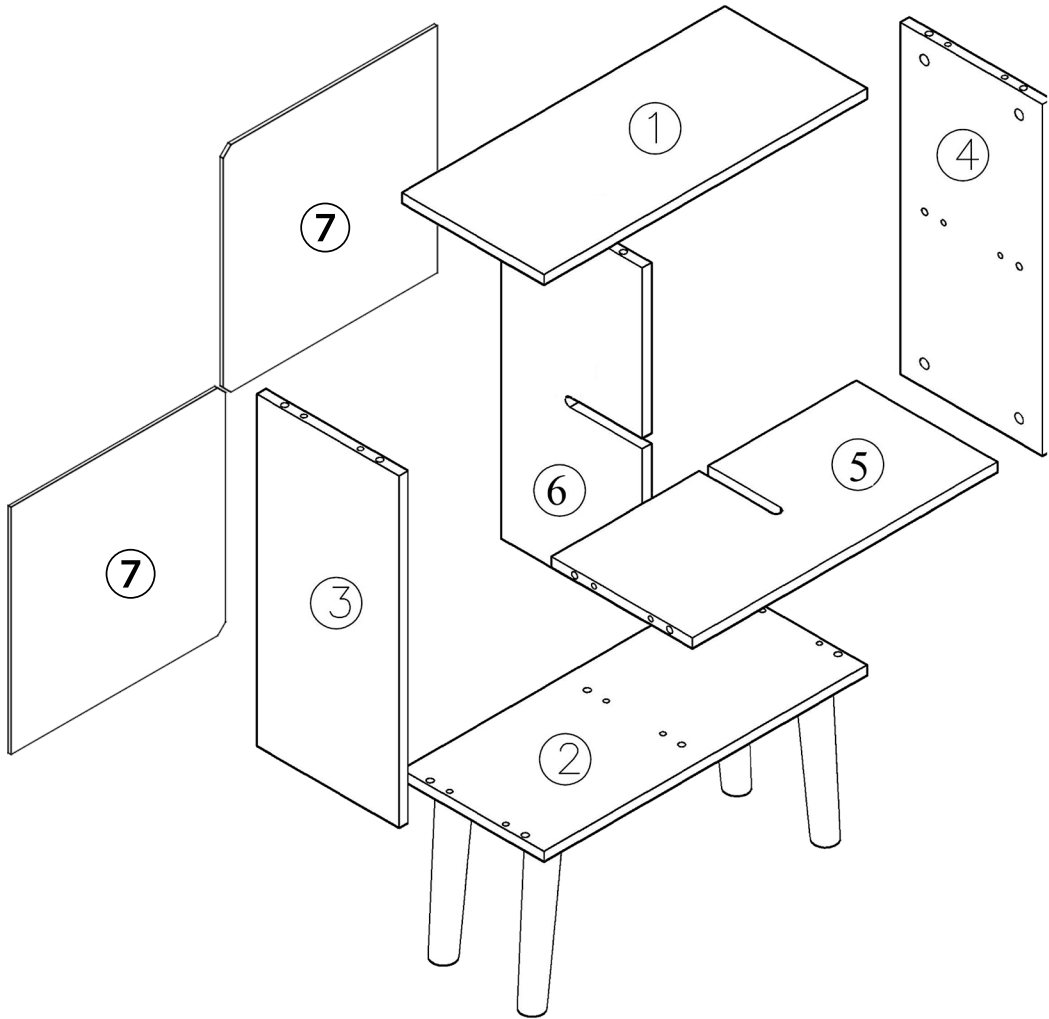


833-755

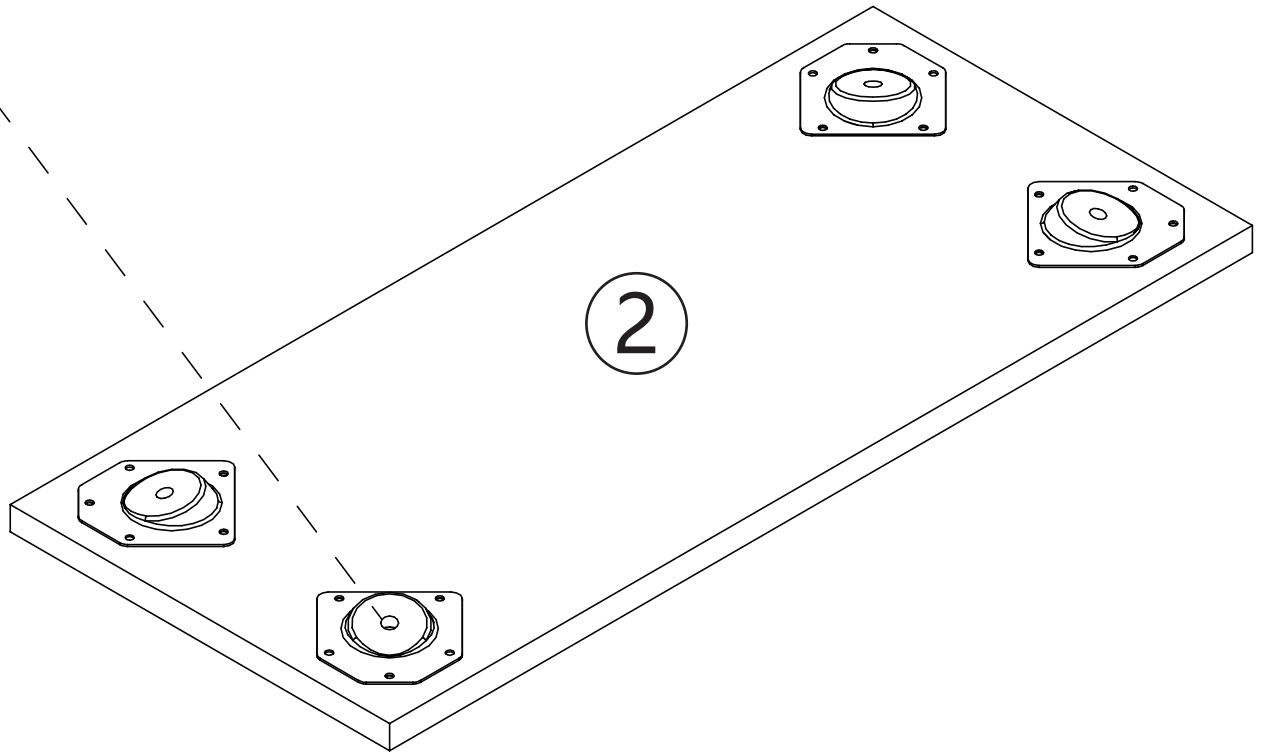
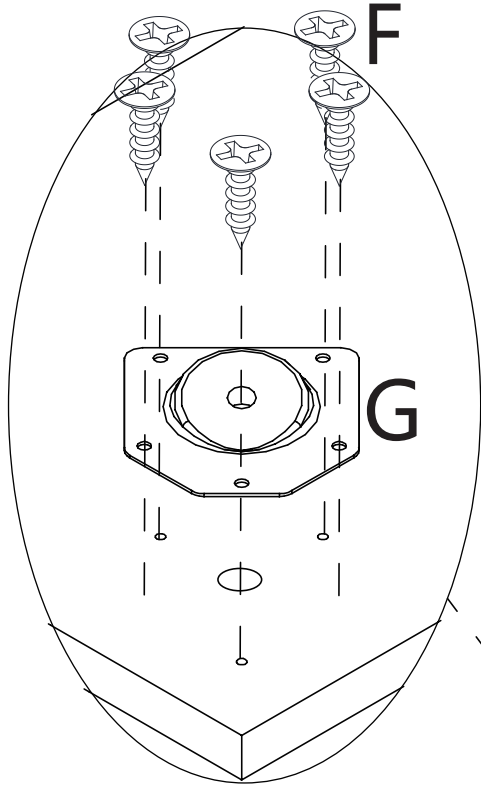
INcp151V02_GL



A 16sets  A1 A2	B 16pcs 
C 4pcs 	D 16pcs 
E 24pcs 	F 20pcs 
G 4pcs 	

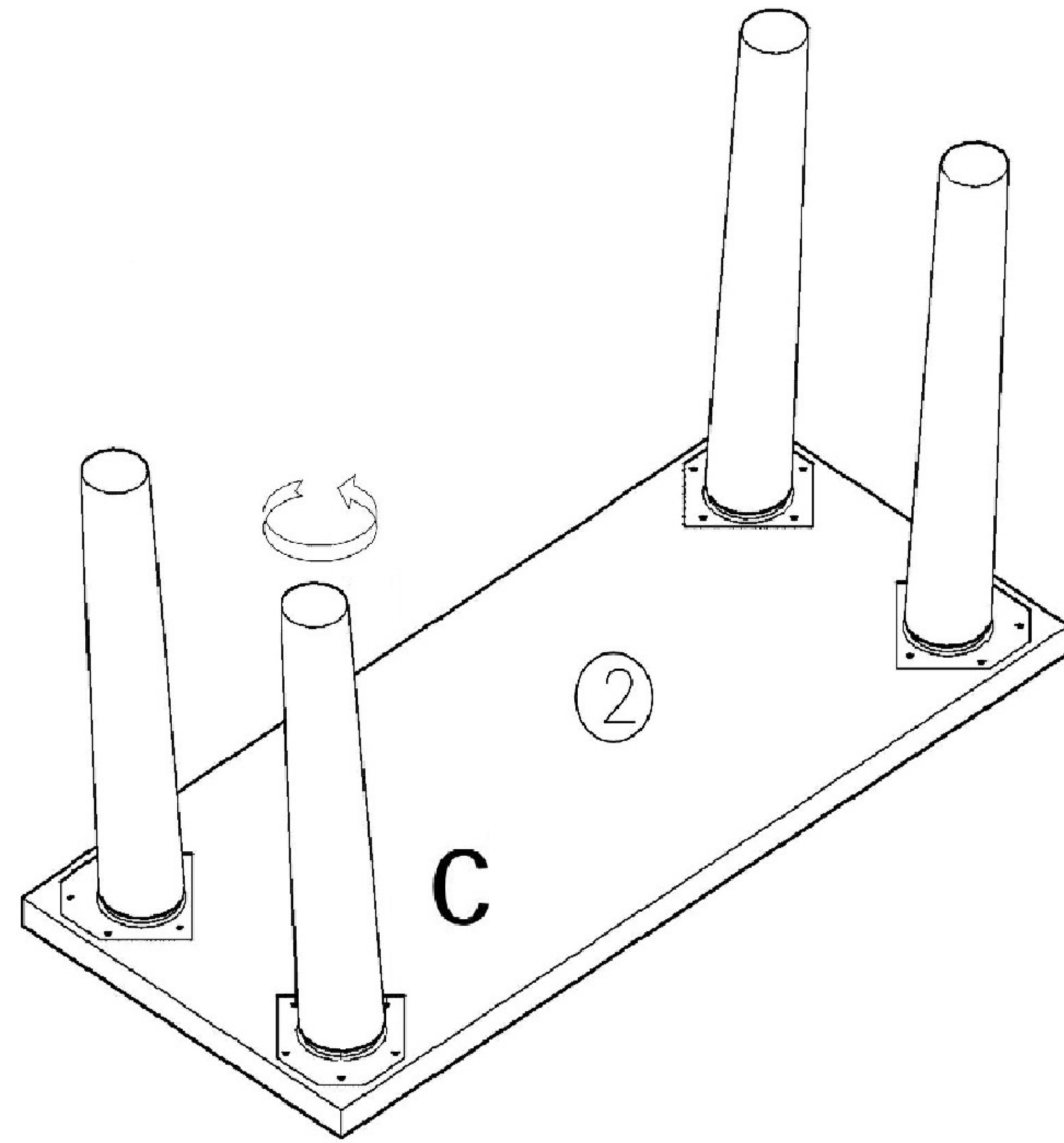


1



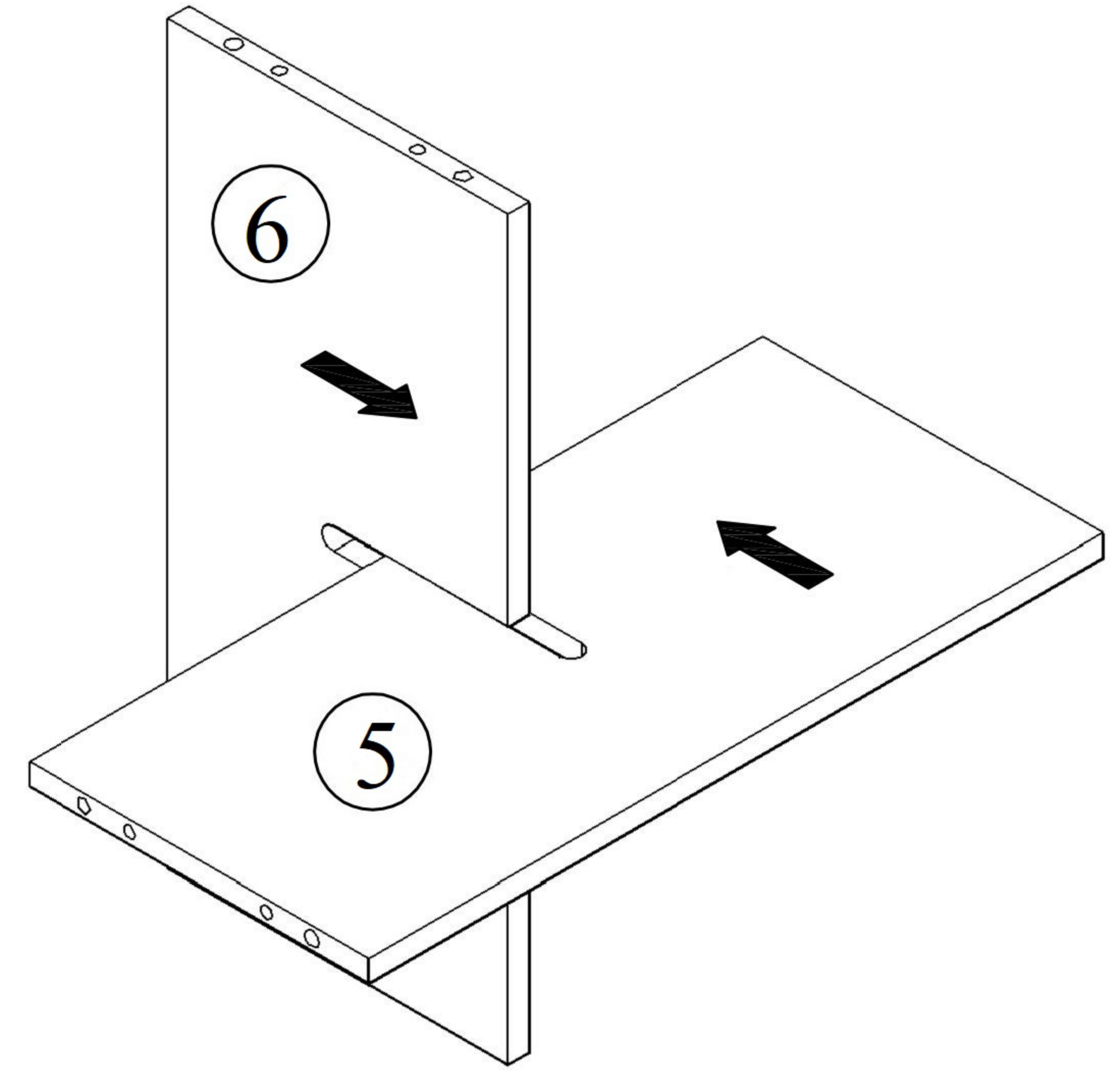
F*20 G*4

2

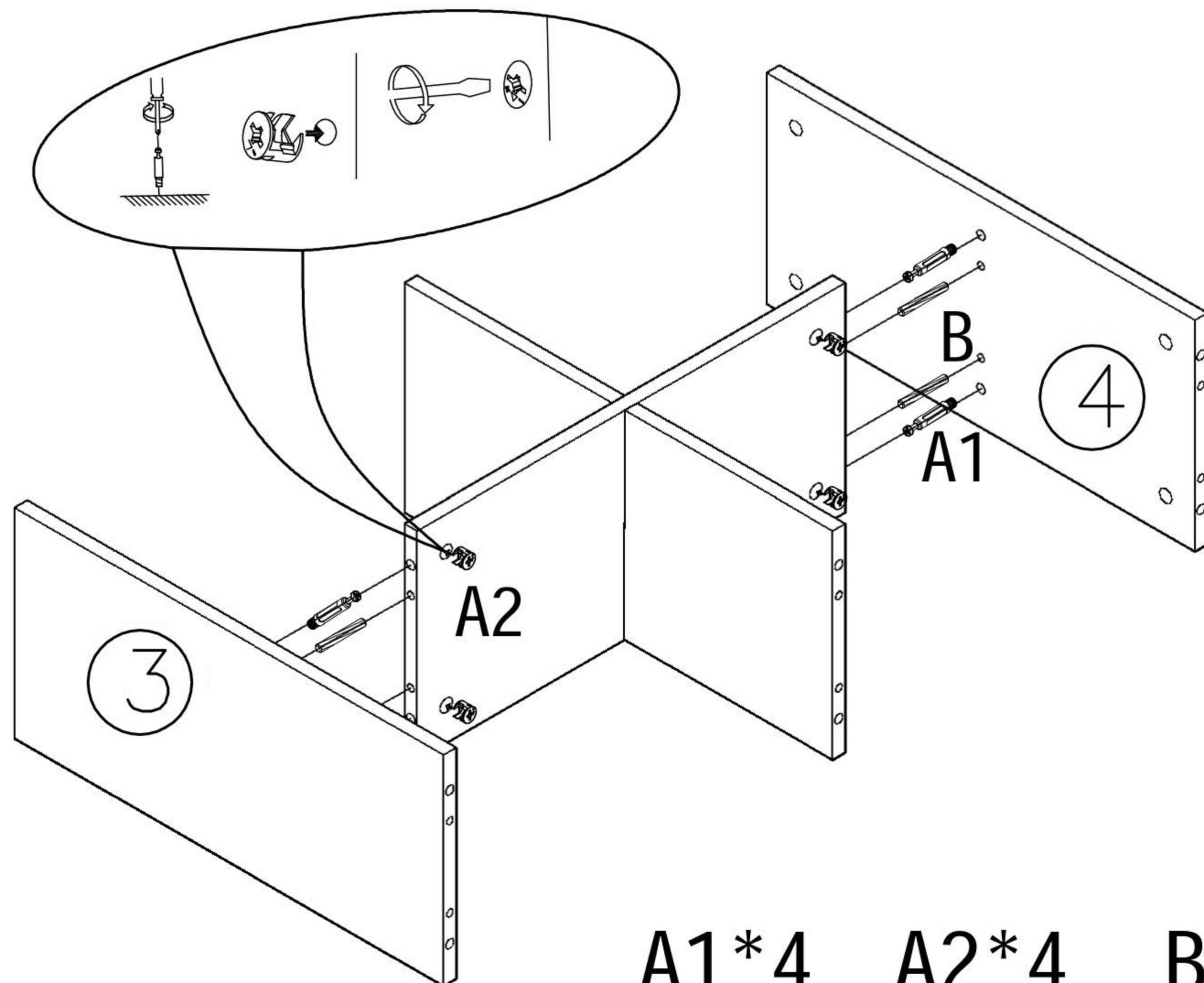


C*4

3

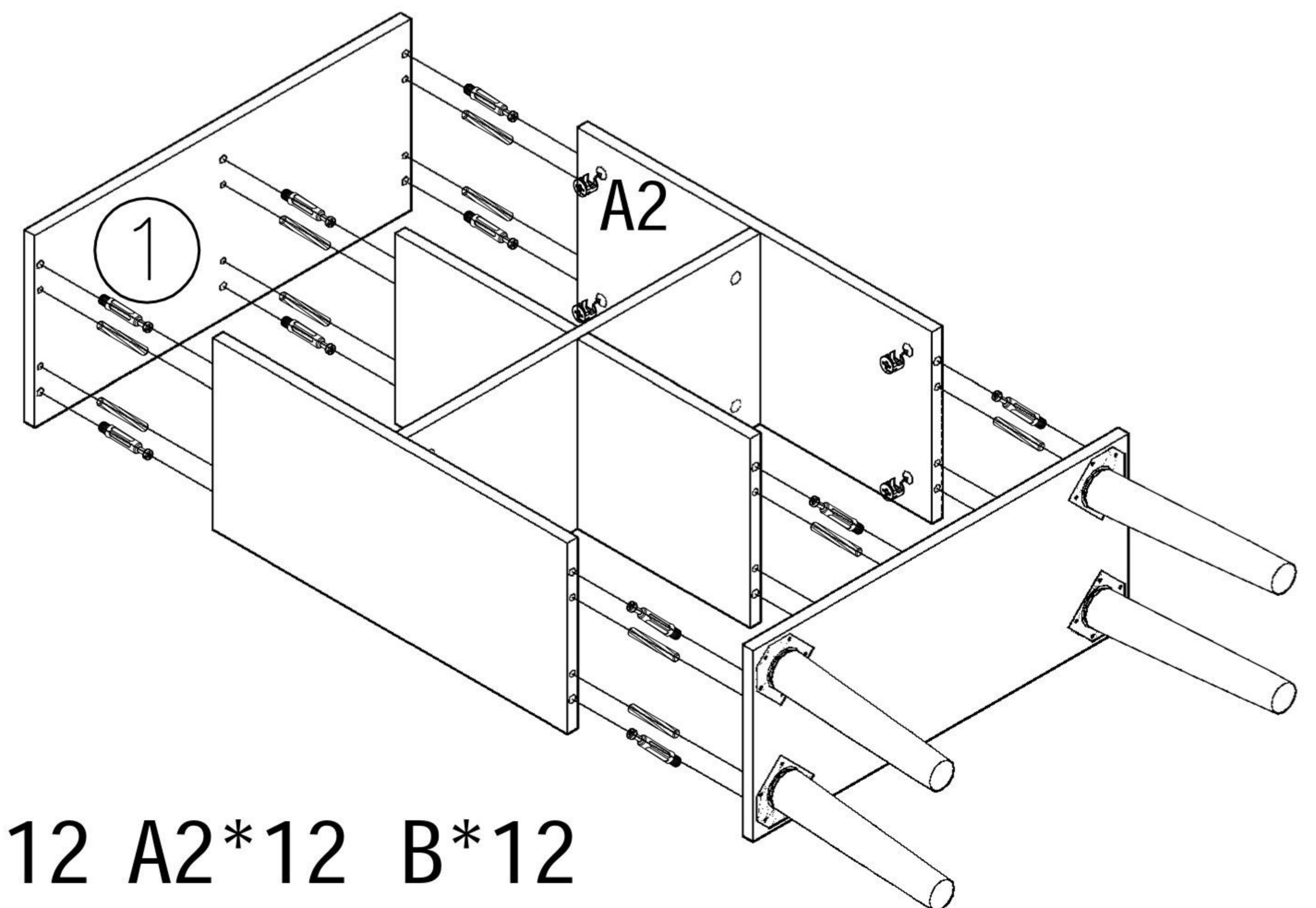


4



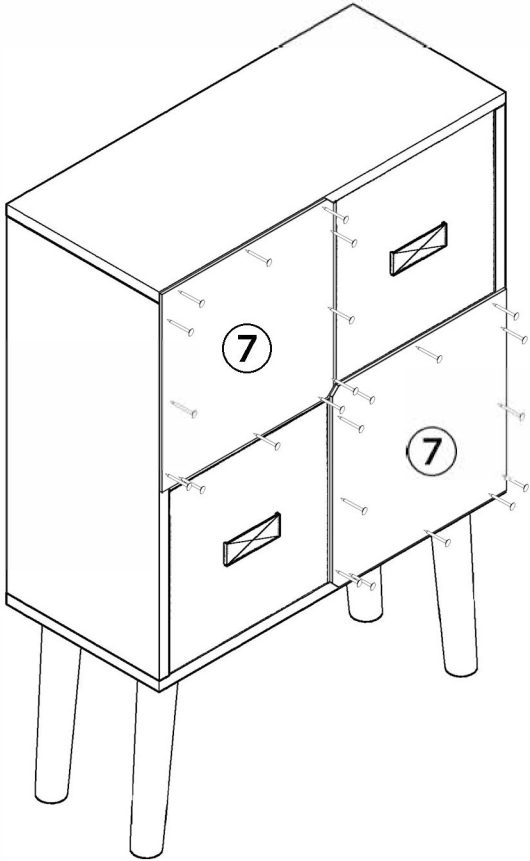
A1*4 A2*4 B*4

5



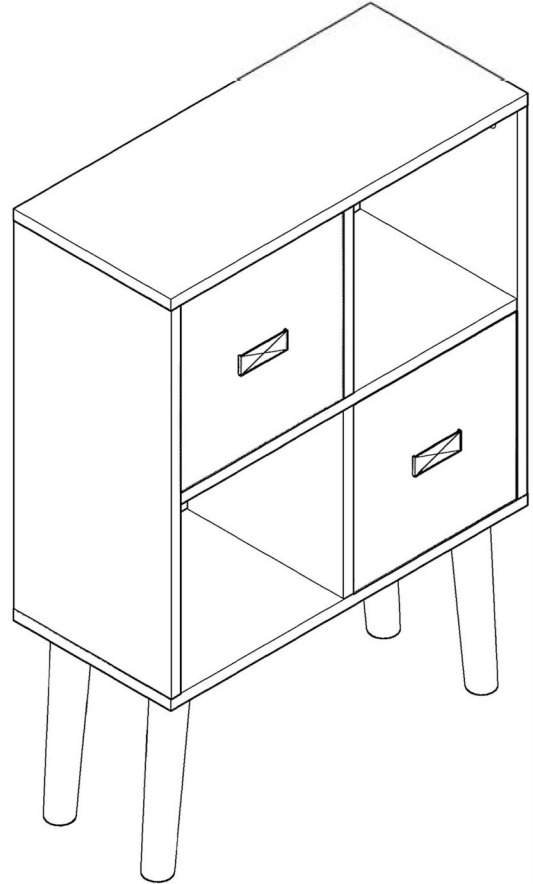
A1*12 A2*12 B*12

6



E=24pcs

7





001-877-644-9366
customerservice@aosom.com



001-855-537-6088
customerservice@aosom.ca



0044-800-240-4004
enquiries@mhstar.co.uk



0049-(0)40-88307530
service@aosom.de



0033-1-84166106
contact@aosom.fr



0034-931294512
atencioncliente@aosom.es



0039-0249471447
clienti@aosom.it