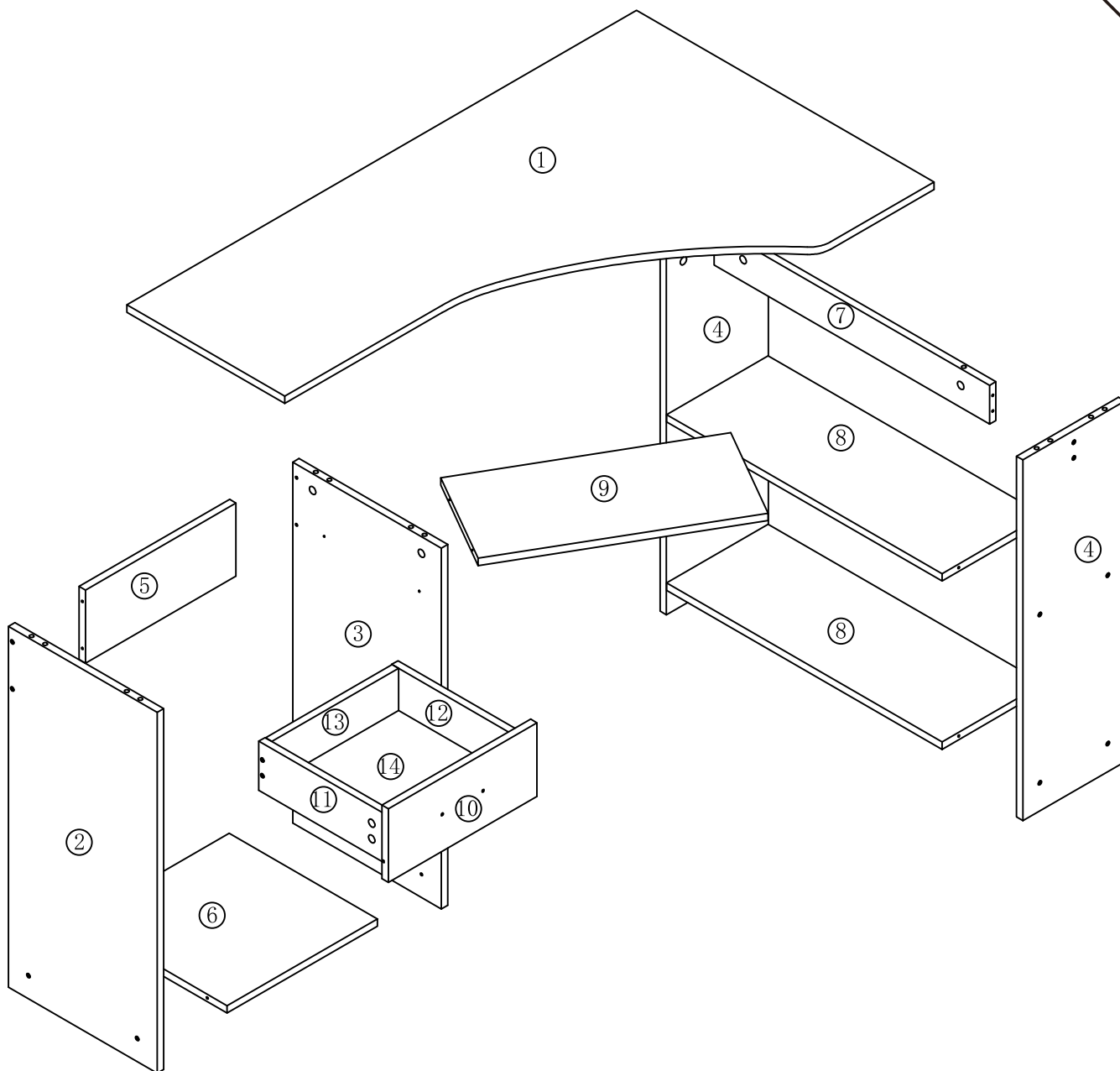


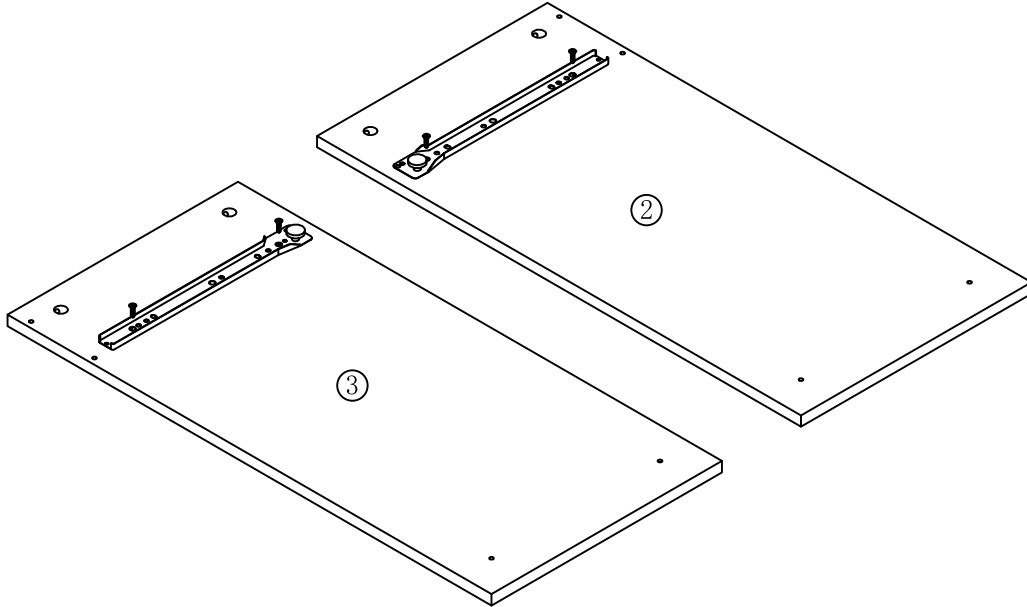
READ AND SAVE THIS INSTRUCTION FOR FUTURE USE

ASSEMBLY INSTRUCTION

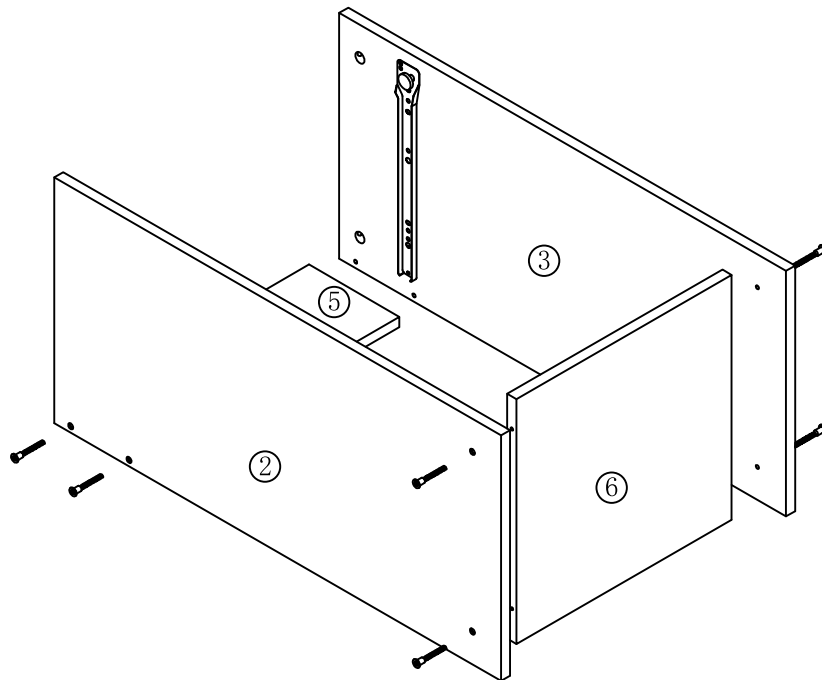


<p>A x14</p>	<p>B x 8</p>	<p>C x20</p>	<p>D x 8</p>
<p>E x18</p>	<p>F x 4</p>	<p>G x 1</p>	<p>H x 1</p>
<p>I x20</p> <p>M15</p>	<p>J x14</p> <p>M20</p>	<p>K x 1</p>	

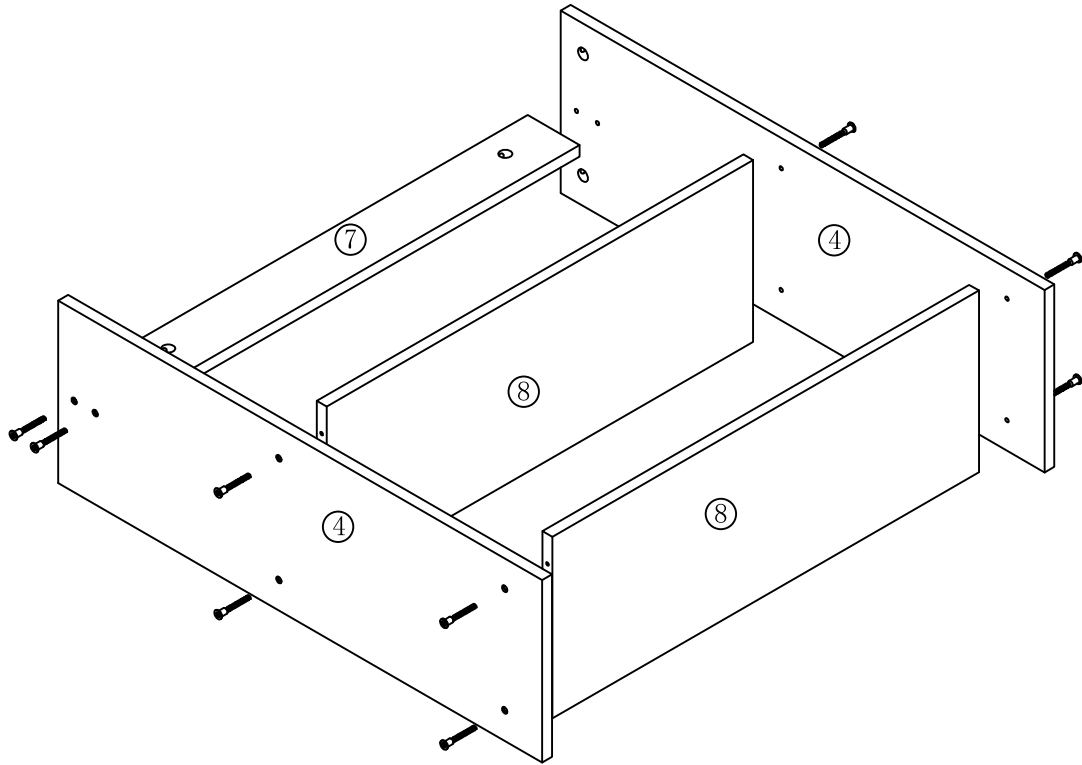
E*4+H1*1



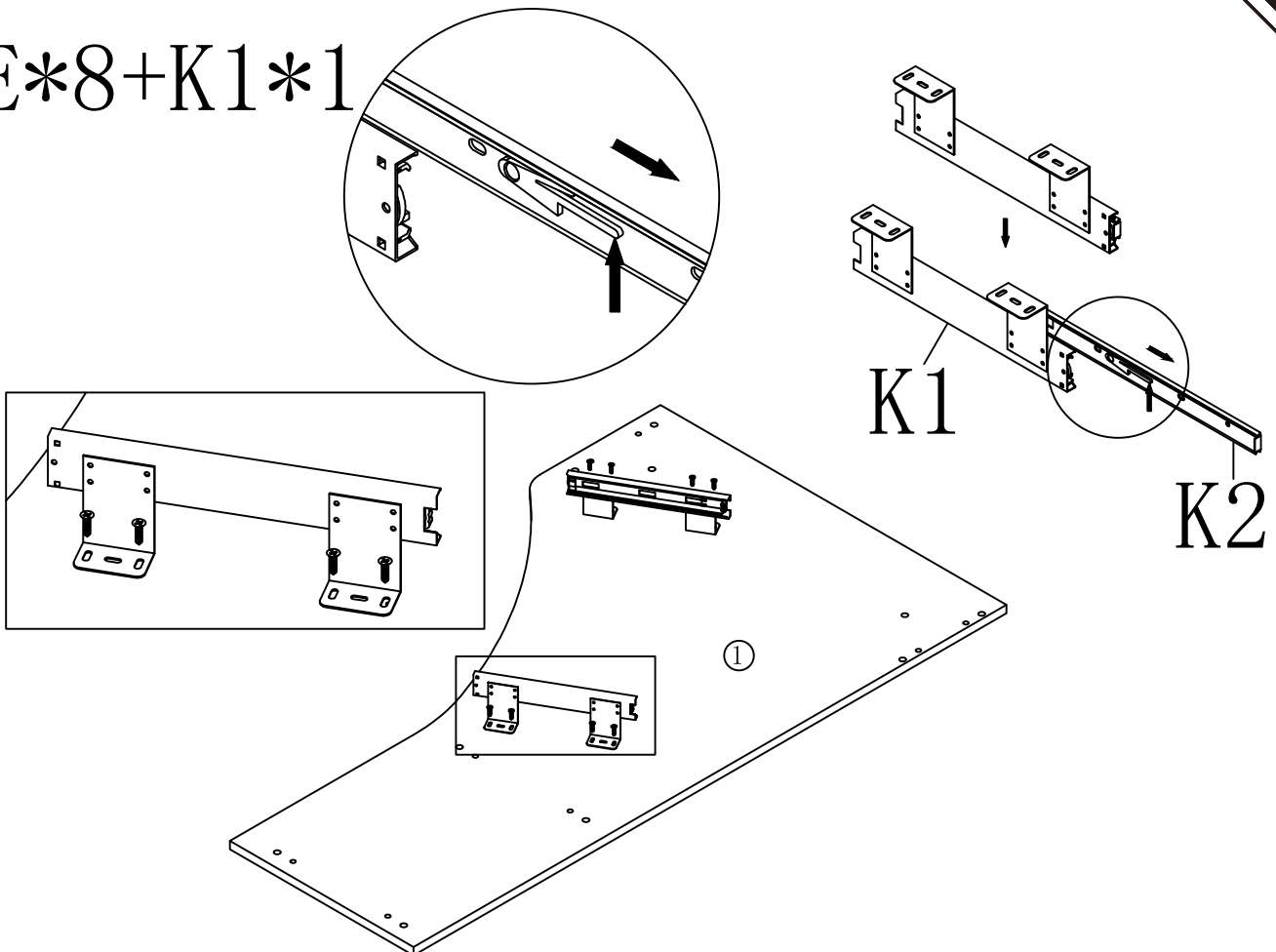
C*8



C*12

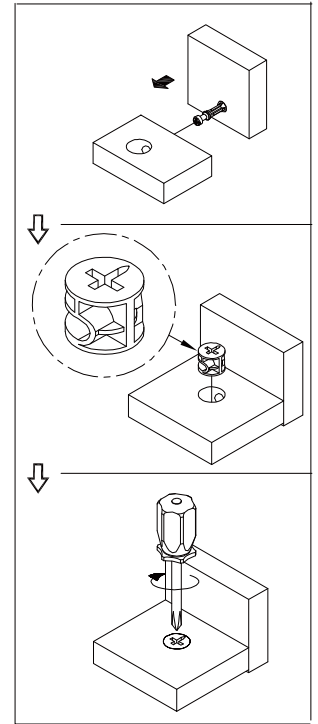
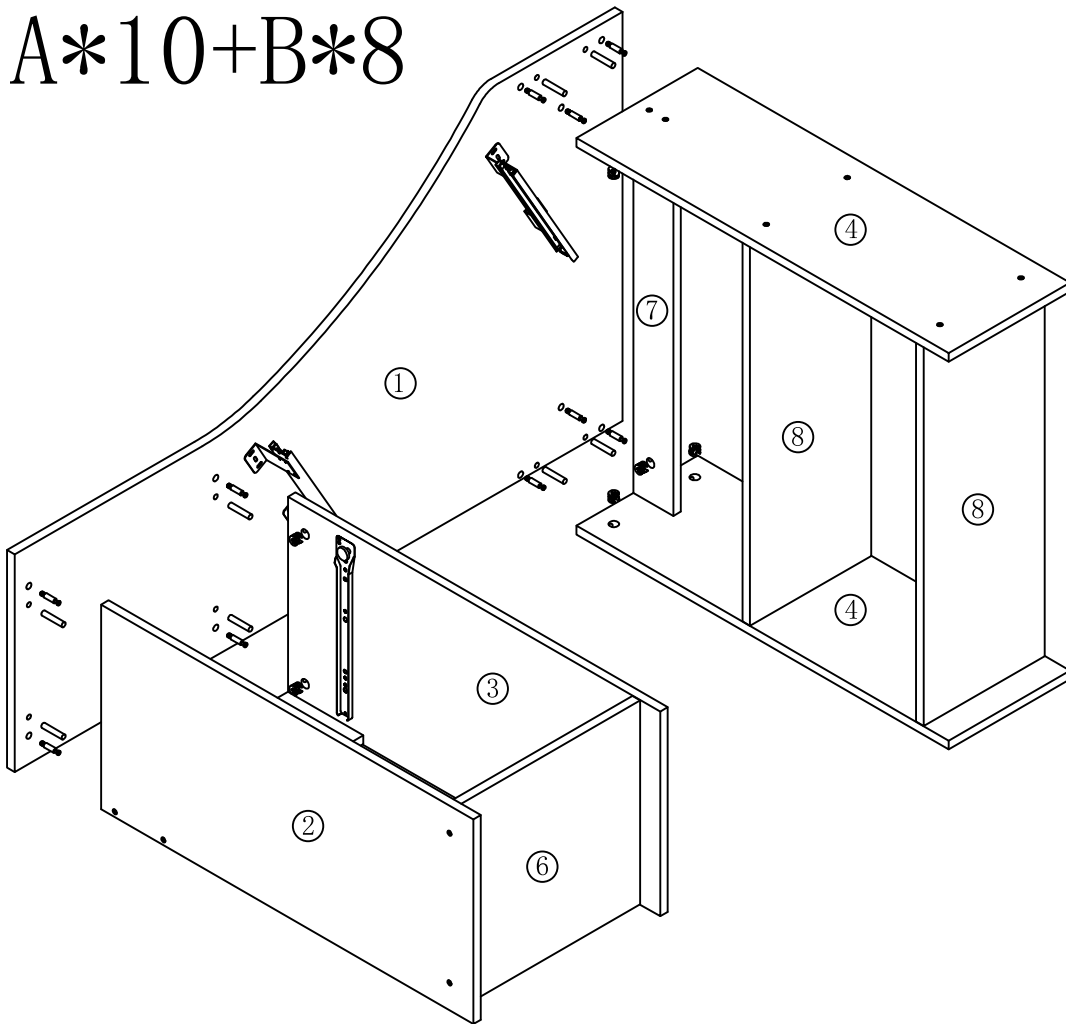


E*8+K1*1



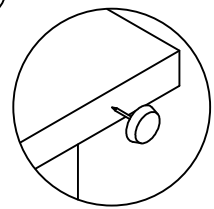
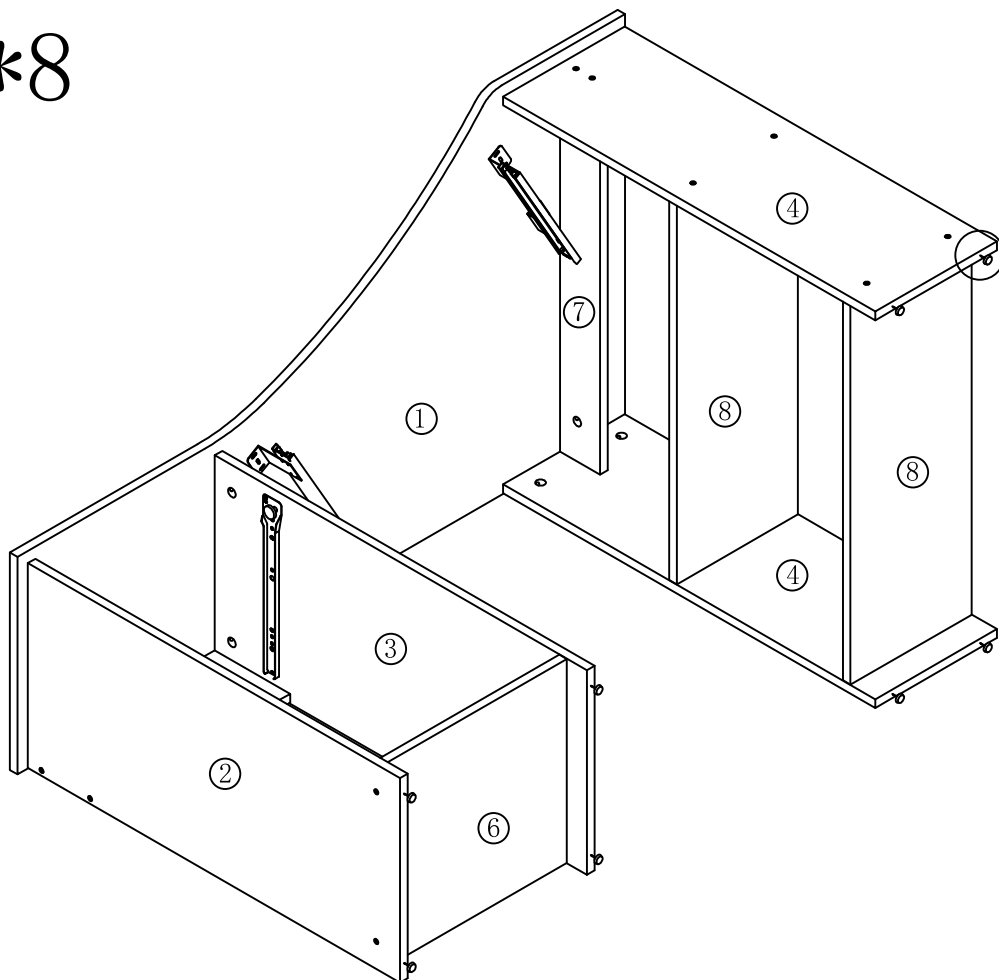
$A*10+B*8$

05

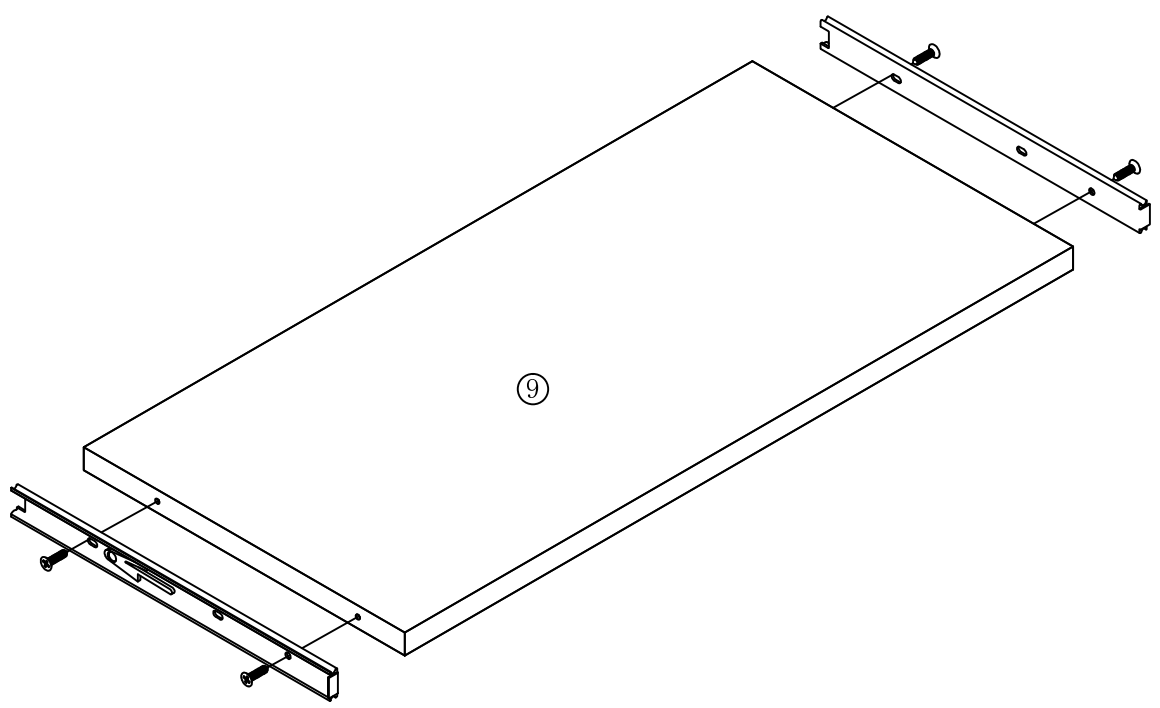


$D*8$

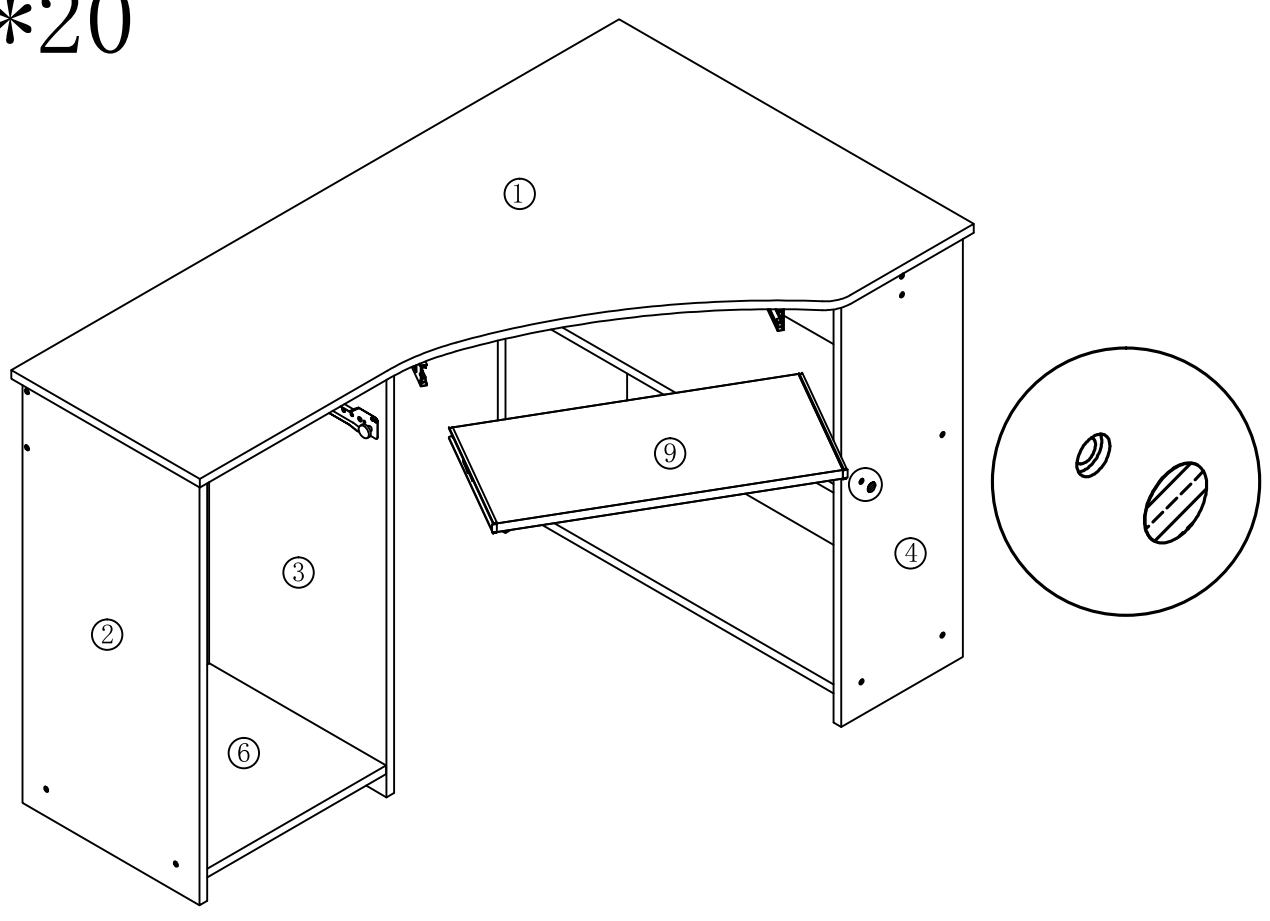
06

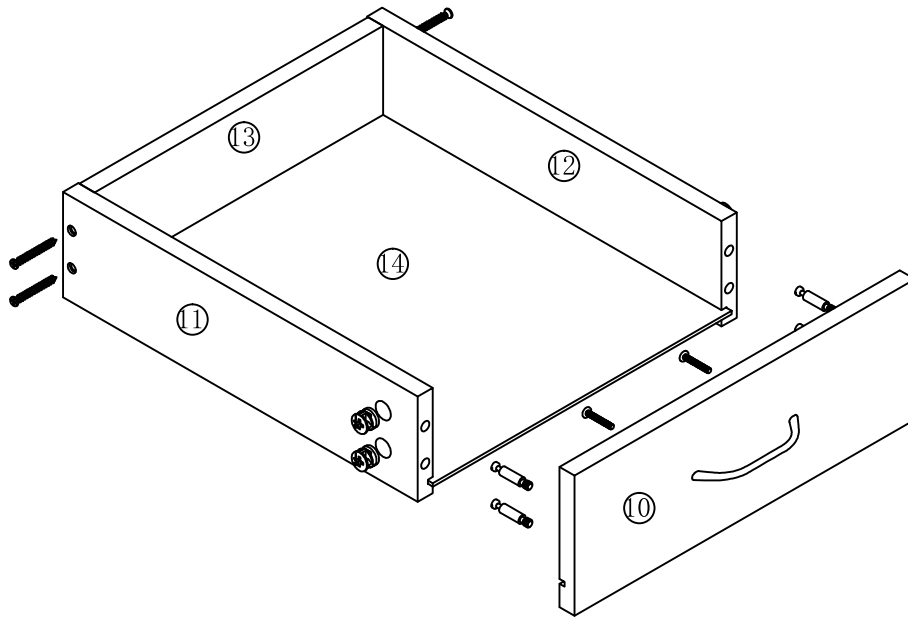
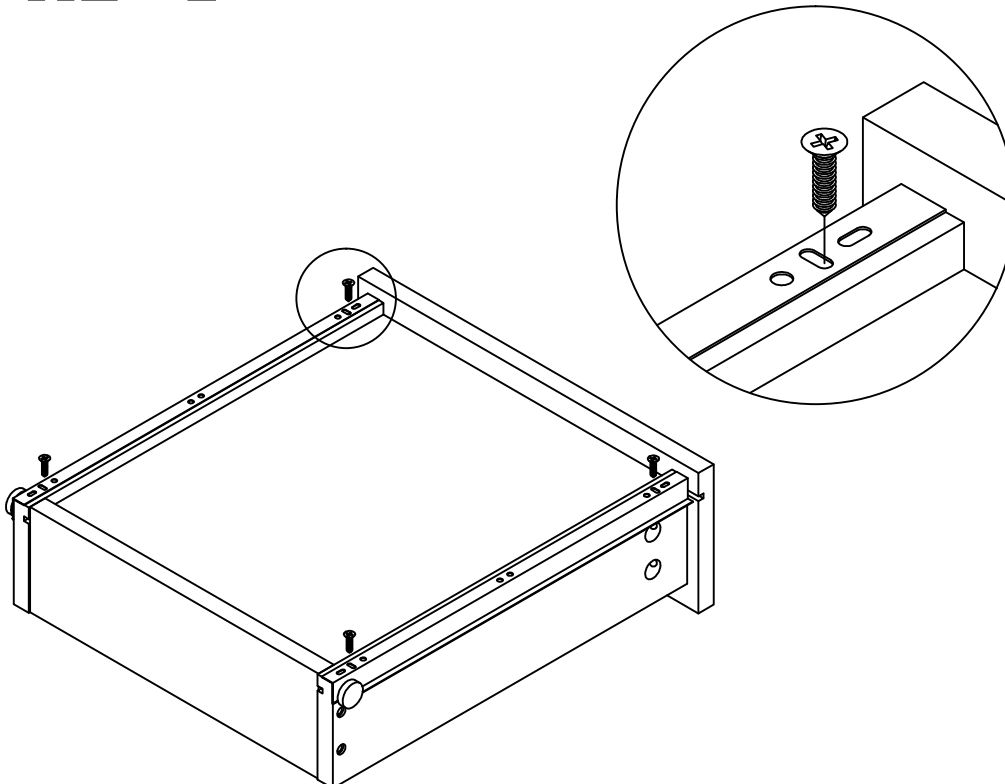


E*4+K2*1

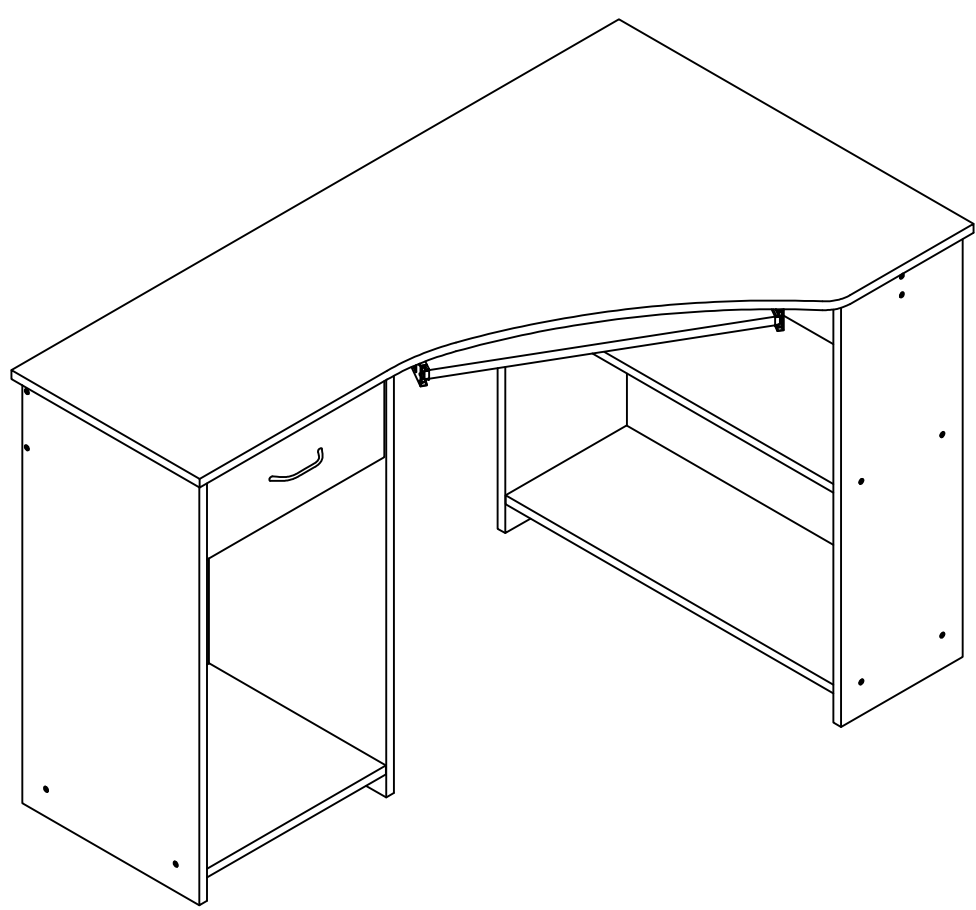
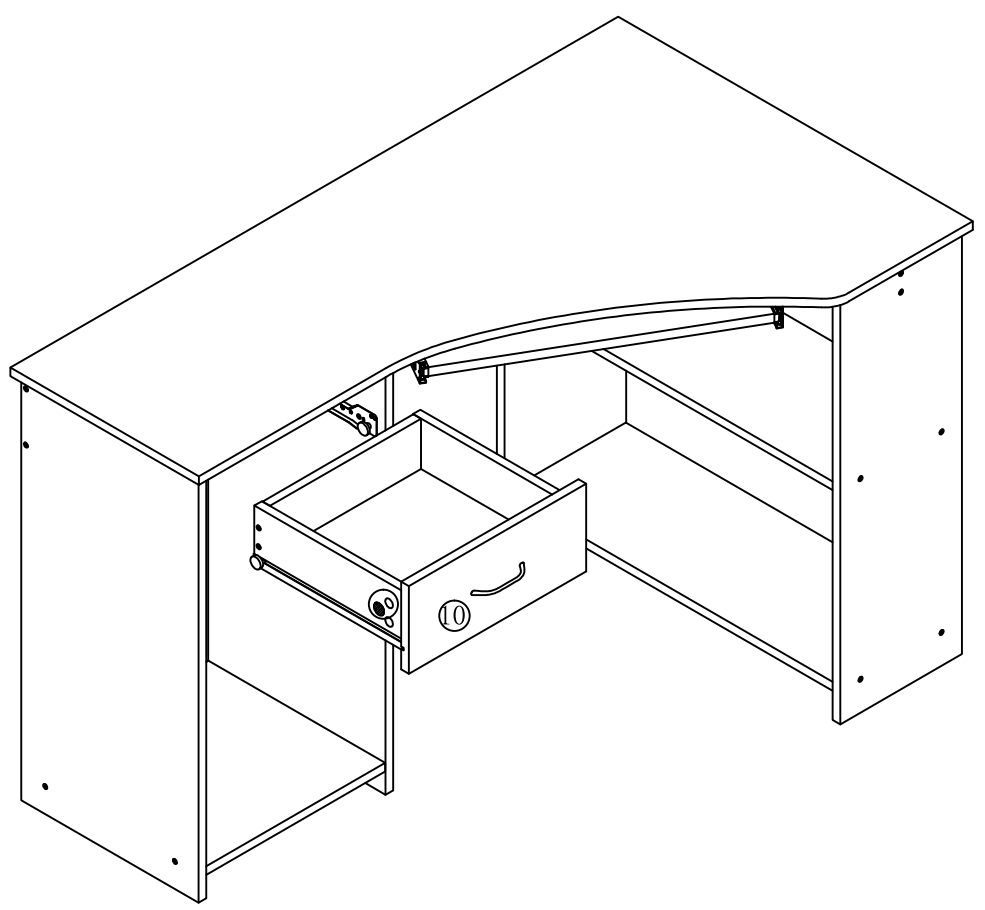
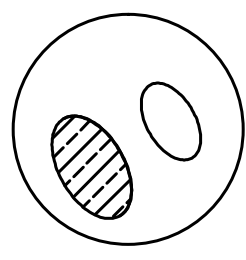


I*20



$A*4+F*4+G*1$  $E*4+H2*1$ 

J*14



US



001-877-644-9366
customerservice@aosom.com

CA



001-855-537-6088
customerservice@aosom.ca

UK



0044-800-240-4004
enquiries@mhstar.co.uk

DE



0049-(0)40-88307530
service@aosom.de

FR



0033-1-84166106
contact@aosom.fr

ES



0034-931294512
atencioncliente@aosom.es

IT



0039-0249471447
clienti@aosom.it