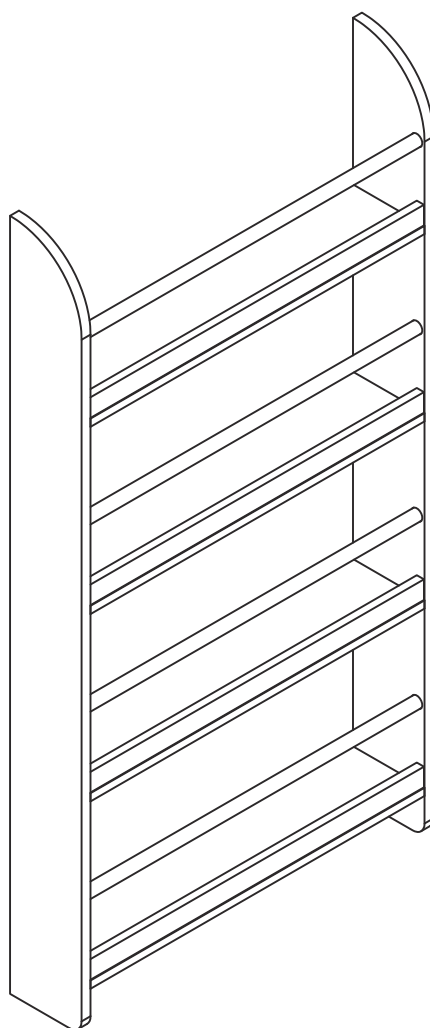
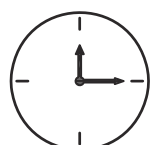


836-135

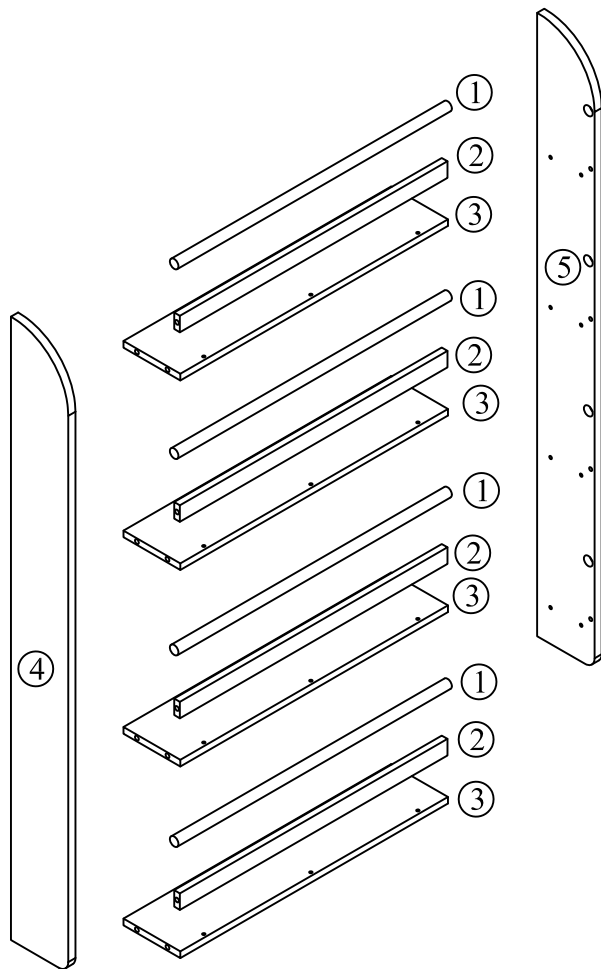
C000000



2 PERS.

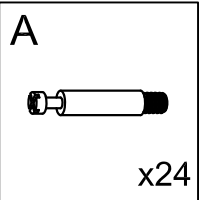
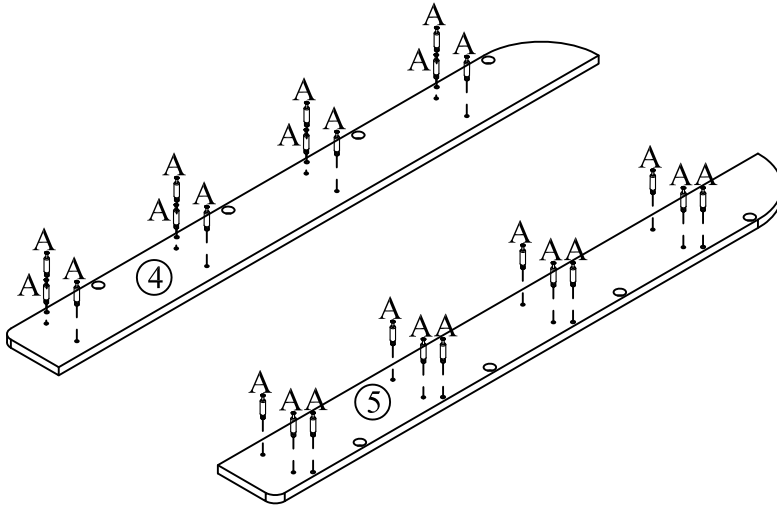


60 MIN

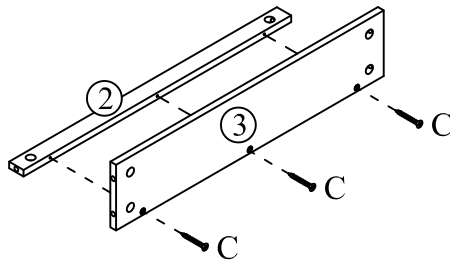


A	x 24	B	x 24	C	x 12	D	x 2
Φ6X35mm		Φ15X9mm		Φ4X25mm			

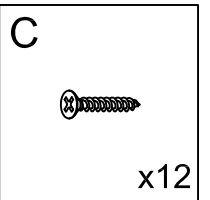
1



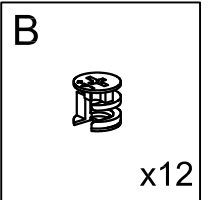
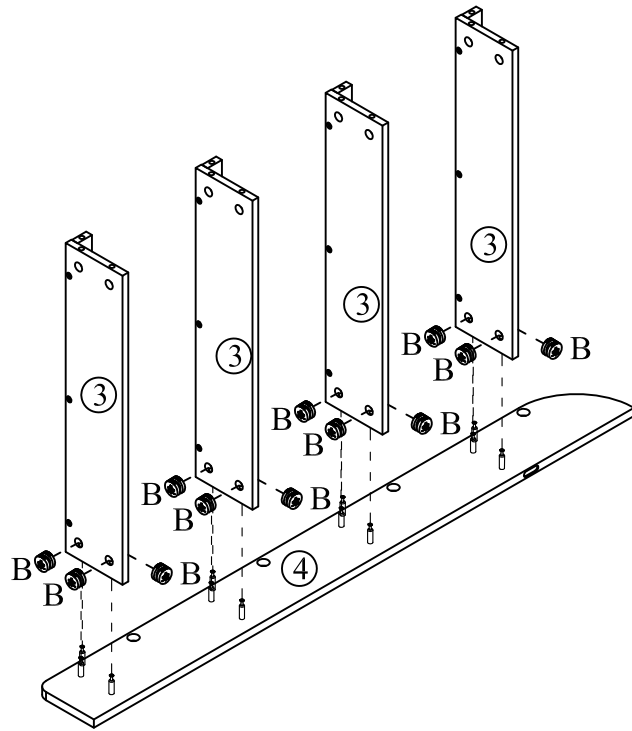
2



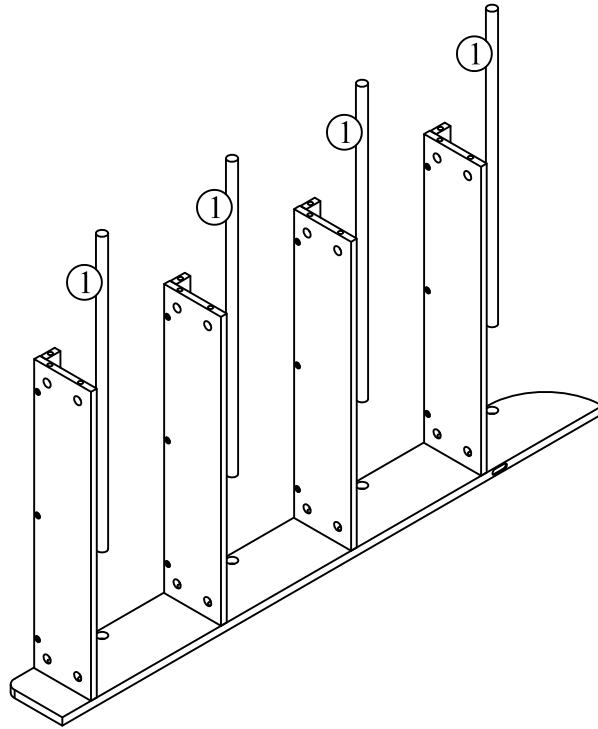
x4



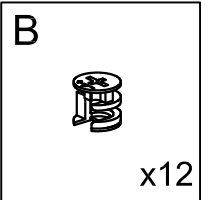
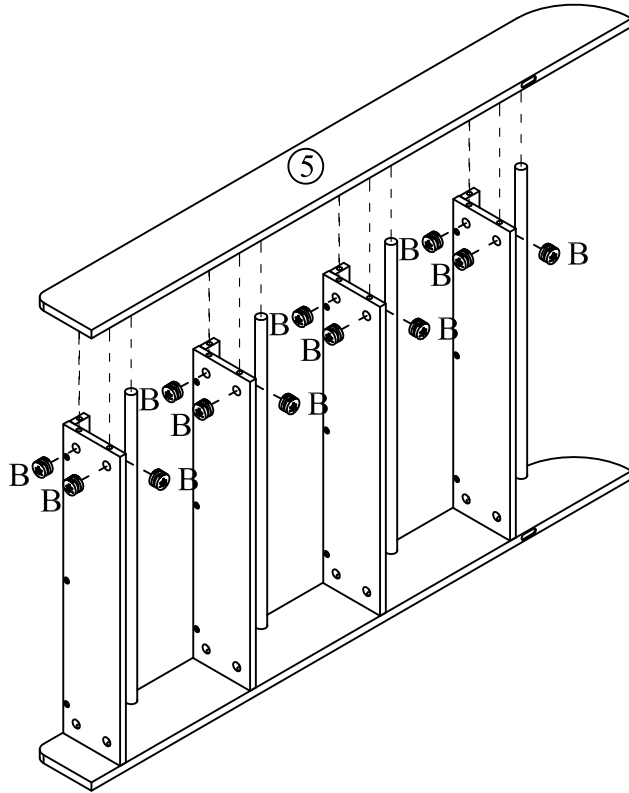
3



4



5



6

