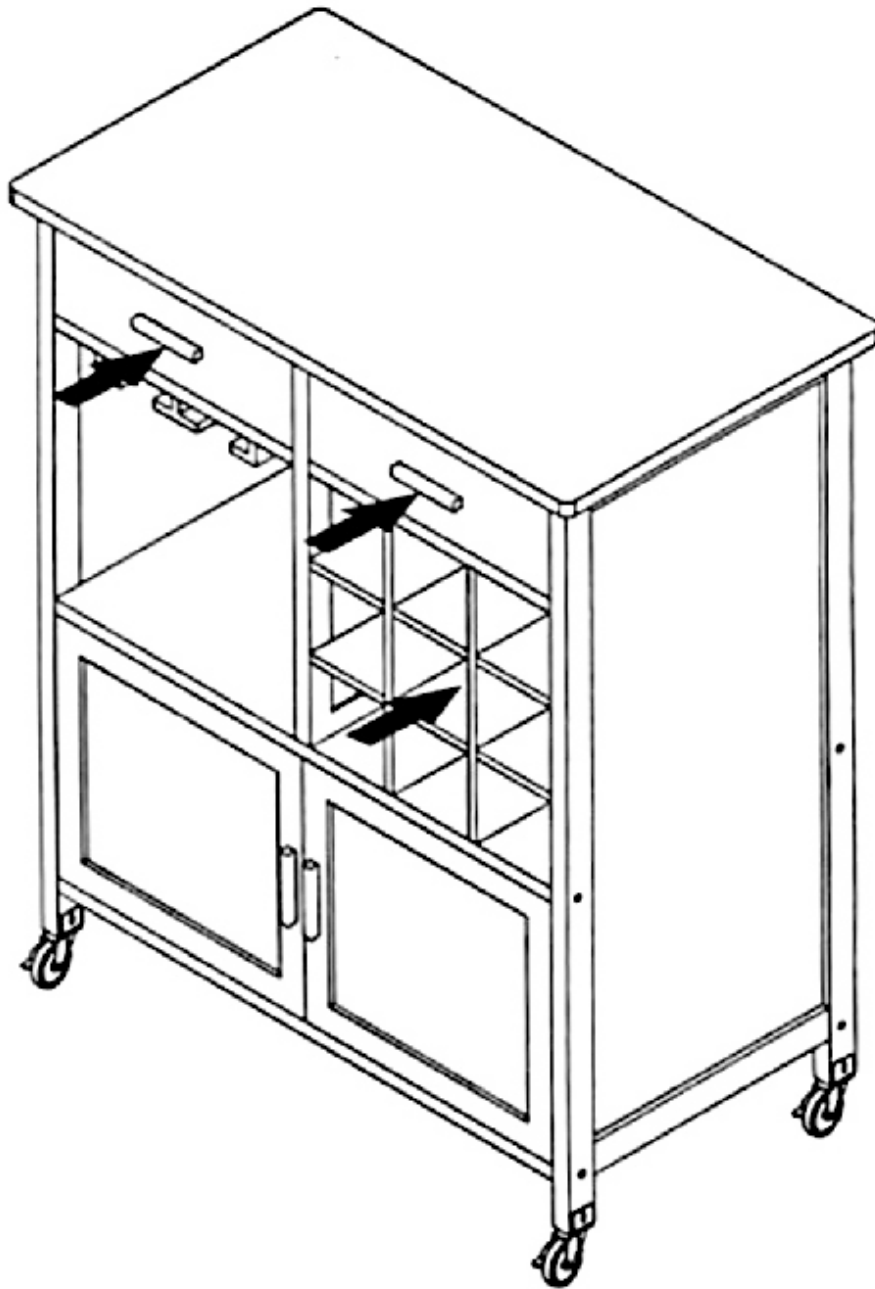




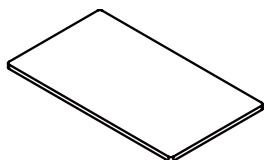
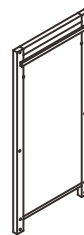
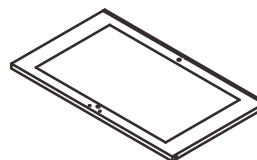
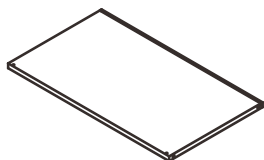
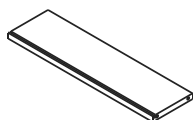
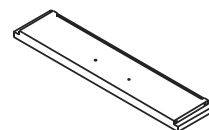
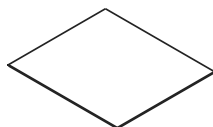
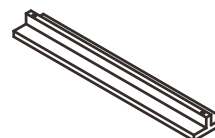
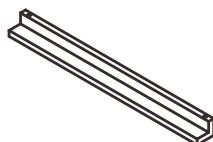
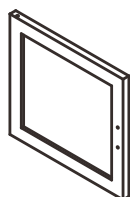
INccd019V01_US_CA_UK_ES_DE_IT

801-008

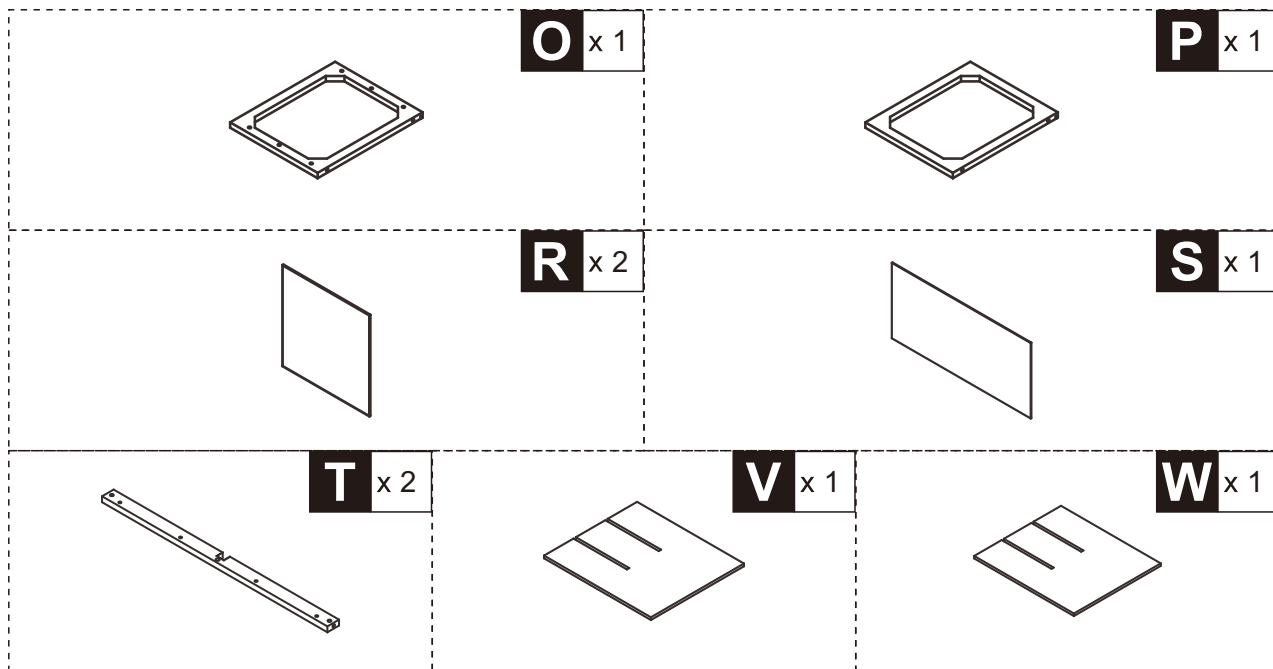


IMPORTANT, RETAIN FOR FUTURE REFERENCE: READ CAREFULLY

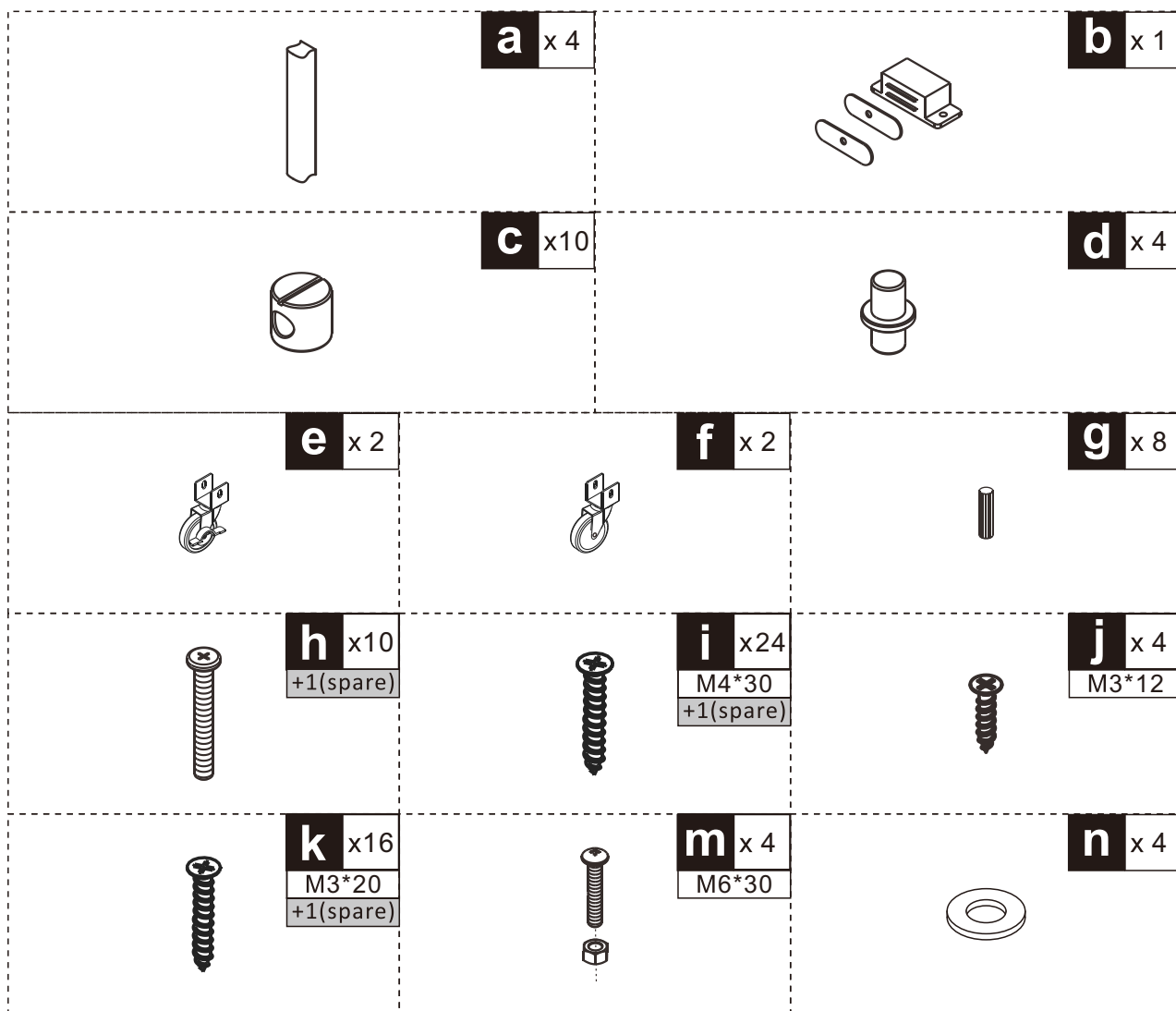
ASSEMBLY & INSTRUCTION MANUAL

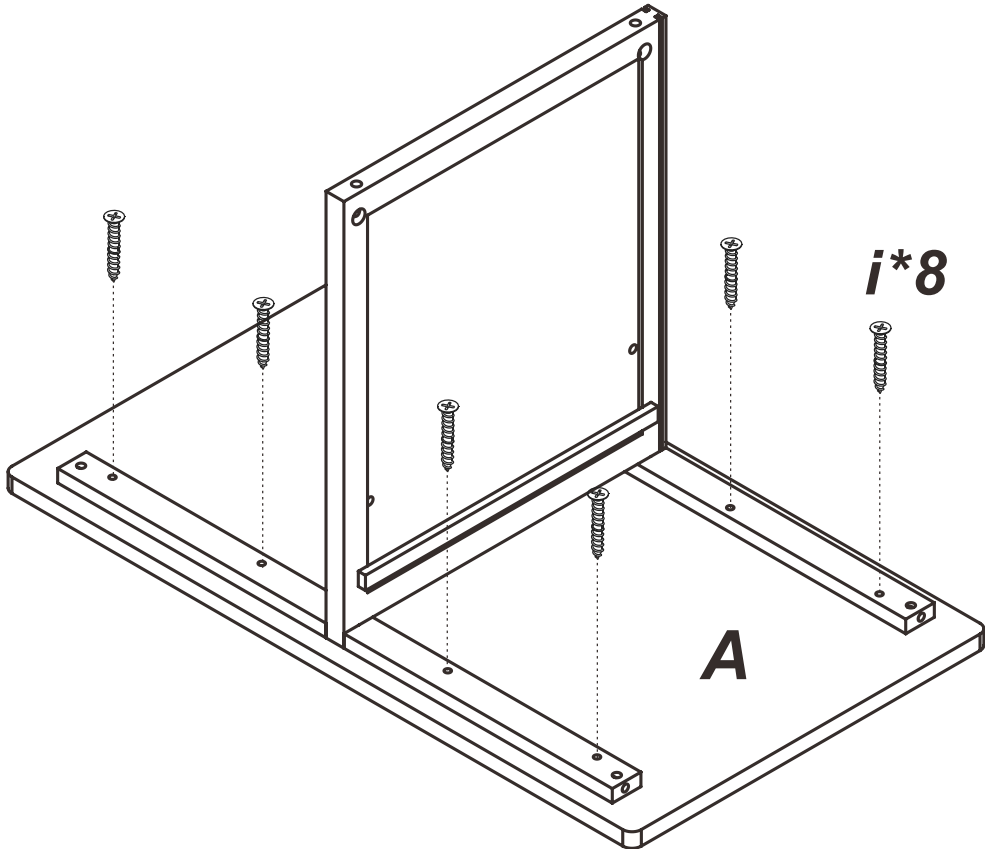
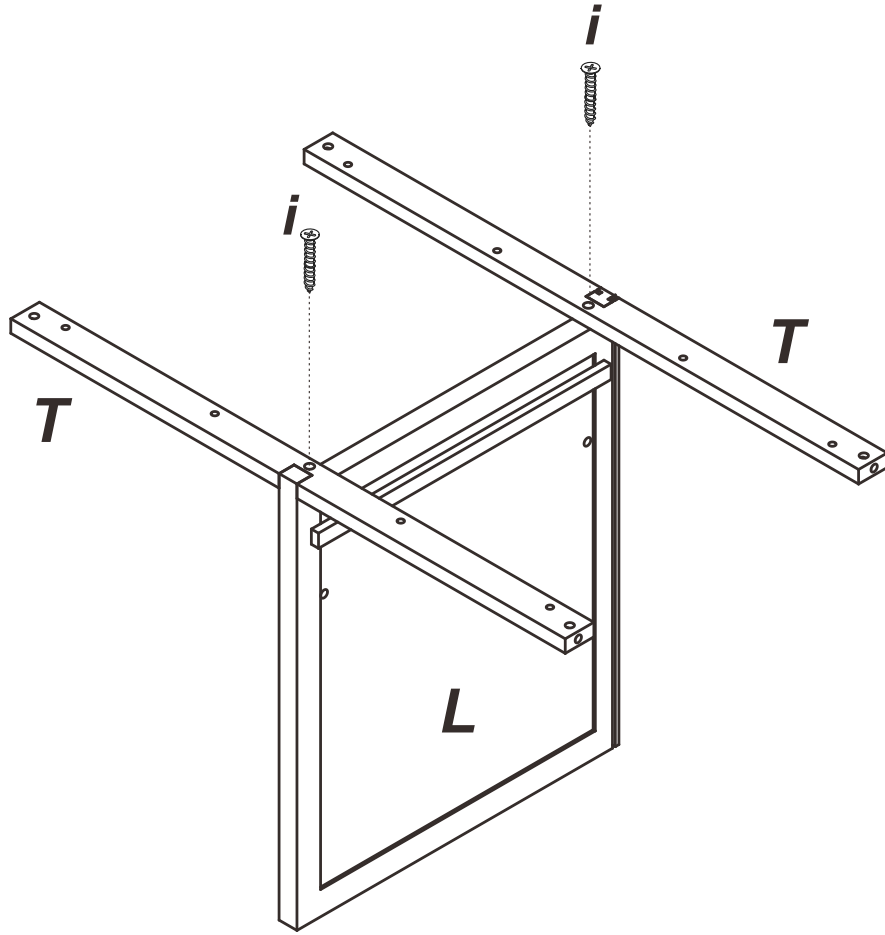
A x 1**B** x 1**C** x 1**D** x 1**E** x 1**F** x 4**G** x 2**H** x 2**I** x 2**J** x 1**K** x 2**L** x 1**M** x 1**N** x 1

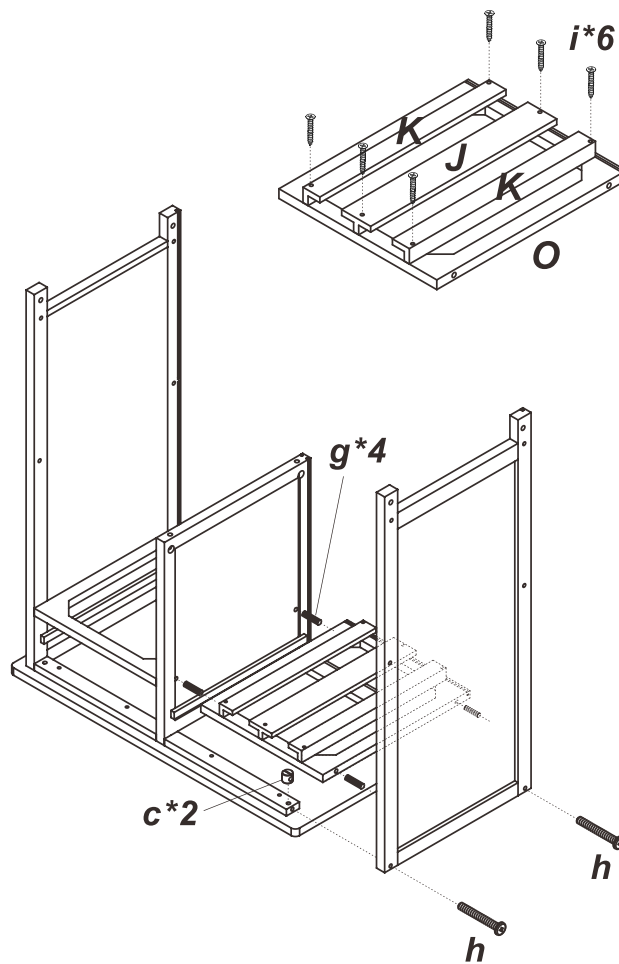
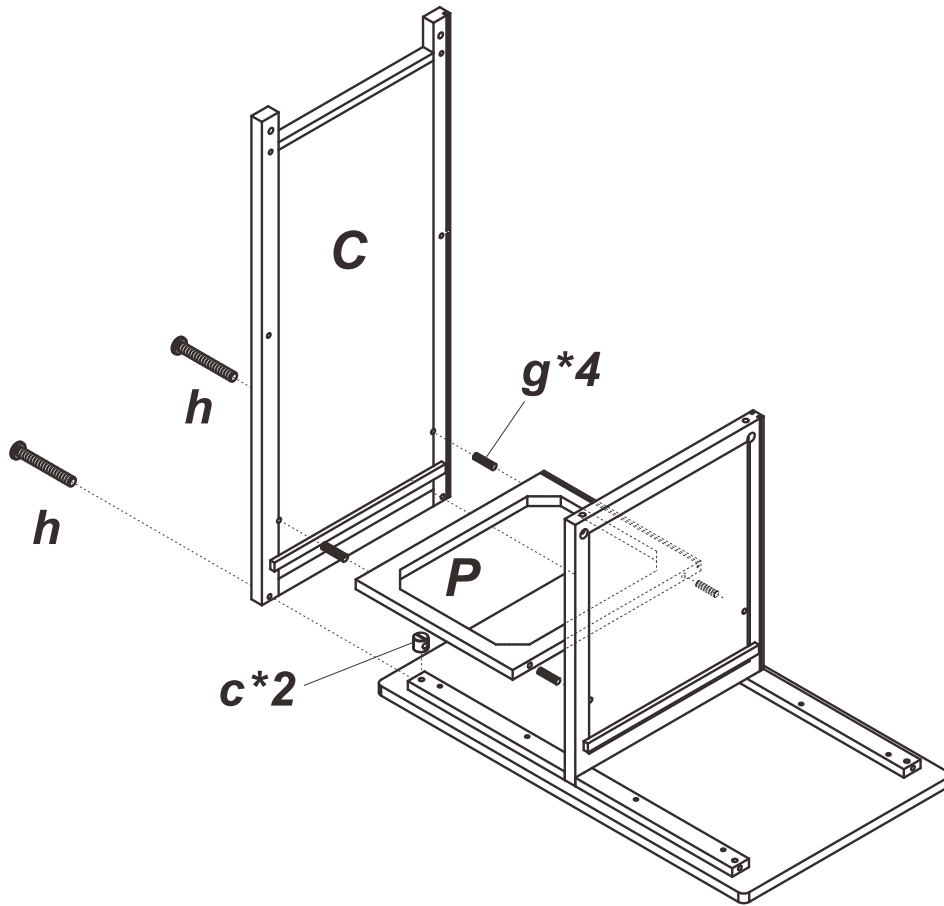
PARTS

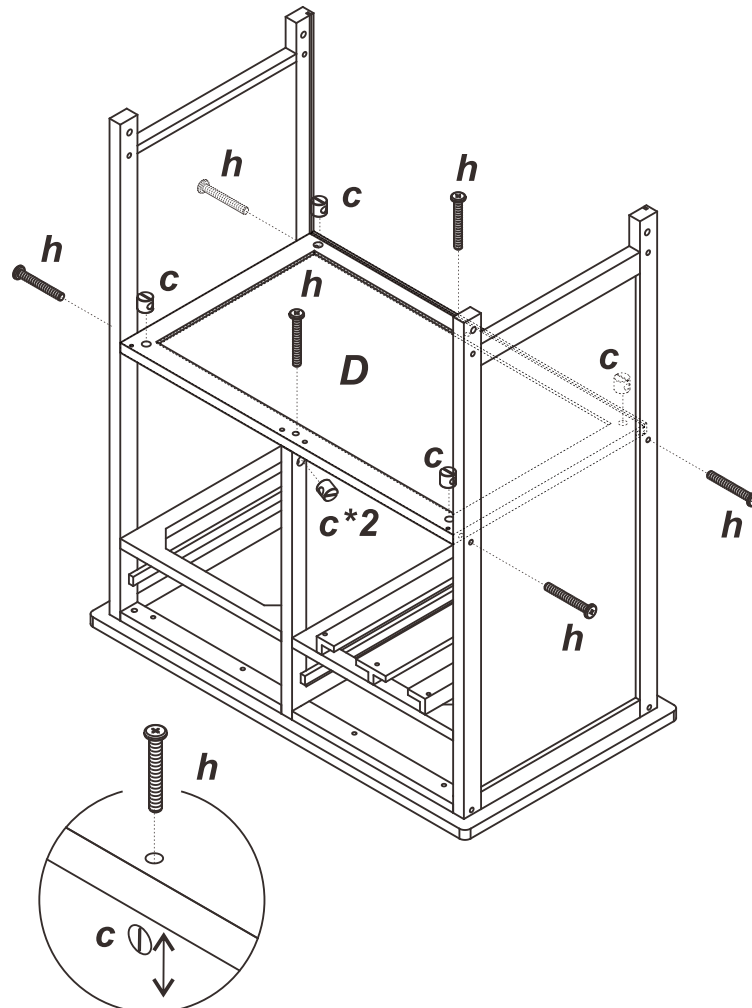
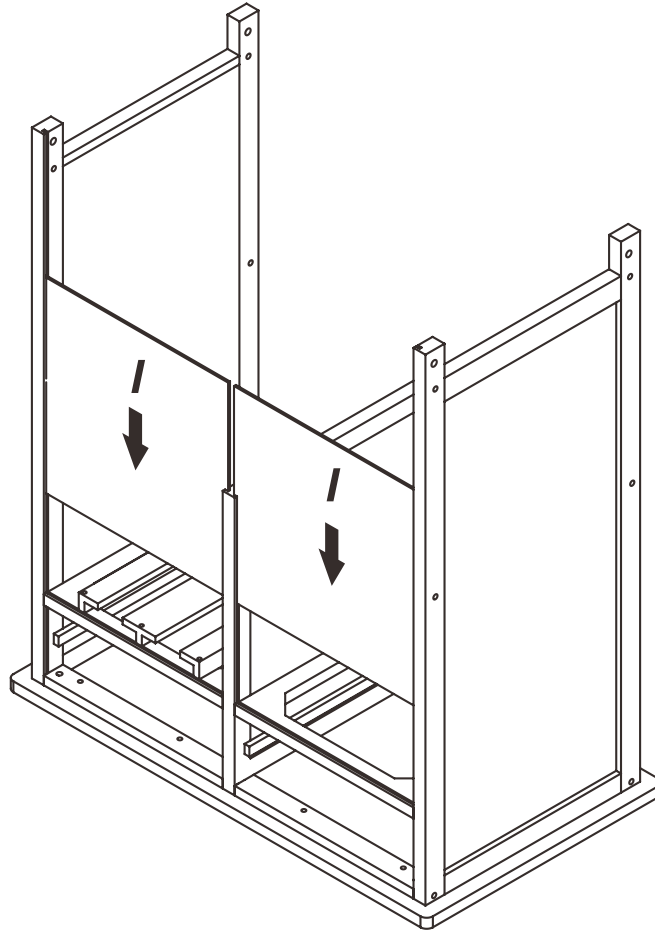


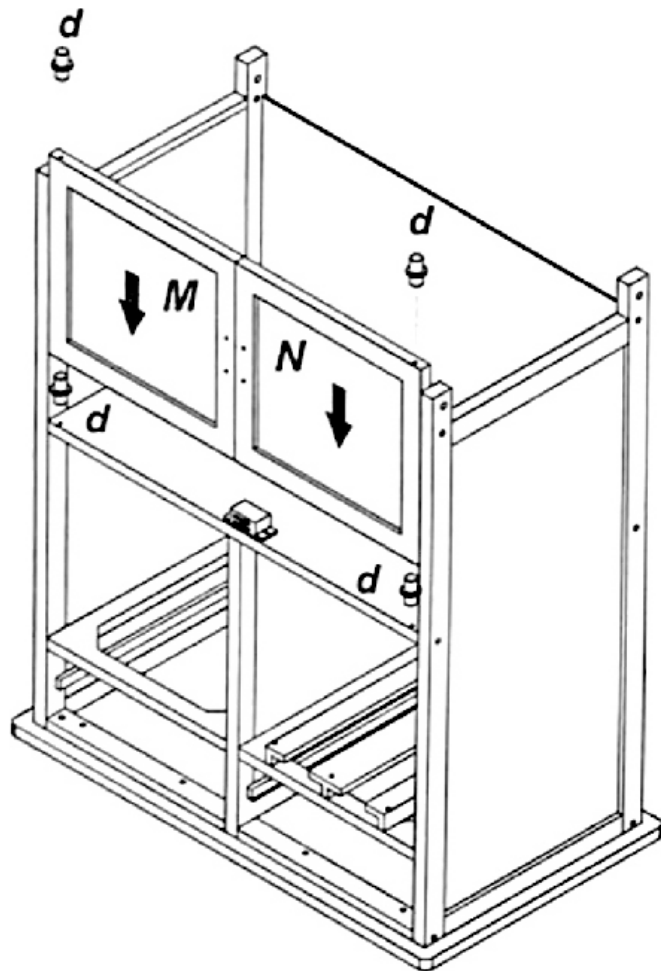
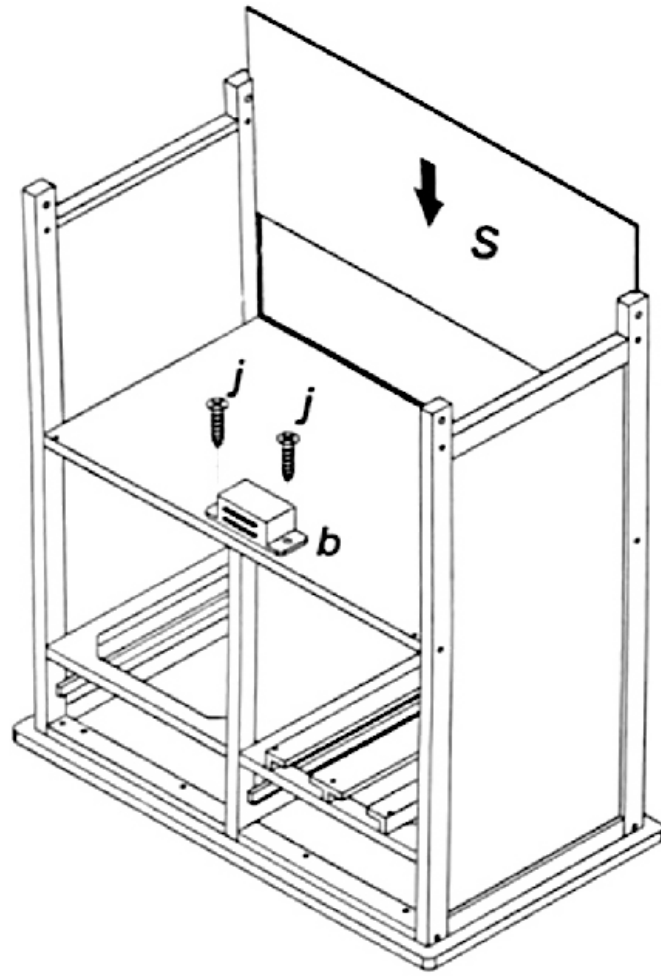
HARDWARE

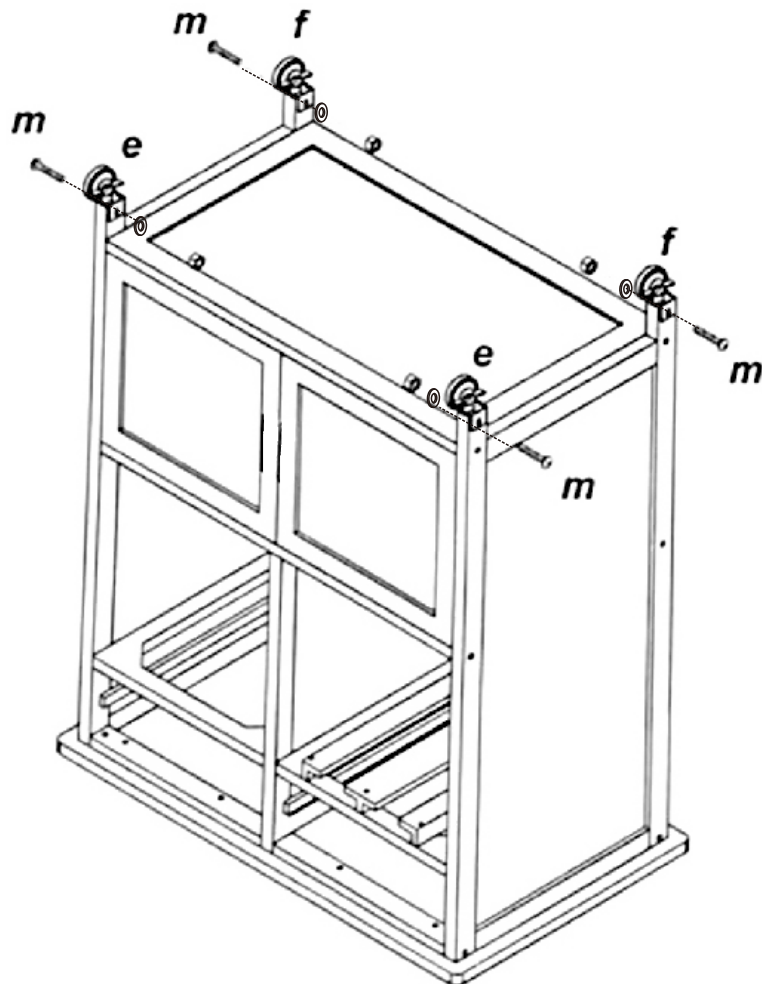
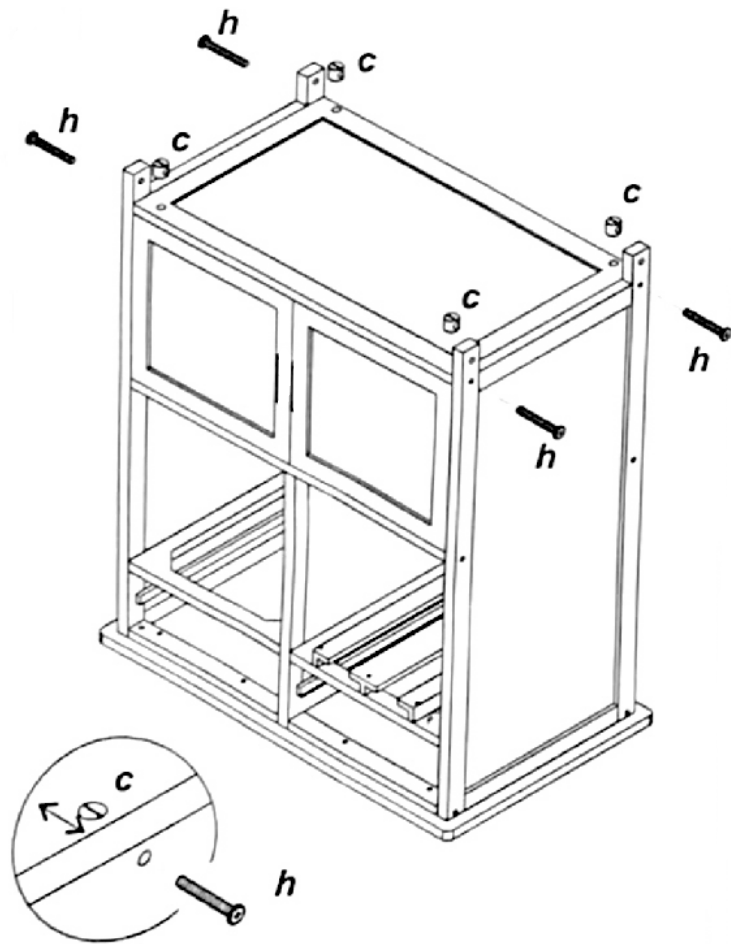


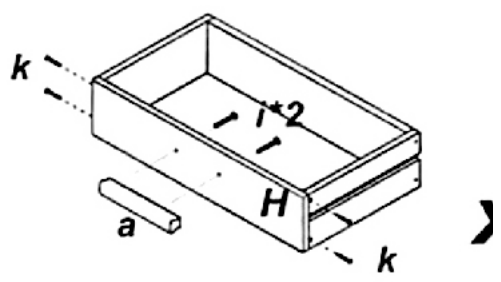
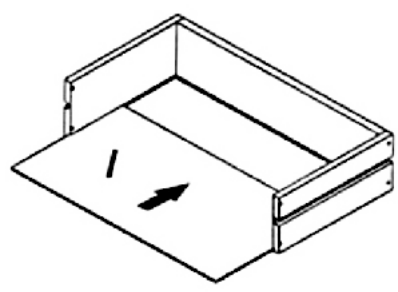
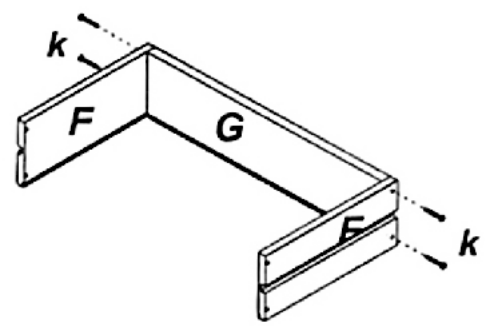
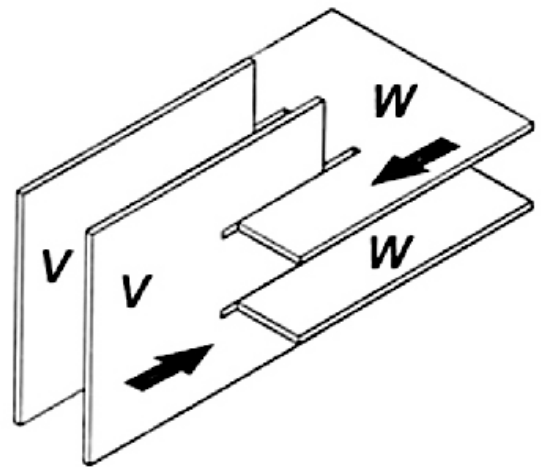












x2

