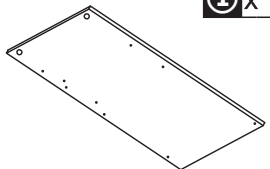


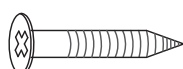
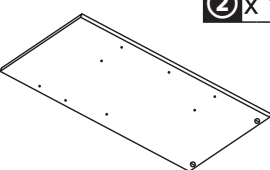


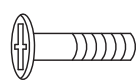
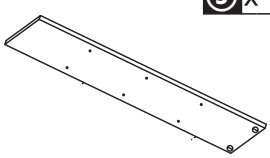
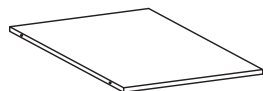


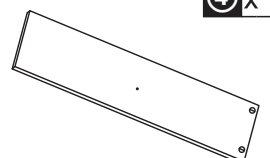

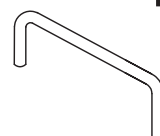
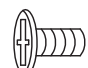
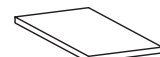

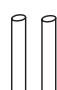

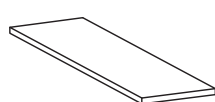



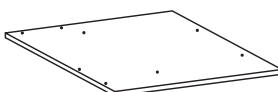
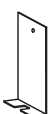
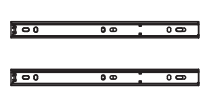
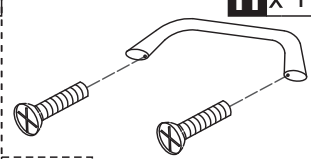
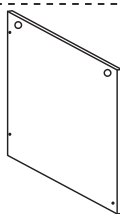
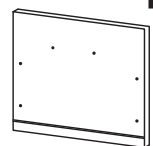
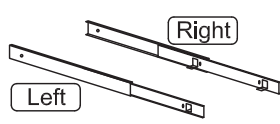
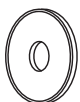
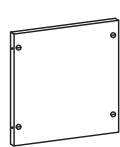
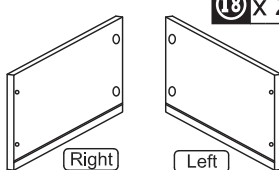
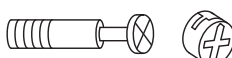

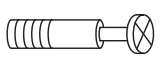


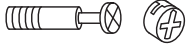
Assembly video please scan the QR code .

**READ AND SAVE THIS INSTRUCTIONS FOR FUTURE USE**

**ASSEMBLY & INSTRUCTION MANUAL**

 <b>① x 1</b>	 <b>⑩ x 1</b>	 <b>⑱ x 1</b>	 <b>B x 33</b>
 <b>② x 1</b>	 <b>⑪ x 1</b>	 <b>⑳ x 1</b>	 <b>C x 7</b>
 <b>③ x 1</b>	 <b>⑫ x 1</b>	 <b>㉑ x 1</b>	 <b>D x 2</b>
 <b>④ x 1</b>	 <b>⑬ x 1</b>	 <b>㉒ x 1</b>	 <b>E x 4</b>
 <b>⑤ x 2</b>	 <b>⑭ x 1</b>	 <b>㉓ x 2</b>	 <b>F x 12</b>
 <b>⑥ x 1</b>	 <b>⑮ x 1</b>	 <b>㉔ x 3</b>	 <b>G x 4</b>
 <b>⑦ x 1</b>	 <b>⑯ x 4</b>	 <b>㉕ x 1</b>	 <b>H x 1</b>
 <b>⑧ x 1</b>	 <b>⑰ x 1</b>	 <b>㉖ x 1</b>	 <b>I x 2</b>
 <b>⑨ x 1</b>	 <b>⑱ x 2</b>	 <b>A x 18</b>	 <b>J x 8</b>
		 <b>M6*38</b>	

A x 8



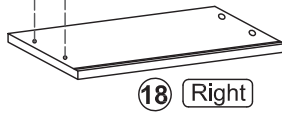
M6\*38

H x 1



M4\*18

A x 2

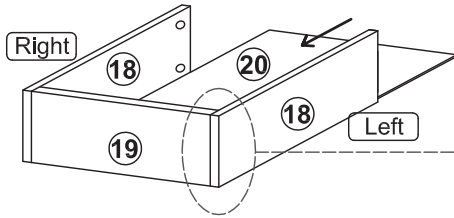


18 Right

A x 2

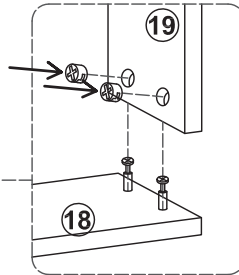


18 Left



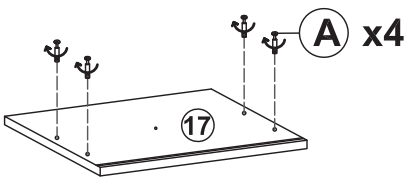
Right

Left



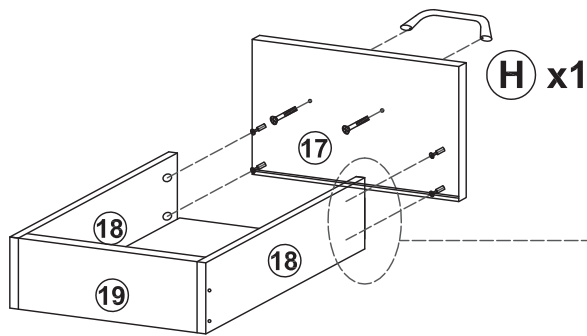
19

18



A x 4

17

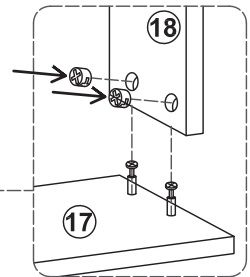


H x 1

17

19

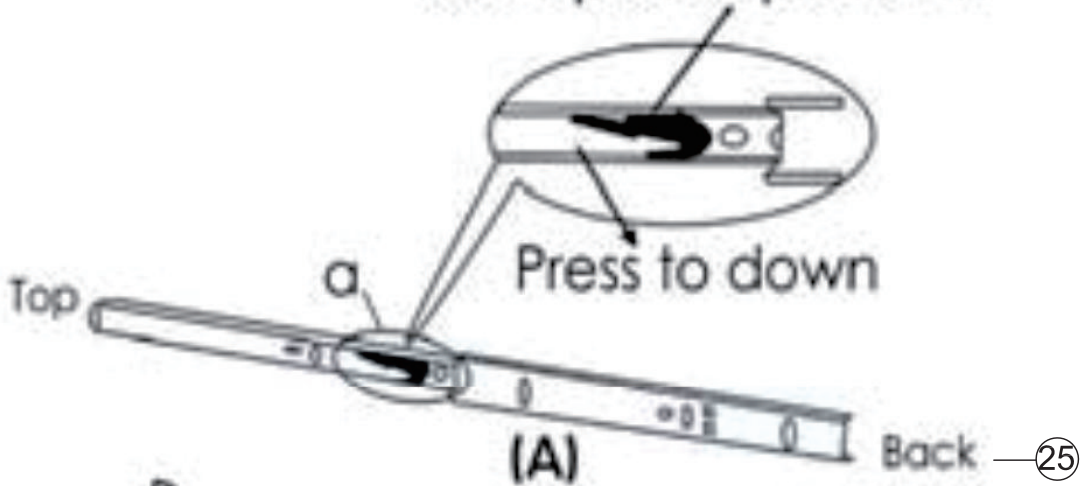
18



18

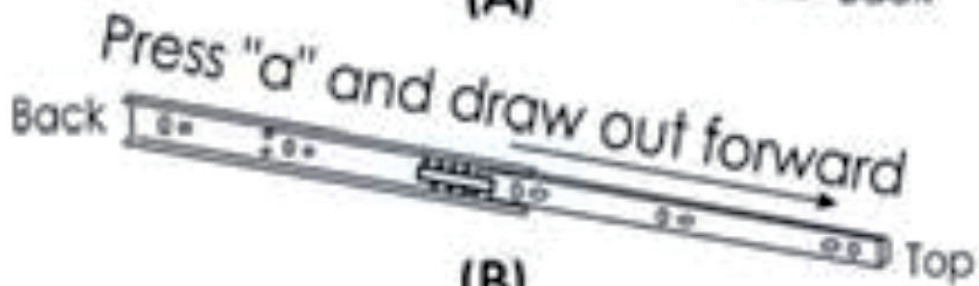
17

Black plastic piece "a"



(A)

(B)



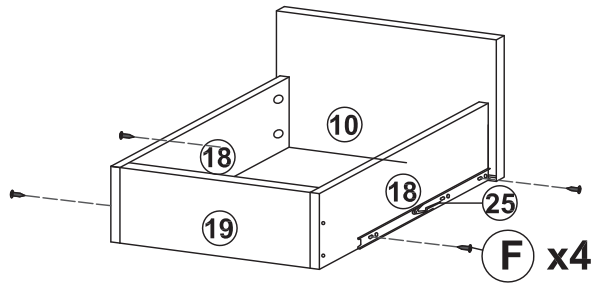
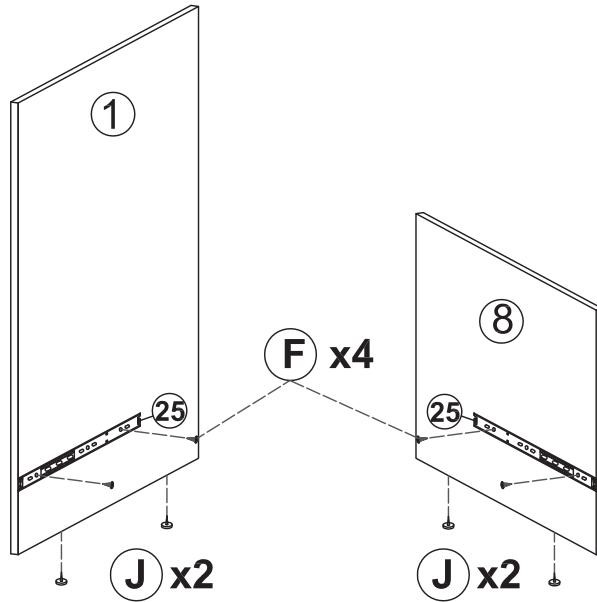
Press "a" and draw out forward

**F x 8**

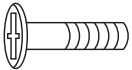


M4\*14

**J x 4**

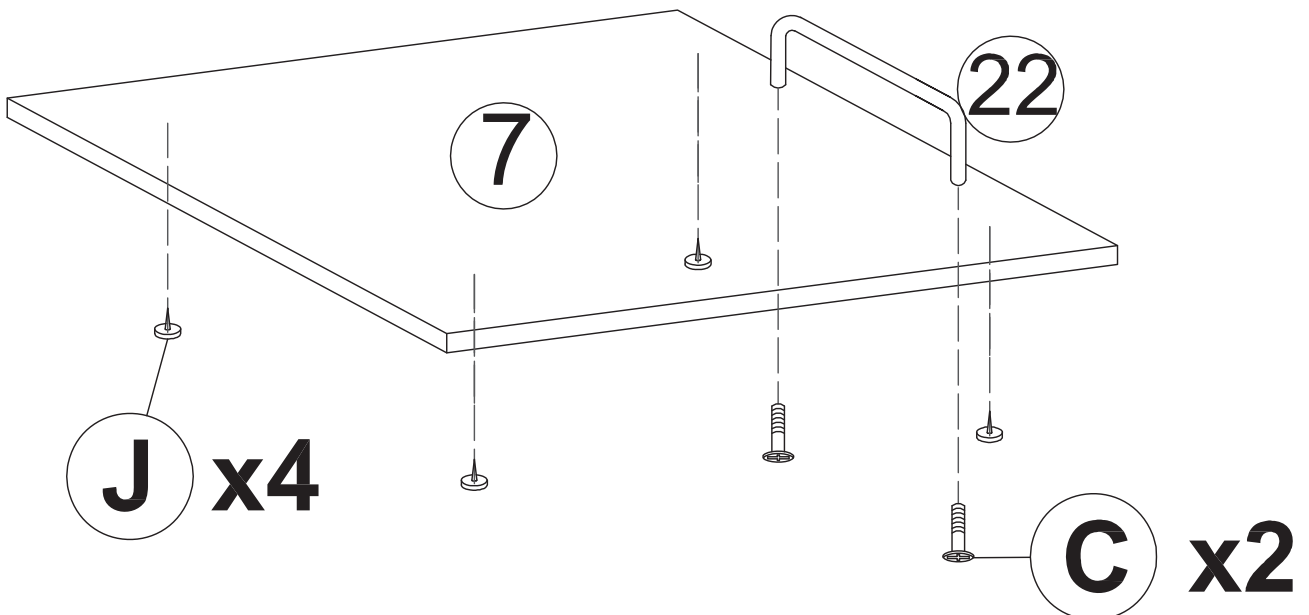


**C x 2**

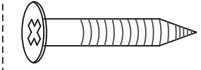


M6\*30

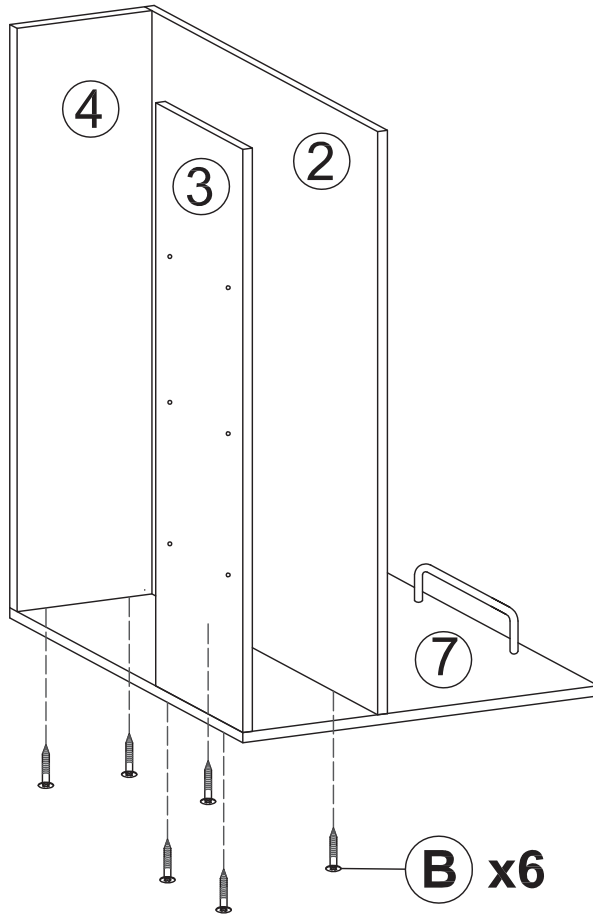
**J x 4**



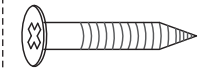
**B x 6**



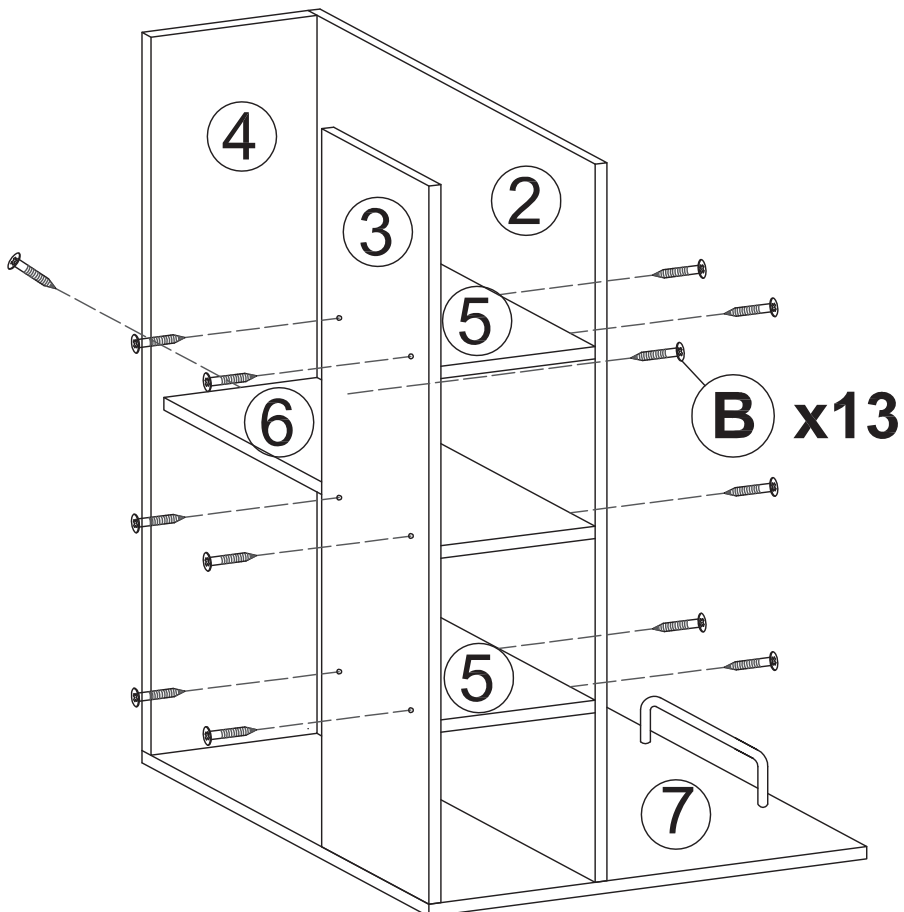
M5\*50



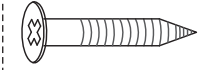
**B x 13**



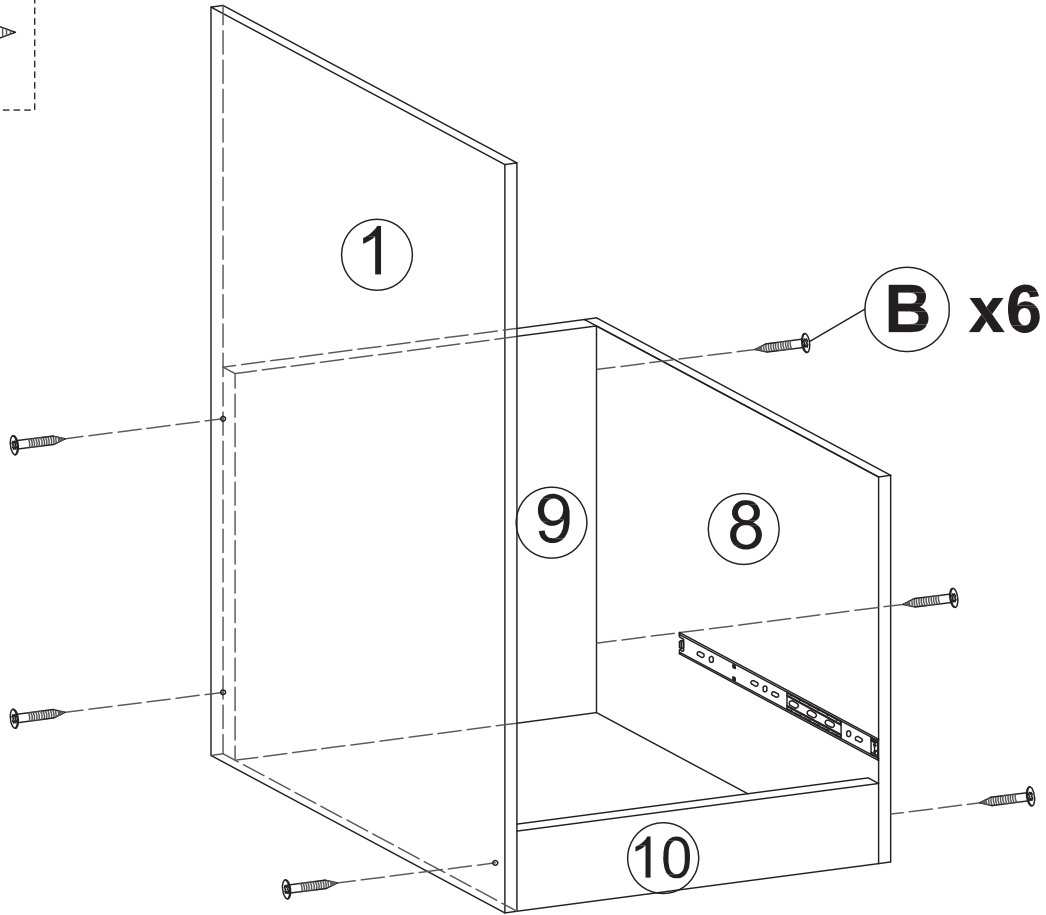
M5\*50



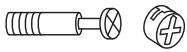
**B x 6**



M5\*50

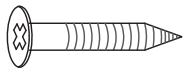


**A x 2**

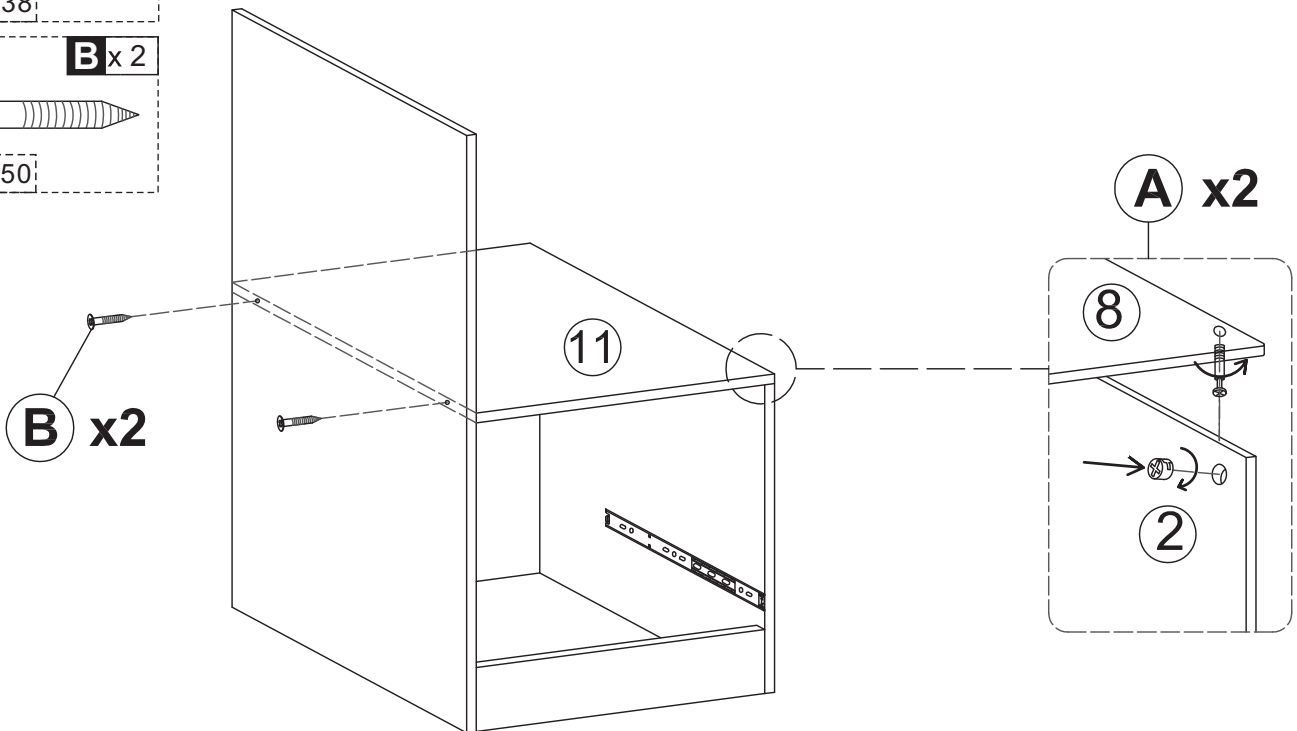


M6\*38

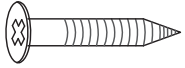
**B x 2**



M5\*50

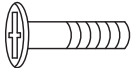


**B x 2**



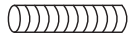
M5\*50

**C x 2**



M6\*30

**D x 2**



M6\*25

**I x 2**



**B x 2**

**D x 2**

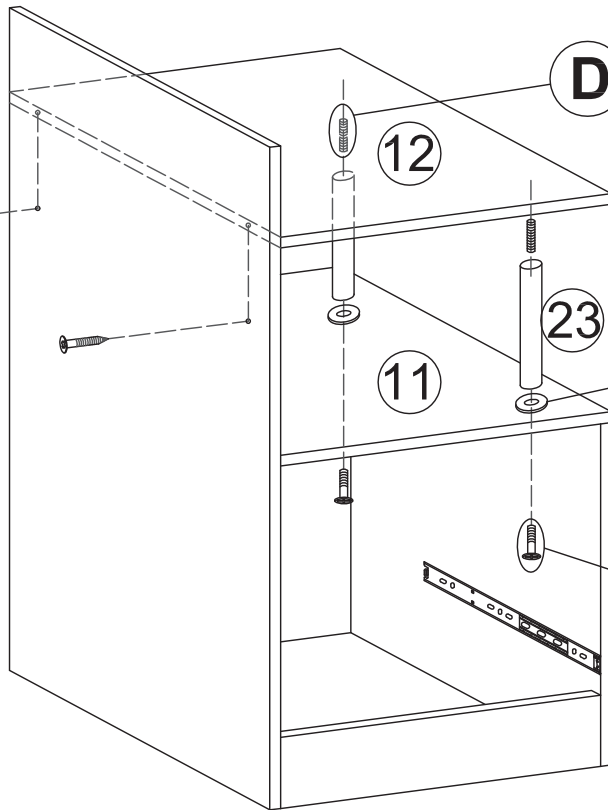
12

11

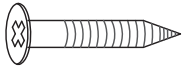
23

**I x 2**

**C x 2**



**B x 4**



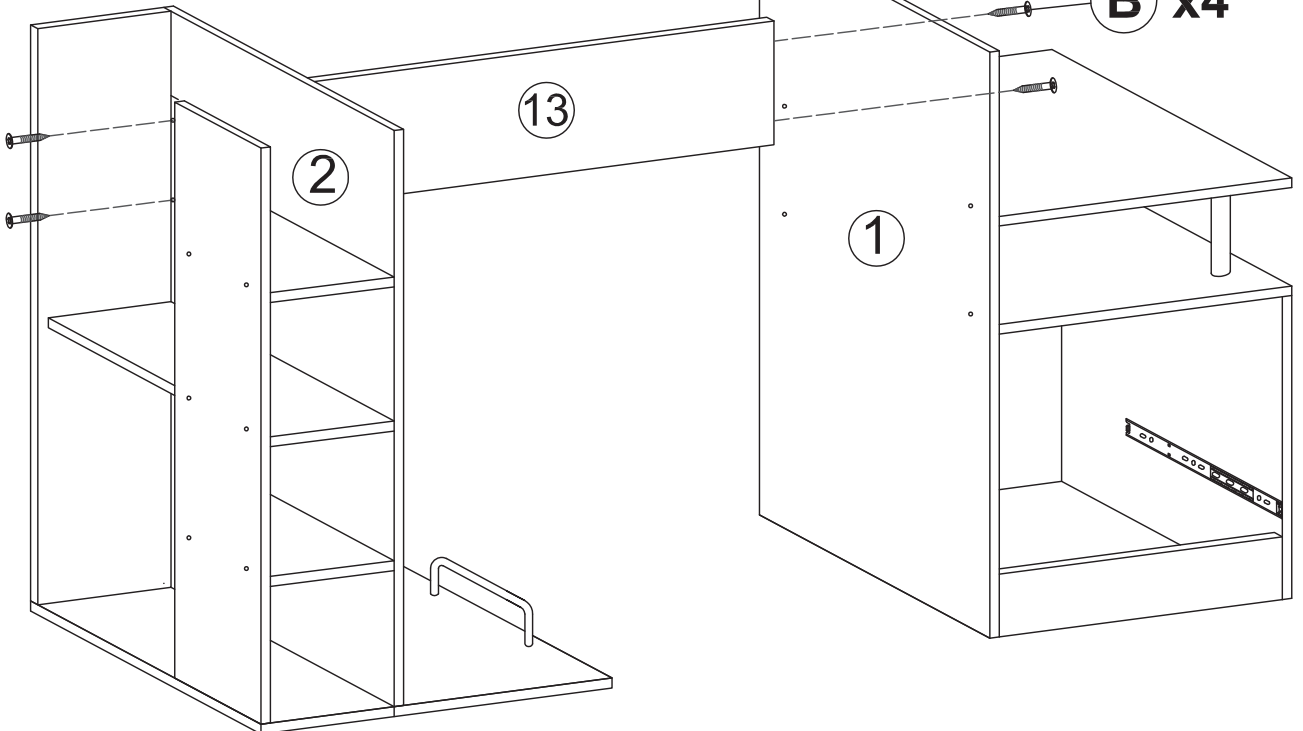
M5\*50

**B x 4**

13

2

1



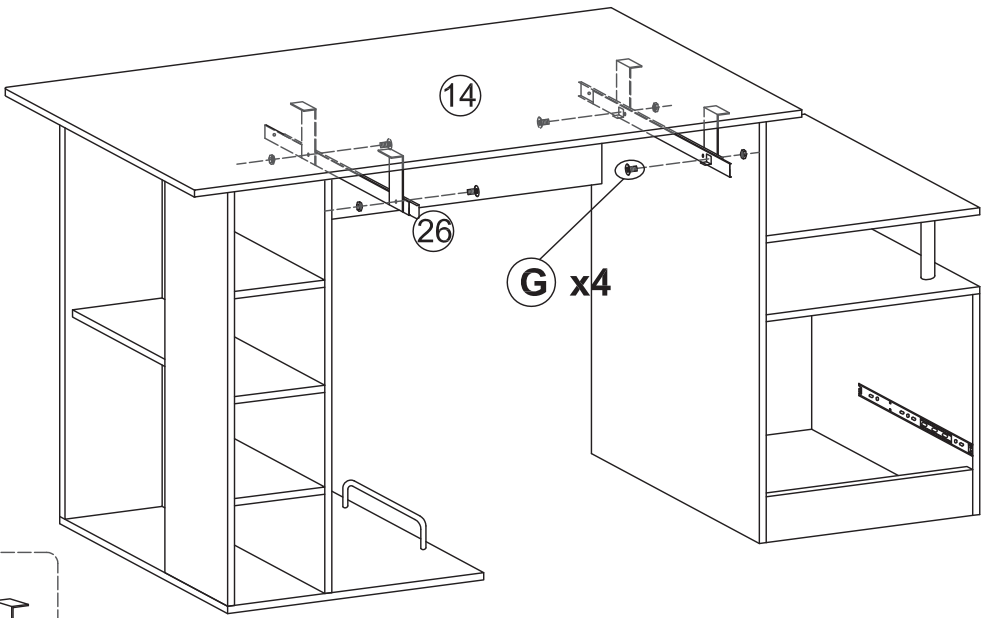




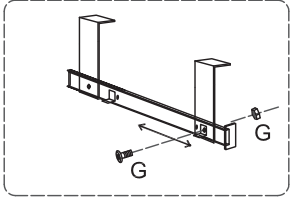
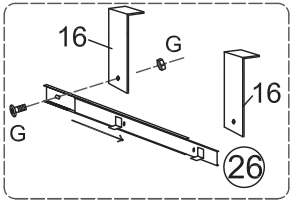
G x 4



M4\*6

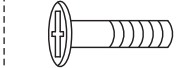


Right

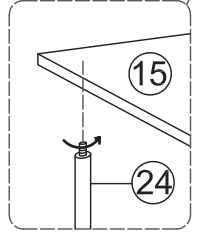
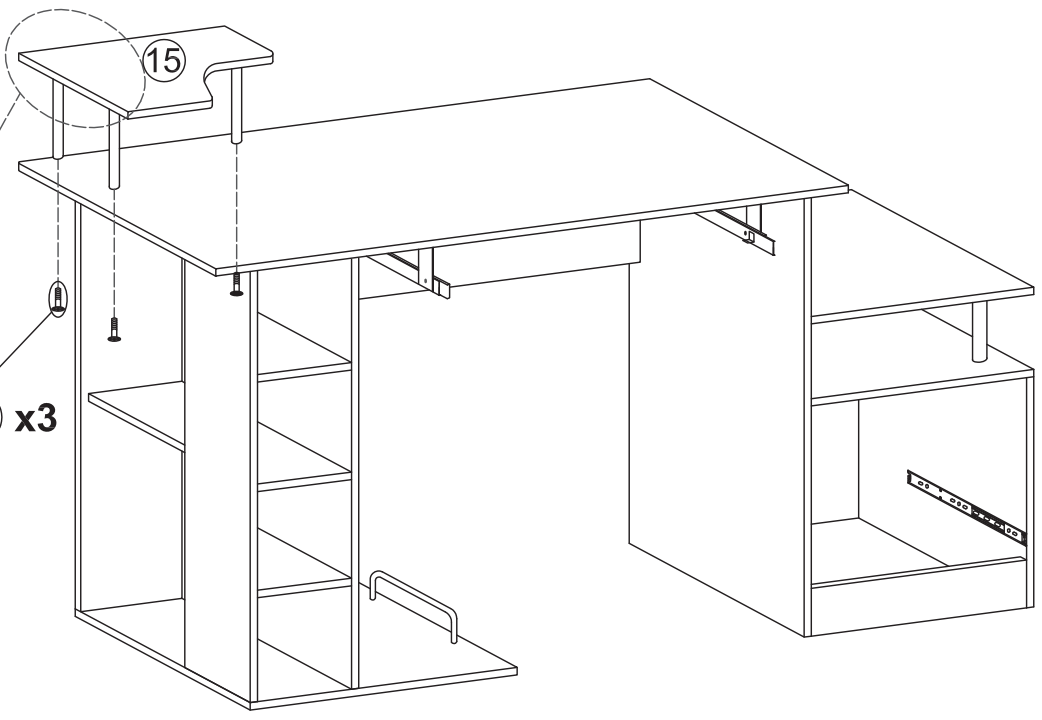


1. Slide open a part 26 slider and attach the back of the slider to part 16 with part G.
2. Align the front screw hole with the screw hole on part 16 ,then attach the front of the slider.
3. Repeat to attach left slider to the the other part 16 .

C x 3



M6\*30

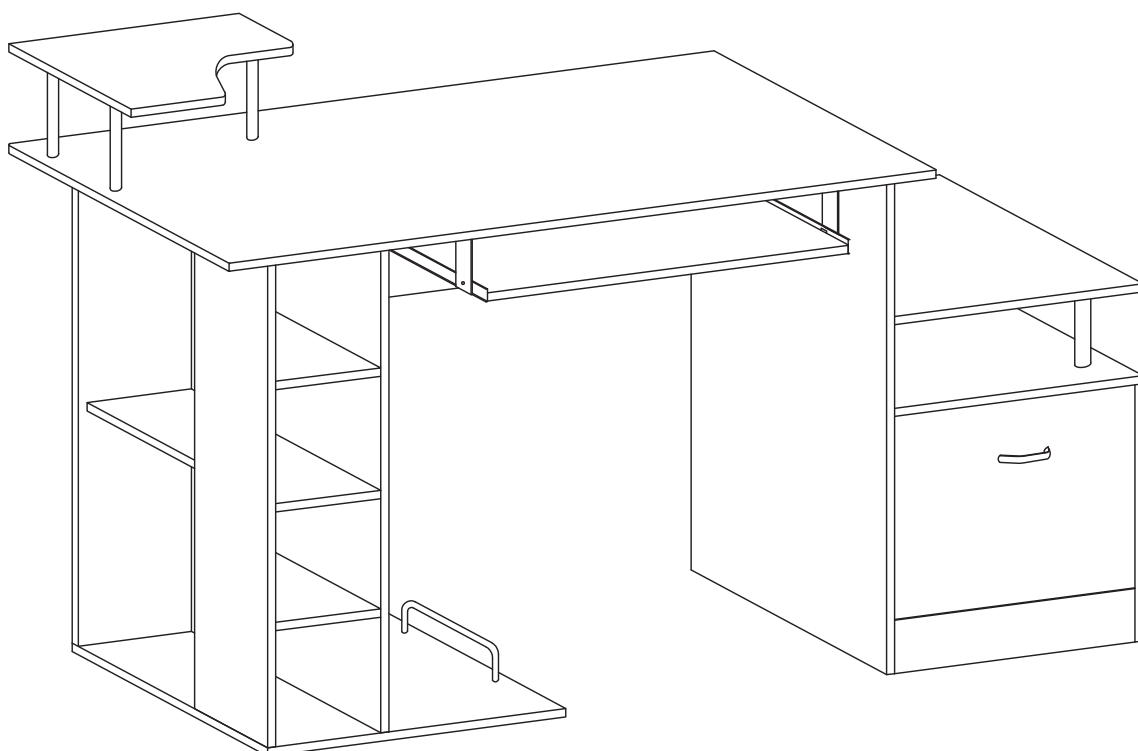
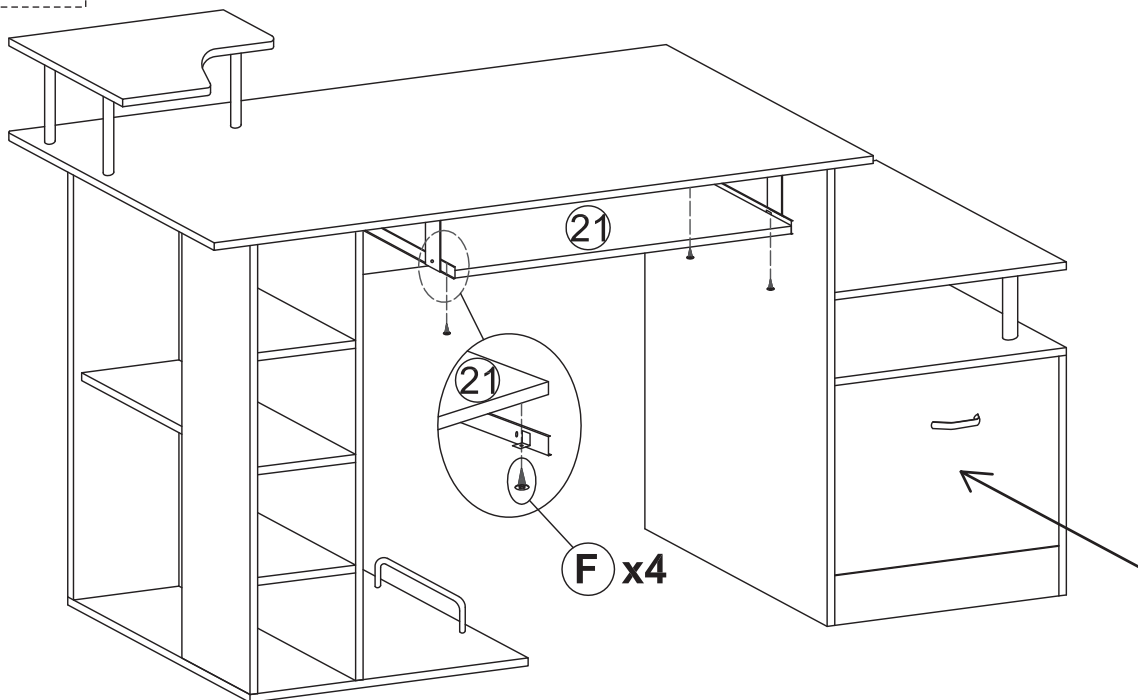


C x 3

F x 4



M4\*14



US



001-877-644-9366  
customerservice@aosom.com

CA



001-855-537-6088  
customerservice@aosom.ca

UK



0044-800-240-4004  
enquiries@mhstar.co.uk

DE



0049-(0)40-88307530  
service@aosom.de

FR



0033-1-84166106  
contact@aosom.fr

ES



0034-931294512  
atencioncliente@aosom.es

IT



0039-0249471447  
clienti@aosom.it