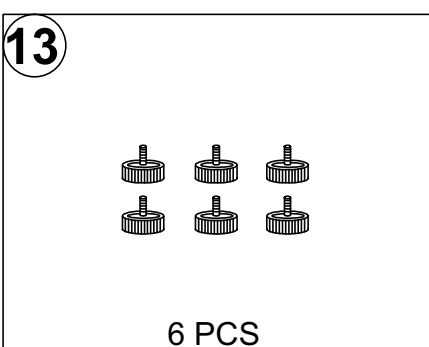
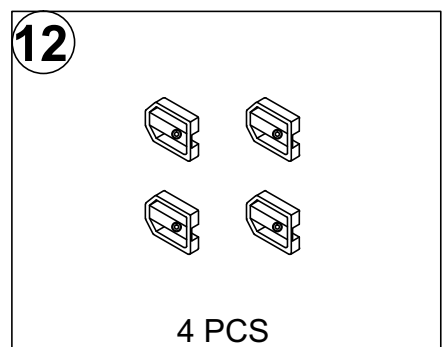
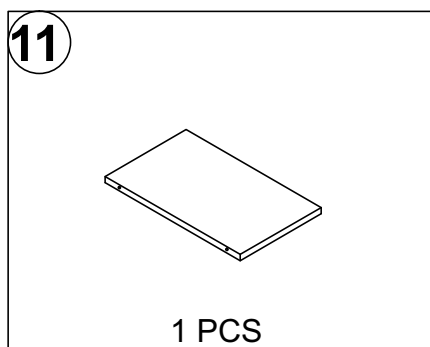
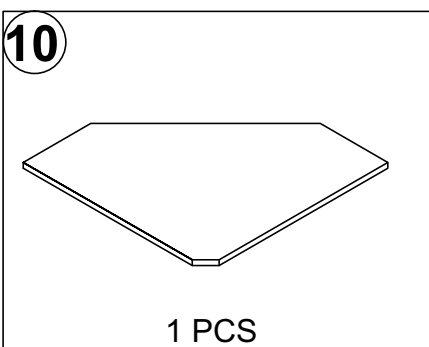
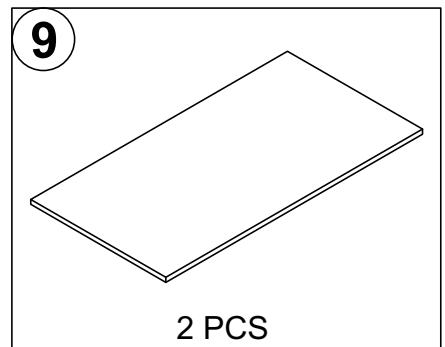
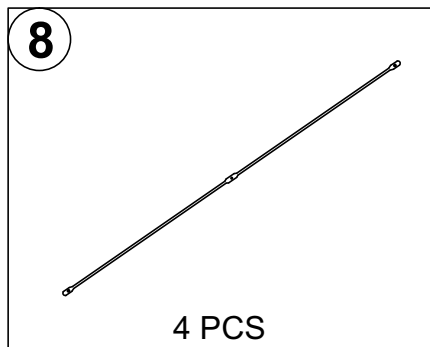
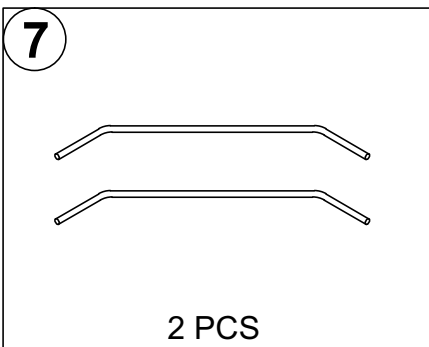
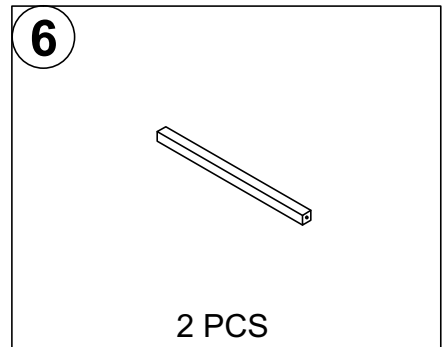
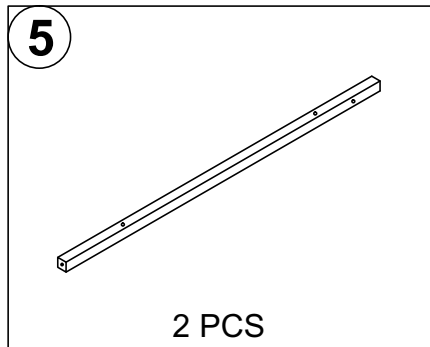
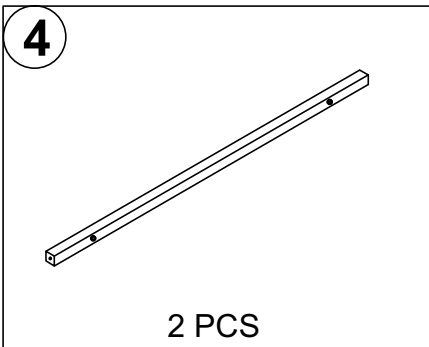
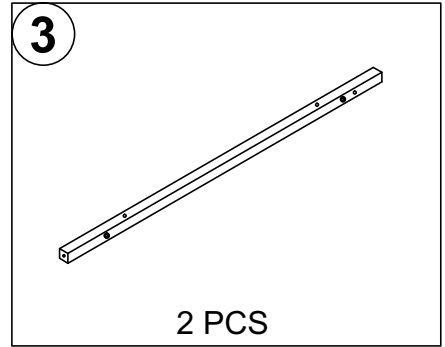
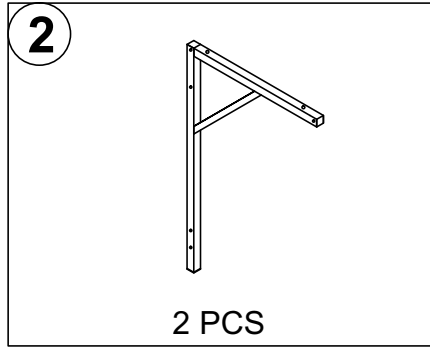
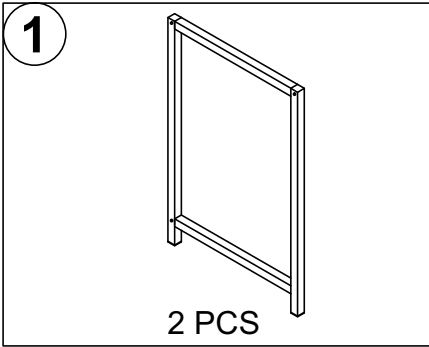


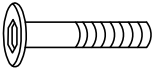
READ AND SAVE THIS INSTRUCTION FOR FUTURE USE

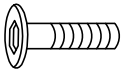
ASSEMBLY INSTRUCTION


PARTS

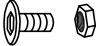



PARTS


A M6x40MM

18 PCS

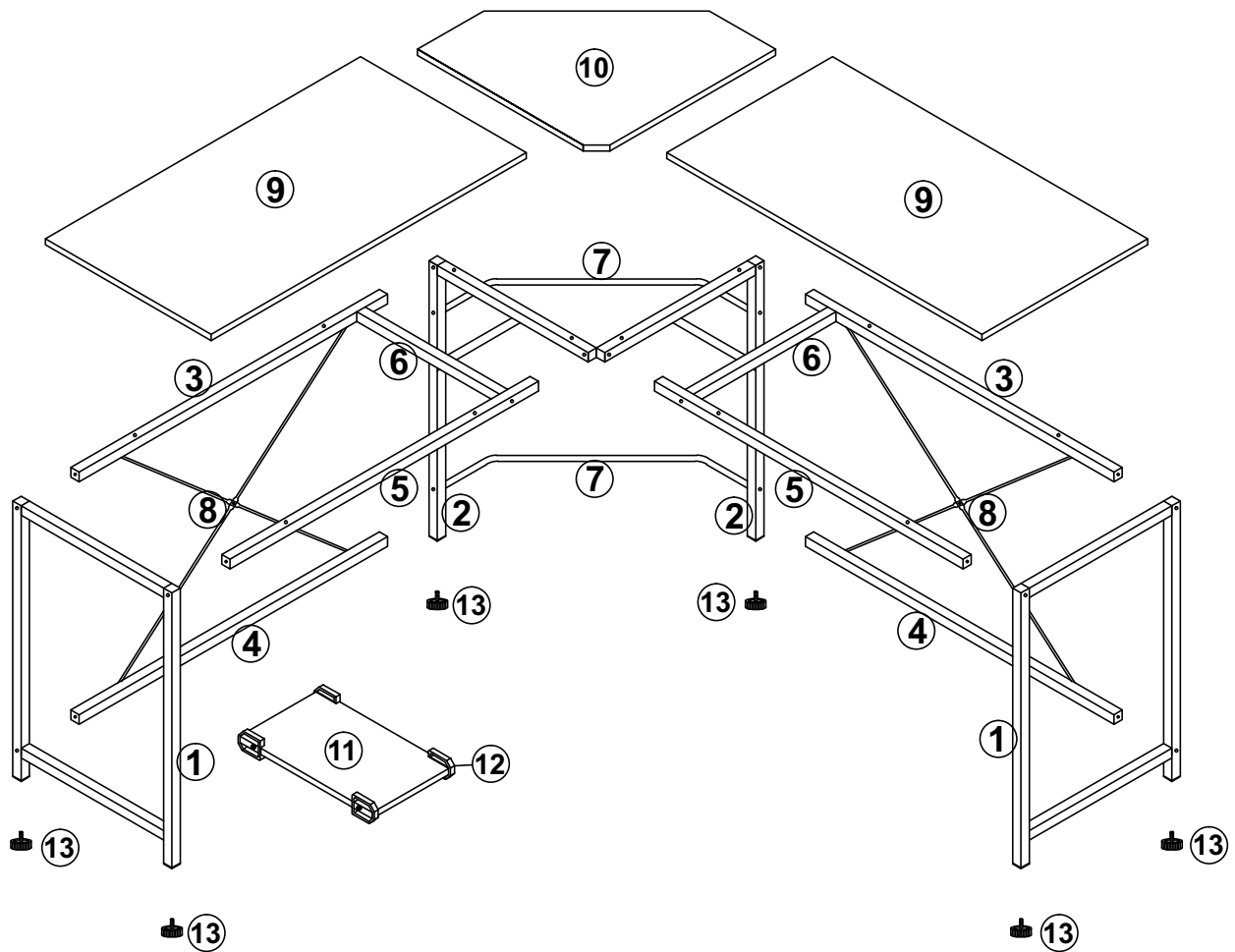
B M6x35MM

12 PCS

C M6x10MM

8 PCS

D M4x8MM

2 PCS

E M4x14MM

4 PCS

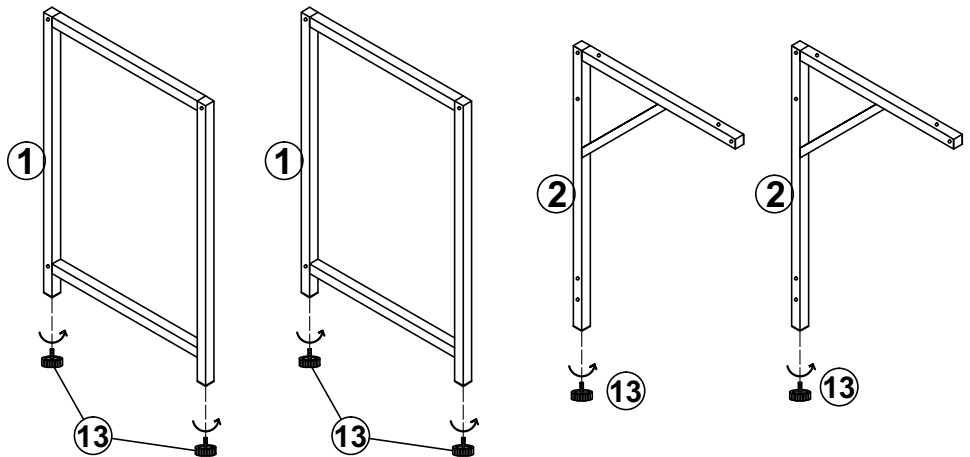
F

1 PCS



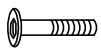
PRODUCT ASSEMBLY

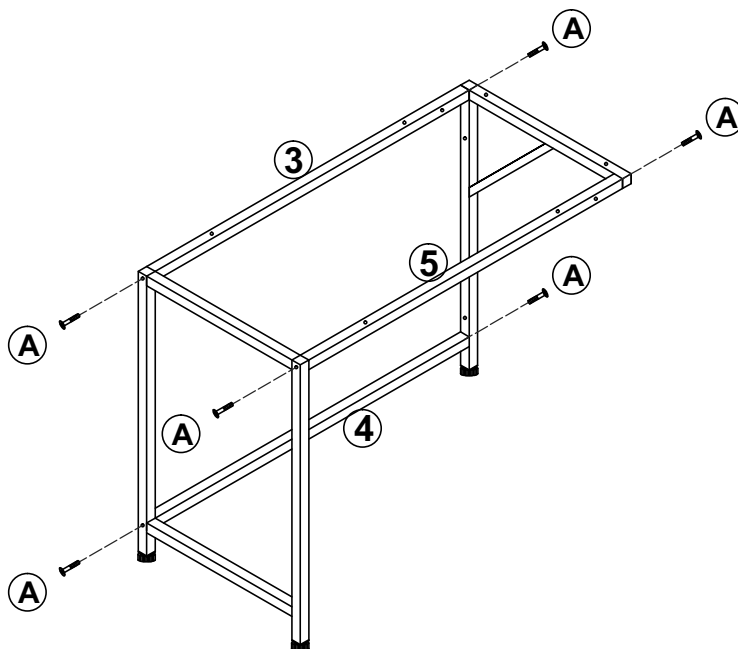
STEP 1

 13 x6

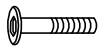


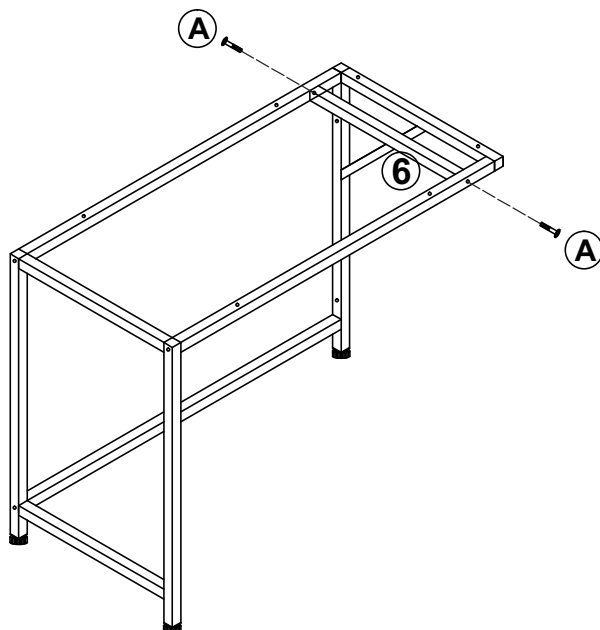
STEP 2


A x6



STEP 3


A x2



PRODUCT ASSEMBLY

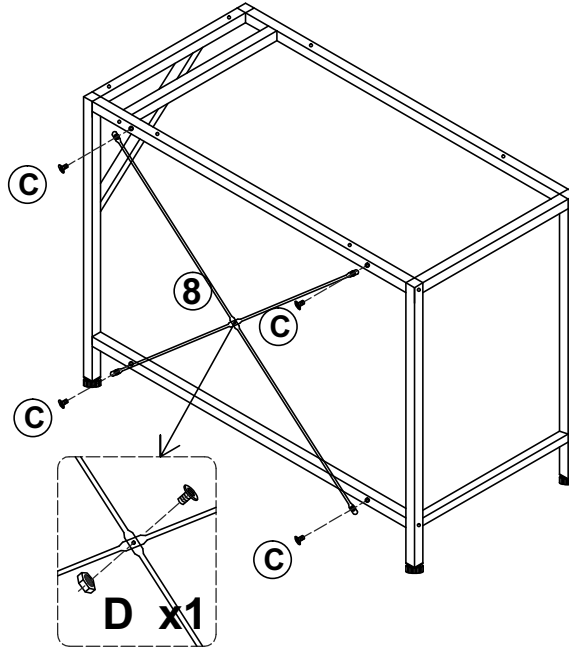
STEP 4



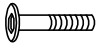
C x4



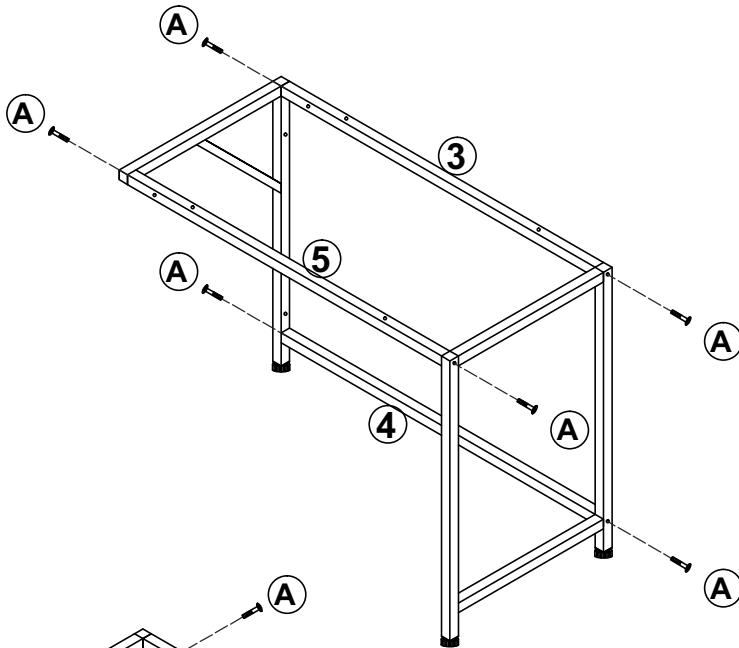
D x1



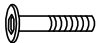
STEP 5



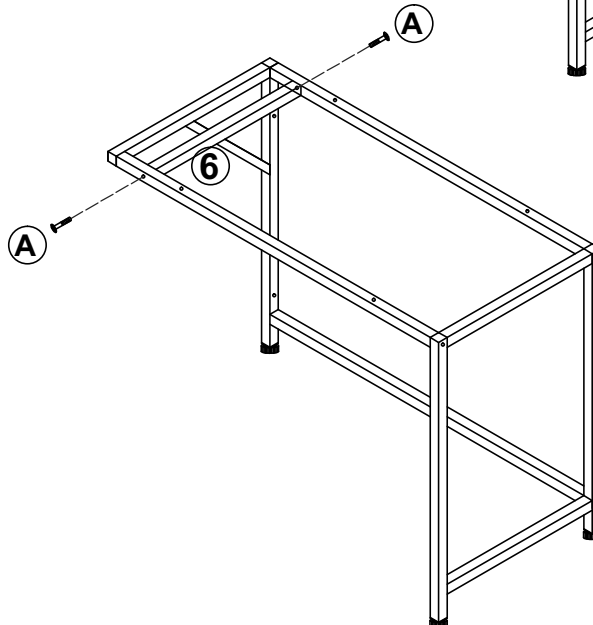
A x6



STEP 6



A x2



PRODUCT ASSEMBLY

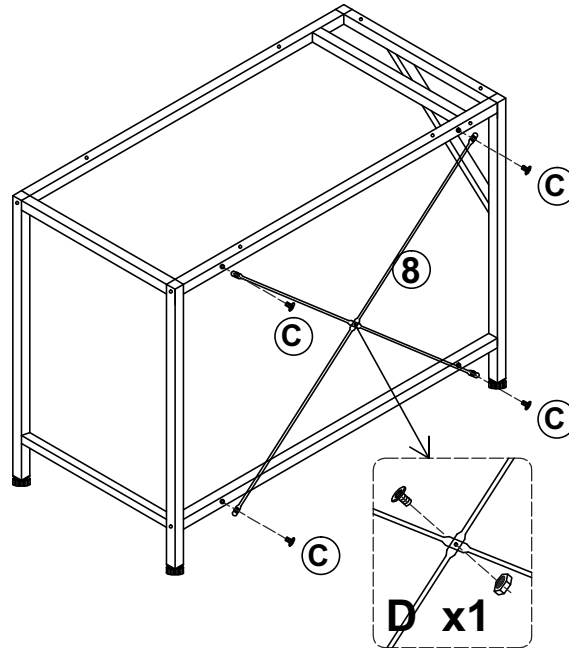
STEP 7



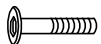
C x4



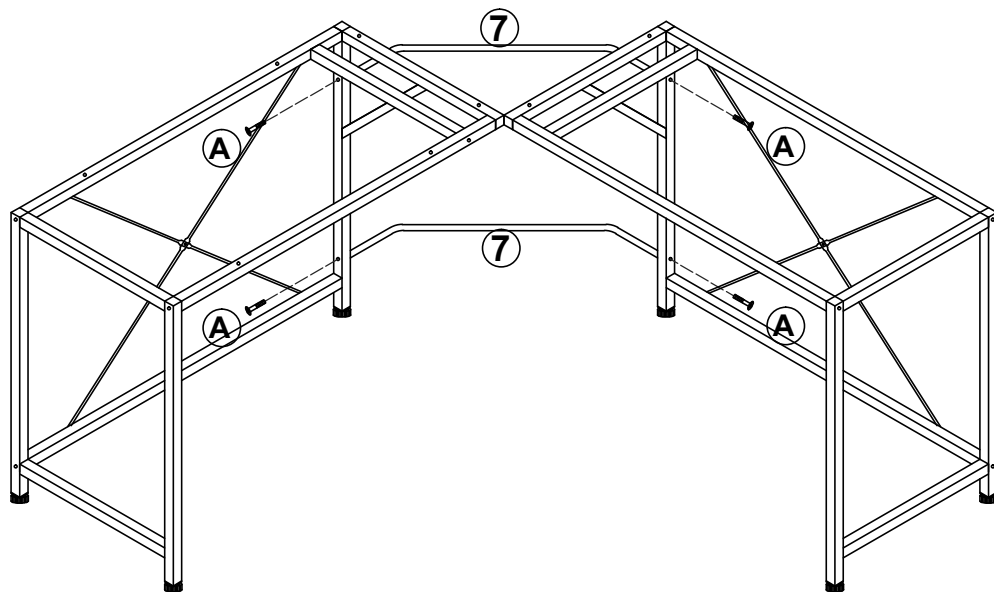
D x1



STEP 8



A x4



PRODUCT ASSEMBLY

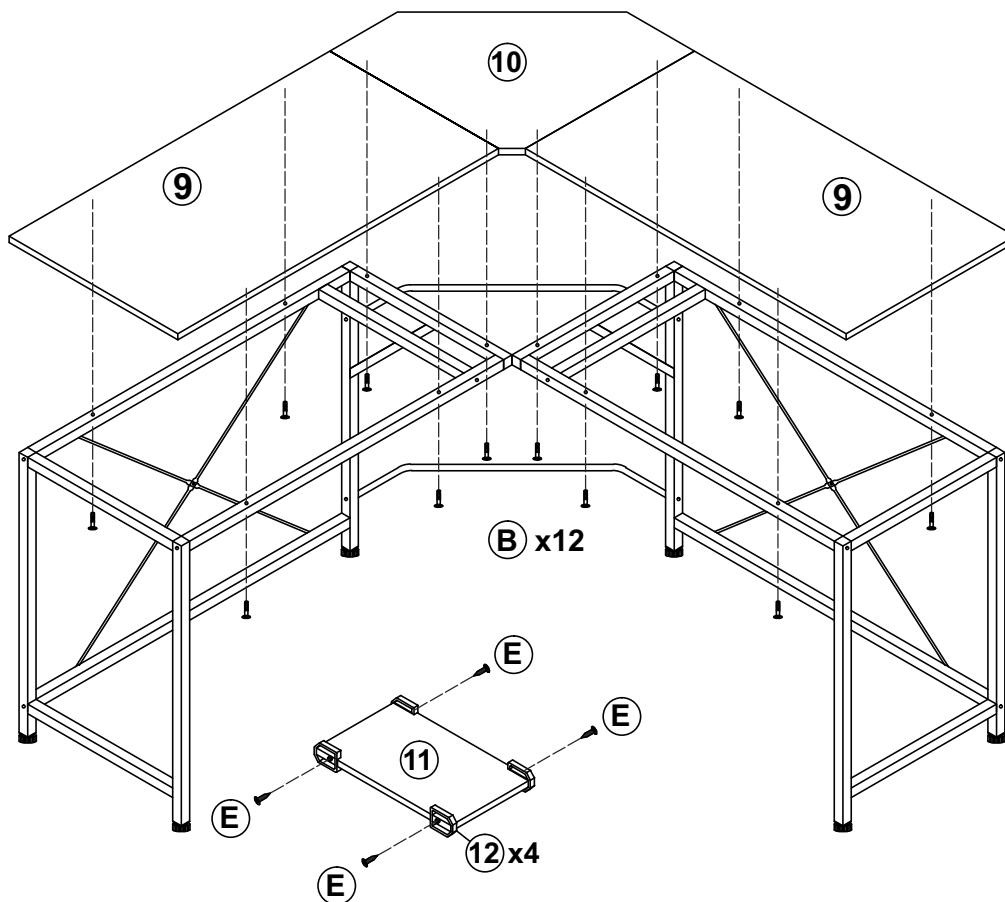
STEP 9



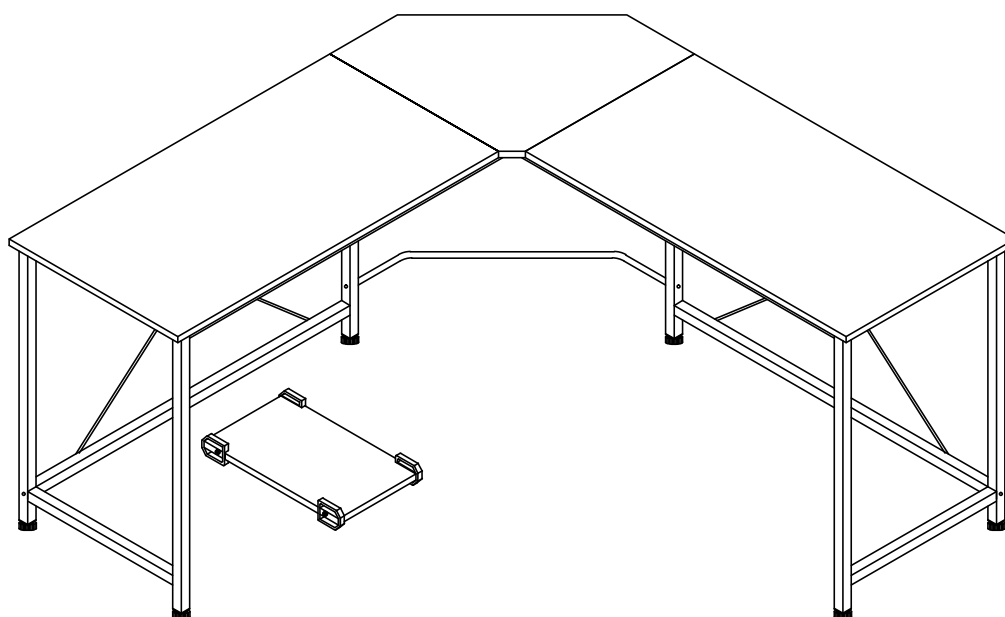
B x12



E x4



STEP 10



US



001-877-644-9366
customerservice@aosom.com

CA



001-855-537-6088
customerservice@aosom.ca

UK



0044-800-240-4004
enquiries@mhstar.co.uk

DE



0049-(0)40-88307530
service@aosom.de

FR



0033-1-84166106
contact@aosom.fr

ES



0034-931294512
atencioncliente@aosom.es

IT



0039-0249471447
clienti@aosom.it