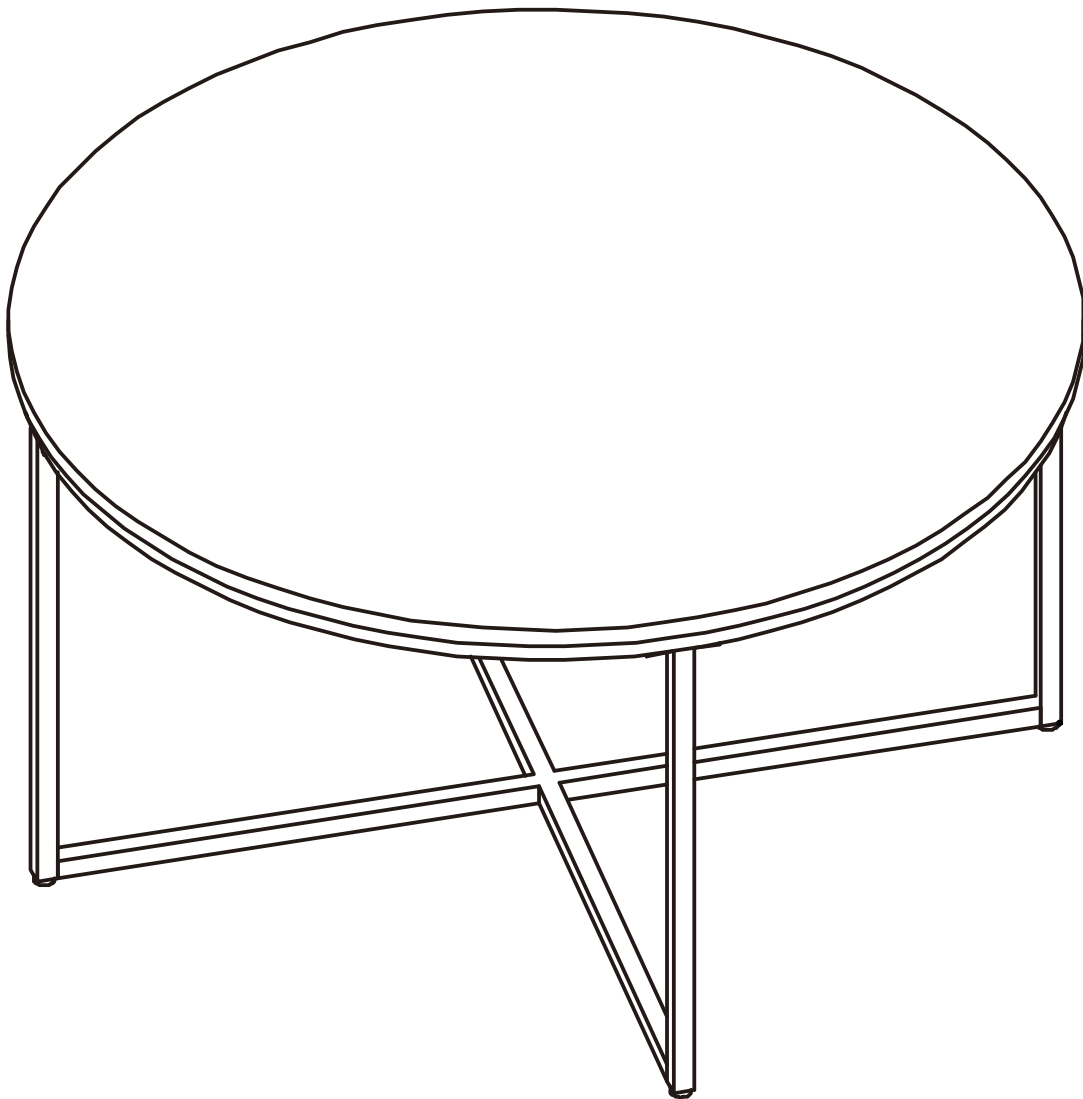




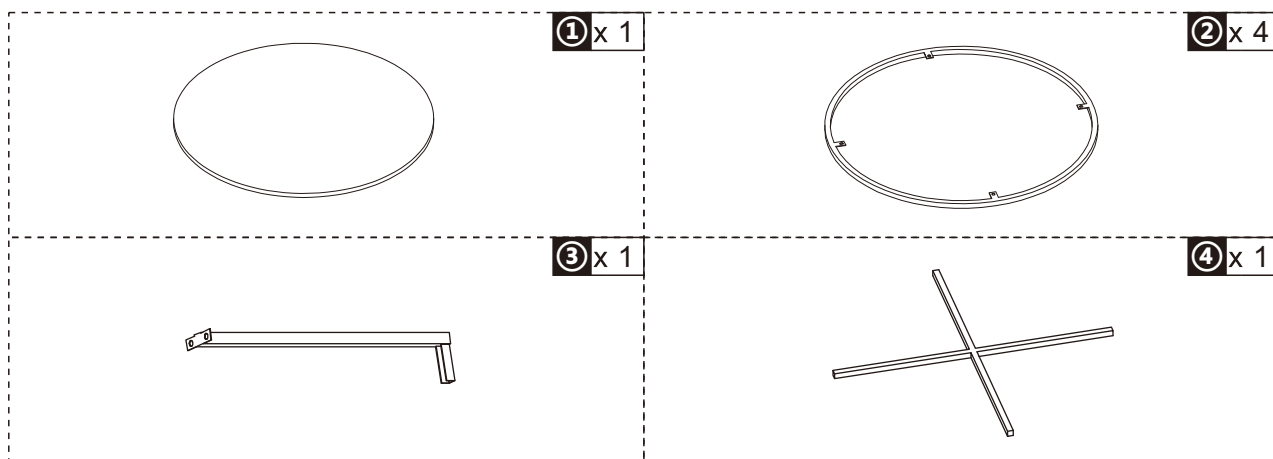
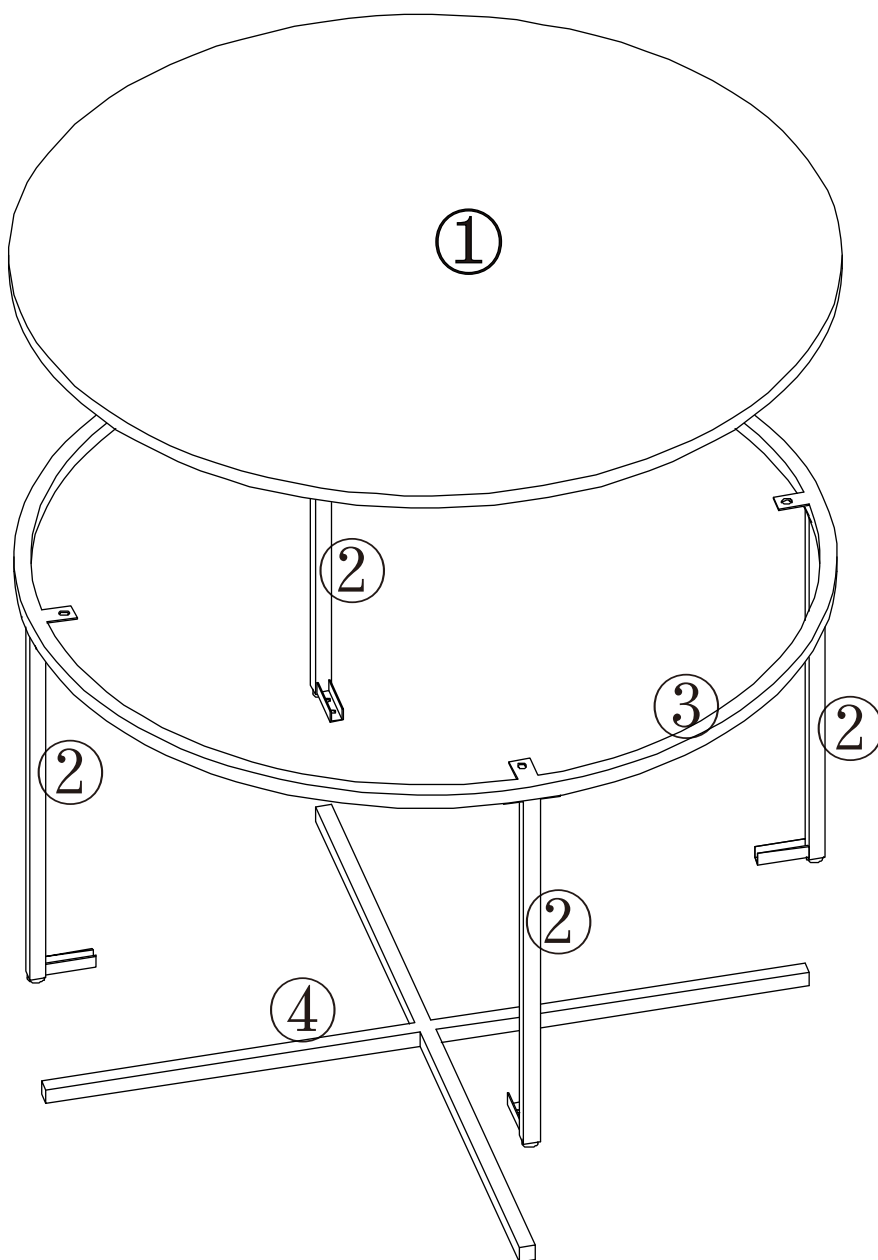
INcgb105V01_GL

833-741



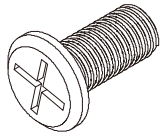
IMPORTANT, RETAIN FOR FUTURE REFERENCE: READ CAREFULLY

ASSEMBLY & INSTRUCTION MANUAL

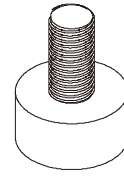



A x20


B x 4

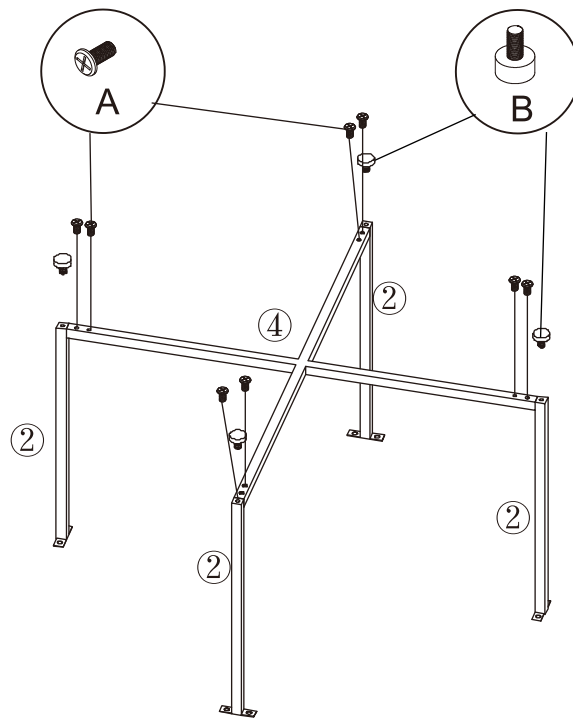


M6*12mm




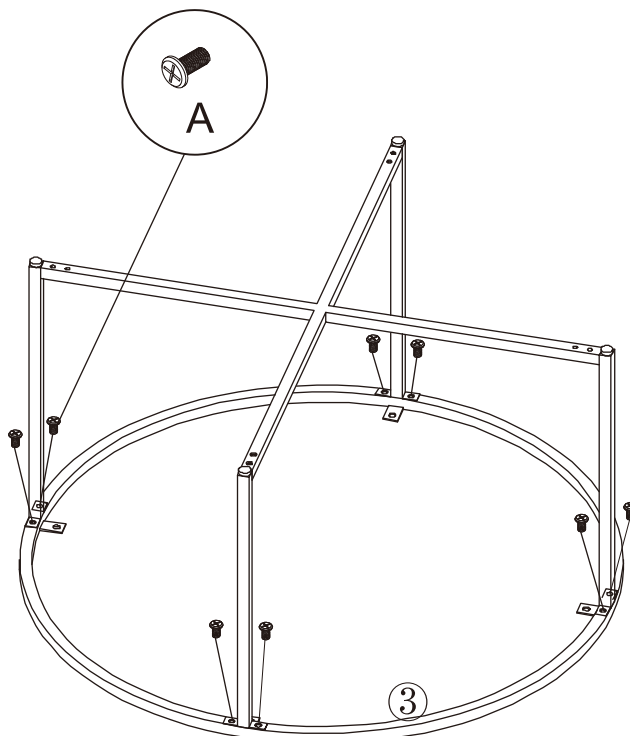
	
M6*12mm	
A	x 8

	
B	
X	4




01

	
M6*12mm	
A	x 8



02

	
M6*12mm	
A	× 4

