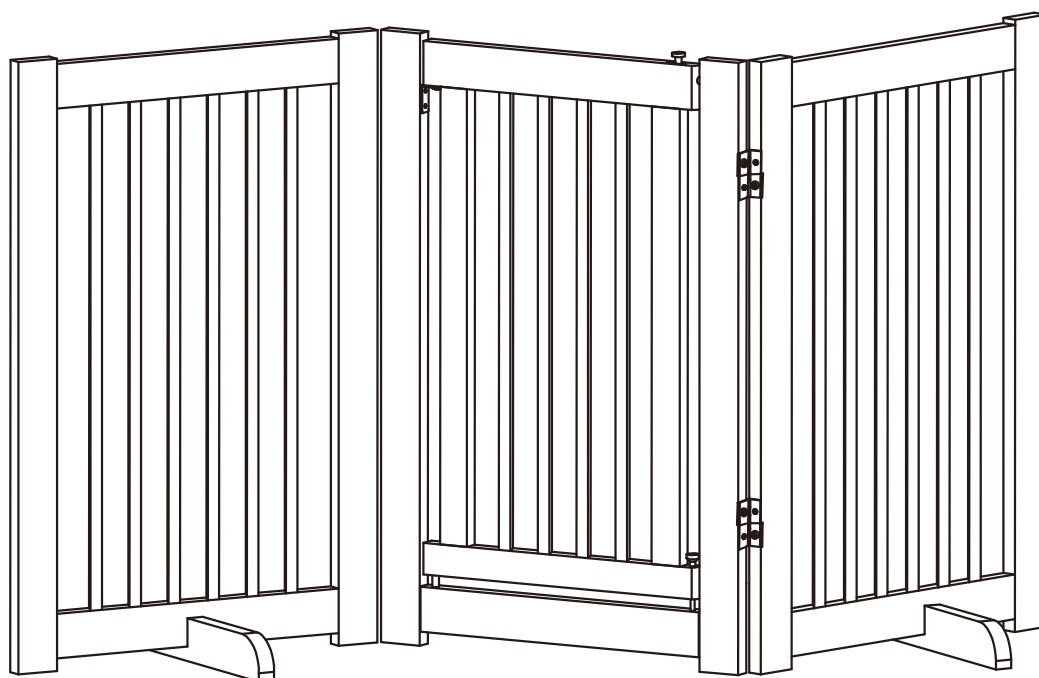


# PawHut

INdba034V03\_GL

**D06-047**

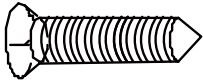


IMPORTANT, RETAIN FOR FUTURE REFERENCE: READ CAREFULLY

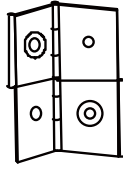
## ASSEMBLY & INSTRUCTION MANUAL

**HARDWARE**

**a** x16  
M3.5\*15



**b** x4  
M46\*46

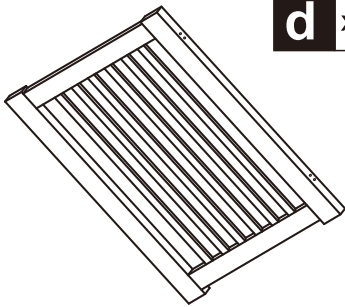


**c** x2  
M4\*35

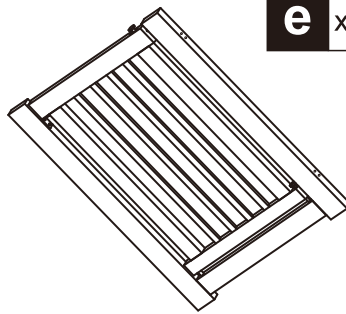


**PARTS**

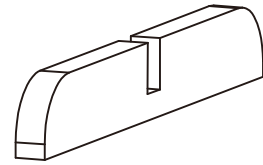
**d** x2



**e** x1

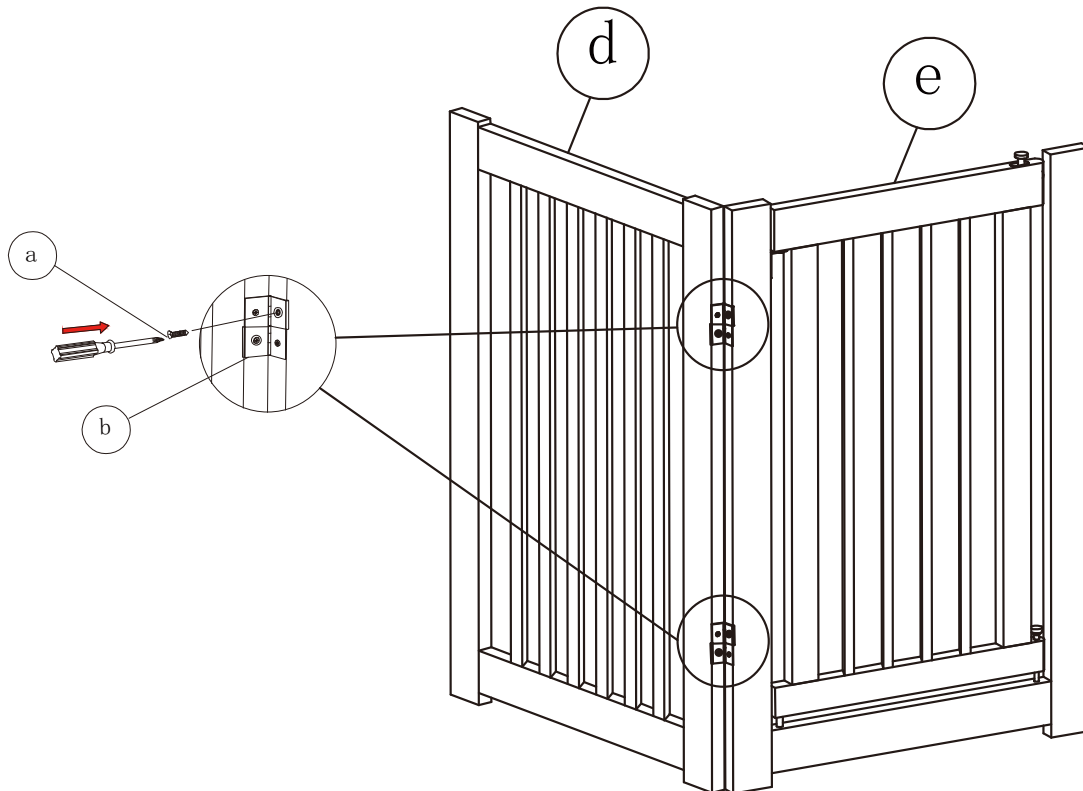




**f** x2

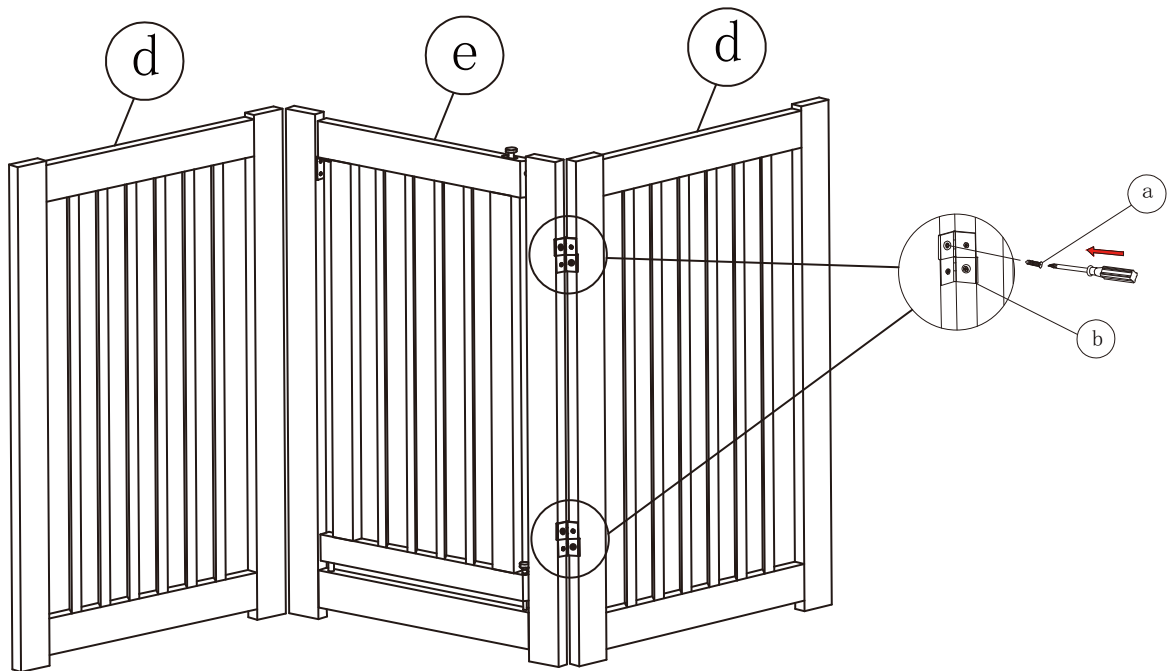



(a)		M3*20mm	8x
(b)		46*46mm	2x

**01**



(a)		M3*20mm	8x
(b)		46*46mm	2x



(c)		M4*35mm	2x
-----	---	---------	----

