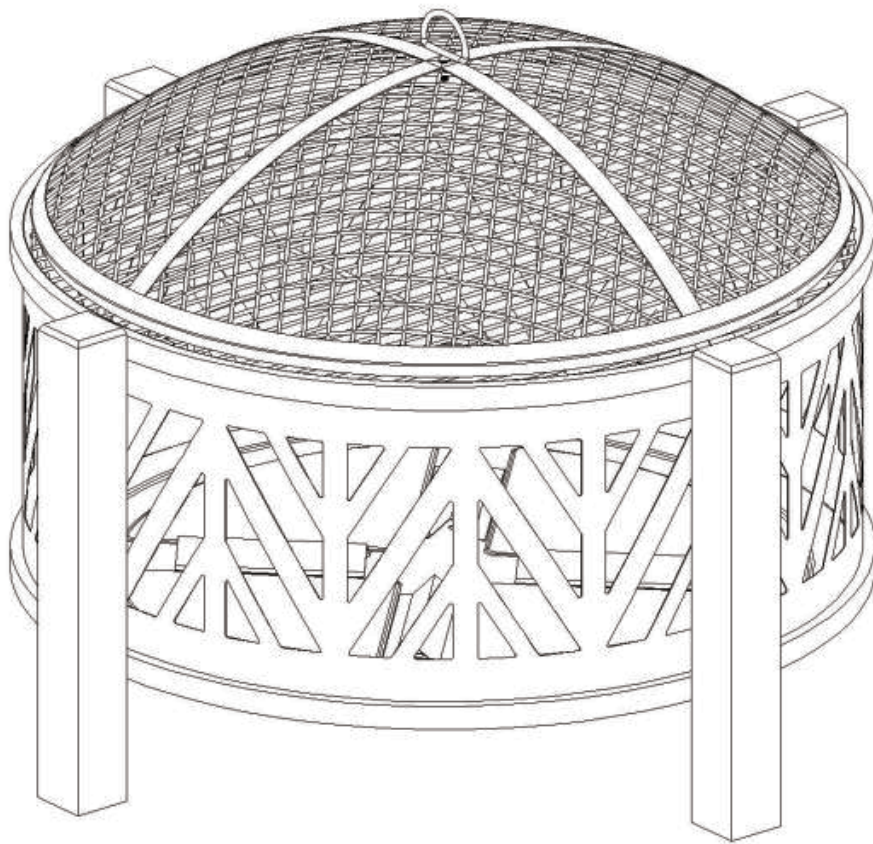




IN220901155V01_UK

842-172



FOYER PROFONDE 31"



IMPORTANT, RETAIN FOR FUTURE REFERENCE: READ CAREFULLY

ASSEMBLY INSTRUCTION

Dear customer,

Thank you for purchasing this product. So that your appliance serves you well, please read all the instructions in this user's manual. If you have any questions, please contact our customer care center.

Our contact details are below:

Country	 Phone	 Email
UK	0044-800-240-4004	enquiries@mhstar.co.uk

IMPORTER ADDRESS:

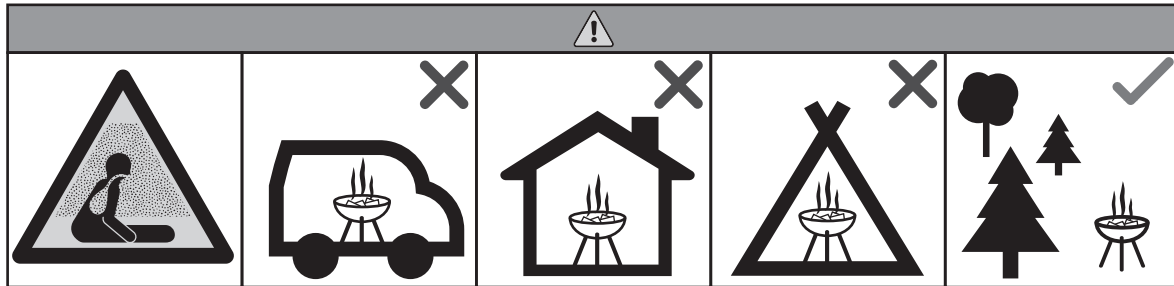
MH STAR UK LTD
Unit 27, Perivale Park,
Horsenden lane South
Perivale, UB6 7RH

MADE IN CHINA

IMPORTANT SAFEGUARDS



READ ALL INSTRUCTIONS BEFORE USE.



- The barbecue shall be heated up and the fuel kept red hot for at least 30 min prior to the first cooking.
- Do not use this product indoors or in enclosed areas (e.g., tents) even if ventilation is provided, and do not store the product indoors with freshly used coals; burning charcoal releases carbon monoxide, which is toxic to humans and animals.
- DO NOT use near flammable or combustible objects or materials.
- Do not cook before the fuel has a coating of ash.
- The barbecue shall be heated up and the fuel kept red hot for at least 30min prior to the first cooking.
- WARNING! This barbecue will become very hot, do not move it during operation.
- Do not use indoors!
- WARNING! Do not use spirit or petrol for lighting or re-lighting!
- Use only firelighters complying to EN 1860-3!
- WARNING! Keep children and pets away.
- The maximum amount of wood logs shall not exceed 5kg.
- Keep out of the reach of children and pets. Extra caution is necessary when using this product near children.
- Do not use this product if you are under the influence of alcohol or prescription/non-prescription drugs, as these substances may impair your ability to safely use the product.
- Do not leave the product unattended while it is in use.
- Do not move the product while it is in use or hot; allow the product to cool completely before handling.
- Ensure the product is fully and securely assembled before each use.
- Keep hair, clothing, and jewelry away from the coals when lighting and away from flames.
- Do not touch hot surfaces; always wear protective, heat-resistant mitts/gloves when using this product.
- Do not use this product on or near recreational vehicles or boats.
- Do not insert use paper, cardboard, or similar material into the flames or coals.
- Do not repair or repaint the product; discard if damaged.
- Do not build large fires in this product; it is intended for small fires only.
- Always place the product on a flat, level, stable, heat-resistant surface.
- When the appliance is in use, the handle can reach extreme temperatures that can cause serious injury to an unprotected hand. Use an appropriate heat resistant glove or pad when handling.
- The necessity for maintaining proper clearances from combustible construction is 10 feet (3 M).., which is the specific minimum clearances from such construction to the sides and back of the outdoor appliance, and that the appliance shall not be used under overhead combustible construction.
- This product is intended solely for outdoor, non-commercial use in cooking foods for human consumption; do not use for any other purpose.
- Do not use water to extinguish coals or cool the product.
- Do not use attachments not recommended or sold by the product manufacturer.
- Always use heat-resistant utensils with the product.

PREPARATION

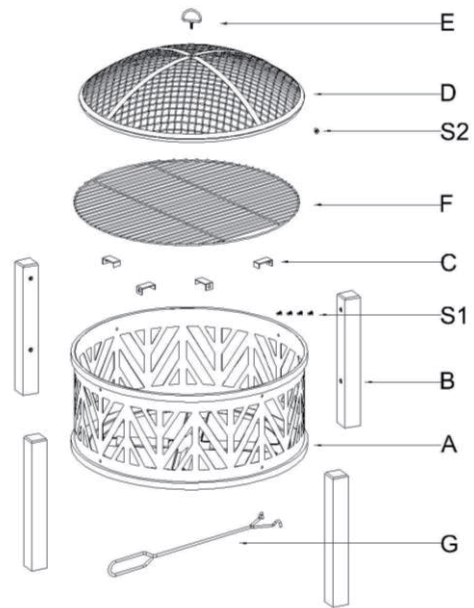
Before beginning assembly of product, make sure all parts are present. Compare parts with package contents list and hardware contents above. If any part is missing or damaged, do not attempt to assemble the product. Contact customer service for replacement parts.

FIRE PIT PARTS LIST

No.	PARTS	Qty
A	Bowl	1
B	Legs	4
C	Support Holders	4
D	Spark screen	1
E	Spark Handle	1
F	Cooking grill	1
G	Poker	1

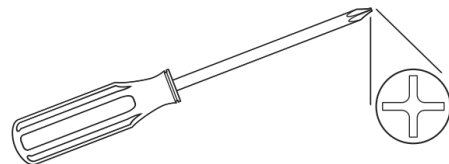
HARDWARE LIST

No.	Hardware	Qty
S1	M6 x25 mm Bolt	8+1(spare)
S2	N6 Nut	1



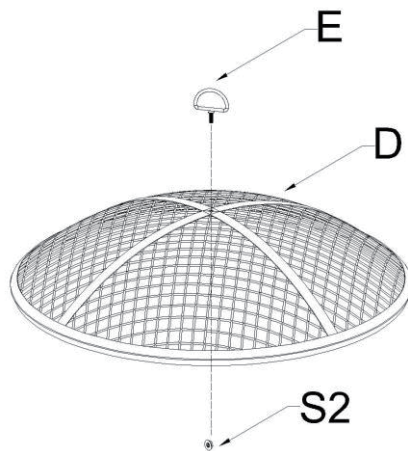
Estimated Assembly Time: 10 minutes.

Tools Required for Assembly: M6 Wrench (Not Included) and Phillips Screwdriver (Not Included)

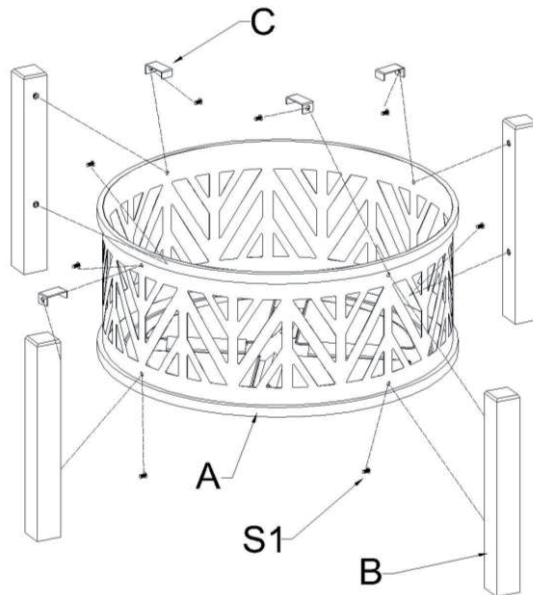


Step by Step Assembly Instructions:

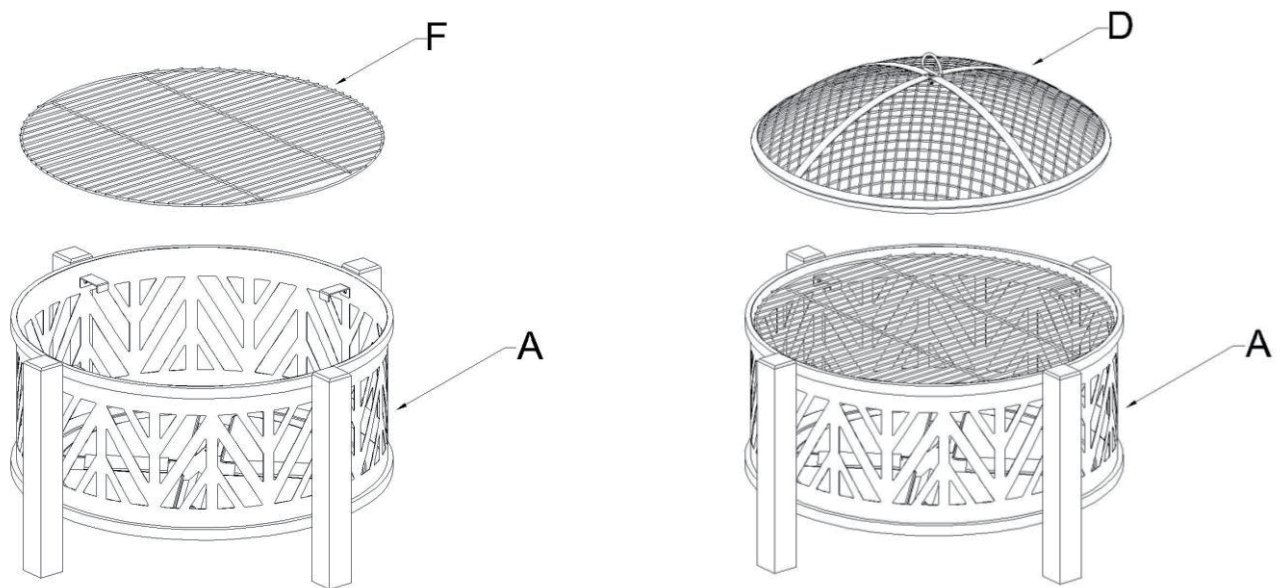
Step1: Attach Handle (E) to the Spark screen (D) using N6 nut (S2) to tighten.



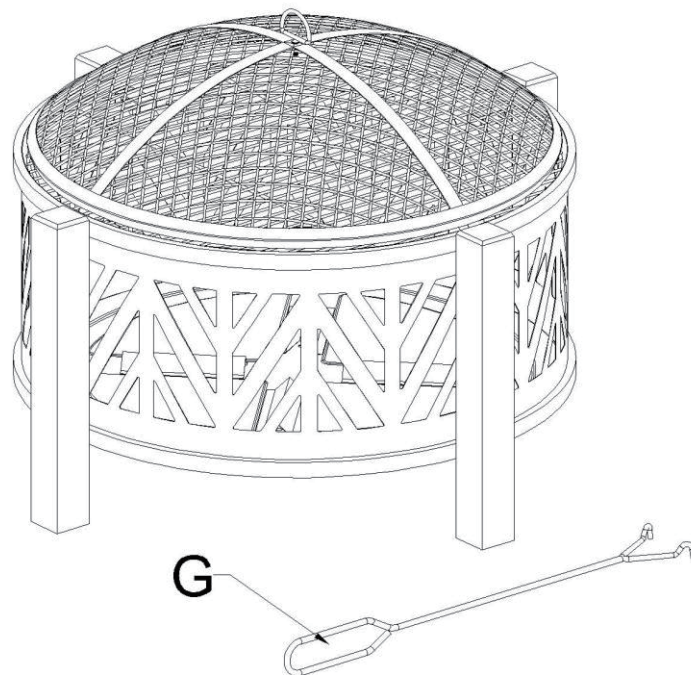
Step 2: Attach the leg (B) to the bowl side, using 8 of the M6 x 25mm bolt fasten the support holders (C) to tighten.



Step 3: Put the cooking grill (F) and Spark screen (D) on the bowl.



Step 4: Now the fire pit is ready for using, keep the poker beside the fire pit.



Before using, add a 1-1.5 in. layer of sand or about 10 lbs. (size wise, its the same amount as two 5 lb. bags of sugar) to the bottom of the firebowl.

This will help neutralize the corrosive nature of the ashes and help radiate the heat upwards.