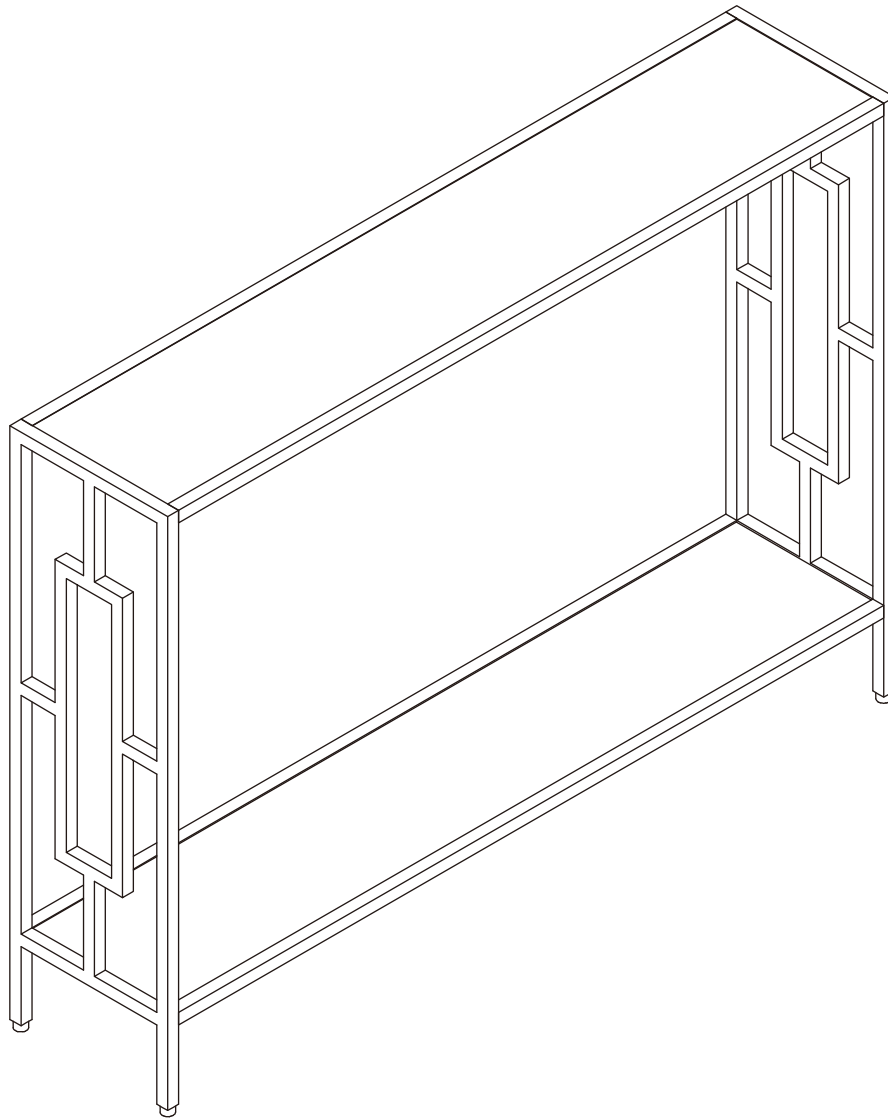




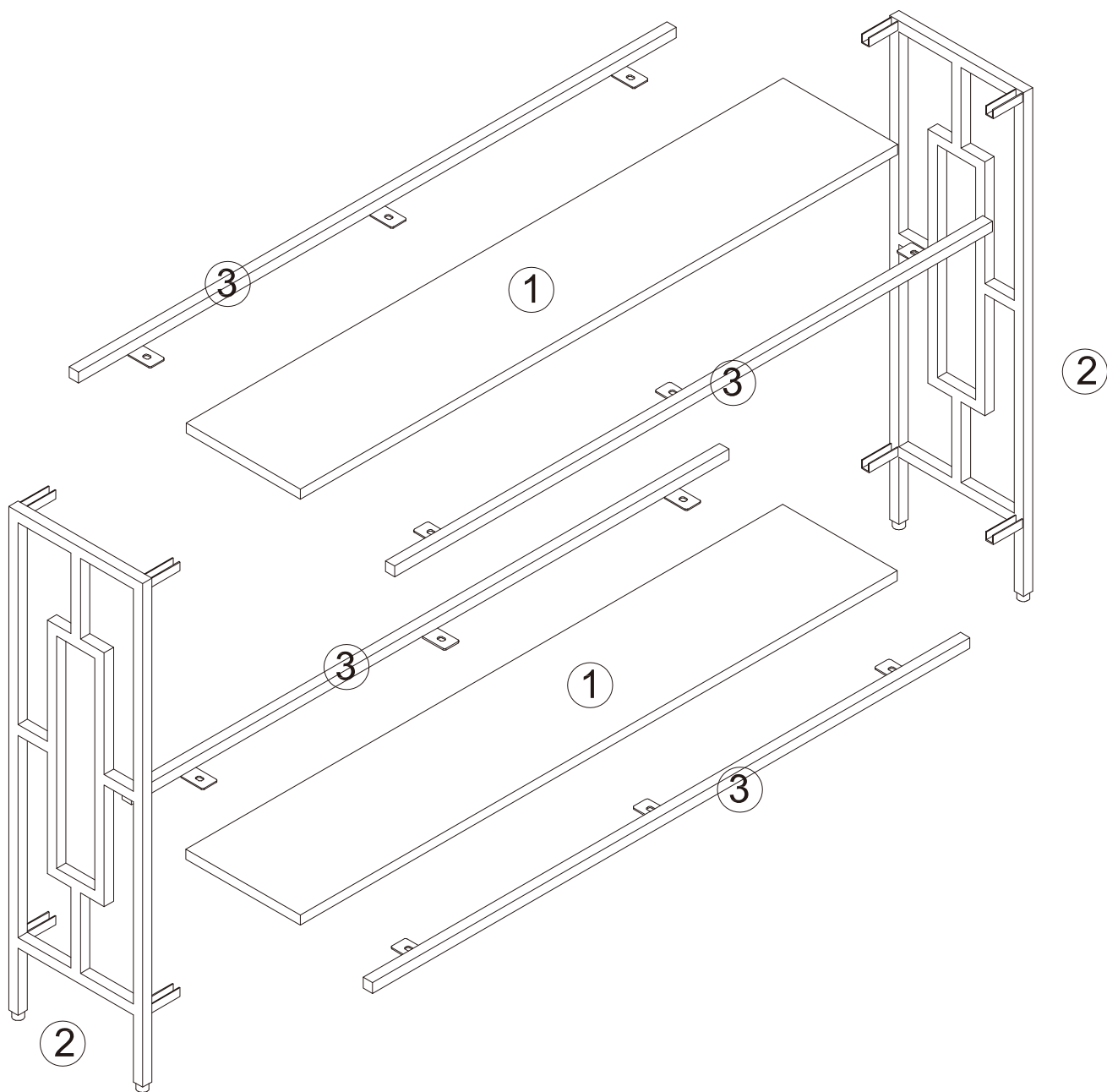
INcta046V01_GL

837-028



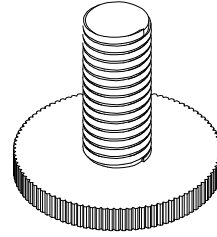
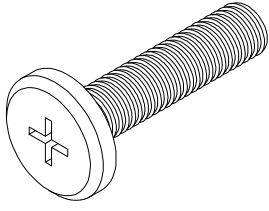
IMPORTANT, RETAIN FOR FUTURE REFERENCE: READ CAREFULLY

ASSEMBLY & INSTRUCTION MANUAL

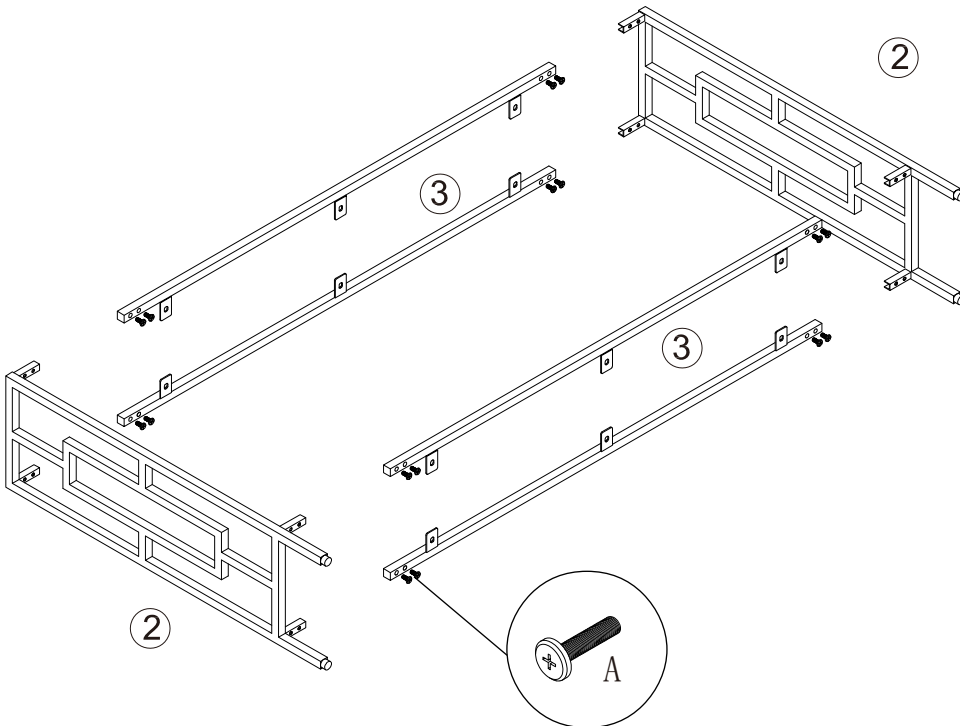
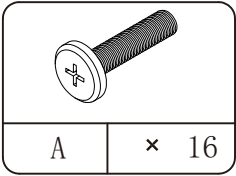


A x28
+1(spare)

B x 4



01



Done

