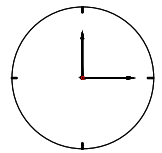


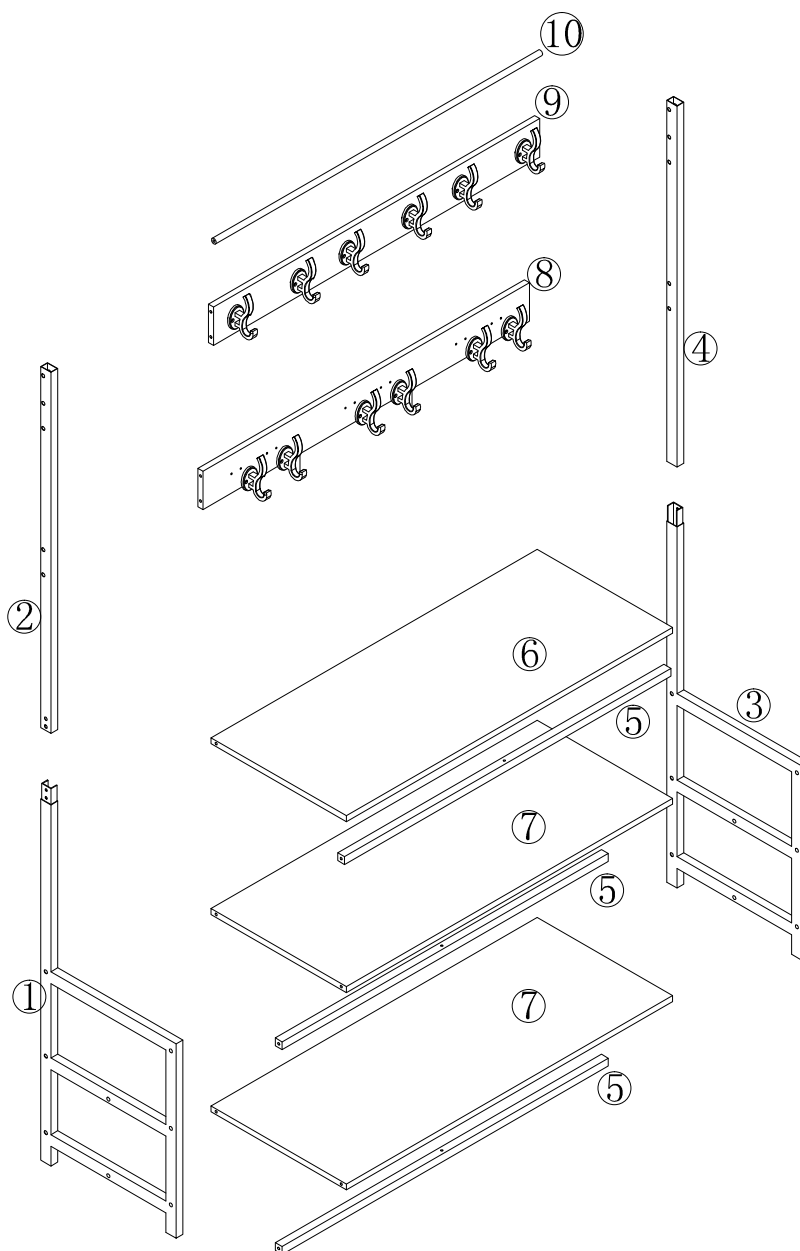
2 Persons



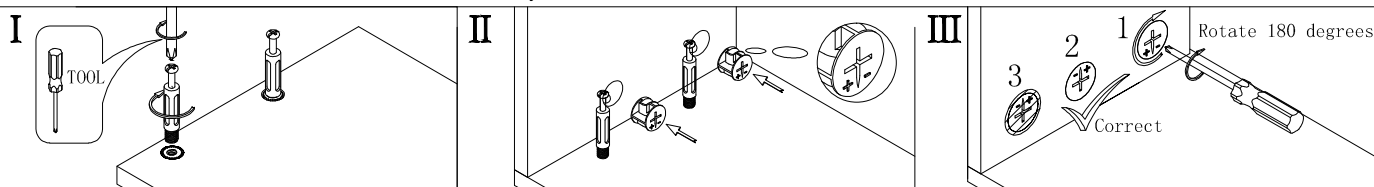
2 hours

READ AND SAVE THIS INSTRUCTION FOR FUTURE USE

ASSEMBLY INSTRUCTION

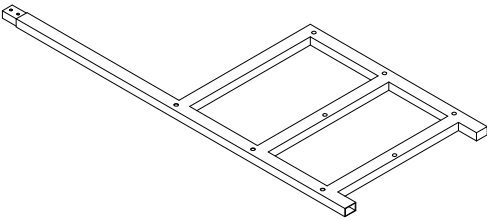
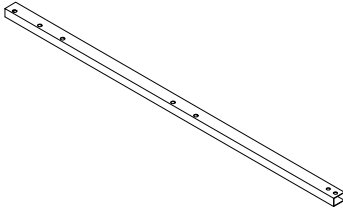
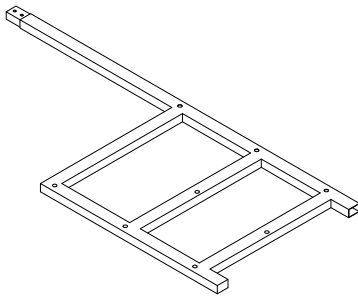
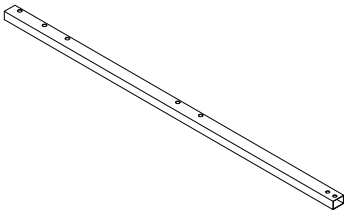
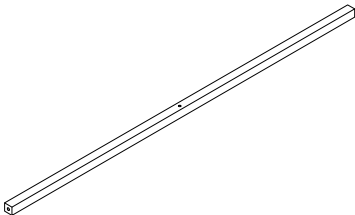
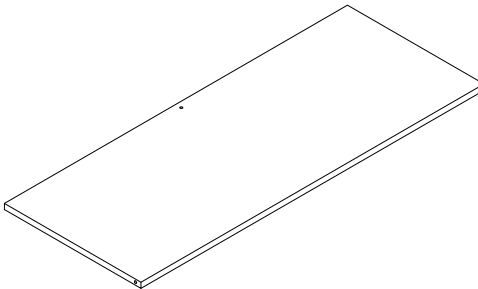
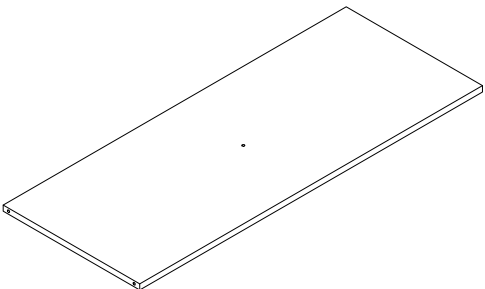
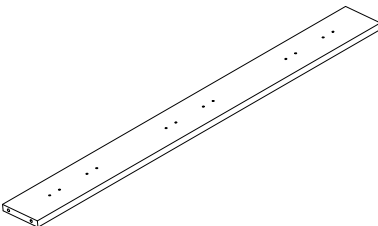
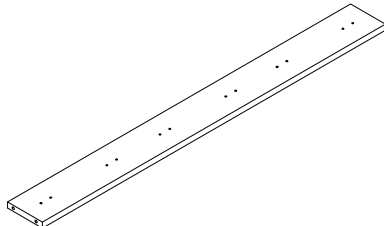
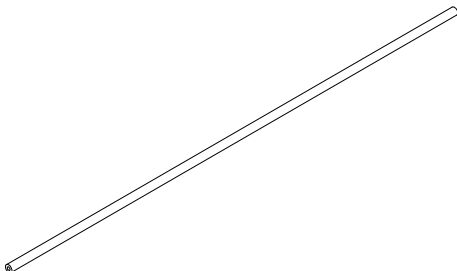


Disassembly and installation of accessories



A 8PCS	B 18PCS	C 4PCS	D 4PCS	E 24PCS	F 12PCS	G 3PCS
φ6*35mm	φ7*38mm	φ6*12mm	φ6mm	φ3.5*14mm		φ3.5*30mm

H					I 1PC	 Tools Recommended
H ₁ x1 φ3.5*30mm	H ₂ x2	H ₃ x1 φ7*30mm	H ₄ x1 φ4*12mm	H ₅ x1	I 1PC M4mm	

1 1PC 	2 1PC 	3 1PC 
4 1PC 	5 3PCS 	6 1PC 
7 2PCS 	8 1PC 	9 1PC 
10 		1PC

Note : Do not tighten bolts fully until all parts are connected!

Note : Ne serrez pas les boulons à fond tant que toutes les pièces ne sont pas connectées!


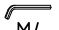
Hinweis: Ziehen Sie die Schrauben erst fest an, wenn alle Teile verbunden sind!

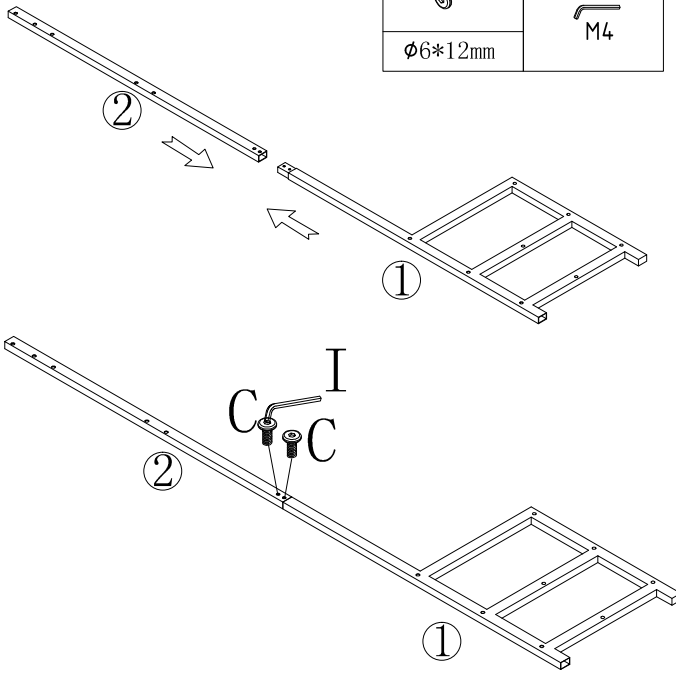
Nota: non serrare completamente i bulloni fino a tutte le parti non sono ancora collegate!

Nota: No apriete los tornillos completamente hasta que todas las partes están conectadas!




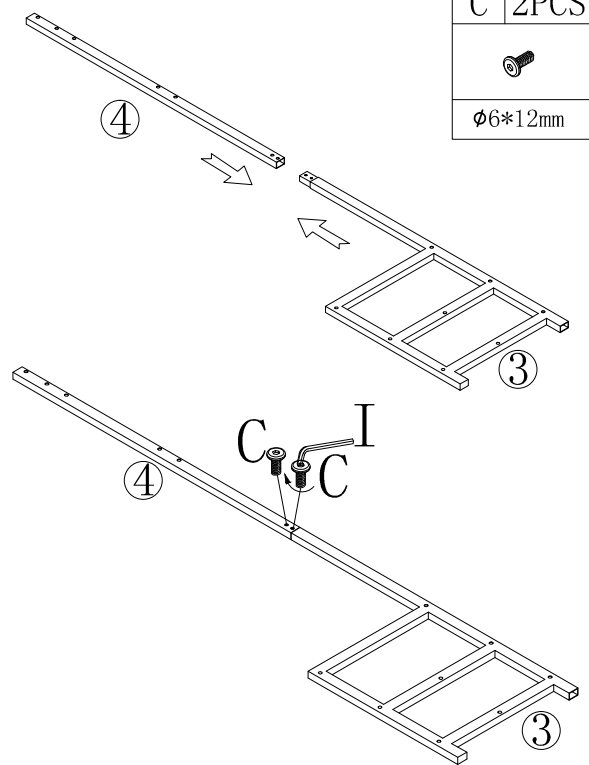
1

C	2PCS	I	1PC
			
$\phi 6*12mm$		M4	







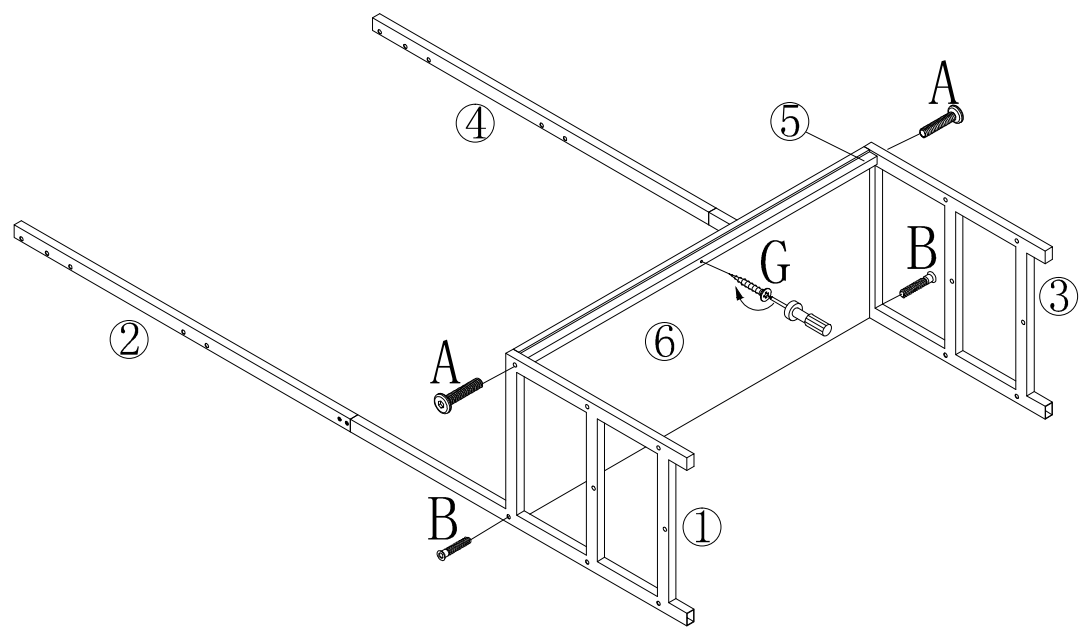
2

C	2PCS
	
$\phi 6*12mm$	







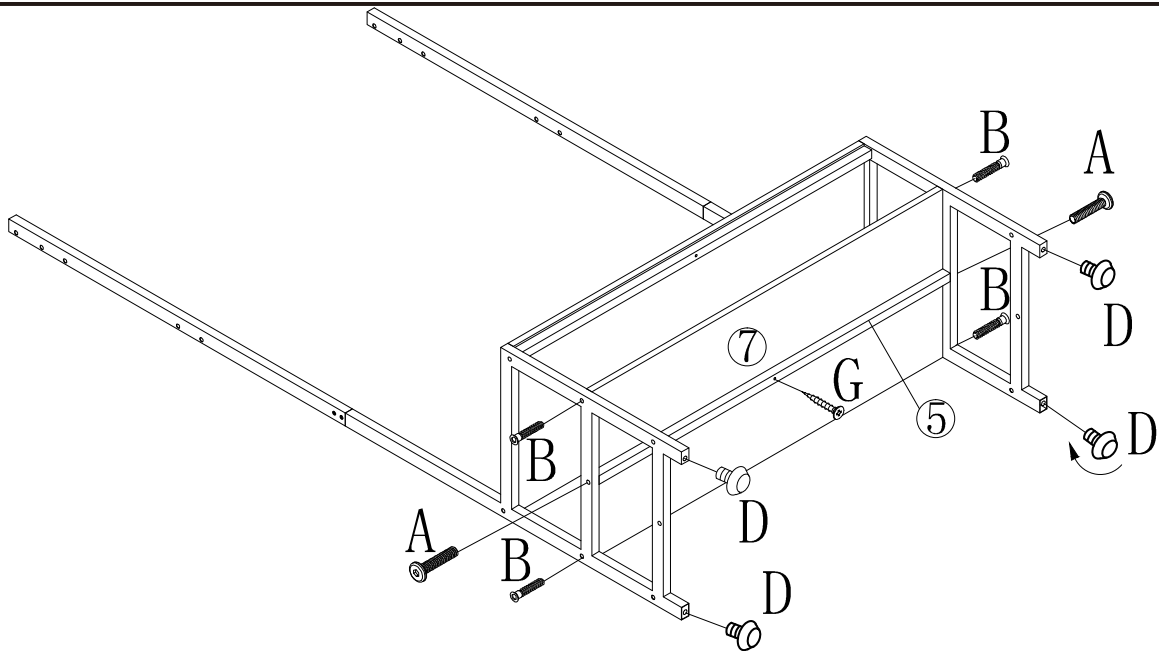
3

A	2PCS
	
$\phi 6*35mm$	
B	2PCS
	
$\phi 7*38mm$	
G	1PC
	
$\phi 3.5*30mm$	
I	1PC
	

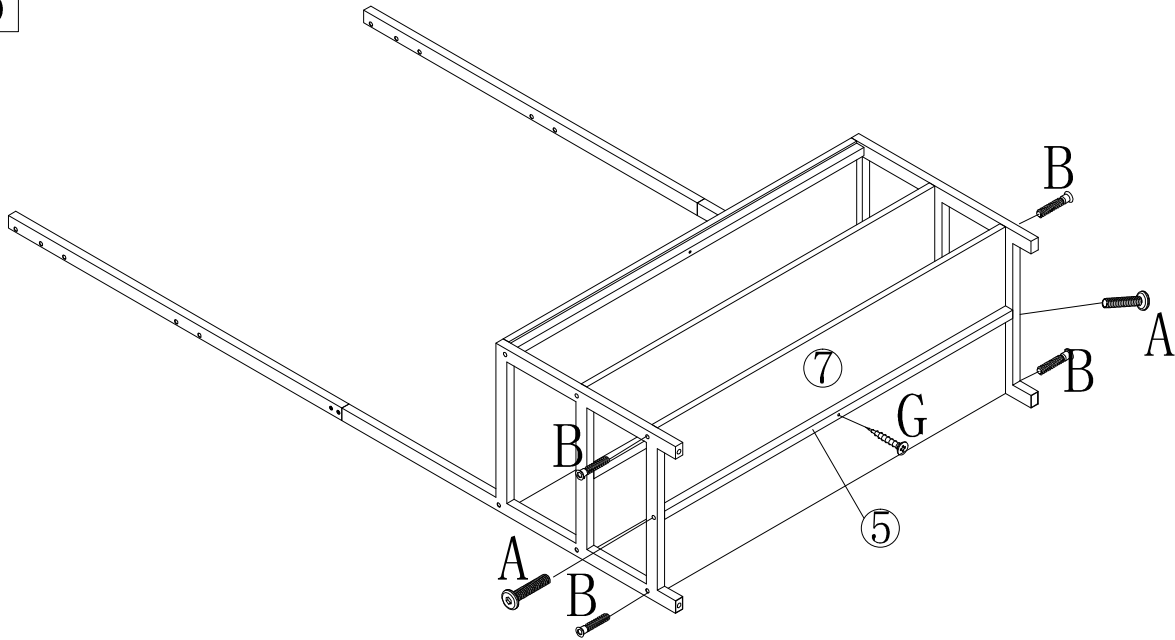





4

A	2PCS
	
$\phi 6*35mm$	
B	4PCS
	
$\phi 7*38mm$	
D	4PCS
	
$\phi 6mm$	
G	1PC
	
$\phi 3.5*30mm$	

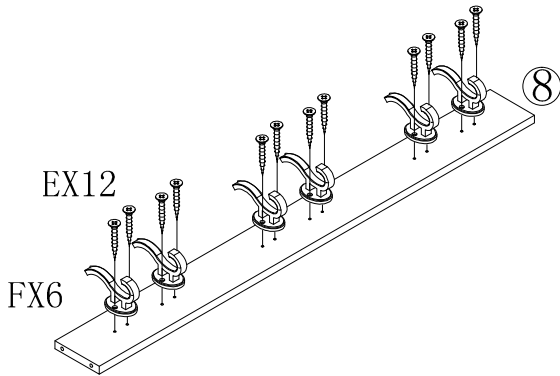
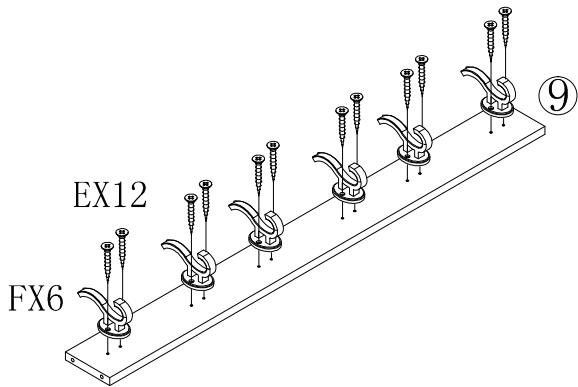




5



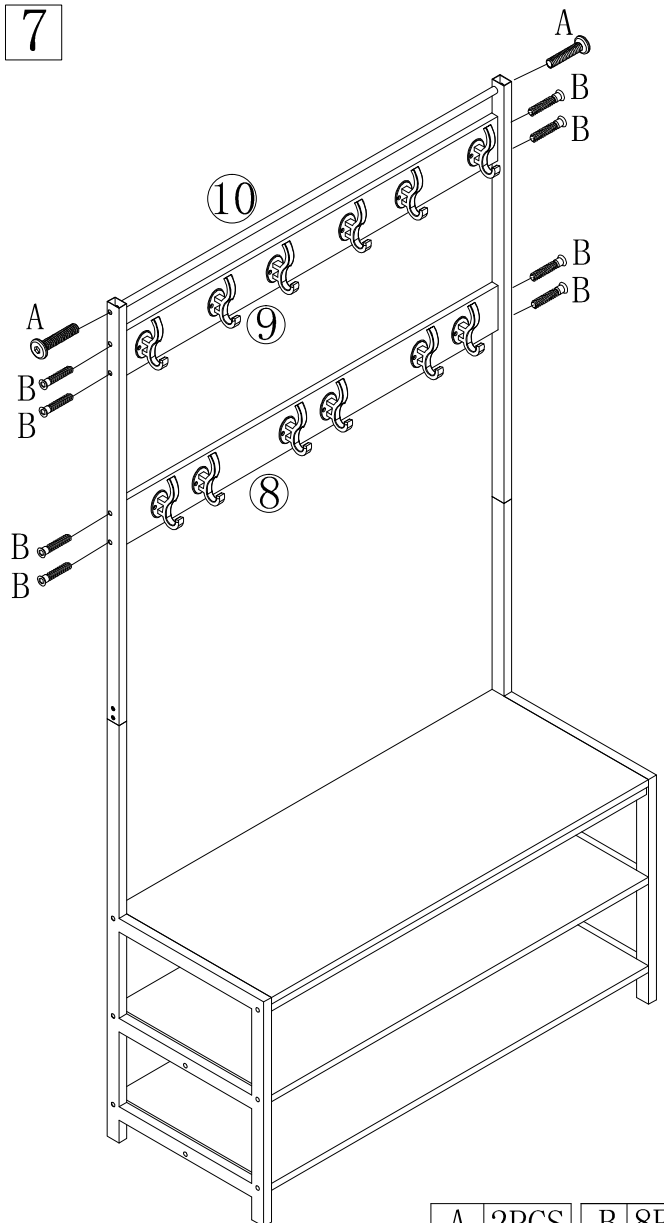
A	2PCS
	
Ø6*35mm	
B	4PCS
	
Ø7*38mm	
G	1PC
	
Ø3.5*30mm	



6



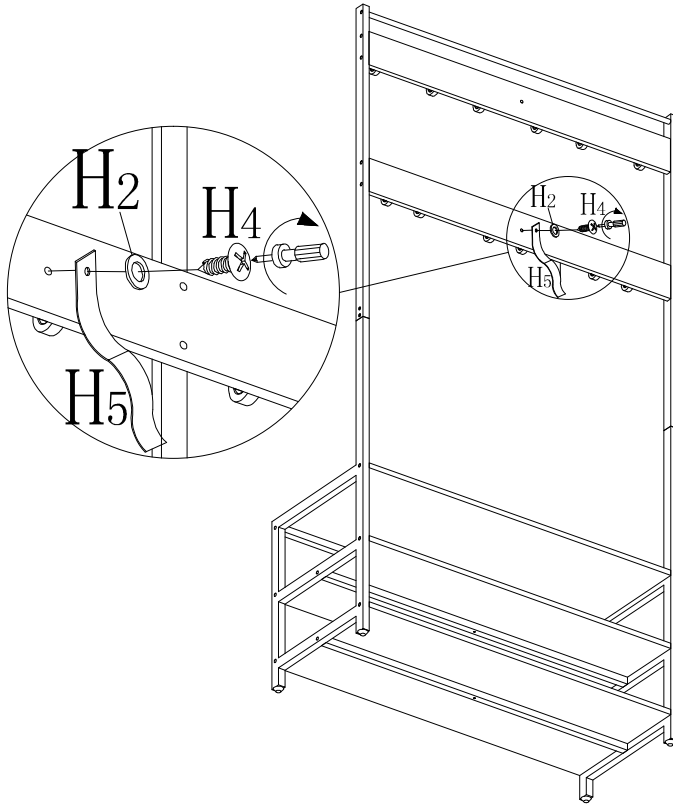
E	24PCS	F	12PCS
			
Ø3.5*14mm			

7

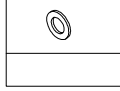


A	2PCS	B	8PCS
			
Ø6*35mm		Ø7*38mm	

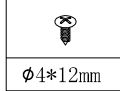
8



H2 x1



H4 x1

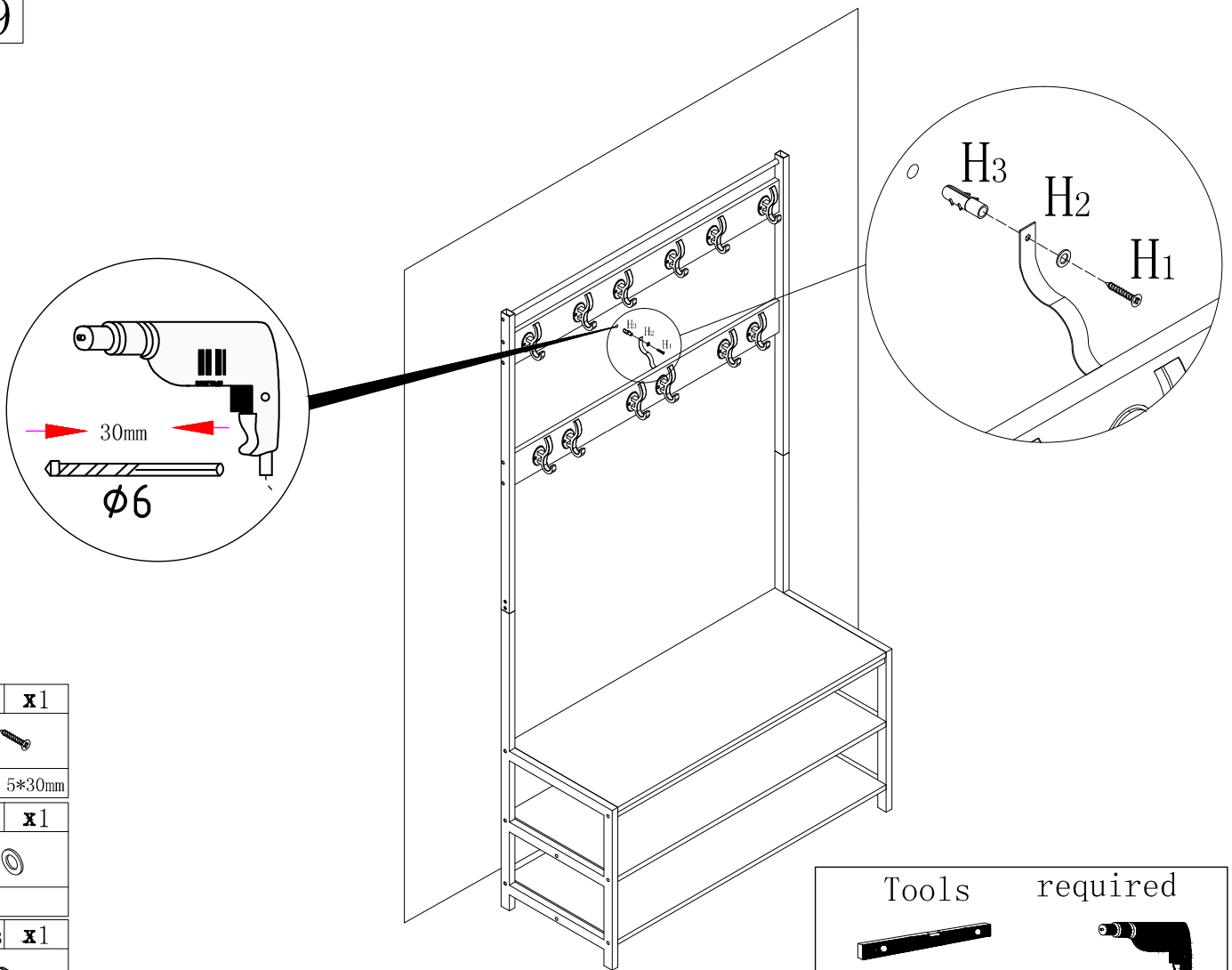


φ4*12mm

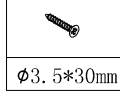
H5 x1



9

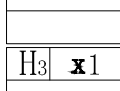


H1 x1

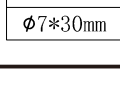


φ3.5*30mm

H2 x1

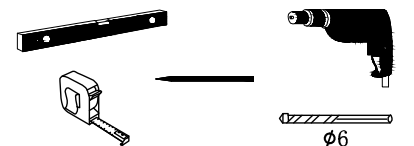


H3 x1



φ7*30mm

Tools required



US



001-877-644-9366
customerservice@aosom.com

CA



001-855-537-6088
customerservice@aosom.ca

UK



0044-800-240-4004
enquiries@mhstar.co.uk

DE



0049-(0)40-88307530
service@aosom.de

FR



0033-1-84166106
contact@aosom.fr

ES



0034-931294512
atencioncliente@aosom.es

IT



0039-0249471447
clienti@aosom.it