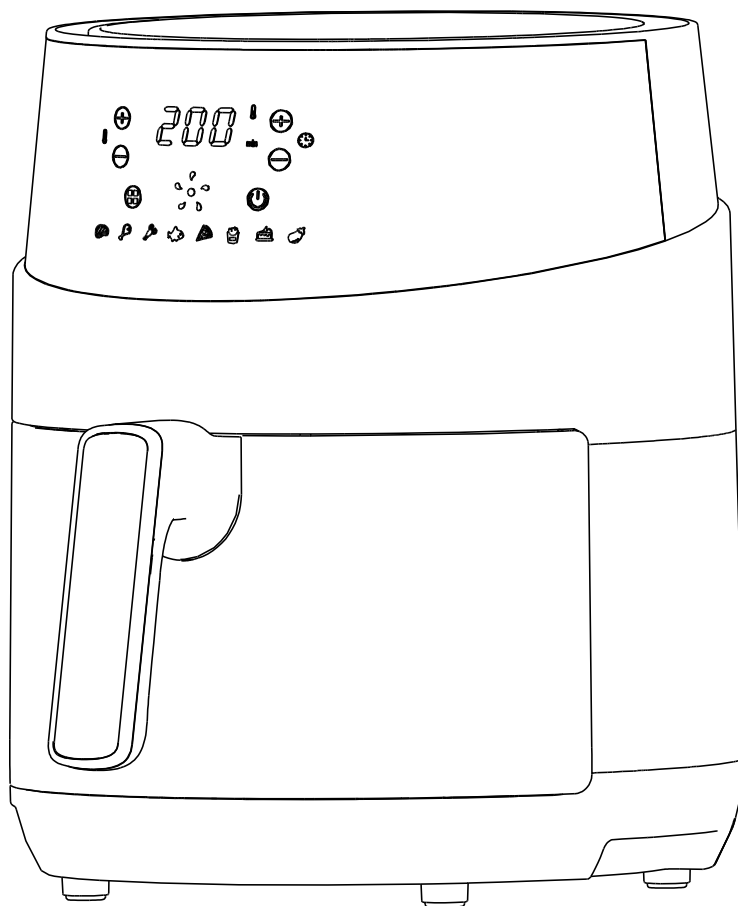




IN220901747V02_UK_DE_IT

800-124V70_800-124V90



**Hot-Air Fryer
Heißluftfritteuse
Friggitrice ad Aria Calda**



**- FOR INDOOR HOUSEHOLD USE ONLY -
- FÜR DEN HAUSGEBRAUCH IM INNENBEREICH -
- SOLO PER USO DOMESTICO INTERNO -**

EN_IMPORTANT, RETAIN FOR FUTURE REFERENCE: READ CAREFULLY.

DE_WICHTIG! SORGFÄLTIG LESEN UND FÜR SPÄTER NACHSCHLAGEN AUFBEWAHREN.

**IT_IMPORTANTE! CONSERVARE IL PRESENTE MANUALE PER FUTURO RIFERIMENTO E
LEggerlo ATTENTAMENTE.**

INTRODUCTION

This all now Hot-air fryer provides an easy and healthy way of preparing your favorite ingredients. By using hot rapid air circulation and a top grill, it is able to make numerous dishes. The best part is that the Hot-air fryer heats food at all directions and most of the ingredients do not need any oil.

SAVE THESE INSTRUCTIONS

This appliance is intended to be used in household and similar applications such as:

- staff kitchen areas in shops, offices and other working environments;
- farm houses;
- by clients in hotels, motels and other residential type environments;
- bed and breakfast type environments.

IMPORTANT SAFEGUARDS

When using electrical appliances, basic safety precautions should always be followed including the following:

1. Read all instructions.
2. Do not touch hot surfaces.
3. To protect against electric shock do not immerse cord, plugs, or base in water or other liquid.
4. **WARNING:** This electrical appliance contains a heating function. Surfaces, also different than the functional surfaces, can develop high temperatures. Since temperatures are differently perceived by different persons, this equipment shall be used with **CAUTION**. The equipment shall be touch only at intended handles and gripping surfaces, and use heat protection like gloves or similar. Surfaces other than intended gripping surfaces shall get sufficiently time to the cool down before getting touched.
5. Unplug from outlet when not in use and before cleaning. Allow to cool before putting on or taking off parts.
6. Type Y: If the supply cord is damaged, it must be replaced by the manufacturer, its service agent or similarly qualified persons in order to avoid a hazard.
7. The use of accessory attachments not recommended by the appliance manufacturer may cause injuries.
8. Do not use outdoors
9. Do not let cord hang over edge of table or counter, or touch hot surfaces.
10. Do not place on or near a hot gas or electric burner, or in a heated oven.
11. Extreme caution must be used when moving an appliance containing hot oil or other hot liquids.
12. Always attach plug to appliance first, then plug cord in the wall outlet. To disconnect, turn any control to "off," then remove plug from wall outlet.
13. Do not use appliance for other than intended use.
14. This appliance can be used by children aged from 8 years and above and persons with reduced physical, sensory or mental capabilities or lack of experience and knowledge if they have been given supervision or instruction concerning use of the appliance in a safe way and understand the hazards involved. Children shall not play with the appliance. Cleaning and user maintenance shall not be made by children unless they are old than 8 and supervised.
15. Keep the appliance and its cord out of reach of children less than 8 years.
16. The appliances are not intended to be operated by means of an external timer or separate remote-control system.

Specification & Feature:

- Voltage:220-240V ~50/60Hz
- Wattage: 1500 W
- Capacity of basket:4.5 L
- Adjustable temperature:80°C- 200°C
- Timer (0-60 min)

General description (Fig.1)

1. On the shell
2. Control panel
3. Pan handle
4. Pan
5. Air outlet
6. Main cord (Electrical cord)
7. Main housing

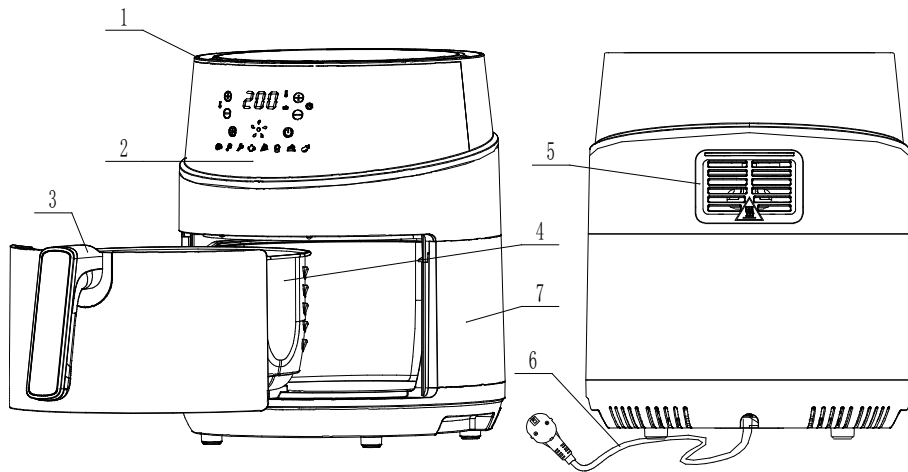


Fig.1



Fig.2

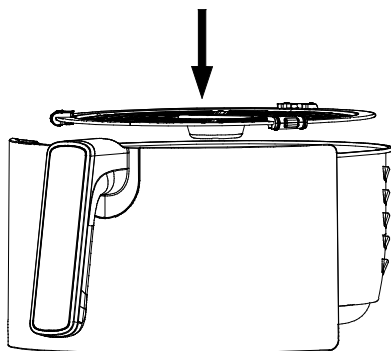


Fig.3

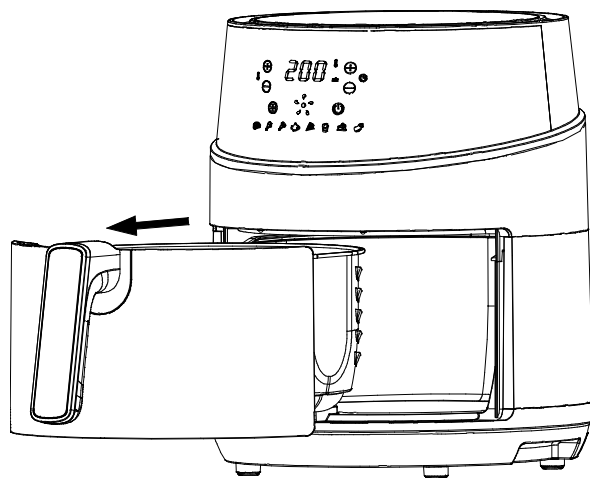


Fig.4

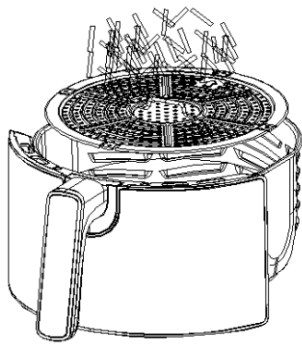


Fig.5

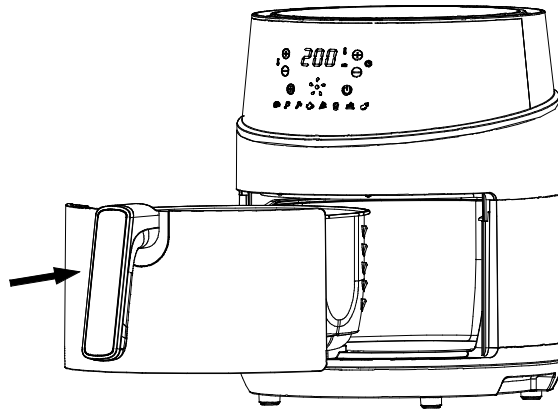


Fig.6

Important!

Danger

- This appliance can be used by children aged from 8 years and above and persons with reduced physical, sensory or mental capabilities or lack of experience and knowledge if they have been given supervision or instruction concerning use of the appliance in a safe way and understand the hazards involved. Children shall not play with the appliance. Cleaning and user maintenance shall not be made by children unless they are older than 8 and supervised.
- Keep the appliance and its cord out of reach of children less than 8 years.
- Never immerse the housing, which contains electrical components and the heating elements, in water nor rinse it under the tap.
- Do not let any water or other liquid enter the appliance to prevent electric shock.
- Always put the ingredients to be fried in the basket, to prevent it from coming into contact with the heating elements.
- Do not cover the air inlet and the air outer openings while the appliance is operating.
- Do not fill the pan with oil as this may cause a fire hazard.
- Never touch the inside of the appliance while it is operating.
- The temperature of accessible surfaces may be high when the appliance is operating

Warning

- Check if the voltage indicated on the appliance fits the local mains voltage.
- Do not use the appliance if there is any damage on plug, mains cord or other parts.
- Do not go to any unauthorized person to replace or fix damaged main cord.
- Keep the mains cord away from hot surfaces.
- Do not plug in the appliance or operate the control panel with wet hands.
- Do not place the appliance against a wall or against other appliances. Leave at least 10cm free space on the back and sides and 10cm free space above the appliance.
- Do not place anything on top of the appliance.
- Do not use the appliance for any other purpose than described in this manual.
- Do not let the appliance operate unattended.
- During hot air frying, hot steam is released through the air outlet openings, Keep your hands and face at a safe distance from the steam and from the air outlet openings.
- Also be careful of hot steam and air when you remove the pan from the appliance.
- Any accessible surfaces may become hot during use (Fig.2)
- Immediately unplug the appliance if you see dark smoke coming out of the appliance. Wait for the smoke emission to stop before you remove the pan from the appliance.

Caution

- Ensure the appliance is placed on a horizontal, even and stable surface.
- This appliance is designed for household use only. It may not be suitable to be safely used in environments such as staff kitchens, farms, motels, and other non-residential environments. Nor is it intended to be used by clients in hotels, motels, bed and breakfasts and other residential environments.
- If the appliance is used improperly or for professional or semi-professional purposes or if it is not used according to the instructions in the user manual, the guarantee becomes invalid and we could refuse any liability for damage caused.
- Always unplug the appliance while not using.
- The appliance needs approximately 30 minutes to cool down for handling or cleaning safely.

Before first use

1. Remove all packaging materials.
2. Remove any stickers or labels from the appliance.
3. Thoroughly clean the shelf and pan with hot water, some washing-up liquid and a non-abrasive sponge.
4. Wipe inside and outside of the appliance with a moist cloth.

This is an oil-free fryer that works on hot air, do not fill the pan with oil or frying fat.

Preparing for use

1. Place the appliance on a stable, horizontal and even surface.

Do not place the appliance on a non-heat-resistant surface.

2. Place the shelf in the pan (Fig.3).

Do not fill the pan with oil or any other liquid.

Do not put anything on top of the appliance, the airflow will be disrupted and affects the hot air frying result.

Using the appliance

The oil-free can prepare a large range of ingredients.

Hot air frying

1. Connect the mains plug into an earthed wall socket.
 2. Carefully pull the pan out of the Hot-air fryer (Fig.4)
 3. Put the ingredients on the shelf. (Fig.5)
 4. Slide the pan back into the Hot-air fryer (Fig 6)
- Noting to carefully align with the guides in the body of the fryer.

Never use the pan without the shelf in it.

Caution: Do not touch the pan during and sometime after use, as it gets very hot. Only hold the pan by the handle.

5. Determine the required preparation time for the ingredient (see section 'Settings' in this chapter).
6. Some ingredients require shaking halfway through the preparation time (see section "Settings" in this chapter). To shake the ingredients, pull the pan out of the appliance by the handle and shake it. Then slide the pan back into the fryer
7. To remove ingredients (e.g. fries), pull the pan out of the Hot-air fryer and place it on a flat surface, and lift the shelf out of the pan.

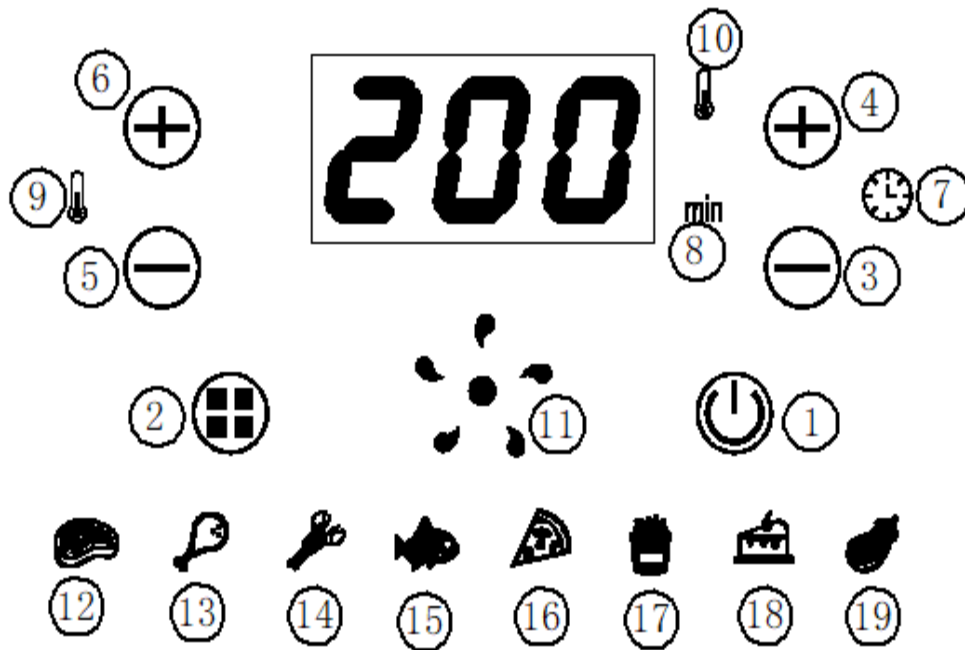
The pan and the ingredients are hot and hot fryer. Depending on the type of the ingredients in the air fryer, steam may escape from the pan.

8. Empty the shelf into a bowl or onto a plate.

Tip: To remove large or fragile ingredients, lift the ingredients out of the shelf by a pair of tongs

9. When a batch of ingredients is ready, the Hot-air fryer is instantly ready for preparing another batch.

Control panel instructions




Operation Instructions:

Button 1 –Power Button

Once the pan is properly placed in the main Unit housing, the Power Button will be illuminated. Selecting the power button for 3 seconds will make the unit's default temperature 200, while the cooking time will be set to 15 minutes. Selecting the Power Button a second time will start the cooking process. Pressing the power button for 3 seconds to close the entire device during cooking. All the lights go out, the fan stops working.

Note: During cooking, you can touch the button to control the pause and start of cooking.

Button 2 –Preset Button

Selecting the “” Preset Button enables you to scroll through the 8 popular food choices. Once selected, the predetermined time and cooking temperature function begins.

Button 3&4 –Timer Control Buttons

The + and – symbols enable you to add or decrease cooking time, one minute at a time. Keeping the button held down will rapidly change the time.

Button 5&6 –Temperature Control Buttons

The + and – symbols enable you to add or decrease cooking temperature 5°C at a time. Keeping the button held down will rapidly change the temperature. Temperature Control range: 80°C-200°C.

Indicator light “7&8”
Timer indicator

Indicator light “9&10”
Temperature indicator

Indicator light “11”
The center circle is heating lamp, Around 5 lamp lights for motor work

Indicator light “12-19”
Recipe indicator

Settings

This table below will help you to select the basic settings for the ingredients.

Note: Keep in mind that these settings are indications. As ingredients differ in origin, size, shape as well as brand, we cannot guarantee the best setting for your ingredients.

Because the Rapid Air technology instantly reheats the air inside the appliance instantly Pull the pan briefly out of the appliance during hot air frying barely disturbs the process.

Tips

- *Smaller ingredients usually require a slightly shorter preparation time than larger ingredients.*
- *A larger amount of ingredients only requires a slightly longer preparation time, a smaller amount of ingredients only requires a slightly shorter preparation time.*
- *Shaking smaller ingredients halfway through the preparation time optimizes the end result and can help prevent unevenly fried ingredients.*
- *Add some oil to fresh potatoes for a crispy result. Fry your ingredients in the Hot-air fryer within a few minutes after you added the oil.*
- *Do not prepare extremely greasy ingredients such as sausages in the Hot-air fryer.*
- *Snacks that can be prepared in an oven can also be prepared in the Hot-air fryer*
- *The optimal amount for preparing crispy fries is 400 grams.*
- *Use pre-made dough to prepare filled snacks quickly and easily. Pre-made dough also requires a shorter preparation time than home-made dough.*
- *Place a baking tin or oven dish in the Hot-air fryer basket if you want to bake a cake or quiche or if you want to fry fragile ingredients or filled ingredients*
- *You can also use the Hot-air fryer to reheat ingredients. To reheat ingredients, set the temperature to 150°C for up to 10 minutes.*

ICON	Min-max Amount (g)	Time (min.)	Temperature (°C)	Shake	Extra information
None	300-400	15	200°C/400°F	shake	
Steak	300-400	12	180°C/360°F	shake	
Chicken	300-400	25	180°C/360°F	shake	
Shrimp	300-400	12	180°C/360°F	shake	
Fish	300-400	18	180°C/360°F	shake	
Pizza	6 (in)	17	160°C/320°F	shake	
Fries	300-400	18	200°C/400°F	shake	
Baked Goods	6 (in)	45	160°C/320°F	shake	
Vegetables	300-400	12	180°C/360°F		

Note: Add 3 minutes to the preparation time when you start frying while the Hot-air fryer is still cold.

The first time to use, there will be a slight smoke and odor, belongs to the normal phenomenon

Cleaning

Clean the appliance after every use.

The pan and the non-stick coating shelf. Do not use metal kitchen utensils or abrasive cleaning materials to clean them, as this may damage the non-stick coating.

1. Remove the mains plug from the wall socket and let the appliance cool down.

Note: Remove the pan to let the Hot-air fryer cool down more quickly.

2. Wipe the outside of the appliance with a moist cloth.

3. Clean the pan and shelf with hot water, some washing-up liquid and a non-abrasive sponge.

You can use degreasing liquid to remove any remaining dirt.

Tip: If dirt is stuck to the shelf or the bottom of the pan, fill the pan with hot water with some washing-up liquid. Put the shelf in the pan and let the pan and the shelf soak for approximately 10 minutes.

4. Clean the inside of the appliance with hot water and non-abrasive sponge.

5. Clean the heating element with a cleaning brush to remove any food residues.

Storage

1. Unplug the appliance and let it cool down.

2. Make sure all parts are clean and dry.

Environment

Do not throw away the appliance with the normal household waste when it is exhausted, but hand it in at an official collection point for recycling. By doing this, you help to preserve the environment.

Troubleshooting

problem	Possible cause	Solution
The Hot-air fryer does not work	The appliance is not plugged in.	Put the mains plug in an earthed wall socket.
	Don't set timer	Set the timer key to the required preparation time to switch on the appliance.
The ingredients fried with the air fryer are not done.	The amount of ingredients in the shelf is too big.	Put smaller batches of ingredients in the shelf. Smaller batches are fried more evenly.
	The set temperature is too low.	Set the temperature key to the required temperature setting (see section 'settings' in chapter 'Using the appliance').
	The preparation time is too short.	Set the timer to the required preparation time (see section 'Settings' in chapter 'Using the appliance').

The ingredients are fried unevenly in the air fryer.	Certain types of ingredients need to be shaken halfway through the preparation time.	Ingredients that lie on top of or across each other (e.g. fries) need to be shaken halfway through the preparation time. See section 'Settings' in chapter 'Using the appliance'.
Fried snacks are not crispy when they come out of the air fryer.	You used a type of snacks meant to be prepared in a traditional deep fryer.	Use oven snacks or lightly brush some oil onto the snacks for a crispier result.
I cannot slide the pan into the appliance properly.	There are too much ingredients in the Pan.	Do not fill the Pan beyond the 80% indication.
	The Pan is not placed in the pot correctly.	Push the Pan again in the correct direction.
White smoke comes out of the appliance.	You are preparing greasy ingredients.	When you fry greasy ingredients in the air fryer, a large amount of oil will leak into the pot. The oil produces white smoke and the pot may heat up more than usual. This does not affect the appliance or the end result.
	The pot still contains grease residues from previous use.	White smoke is caused by grease heating up in the pan. make sure you clean the pan properly after each use.
Fresh fries are fried unevenly in the air fryer.	You did not use the right potato type.	Use fresh potatoes and make sure they stay firm during frying.
	You did not rinse the potato sticks properly before you fried them.	Rinse the potato sticks properly to remove starch from the outside of the sticks.
Fresh fries are not crispy when they come out of the air fryer.	The crispiness of the fries depends on the amount of oil and water in the fries.	Make sure you dry the potato sticks properly before you add the oil.
		Cut the potato sticks smaller for a crispier result.
		Add slightly more oil for a crispier result.

Correct Disposal of this product



This marking indicates that this product should not be disposed with other household wastes throughout the EU. To prevent possible harm to the environment or human health from uncontrolled waste disposal, recycle it responsibly to promote the sustainable reuse of material resources. To return your used device, please use the return and collection systems or contact the retailer where the product was purchased. They can take this product for environmental safe recycling.

If you have any questions, please contact our customer care center.

Our contact details are below:



0044-800-240-4004



enquiries@mhstar.co.uk

IMPORTER ADDRESS:
MH STAR UK LTD
Unit 27, Perivale Park,
Horsenden lane South
Perivale, UB6 7RH
MADE IN CHINA

INTRODUCTION

This all now Hot-air fryer provides an easy and healthy way of preparing your favorite ingredients. By using hot rapid air circulation and a top grill, it is able to make numerous dishes. The best part is that the Hot-air fryer heats food at all directions and most of the ingredients do not need any oil.

SAVE THESE INSTRUCTIONS

This appliance is intended to be used in household and similar applications such as:

- staff kitchen areas in shops, offices and other working environments;
- farm houses;
- by clients in hotels, motels and other residential type environments;
- bed and breakfast type environments.

IMPORTANT SAFEGUARDS

When using electrical appliances, basic safety precautions should always be followed including the following:

1. Read all instructions.
2. Do not touch hot surfaces.
3. To protect against electric shock do not immerse cord, plugs, or base in water or other liquid.
4. **WARNING:** This electrical appliance contains a heating function. Surfaces, also different than the functional surfaces, can develop high temperatures. Since temperatures are differently perceived by different persons, this equipment shall be used with **CAUTION**. The equipment shall be touch only at intended handles and gripping surfaces, and use heat protection like gloves or similar. Surfaces other than intended gripping surfaces shall get sufficiently time to the cool down before getting touched.
5. Unplug from outlet when not in use and before cleaning. Allow to cool before putting on or taking off parts.
6. Type Y: If the supply cord is damaged, it must be replaced by the manufacturer, its service agent or similarly qualified persons in order to avoid a hazard.
7. The use of accessory attachments not recommended by the appliance manufacturer may cause injuries.
8. Do not use outdoors
9. Do not let cord hang over edge of table or counter, or touch hot surfaces.
10. Do not place on or near a hot gas or electric burner, or in a heated oven.
11. Extreme caution must be used when moving an appliance containing hot oil or other hot liquids.
12. Always attach plug to appliance first, then plug cord in the wall outlet. To disconnect, turn any control to "off," then remove plug from wall outlet.
13. Do not use appliance for other than intended use.
14. This appliance can be used by children aged from 8 years and above and persons with reduced physical, sensory or mental capabilities or lack of experience and knowledge if they have been given supervision or instruction concerning use of the appliance in a safe way and understand the hazards involved. Children shall not play with the appliance. Cleaning and user maintenance shall not be made by children unless they are old than 8 and supervised.
15. Keep the appliance and its cord out of reach of children less than 8 years.
16. The appliances are not intended to be operated by means of an external timer or separate remote-control system.

Spezifikation & Funktion:

- Spannung: 220-240 V ~50/60 Hz
- Wattleistung: 1500 W
- Kapazität des Korbes: 4,5 L
- Einstellbare Temperatur: 80 °C – 200 °C
- Zeitschaltuhr (0-60 Minuten)

Allgemeine Beschreibung (Abb. 1)

1. Auf dem Gehäuse
2. Bedienfeld
3. Pfannengriff
4. Pfanne
5. Luftauslass
6. Hauptkabel (Stromkabel)
7. Haupteinheit

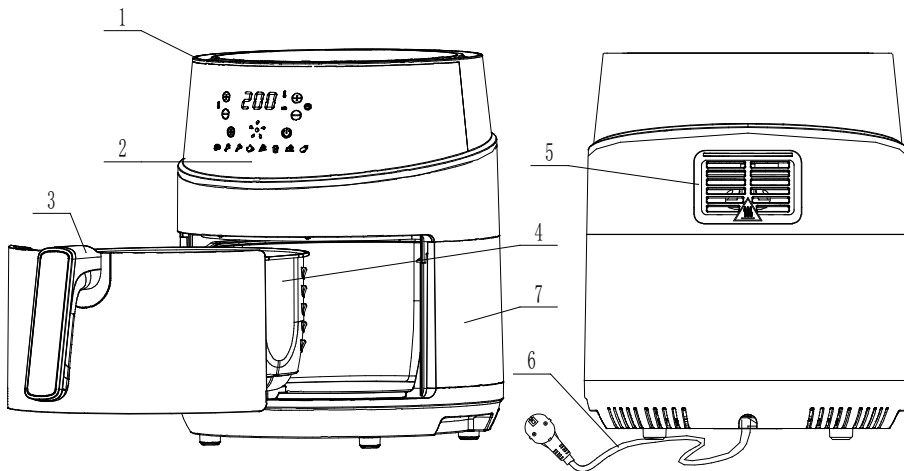


Abb.1



Abb. 2

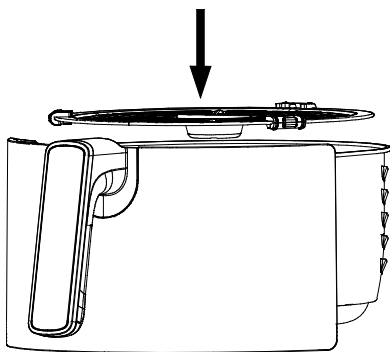


Abb. 3

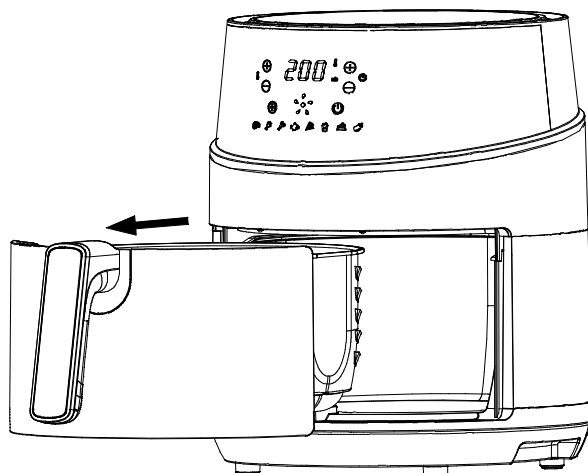


Abb. 4

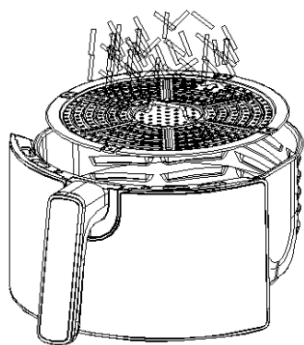


Abb. 5

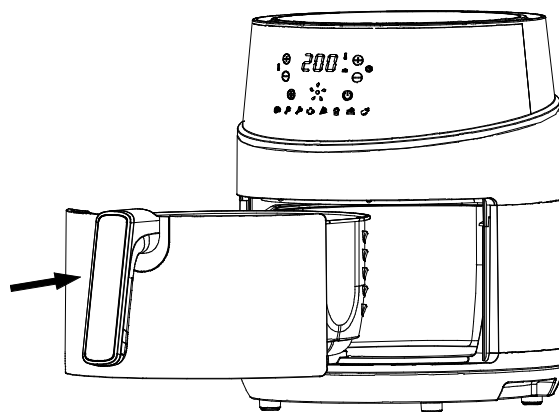


Abb. 6

Wichtig!**Gefahr**

- Dieses Gerät kann von Kindern ab 8 Jahren und darüber, sowie von Personen mit verringerten physischen, sensorischen oder mentalen Fähigkeiten oder Mangel an Erfahrung und Wissen benutzt werden, wenn sie beaufsichtigt oder bezüglich des sicheren Gebrauchs des Geräts unterwiesen wurden und die daraus entstehenden Gefahren verstehen. Kinder dürfen nicht mit dem Gerät spielen. Die Reinigung und Benutzerwartung dürfen nicht von Kindern durchgeführt werden, es sei denn, sie sind älter als 8 Jahre und werden beaufsichtigt.
- Bewahren Sie das Gerät und sein Kabel außerhalb der Reichweite von Kindern unter 8 Jahren auf.
- Tauchen Sie das Gehäuse, in dem sich die elektrischen Bauteile und die Heizelemente befinden, niemals in Wasser ein und spülen Sie es nicht unter dem Wasserhahn ab.
- Lassen Sie kein Wasser oder andere Flüssigkeiten in das Gerät eindringen, um einen elektrischen Schlag zu vermeiden.
- Legen Sie die zu frittierenden Zutaten immer in den Korb, damit sie nicht mit den Heizelementen in Berührung kommen.
- Decken Sie die Lufteinlass- und Luftauslassöffnungen nicht ab, während das Gerät in Betrieb ist.
- Füllen Sie den Topf nicht mit Öl, da dies eine Brandgefahr darstellt.
- Berühren Sie niemals das Innere des Geräts, während es in Betrieb ist.
- Die Temperatur der zugänglichen Oberflächen kann hoch sein, wenn das Gerät in Betrieb ist.

WARNUNG

- Prüfen Sie, ob die auf dem Gerät angegebene Spannung mit der örtlichen Netzspannung übereinstimmt.
- Benutzen Sie das Gerät nicht, wenn der Stecker, das Stromkabel oder andere Teile beschädigt sind.
- Wenden Sie sich nicht an Unbefugte, um ein beschädigtes Stromkabel zu ersetzen oder zu reparieren.
- Halten Sie das Netzkabel von heißen Oberflächen fern.
- Schließen Sie das Gerät nicht mit nassen Händen an und bedienen Sie das Bedienfeld nicht mit nassen Händen.
- Stellen Sie das Gerät nicht gegen eine Wand oder gegen andere Geräte. Lassen Sie mindestens 10 cm Freiraum an der Rückseite und den Seiten und 10 cm Freiraum über dem Gerät.
- Stellen Sie keine Gegenstände auf das Gerät.
- Verwenden Sie das Gerät nicht für einen anderen Zweck als in dieser Anleitung beschrieben.

- Lassen Sie das Gerät nicht unbeaufsichtigt laufen.
- Beim Heißluftfrittieren wird heißer Dampf durch die Luftaustrittsöffnungen freigesetzt. Halten Sie Ihre Hände und Ihr Gesicht in einem sicheren Abstand zum Dampf und zu den Luftaustrittsöffnungen.
- Achten Sie auch auf den heißen Dampf und die Luft, wenn Sie den Topf aus dem Gerät nehmen.
- Alle zugänglichen Oberflächen können während des Gebrauchs heiß werden (Abb. 2).
- Trennen Sie sofort den Netzstecker, wenn Sie dunklen Rauch aus dem Gerät kommen sehen. Warten Sie, bis die Rauchentwicklung aufhört, bevor Sie den Topf aus dem Gerät nehmen.

Vorsicht

- Achten Sie darauf, dass das Gerät auf einer horizontalen, ebenen und stabilen Fläche steht.
- Dieses Gerät ist nur für den Hausgebrauch bestimmt. Es ist möglicherweise nicht geeignet, um in Umgebungen wie Personalküchen, Bauernhöfen, Motels und anderen Nicht-Wohnumgebungen sicher verwendet zu werden. Es ist auch nicht für die Verwendung durch Kunden in Hotels, Motels, Pensionen und anderen Wohnumgebungen vorgesehen.
- Wenn das Gerät unsachgemäß oder für gewerbliche oder semi-gewerbliche Zwecke verwendet wird oder wenn es nicht gemäß den Anweisungen in der Bedienungsanleitung benutzt wird, erlischt die Garantie und wir können jegliche Haftung für verursachte Schäden ablehnen.
- Ziehen Sie immer den Netzstecker, wenn Sie das Gerät nicht benutzen.
- Das Gerät muss ca. 30 Minuten abkühlen, damit es sicher gehandhabt oder gereinigt werden kann.

Vor der ersten Verwendung

1. Entfernen Sie alle Verpackungsmaterialien.
2. Entfernen Sie alle Aufkleber oder Etiketten vom Gerät.
3. Reinigen Sie das Regal und die Pfanne gründlich mit heißem Wasser, etwas Spülmittel und einem nicht scheuernden Schwamm.
4. Wischen Sie das Gerät innen und außen mit einem feuchten Tuch ab.

Dies ist eine ölfreie Fritteuse, die mit Heißluft arbeitet. Füllen Sie kein Öl oder Frittierfett direkt in den Topf.

Vorbereitung für die Verwendung

1. Stellen Sie das Gerät auf eine stabile, horizontale und ebene Fläche.

Stellen Sie das Gerät nicht auf eine nicht hitzebeständige Oberfläche.

2. Setzen Sie den Rost in den Topf ein (Abb. 3).

Füllen Sie kein Öl oder eine andere Flüssigkeit in den Topf.

Legen Sie keine Gegenstände auf das Gerät, da sonst der Luftstrom unterbrochen wird und das Ergebnis des Heißluftfrittierens beeinträchtigt wird.

Verwendung des Geräts

Das ölfreie Gerät kann eine große Anzahl von Zutaten zubereiten.

Heißluftfrittieren

1. Stecken Sie den Netzstecker in eine geerdete Wandsteckdose.
2. Ziehen Sie den Topf vorsichtig aus der Heißluftfritteuse (Abb. 4)
3. Legen Sie die Zutaten in den Korb. (Abb. 5)
4. Schieben Sie den Topf zurück in die Heißluftfritteuse (Abb. 6)

Achten Sie darauf, dass Sie ihn sorgfältig an den Führungen im Gehäuse der Fritteuse ausrichten.

Verwenden Sie den Topf niemals ohne den Korb darin befestigt zu haben.

Vorsicht! Berühren Sie den Topf während und nach dem Gebrauch nicht, da er sehr heiß wird. Halten Sie den Topf nur am Griff fest.

5. Bestimmen Sie die erforderliche Zubereitungszeit für die Zutat (siehe Abschnitt „Einstellungen“ in diesem Kapitel).
6. Einige Zutaten müssen nach der Hälfte der Garzeit geschüttelt werden (siehe Abschnitt „Einstellungen“ in diesem Kapitel). Um die Zutaten zu schütteln, ziehen Sie den Topf am Griff aus dem Gerät und schütteln ihn. Schieben Sie den Topf dann zurück in die Fritteuse.
7. Zum Entnehmen von Zutaten (z. B. Pommes frites) ziehen Sie den Topf aus der Heißluftfritteuse und stellen ihn auf eine hitzebeständige Unterlage, dann heben Sie den Korb aus dem Topf.

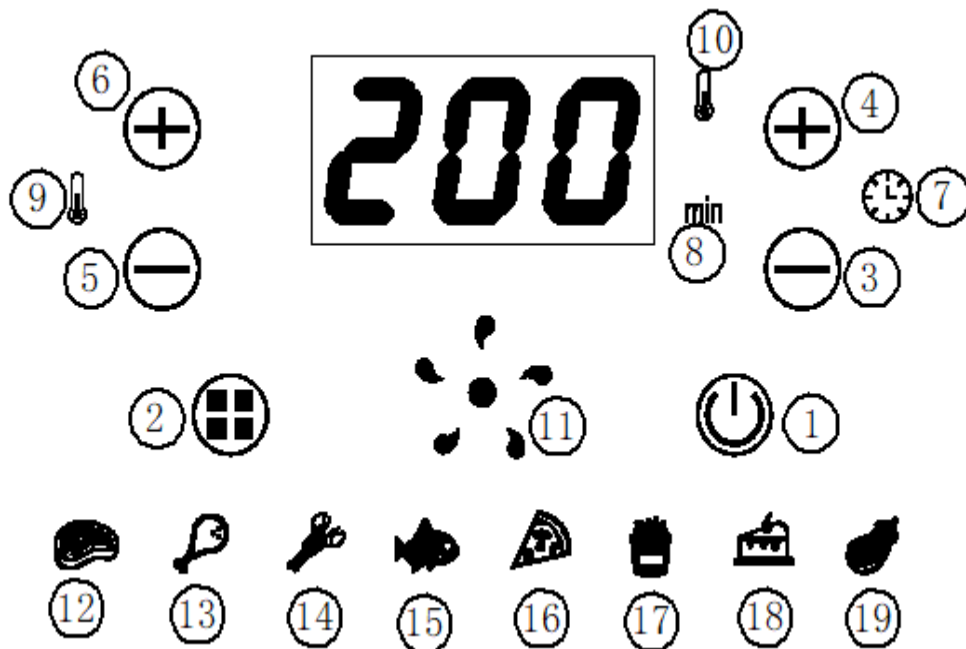
Der Topf und die Zutaten sind heiß und die Fritteuse heiß. Je nach Art der Zutaten in der Luftfritteuse kann Dampf aus der Pfanne entweichen.

8. Leeren Sie den Korb in eine Schüssel oder auf einen Teller.

Tipp: Um große oder empfindliche Zutaten zu entnehmen, heben Sie die Zutaten mit einer Zange aus dem Korb.

9. Wenn eine Charge von Zutaten fertig ist, ist die Heißluftfritteuse sofort für die Zubereitung einer weiteren Charge bereit.

Anweisungen für das Bedienfeld




Betriebsanweisungen:

Taste 1 –Einschalttaste

Sobald der Topf richtig in das Gehäuse des Hauptgeräts eingesetzt ist, leuchtet die Einschalttaste auf. Wenn Sie die Einschalttaste 3 Sekunden lang gedrückt halten, wird die Standardtemperatur des Geräts auf 200 und die Garzeit auf 15 Minuten eingestellt. Wenn Sie die Einschalttaste ein zweites Mal drücken, wird der Garvorgang gestartet. Wenn Sie die Einschalttaste 3 Sekunden lang gedrückt halten, wird das Gerät während des Garvorgangs vollständig abgeschaltet. Alle Leuchten erlöschen, das Gebläse hört auf zu arbeiten.

Hinweis: Während des Garvorgangs können Sie die Taste berühren, um die Pause und den Start des Garvorgangs zu steuern.

Taste 2 –Vorwahltaste

Durch Auswahl der „“ Vorwahltaste können Sie durch die 8 beliebtesten Gerichte blättern. Nach der Auswahl beginnt die vorgegebene Zeit- und Gartemperaturfunktion.

Taste 3 & 4 –Timer-Regeltasten

Mit den Symbolen + und – können Sie die Garzeit um jeweils eine Minute verlängern oder verkürzen. Wenn Sie die Taste gedrückt halten, ändert sich die Zeit schnell.

Taste 5 & 6 –Temperaturregeltasten

Mit den Symbolen + und – können Sie die Gartemperatur jeweils um 5 °C erhöhen oder verringern. Wenn Sie die Taste gedrückt halten, ändert sich die Temperatur schnell. Temperaturregelbereich: 80 °C -200 °C.

Anzeigeleuchte „7 & 8“

Timer-Anzeiger

Anzeigeleuchte „9 & 10“

Temperatur-Anzeige

Anzeigeleuchte „11“

Der mittlere Kreis ist die Heizleuchte, rundherum leuchten 5 Leuchten für den Motorbetrieb

Anzeigeleuchte „12-19“

Rezeptur-Anzeige

Einstellungen

Die nachstehende Tabelle hilft Ihnen bei der Auswahl der Grundeinstellungen für die Zutaten.

Hinweis: Beachten Sie, dass es sich bei diesen Einstellungen um Empfehlungen handelt. Da sich die Zutaten in Bezug auf Herkunft, Größe, Form sowie Marke unterscheiden, können wir nicht die beste Einstellung für Ihre Zutaten garantieren.

Da die Rapid Air Technologie die Luft im Gerät sofort wieder aufheizt, stört das kurze Herausziehen des Topfes aus dem Gerät während des Heißluftfritierens kaum den Ablauf.

Tipps

- *Kleinere Zutaten benötigen in der Regel eine etwas kürzere Zubereitungszeit als größere Zutaten.*
- *Eine größere Menge an Zutaten erfordert nur eine etwas längere Garzeit, eine kleinere Menge an Zutaten erfordert nur eine etwas kürzere Garzeit.*
- *Das Schütteln kleinerer Zutaten nach der Hälfte der Zubereitungszeit optimiert das Endergebnis und kann helfen, ungleichmäßig gebratene Zutaten zu vermeiden.*
- *Fügen Sie etwas Öl zu frischen Kartoffeln hinzu für ein knuspriges Ergebnis. Frittieren Sie Ihre Zutaten in der Heißluftfritteuse innerhalb weniger Minuten, nachdem Sie das Öl hinzugefügt haben.*
- *Bereiten Sie keine extrem fettigen Zutaten wie Würstchen in der Heißluftfritteuse zu.*
- *Snacks, die im Backofen zubereitet werden können, können auch in der Heißluftfritteuse zubereitet werden*
- *Die optimale Menge für die Zubereitung von knusprigen Pommes frites beträgt 500 Gramm.*
- *Verwenden Sie vorgefertigten Teig, um gefüllte Snacks schnell und einfach zuzubereiten. Vorgefertigter Teig benötigt auch eine kürzere Zubereitungszeit als selbstgemachter Teig.*

– Legen Sie ein Backblech oder eine Auflaufform in den Korb der Heißluftfritteuse, wenn Sie einen Kuchen oder eine Quiche backen möchten oder wenn Sie zerbrechliche oder gefüllte Zutaten frittieren möchten

Sie können die Heißluftfritteuse auch zum Aufwärmen von Zutaten verwenden. Zum Aufwärmen von Zutaten stellen Sie die Temperatur auf 150 °C (300 °F) für bis zu 10 Minuten ein.

SYMBOL	Min-Max-Menge (G)	Zeit (Min.)	Temperatur (°C)	Schütteln	Zusätzliche Informationen
Keine	300-400	15	200°C/400°F	Schütteln	
Steak	300-400	12	180°C/360°F	Schütteln	
Hähnchen	300-400	25	180°C/360°F	Schütteln	
Garnelen	300-400	12	180°C/360°F	Schütteln	
Fisch	300-400	18	180°C/360°F	Schütteln	
Pizza	6 (in)	17	160°C/320°F	Schütteln	
Pommes frites	300-400	18	200°C/400°F	Schütteln	
Backwaren	6 (in)	45	160°C/320°F	Schütteln	
Gemüse	300-400	12	180°C/360°F		

Hinweis: Rechnen Sie 3 Minuten zur Garzeit hinzu, wenn Sie mit dem Frittieren beginnen, während die Heißluftfritteuse noch kalt ist.

Bei der ersten Benutzung entsteht eine leichte Rauch- und Geruchsentwicklung, die ein normales Phänomen darstellt.

Reinigung

Reinigen Sie das Gerät nach jedem Gebrauch.

Den Topf und den Korb mit der Antihafbeschichtung. Verwenden Sie zur Reinigung keine Küchenutensilien aus Metall oder Scheuermittel, da dies die Antihafbeschichtung beschädigen kann.

1. Trennen Sie den Netzstecker von der Steckdose und lassen Sie das Gerät abkühlen. Hinweis: Nehmen Sie den Topf heraus, damit die Heißluftfritteuse schneller abkühlen kann.

2. Wischen Sie die Außenseite des Geräts mit einem feuchten Tuch ab.

3. Reinigen Sie den Topf und den Korb mit heißem Wasser, etwas Spülmittel und einem nicht scheuernden Schwamm.

Sie können Entfettungsflüssigkeit verwenden, um restliche Verschmutzungen zu entfernen.

Tipp: Wenn Schmutz am Korb oder am Topfboden festsetzt, füllen Sie den Topf mit heißem Wasser und etwas Spülmittel. Setzen Sie den Korb in den Topf und lassen Sie den Topf und den Korb etwa 10 Minuten lang einweichen.

4. Reinigen Sie das Innere des Geräts mit heißem Wasser und einem nicht scheuerndem Schwamm.

5. Reinigen Sie das Heizelement mit einer Reinigungsbürste, um Essensreste zu entfernen.

Lagerung

1. Trennen Sie den Netzstecker des Geräts und lassen Sie es abkühlen.

2. Stellen Sie sicher, dass alle Teile sauber und trocken sind.

Umwelt


Entsorgen Sie das Gerät nicht mit dem normalen Hausmüll, wenn es nicht mehr funktioniert, sondern geben Sie es bei einer offiziellen Sammelstelle zum Recycling ab. Auf diese Weise helfen Sie, die Umwelt zu schonen.

Fehlersuche

Problem	Mögliche Ursache	Lösung
Die Heißluftfritteuse funktioniert nicht	Das Gerät ist nicht am Stromnetz angeschlossen.	Stecken Sie den Netzstecker in eine geerdete Wandsteckdose.
	Keinen Timer einstellen	Stellen Sie die Timer-Taste auf die gewünschte Garzeit, um das Gerät einzuschalten.
Die mit der Heißluftfritteuse frittierten Zutaten sind nicht gar.	Die Menge der Zutaten im Regal ist zu groß.	Geben Sie kleinere Chargen von Zutaten in den Regal. Kleinere Chargen werden gleichmäßiger gebraten.
	Die eingestellte Temperatur ist zu niedrig.	Stellen Sie die Temperatureinstellung auf die gewünschte Temperatureinstellung (siehe Abschnitt 'Einstellungen' im Kapitel 'Benutzung des Geräts').
	Die Vorbereitungszeit ist zu kurz.	Stellen Sie den Timer auf die gewünschte Zubereitungszeit ein (siehe Abschnitt 'Einstellungen' im Kapitel 'Benutzung des Geräts').
Die Zutaten werden in der Heißluftfritteuse ungleichmäßig frittiert.	Bestimmte Arten von Zutaten müssen nach der Hälfte der Zubereitungszeit geschüttelt werden.	Zutaten, die übereinander oder quer liegen (z. B. Pommes frites), müssen nach der Hälfte der Zubereitungszeit geschüttelt werden. Siehe Abschnitt 'Einstellungen' im Kapitel 'Benutzung des Geräts'.
Frittierte Snacks sind nicht knusprig, wenn sie der Heißluftfritteuse entnommen werden.	Sie haben eine Art von Snacks verwendet, die für die Zubereitung in einer traditionellen Fritteuse vorgesehen sind.	Verwenden Sie Backofensnacks oder bestreichen Sie die Snacks leicht mit Öl für ein knusprigeres Ergebnis.
Ich kann die Pfanne nicht richtig in das Gerät einschieben.	Es befinden sich zu viele Zutaten im Pfanne.	Füllen Sie den Pfanne nicht über die 80% -Anzeige hinaus.
	Der Korb ist nicht richtig in den Pfanne eingesetzt.	Drücken Sie die Pfanne erneut in die richtige Richtung.
Aus dem Gerät tritt weißer Rauch aus.	Sie bereiten fettige Zutaten zu.	Wenn Sie fettige Zutaten in der Heißluftfritteuse frittieren, läuft eine große Menge Öl in den Topf. Das Öl erzeugt weißen Rauch und der Topf kann sich stärker erhitzen als gewöhnlich. Dies hat keinen Einfluss auf das Gerät oder das Endergebnis.
	Der Topf enthält noch Fettreste vom vorherigen Gebrauch.	Der weiße Rauch wird durch die Erhitzung des Fetts im Topf Pfanne verursacht. Achten Sie darauf, dass Sie den Topf nach jedem Gebrauch richtig reinigen.

Frische Pommes frites werden in der Luftfritteuse ungleichmäßig frittiert.	Sie haben nicht den richtigen Kartoffeltyp verwendet.	Verwenden Sie frische Kartoffeln und achten Sie darauf, dass sie beim Frittieren beständig bleiben.
	Sie haben die Kartoffelstäbchen vor dem Braten nicht richtig ab gespült.	Spülen Sie die Kartoffelstäbchen gut ab, um die Stärke an der Außenseite der Stäbchen zu entfernen.
Frische Pommes frites sind nicht knusprig, wenn sie der Luftfritteuse entnommen werden.	Die Knusprigkeit der Pommes frites hängt von der Menge an Öl und Wasser in den Pommes ab.	Achten Sie darauf, dass Sie die Kartoffelstäbchen gut trocknen, bevor Sie das Öl hinzufügen.
		Schneiden Sie die Kartoffelstäbchen kleiner, um ein knusprigeres Ergebnis zu erzielen.
		Geben Sie etwas mehr Öl hinzu, um ein knusprigeres Ergebnis zu erzielen.

Korrekte Entsorgung dieses Produkts

	<p>Diese Kennzeichnung weist darauf hin, dass dieses Produkt in der gesamten EU nicht zusammen mit anderen Haushaltsabfällen entsorgt werden darf. Um mögliche Schäden für die Umwelt oder die menschliche Gesundheit durch unkontrollierte Abfallentsorgung zu vermeiden, recyceln Sie es verantwortungsbewusst, um die nachhaltige Wiederverwendung von Materialressourcen zu fördern. Um Ihr Altgerät zurückzugeben, nutzen Sie bitte die Rückgabe- und Sammelsysteme oder wenden Sie sich an den Händler, bei dem das Produkt gekauft wurde. Diese können das Produkt einem umweltgerechten Recycling zuführen.</p>
--	---

Wenn Sie Fragen haben, wenden Sie sich bitte an unser Kundendienstzentrum. Unsere Kontaktdaten stehen unten:

 0049-0(40)-88307530

 service@aosom.de

ADRESSE DES IMPORTEURE:
 MH Handel GmbH
 Wendenstraße 309
 D-20537 Hamburg
 Germany
 IN CHINA HERGESTELLT

INTRODUZIONE

Questa friggitrice ad aria calda offre un modo semplice e salutare di preparare i vostri ingredienti preferiti. Grazie alla rapida circolazione d'aria calda e una griglia superiore, è in grado di preparare numerose ricette. Il miglior vantaggio della friggitrice ad aria calda è che essa riscalda il cibo in tutte le direzioni e la maggior parte degli ingredienti non ha bisogno di aggiungere olio.

CONSERVARE QUESTE ISTRUZIONI

Questo apparecchio è destinato all'uso domestico o simile come:

- aree cucina del personale in negozi, uffici e altri ambienti di lavoro;
- case in affitto;
- da clienti in hotel, motel e altri ambienti di tipo residenziale;
- ambienti come bed and breakfast.

IMPORTANTI PRECAUZIONI

Quando si utilizzano apparecchi elettrici, è necessario seguire sempre le precauzioni di sicurezza di base, tra le quali:

1. Leggere tutte le istruzioni.
2. Non toccare direttamente le superfici roventi.
3. Per proteggersi dalle scosse elettriche, non immergere il cavo, le spine o la base in acqua o altri liquidi.
4. **AVVERTENZA:** questo apparecchio elettrico è dotato di una funzione di riscaldamento. Le superfici, anche diverse dalle superfici di cottura, possono arrivare a temperature elevate. Poiché le temperature sono percepite in modo diverso da persone diverse, questo apparecchio deve essere utilizzato con **ATTENZIONE**. L'apparecchio deve essere maneggiato solo dalle maniglie e dalle superfici di presa previste e utilizzare protezioni dal calore come guanti o simili. Le superfici diverse dalle superfici di presa devono essere lasciate raffreddare per un tempo sufficiente prima di essere toccate.
5. Scollegare dalla presa di corrente quando non è in uso e prima della pulizia. Lasciare raffreddare prima di aggiungere o rimuovere delle parti.
6. Se il cavo di alimentazione è danneggiato, deve essere sostituito dal produttore, dal suo agente di servizio o da personale qualificato per evitare pericoli.
7. L'uso di accessori non consigliati dal produttore dell'apparecchio può causare lesioni personali.
8. Non utilizzare all'aperto.
9. Non lasciare che il cavo penda dal bordo del tavolo o del bancone o che venga a contatto con superfici calde.
10. Non posizionare sopra o vicino a fornelli a gas o elettrici caldi, o in un forno riscaldato.
11. Prestare estrema cautela quando si sposta un apparecchio che contiene olio caldo o altri liquidi caldi.
12. Collegare sempre prima la spina all'apparecchio, quindi collegare il cavo alla presa di corrente a muro. Per scollegare, portare qualsiasi manopola su "off", quindi rimuovere la spina dalla presa.
13. Non utilizzare l'apparecchio per un uso diverso da quello previsto.
14. Questo apparecchio può essere utilizzato da bambini di età pari o superiore a 8 anni e da persone con capacità fisiche, sensoriali o mentali ridotte o prive di esperienza e conoscenza tecnica se sono supervisionati o istruiti sull'uso dell'apparecchio in modo sicuro e ne comprendono i pericoli coinvolti. I bambini non devono giocare con l'apparecchio. La pulizia e la manutenzione non devono essere eseguite da bambini a meno che non abbiano compiuto gli 8 anni e non siano sorvegliati.
15. Tenere l'apparecchio e il suo cavo fuori dalla portata dei bambini sotto gli 8 anni.
16. L'apparecchio non è destinato ad essere azionato mediante un timer esterno o un sistema di controllo remoto separato.

Specifiche & Caratteristiche:

- Tensione:220-240V ~50/60Hz
- Wattaggio: 1500 W
- Capacità del cestello:4,5 L
- Temperatura regolabile:80 °C – 200 °C
- Timer (0-60 min)

Descrizione Generale (Fig.1)

1. Involucro
2. Pannello di controllo
3. Manico della pentola
4. Pentola
5. Presa dell'aria in uscita
6. Cavo principale (cavo di alimentazione)
7. Alloggiamento principale

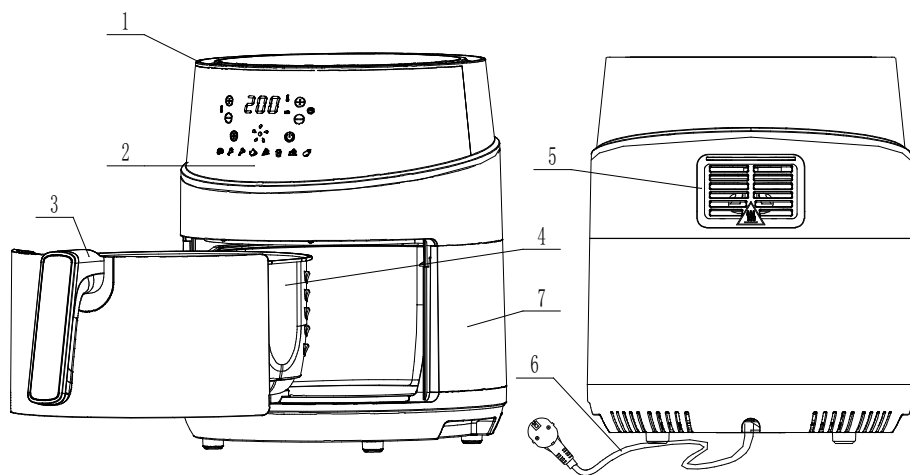


Fig.1



Fig. 2

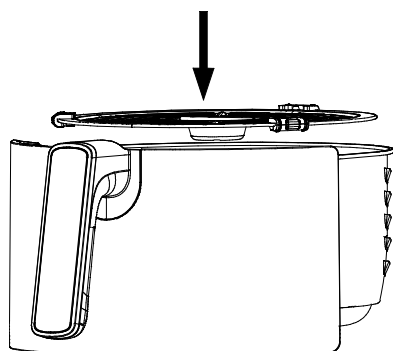


Fig. 3

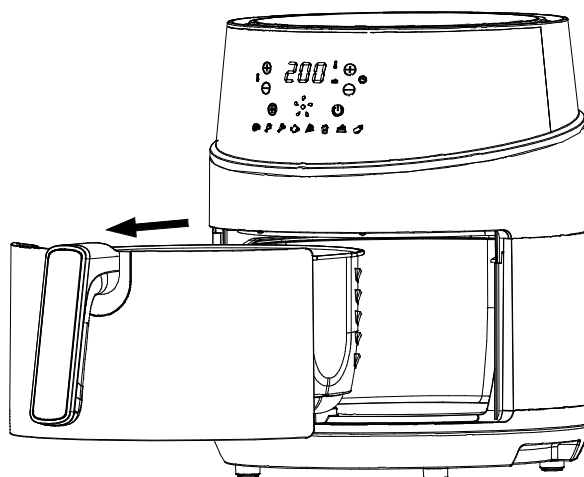


Fig. 4

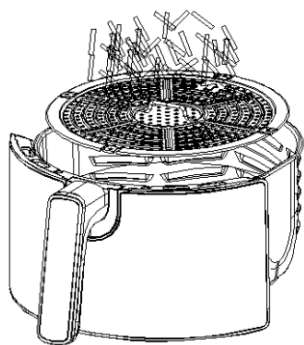


Fig. 5

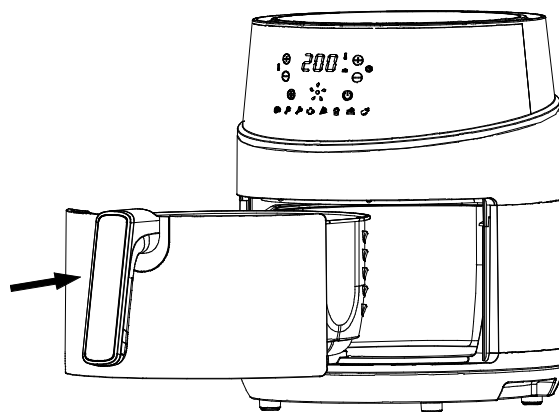


Fig. 6

Importante !**Pericolo**

- Questo apparecchio può essere utilizzato da bambini di età pari o superiore a 8 anni e da persone con capacità fisiche, sensoriali o mentali ridotte o prive di esperienza e conoscenza tecnica, se sono supervisionati o istruiti sull'uso dell'apparecchio in modo sicuro e ne hanno compreso le pericoli coinvolti. I bambini non devono giocare con l'apparecchio. La pulizia e la manutenzione non devono essere eseguite da bambini sotto gli 8 anni e senza essere sorvegliati.
- Tenere l'apparecchio e il suo cavo fuori dalla portata dei bambini di età inferiore a 8 anni.
- Non immergere mai l'alloggiamento, che contiene i componenti elettrici e i componenti riscaldanti, in acqua né sciacquarlo sotto il rubinetto.
- Non lasciare che acqua o altri liquidi penetrino nell'apparecchio per evitare scosse elettriche.
- Versare sempre gli ingredienti da friggere nel cestello, per evitare che entrino in contatto con i componenti riscaldanti.
- Non coprire la presa d'aria in ingresso e in uscita mentre l'apparecchio è in funzione.
- Non riempire il cestello con olio in quanto ciò potrebbe causare un incendio.
- Non toccare mai l'interno dell'apparecchio mentre è in funzione.
- La temperatura delle superfici accessibili può essere molto elevata quando l'apparecchio è in funzione

AVVERTENZA

- Verificare che la tensione indicata sull'apparecchio corrisponda alla tensione della rete elettrica locale.
- Non utilizzare l'apparecchio se la spina, il cavo di alimentazione o altre parti sono danneggiate.
- Non rivolgersi a personale non autorizzato per sostituire o riparare il cavo di alimentazione danneggiato.
- Tenere il cavo di alimentazione lontano da superfici roventi.
- Non collegare l'apparecchio o azionare il pannello di controllo con le mani bagnate.
- Non posizionare l'apparecchio contro una parete o contro altri apparecchi elettrici. Lasciare almeno 10 cm di spazio libero sul retro e sui lati e 10 cm di spazio libero sopra l'apparecchio.
- Non appoggiare alcun oggetto sopra l'apparecchio.
- Non utilizzare l'apparecchio per scopi diversi da quelli indicati in questo manuale.
- Non mettere in funzione l'apparecchio se è incustodito.
- Durante la frittura ad aria calda, il vapore caldo verrà rilasciato attraverso le prese di uscita dell'aria. Tenere le mani e il viso a distanza di sicurezza dal vapore e dalle prese.
- Fare attenzione anche al vapore e all'aria caldi quando si rimuove la pentola dall'apparecchio.

- Qualsiasi superficie accessibile può surriscaldarsi durante l'uso (Fig.2)
- Scollegare immediatamente l'apparecchio del fumo scuro fuoriesce dall'apparecchio. Attendere l'arresto dell'emissione di fumo prima di rimuovere la pentola dall'apparecchio.

Attenzione

- Assicurarsi che l'apparecchio sia posizionato su una superficie orizzontale, in piano e stabile.
- Questo apparecchio è progettato esclusivamente per uso domestico. Non è adatto per essere utilizzato in sicurezza in ambienti come cucine del personale lavorativo, fattorie, motel e altri ambienti non residenziali. Non è inoltre destinato all'uso da parte dei clienti in hotel, motel, bed and breakfast e altri ambienti residenziali.
- Se l'apparecchio viene utilizzato in modo incorretto o per scopi professionali o semiprofessionali o non viene utilizzato secondo le istruzioni contenute nel manuale d'uso, la garanzia decade e si declina ogni responsabilità per eventuali danni causati.
- Scollegare sempre l'apparecchio dalla corrente quando non è in uso.
- L'apparecchio necessita di circa 30 minuti per raffreddarsi prima di essere maneggiato o pulito in sicurezza.

Prima del primo utilizzo

1. Rimuovere tutti i materiali di imballaggio.
2. Rimuovere eventuali adesivi o etichette dall'apparecchio.
3. Pulire accuratamente il ripiano e la pentola con acqua calda, un po' di detersivo e una spugna non abrasiva.
4. Pulire l'interno e l'esterno dell'apparecchio con un panno umido.

Questa è una friggitrice senza olio che funziona ad aria calda, non riempire la padella con olio o grasso di frittura.

Preparazione per l'uso

1. Posizionare l'apparecchio su una superficie stabile, orizzontale e in piano. Non posizionare l'apparecchio su una superficie non resistente al calore.
2. Inserire la griglia nella pentola (Fig.3).
Non versare nella pentola olio o altri liquidi.
Non collocare alcun oggetto sopra l'apparecchio, il flusso d'aria sarà interrotto e ciò influenzerà il risultato della frittura ad aria calda.

UTILIZZO DELL'APPARECCHIO

È possibile preparare una vasta gamma di ingredienti senza utilizzare olio.

Frittura ad aria calda

1. Collegare la spina a una presa di corrente a muro con collegamento a terra.
2. Estrarre con cautela la pentola dalla friggitrice (Fig.4)
3. Versare gli ingredienti nel cestello. (Fig.5)
4. Rimettere la pentola nella friggitrice ad aria calda (Fig 6)
Fare in modo che si allinea ai binari guida della friggitrice.
Non usare mai la pentola senza il cestello.

Attenzione: non toccare la pentola durante e dopo l'uso, poiché si scalda molto. Afferrare la pentola solo per il manico.

5. Determinare il tempo di cottura richiesto per l'ingrediente scelto (fare riferimento alla sezione "Impostazioni" in questo capitolo).
6. Alcuni ingredienti richiedono di essere agitati a metà del tempo di cottura (fare riferimento alla sezione "Impostazioni" in questo capitolo). Per agitare gli ingredienti,

estrarre la pentola dall'apparecchio afferrandola per la maniglia e scuoterla. Quindi rimettere la pentola nella friggitrice ad aria.

7. Per estrarre gli ingredienti (ad es. patatine fritte), rimuovere la padella dalla friggitrice ad aria calda e posizionarla sul bancone, quindi sollevare il ripiano dalla padella.

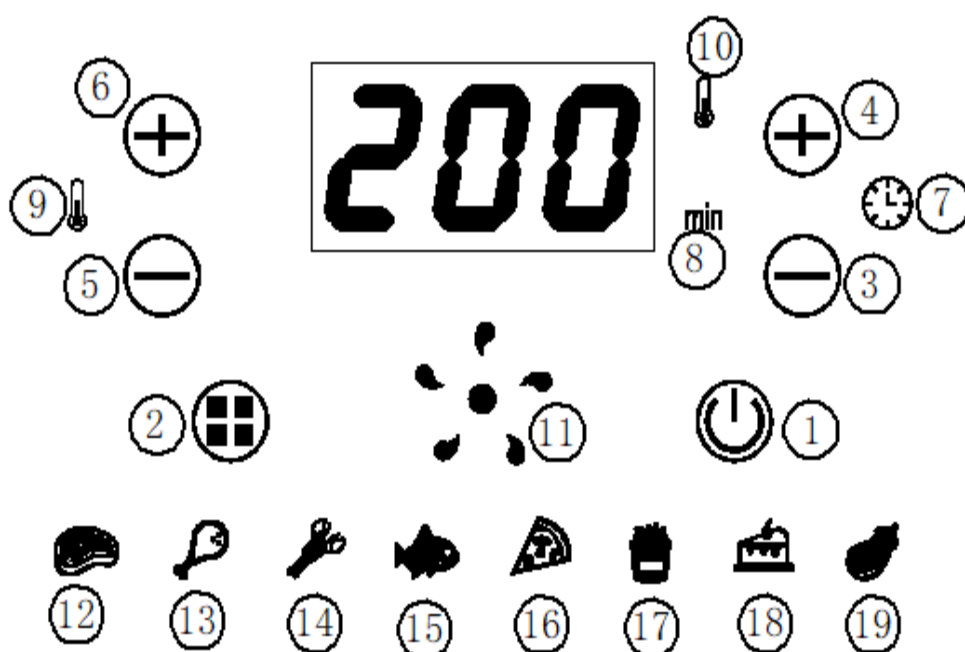
La padella e gli ingredienti sono molto caldi all'interno della friggitrice. A seconda del tipo di ingredienti nella friggitrice ad aria, il vapore potrebbe fuoriuscire dalla padella.

8. Svuotare il contenuto in una ciotola o su un piatto.

Suggerimento: per rimuovere ingredienti grandi o fragili, sollevarli dalla padella con un paio di pinze.

9. Quando un gruppo di ingredienti è pronto, la friggitrice ad aria calda è immediatamente pronta per prepararne un altro.

Istruzioni del pannello di controllo




Istruzioni d'uso:

Pulsante 1 – Pulsante di accensione

Una volta che la padella è posizionata correttamente nell'alloggiamento dell'unità principale, il pulsante di accensione si illuminerà. Tenere premuto il pulsante di accensione per 3 secondi, la temperatura predefinita dell'unità verrà impostata a 200 gradi, e il tempo di cottura sarà impostato a 15 minuti. Premere nuovamente il pulsante di accensione per avviare il processo di cottura. Tenere premuto il pulsante di accensione per 3 secondi per spegnere il dispositivo durante la cottura. Tutte le spie luminose si spegneranno, la ventola smetterà di funzionare.

Nota: durante la cottura, è possibile premere il pulsante per controllare la pausa e l'inizio della cottura.

Pulsante 2 – Pulsante delle Preimpostazioni

Premere il pulsante “” consente di scorrere tra le 8 scelte più popolari. Una volta selezionata una, inizieranno il tempo e la temperatura di cottura prestabiliti.

Pulsante 3&4 – Pulsante di Controllo del Tempo

I simboli + e – consentono di aumentare o diminuire il tempo di cottura, un minuto alla volta. Tenere premuto il pulsante per cambia rapidamente il tempo di cottura.

Pulsante 5 e 6 – Pulsanti di Controllo della Temperatura

I simboli + e – consentono di aumentare o diminuire la temperatura di cottura di 5 alla volta. Tenere premuto il pulsante per modificare rapidamente la temperatura. Intervallo di controllo della temperatura: 80°C-200°C.

Spia luminosa “7&8”

Indicatore del tempo di cottura

Spia luminosa “9&10”

Indicatore della temperatura

Spia luminosa “11”

Il cerchio centrale indica lo stadio di riscaldamento (5 spie illuminate indicano il funzionamento del motore)

Spia luminosa “12-19”

Indicatore della ricetta

Impostazioni

La seguente tabella vi aiuterà a selezionare le impostazioni di base per gli ingredienti scelti.

Nota: queste impostazioni sono solo delle indicazioni. Poiché gli ingredienti differiscono per origine, dimensione, forma e marca, non è possibile garantire la migliore impostazione per gli ingredienti da voi selezionati.

Poiché' la tecnologia Rapid Air riscalda istantaneamente l'aria all'interno dell'apparecchio, estrarre anche brevemente la pentola dall'apparecchio durante la frittura ad aria calda ne comprometterà il processo.

Suggerimenti

- *Gli ingredienti più piccoli di solito richiedono un tempo di cottura leggermente più breve rispetto a quelli più grandi.*
- *Una quantità maggiore di ingredienti richiede un tempo di preparazione leggermente più lungo, una quantità minore di ingredienti richiede un tempo di preparazione leggermente più breve.*
- *Agitare gli ingredienti più piccoli una volta raggiunta la metà del tempo di cottura per ottimizzare il risultato finale e prevenire che gli ingredienti siano fritti in modo non uniforme.*
- *Aggiungere un filo d'olio alle patate fresche per ottenere un risultato croccante. Friggere gli ingredienti nella friggitrice ad aria calda entro pochi minuti dall'aggiunta dell'olio.*
- *Non friggere ingredienti estremamente grassi come salsicce nella friggitrice ad aria calda.*
- *Gli spuntini che possono essere preparati in forno possono essere preparati anche nella friggitrice ad aria calda.*
- *La quantità ottimale per la preparazione di patatine croccanti è di 500 grammi.*
- *Usare un impasto già pronto per preparare spuntini ripieni in modo rapido e semplice. Un impasto confezionato richiede un tempo di preparazione più breve rispetto ad uno fatto in casa.*

- Mettere una teglia nel cestello della friggitrice ad aria calda per cuocere una torta o una quiche o per friggere ingredienti fragili o ingredienti ripieni.

- È possibile anche usare la friggitrice ad aria calda per riscaldare gli ingredienti. Per riscaldare gli ingredienti, impostare la temperatura su 150 °C (300 oF) fino ad un massimo di 10 minuti.

ICONA	Quantità' min-max (g)	Tempo (min.)	Temperatura (°C)	Scuotere	Informazioni extra
Nessuna	300-400	15	200°C/400°F	Scuotere	
Bistecca	300-400	12	180°C/360°F	Scuotere	
Pollo	300-400	25	180°C/360°F	Scuotere	
Gamberi	300-400	12	180°C/360°F	Scuotere	
Pesce	300-400	18	180°C/360°F	Scuotere	
Pizza	6 (in)	17	160°C/320°F	Scuotere	
Patatine	300-400	18	200°C/400°F	Scuotere	
Sfornati	6 (in)	45	160°C/320°F	Scuotere	
Vegetali	300-400	12	180°C/360°F		

Nota: aggiungere 3 minuti al tempo di preparazione quando si inizia a friggere mentre la friggitrice ad aria calda è ancora fredda.

Se è prima volta che si usa il prodotto, ci saranno un leggero fumo e odore, questo è un fenomeno normale

Pulizia

Pulire l'apparecchio dopo ogni utilizzo.

La pentola e il cestello sono dotati di rivestimento antiaderente. Non utilizzare utensili da cucina in metallo o materiali di pulizia abrasivi per pulirli, poiché ciò potrebbe danneggiare il rivestimento antiaderente.

1. Rimuovere la spina dalla presa di corrente e lasciare raffreddare l'apparecchio.

Nota: estrarre la pentola per far raffreddare più rapidamente la friggitrice ad aria calda.

2. Pulire l'esterno dell'apparecchio con un panno umido.

3. Pulire la pentola e il cestello con acqua calda, del detersivo per piatti e una spugna non abrasiva.

È possibile usare un liquido sgrassante per rimuovere lo sporco residuo.

Suggerimento: se lo sporco si è depositato sul cestello o sul fondo della pentola, riempire la pentola con acqua calda e del detersivo per piatti. Mettere il cestello nella pentola e lasciarli in ammollo per circa 10 minuti.

4. Pulire l'interno dell'apparecchio con acqua calda e spugna non abrasiva.

5. Pulire i componenti riscaldanti con una spazzola per la pulizia per rimuovere eventuali residui di cibo.

Conservazione

1. Scollegare l'apparecchio dalla presa e lasciarlo raffreddare.

2. Assicurarci che tutte le parti siano pulite e asciutte.

Ambiente


Non smaltire l'apparecchio con i normali rifiuti domestici quando è usurato, ma portarlo a un punto di raccolta adibito al riciclaggio. In questo modo, contribuirete a preservare l'ambiente.

Risoluzione dei Problemi


Problema	Possibile causa	Soluzione
La friggitrice ad aria non funziona	L'apparecchio non è collegato alla corrente.	Inserire la spina in una presa di corrente a muro con collegamento a terra.
	Non impostare il timer	Impostare il timer sul tempo di cottura richiesto per accendere l'apparecchio.
Gli ingredienti fritti con la friggitrice ad aria non sono cotti.	La quantità di ingredienti nel ripiano è eccessiva.	Versare quantità minori di ingredienti nel ripiano. I lotti più piccoli vengono fritti in modo più uniforme.
	La temperatura impostata è troppo bassa.	Usare il tasto della temperatura per impostarla come richiesto (fare riferimento alla sezione "Impostazioni" nel capitolo "Utilizzo dell'apparecchio").
	Il tempo di cottura è troppo breve.	Usare il tasto del timer per impostarlo come richiesto (fare riferimento alla sezione "Impostazioni" nel capitolo "Utilizzo dell'apparecchio").
Gli ingredienti vengono fritti in modo non uniforme nella friggitrice ad aria.	Alcuni tipi di ingredienti devono essere agitati a metà del tempo di cottura.	Gli ingredienti che si trovano a contatto uno sull'altro o uno di fronte all'altro (ad esempio le patatine fritte) devono essere agitati a metà del tempo di cottura. Fare riferimento alla sezione "Impostazioni" nel capitolo "Utilizzo dell'apparecchio".
Gli snack fritti non sono croccanti quando escono dalla friggitrice ad aria.	È stato usato un tipo di snack che deve essere preparato in una friggitrice tradizionale.	Usare degli snack da forno o passare leggermente dell'olio sugli snack per ottenere un risultato più croccante.
Non si riesce a far scorrere correttamente la pentola nell'apparecchio.	Ci sono troppi ingredienti nel pentola.	Non riempire il pentola oltre l'indicatore 80%.
	Il cestello non è posizionato correttamente nella pentola.	Spingere di nuovo la Pentola nella direzione corretta.
Dall'apparecchio fuoriesce del fumo bianco.	State preparando degli ingredienti grassi.	Quando si friggono ingredienti grassi nella friggitrice ad aria, una grande quantità di olio colerà nella pentola. L'olio produce fumo bianco e la pentola potrebbe surriscaldarsi più del solito. Ciò non influisce sull'apparecchio o sul risultato finale.
	La pentola contiene ancora residui di grasso da una cottura precedente.	Il fumo bianco è causato dal riscaldamento del grasso nella padella. Assicurarsi di pulire sempre correttamente la padella dopo ogni utilizzo.

Le patatine vengono fritte in modo non uniforme nella friggitrice ad aria.	Non avete usato il tipo di patata corretto.	Usare patate fresche e assicurarsi che rimangano sode durante la frittura.
	Non avete sciacquato bene i bastoncini di patate prima di friggerli.	Sciacquare bene i bastoncini di patate per rimuovere l'amido dall'esterno dei bastoncini.
Le patatine fresche non sono croccanti quando escono dalla friggitrice ad aria.	La croccantezza delle patatine dipende dalla quantità di olio e acqua nelle patatine.	Assicurarsi di asciugare bene i bastoncini di patate prima di versare l'olio.
		Tagliare i bastoncini di patate più fini per un risultato più croccante.
		Aggiungere un filo d'olio per ottenere un risultato più croccante.

Smaltimento corretto di questo prodotto

	<p>Questo simbolo indica che questo prodotto non deve essere smaltito con altri rifiuti domestici in tutta l'UE. Per prevenire possibili danni all'ambiente o alla salute umana derivanti dallo smaltimento incontrollato dei rifiuti, essi devono essere riciclati in modo responsabile per promuovere il riutilizzo sostenibile delle risorse materiali. Per restituire il dispositivo usato, utilizzare i sistemi di restituzione e raccolta o contattare il rivenditore presso il quale è stato acquistato il prodotto. Il rivenditore potrà ritirare questo prodotto per un riciclaggio sicuro per l'ambiente.</p>
--	---

In caso di dubbio, si prega di contattare il nostro centro assistenza clienti.
I nostri dettagli di contatto sono di seguito:

 0039-0249471447

 clienti@aosom.it

IMPORTATO DA:
AOSOM Italy srl
Centro Direzionale Milanofiori
Strada 1 Palazzo F1
20057 Assago (MI)
P.I.: 08567220960
FATTO IN CINA

