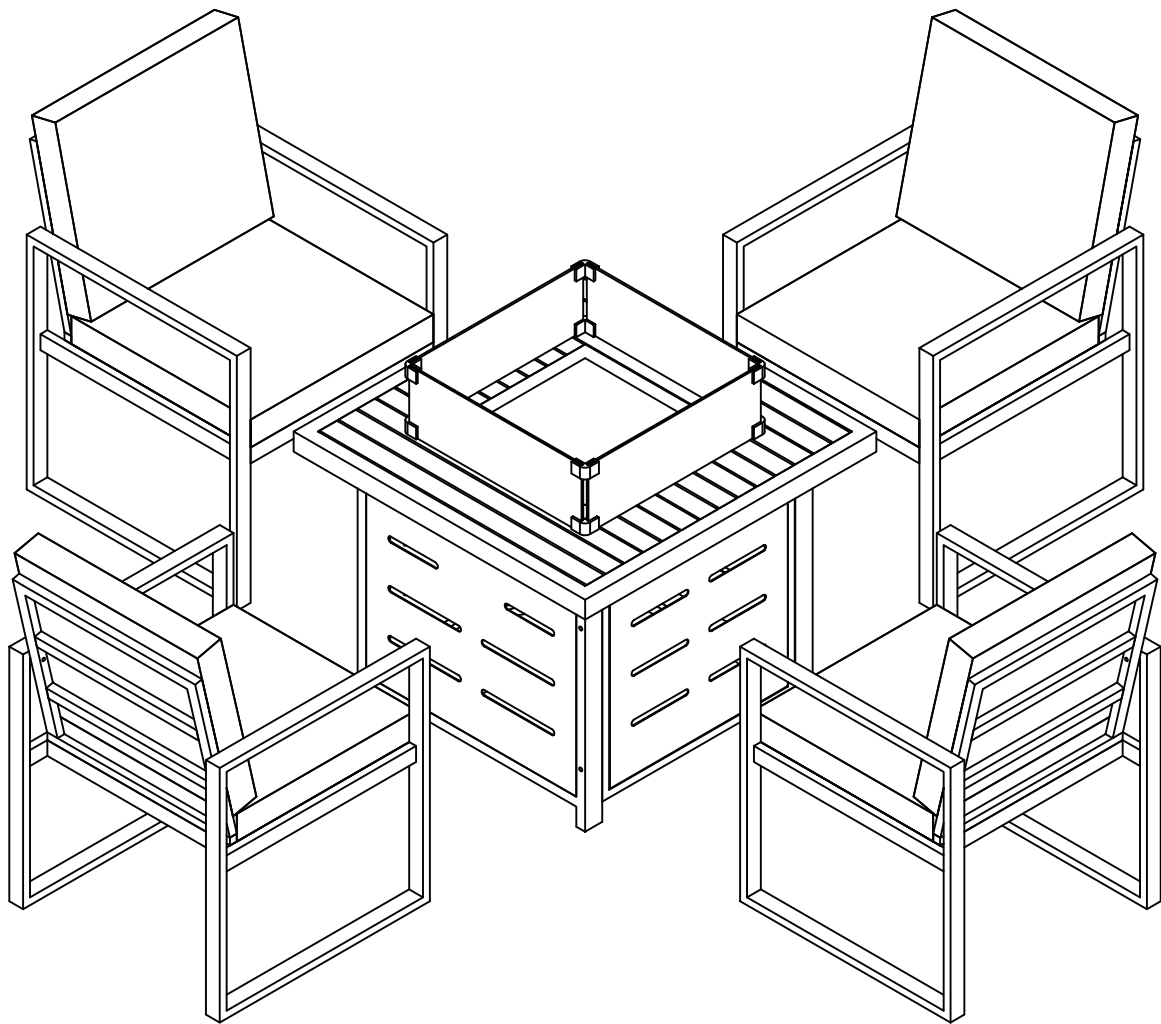




IN221100190V01_UK

84G-119V70





IMPORTANT, RETAIN FOR FUTURE REFERENCE: READ CAREFULLY

ASSEMBLY INSTRUCTION

Dear customer,

Thank you for purchasing this product. So that your appliance serves you well, please read all the instructions in this user's manual. If you have any questions, please contact our customer care center.

Our contact details are below:

Country	 Phone	 Email
UK	0044-800-240-4004	enquiries@mhstar.co.uk

IMPORTER ADDRESS:

MH STAR UK LTD
Unit 27, Perivale Park,
Horsenden lane South
Perivale, UB6 7RH

MADE IN CHINA

FOR YOUR SAFETY:

1. Read this guide before attempting to assemble or operate your firepit. The firepit must be installed in accordance with the instructions and local regulations.
2. Change the gas cylinder in a amply ventilated area, away from any ignition source.
3. Do not move the firepit when in operation.
4. Check the regulator seal is correctly fitted and able to fulfill its function.
5. Check for your leaks according to directions in this firepit guide before operating your firepit, even if you purchased this firepit assembled.

THIS FIREPIT IS FOR OUT DOOR USE ONLY!

DANGER:

If you smell gas:

- 1 Shut off gas to the appliance.
- 2 Extinguish any open flame.
- 3 If odor continues, keep away from appliance and call your local fire department.

WARNING:

PLEASE READ CAREFULLY THE FOLLOWING SAFETY GUIDELINES BEFORE OPERATION.

TO change the gas cylinder in a amply ventilated area,away from any ignition source(candle,cigarettes,other flame producing appliances,... minimum distance :1m).

To check that the regulator seal is correctly fitted and able to fulfil its function.

The system shall not be adjusted by the installer.

Do not obstruct the ventilation holes of the cylinder housing.

In the event of gas leakage,the appliance shall not be used of alight,the gas supply shall be shut off and the appliance shall be investigated and rectified before it is used again.

This appliance must be installed and the gas cylinder stored in accordance with regulation in force.

Do not move the appliance when in operation.

Shut off the valve at the gas cylinder or the regulator before moving the appliance.

The tubing or the flexible hose must be changed with the prescribed intervals.

Use only the type of gas and the type of cylinder specified by the manufacturer.

In case of violent wind particular attention must be taken against tilting of the appliance.

Be careful,accessible parts may be a little hot.Keep away from young children.

The minimum distance to be respected from non protected combustible materials.

Read the instructions before using this appliance.The appliance must be installed in accordance with the instructions and local regulations.

The use of this appliance in enclosed areas can be dangerous and is PROHIBITED.

Outdoor used only.

These instructions are only valid if the following country code is on the appliance.If this code is not present on the appliance it is necessary to refer to the technical instructions which will provide the necessary information concerning the modification of the appliance to the condition of use for the country.

A guard should be used for the protection of young children, the elderly or infirm.
 Before installation, ensure that the local distribution conditions (identification of the type of gas and pressure) and the adjustment of the appliance are compatible.
 The appliance requires a non-combustible hearth, in accordance with national regulations.
 The appliance shall be connected in accordance with national regulations.
 This appliance is intended for decorative purposes.
 The appliance need for regular servicing.

Appliance stand and location

The appliance is for outdoor use only. Do not use it for indoor or in an enclosed area. Always ensure that adequate fresh air ventilation is provided.
 Always maintain proper clearance from combustible material. i.e. top 1000mm and sides 600mm minimum.
 Never operate appliance in an explosive atmosphere like in areas where gasoline or other flammable liquids or vapors are stored.

Warning: Be carefully, accessibly parts may be a little hot, Keep away from young children when you see.

Gas requirements

The appliance pressure:

	I3B/P(30)	I3+(28-30/37)	I3B/P(37)	I3B/P(50)
Gas category	G30 Butane and G31 Propane at 30mbar	G30 Butane at 28-30mbar and G31 Propane at 37mbar	G30 Butane and G31 Propane at 37mbar	G30 Butane and G31 Propane at 50mbar
Country	BE, CY, DK, EE, FI, BE, CH, CY, CZ, FR, GB, HU, IT, LT, ES, FR, GB, GR, NL, NO, SE, SI, SK, IE, IT, LT, LU, LV, RO, HR, TR, BG, IS, PT, SK, SI. LU, MT.		PL	AT, CH, DE, SK

Input heat: 17.5KW (gross)

Using low pressure LPG regulator

Hose: length- 950mm, material-PVC, diameter- ϕ 14.5mm

Gas to be supply: Propane

LPG Gas Cylinder size: not exceed 6kg (maximum), height 450 mm, diameter 310 mm

Check the flexible gas hose and other gas connections, at least once per month and each time the LPG Gas Cylinder is changed. If it shows signs of cracking, splitting or other deterioration, it shall be exchanged with a new hose according to National Rules in force of same length, and of the equivalent quality.

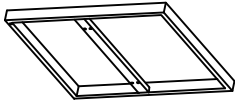
The installation must be done accordance to National Rules in force.

A dented, rusted or damaged LPG gas cylinder, maybe hazardous and should be checked by your LPG gas cylinder supplier. Never use a LPG gas cylinder with a damaged valve connection.

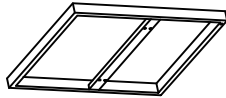
Disconnect the LPG gas cylinder when the appliance is not use.

BOX 1-4

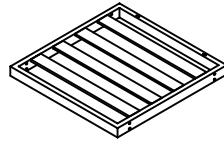
Ax 2



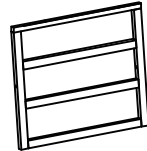
Bx 2



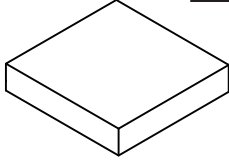
Cx 2



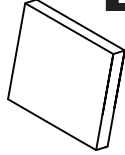
Dx 2



Kx 2

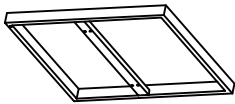


Lx 2

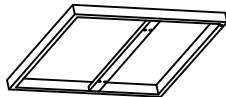


BOX 2-4

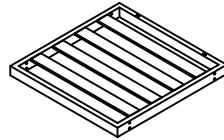
Ax 2



Bx 2



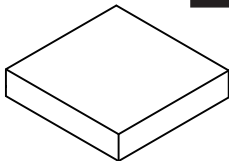
Cx 2



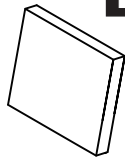
Dx 2



Kx 2

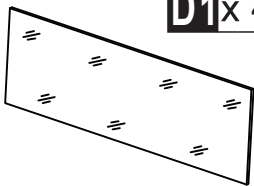


Lx 2



BOX 3-4

D1x 4



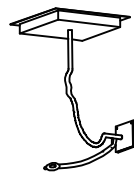
F1x 1



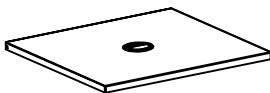
G1x 1



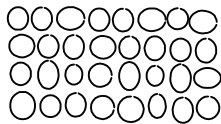
Ux 1



Rx 1



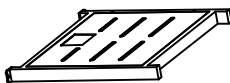
Sx 1



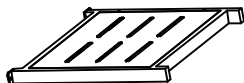
Hardware Kit

BOX 4-4

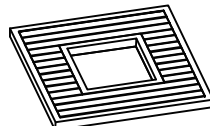
A1x 1



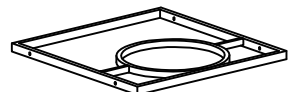
B1x 1

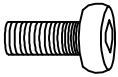
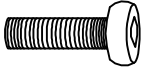

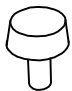


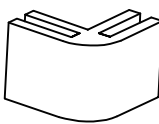
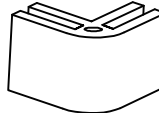

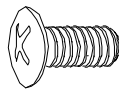
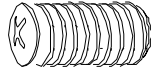
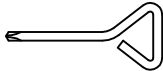
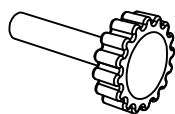



C1x 1



E1x 1



 <p>E x40 +1 (spare)</p> <p>M6*35</p>	 <p>F x 8 +1 (spare)</p> <p>M6*45</p>	 <p>G x 8 +1 (spare)</p> <p>M6*55</p>
 <p>H x16</p>	 <p>J x64 +1 (spare)</p>	 <p>H1 x 4</p>
 <p>J1 x 4</p>	 <p>K1 x 4</p>	 <p>L1 x 4</p> <p>M6*15</p>
 <p>X x 4</p> <p>M4*12</p>	 <p>Y x16 +1 (spare)</p> <p>M8*6</p>	 <p>Z x 1</p>
 <p>N x 1</p>	 <p>V x 4</p> <p>M6*10</p>	



Do not confuse similar screws. Do not tighten bolts fully until all parts are connected!

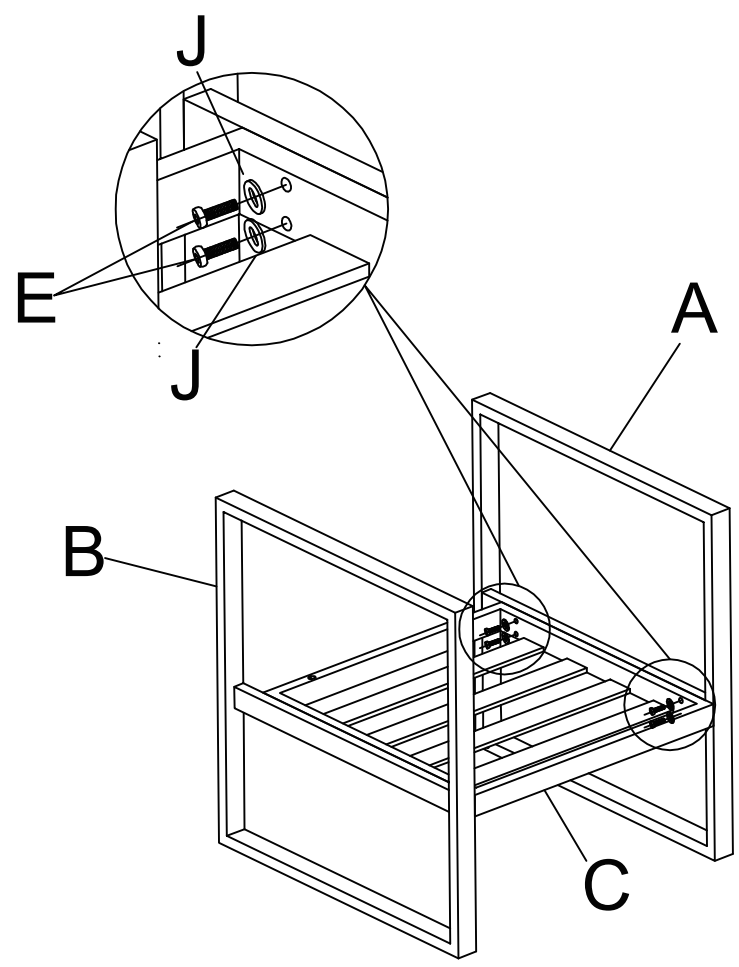
01

E x 8



M6*35

J x 8



x4

02

F x 2



M6*45

G x 2

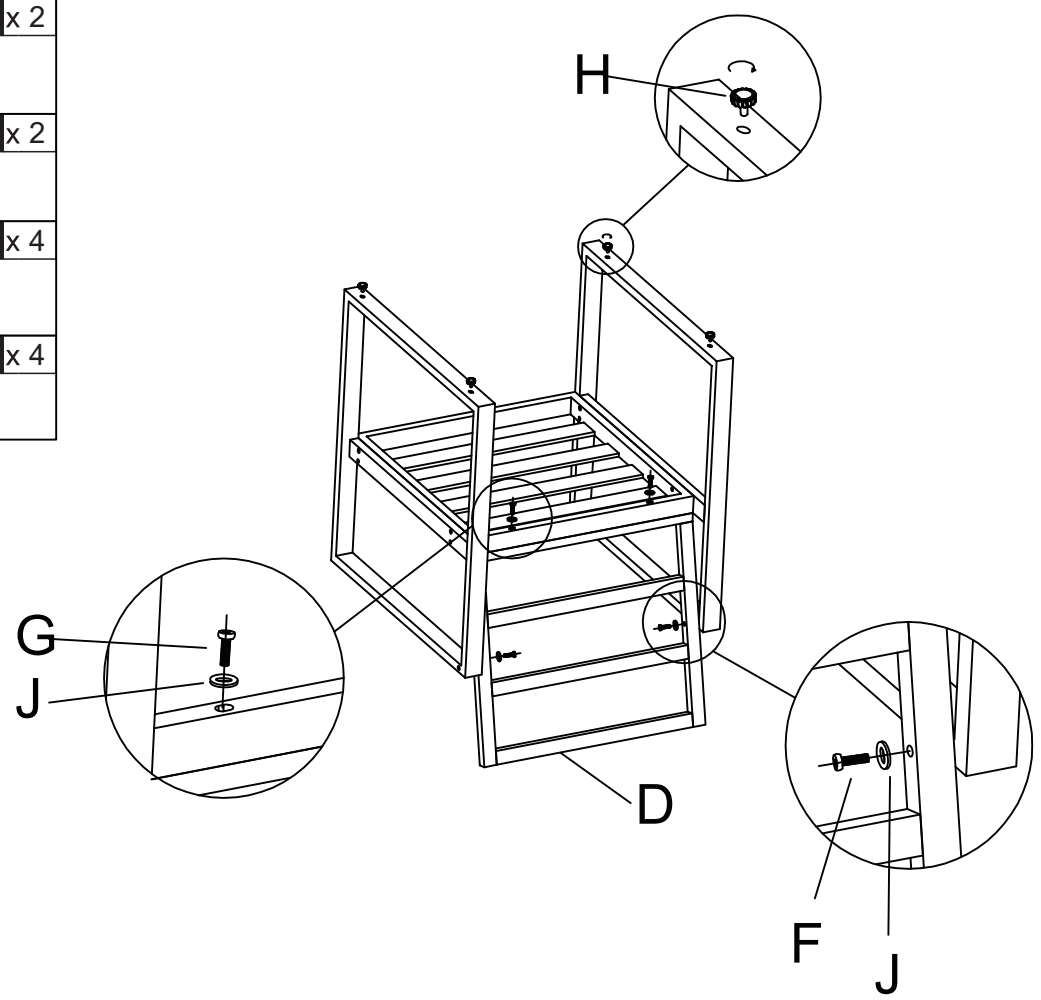


M6*55

J x 4

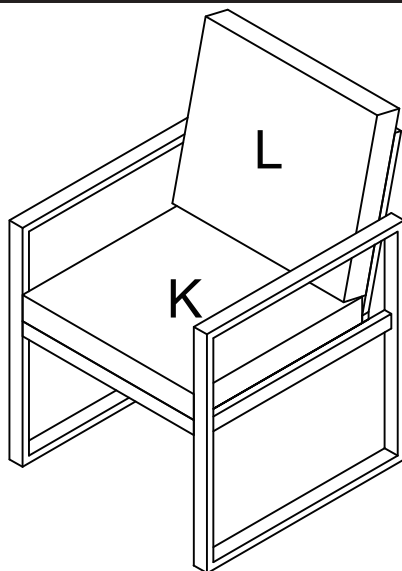


H x 4



x4

03



x4

L1 x 4

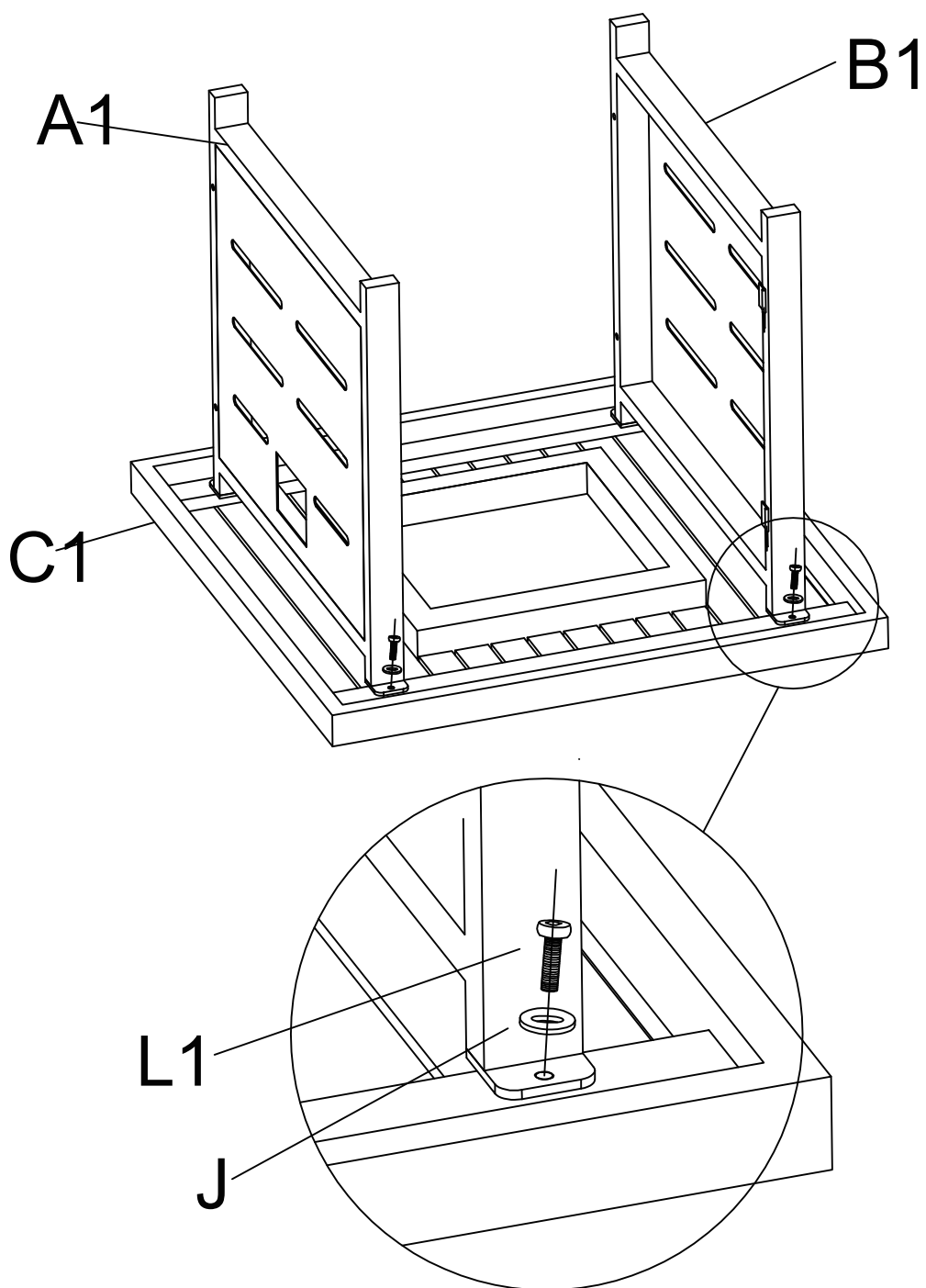


M6*15

J x 4



04





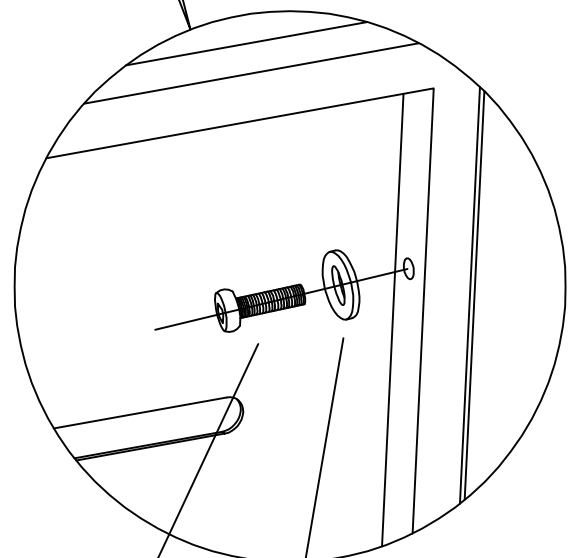
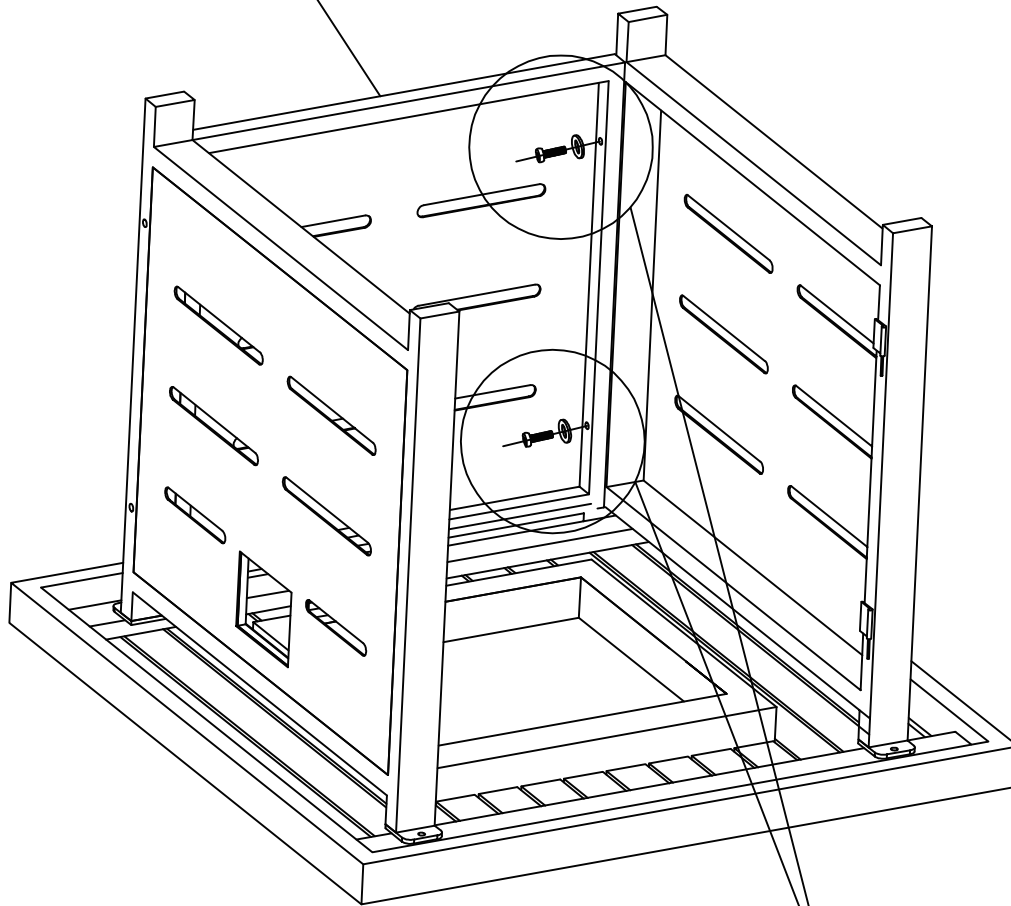
E x 4

M6*35



J x 4

G1



E

J

E x 4

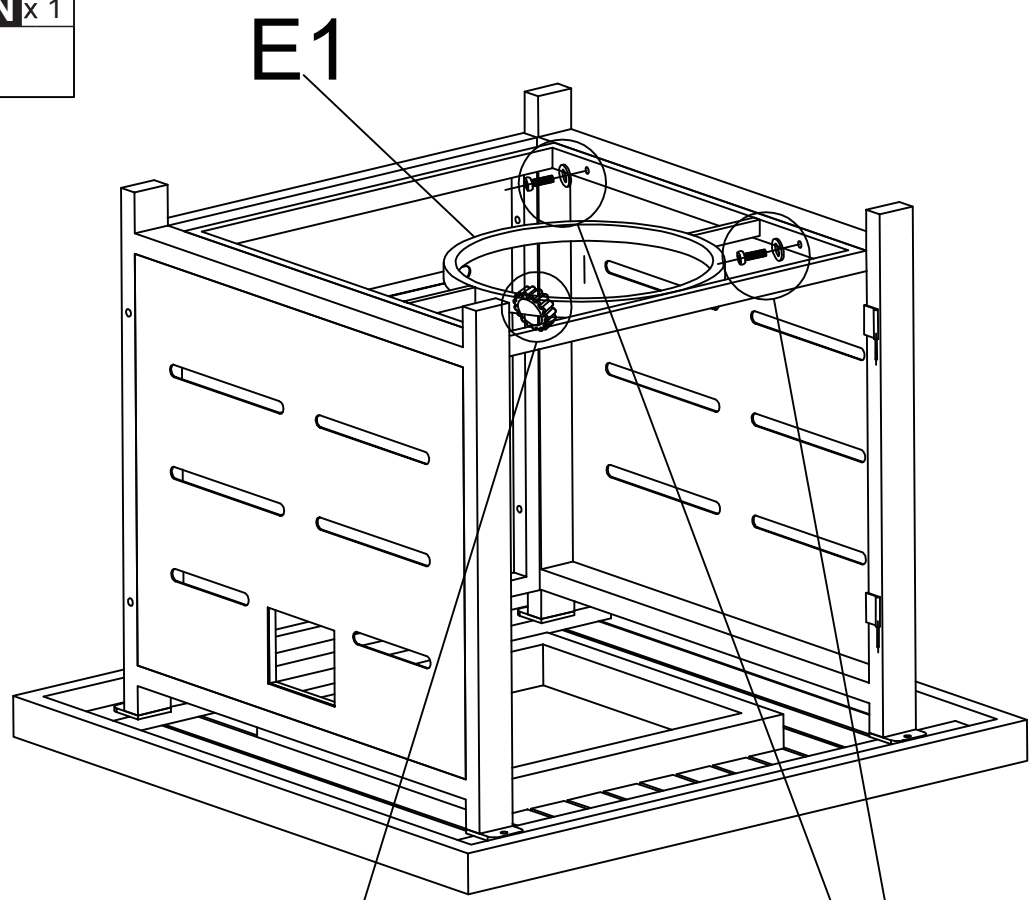


M6*35

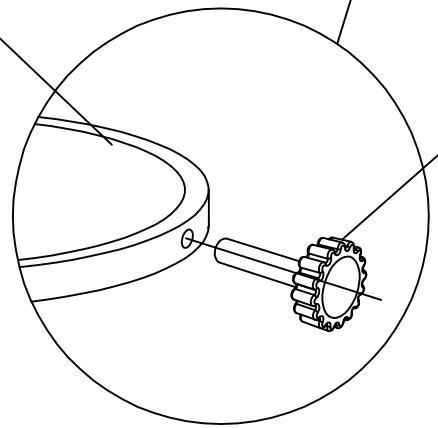
J x 4



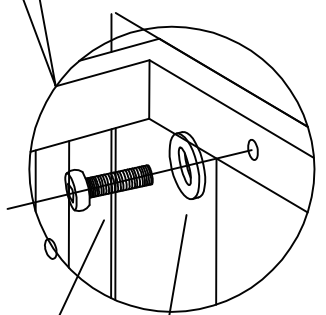
N x 1



E1

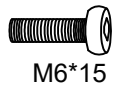


N



E

J

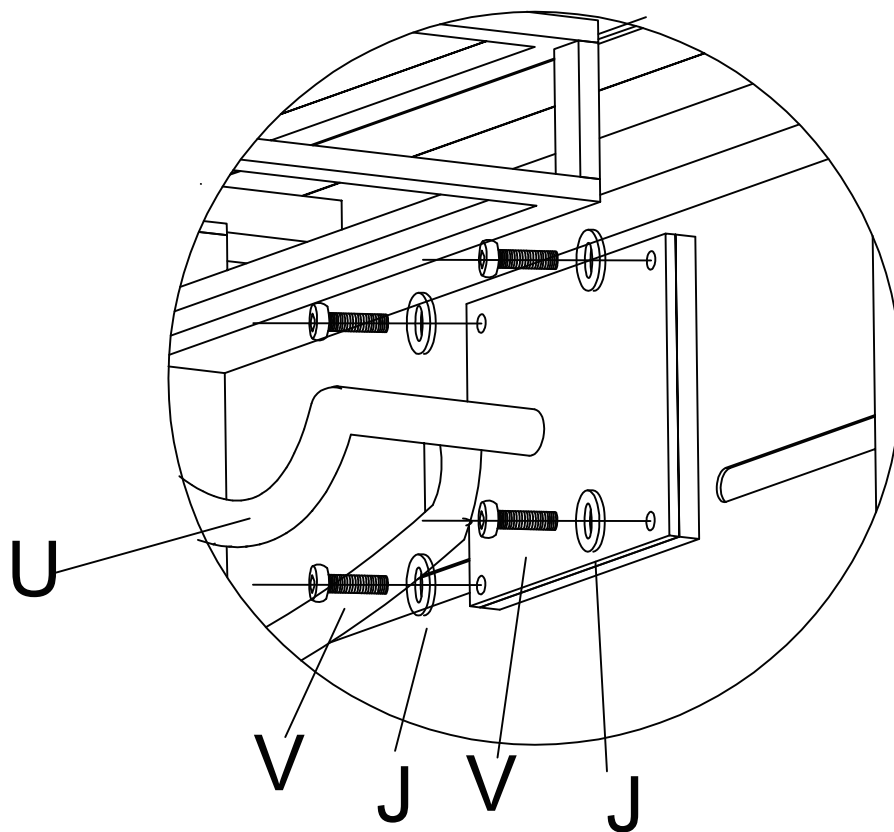
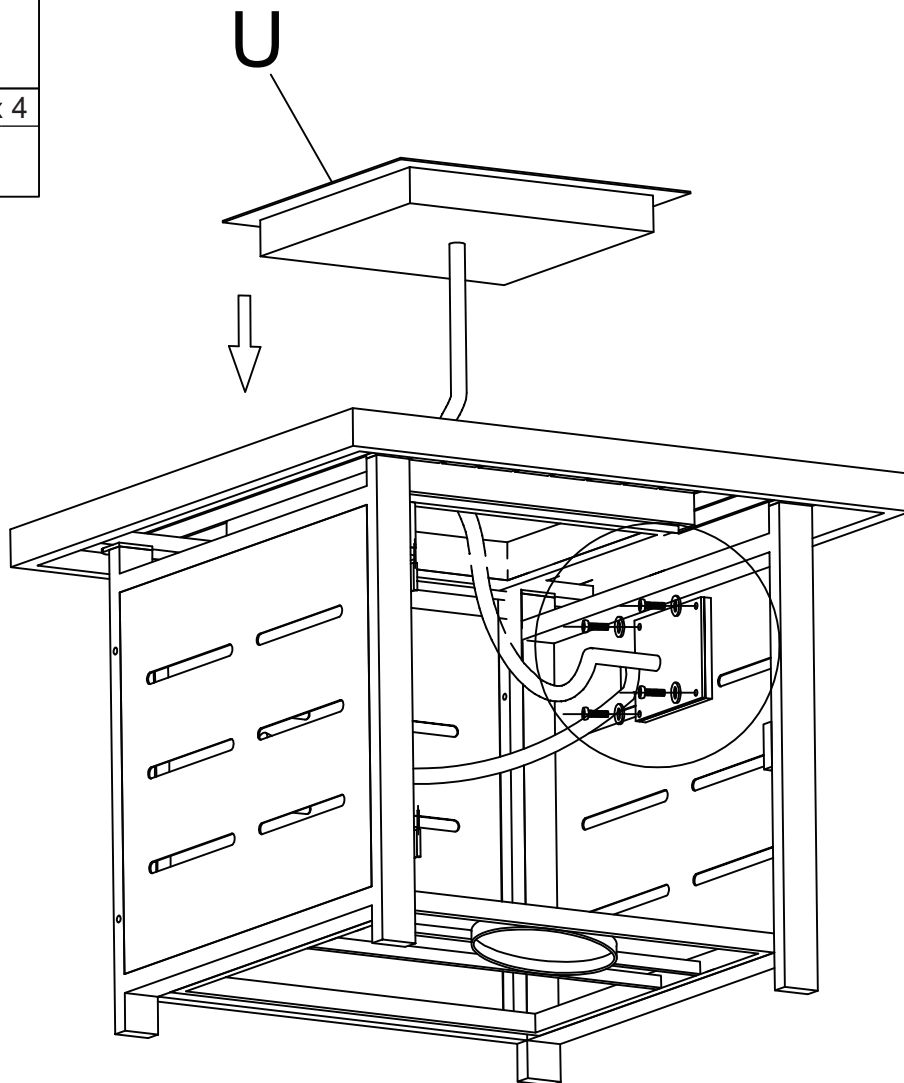


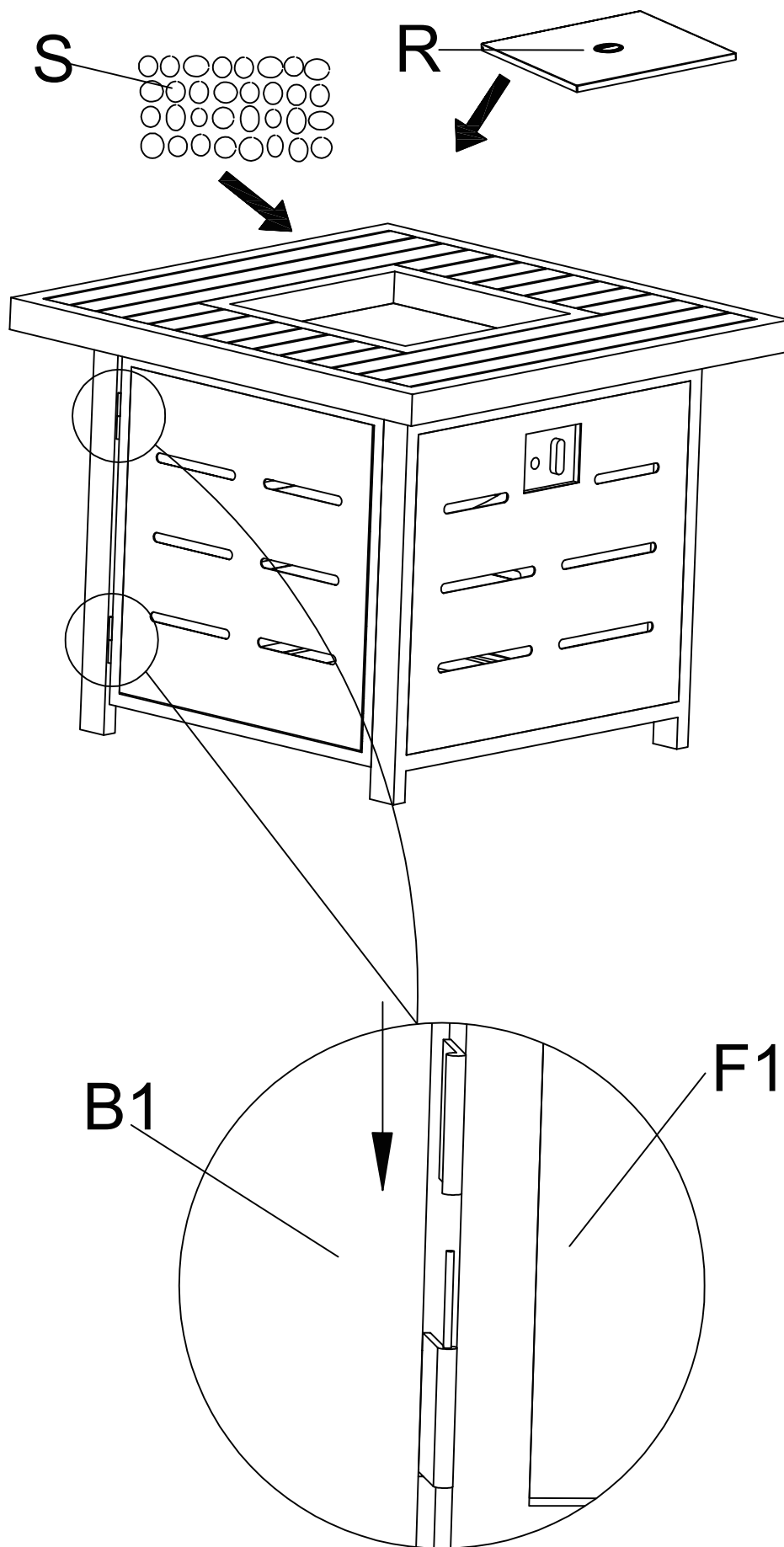
V x 4

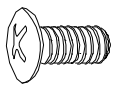
M6*15



J x 4

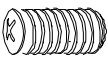






X x 4

M4*12



Y x 16

M8*6



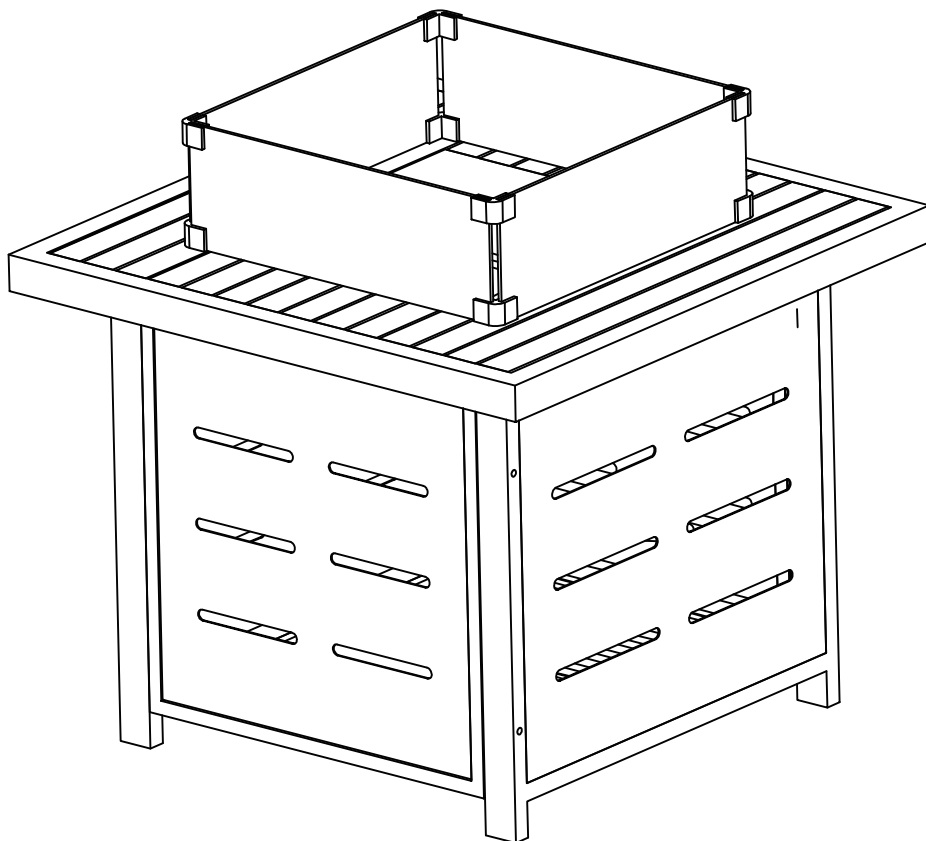
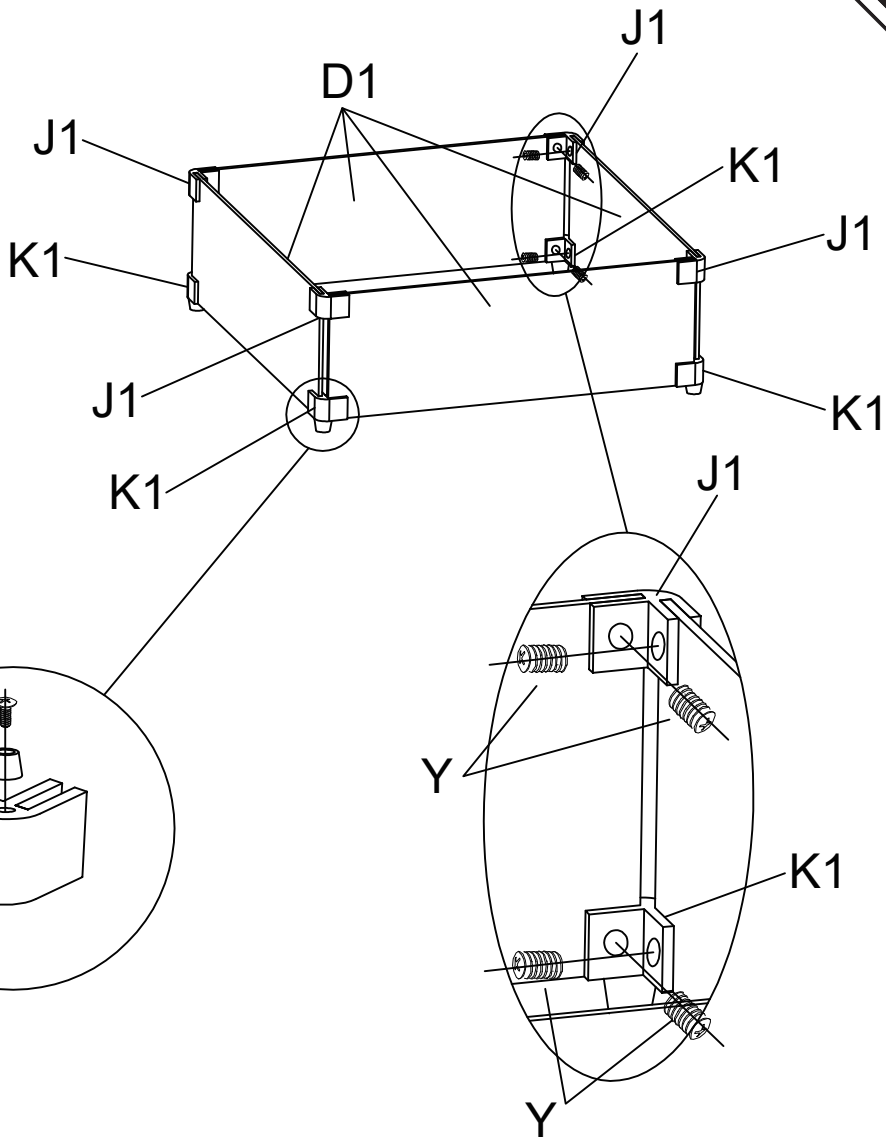
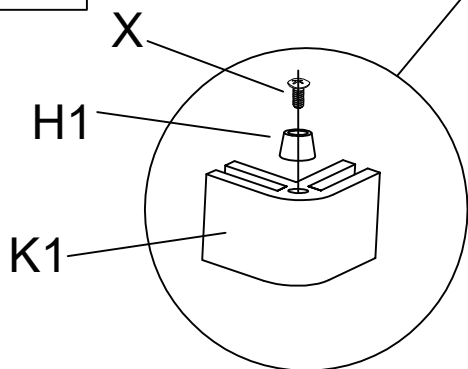
J1 x 4



K1 x 4



H1 x 4



Leakage test

Gas connections on the appliance are leak tested at the factory prior to shipment. Possible mishandling of the appliance during the shipment might contribute to product integrity as a whole. A complete gas leakage test must be performed again at the installation site. Please follow the procedure below for leakage test.

-Make a soap solution of one part liquid detergent and one part water. The soap solution can be applied with spray bottle, brush or rag. Soap bubbles will appear where a leak is present.

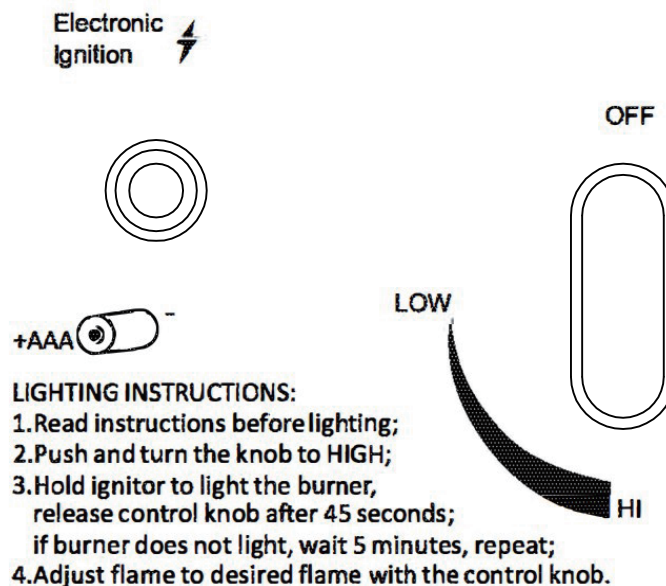
-Make sure the control tap is in the "OFF" position on the control panel.

-Turn on the gas supply and check for bubbles from the hose and connections. Presence of bubbles means that a leak path is present.

-If a leak is present, turn OFF the gas supply immediately, tighten any leaking fitting carefully, turn gas again and recheck.

-Never leak test while smoking.

Lighting Instructions



Storage

Always close the gas valve of the LPG Gas Cylinder, after use or in case of disturbance.

Remove the pressure controller and hose.

Check the tightness of the gas valve and for damage. If you suspect damage, have it changed by your gas dealer.

Never store LPG gas cylinder in a sub-terrain, or at places without adequate air ventilation.

Cleaning and care

Wipe off exterior surfaces with soft cloth or paper towel. Do not clean it after use, make sure the appliance cooled down..

Do not clean the appliance with cleaners that is corrosive.

Remove debris, insect nests from ventilation opening of the LPG gas cylinder enclosed, control compartment, burner and circulation air passageways of the appliance with heavy-duty pipe cleanser or compressed air to keep appliance clean and safe for use.

Do not paint the control panel.

The coating is fragile. Do not knock, hit or drop the appliance.

In a salt –air environment, such as near an ocean, corrosion occurs more quickly than normal. Check frequently for corroded areas and repair them promptly.

The ventilation should be checked regularly to ensure that it is free from obstruction.