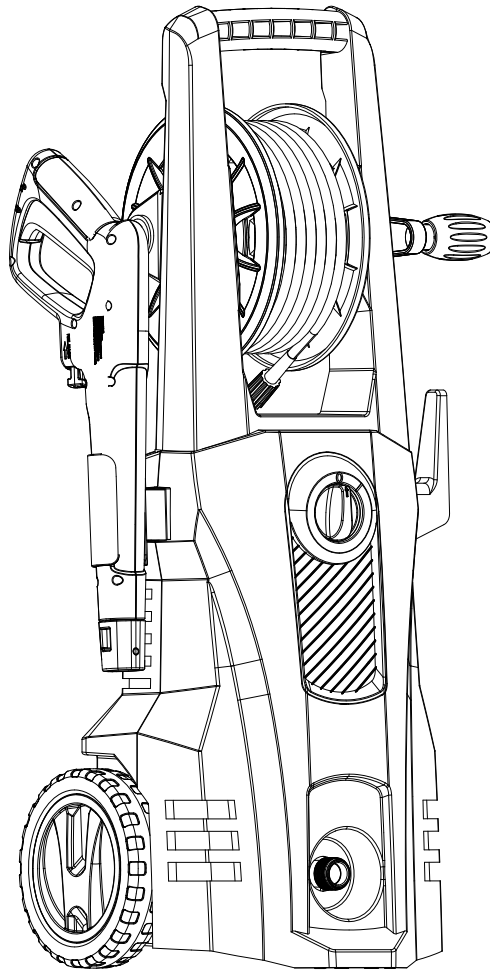




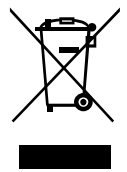
IN221100531V02\_UK

**845-867V70\_845-867V71**



## High Pressure Washer User's Manual

**UK  
CA**



**IMPORTANT, RETAIN FOR FUTURE REFERENCE: READ CAREFULLY**

# User Manual

# IMPORTANT SAFETY INSTRUCTIONS

## SAVE THESE INSTRUCTIONS



Please read and follow all instructions before use. Keep this manual for future reference.

All warnings and notes in this manual ensure the safe use of this product.

## Hazard levels

### **DANGER**

Warning of immediate danger, which can lead to serious injury or death if not avoided.

### **WARNING**

Warning of a potentially dangerous situation, which can lead to injury or death if not avoided.

### **CAUTION**

Warning of a potentially dangerous situation, which can lead to minor injuries if not avoided.

### **ATTENTION**

Warning of a potentially dangerous situation, which can lead to property damage if not avoided.

## Electric components

### **DANGER**

Risk of electric shock.

Never touch the mains plug and the socket with wet hands.

Check the power cord for damage prior to every use. Do not use the machine if the supply cord or parts are damaged, e.g. safety devices, high pressure hoses or trigger gun.

Keep all conducting parts away from water.

The mains plug and the coupling of an extension cable must be watertight and kept away from water. Keep extension cables at least 60mm above the ground – never lay them on the ground.

Always check the power cord or extension cable, ensuring there are no damages. Keep power cords away from heat, oil and sharp edges.

Ensure the appliance is off and unplugged when unattended.

### **WARNING**

Only connect this appliance to an electric supply, which has been installed by an electrician in accordance with IEC 60364.

Only connect this appliance to an alternate current. The voltage must match the plate on the appliance.

For safety reasons, it is recommended to use the appliance via a residual current device (max. 30mA).

An unsuitable electrical extension cable can be hazardous. Only use an electrical extension cable, which has been approved and labeled for this purpose and has an

adequate cable cross-section outdoors: 1 - 10 m:1.5 mm<sup>2</sup>;10 - 30 m:2.5 mm<sup>2</sup>.

Always fully unreel the extension cable from the drum.

An unsuitable electrical extension cable can be hazardous.

## Safe handling

### **DANGER**

Only use this appliance as intended by the manufacturer.

Be cautious of your surroundings when using this appliance, paying attention to other persons in the vicinity.

Before every use, check important components, such as the high-pressure hose, hand spray gun and safety installations for damage. Replace damaged components immediately – do not use the appliance.

Only use this appliance with the cleaning agent supplied or recommended by the manufacturer. Using other cleaning agents or chemicals could damage the appliance.

High-pressure jets can be dangerous if misused. The jet must not be directed at persons, live electrical equipment or the machine itself.

Do not direct the jet against yourself or others to clean clothes or footwear.

Do not use the appliance within range of persons, unless they wear protective clothing.

Wear appropriate personal protection equipment (PPE) while operating the appliance.

### **WARNING**

The appliance must not be operated by children or untrained personnel.

This appliance is not intended for use by persons (including children) with reduced physical, sensory or mental capacities, or lacking experience and knowledge.

Children must not play with this appliance.

Supervise children to prevent them from playing with the appliance.

Ensure the appliance is stable prior to any work on or with the appliance to prevent damage.

The water jet that is emitted from the high-pressure nozzle results in a repulsion power acting on the hand spray gun. Make sure that you have a firm footing and are also holding the hand spray gun and spray lance firmly.

Never leave the appliance unattended when in use.

### **ATTENTION**

If you leave the appliance, ensure it is switched off and unplugged.

Do not operate the appliance at temperatures below 0°C.

## Other risks

### **DANGER**

The appliance may not be operate in explosive atmospheres.

Risk of explosion-Do not spray flammable liquids.

Never draw in fluids containing solvents or undiluted acids and solvents! This includes petrol, paint thinner and heating oil. The spray mist is highly inflammable, explosive and poisonous. Do not use acetone, undiluted acids and solvents, as they corrode the materials used on the appliance.

Never use the product with inflammable or toxic liquids, or liquids with characteristics incompatible with its proper operation.

Keep packaging films away from children, there is a risk of suffocation!

## **WARNING**

According to applicable regulations, the appliance must never be used on the drinking water net without a system separator. Ensure that the connection of your building water installation on which the high pressure cleaner is operated is equipped with a system separator pursuant

Water that has flown through backflow preventers is considered to be non-potable.

High-pressure hoses, fittings and couplings are important for the safety of the appliance. Only use high-pressure hoses, fittings and couplings recommended by the manufacturer.

To ensure applicable safety, use only original spare parts from the manufacturer or approved by the manufacturer.

Switch the product off and disconnect it from the power supply removing the power plug from the socket outlet before assembly, cleaning ,adjustments, maintenance, storage and transportation or converting the product to another function.

## **CAUTION**

Mind the weight of the appliance when selecting the storage location and during transport to prevent accidents or injuries.

Several hours of continuous use of the appliance can lead to numbness in the hands in rare cases.

- Wear gloves.
- Keep hands warm.
- Take breaks at regular intervals. Working with detergent

## **WARNING**

The improper use of detergents can cause severe injuries or oxidation.

Store cleaning agent away from the reach of children.

Discharge residual pressure before disconnecting the hose from the product.

Check before each use , and at regular intervals, that all metal fasteners are tight and the product's components are in good condition; inspect for broken or worn parts.

Be aware of kick-back: Hold With Both Hands.

## **Residual risks**

Even if you are operating this product in accordance with all the safety requirements, potential risks of injury and damage remain. The following dangers can arise in connection with the structure and design of this product:

Health defects resulting from vibration emission if the product is being used over long periods of time or not adequately managed and properly maintained.

Danger of injury and property damage caused by flying objects.

Injuries and damage to property due to broken accessories or the sudden impact of hidden objects during use.

## **Safety Devices**

### **CAUTION**

Safety installations serve the protection of the user and may not be modified or by past.

## **Power switch**

The appliance switch prevents unintentional operation of the appliance.

## Lock trigger gun

This lock locks the lever of the trigger gun and prevents the inadvertent start of the appliance. Overflow valve with.

Water that has flowed through backflow preventers is considered to be non-potable.

## Pressure switch

If the lever on the trigger gun is released the pressure switch turns off the pump, the high pressure jet is stopped. If the lever is pulled the pump is turned on again.

## Motor protection switch

The motor protection switch off the device if the power consumption is high.

## Personal protective equipment

### CAUTION

Wear protective clothing and safety goggles to protect against splash back containing water or dirt.

During the use of high-pressure cleaners aerosols can develop. Inhaling aerosols can cause health damage.

- Depending on the application, completely shielded nozzles(e.g. surface cleaner)that significantly reduce the emission of aqueous aerosols can be used for high-pressure cleaning.
- The use of such shielding is not possible with all applications.

## Symbols on the machine



The high pressure jet must not be directed at persons, animals, live electrical equipment or at the appliance itself.



The appliance must not be directly connected to the public drinking water network.



For protection against injury, wear ear defenders and safety goggles.



Wear safety gloves during use to protect hands.



Wear non-slip footwear that will protect your feet and improve your balance on slippery surfaces.



Sound power level is 86dB(A)

## Proper use

Use this pressure washer for private households only:

If connection is made to a potable water system, the system shall be protected against backflow.

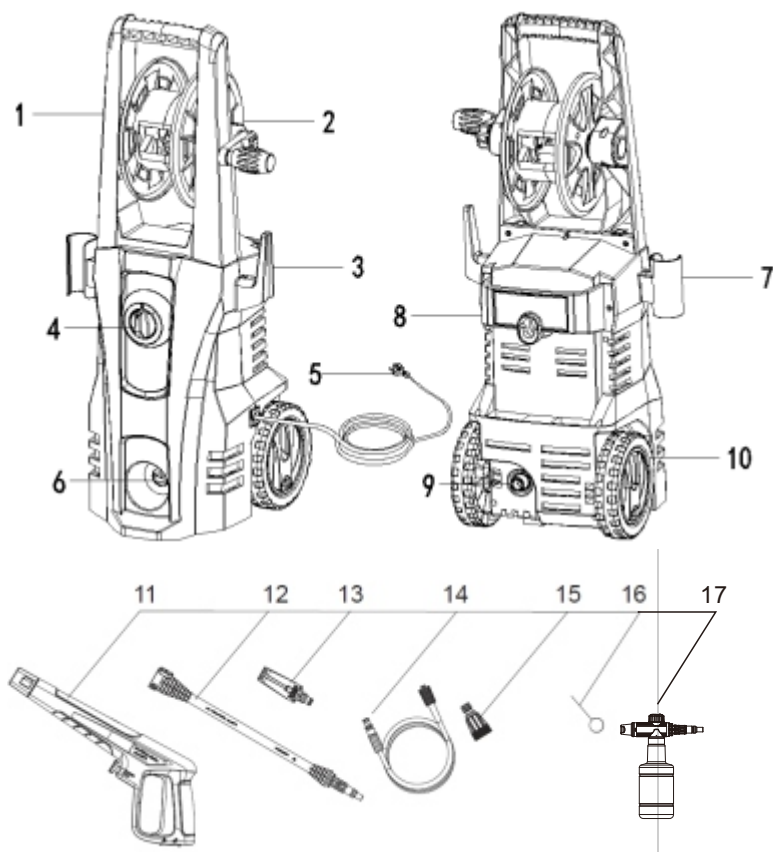
This high pressure cleaner is designated with a rated input current. The intended use of this product covers the cleaning of vehicles, buildings, terraces, facades and garden

equipment using clean water and biodegradable chemical detergents. Likewise the product can be used to clean paving slabs or rain gutters.

This product may not be used to clean clothing, shoes and other textiles. The water jet should not be directed against persons. Animals, any electrical equipment or on the product itself. Do not flush any objects which contain health hazardous materials. The product must not be run with inflammable, explosive and toxic liquids.

For safety reasons it is essential to read the entire instruction manual before first operation and to observe all the instructions there in.

## Description of the Appliance



- 1.Handle
- 2.High-pressure hose reel
- 3.Power cord hook
- 4.Adjust switch 0/1
- 5.Power cord
- 6.Water inlet
- 7.Trigger gun holder
- 8.Spray wand holder
- 9.Water outlet
- 10.Wheel
- 11.Spray handle
- 12.Spray lance
- 13.Nozzle
- 14. High pressure hose
- 15.Water inlet connector
- 16.Nozzle cleaning tool
- 17.Detergent Bottle

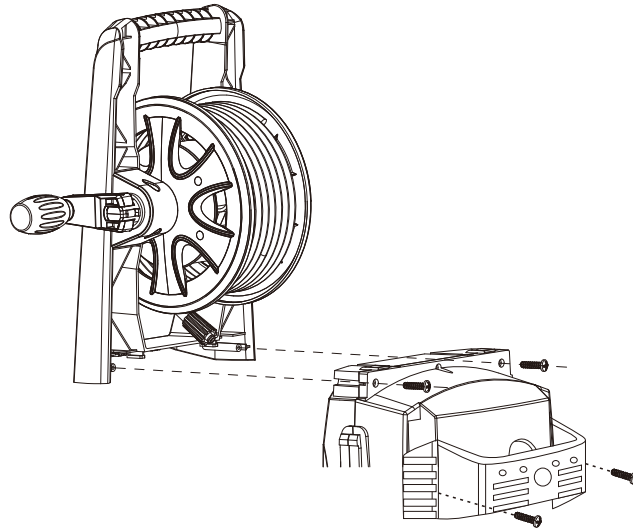
## Technical specifications

Voltage	220V-240V <sup>~</sup>
Frequency	50/60Hz
Watt	1800W
Protection Class	II
Degree of protection	IPX5
Rated pressure	10 MPa
Allowable pressure	15 MPa
Rated flow	6.0 L/min
Max. flow	8.5 L/min

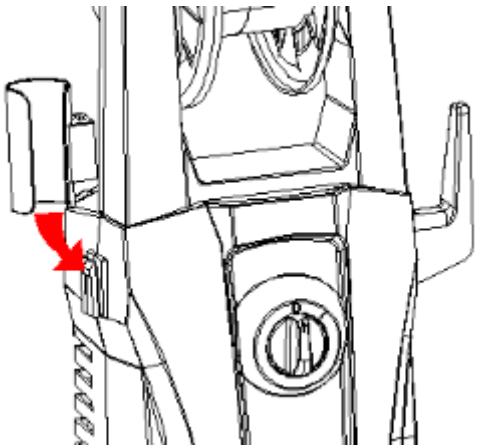
## Assembly

Mount loose parts delivered with appliance prior to start-up

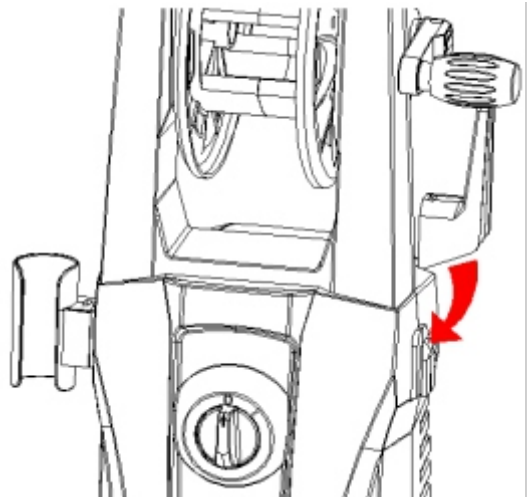
### 1. Install the Hose Reel Handle with four screws.



### 2. Slide the trigger gun holder into the left position of the unit.



### 3. Slide the power cord hook into the right position of the unit.

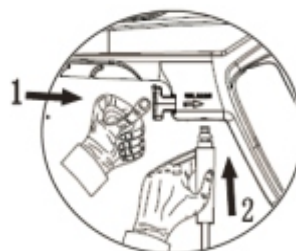
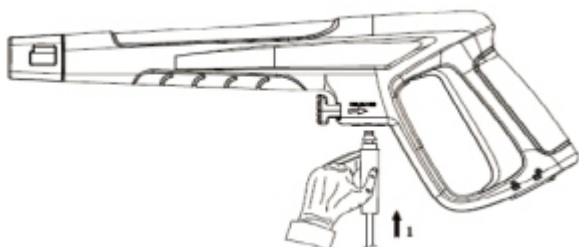


### 4. Install the spray wand

- Fit the spray wand into the gun and rotate until the two parts are completely locked. Insert the desired nozzle in the spray lance until heard a click.



### 5. Slide the power cord hook into the right position of the unit.

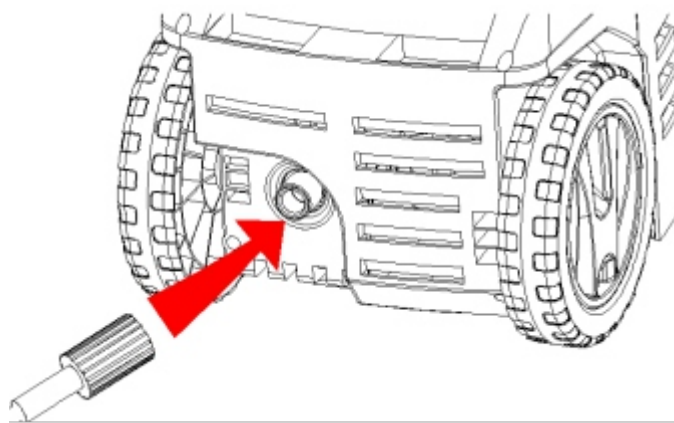


Push button to  
remove the hose



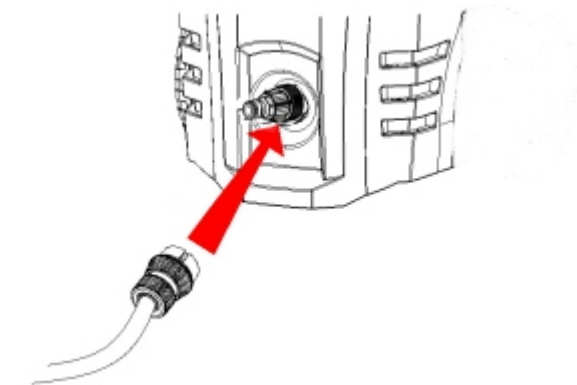
### 6. Connect the high-pressure hose to the water outlet

Connect the other end of the high-pressure hose to the water outlet on the washer and twist the black rotatable end-piece as indicated to secure the connection.



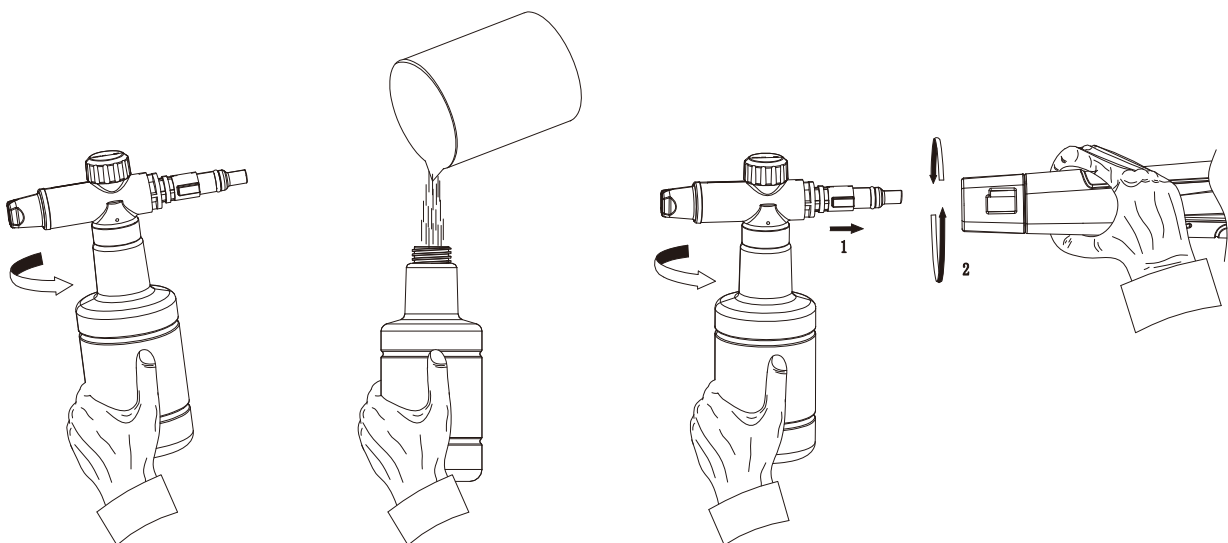
### 7. Connect the garden hose to the water inlet

Connect the garden hose adaptor (female coupler) to the water inlet of the pressure washer (Need tightening), then thread your garden hose (male end) into the garden hose adaptor. Need to plug tightly, hear the click sound, otherwise the product can not normally water.



### 8. TO WASH WITH DETERGENT

Screw out the bottle and fill bottle with detergent. Connect Detergent Bottle to Spray Handle.





## Start up

Park the appliance on an even surface.

Insert the mains plug into the socket.

### Water supply

For connection values, see type plate.

### ATTENTION

Impurities in the water can damage the high-pressure pump and the accessories.

Water supply from mains

Drawing in water from the open reservoirs

This high-pressure cleaner is suited to work with the YILI suction hose with backflow valve to draw in surface water, e.g. from water butts or ponds.

Fill the suction hose with water.

Screw the suction hose into the water connection of the appliance and insert it into the water source (e.g. rainwater drum).

Bleed the device as follows prior to operation:

- Turn on the appliance "0/1"
- Unlock the lever of the trigger gun.
- Push the lever of the trigger gun, the device will switch on.
- Let the device run (max. 2 minutes) until the water exits the trigger gun without bubbles.
- Release the lever of the trigger gun.
- Lock the lever of the trigger gun.

## Operation

### ATTENTION

Dry running of more than 2 minutes leads to damage of the high-pressure pump. If the appliance does not build up pressure within 2 minutes, switch the appliance off and proceed in accordance with the instructions in Chapter "Troubleshooting"

## High pressure operation

### ⚠ CAUTION

Keep a distance of at least 30 cm when using the jet for cleaning painted surfaces to avoid damage.

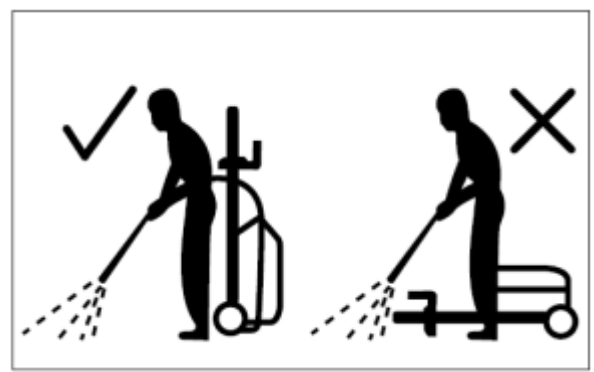
### ⚠ CAUTION

Make sure the on/off switch is set to 'OFF/ON' and insert the plug into a properly installed socket.

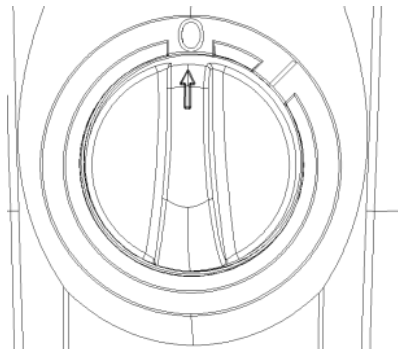
### ATTENTION

- The washer must be used on a secure and stable surface in a standing, upright position

Connect the product to power and water supply as described.



- Open the water supply
- Hold the spray gun with both hands.
- Direct the nozzle of the chosen accessory away from you towards the surface to be cleaned.
- Unlock the trigger and press it until a constant amount of water flows through the nozzle, to allow air trapped in the hose to escape.
- Release the trigger.
- Turn on the switch “0/1”.



- Hold the spray gun with both hands. Direct the water jet to the object to be cleaned and press the trigger.

Release the lever of the trigger gun; the device will switch off again and stop the water jet. High pressure remains in the system.

**WARNING!** Beware of kickback when pressing the trigger!

### Operation with detergent

Detergent can only be added when the device is operated in low pressure mode.

#### **DANGER**

When using detergents, the material data safety sheet issued by the detergent manufacturer must be adhered, especially the instructions regarding personal protective equipment.

Remove the cap of the clean detergent bottle. Gently pull the onboard detergent tank out of its storage position.

Fill the tank with detergent designed specifically for use with pressure washers.

Push the detergent bottle with the opening pointing downwards into the connection for the hose clean detergent.

### Recommended cleaning method

- Spray the detergent sparingly on the dry surface and allow it to react, but not to dry.
- Spray off loosened dirt with the high pressure Met.

### After operation with detergent

- Remove the hose clean detergent bottle from the intake and close it with the lid.
- For storage, put the detergent bottle into the retainer with the cap pointing up.

### Interrupting operation

- Release the lever of the trigger gun.
- Lock the lever of the trigger gun.
- Put the trigger gun with the spray lance into the parking position.
- During longer breaks (more than 5 minutes), also turn the appliance off using the “0/1” switch.

## Finish operation

- Release the lever of the trigger gun.
- Turn off the appliance "0/1".
- Disconnect the mains plug from the socket.
- Only separate the high-pressure hose from the trigger gun or the device when there is no pressure in the system.

### TURN OFF TAP

- Pressure the lever of the trigger gun to release any remaining pressure in the system.
- Release the lever of the trigger gun.
- Lock the lever of the trigger gun.

### ATTENTION

- When disconnecting the supply or high pressure hose, warm water may leak from the connection after operation.
- Detach the appliance from the water supply.

## Transportation

### CAUTION

Risk of personal injury or damage!

Mind the weight of the appliance during transport.

## When transporting by hand

- Switch the product off and disconnect it from the water and power supply.
- Pull out the transport handle until it audibly snaps into place. Attach transportation guards, if applicable.
- Pull the appliance by its transport handle.

## When transporting in vehicles

- Prior to horizontal transport: close the cap of clean detergent bottle.
- Tilt the product towards you until it balances on the wheels. Then move it by its transportation handle.
- Protect the product from any heavy impact or strong vibrations which may occur during transportation in vehicles.
- Secure the appliance against shifting and tipping over.

## Storage

### CAUTION

Risk of personal injury or damage!

Consider the weight of the appliance when storing it.

## Storing the appliance

- Park the machine on an even surface.
- Detach spray lance from the trigger gun.
- Push the disconnect button on the trigger gun and pull the high-pressure hose out of the trigger gun.
- Place the trigger gun into the storage for the trigger gun.

- Put both spray lances into the storage for the spray lance.
- Dirt grinder spray lance: Nozzle towards the bottom.
- Coil the high-pressure hose and hang it over the hose storage.
- Store the mains connection in the accessory compartment.
- Prior to extended storage periods, as during the winter, also observe the instructions in the care section.
- Always store the pressure cleaner, parts, and accessories in a place that is inaccessible to children. The ideal storage temperature is between 10 °C and 30 °C. Store the power washer indoors to prevent the water in the unit from expanding under freezing conditions.
- We recommend using the original package for storage or covering the product with a suitable cloth or enclosure to protect it against dust.

## Frost protection

### ATTENTION

Appliance and accessories that are not completely drained can be destroyed by frost. Completely drain appliance and accessories and protect them against frost. To avoid damage:

- Detach the appliance from the water supply.
- Detach spray lance from the trigger gun.
- Turn on the appliance "ON/OFF".
- Push the lever of the trigger gun until no more water is escaping .
- Release the lever of the trigger gun.
- Lock the lever of the trigger gun.
- Turn off the appliance "0/1".
- Store the appliance and the entire accessories in a frost free room.

## Care and maintenance

### DANGER

Risk of electric shock

Prior to all work on the appliance, switch off the appliance and pull the power plug.

### High-pressure hose

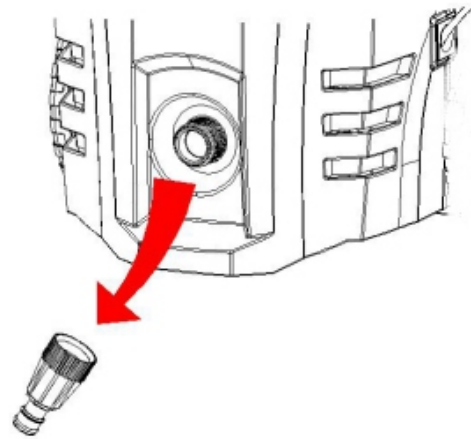
The high pressure hose is specially constructed with reinforced walls it can be easily damaged and should be stored carefully.

- Do not kink.
- Do not drive vehicles over the hose.
- Do not expose the hose to sharp edges or corners.

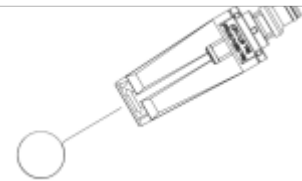
## Clean the sieve in the water connection

Clean the sieve in the water connection regularly.

Remove coupling from the water connection, and rinse with warm water to prevent any foreign matter from clogging the pump.



Clean the nozzle with the needle clean-out tool provided. Remove the spray wand from the gun. Remove any dirt from the nozzle hole and rinse.



### ATTENTION

- The sieve must not be damaged.
- Pull the sieve out using flat pliers.
- Clean the sieve under running water.
- Reinsert the sieve into the water connection.

## Troubleshooting

**DANGER** Risk of electric shock.

Turn off the appliance and remove the main plug prior to performing any care and maintenance work. Repair work and work on the electrical components may not only be performed by an authorized customer service. You can rectify minor faults yourself with the help of the following overview. If in doubt, please consult the authorized customer service.

Symptom	Cause	Recommended action
Machine refuses to start	Machine not plugged in Defective socket Fuse has blown Defective extension cord	Plug in machine Try another socket. Replace fuse. Switch off other machines. Try without the extension cord.
Fluctuating pressure	Pump sucking air Valves dirty, worn out or stuck Pump seals worn out	Check that hoses and connections are airtight. Clean and replace or refer to local distributor Clean and replace or refer to local distributor

Machine stops	Incorrect mains voltage Thermal sensor activated Nozzle partially blocked	Check that the mains voltage corresponds to specification on the model tag. Leave the washer for 5 minutes to cool down. Clean the nozzle
Machine pulsating	Air in inlet hose Inadequate supply of mains water Nozzle partially blocked Water filter blocked Hose kinked	Allow machine to run with open trigger until regular working pressure resumes. Check that the water supply corresponds to specifications required NB! Avoid using long, thin hoses (min. 1/2"). Clean the nozzle /Clean the filter Straighten out hose.
Machine starts, but no water comes out.	Pump/hoses or accessory frozen No water supply Water filter blocked /Nozzle blocked	Wait for pump/hoses or accessory to thaw. Connect inlet water. Clean the filter /Clean the nozzle

## Accessories

A choice of accessories is supplied in the scope of the delivery of this product. Please check the technical specification of any accessories that you purchase to ensure they are compatible with this product.

If you have any questions, please contact our customer care center.

Our contact details are below:



0044-800-240-4004



enquiries@mhstar.co.uk

IMPORTER ADDRESS:

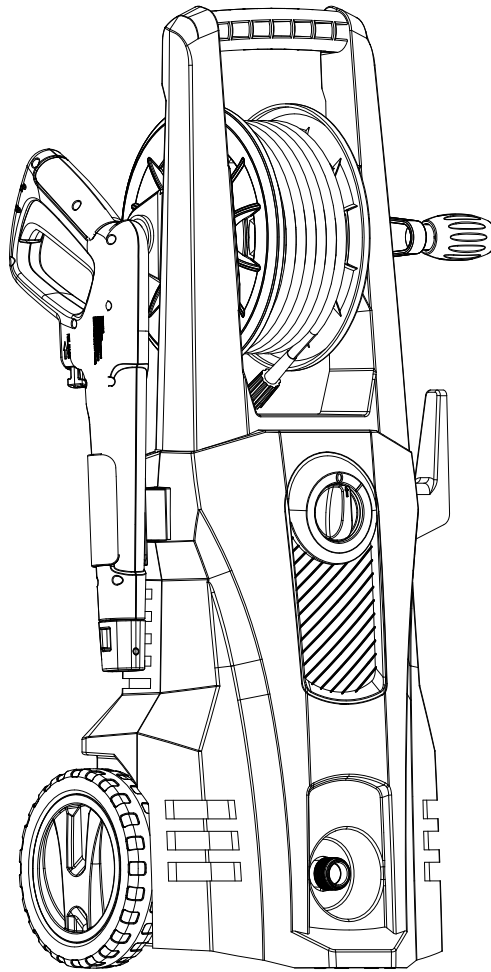
MH STAR UK LTD

Unit 27, Perivale Park,

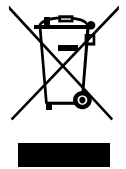
Horsenden lane South

Perivale, UB6 7RH

MADE IN CHINA



## Limpiadora de alta presión

**UK  
CA****CE**

**IMPORTANTE, CONSERVAR PARA FUTURAS CONSULTAS: LEER  
DETENIDAMENTE.**

# Manual de usuario



# INSTRUCCIONES DE SEGURIDAD IMPORTANTES

## GUARDE LAS INSTRUCCIONES



Lea y siga estas instrucciones de seguridad antes de operar su dispositivo por primera vez y guárdelas para uso futuro o propietarios posteriores.

Además de las notas contenidas en este documento, se deben observar las disposiciones generales de seguridad y las normas para la prevención de accidentes.

Las advertencias y notas adjuntas al dispositivo brindan información importante para una operación segura.

## Niveles de peligro

### PELIGRO

Indicación de peligro inmediato, si no se evita, que provocará lesiones graves o la muerte.

### ADVERTENCIA

Indicación de una situación potencialmente peligrosa que, si no se evita, podría provocar lesiones graves o la muerte.

### CUIDADO

Indicación de una situación potencialmente peligrosa que, si no se evita, podría provocar lesiones leves.

### ATENCIÓN

Indicación de una situación potencialmente peligrosa que podría provocar daños materiales.

## Composants électriques

### PELIGRO

Riesgo de shock eléctrico.

Nunca toque el enchufe y la toma de corriente con las manos mojadas.

Compruebe el cable de alimentación y el enchufe antes de cada uso. No utilice la máquina si el cable de alimentación o partes importantes de la máquina están dañadas, por ejemplo, dispositivos de seguridad, mangueras de alta presión o pistola de chorro. Todas las partes activas en el área de trabajo deben estar protegidas contra el chorro de agua.

El enchufe de red y el acoplamiento del cable de extensión nunca deben dejarse en el agua. Además, el acoplamiento nunca debe descansar en el suelo. Se recomienda utilizar bobinas de cable que aseguren que las tomas estén al menos a 60 mm del suelo.

Asegúrese de que el cable de alimentación o el cable de extensión no se dañen al ser atropellados, pellizcados, arrastrados o similares. Proteja los cables de alimentación del calor, el aceite y los bordes afilados.

Apague siempre el interruptor de desconexión de la red cuando deje el dispositivo desatendido.

### ADVERTENCIA

El dispositivo sólo se puede conectar a un fuente de alimentación que ha sido instalada por un electricista de acuerdo con IEC 60364.

El dispositivo solo se puede conectar a corriente alterna. La tensión debe corresponder a la placa de características del dispositivo.

Por razones de seguridad, recomendamos que el dispositivo se utilice únicamente a través de un dispositivo de corriente residual (máx. 30 mA).

Un cable de extensión inadecuado puede ser peligroso. Utilice únicamente un cable de extensión eléctrica que haya sido aprobado y etiquetado para este propósito y que tenga una sección de cable exterior adecuada: 1 - 10m: 1,5 mm<sup>2</sup>; 10 - 30m: 2,5 mm<sup>2</sup>

Desenrolle siempre completamente el cable de extensión del tambor del cable.

Un cable de extensión eléctrico incorrecto puede ser peligroso.

## Manejo seguro

### PELIGRO

El usuario debe utilizar el dispositivo según lo previsto. La persona debe tener en cuenta las condiciones locales y debe prestar atención a otras personas en las inmediaciones cuando trabaje con el dispositivo.

Antes de cada operación, compruebe los componentes importantes, como la manguera de alta presión, la pistola rociadora manual y los accesorios de seguridad, en busca de daños. Reemplace inmediatamente los componentes dañados. No utilice el dispositivo con componentes dañados.

El aparato está diseñado para ser utilizado con el agente de limpieza suministrado o recomendado por el fabricante. El uso de otros agentes de limpieza o productos químicos puede afectar negativamente a la seguridad del aparato.

Los chorros de alta presión pueden ser peligrosos si se someten a un mal uso. El chorro no debe dirigirse a personas, equipos eléctricos activos o la propia máquina.

No dirija el chorro hacia usted mismo o hacia otras personas para limpiar ropa o zapatos.

No utilice el dispositivo al alcance de las personas a menos que lleven ropa protectora.

Use equipo de protección personal (EPI) apropiado cuando opere el dispositivo.

### ADVERTENCIA

El dispositivo no debe ser operado por niños o personal no capacitado.

Este aparato no está diseñado para ser utilizado por personas (incluidos niños) con capacidades físicas, sensoriales o mentales reducidas, o falta de experiencia y conocimiento.

Los niños no deben jugar con este aparato.

Supervise a los niños para evitar que jueguen con el aparato.

Instale el dispositivo antes de cualquier trabajo en el dispositivo o con el dispositivo para evitar daños accidentales.

El chorro de agua que sale de la boquilla de alta presión genera un poder de repulsión que actúa sobre la pistola de pulverización manual. Asegúrese de tener una base firme y también sujete firmemente la pistola pulverizadora manual y la lanza pulverizadora.

Nunca deje el aparato desatendido mientras esté en funcionamiento.

### ATENCIÓN

En caso de pausas prolongadas, apague el aparato con el interruptor principal o desenchúfelo de la red eléctrica.

No utilice el aparato a temperaturas inferiores a 0°C.

## Otros riesgos

### PELIGRO

El aparato no puede funcionar en atmósferas explosivas.

Peligro de explosión - No pulverizar líquidos inflamables.

¡Nunca ingiera líquidos que contengan solventes o ácidos y solventes sin diluir! Esto incluye gasolina, diluyente y aceite de calefacción. La neblina de rocío es altamente inflamable, explosiva y venenosa. No use acetona,

ácidos y disolventes sin diluir, ya que corroen los materiales utilizados en el dispositivo.

Nunca utilice el producto con líquidos inflamables, tóxicos o con características incompatibles con su correcto funcionamiento.

Mantenga el plástico y los envases fuera del alcance de los niños, ¡peligro de asfixia!

### ADVERTENCIA

De acuerdo con la normativa aplicable, el dispositivo nunca debe utilizarse en la red de agua potable sin un separador del sistema. Asegúrese de que la conexión de la instalación de agua de su edificio en la que se utiliza el limpiador de alta presión esté equipada con un separador de sistema compatible.

El agua que ha pasado por no retornos se considera no potable.

Las mangueras de alta presión, los accesorios y los acoplamientos son importantes para la seguridad del aparato. Utilice únicamente mangueras,

accesorios y acoplamientos de alta presión recomendados por el fabricante.

Para garantizar la seguridad aplicable, utilice únicamente repuestos originales del fabricante o aprobados por el fabricante.

Apague el producto y desconéctelo de la fuente de alimentación quitando el enchufe de la toma de corriente antes del montaje, limpieza, ajustes, mantenimiento, almacenamiento y transporte o conversión del producto a otra función.

### CUIDADO

Preste atención al peso del dispositivo al seleccionar el lugar de almacenamiento y durante el transporte para evitar accidentes o lesiones. Varias horas de uso continuo del dispositivo pueden provocar entumecimiento de la mano en casos raros.

- Use guantes.
- Mantenga sus manos calientes.
- Tome descansos y descansos regulares.

### ADVERTENCIA

El uso inadecuado de los detergentes puede causar lesiones graves u oxidación.

Guarde los productos de limpieza fuera del alcance de los niños.

Descargue la presión residual antes de desconectar la manguera del producto.

Compruebe antes de cada uso, y a intervalos regulares, que todas las fijaciones metálicas están apretadas y que los componentes del producto están en buen estado; inspeccione si hay piezas rotas o desgastadas.

Tenga en cuenta el retroceso: sujete con ambas manos.

## Riesgos residuales

Incluso si usted está operando este producto de acuerdo con todos los requisitos de seguridad, siguen existiendo riesgos potenciales de lesiones y daños. Los siguientes peligros pueden surgir en relación con la estructura y el diseño de este producto:

Defectos de salud derivados de la emisión de vibraciones si el producto se utiliza durante

largos periodos de tiempo o no se gestiona y mantiene adecuadamente.

Peligro de lesiones y daños materiales por objetos voladores.

Lesiones y daños materiales debidos a la rotura de accesorios o al impacto brusco de objetos ocultos durante el uso.

## Dispositivos de seguridad

### CUIDADO

Las instalaciones de seguridad están al servicio de la protección del usuario y no pueden ser modificadas ni transmitidas.

## Interruptor de alimentación

El interruptor del dispositivo evita el funcionamiento involuntario del mismo.

## Pistola de disparo con bloqueo

Este bloqueo bloquea la palanca de la pistola de disparo y evita que el aparato se ponga en marcha de forma involuntaria.

El agua que ha pasado por los desconectores se considera no potable.

## Interruptor de presión

Si se suelta la palanca de la pistola de disparo, el presostato desconecta la bomba y el chorro de alta presión se detiene. Si se tira de la palanca, la bomba se conecta de nuevo.

## Interruptor de protección del motor

La protección del motor desconecta el aparato si el consumo de energía es elevado.

## Equipo de protección personal

### CUIDADO

Utilizar ropa de protección y gafas de seguridad para protegerse de las salpicaduras que contengan agua o suciedad.

Pueden formarse aerosoles cuando se utilizan limpiadores de alta presión. La inhalación de aerosoles puede causar daños a la salud.

-Según la aplicación, se pueden utilizar boquillas completamente protegidas (por ejemplo, limpiadores de superficie) que reducen significativamente la emisión de aerosoles acuosos para la limpieza a alta presión.

-El uso de dicho blindaje no es posible con todas las aplicaciones. Símbolos de la máquina



El chorro de alta presión no debe dirigirse a personas, animales, equipamiento eléctrico bajo tensión ni al propio aparato.



El aparato no debe conectarse directamente a la red pública de agua potable.



Para protegerse contra lesiones, use protectores para los oídos y gafas de protección.



Use guantes de seguridad durante el uso para proteger sus manos.



Use calzado antideslizante que protegerá sus pies y mejorará su equilibrio en superficies resbaladizas.



El nivel de potencia sonora es 86dB(A).

## Uso correcto

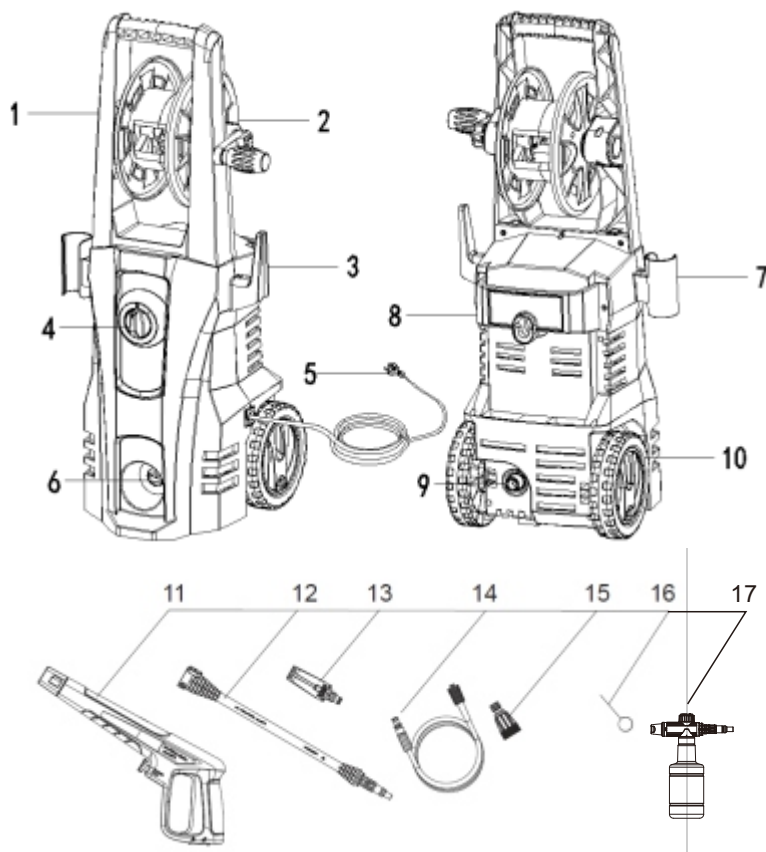
Utilice esta limpiadora a presión únicamente para casas particulares y uso doméstico.

Si se conecta a un sistema de agua potable, el sistema debe protegerse contra el reflujo. Este limpiador de alta presión está diseñado con una corriente de entrada nominal. El uso previsto de este producto incluye la limpieza de vehículos, edificios, terrazas, fachadas y equipamientos de jardín utilizando agua limpia y detergentes químicos biodegradables. Asimismo, el producto se puede utilizar para la limpieza de losas de pavimento o canaletas de lluvia.

Este producto no se puede utilizar para limpiar ropa, zapatos y otros textiles. El chorro de agua no debe dirigirse a personas, animales, ningún equipo eléctrico ni al propio producto. No descargue ningún objeto que contenga materiales peligrosos para la salud. El producto no debe utilizarse con líquidos inflamables, explosivos y tóxicos.

Por motivos de seguridad, es imprescindible leer todo el manual de instrucciones antes de la primera operación y observe todas las instrucciones contenidas en el mismo.

## Descripción del aparato



1. Manipulación
2. Carrete de manguera de alta presión
3. Gancho para el cable de alimentación
4. Ajustar el interruptor 0/1
5. Cable de alimentación
6. Entrada de agua
7. Soporte de la pistola
8. Soporte para varilla pulverizadora
9. Salida de agua
10. Rueda
11. Mango de pulverización
12. Lanza de pulverización
13. Boquilla
14. Manguera de alta presión
15. Conector de entrada de agua
16. Herramienta de limpieza de boquillas
17. Botella de detergente

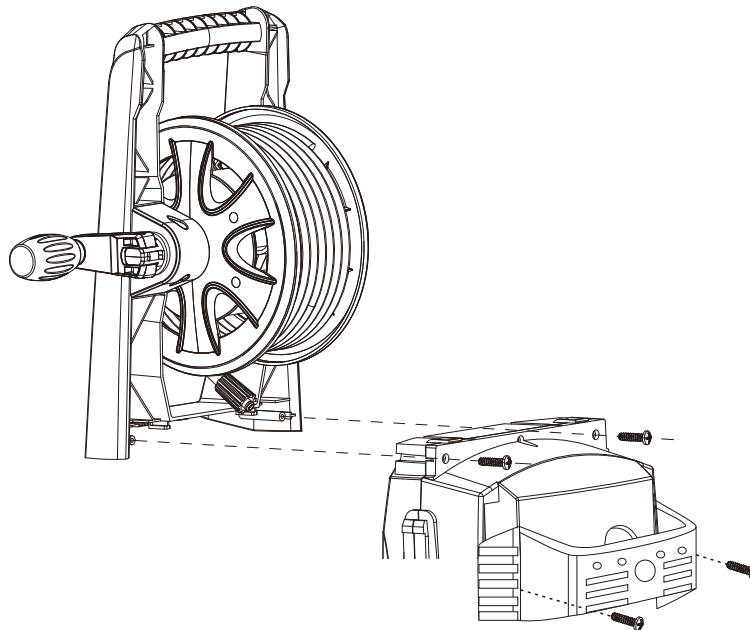
## Especificaciones técnicas

Voltaje	220V-240V~
Frecuencia	50/60Hz
Potencia	1800W
Clase de protección	II
Grau de protección	IPX5
Presión nominal	100bar
Presión permitida	150bar
Caudal nominal	6,0L/min
Flujo máximo	8,5 L/min

## Montaje

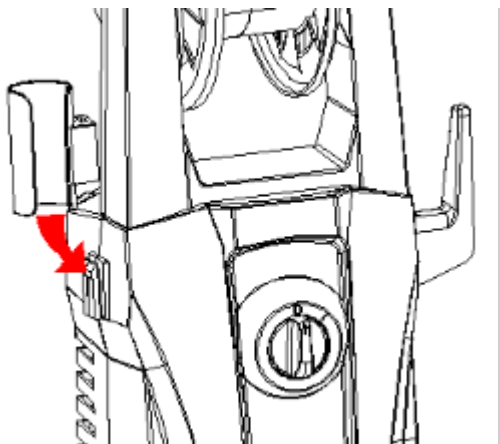
Reúna las piezas sueltas entregadas con el dispositivo antes de la puesta en marcha

### 1. Instale el mango del carrete de manguera con cuatro tornillos

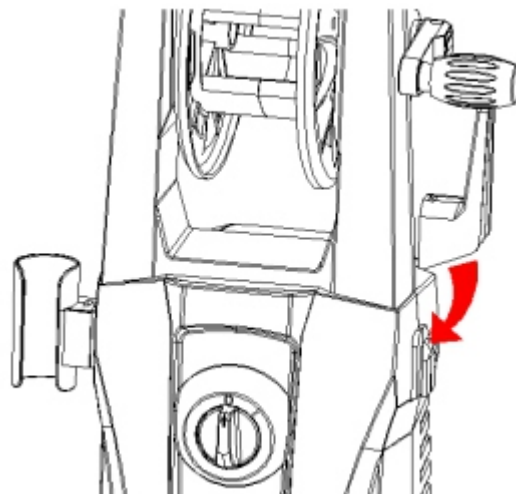




**2. Deslice el soporte de la pistola de disparo a la posición de accionamiento izquierda.**



**3. Deslice el gancho del cable de alimentación hacia la posición derecha de la unidad.**



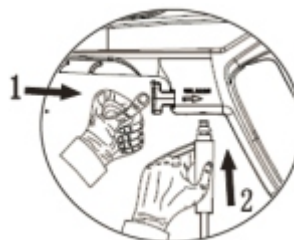
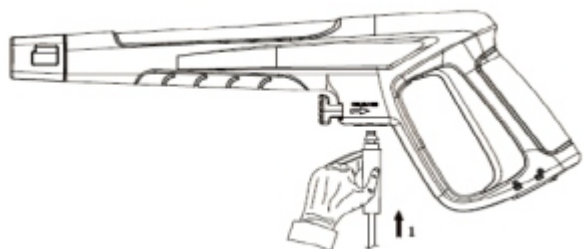
#### **4. Instalación de la varilla pulverizadora**

- Coloque la varilla de pulverización en la pistola y gírela hasta que las dos partes queden completamente unidas.

Introduzca la boquilla deseada en la lanza de pulverización hasta que oiga un clic.



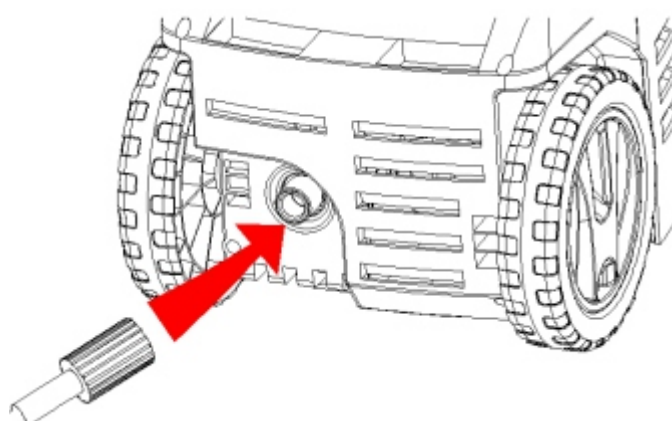
#### **5. Conectar la manguera de alta presión a la pistola de disparo**



Pulse el botón para quitar la manguera

#### **6. Conectar la manguera de alta presión a la salida de agua**

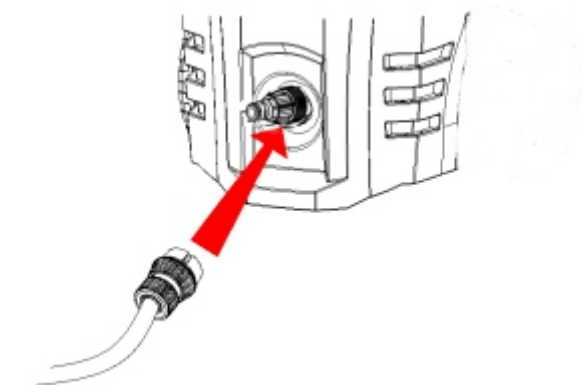
Conecte el otro extremo de la manguera de alta presión a la salida de agua de la lavadora y gire la pieza final giratoria negra como se muestra para fijar la conexión.





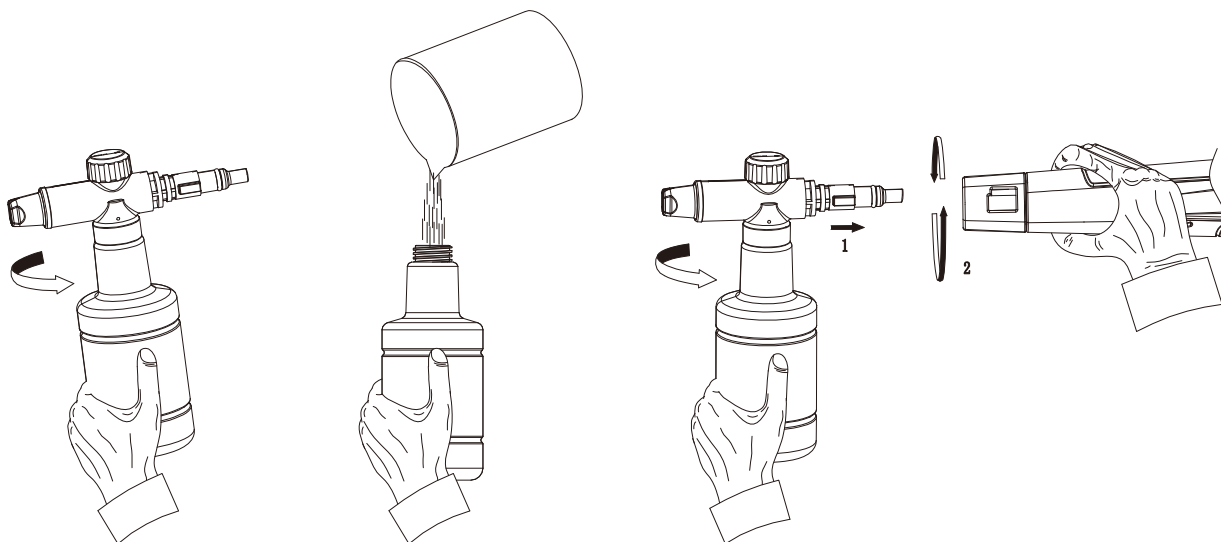
## 7. Conectar la manguera de jardín a la entrada de agua

Conecte el adaptador de la manguera de jardín (acoplador hembra) a la entrada de agua del limpiador a presión (debe apretarlo), luego atornille la manguera de jardín (extremo macho) en el adaptador de la manguera de jardín. Se necesita apretarla firmemente, se escucha el sonido de clic; de lo contrario, el producto no puede regar de manera normal.



## 8. LAVAR CON DETERGENTE

Desenrosque la botella y llénela con detergente. Conecte la botella de detergente a la manija del rociador.



## Arranque

Estacione el dispositivo en una superficie plana.

Inserte el enchufe de alimentación en el enchufe.

Abastecimiento de agua

Para los valores de conexión, consulte la placa de características.

### ATENCIÓN

Las impurezas en el agua pueden dañar la bomba de alta presión y los accesorios.

Suministro de agua de red.

Extraer agua de depósitos abiertos.

Este limpiador de alta presión es adecuado para trabajar con la manguera de aspiración con válvula de reflujo para aspirar agua superficial, por ejemplo, de cursos de agua o estanques.

Llene la manguera de succión con agua.

Enrosque la manguera de aspiración en la conexión de agua del aparato e insértela en la fuente de agua (p. ej., bidón de agua de lluvia).

Vacíe el dispositivo de la siguiente manera antes de operar:

- Encienda el interruptor "0/1".
- Desbloquear la palanca del gatillo de la pistola.
- Al empujar la palanca del gatillo de la pistola, el dispositivo se enciende.
- Dejar funcionar el aparato (máx. 2 minutos) hasta que salga agua de la escopeta sin burbujas.
- Suelte la palanca del gatillo de la pistola.
- Bloquee la palanca del gatillo de la pistola.

## Operación

### ATENCIÓN

El funcionamiento en seco durante más de 2 minutos provoca daños en la bomba de alta presión. Si el dispositivo no aumenta la presión en 2 minutos, apáguelo y proceda de acuerdo con las instrucciones del capítulo "Solución de problemas".

### Operación de alta presión

#### ⚠ CUIDADO

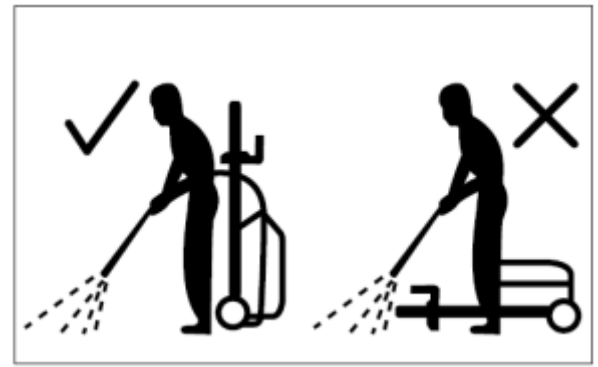
Mantenga una distancia de al menos 30 cm cuando use el chorro para limpiar superficies pintadas para evitar daños.

#### ⚠ CUIDADO

Asegúrese de que el interruptor de encendido/apagado esté en la posición "OFF/ON" e inserte el enchufe en un tomacorriente correctamente instalado.

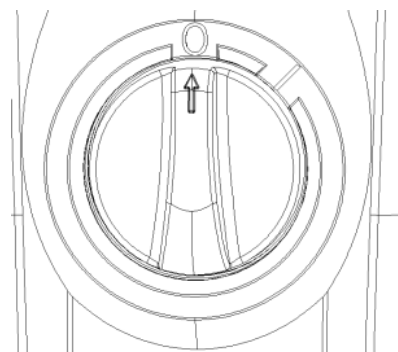
### ATENCIÓN

Esta limpiadora a presión debe utilizarse sobre una superficie segura y estable, en posición vertical.



Conecte el producto al suministro eléctrico y de agua como se describe.

- Abrir el suministro de agua
- Sujete la pistola pulverizadora con ambas manos.
- Dirija la boquilla del accesorio elegido lejos de usted hacia la superficie a limpiar.
- Desbloquee el gatillo y presiónelo hasta que fluya una cantidad constante de agua a través de la boquilla, para permitir que escape el aire atrapado en la manguera.
- Suelte el gatillo.
- Encienda el interruptor "0/1".



- Sujete la pistola pulverizadora con ambas manos. Dirija el chorro de agua hacia el objeto a limpiar y pulse el gatillo.

Suelte la palanca de la pistola del gatillo; el aparato se desconecta de nuevo y detiene el chorro de agua. La alta presión permanece en el sistema.

**ADVERTENCIA** ¡Cuidado con el petardeo al apretar el gatillo!

## Funcionamiento con detergente

El detergente sólo puede añadirse cuando el aparato funciona en modo de baja presión.

### PELIGRO

Cuando se utilicen detergentes, debe respetarse la hoja de datos de seguridad del fabricante del detergente, especialmente las instrucciones relativas al equipo de protección personal equipo de protección personal.

Retire el tapón de la botella de detergente limpia. Saque con cuidado el depósito de detergente de a bordo de su posición de almacenamiento.

Llene el tanque con detergente diseñado específicamente para su uso con lavadoras a presión.

Empuje la botella de detergente con la abertura hacia abajo en la conexión para el detergente limpio de la manguera. Método de limpieza recomendado

- Pulverizar el detergente con moderación sobre la superficie seca y dejar que reaccione pero no que se seque.
- Pulverice la suciedad de forma suelta con el Met de alta presión.
- Desde la mezcla hasta el máximo puede ajustar el flujo de detergente.

Tras el funcionamiento del detergente

- Retire la botella de detergente limpia de la entrada y ciérrela con el tapón.
- Para el almacenamiento, coloque la botella de detergente en el soporte con la tapa hacia arriba.

## Método de limpieza recomendado

- Pulverizar el detergente con moderación sobre la superficie seca y dejar que reaccione pero no que se seque.
- Pulverice la suciedad de forma suelta con el Met de alta presión.
- Desde la mezcla hasta el máximo puede ajustar el flujo de detergente.

## Tras el funcionamiento del detergente

- Retire la botella de detergente limpia de la entrada y ciérrela con el tapón.
- Para el almacenamiento, coloque la botella de detergente en el soporte con la tapa hacia arriba.

## Interrupción del funcionamiento

- Suelte la palanca de la pistola del gatillo.
- Bloquee la palanca de la pistola del gatillo.
- Coloque la pistola con la lanza de pulverización en la posición de estacionamiento.
- Durante las pausas más largas (más de 5 minutos), apague también la máquina con el interruptor "OFF/ON".

## Operación de acabado

- Suelte la palanca de la pistola.
- Apague el dispositivo "0/1".
- Desconecte el enchufe de la toma de corriente.
- Sólo desconecte la manguera de alta presión de la pistola de disparo o el dispositivo sólo cuando no hay presión en el sistema.

### APAGAR

- Presione la palanca de la pistola del gatillo para liberar cualquier presión restante en el sistema.
- Suelte la palanca de la pistola del gatillo.
- Bloquee la palanca de la pistola del gatillo.

### ATENCIÓN

- Al desconectar la manguera de suministro o de alta presión, el agua caliente puede salirse de la conexión después del funcionamiento.
- Desconecte el aparato del suministro de agua.

## Transporte

### CUIDADO

Riesgo de lesiones o daños personales.

Preste atención al peso del aparato durante el transporte.

## Cuando se transporta a mano

- Apague el producto y desconéctelo del suministro de agua y electricidad.
- Tire del asa de transporte hacia fuera hasta que se compromete de forma audible. Coloque los protectores de transporte, si procede.
- Tire del aparato por el asa de transporte.

## Al transportar en vehículos

- Antes del transporte horizontal: cierre el tapón de la botella de detergente limpio.
- Incline el producto hacia usted hasta que esté equilibrado sobre sus ruedas. A continuación, muévelo por su asa de transporte.
- Proteja el producto de cualquier impacto o vibración fuerte que pueda producirse durante el transporte en vehículos.
- Proteja el producto de los desplazamientos y los vuelcos.

## Almacenamiento

### CUIDADO

Riesgo de lesiones o daños personales.

Ten en cuenta el peso del dispositivo a la hora de guardarlo.

## Armazenar o aparelho

- Estacione la máquina en una superficie nivelada.
- Separe la lanza de pulverización de la pistola.
- Pulse el botón de desconexión de la pistola de disparo y extraiga la manguera de alta presión de la pistola de disparo.
- Coloque la pistola de disparo en el depósito para la pistola de disparo.

- Ponga las dos lanzas de pulverización en el almacenamiento para la lanza de pulverización.
- Lanza de pulverización de suciedad: Boquilla hacia la parte inferior.
- Enrolle la manguera de alta presión y cuélguela sobre el almacén de mangueras.
- Guarde la conexión de red en el compartimento de accesorios.
- Antes de períodos de almacenamiento prolongados, como en invierno, observe también las instrucciones de la sección de cuidados.
- Guarde siempre el limpiador a presión, las piezas y los accesorios en un lugar inaccesible para los niños. La temperatura ideal de almacenamiento es entre 10 °C y 30 °C. Almacenar la máquina en el interior para evitar que el agua en la unidad se expanda en condiciones de congelación.
- Se recomienda utilizar el embalaje original para el almacenamiento o cubrir el producto con un paño o envoltorio adecuado para protegerlo del polvo.

## Protección contra la congelación

### ATENCIÓN

Aparatos y accesorios que no son completamente drenado puede ser destruido por las heladas.

Vacíe completamente el aparato y los accesorios y protéjalos contra las heladas.

Para evitar daños:

- Desconecte el aparato del suministro de agua.
- Desconecte la lanza de pulverización de la pistola.
- Conecte el equipo "0/1".
- Empuje la palanca de la pistola pulverizadora hasta que no salga más agua.
- Suelte la palanca de la pistola del gatillo.
- Bloquee la palanca de la pistola de disparo.
- Desconecte la unidad "0/1".
- Guarde el aparato y todos los accesorios en un lugar libre de heladas.

## Cuidado y mantenimiento

### PELIGRO

Riesgo de descarga eléctrica

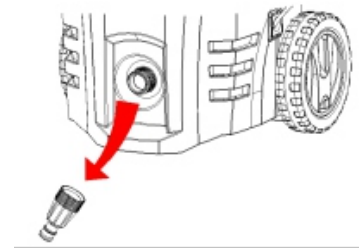
Antes de realizar cualquier trabajo en el aparato, apáguelo y desenchúfelo de la red eléctrica.

### Manguera de alta presión

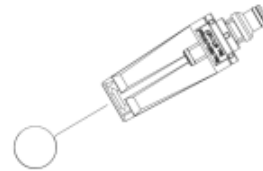
- La manguera de alta presión está especialmente construida con paredes reforzadas y puede dañarse fácilmente, por lo que debe almacenarse con cuidado.
- No lo retuerzas.
- No conduzca vehículos sobre la manguera.
- No esponga la manguera a bordes o esquinas afilados. El uso incorrecto provocará un abombamiento o un fallo prematuro e invalidará la garantía.

## Limpieza de la rejilla de la conexión de agua

Limpie regularmente la rejilla de la conexión de agua.  
Retire el acoplamiento de la conexión de agua, y enjuague con agua caliente para evitar que cualquier materia extraña obstruya la bomba.



Limpie la boquilla con la herramienta de limpieza de agujas suministrada. Retire la lanza de pulverización de la pistola de spray. Elimine la suciedad del orificio de la boquilla y aclare.



### ATENCIÓN

- El tamiz no debe estar dañado.
- Saque el tamiz con unas pinzas planas.
- Limpiar el tamiz bajo el agua corriente.
- Vuelva a introducir el tamiz en la conexión de agua.

## Solución de problemas

PELIGRO - Riesgo de descarga eléctrica.

Apague el aparato y retire el enchufe principal antes de realizar cualquier trabajo de cuidado y mantenimiento. Los trabajos de reparación y los trabajos en los componentes eléctricos solo pueden ser realizados por un servicio de atención al cliente autorizado. Puede corregir fallas menores con la ayuda de la siguiente descripción general. En caso de duda, consulte con el servicio de atención al cliente autorizado.

SympProblematôme	Causa	Acción recomendada
La máquina no arranca	Máquina no enchufada Salida defectuosa El fusible se ha quemado Cable de extensión defectuoso	Conecte el enchufe a la máquina. Pruebe con otra salida. Reemplace el fusible. Apague otras máquinas. Pruebe sin el cable de extensión.
Presión flotante	Bomba de aire de succión Válvulas sucias, gastadas o atascadas Sellos de bomba desgastados	Compruebe que las mangueras y las conexiones sean herméticas. Limpie y reemplace o consulte a su distribuidor local. Limpie y reemplace o consulte a su distribuidor local.
La machine s'arrête	Tensión de red incorrecta Sensor térmico activado Boquilla parcialmente bloqueada	Verifique que el voltaje de la red corresponda a la especificación en la etiqueta del modelo. Deja la lavadora durante 5 minutos para que se enfríe. Limpie la boquilla.

Máquina de pulsos	Manguera de entrada de aire Inadecuado suministro de agua de la red. Boquilla parcialmente bloqueada Filtro de agua bloqueado Mangueras dobladas	Permita que la máquina funcione con el gatillo abierto hasta que se reanude la presión normal de trabajo.
La máquina arranca, pero no sale agua	Bomba/mangueras o accesorio congelado Sin suministro de agua Filtro de agua bloqueado Boquilla bloqueada	Verifique que el suministro de agua cumpla con las especificaciones requeridas. ¡NOTA! Evite usar mangueras largas y delgadas (mín. 1/2"). Limpiar la boquilla / Limpiar el filtro / Enderezar la manguera. Espere a que la bomba/mangueras o el accesorio se descongelen. Encienda el agua de entrada. Limpiar el filtro / Limpiar la boquilla

## Accesorios

Se proporciona una selección de accesorios como parte de la entrega de este producto. Verifique las especificaciones técnicas de los accesorios que compre para asegurarse de que sean compatibles con este producto.

Si tiene alguna pregunta, comuníquese con nuestro Centro de Atención al Cliente. Nuestros datos de contacto son los siguientes:



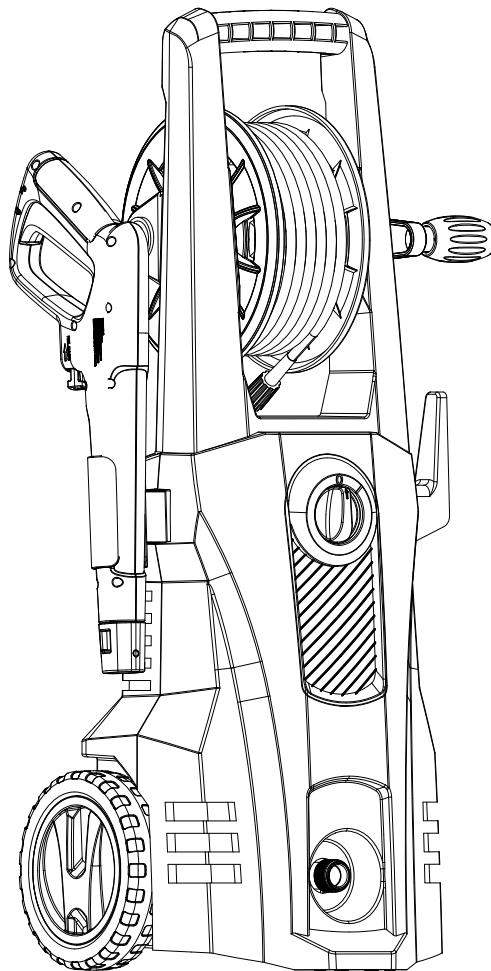
0034-931294512



atencioncliente@aosom.es

IMPORTADOR:  
SPANISH AOSOM, S.L.  
C/ ROC GROS, N° 15. 08550, ELS HOSTALETES DE BALENYÀ, SPAIN.  
B66295775  
WWW.AOSOM.ES  
ATENCIONCLIENTE@AOSOM.ES  
TEL: 931294512  
HECHO EN CHINA





## Máquina de Lavar Alta Pressão

**UK  
CA****CE**

**IMPORTANTE, RETER PARA REFERÊNCIA FUTURA: LEIA  
ATENTAMENTE**

# Manual do Utilizador

# IMPORTANTES INSTRUÇÕES DE SEGURANÇA

## GUARDAR ESTAS INSTRUÇÕES



Leia e cumpra estas instruções de segurança antes de operar o seu aparelho pela primeira vez e guarde-as para utilização futura ou para proprietários subsequentes. Para além das notas aqui contidas, devem ser observadas as disposições e regras gerais de segurança para a prevenção de acidentes. As advertências e notas anexas ao aparelho fornecem informações importantes para o funcionamento seguro.

## Níveis de perigo

### PERIGO

Indicação para o perigo imediato, se não for evitado, o que leva a lesões graves ou à morte.

### ADVERTÊNCIA

Indicação para uma situação possivelmente perigosa, se não evitada, que pode levar a ferimentos graves ou à morte.

### CUIDADO

Indicação para uma situação possivelmente perigosa, se não evitada, que pode levar a lesões menores.

### ATENÇÃO

Indicação para uma situação possivelmente perigosa, que pode levar a danos materiais.

## Componentes eléctricos

### PERIGO

Risco de choque eléctrico.

Nunca tocar na ficha de alimentação e a tomada com as mãos molhadas.

Verificar o cabo de alimentação e o plug antes de cada utilização. Não utilizar a máquina se o cabo de alimentação ou partes importantes da máquina estiverem danificadas, por exemplo, dispositivos de segurança, mangueiras de alta pressão ou pistola de jacto.

Todas as peças condutoras de corrente na área de trabalho devem ser protegidas contra a água do jacto.

A ficha de rede e o acoplamento do cabo de extensão nunca devem ficar na água. Além disso, o acoplamento nunca se deve deitar no chão. É recomendada a utilização de enroladores de cabos que garantam que as tomadas fiquem pelo menos 60 mm acima do solo.

Certificar-se de que o cabo de alimentação ou cabo de extensão não é danificado por atropelamento, beliscão, arrastamento ou algo semelhante. Proteger os cabos de energia do calor, óleo, e arestas vivas.

Desligar sempre o interruptor de desligar a rede quando deixar o aparelho sem vigilância.

### ADVERTÊNCIA

O aparelho só pode ser ligado a uma alimentação eléctrica que tenha sido instalada por

um electricista em conformidade com a IEC 60364.

O aparelho só pode ser ligado a corrente alternada. A voltagem deve corresponder à placa de tipo do aparelho.

Por razões de segurança, recomendamos que o aparelho seja operado apenas através de um dispositivo de corrente residual (máx. 30mA).

Um cabo de extensão eléctrica impróprio pode ser perigoso. Utilizar apenas um cabo de extensão eléctrica que tenha sido aprovado e rotulado para este fim e que tenha uma secção de cabo adequada ao ar livre: 1 - 10 m:1,5 mm<sup>2</sup> ; 10 - 30 m:2,5 mm<sup>2</sup>

Desenrolar sempre totalmente o cabo de extensão do tambor de cabo.

Um cabo de extensão eléctrico impróprio pode ser perigoso.

## Manuseamento seguro

### PERIGO

O utilizador deve utilizar o aparelho como pretendido. A pessoa deve considerar as condições locais e deve prestar atenção às outras pessoas nas proximidades quando trabalha com o aparelho.

Verificar os componentes importantes, tais como mangueira de alta pressão, pistola de pulverização manual e instalações de segurança, quanto a danos antes de cada operação. Substituir de imediato os componentes danificados. Não operar o aparelho com componentes danificados.

O aparelho foi concebido para ser utilizado com o agente de limpeza fornecido ou recomendado pelo fabricante. A utilização de outros agentes de limpeza ou produtos químicos pode afectar negativamente a segurança do aparelho.

Os jactos de alta pressão podem ser perigosos se sujeitos a uma utilização indevida. O jacto não deve ser dirigido a pessoas, equipamento eléctrico vivo ou à própria máquina. Não direcione o jacto contra si próprio ou outros a fim de limpar roupas ou calçado.

Não utilizar o aparelho dentro do alcance das pessoas, a menos que estas usem vestuário de protecção.

Usar equipamento de protecção de pessoal (EPI) apropriado durante o funcionamento do aparelho.

### ADVERTÊNCIA

O aparelho não deve ser operado por crianças ou por pessoal não treinado.

Este aparelho não se destina a ser utilizado por pessoas (incluindo crianças) com capacidades físicas, sensoriais ou mentais reduzidas, ou com falta de experiência e conhecimentos.

As crianças não devem brincar com este aparelho.

Supervisionar as crianças para as impedir de brincar com o aparelho.

Estabelizar o aparelho antes de qualquer trabalho no aparelho ou com o aparelho para evitar danos por acidentes.

O jacto de água que é emitido do bico de alta pressão resulta num poder de repulsão que actua sobre a pistola de pulverização manual.

Certifique-se de que tem uma base firme e também está a segurar firmemente a pistola de pulverização manual e a lança de pulverização.

Nunca deixar o aparelho desacompanhado enquanto estiver em funcionamento.

### ATENÇÃO

Em caso de pausas prolongadas, desligar o aparelho no interruptor principal ou retirar a ficha da rede.

Não utilizar o aparelho a temperaturas inferiores a 0°C

## Outros riscos

### PERIGO

O aparelho não pode ser operado em atmosferas explosivas.

Risco de explosão - Não pulverizar líquidos inflamáveis.

Nunca ingerir fluidos que contenham solventes ou ácidos e solventes não diluídos! Isto inclui gasolina, diluente e óleo de aquecimento. A névoa de pulverização é altamente inflamável, explosiva e venenosa. Não utilizar acetona, ácidos e solventes não diluídos, uma vez que corroem os materiais utilizados no aparelho.

Nunca utilizar o produto com líquidos inflamáveis ou tóxicos, ou líquidos com características incompatíveis com o seu bom funcionamento.

Mantenha os plástico e embalagens longe das crianças, há um risco de asfixia!

### ADVERTÊNCIA

De acordo com os regulamentos aplicáveis, o aparelho nunca deve ser utilizado na rede de água potável sem um separador de sistema. Assegure-se de que a ligação da sua instalação de água de construção na qual o aparelho de limpeza de alta pressão é operado está equipada com um separador de sistema conforme.

A água que passou pelos anti-retornos é considerada como não potável.

Mangueiras, acessórios e acoplamentos de alta pressão são importantes para a segurança do aparelho. Utilizar apenas mangueiras, acessórios e acoplamentos de alta pressão recomendados pelo fabricante.

Para garantir a segurança aplicável, utilizar apenas peças sobressalentes originais do fabricante ou aprovadas pelo fabricante.

Desligar o produto e desligá-lo da fonte de alimentação removendo a ficha da tomada antes da montagem, limpeza, ajustes, manutenção, armazenamento e transporte ou conversão do produto noutra função.

### CUIDADO

Atenção ao peso do aparelho ao seleccionar o local de armazenamento e durante o transporte para evitar acidentes ou ferimentos.

Várias horas de uso contínuo do aparelho podem levar a dormência das mãos em casos raros.

- Usar luvas.
- Mantenha as mãos aquecidas.
- Faça pausas e intervalos regulares. Trabalhar com detergente

### ADVERTÊNCIA

A utilização inadequada de detergentes pode causar lesões graves ou oxidação.

Armazene os produtos de limpeza longe do alcance das crianças.

Descarregar a pressão residual antes de desligar a mangueira do produto.

Verificar antes de cada utilização, e a intervalos regulares, se todos os fechos metálicos estão apertados e se os componentes do produto estão em bom estado; inspeccionar as peças partidas ou desgastadas.

Esteja atento ao pontapé de saída: Segurar com ambas as mãos.

## Riscos residuais

Mesmo que esteja a operar este produto de acordo com todos os requisitos de segurança, subsistem riscos potenciais de ferimentos e danos. Os seguintes perigos podem surgir em ligação com a estrutura e concepção deste produto:

Defeitos de saúde resultantes da emissão de vibrações se o produto estiver a ser utilizado durante longos períodos de tempo ou não for gerido e mantido de forma adequada.

Perigo de ferimentos e danos materiais causados por objectos voadores.

Lesões e danos materiais devidos a acessórios partidos ou ao impacto súbito de objectos escondidos durante a utilização.

## Dispositivos de segurança

### CUIDADO

As instalações de segurança servem a protecção do utilizador e não podem ser modificadas ou passadas.

## Interruptor de alimentação

O interruptor do aparelho impede o funcionamento involuntário do aparelho.

## Pistola de disparo com bloqueio

Esta fechadura bloqueia a alavanca da pistola de disparo e impede o arranque inadvertido do aparelho.

A água que passou pelos anti-retornos é considerada como não potável.

## Interruptor de pressão

Se a alavanca da pistola de disparo for solta o interruptor de pressão desliga a bomba, o jacto de alta pressão é parado. Se a alavanca for puxada, a bomba é ligada novamente.

## Interruptor de protecção do motor

A protecção do motor desliga o dispositivo se o consumo de energia for elevado.

## Equipamento de protecção pessoal

### CUIDADO

Usar vestuário de protecção e óculos de segurança para proteger contra salpicos que contenham água ou sujidade.

Durante a utilização de produtos de limpeza a alta pressão podem desenvolver-se aerossóis. A inalação de aerossóis pode causar danos à saúde.

- Dependente da aplicação, podem ser utilizados bicos completamente protegidos (por exemplo, limpadores de superfície) que reduzem significativamente a emissão de aerossóis aquosos para limpeza a alta pressão.
- O uso de tal blindagem não é possível com todas as aplicações. Símbolos na máquina



O jacto de alta pressão não deve ser direccionado para pessoas, animais, equipamento eléctrico vivo ou para o próprio aparelho.



O aparelho não deve estardirectamente ligado à rede pública de água potável.



Para protecção contra ferimentos, usar protectores auriculares e óculos de protecção.



Usar luvas de segurança durante a utilização para proteger as mãos



Use calçado antiderrapante que protegerá os seus pés e melhorar o equilíbrio em superfícies escorregadias.



O nível de potência sonora é 86dB(A)

## Utilização correcta

Utilize esta máquina de lavar a pressão apenas para casas particulares.

Se for feita a ligação a um sistema de água potável, o sistema deve ser protegido contra refluxo.

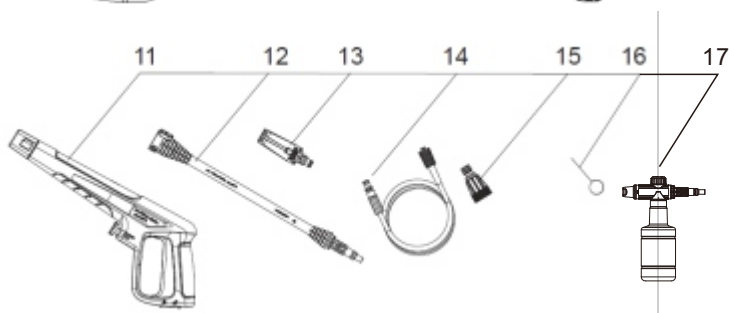
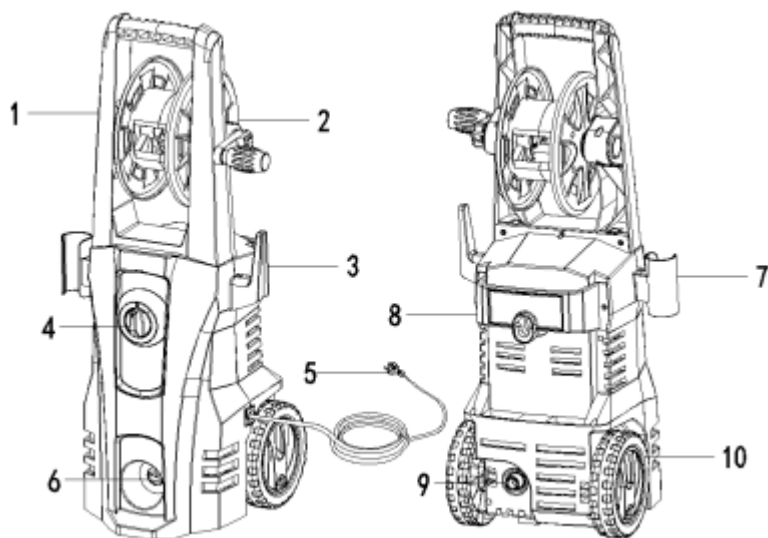
Este produto de limpeza de alta pressão é designado com uma corrente nominal de entrada. A utilização prevista deste produto abrange a limpeza de veículos, edifícios, terraços, fachadas e equipamento de jardim utilizando água limpa e detergentes químicos biodegradáveis. Da mesma forma, o produto pode ser utilizado para a limpeza de lajes de pavimentação ou calçadas de chuva.

Este produto não pode ser utilizado para limpar vestuário, calçado e outros têxteis. O jacto de água não deve ser dirigido contra pessoas.

Animais, qualquer equipamento eléctrico ou sobre o próprio produto. Não descarregar quaisquer objectos que contenham materiais perigosos para a saúde. O produto não deve ser utilizado com líquidos inflamáveis, explosivos e tóxicos.

Por razões de segurança, é essencial ler todo o manual de instruções antes da primeira operação e observar todas as instruções nele contidas.

## Descrição do Aparelho



1. Manusear
2. Enrolador de mangueira de alta pressão
3. Gancho do cabo de alimentação
4. Ajustar interruptor 0/1
5. Cabo de alimentação
6. Entrada de água
7. Suporte da pistola de gatilho
8. Suporte de varinha pulverizadora
9. Saída de água
10. Roda
11. Punho de pulverização
12. Lança de pulverização
13. Bocal
14. Mangueira de alta pressão
15. Conector de entrada de água
16. Ferramenta de limpeza de bicos
17. Garrafa de Detergente

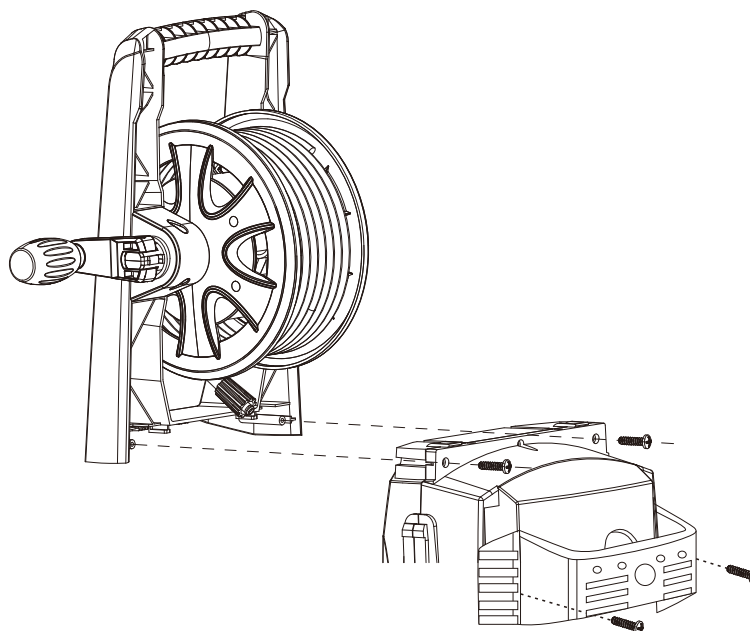
## Especificações técnicas

Voltagem	220V-240V~
Frequência	50/60Hz
Potência	1800W
Classe de Protecção	II
Grau de protecção	IPX5
Pressão nominal	100bar
Pressão admissível	150bar
Fluxo nominal	6,0 L/min
Fluxo máximo	8,5 L/min

## Montagem

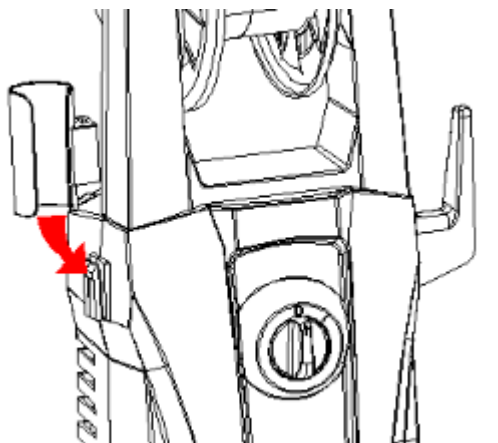
Montar peças soltas entregues com o aparelho antes do arranque

### 1. Instalar o cabo do carretel de mangueira com quatro parafusos

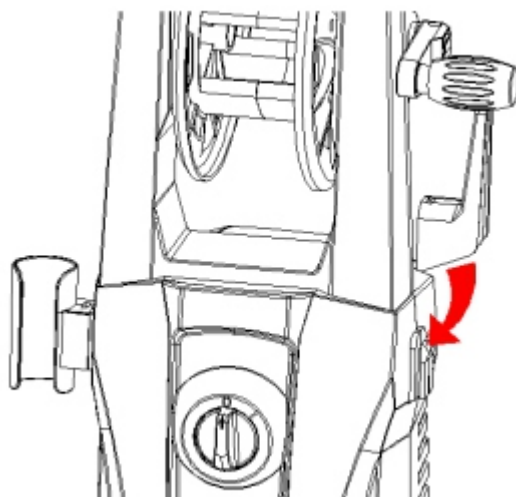




**2. Deslize o suporte da pistola de disparo para a posição de unidade esquerda .**



**3. Deslize o gancho do cabo de alimentação para a posição da unidade à direita.**



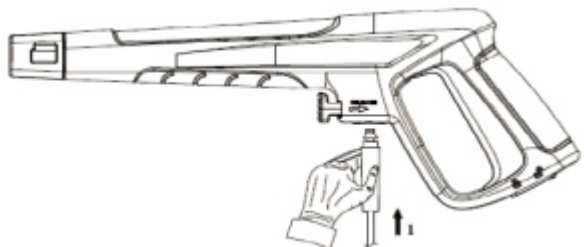
#### **4. Instalação da varinha pulverizadora**

- Encaixar a varinha de pulverização na pistola e rodá-la até as duas partes ficarem completamente bloqueadas.

Insira o bico desejado na lança de pulverização até ouvir um clique.



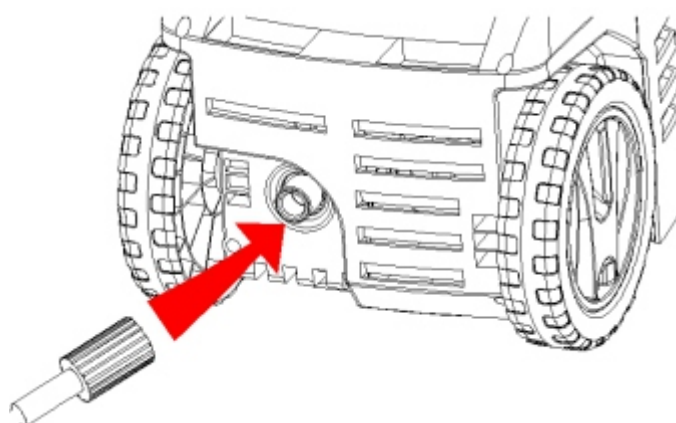
#### **5. Conectar a mangueira de alta pressão à pistola de disparo**



Prima o botão para remover a mangueira

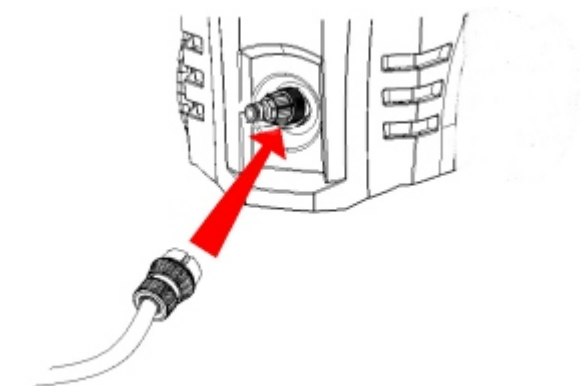
#### **6. Conectar a mangueira de alta pressão à saída da água**

Ligar a outra extremidade da mangueira de alta pressão à saída de água da máquina de lavar e rodar a peça final rotativa preta, conforme indicado, para fixar a ligação.



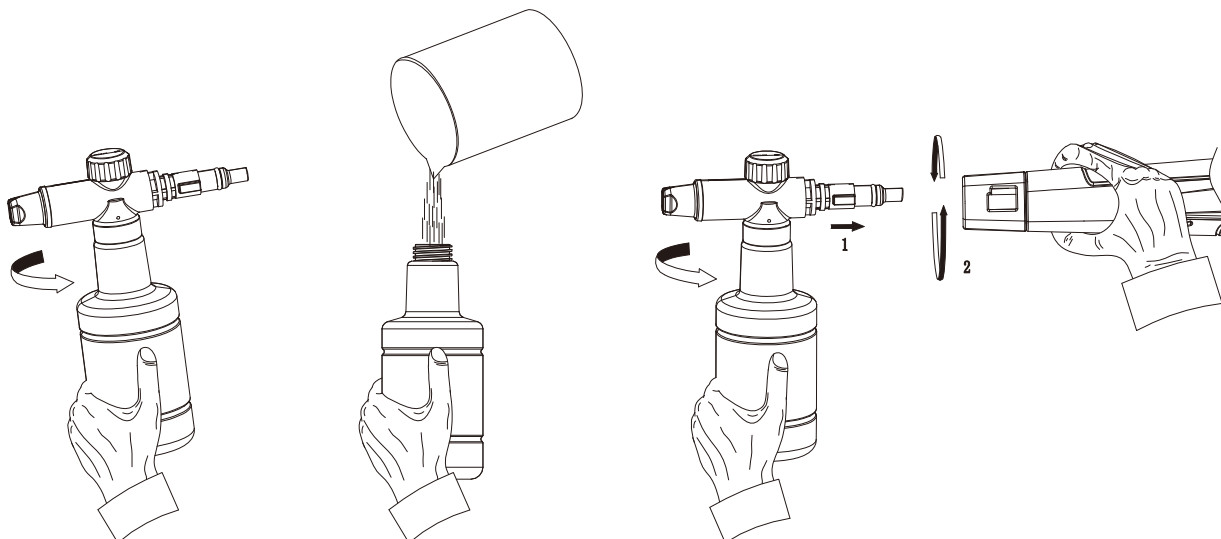
## 7. Conecte a mangueira de jardim na entrada de água

Conecte o adaptador da mangueira de jardim (acoplador fêmea) na entrada de água do lava-jato (precisa ser apertado), depois rosqueie a mangueira de jardim (extremidade macho) no adaptador da mangueira de jardim. É necessário conectar o plugue firmemente e ouvir o som de um clique, caso contrário, o produto não será capaz de receber água normalmente.



## 8. PARA LAVAR COM DETERGENTE

Aparafusar a garrafa e enchê-la com detergente. Conectar a garrafa de detergente ao Spray.



## Arranque

Estacionar o aparelho sobre uma superfície plana.

Inserir a ficha de alimentação na tomada.

### Abastecimento de água

Para valores de conexão, consulte a placa de identificação.

### ATENÇÃO

As impurezas na água podem danificar a bomba de alta pressão e os acessórios.

Abastecimento de água da rede.

Extrair a água a partir dos reservatórios abertos.

Este produto de limpeza de alta pressão é adequado para trabalhar com a mangueira de sucção com vale de refluxo para aspirar água superficial, por exemplo, de regos de água ou lagos.

Encher a mangueira de aspiração com água.

Enroscar a mangueira de aspiração na ligação de água do aparelho e inseri-la na fonte de água (por exemplo, tambor de água da chuva).

Esvaziar o dispositivo como se segue antes do seu funcionamento:

- Ligar o interruptor "0/1"
- Desbloquear a alavanca da pistola de disparo
- Empurrando a alavanca da pistola de disparo, o dispositivo liga-se.
- Deixar o dispositivo funcionar (máx. 2 minutos) até que a água saia da pistola de disparo sem bolhas.
- Solte a alavanca da pistola de disparo.
- Bloquear a alavanca da pistola de disparo.

## Operação

### ATENÇÃO

O funcionamento a seco de mais de 2 minutos leva à danificação da bomba de alta pressão. Se o aparelho não aumentar a pressão dentro de 2 minutos, desligar o aparelho e proceder de acordo com as instruções do capítulo "Resolução de problemas".

## Operação de alta pressão

### ⚠ CUIDADO

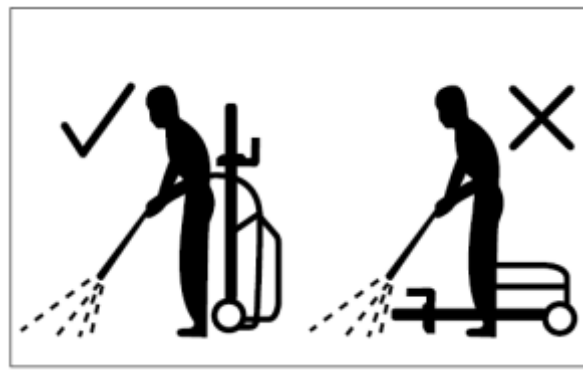
Manter uma distância de pelo menos 30 cm quando utilizar o jacto para limpar superfícies pintadas, a fim de evitar danos.

### ⚠ CUIDADO

Certifique-se de que o interruptor on/off está definido para "OFF/ON" e insira a ficha numa tomada devidamente instalada.

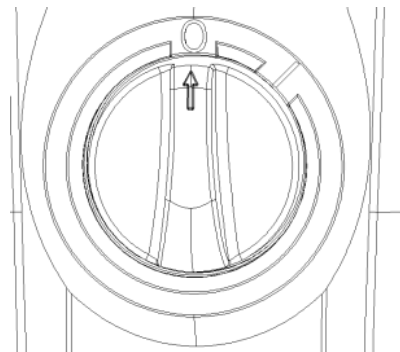
### ATENÇÃO

A máquina de lavar deve ser utilizada numa superfície segura e estável, em posição vertical e em pé



Ligar o produto ao fornecimento de energia e água, tal como descrito.

- Abrir o abastecimento de água
- Segurar a pistola de pulverização com ambas as mãos.
- Direcione o bocal do acessório escolhido para longe de si em direcção à superfície a ser limpa.
- Desbloquear o gatilho e pressioná-lo até que uma quantidade constante de água flua através do bocal, para permitir a fuga de ar preso na mangueira.
- Soltar o gatilho.
- Ligar o interruptor "0/1".



- Segurar a pistola de pulverização com ambas as mãos. Dirigir o jacto de água para o objecto a ser limpo e premir o gatilho.

Solte a alavanca da pistola de gatilho; o dispositivo desliga-se novamente e pára o jacto de água. A alta pressão permanece no sistema.

**ADVERTÊNCIA!** Cuidado com os contragolpes ao premir o gatilho!

### Funcionamento com detergente

O detergente só pode ser adicionado quando o dispositivo é operado em modo de baixa pressão.

#### **PERIGO**

Ao utilizar detergentes, a ficha de segurança dos dados materiais emitida pelo fabricante do detergente deve ser respeitada, especialmente as instruções relativas ao equipamento de protecção pessoal.

Retirar a tampa do frasco de detergente limpo.

Puxar suavemente o depósito de detergente de bordo para fora da sua posição de armazenamento. Método de limpeza recomendado

- Pulverizar o detergente com moderação sobre a superfície seca e permitir que reaja, mas não que seque.
- Pulverize a sujeira solta com o Met de alta pressão.

Após operação com detergente

- Retirar o frasco de detergente limpo da entrada e fechá-lo com a tampa.
- Para armazenamento, colocar o frasco de detergente no retentor com a tampa apontada para cima.

Encher o depósito com detergente concebido especificamente para utilização com lavadoras de pressão.

Empurrar a garrafa de detergente com a abertura apontada para baixo para dentro da ligação para o detergente limpo da mangueira.

### Empfohlene Reinigungsmethode

- Pulverizar o detergente com moderação sobre a superfície seca e permitir que reaja, mas não que seque.
- Pulverize a sujeira solta com o Met de alta pressão.

### Após operação com detergente

- Retirar o frasco de detergente limpo da entrada e fechá-lo com a tampa.
- Para armazenamento, colocar o frasco de detergente no retentor com a tampa apontada para cima.

## Interrupção da operação

- Solte a alavanca da pistola de disparo.
- Bloquear a alavanca da pistola de disparo.
- Colocar a pistola de disparo com a lança de pulverização na posição de estacionamento.
- Durante pausas mais longas (mais de 5 minutos), desligue também o aparelho usando o interruptor "0/1".

## Operação de acabamento

- Solte a alavanca da pistola de disparo.
- Desligar o aparelho "0/1".
- Desligar a ficha de alimentação da tomada.

Só separar a mangueira de alta pressão da pistola de disparo ou do dispositivo quando não houver pressão no sistema.

## DESLIGAR

- Pressionar a alavanca da pistola de disparo para libertar qualquer pressão restante no sistema.
- Solte a alavanca da pistola de disparo.
- Bloquear a alavanca da pistola de disparo.

## ATENÇÃO

- Ao desligar a mangueira de abastecimento ou de alta pressão, a água quente pode vazar da ligação após a operação.
- Desprender o aparelho do abastecimento de água.

## Transportes



### CUIDADO

Risco de ferimentos ou danos pessoais!  
Atenção ao peso do aparelho durante o transporte.

## Ao transportar à mão

- Desligar o produto e desligá-lo do abastecimento de água e energia.
- Puxar para fora a pega de transporte até que se encaixe de forma audível. Anexe guardas de transporte, se aplicável.
- Puxar o aparelho pela sua pega de transporte.

## Ao transportar em veículos

- Antes do transporte horizontal: fechar a tampa do frasco de detergente limpo.
- Incline o produto na sua direcção até que este se equilibre sobre as rodas. Depois mova-o pela sua pega de transporte.
- Proteger o produto de qualquer impacto pesado ou vibrações fortes que possam ocorrer durante o transporte em veículos.
- Proteger o aparelho contra deslocamentos e capotamentos.

## Armazenamento



### CUIDADO

Risco de ferimentos ou danos pessoais!  
Considerar o peso do aparelho ao armazená-lo.

## Armazenar o aparelho

- Estacionar a máquina sobre uma superfície plana.
- Desprender a lança de pulverização da pistola de disparo.
- Premir o botão de desligar na pistola de disparo e puxar a mangueira de alta pressão para fora da pistola de disparo.
- Colocar a pistola de disparo no depósito para a pistola de disparo.
- Colocar ambas as lanças de pulverização no armazenamento para a lança de pulverização.
- Lança de pulverizador de sujidade: Bocal em direcção ao fundo.
- Enrolar a mangueira de alta pressão e pendurá-la sobre o armazenamento da mangueira.
- Armazenar a ligação à rede no compartimento de acessórios.
- Antes de períodos de armazenamento prolongados, como durante o Inverno, observar também as instruções na secção de cuidados.
- Armazenar sempre o limpador de pressão, peças, e acessórios num local inacessível para as crianças. A temperatura ideal de armazenamento situa-se entre os 10 °C e os 30 °C. Armazenar a máquina dentro de casa para evitar que a água da unidade se expanda em condições de congelação.
- Recomendamos a utilização da embalagem original para armazenamento ou cobertura do produto com um pano ou invólucro adequado para o proteger contra o pó.

## Protecção contra congelação

### ATENÇÃO

Aparelhos e acessórios que não são completamente drenados podem ser destruídos pela geada.

Esvaziar completamente o aparelho e os acessórios e protegê-los contra a geada. Para evitar danos:

- Desprender o aparelho do abastecimento de água.
- Desprender a lança de pulverização da pistola de disparo.
- Ligar o aparelho "0/1".
- Empurrar a alavanca da pistola de disparo até que não haja mais água a escapar.
- Solte a alavanca da pistola de disparo.
- Bloquear a alavanca da pistola de disparo.
- Desligar o aparelho "0/1".
- Armazenar o aparelho e todos os acessórios numa sala sem geadas.

## Cuidados e manutenção

### PERIGO

Risco de choque eléctrico

Antes de todos os trabalhos no aparelho, desligar o aparelho e puxar a ficha de alimentação.

## Mangueira de alta pressão

A mangueira de alta pressão é especialmente construída com paredes reforçadas e pode ser facilmente danificada e deve ser armazenada cuidadosamente.

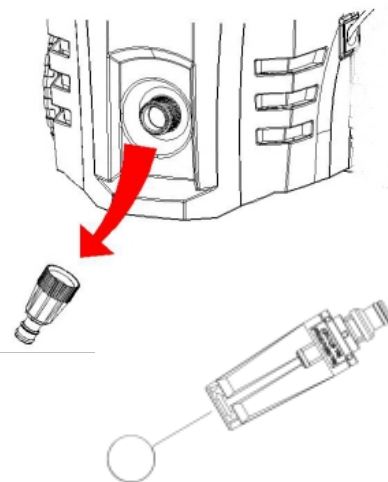
- Não dobrar.
- Não conduzir veículos por cima da mangueira.
- Não exponha a mangueira a arestas ou cantos afiados. O mau uso conduzirá a balões ou a falhas prematuras e invalidará a garantia.

## Limpar a peneira na ligação da água

Limpar regularmente a peneira na ligação da água.

Remover o acoplamento da ligação de água, e enxaguar com água quente para evitar que qualquer matéria estranha entupa a bomba.

Limpar o bocal com a ferramenta de limpeza da agulha fornecida. Retirar a lança de pulverização da pistola. Remover qualquer sujidade do orifício do bico e enxaguar.



### ATENÇÃO

- A peneira não deve ser danificada.
- Puxar a peneira para fora usando um alicate plano.
- Limpar a peneira sob água corrente.
- Reinsserir a peneira na ligação de água.

## Resolução de problemas

PERIGO - Risco de choque eléctrico.

Desligar o aparelho e remover a ficha principal antes de realizar qualquer trabalho de cuidado e manutenção. Os trabalhos de reparação e os trabalhos nos componentes eléctricos podem ser

realizados apenas por um serviço de assistência ao cliente autorizado. Pode rectificar avarias menores com a ajuda da seguinte visão geral. Em caso de dúvida, consulte o serviço de assistência ao cliente autorizado.

Problema	Causa	Ação recomendada
Máquina recusa-se a arrancar	Máquina não ligada à tomada Tomada com defeito O fusível queimou Cordão de extensão defeituoso	Liagar a tomada na máquina Experimente outra tomada. Substituir o rastilho. Desligar outras máquinas. Tente sem o cabo de extensão.
Pressão flutuante	Bomba de ar de sucção Válvulas sujas, desgastadas ou presas Vedações da bomba gastas	Verificar se as mangueiras e ligações são herméticas. Limpar e substituir ou referir-se ao distribuidor local. Limpar e substituir ou referir-se ao distribuidor local.
Paragens de máquina	Tensão de rede incorrecta Sensor térmico activado Bocal parcialmente bloqueado	Verificar se a tensão de rede corresponde à especificação na etiqueta do modelo. Deixar a máquina de lavar durante 5 minutos para arrefecer. Limpar o bocal




Máquina a pulsar	Mangueira de entrada de ar Abastecimento inadequado de água da rede Bocal parcialmente bloqueado Filtro de água bloqueado Mangueiras dobradas	Permitir que a máquina funcione com o gatilho aberto até que a pressão de trabalho regular seja retomada. Verificar se o abastecimento de água corresponde às especificações exigidas NOTA! Evite usar mangueiras longas e finas (min. 1/2"). Limpar o bocal /Limpar o filtro/ Endireitar a mangueira.
A máquina arranca, mas não sai água	Bomba/mangueiras ou acessório congelado Sem abastecimento de água. Filtro de água bloqueado /Bocal bloqueado	Aguardar que a bomba /mangueiras ou o acessório descongelem. Ligar a água de entrada. Limpar o filtro /Limpar o bocal

## Acessórios

Uma escolha de acessórios é fornecida no âmbito da entrega deste produto. Por favor, verifique as especificações técnicas de quaisquer acessórios que adquira para garantir que são compatíveis com este produto.

Se tiver alguma dúvida, por favor contacte o nosso Centro de Atendimento ao Cliente.

Os nossos dados de contacto são os seguintes:

 0034-931294512

 info@aosom.pt.

IMPORTADOR:  
SPANISH AOSOM, S.L  
C.ROC GROS N.15, 08550. ELS HOSTALETS DE BALENYÀ  
TEL: 931294512 (SEG-SEX DAS 7:30H ÀS 16:30H)  
INFO@AOSOM.PT  
WWW.AOSOM.PT

