



IN221200510V02\_UK

**820-176V70**

**Model: NDY-19CRI-E**



**Electric Fireplace**



**IMPORTANT, RETAIN FOR FUTURE REFERENCE: READ CAREFULLY**

**INSTALLATION AND USER INSTRUCTION GUIDE**

## **EN**

### **Installation**

The Electric heater is supplied with approximately 1.7 meters of flexible mains cable (1mm<sup>2</sup>).The appliance and surround should be located close to a suitable mains socket and **MUST** be easily accessible to allow proper connection.

This heater **MUST** be earthed. If in any doubt consult the manufacturer, its service center or a qualified person.

**The installation is as follow:**

## **FR**

### **Installation**

Le radiateur électrique est fourni avec environ 1,7 mètre de câble d'alimentation flexible (1 mm<sup>2</sup>).

Ce radiateur **DOIT** être mis à la terre. En cas de doute, consultez le fabricant, son centre de service ou une personne qualifiée.

**L'installation est la suivante:**

## **ES**

### **Instalación**

El calentador eléctrico se suministra con aproximadamente 1,7 metros de cable de alimentación flexible (1 mm<sup>2</sup>). El electrodoméstico y el entorno deben estar ubicados cerca de una toma de corriente adecuada y **DEBEN** ser fácilmente accesibles para una conexión adecuada.

Este calentador **DEBE** estar conectado a tierra. Si tiene alguna duda, ponga en contacto con el fabricante, su centro de servicio o una persona calificada.

**La instalación es la siguiente:**

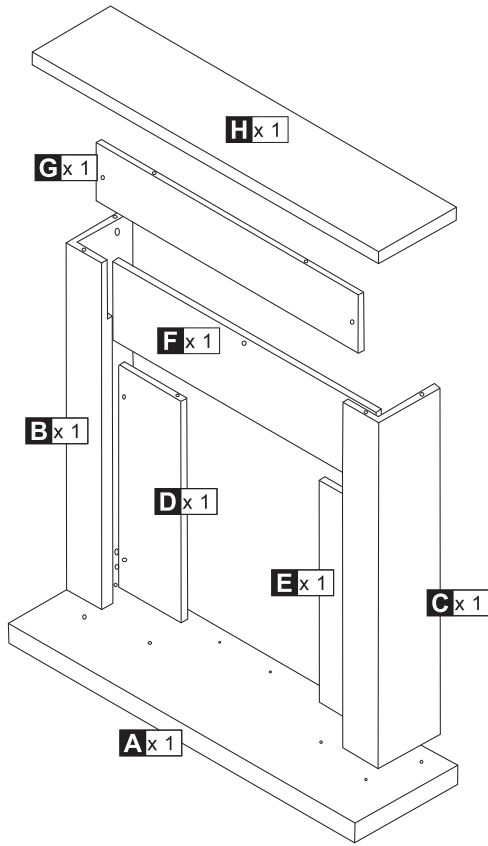
## **IT**

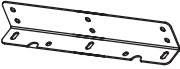




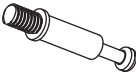



### **Installazione**

Il riscaldatore elettrico viene fornito con circa 1,7 metri di cavo di rete (1 mm<sup>2</sup>). L'apparecchio e il rivestimento devono essere posizionati vicino a una presa di rete elettrica idonea e **DEVONO** essere facilmente accessibili per consentire un corretto collegamento.

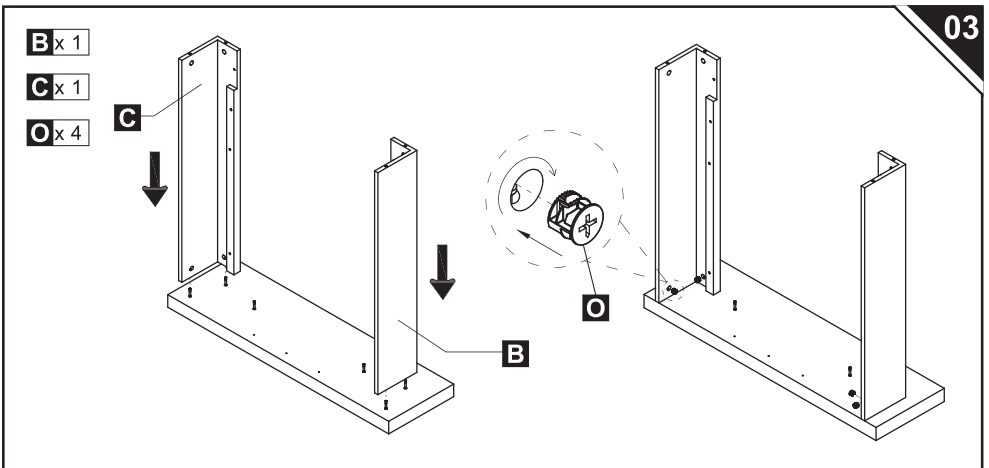
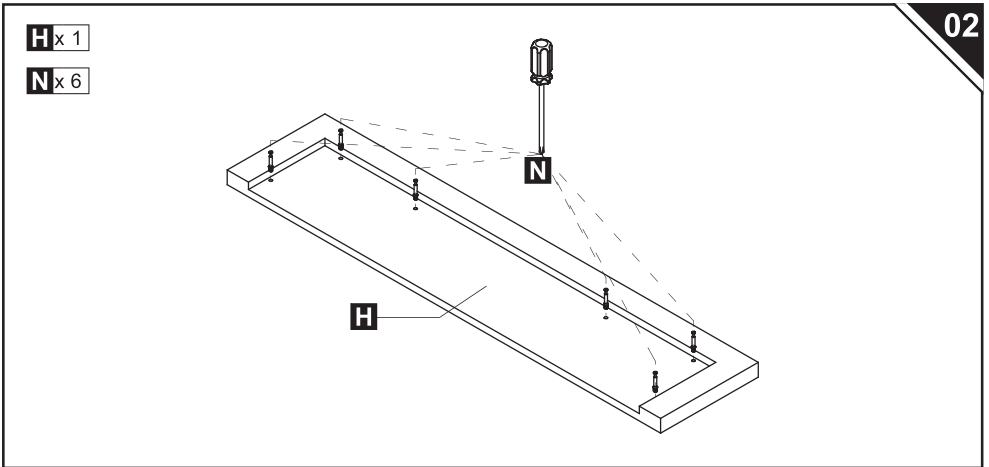
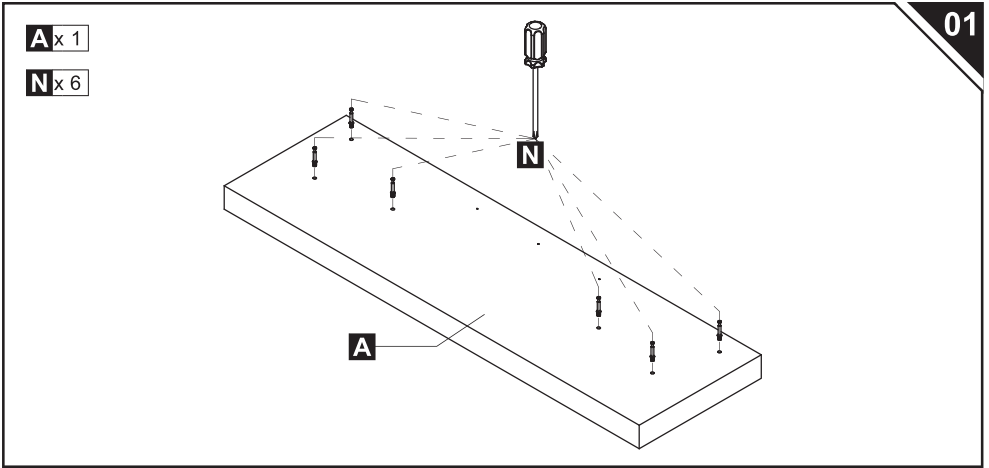
Questo riscaldatore **DEVE** essere collegato a terra. In caso di dubbi, consultare il produttore, il suo centro di assistenza o una persona qualificata.

**L'installazione avviene come segue:**



	<b>I x 1</b>		<b>J x 1</b>
	<b>K x 9</b>		<b>L x 6</b>
	<b>M x 3</b>		<b>N x 12</b>
	<b>O x 12</b>		<b>P x 9</b>
	<b>Q x 2</b>		

ST4\*8; ST4\*10;



04

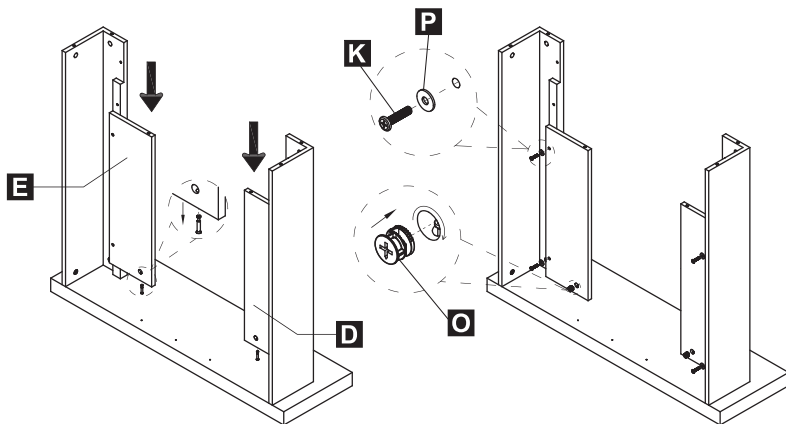
**D** x 1

**E** x 1

**K** x 4

**O** x 2

**P** x 4

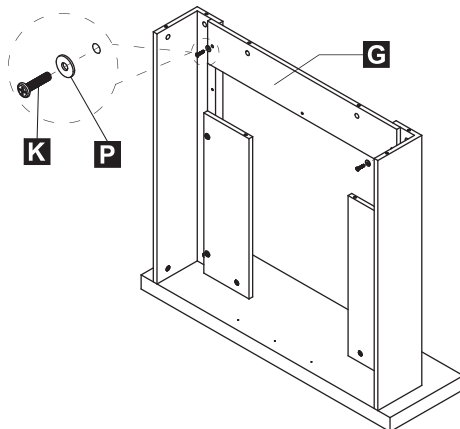


05

**G** x 1

**K** x 2

**P** x 2



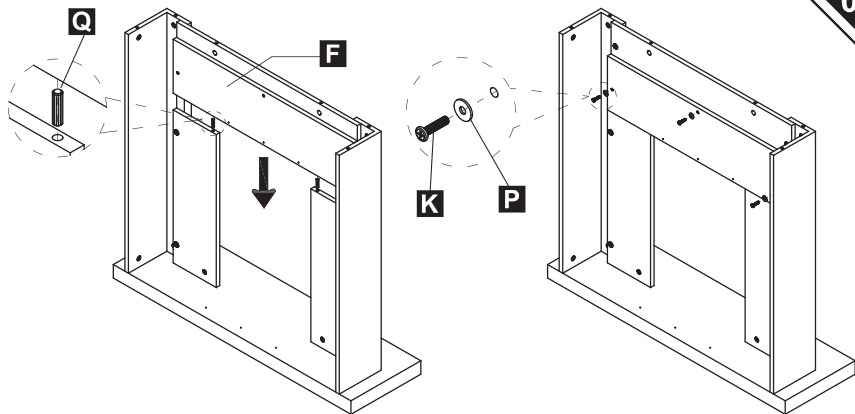
06

**F** x 1

**K** x 3

**P** x 3

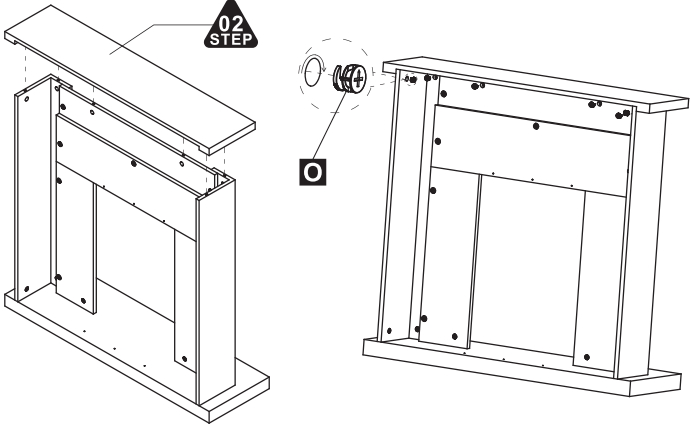
**Q** x 2



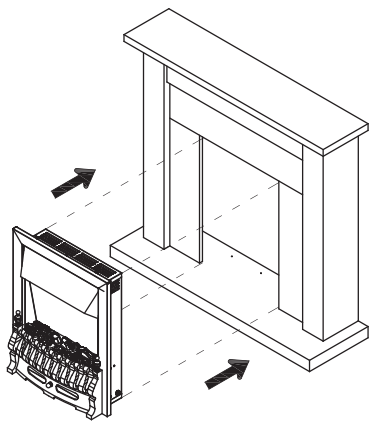
Ø x 6

02  
STEP

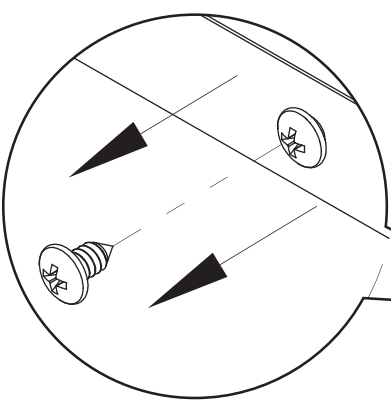
07



08



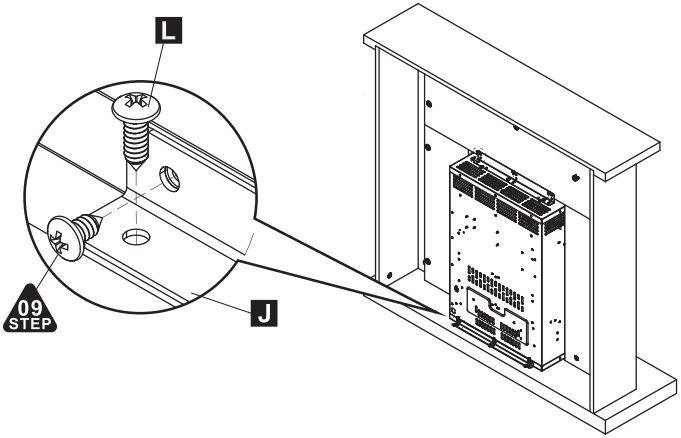
09



10

J x 1

L x 3

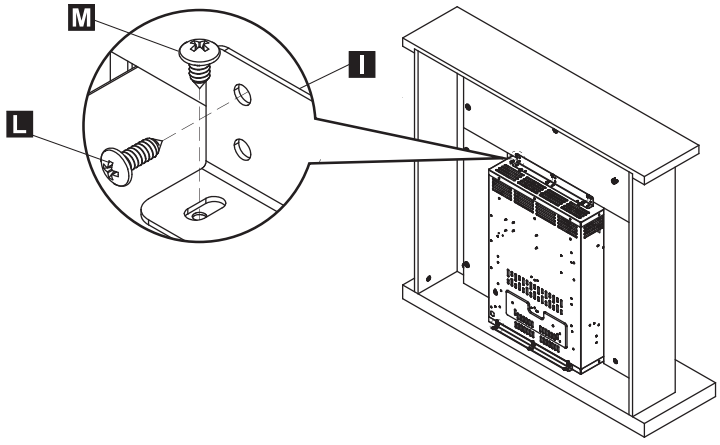


11

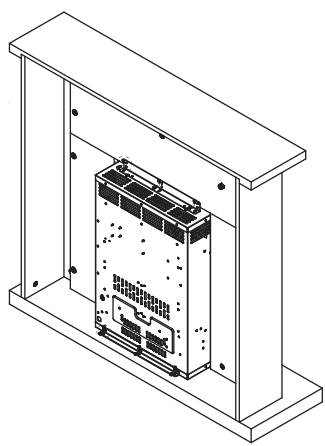
I x 1

L x 3

M x 3



Done



### Important Safety Instructions

Please read the instructions below carefully before installation or use of your Electric Heater, and retain for future reference. Before connecting the heater to the power, please remove the two pieces of foam from the rear. You can choose to use the rear surround or not, but please do not pull or carry the heater by any edge to avoid potential injury.

- Please read all instructions carefully before using this product.
- Make sure that the voltage rating label on the type plate corresponds to your main voltage. If not see your retailer and do not connect the appliance.
- Never use the appliance unsupervised when in use.
- If you have to leave even for a short moment please stop the appliance.
- Keep out of reach of children and do not allow them to operate this appliance
- Only use the appliance for domestic purposes and in the way indicated in these instructions.
- From time to time check the cord for damages. Never use the appliance if the cord or any part of the appliance shows any signs of damage.
- If the supply cord is damaged, it must be replaced by the manufacturer, its service agent or similarly qualified persons in order to avoid a hazard.
- Make sure the connection cord does not touch any hot surfaces.



- **WARNING:** In order to avoid overheating, do not cover the heater.
- Keep the appliance at least 15cm (6inches) from walls and any other thing, to permit a good air circulation.
- Do not use the appliance outdoors
- Do not use if you have wet hands.
- Never use the appliance on or near hot surfaces.
- Never move the appliance by pulling the cord.
- Before cleaning the appliance, make sure it is unplugged from the power and that it is completely cooled.
- Do not clean the appliance with abrasive chemicals.
- Never use accessories that are not recommended or supplied by the manufacturer. It could cause danger to the user or damage to the appliance
- Never route the mains cable beneath carpet.
- Never use the heater to dry clothes or any other similar items.
- The heater must not be located immediately below a socket outlet.
- This heater must not be used with an extension lead.
- Do not use this heater with a programmer, timer or any other device that switches the heater on automatically, since a fire risk exists if the heater is covered or positioned incorrectly.
- Do not use this heater in the immediate surroundings of a bath, a shower or a swimming pool.
- **CAUTION:** In order to avoid a hazard due to inadvertent resetting of the thermal cutout, this appliance must not be supplied through an external switching device, such as a timer, or connected to a circuit that is regularly switched on and off by the utility.
- This appliance can be used by children aged from 8 years and above and persons with reduced physical, sensory or mental capabilities or lack of experience and knowledge if they have been given supervision or instruction concerning use of the appliance in a safe way and understand the hazards involved. Children shall not play with the appliance. Cleaning and user maintenance shall not be made by children without supervision.
- Children of less than 3 years should be kept away unless continuously supervised.
- Children aged from 3 years and less than 8 years shall only switch on/off the appliance provided that it has been placed or installed in its intended normal operating position and they have been



given supervision or instruction concerning use of the appliance in a safe way and understand the hazards involved. Children aged from 3 years and less than 8 years shall not plug in, regulate and clean the appliance or perform user maintenance.

- **CAUTION** — Some parts of this product can become very hot and cause burns. Particular attention has to be given where children and vulnerable people are present.
- **WARNING:** This heater is not equipped with a device to control the room temperature. Do not use this heater in small rooms when they are occupied by persons not capable of leaving the room on their own, unless constant supervision is provided.

A. Do not use two high-power appliances in the same socket.

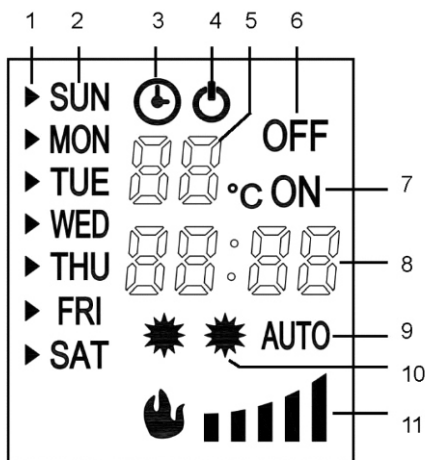
B. The plug needs to be plugged in fully.

C. Product socket cannot use extension cord.

The socket need to be conformed to BS1363, The maximum withstand current value needs to be greater than 13A (Only for UK market).

### Instructions for Use

The appliance can be operated either by the switches located on the front right hand side of the fire or by the supplied remote control.



1	Cursor	2	Day time	3	Timer
4	Standby	5	Temperature/serial number display	6	Timer off
7	Timer on	8	Time/Temperature display	9	Automatic control of heating
10	Heating position	11	Flame brightness		

**Temperature and serial number display:** Normally it displays the room temperature; while setting the temperature, the setting temperature is displayed; When setting the timer, serial number is displayed.

**Time/Temperature display:** Normally it displays the current time; while setting the timer, the setting time is displayed. When setting the temperature of the week timer, the setting temperature is displayed.

**Time on and time off:** It is displayed while setting the timer, and it is used in combination with serial number setting.

**Flame brightness:** It displays the current brightness of the flame, which ranges from one to five positions.

## Manual Operation

This is done by operating the switches located at the front right hand side of the fire. The standby rocker switch must first be switched on, the fire will beep to indicate that it is powered up.

Press the "I/O" button once to turn on the appliance and fire effect. A red indicator light will show to indicate that the fire is ON. Press the "I/O" button for 3 seconds, this will operate the dimmer mode, hold the button down until the desired brightness is obtained.

Press the 1000W button once for the low heat setting; press twice to switch off the heat setting.

Press the 2000W button once for the high heat setting; press twice to switch off the heat setting.

## Remote Operation

The standby rocker switch located at the front left hand side of the fire must first be switched on; the fire will beep to indicate that it is powered up.

It takes a little time for the receiver to respond to the transmitter. Do not press the buttons more than once within two seconds for the fire to operate normally.

### 1. Boot steps

- 1) Connect the power
- 2) Turn on the power switch
- 3) Press the "ON/OFF" key of the remote controller to start up
- 4) Press the 1000W button for the 1000W heat settings; press twice to switch off the heat setting.
- 5) Press the 2000W button for the 2000W heat settings; press twice to switch off the heat setting.
- 6) Press the DIMMER button for operate the dimmer mode.

### 2. Automatic heating

Press "IC" button on the remote controller to start or exit the automatic heating.

When turned on, the fireplace can automatically change the heating mode depending on the set temperature and the room temperature.

During a timed starting process, it is possible to start heating ahead of schedule.

### 3. Setting the day and time

- 1) Settings are done on the remote controller
- 2) Press "DATE TIME" button, then press the "▲" or "▼" key to select the day
- 3) Press "DATE TIME" button again, then press the "+" or "-" to set the hour
- 4) Press "DATE TIME" button again, then press the "+" or "-" to set the minute
- 5) Press "OK" button to complete

### 4. Temperature setting

The default set temperature is 20 °C, press "+" or "-" on the remote controller to set the temperature, which ranges from 15 to 30°C. And this setting is only for the temperature in the normally mode, not for the temperature in the timer mode.

**NOTE:** The set temperature must be higher than the room temperature for the heat working.

### 5. Timer setting

#### 1) Description of timer setting

There are up to 10 items for timer setting

Each setting item has its date, power-on time and shutdown time

The max. duration of each setting item is 23 hours 50 minutes

The setting date for each item can be any day or days of a week

The date in each setting item represents the date of power-on time

If the shutdown time of the setting falls on the second day, it is unnecessary to set the date – you just set the shutdown time

## 2)Steps to view the timer setting

Press the "TIMER SET" button

Press the "+" or "-" to check the power-on time of the timer one by one.

For checking the shutdown time, press the "▲" button

Press the "+" or "-" to continue viewing

For deleting the current item of setting, press "C" to delete

## 3) Steps for timer setting

### (I) Select the settings of the serial number

Press the "TIMER SET" button, and the serial number starts blinking

Press the "+" or "-" to change the serial number until you get the serial number that you need to set or modify.

### (II) Select date

Press "TIMER SET" button once again, and the cursor on the left side of day starts blinking

Press the "▲" or "▼" keys to move the cursor to the corresponding day, press the "+" to add the corresponding day, or press "-" to delete the day until you have completed the selection of all dates.

### (III) Set the start time

Continue to press the "TIMER SET" button, the hour starts blinking

Press the "+" or "-" to adjust the hour

Continue to press the "TIMER SET" button, the minute starts blinking

Press the "+" or "-" to adjust minute

### (IV) Set the shutdown time

Then press the "TIMER SET" button, the display is off, and the hour starts blinking

Press the "+" or "-" to adjust the hour.

Continue to press the "TIMER SET" button, the minute starts blinking

Press the "+" or "-" to adjust minute

### (V) Set temperature

Then press the "TIMER SET" button, and the temperature set starts blinking. At this moment, the temperature displayed is normally set temperature, which can be adjusted by pressing "+" or "-"

**(VI) Press "TIMER SET" button to continue setting, and press "OK" complete the setting**

## 6. Timer switch

"TIMER ON/OFF" is to control the timed opening and closing

Restart the machine after power is cut off, the last timer setting is kept, but the current date and time must be reset

**NOTE 1:** When the week timer is power on, you should turn on the heating function, or else when the machine is working again, there will be only the flame effect working.

**NOTE 2:** Repeat the same procedures to set more timing cycles if required after the 01 timing cycle is finished.

**NOTE 3:** When the week timer setting is finished, "TIMER ON/OFF" function can be effective.

## Safety Cut-Off

This appliance is fitted with a safety cut-off which will operate if the fire overheats (e.g. due to blocked air vents). For safety reasons, the fire will NOT automatically reset.

To reset the appliance, disconnect the appliance from the mains supply for at least 15 minutes. Reconnect to the mains supply and switch on the appliance.

## Troubleshooting

Symptom	Solution
No operation/ no fan.	Check if put the electric plug into the socket. Check for safety cut-off operation.
No fire effect light.	Check the LED system by qualified electrician.

### **Cleaning and Maintenance**

Warning- Always disconnect from the mains supply before cleaning heater.

For general cleaning use a soft clean duster - never use harsh abrasive or cleaners.

The glass viewing screen should be cleaned carefully with a soft cloth. DO NOT use proprietary glass cleaners.

This product does not use a standard bulb for its flame effect. The appliance uses an electronically controlled LED system to create the effect, therefore no parts need to be replaced. There are no user-serviceable parts on this appliance. Under no circumstances should the appliance be serviced by anyone other than a qualified electrician.

### **Disposal**

At the end of the product's serviceable life it should be disposed of thoughtfully and safely in accordance with local authority regulations. The plug should be Removed from the power supply cord and the power cord cut from the heater

### **Technical Specification**

Supply: 220-240V~ 50Hz

Rated power: 1800- 2000W

Illumination: LED system (no replaceable parts)



Meaning of crossed –out wheeled dustbin:

Do not dispose of electrical appliances as unsorted municipal waste, use separate collection facilities. Contact you local government for information regarding the collection systems available.

If electrical appliances are disposed of in landfills or dumps, hazardous substances can leak into the groundwater and get into the food chain, damaging your health and well-being.

If you have any questions, please contact our customer care center.

Our contact details are below:



0044-800-240-4004



enquiries@mhstar.co.uk

IMPORTER ADDRESS:

MH STAR UK LTD

Unit 27, Perivale Park,

Horsenden lane South

Perivale, UB6 7RH

MADE IN CHINA

**Table for information requirements for electric local space heaters.**

Model identifier(s):820-176V70					
Item	Symbol	Value	Unit	Item	Unit
<b>Heat output</b>			Type of heat input, for electric storage local space heaters only (select one)		
Nominal heat output	$P_{nom}$	1.9	kW	Manual heat charge control with integrated thermostat	N/A
Minimum heat output (indicative)	$P_{min}$	0.95	kW	Manual heat charge control with room and/or outdoor temperature feedback	N/A
Maximum continuous heat output	$P_{max}$	1.9	kW	Electronic heat charge control with room and/or outdoor temperature feedback	N/A
Auxiliary electricity consumption			Fan assisted heat output		N/A
At nominal heat output	$eI_{max}$	0.014(fan motor)	kW	Type of heat output/room temperature control (select one)	
At minimum heat output	$eI_{min}$	0.014(fan motor)	kW	Single stage heat output and no room temperature control	[no]
In standby mode	$eI_{SB}$	0.48	W	Two or more manual stages, no room temperature control	[no]
				With mechanic thermostat room temperature control	[no]
				With electronic room temperature control	[no]
				Electronic room temperature control plus day timer	[no]
				Electronic room temperature control plus week timer	[yes]
<b>Table for information requirements for electric local space heaters</b>					
				Room temperature control, with presence detection	[no]
				Room temperature control, with open window detection	[no]
				With distance control option	[no]
				With adaptive start control	[yes]
				With working time limitation	[no]
				With black bulb sensor	[no]
Contact details:	IMPORTER ADDRESS: MH STAR UK LTD Unit 27, Perivale Park, Horsenden lane South Perivale, UB6 7RH MADE IN CHINA				

**Remark:**

For electric local space heaters, the measured seasonal space heating energy efficiency  $\eta_s$  cannot be worse than the declared value at the nominal heat output of the unit.



IN221200510V02\_FR

**820-176V90**

**Modèle:NDY-19CRI-E**



**Foyer à Poêle  
électrique**



**IMPORTANT : LIRE ATTENTIVEMENT ET CONSERVEZ CE MANUEL  
POUR VOUS Y REFERER ULTERIEUREMENT**

**GUIDE DE MONTAGE ET D'UTILISATION**

## Consignes de sécurité importantes

- Veuillez lire attentivement toutes les instructions avant d'utiliser ce produit.
- Assurez-vous que l'étiquette de tension indiquée sur la plaque signalétique correspond à la tension principale. Si ce n'est pas le cas, consultez votre revendeur et ne connectez pas l'appareil.
- N'utilisez jamais l'appareil sans surveillance lorsqu'il est utilisé.
- Si vous devez partir même brièvement, arrêtez l'appareil.
- Gardez hors de la portée des enfants et ne leur permettez pas d'utiliser cet appareil.
- N'utilisez l'appareil qu'à des fins domestiques et de la manière indiquée dans ces instructions.
- Vérifiez de temps en temps que le cordon n'est pas endommagé. N'utilisez jamais l'appareil si le cordon ou toute autre partie de l'appareil présente des signes de dommages.
- Si le cordon d'alimentation est endommagé, il doit être remplacé par le fabricant, son agent de service ou des personnes de qualification similaire afin d'éviter tout danger.
- Assurez-vous que le cordon de connexion ne touche aucune surface chaude.



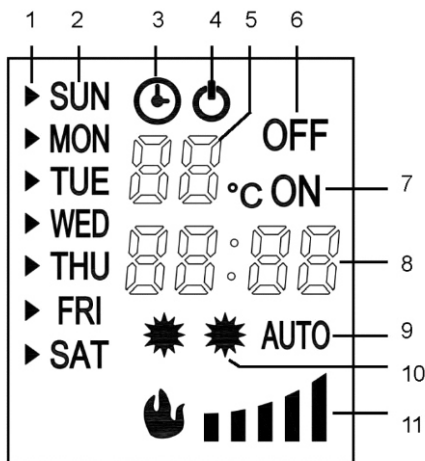
**AVERTISSEMENT:** Afin d'éviter toute surchauffe, ne pas couvrir le radiateur.

- Gardez l'appareil à au moins 15 cm (6 pouces) des murs et de toute autre chose, pour permettre une bonne circulation de l'air.
- N'utilisez pas l'appareil à l'extérieur
- Ne pas utiliser si vous avez les mains mouillées.
- N'utilisez jamais l'appareil sur ou à proximité de surfaces chaudes.
- Ne déplacez jamais l'appareil en tirant sur le cordon.
- Avant de nettoyer l'appareil, assurez-vous qu'il est débranché et qu'il est complètement refroidi.
- Ne nettoyez pas l'appareil avec des produits chimiques abrasifs.
- N'utilisez jamais d'accessoires non recommandés ou fournis par le fabricant. Cela pourrait représenter un danger pour l'utilisateur ou endommager l'appareil
- Ne faites jamais passer le câble d'alimentation sous les tapis.
- N'utilisez jamais le radiateur pour sécher des vêtements ou tout autre objet similaire.
- L'appareil de chauffage ne doit pas être situé immédiatement sous une prise de courant.
- Ce chauffage ne doit pas être utilisé avec une rallonge.
- Utilisez ce radiateur avec un minuteur, une minuterie ou tout autre appareil qui allume automatiquement le radiateur, car il existe un risque d'incendie si le radiateur est couvert ou mal positionné.
- N'utilisez pas cet appareil de chauffage dans les environs immédiats d'un bain, d'une douche ou d'une piscine.
- **MISE EN GARDE:** Afin d'éviter tout danger dû à une réinitialisation accidentelle de la protection thermique, cet appareil ne doit pas être alimenté par un dispositif de commutation externe, tel qu'une minuterie, ou connecté à un circuit qui est régulièrement allumé et éteint par le service public.
- Cet appareil peut être utilisé par des enfants âgés de 8 ans et plus et des personnes ayant des capacités physiques, sensorielles ou mentales réduites ou par un manque d'expérience et de connaissance s'ils ont reçu une supervision ou des instructions concernant l'utilisation de l'appareil en toute sécurité. Les enfants ne doivent pas jouer avec l'appareil. Le nettoyage et la maintenance par l'utilisateur ne doivent pas être effectués par des enfants sans surveillance.
- Les enfants de moins de 3 ans devraient être tenus à l'écart à moins d'être surveillés en permanence.
- Les enfants âgés de 3 ans et moins de 8 ans ne doivent allumer / éteindre l'appareil que s'il a été placé ou installé dans sa position normale de fonctionnement prévue et qu'ils ont reçu une supervision ou des instructions concernant l'utilisation de l'appareil en toute sécurité et comprendre les dangers impliqués. Les enfants âgés de 3 ans et moins de 8 ans ne doivent pas brancher, régler et nettoyer l'appareil ni effectuer l'entretien par l'utilisateur.
- **ATTENTION** - Certaines parties de ce produit peuvent devenir très chaudes et provoquer des brûlures. Une attention particulière doit être accordée aux endroits où les enfants et les personnes vulnérables sont présents.

- **AVERTISSEMENT:** Cet appareil de chauffage n'est pas équipé d'un dispositif pour contrôler la température de la pièce. N'utilisez pas cet appareil de chauffage dans des pièces de petite taille lorsqu'elles sont occupées par des personnes qui ne sont pas capables de quitter la pièce par elles-mêmes, sauf si une surveillance constante est assurée.
- En ce qui concerne les instructions pour remplacer l'ampoule, merci de vous référer au paragraphe ci-dessous du manuel.

### Instructions d'utilisation

L'appareil peut être mis en marche soit par l'interrupteur situé en haut à droite, soit par la télécommande fournie.



1	Curseur	2	Heure du jour	3	Minuteur
4	Veille	5	affichage de la température / numéro de sé	6	temps OFF
7	temps ON	8	affichage de temps / température	9	Contrôle automatique du chauffage
10	Position de chauffage	11	Luminosité de la flamme		

**Affichage de la température et du numéro de série:** Normalement, il affiche la température de la pièce; en réglant la température, la température de réglage est affichée; Lors du réglage de la minuterie, le numéro de série est affiché.

**Affichage temps / température:** Normalement, il affiche l'heure actuelle; Pendant le réglage de la minuterie, l'heure de réglage est affichée. Lorsque vous réglez la température de la minuterie hebdomadaire, la température de réglage est affichée.

**Heure d'activation et de désactivation:** Elle s'affiche pendant le réglage de la minuterie et elle est utilisée en combinaison avec le réglage du numéro de série.

**Luminosité de la flamme:** La luminosité des flammes est réglable en 5 niveaux et est affichée

### Opération manuelle

Ceci est fait en actionnant les interrupteurs situés en haut à droite du feu. L'interrupteur à bascule de veille doit d'abord être allumé, le feu va bipper pour indiquer qu'il est sous tension.

Appuyez une fois sur le bouton **O/I** pour allumer l'appareil et allumer le feu. Un voyant rouge s'allume pour indiquer que le feu est allumé.

Appuyez sur la même touche pendant 3 secondes pour activer la fonction dimm, maintenez la touche jusqu'à ce que vous obteniez le niveau de luminosité souhaité.



Appuyez une fois sur le bouton 1000W pour le réglage de température basse; appuyez deux fois pour désactiver le réglage de chaleur. Appuyez une fois sur le bouton 2000W pour le réglage haute température; appuyez deux fois pour désactiver le réglage de chaleur.

### **Opération à distance**

L'interrupteur à bascule situé en haut à droite du feu doit d'abord être allumé; le feu émettra un bip pour indiquer qu'il est sous tension.

Il faut un peu de temps au récepteur pour répondre à l'émetteur. N'appuyez pas sur les boutons plus d'une fois dans les deux secondes pour que le feu fonctionne normalement..

#### **1. étapes de démarrage**

- 1) Connectez la puissance
- 2) Allumez l'interrupteur d'alimentation
- 3) Appuyez sur la touche "ON / OFF" de la télécommande pour démarrer
- 4) Appuyez sur le bouton 1000W pour les réglages de chaleur 1000W; appuyez deux fois pour désactiver le réglage de chaleur.
- 5) Appuyez sur le bouton 2000W pour les paramètres de chauffage 2000W; appuyez deux fois pour désactiver le réglage de chaleur.
- 6) Appuyez plusieurs fois sur la touche [DIMMER] pour régler la luminosité.

#### **2. Chauffage automatique**

Appuyez sur le bouton "IC" de la télécommande pour démarrer ou quitter le chauffage automatique.

Lorsqu'il est allumé, le foyer peut changer automatiquement le mode de chauffage en fonction de la température réglée et de la température ambiante.

Au cours d'un processus de démarrage chronométré, il est possible de commencer à chauffer plus tôt que prévu.

#### **3. Réglage du jour et de l'heure**

- 1) Les réglages sont effectués sur la télécommande
- 2) Appuyez sur le bouton "DATE TIME", puis appuyez sur le bouton "▲" ou "▼" pour sélectionner le jour
- 3) Appuyez à nouveau sur le bouton "DATE TIME", puis appuyez sur "+" ou "-" pour régler l'heure
- 4) Appuyez à nouveau sur le bouton "DATE TIME", puis appuyez sur "+" ou "-" pour régler la minute
- 5) Appuyez sur le bouton "OK" pour terminer

#### **4. Réglage de la température**

La température par défaut est de 20 °C, appuyez sur "+" ou "-" sur la télécommande pour régler la température, qui va de 15 à 30 °C. Et ce réglage est seulement pour la température en mode normal, pas pour la température en mode minuterie.

REMARQUE: La température de consigne doit être supérieure à la température ambiante pour le traitement thermique.

#### **5. Réglage de la minuterie**

##### **1) Description du réglage de la minuterie**

Il y a jusqu'à 10 éléments pour le réglage de la minuterie

Chaque élément de réglage a sa date, son heure de mise sous tension et son heure d'arrêt

Le max. la durée de chaque paramètre est de 23 heures 50 minutes

La date de réglage pour chaque article peut être n'importe quel jour ou jours de la semaine

La date de chaque élément de réglage représente la date de mise sous tension

Si l'heure d'arrêt du réglage tombe le deuxième jour, il est inutile de régler la date - vous venez de régler le temps d'arrêt.

## 2) Étapes pour afficher le réglage de la minuterie

Appuyez sur le bouton "TIMER SET"

Appuyez sur "+" ou "-" pour vérifier le temps de mise sous tension de la minuterie un par un.

Pour vérifier l'heure d'arrêt, appuyez sur le bouton "▲"

Appuyez sur "+" ou "-" pour continuer à regarder

Pour supprimer l'élément de réglage actuel, appuyez sur "C" pour supprimer

## 3) Étapes pour le réglage de la minuterie

### (I) Sélectionnez les paramètres du numéro de série

Appuyez sur le bouton "TIMER SET", et le numéro de série commence à clignoter

Appuyez sur "+" ou "-" pour changer le numéro de série jusqu'à ce que vous obteniez le numéro de série que vous devez définir ou modifier.

### (II) Sélectionnez la date

Appuyez à nouveau sur le bouton "TIMER SET" et le curseur sur le côté gauche du jour commence à clignoter

Appuyez sur les touches "▲" ou "▼" pour déplacer le curseur sur le jour correspondant, appuyez sur "+" pour ajouter le jour correspondant, ou appuyez sur "-" pour supprimer le jour jusqu'à ce que vous ayez terminé la sélection de toutes les dates

### (III) Définir l'heure de début

Continuez à appuyer sur le bouton "TIMER SET", l'heure commence à clignoter

Appuyez sur "+" ou "-" pour régler l'heure

Continuez à appuyer sur le bouton "TIMER SET", les minutes clignotent

Appuyez sur "+" ou "-" pour régler les minutes

### (IV) Définir le temps d'arrêt

Appuyez ensuite sur le bouton "TIMER SET", l'affichage est éteint et l'heure commence à clignoter

Appuyez sur "+" ou "-" pour régler l'heure.

Continuez à appuyer sur le bouton "TIMER SET", les minutes clignotent

Appuyez sur "+" ou "-" pour régler les minutes

### (V) Réglez la température

Appuyez ensuite sur le bouton "TIMER SET" et le réglage de la température commence à clignoter. À ce moment, la température affichée est normalement la température réglée, qui peut être ajustée en appuyant sur "+" ou "-"

(VI) Appuyez sur le bouton "TIMER SET" pour continuer le réglage, et appuyez sur "OK" pour terminer le réglage

## 6. Interrupteur de minuterie

"TIMER ON / OFF" est de contrôler l'ouverture et la fermeture temporisées

Redémarrez la machine après la coupure de l'alimentation, le réglage d'origine est conservé, mais la date et l'heure actuelles doivent être réinitialisées

**REMARQUE 1:** Lorsque la minuterie de la semaine est sous tension, vous devez activer la fonction de chauffage, ou bien, lorsque la machine fonctionne à nouveau, seul l'effet de flamme fonctionnera.

**REMARQUE 2:** répétez les mêmes procédures pour définir plus de cycles de synchronisation si nécessaire une fois le cycle de synchronisation 01 terminé.

**REMARQUE 3:** Lorsque le réglage de la minuterie hebdomadaire est terminé, la fonction "TIMER ON / OFF" peut être efficace.

## Coupage de sécurité

Cet appareil est équipé d'une coupure de sécurité qui fonctionnera si le feu surchauffe (par exemple en raison de bouches d'aération bloquées). Pour des raisons de sécurité, le feu ne sera pas réinitialisé automatiquement.

Pour réinitialiser l'appareil, débranchez l'appareil de l'alimentation secteur pendant au moins 15 minutes. Rebranchez l'alimentation secteur et allumez l'appareil.

## Dépannage

Symptôme	Solution
Pas d'opération / pas de ventilateur.	Vérifiez si la fiche électrique est branchée dans la prise. Vérifier l'opération de coupure de sécurité.
Aucune lumière d'effet de feu.	Vérifiez le système LED par un électricien qualifié.

## Nettoyage et entretien

Attention - Toujours débrancher l'alimentation secteur avant de nettoyer le chauffage.

Pour un nettoyage général, utilisez un chiffon propre et doux - n'utilisez jamais d'abrasifs ou de nettoyeurs puissants.

L'écran de visualisation en verre doit être soigneusement nettoyé avec un chiffon doux. N'utilisez PAS de nettoyeurs pour vitres exclusifs.

Ce produit n'utilise pas d'ampoule standard pour son effet de flamme. L'appareil utilise un système LED à commande électronique pour créer l'effet, par conséquent, aucune pièce ne doit être remplacée. Il n'y a aucune pièce réparable par l'utilisateur sur cet appareil. L'appareil ne doit en aucun cas être entretenu par quelqu'un d'autre qu'un électricien qualifié.

## Disposition

À la fin de la vie utile du produit, il doit être éliminé de manière réfléchie et en toute sécurité, conformément aux réglementations locales. La fiche doit être retirée du cordon d'alimentation et le cordon d'alimentation coupé de l'appareil de chauffage

## Spécifications techniques

Approvisionnement: 220-240 V ~ 50Hz

Puissance nominale: 1800-2000W

Eclairage: ampoules LED (pas de pièces remplaçables)




Signification de poubelle à roues barrée:

Ne jetez pas les appareils électriques avec les déchets municipaux non triés, utilisez des installations de collecte séparées.

Contactez le gouvernement local pour obtenir des informations sur les systèmes de collecte disponibles. Si des appareils électriques sont jetés dans des décharges ou des décharges, des substances dangereuses peuvent s'infiltrer dans les eaux souterraines et entrer dans la chaîne alimentaire, endommageant ainsi votre santé et votre bien être.

Si vous avez la moindre question, veuillez contacter notre centre d'assistance à la clientèle. Nos coordonnées sont les suivantes:

 0033-1-84166106

 aosom@mhfrance.fr

Importé par :

MH France

2, rue Maurice Hartmann

92130 Issy-les-Moulineaux

France

Fabriqué en Chine

## Tableau des exigences en matière d'information pour les appareils de chauffage décentralisés électriques

Identificateur(s) du modèle: 820-176V90					
Article	Symbole	Valeur	Unité	Article	Unité
Production de chaleur				Type d'apport de chaleur, uniquement pour les appareils de chauffage locaux à accumulation électrique (sélectionnez-en un)	
Puissance calorifique nominale	$P_{nom}$	1,9	kW	Contrôle manuel de la charge thermique avec thermostat intégré	[Non applicable]
Puissance calorifique minimale (à titre indicatif)	$P_{min}$	0,95	kW	Contrôle manuel de la charge thermique avec rétroaction de la température ambiante et / ou extérieure	[Non applicable]
Puissance thermique continue maximale	$P_{max}$	1,9	kW	Contrôle électronique de la charge thermique avec rétroaction de la température ambiante et / ou extérieure	[Non applicable]
Consommation d'électricité auxiliaire				Sortie de chaleur assistée par ventilateur	
À la puissance calorifique nominale	$e_{l_{max}}$	0,014 (moteur de ventilateur)	kW	Type de contrôle de la puissance thermique/de la température ambiante (sélectionnez-en un)	
Au minimum de puissance thermique	$e_{l_{min}}$	0,014 (moteur de ventilateur)	kW	Sortie de chaleur à un étage et pas de contrôle de la température ambiante	
En mode veille	$e_{l_{SB}}$	0,48	W	Deux étapes manuelles ou plus, pas de contrôle de la température ambiante	
				Contrôle de la température ambiante avec thermostat mécanique	
				Avec contrôle électronique de la température ambiante	
				Contrôle électronique de la température ambiante et minuterie	
				Contrôle électronique de la température ambiante plus minuterie hebdomadaire	
				Autres options de contrôle (sélections multiples possibles)	
				Contrôle de la température ambiante, avec détection de présence	
				Contrôle de la température ambiante, avec détection de fenêtre ouverte	
				Avec option de commande à distance	
				Avec contrôle de démarrage adaptatif	
				Avec limitation du temps de fonctionnement	
				Avec capteur d'ampoule noire	
Coordonnées:	ADRESSE D'IMPORTATION: MH FRANCE 2 Rue Maurice Hartmann 92130 Issy Les Moulineaux France/ FABRIQUÉ EN CHINE				

**Note:** Pour les appareils de chauffage décentralisés électriques, l'efficacité énergétique saisonnière mesurée en matière de chauffage des locaux ne peut être inférieure à la valeur déclarée à la puissance calorifique nominale de l'unité.



IN221200510V02\_ES

**820-176V90**

**Modelo:NDY-19CRI-E**



**Calentador de la  
chimenea**



**IMPORTANTE, CONSERVAR PARA FUTURAS CONSULTAS: LEER  
DETENIDAMENTE**

**INSTALACIÓN E INSTRUCCIÓN DE USO GUÍA**

## Instrucciones de seguridad

Cuando utilice aparatos eléctricos, siempre se deben seguir las precauciones básicas de seguridad.

- No utilice el aparato hasta que esté firmemente fijado como se describe en este manual.
- Compruebe que el voltaje indicado en la placa de datos coincide con el de la red local antes de conectar el aparato a la red eléctrica.
- De vez en cuando, compruebe que el cable no esté dañado. Nunca utilice el aparato si el cable o cualquier parte del aparato presenta signos de daños.
- Si el cable de alimentación está dañado, debe ser reemplazado por un ingeniero cualificado para evitar riesgos.
- Mantenga los muebles, cortinas y otros materiales inflamables a por lo menos 1 metro del aparato.
- No deje el aparato desatendido durante el uso.
- No deje el aparato sin vigilancia mientras esté conectado a la red eléctrica.
- Manténgase fuera del alcance de los niños y no permita que utilicen este aparato.
- Este aparato está diseñado para uso doméstico y no debe utilizarse para fines industriales.
- No opere este aparato después de un mal funcionamiento o después de haber caído o dañado de alguna manera.
- Las reparaciones a electrodomésticos sólo deben ser realizadas por un electricista calificado.
- Las reparaciones incorrectas pueden poner al usuario en grave riesgo.
- No coloque el cable de red debajo de alfombras, alfombras, etc.
- No permita que el cable de red cuelgue sobre bordes afilados o entre en contacto con superficies calientes.

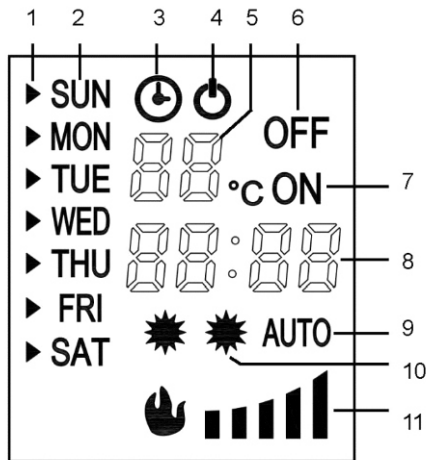


- **ADVERTENCIA:** Para evitar el sobrecalentamiento, no cubra el calentador.
- Nunca sumerja el producto en agua o cualquier otro líquido por cualquier motivo.
- No utilice este calentador en el entorno inmediato de un baño, una ducha o una piscina.
- No utilice el aparato en exteriores.
- No lo use si tiene manos mojadas.
- Nunca use el aparato sobre o cerca de superficies calientes.
- No opere con un cable dañado.
- Antes de limpiar el aparato, asegúrese de que esté desconectado de la corriente y de que esté completamente refrigerado.
- No limpie el aparato con productos químicos abrasivos.
- Nunca utilice accesorios que no sean recomendados o suministrados por el fabricante. Puede causar peligro al usuario o dañar el aparato.
- Este aparato no está diseñado para ser utilizado por personas (incluyendo niños) con capacidades físicas, sensoriales o mentales reducidas o por falta de experiencia y conocimiento, a menos que hayan recibido supervisión o instrucciones sobre el uso del aparato por una persona responsable de su seguridad.
- Los niños deben ser supervisados para asegurarse de que no juegan con el aparato.
- No levante el aparato por el panel frontal.
- El calentador no debe colocarse inmediatamente debajo de una toma de corriente.
- Mantenga la parte superior del calentador a una distancia mínima de 1000mm del techo u otros objetos para una ventilación óptima del calor.
- **PRECAUCIÓN:** Para evitar un peligro debido a un restablecimiento inadvertido del corte térmico, este aparato no debe suministrarse a través de un dispositivo de conmutación externo, como un temporizador, o conectado a un circuito que está conectado o desconectado regularmente por la empresa de servicios públicos.
- **ADVERTENCIA:** Este calentador no está equipado con un dispositivo que puede controlar la temperatura ambiente. No utilice este calentador en cuartos pequeños cuando estén ocupados por personas que no puedan salir de la habitación por su cuenta, a menos que se brinde una supervisión constante.

- Los niños menores de 3 años deben mantenerse alejados a menos que estén supervisados continuamente.
- Los niños de edades comprendidas entre 3 años y menos de 8 años sólo deben encender / apagar el aparato siempre que haya sido colocado o instalado en su posición normal de funcionamiento y hayan recibido supervisión o instrucciones sobre el uso del aparato de forma segura y hayan entendido los peligros involucrados. Los niños de 3 años y menos de 8 años no deben enchufar, regular y limpiar el aparato ni realizar el mantenimiento del usuario.
- **PRECAUCIÓN:** Algunas partes de este producto pueden calentarse mucho y causar quemaduras. Se debe prestar especial atención a los niños y las personas vulnerables.
- Este aparato puede ser utilizado por niños mayores de 8 años y personas con capacidades físicas, sensoriales o mentales reducidas o por falta de experiencia y conocimiento si se les ha dado supervisión o instrucciones sobre el uso del aparato de manera segura y entienden el Peligros involucrados.
- La limpieza y el mantenimiento del usuario no deben ser realizados por niños sin supervisión.

### Instrucciones de uso

El aparato puede ser accionado por los interruptores situados en la parte superior derecha del fuego o por el mando a distancia suministrado.



1	Indicador	2	Día	3	Temporizador
4	Standby	5	Display de temperatura/número de serie	6	Tiempo OFF
7	Tiempo ON	8	Display de tiempo/temperatura	9	Control automático de calefacción
10	Nivel de calefacción	11	Luminosidad de llama		

**Indicador de Temperatura y Número de Serie:** Este normalmente indica la temperatura ambiente; Cuando se configura una temperatura, la temperatura establecida es mostrada; Cuando se configura el temporizador, el número de serie es mostrado.

**Indicador de Tiempo / Temperatura:** Normalmente este indicador muestra el tiempo actual; Cuando se configura el temporizador, el tiempo establecido es mostrado. Al configurar la temperatura del temporizador semanal, la temperatura establecida es mostrada.

**Tiempo "encendido" y Tiempo "apagado":** Se muestra cuando se configure el temporizador y es usado en combinación con la configuración de número de serie.

**Luminosidad de Llama:** La luminosidad de las llamas dispone de 5 niveles y su ajuste se indica en la pantalla.

## Operation Manual

La operación manual se hace cuando se opera por medio de interruptores localizados en la parte superior derecho del fuego. El interruptor de reserva debe encenderse primero, el fuego emitirá un pitido indicando que está encendido.

Presione el botón **O/I** una vez para encender el aparato y el efecto de fuego. Una luz indicadora roja se mostrará para indicar que el fuego está ENCENDIDO.

Pulse el mismo botón durante 3 segundos para activar el modo atenuación. Mantenga el botón pulsado hasta conseguir la luz deseada.

Presione el botón **1000 W** una vez para establecer el valor bajo de temperatura; presione dos veces para para desactivar la configuración de temperatura. Presione el botón **2000 W** una vez para configurar la temperatura alta; presione dos veces para desactivar la configuración de temperatura.

## Operación Remota

El interruptor de reserve localizado en la parte superior derecha del fuego debe encenderse primero; el fuego emitirá un pitido para indicar que está encendido.

Toma un poco de tiempo para que el receptor responda al transmisor. No presione los botones más de una vez dentro de dos segundos para obtener una operación normal del fuego.

### 1. Pasos de Arranque

- 1) Conecte el suministro de energía.
- 2) Encienda el interruptor de energía.
- 3) Presione el botón "ENCENDIDO/APAGADO" en el control para iniciar.
- 4) Presione el botón **1000 W** para la configuración de temperatura a 1000 W; presione dos veces para desactivar la configuración de temperatura.
- 5) Presione el botón de **2000 W** para la configuración de temperatura a 2000 W; presione dos veces para desactivar la configuración de temperatura.
- 6) Pulse varias veces el botón [DIMMER] para ajustar el brillo.

### 2. Calefacción Automática

Presione el botón "IC" en el control remoto para iniciar o desactivar la calefacción automática.

Cuando se ha encendido, la chimenea puede cambiar automáticamente el modo de calefacción dependiendo de la temperatura establecida y la temperatura ambiente.

Durante un proceso de inicio temporizado, es posible iniciar la calefacción antes de lo previsto.

### 3. Configuración de día y tiempo.

- 1) Esta configuración se realiza en el control remoto.
- 2) Presione el botón de "FECHA TIEMPO", luego presione los botones de "▲" o "▼" para seleccionar el día.
- 3) Presione el botón de "FECHA TIEMPO" otra vez, presione "+" o "-" para establecer la hora.
- 4) Presione el botón de "FECHA TIEMPO" otra vez, luego presione "+" o "-" para establecer los minutos.
- 5) Presione el botón "OK" para completar la configuración.

### 4. Configuración de Temperatura

La temperatura preestablecida es de 20 °C, presione "+" o "-" en el control remoto para establecer la temperatura, la cual varía desde 15 a 30 °C. Y esta configuración solo es para la temperatura en el modo normal, no para la temperatura en el modo de temporizador.

**NOTA:** La temperatura establecida debe ser más alta que la temperatura ambiente para la temperatura en uso.

### 5. Configuración del Temporizador

#### 1) Descripción de la configuración del temporizador

Hay hasta un máximo de 10 opciones de configuración del temporizador.

Cada opción de configuración tiene su fecha, tiempo de inicio y tiempo de apagado. La duración máxima de cada opción de configuración es 23 horas 50 minutos.



La fecha de configuración de cada opción puede ser cualquier día o días de la semana. La fecha en cada opción de configuración representa la fecha de tiempo de inicio.

Si el tiempo de apagado de la configuración falla el segundo día, no es necesario configurar la fecha – solo el tiempo de apagado.

## **2) Pasos para ver la configuración del temporizador**

Presione el botón "CONFIGURAR TEMPORIZADOR".

Presione "+" o "-" para revisar el tiempo de inicio del temporizador uno por uno.

Para revisar el tiempo de apagado, presione el botón "▲".

Presione "+" o "-" para continuar viendo la configuración.

Para borrar la opción actual de configuración, presione "C" para borrar.

## **3) Pasos para la configuración del temporizador**

### **(I) Seleccione la configuración del número de serie.**

Presione el botón "CONFIGURAR TEMPORIZADOR", y el número de serie empieza a parpadear.

Presione "+" o "-" para cambiar el número de serie hasta que aparezca el número de serie que se desea configurar o modificar.

### **(II) Selección de Fecha**

Presione el botón de " CONFIGURAR TEMPORIZADOR" una vez más, y el cursor en el lado izquierdo de Día empieza a parpadear.

Presione los botones "▲" o "▼" para mover el cursor hacia el día correspondiente, presione "+" para agregar el día correspondiente, o presione "-" para borrar el día hasta que la selección de todas las fechas se ha completado.

### **(III) Configure el tiempo de inicio**

Continúe presionando el botón "CONFIGURAR TEMPORIZADOR", la hora empieza a parpadear.

Presione "+" o "-" para ajustar la hora.

Continúe presionando el botón "CONFIGURAR TEMPORIZADOR", el minute empieza a parpadear.

Presione "+" o "-" para ajustar el minuto.

### **(IV) Configure el tiempo de apagado**

Presione el botón "CONFIGURAR TEMPORIZADOR", la pantalla se apaga y la hora empieza a parpadear.

Presione "+" o "-" para ajustar la hora.

Continúe presionando el botón de "CONFIGURAR TEMPORIZADOR", el minuto empieza a parpadear.

Presione "+" o "-" para ajustar el minuto.

### **(V) Configure la temperatura**

Presione el botón "CONFIGURAR TEMPORIZADOR", y la opción de temperatura empieza a parpadear. En este momento, la temperatura mostrada es la temperatura normal configurada, la cual puede ser ajustada presionando "+" o "-".

**(VI)** Presione el botón "CONFIGURAR TEMPORIZADOR" para continuar con la configuración, luego presione "OK" para completar la configuración.

## **6. Interruptor de Temporizador**

"TEMPORIZADOR ENCENDIDO / APAGADO" es para controlar el tiempo de apertura y cierre.

Reinicie la máquina luego de cortar el suministro de energía, la configuración original se mantiene pero la fecha y tiempo actual se deben establecer de nuevo.

**NOTA 1:** Cuando el temporizador de semana se enciende, debería encender la función de calefacción, si no cuando la máquina esté de nuevo en funcionamiento, solo el efecto de llama funcionará.

**NOTA 2:** Repita los mismos procedimientos para establecer más ciclos de tiempo si es necesario después de que termine el ciclo de tiempo 01.

**NOTA 3:** Cuando termina el ajuste del temporizador semanal, la función "TEMPORIZADOR ENCENDIDO / APAGADO" puede ser efectiva.

## **Desconexión de Seguridad**

Este aparato viene equipado con un sistema de desconexión de seguridad el cual operará si el fuego sobrecalienta (por ejemplo, debido a orificios de ventilación bloqueados).

Por razones de seguridad, el fuego no se reiniciará automáticamente.

Para reiniciar el equipo, desconecte el aparato del suministro de energía principal por lo menos 15 minutos.

Reconecte el suministro de energía y encienda nuevamente el aparato.

### Solución de Problemas

Síntoma	Solución
No funciona/ no ventilador.	Revise si el conector de energía ha sido conectado en el tomacorriente. Revise la operación de corte de seguridad.
No hay luz de efecto de fuego.	Revise el sistema de LEDs por un electricista calificado.

### Limpieza y Mantenimiento

Advertencia: Desconecte siempre de la red eléctrica antes de limpiar el calentador.

Para su limpieza general, use un plumero de limpieza suave, nunca use abrasivos o limpiadores fuertes.

La pantalla de visualización de vidrio debe limpiarse cuidadosamente con un paño suave. NO use limpiadores de vidrio patentados.

Este aparato no usa una bombilla estándar para su efecto de llama. El dispositivo utiliza un sistema LED controlado electrónicamente para crear el efecto, por lo que no es necesario reemplazar las piezas. No hay piezas reparables por el usuario en este dispositivo. Bajo ninguna circunstancia se debe reparar el aparato por nadie más que un electricista calificado.

### Eliminación de Desechos

Al final de la vida útil del producto, debe desecharse de forma cuidadosa y segura de acuerdo con las reglamentaciones emitidas por las autoridades locales. El enchufe debe ser retirado del cable de suministro de energía y el cable de alimentación separado del producto.

### Especificación Técnica

Voltaje / Frecuencia: 220-240 V ~ 50 Hz

Potencia Nominal: 1800-2000 W

Tipo de Iluminación: Bombillas LED (componentes no reemplazables)




El significado del cubo de basura con ruedas tachadas:

No deseché electrodomésticos como basura municipal sin clasificar, use instalaciones de recolección separadas. Póngase en contacto con su gobierno local para obtener información sobre los sistemas de recolección disponibles.

Si los electrodomésticos se desechan en vertederos o basureros, las sustancias peligrosas pueden filtrarse a las aguas subterráneas y entrar en la cadena alimenticia, lo que causaría daños de salud y bienestar.

Si tiene alguna pregunta, comuníquese con nuestro Centro de Atención al Cliente.

Nuestros datos de contacto son los siguientes:

 0034-931294512

 [atencioncliente@aosom.es](mailto:atencioncliente@aosom.es)

IMPORTADOR:  
SPANISH AOSOM, S.L.  
C/ ROC GROS, N° 15. 08550, ELS HOSTALET DE BALENYÀ, SPAIN.  
B66295775  
[WWW.AOSOM.ES](http://WWW.AOSOM.ES)  
[ATENCIONCLIENTE@AOSOM.ES](mailto:ATENCIONCLIENTE@AOSOM.ES)  
TEL: 931294512  
HECHO EN CHINA

## Tabla de requisitos de información para aparatos de calefacción local eléctricos

Identificador(es) del modelo: 820-176V90					
Artículo	Símbolo	Valor	Unidad	Artículo	Unidad
Salida de calor				Tipo de entrada de calor, solo para calentadores de espacio locales de almacenamiento eléctrico (seleccione uno)	
Potencia calorífica nominal	$P_{nom}$	1,9	kW	Control de carga de calor manual, con termostato integrado	[No aplica]
Potencia calorífica mínima (indicativa)	$P_{min}$	0,95	kW	Control manual de carga de calor con retroalimentación de temperatura ambiente y/o exterior	[No aplica]
Máxima salida de calor continuo	$P_{máx.c}$	1,9	kW	Control electrónico de carga de calor con retroalimentación de temperatura ambiente y/o exterior	[No aplica]
<b>Consumo de electricidad auxiliar</b>				<b>Salida de calor asistida por ventilador</b>	[No aplica]
A potencia calorífica nominal	$eI_{max}$	0,014 (motor de ventilador)	kW	Tipo de salida de calor/control de temperatura ambiente (seleccione uno)	
A la salida de calor mínima	$eI_{min}$	0,014 (motor de ventilador)	kW	Salida de calor de una sola etapa y sin control de temperatura ambiente	[no]
En modo de espera	$eI_{SB}$	0,48	W	Dos o más etapas manuales, sin control de temperatura ambiente	[no]
				Con termostato mecánico control temperatura ambiente	[no]
				Con control electrónico de la temperatura ambiente	[no]
				Control electrónico de temperatura ambiente más temporizador de día	[no]
				Control electrónico de temperatura ambiente más temporizador semanal	[sí]
				<b>Otras opciones de control (múltiples selecciones posibles)</b>	
				Control de temperatura ambiente, con detección de presencia	[no]
				Control de temperatura ambiente, con detección de ventana abierta	[no]
				Con opción de control a distancia	[no]
				Con control de arranque adaptativo	[sí]
				Con limitación de tiempo de trabajo	[no]
				Con sensor de bombilla negra	[no]
Datos de contacto	SPANISH AOSOM, S.L. C/ Roc Gros, nº15. 08550 Els Hostalets de Balenyà (Barcelona), España 0034-931294512 (L-V de 8:30 a 17:30 h) atencioncliente@aosom.es Aosom.es				

### Observación:

En el caso de los calentadores locales eléctricos, la eficiencia energética estacional medida de la calefacción de espacios no puede ser diferente que el valor declarado a la potencia calorífica nominada la unidad.



IN221200510V02\_IT

**820-176V90**

**Modello:NDY-19CRI-E**



**Caminetto elettrico  
riscaldante**



**IMPORTANTE! CONSERVARE IL PRESENTE MANUALE PER FUTURO  
RIFERIMENTO E LEGGERLO ATTENTAMENTE**

**ISTRUZIONI DI INSTALLAZIONE E MANUALE D'USO**

### Importanti istruzioni di sicurezza

- Leggere attentamente tutte le istruzioni prima di utilizzare questo prodotto.
- Assicurarsi che l'etichetta di taratura sulla targhetta corrisponda alla tensione principale. Se non la vedi, prendere contatto con il rivenditore e non collegare l'apparecchio.
- Non lasciare mai l'apparecchio in assenza di sorveglianza durante l'uso.
- Se si deve partire anche per un breve momento, spegnere l'apparecchio.
- Tenere fuori dalla portata dei bambini e non permettere loro di utilizzare quest'apparecchio.
- Utilizzare l'apparecchio solo a fini domestici e come indicato in queste istruzioni.
- Controllare di tanto in tanto il cavo per danni. Non usare mai l'apparecchio se il cavo o qualsiasi altra parte dell'apparecchio mostra segni di danno.
- Se il cavo di alimentazione è danneggiato, deve essere sostituito dal produttore, da un servizio di assistenza o da personale analogo per evitare rischi.
- Assicurarsi che il cavo di connessione non tocchi le superfici calde.

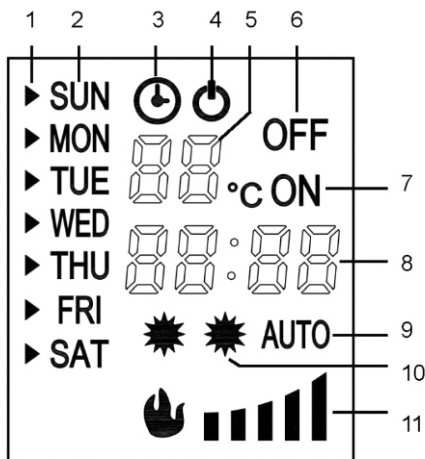


- **AVVERTENZA:** per evitare il surriscaldamento, non coprire il riscaldatore.
- Mantenere l'apparecchio almeno 15 cm (6 pollici) dalle pareti e qualsiasi altra cosa, per consentire una buona circolazione dell'aria.
- Non utilizzare l'apparecchio all'aperto
- Non utilizzare se si hanno mani bagnate.
- Non utilizzare mai l'apparecchio sopra o vicino a superfici calde.
- Non spostare mai l'apparecchio tirando il cavo.
- Prima di pulire l'apparecchio, assicurarsi che sia scollegato dalla corrente e che si sia completamente raffreddato.
- Non pulire l'apparecchio con prodotti chimici abrasivi.
- Non usare mai accessori che non siano raccomandati o forniti dal costruttore. Può causare pericolo all'utente o danni all'apparecchio
- Non posare mai il cavo di alimentazione sotto il tappeto.
- Non utilizzare mai il riscaldatore per asciugare i vestiti o altri oggetti simili.
- Il riscaldatore non deve trovarsi immediatamente sotto una presa di corrente.
- Questo riscaldatore non deve essere utilizzato con un cavo di prolunga.
- Non utilizzare questo riscaldatore con un programmatore, timer o qualsiasi altro dispositivo che accenda automaticamente il riscaldatore, poiché esiste un rischio di incendio se il riscaldatore è coperto o posizionato in modo errato.
- Non utilizzare questo riscaldatore nelle immediate vicinanze di un bagno, una doccia o una piscina.
- **ATTENZIONE:** per evitare rischi dovuti al reset involontario del ritaglio termico, questo apparecchio non deve essere fornito tramite un dispositivo di commutazione esterno, ad esempio un temporizzatore o collegato ad un circuito regolarmente acceso e spento dall'utente.
- Questo apparecchio può essere utilizzato da bambini di età superiore ai 8 anni e persone con ridotte capacità fisiche, sensoriali o mentali o mancanza di esperienza e conoscenza se sono stati sottoposti a supervisione o istruzioni sull'uso dell'apparecchio in modo sicuro e se comprendono i rischi coinvolti. I bambini non devono giocare con l'apparecchio. Pulizia e manutenzione da parte dell'utente non devono essere fatte da bambini senza sorveglianza.
- I bambini di meno di 3 anni vanno tenuti lontani dal prodotto a meno che non siano sottoposti a un controllo continuo.
- I bambini di età compresa tra i 3 anni e gli 8 anni possono accendere / spegnere l'apparecchio solo se è stato collocato o installato nella sua normale posizione di funzionamento e ed solo se i bambini sono stati sottoposti a supervisione o istruzioni sull'utilizzo dell'apparecchio in modo sicuro e se capiscono i rischi coinvolti. Bambini di età compresa tra i 3 anni e gli 8 anni non devono collegare, regolare e pulire l'apparecchio o eseguire manutenzione.
- **ATTENZIONE** - Alcune parti di questo prodotto possono diventare molto calde e provocare ustioni. Particolare attenzione deve essere prestata in presenza di bambini e persone vulnerabili.

- **AVVERTENZA:** Questo riscaldatore non è dotato di un dispositivo per controllare la temperatura ambiente. Non utilizzare questo riscaldatore in piccole stanze occupate da persone che non sono in grado di lasciare la stanza per conto proprio, a meno che non sia previsto un controllo costante.
- Per quanto riguarda le istruzioni per la sostituzione della lampadina, fare riferimento al paragrafo seguente del manuale.

### Istruzioni per l'uso

L'apparecchio può essere azionato sia mediante gli interruttori posti sul lato superiore destro del caminetto sia usando il telecomando in dotazione.



1	Cursor	2	Tempo diurno	3	Timer
4	Pausa	5	Visualizzazione temperatura/numero di serie	6	Timer disattivato
7	Timer acceso	8	Visualizzazione tempo / temperatura:	9	Controllo automatico del riscaldamento
10	Posizione di riscaldamento	11	Luminosità della fiamma		

**Visualizzazione della temperatura e del numero di serie:** normalmente visualizza la temperatura della stanza; mentre s'imposta la temperatura, viene visualizzata la temperatura di impostazione; Quando si imposta il contaminuti, viene visualizzato il numero di serie.

**Visualizzazione tempo / temperatura:** normalmente visualizza l'ora corrente; mentre s'imposta il contaminuti, viene visualizzata l'ora di impostazione. Quando s'imposta la temperatura del contaminuti settimanale, viene visualizzata la temperatura di impostazione.

**Tempo di accensione e spegnimento:** viene visualizzato durante l'impostazione del timer e viene utilizzato in combinazione con l'impostazione del numero di serie.

**Luminosità delle fiamme:** La luminosità delle fiamme può essere regolata e mostrata in 5 livelli

### Operazione manuale

Questo viene effettuata azionando gli interruttori situati nella parte in alto a destra del fuoco. L'interruttore a bilanciere di standby deve essere acceso per la prima volta, l'incendio emetterà un segnale acustico per indicare che è acceso.

Premete il tasto **O/I** una volta per attivare l'apparecchio e l'effetto fiamma. Una spia rossa indicherà che l'effetto fiamma è acceso. Premete per tre secondi il tasto **O/I** per attivare la modalità di variazione della luminosità [dimmer mode], tenete premuto il tasto fino al raggiungimento dell'intensità desiderata.

Premere il pulsante 1000W una volta per l'impostazione di calore basso; premere due volte per disattivare l'impostazione del riscaldamento. Premere una volta il pulsante 2000W per l'impostazione di calore alto; premere due volte per disattivare l'impostazione del riscaldamento.

### **Operazione remota**

L'interruttore a bilanciere di standby situato nella parte in alto a destra del fuoco deve essere prima acceso; il fuoco emetterà un segnale acustico per indicare che è acceso.

Ci vuole un po' di tempo prima che il ricevitore risponda al trasmettitore. Non premere i pulsanti più di una volta entro due secondi perché il fuoco funzioni normalmente.

### **1. Passi di avvio**

- 1) Collegare l'alimentazione
- 2) Accendere l'interruttore di alimentazione
- 3) Premere il tasto "ON / OFF" del telecomando per avviare
- 4) Premere il pulsante 1000W per le impostazioni di riscaldamento 1000W; premere due volte per disattivare l'impostazione del riscaldamento.
- 5) Premere il pulsante 2000W per le impostazioni di riscaldamento 2000W; premere due volte per disattivare l'impostazione del riscaldamento.
- 6) Premete il tasto LUMINOSITÀ [dimmer] per attivare la modalità di regolazione della luminosità, continuate a premere per alzare e abbassare l'intensità della luce.

### **2. Riscaldamento automatico**

Premere il tasto "IC" sul telecomando per avviare o uscire dal riscaldamento automatico.

Quando è acceso, il caminetto può cambiare automaticamente la modalità di riscaldamento in base alla temperatura impostata e alla temperatura ambiente.

Durante un processo di avvio a tempo, è possibile iniziare il riscaldamento prima del previsto.

### **3. Impostazione del giorno e dell'ora**

- 1) Le impostazioni vengono eseguite sul telecomando
- 2) Premere il pulsante "DATA ORA", quindi premere il tasto "▲" o "▼" per selezionare il giorno
- 3) Premere nuovamente il pulsante "DATA ORA", quindi premere "+" o "-" per impostare l'ora
- 4) Premere nuovamente il pulsante "DATA ORA", quindi premere "+" o "-" per impostare i minuti
- 5) Premere il pulsante "OK" per completare

### **4. Impostazione della temperatura**

La temperatura predefinita è 20 °C, premere "+" o "-" sul telecomando per impostare la temperatura, che varia da 15 a 30 °C. E questa impostazione è solo per la temperatura nella modalità normalmente, non per la temperatura nella modalità contaminati.

**NOTA:** la temperatura impostata deve essere superiore alla temperatura ambiente per il riscaldamento.

### **5. Impostazione del contaminati**

#### **1) Descrizione dell'impostazione dei contaminati**

Sono disponibili fino a 10 voci per l'impostazione dei contaminati

Ogni voce d'impostazione ha la sua data, il tempo di accensione e il tempo di spegnimento.

La durata massima di ciascuna voce d'impostazione è di 23 ore e 50 minuti

La data d'impostazione per ogni articolo può essere qualsiasi giorno o giorno della settimana.

La data in ciascuna voce d'impostazione rappresenta la data di accensione.

Se il tempo di spegnimento dell'impostazione cade il secondo giorno, non è necessario impostare la data - è sufficiente impostare il tempo di spegnimento.

#### **2) Passaggi per visualizzare le impostazioni dei contaminati**

Premere il tasto "TIMER SET"

Premere "+" o "-" per controllare uno per uno l'orario di accensione del timer.

Per controllare il tempo di spegnimento, premere il tasto "▲"

Premere "+" o "-" per continuare la visualizzazione

Per eliminare la voce corrente dell'impostazione, premere "C" per eliminare

### **3) Passi per l'impostazione del contaminuti**

#### **(I) Selezionare le impostazioni del numero di serie**

Premere il pulsante "IMPOSTAZIONE CONTAMINUTI" e il numero di serie inizia a lampeggiare  
Premere "+" o "-" per modificare il numero di serie fino a ottenere il numero di serie che è necessario impostare o modificare.

#### **(II) Seleziona la data**

Premere nuovamente il tasto "IMPOSTAZIONE CONTAMINUTI" e il cursore sul lato sinistro del giorno inizia a lampeggiare.

Premere i tasti "▲" o "▼" per spostare il cursore sul giorno corrispondente, premere "+" per aggiungere il giorno corrispondente o premere "-" per cancellare il giorno fino a quando non si è completata la selezione di tutte le date.

#### **(III) Imposta l'ora di inizio**

Continuare a premere il tasto "IMPOSTAZIONE CONTAMINUTI", l'ora inizia a lampeggiare

Premere "+" o "-" per regolare l'ora

Continuare a premere il tasto "IMPOSTAZIONE CONTAMINUTI", il minuto inizia a lampeggiare

Premere "+" o "-" per regolare i minuti

#### **(IV) Imposta il tempo di spegnimento**

Quindi premere il pulsante "IMPOSTAZIONE CONTAMINUTI", il display è spento e l'ora inizia a lampeggiare

Premere "+" o "-" per regolare l'ora.

Continuare a premere il tasto "IMPOSTAZIONE CONTAMINUTI", il minuto inizia a lampeggiare

Premere "+" o "-" per regolare i minuti

#### **(V) Imposta la temperatura**

Quindi premere il tasto "IMPOSTAZIONE CONTAMINUTI" e la temperatura impostata inizia a lampeggiare. In questo momento, la temperatura visualizzata è normalmente la temperatura impostata, che può essere regolata premendo «+» o «-»

#### **(VI) Premere il tasto "IMPOSTAZIONE CONTAMINUTI" per continuare l'impostazione e premere "OK" per completare l'impostazione**

### **6. Interruttore del contaminuti**

"TIMER ON / OFF" serve per controllare l'apertura e la chiusura temporizzate.

Riavvia la macchina dopo che l'alimentazione è stata interrotta, l'impostazione originale viene mantenuta, ma la data e l'ora correnti devono essere ripristinate.

**NOTA 1:** Quando il contaminuti settimanale è acceso, è necessario attivare la funzione di riscaldamento, oppure quando la macchina sta funzionerà di nuovo, sarà attivo solamente l'effetto fiamma.

**NOTA 2:** ripetere le stesse procedure per impostare, se necessario, più cicli di temporizzazione dopo il termine del ciclo numero 01.

**NOTA 3:** al termine dell'impostazione del timer settimanale, la funzione "TIMER ON / OFF" può essere attivata.

### **Auto bloccaggio di sicurezza**

Questo apparecchio è dotato di un dispositivo di sicurezza che funzionerà se il fuoco si surriscalda (ad esempio a causa di prese d'aria ostruite). Per motivi di sicurezza, il fuoco NON si ripristinerà automaticamente.

Per ripristinare l'apparecchio, scollegare l'apparecchio dalla rete elettrica per almeno 15 minuti. Ricollegare all'alimentazione di rete e accendere l'apparecchio.



## Risoluzione dei problemi

Sintomo	Soluzione
Nessuna operazione / nessuna ventola.	Controllare se è stata inserita la spina nella presa elettrica. Controllare l'auto bloccaggio di sicurezza.
Nessuna luce ad effetto fuoco.	Fare controllare il sistema LED da un elettricista qualificato

## Pulizia e manutenzione

Avvertenza - Scollegare sempre il riscaldatore dalla rete elettrica prima di pulirlo.

Per la pulizia generale utilizzare uno straccio morbido e pulito - non usare mai abrasivi o detergenti aggressivi.

Lo schermo di visualizzazione del vetro deve essere pulito accuratamente con un panno morbido. NON usare detergenti per vetro di proprietà.

Questo prodotto non utilizza una lampadina standard per il suo effetto fiamma. L'apparecchio utilizza un sistema a LED a controllo elettronico per creare l'effetto, quindi non è necessario sostituire parti. Non ci sono parti riparabili dall'utente su questo apparecchio. L'apparecchio può essere riparato solamente da un elettricista qualificato.

## Smaltimento

**Alla fine della vita utile del prodotto dovrebbe essere smaltito in modo ponderato e sicuro in conformità con le normative delle autorità locali. La spina deve essere rimossa dal cavo di alimentazione e il cavo di alimentazione tagliato dal riscaldatore.**

## Specifica tecnica

Alimentazione: 220-240V ~ 50Hz

Potenza nominale: 1800-2000W

Illuminazione: lampadine a LED (senza parti sostituibili)



Significato della pattumiera a ruote barrata:

Non smaltire gli apparecchi elettrici come rifiuti urbani non differenziati, utilizzare impianti di raccolta separati.

Contattare il governo locale per informazioni sui sistemi di raccolta disponibili.

Se gli impianti elettrici vengono smaltiti in discarica o discariche, le sostanze pericolose possono penetrare nelle falde acquifere e entrare nella catena alimentare, danneggiando la salute e il benessere.

In caso di dubbio, si prega di contattare il nostro centro assistenza clienti.

I nostri dettagli di contatto sono di seguito:



0039-0249471447



clienti@aosom.it

IMPORTATO DA:

AOSOM Italy srl

Centro Direzionale Milanofiori

Strada 1 Palazzo F1

20057 Assago (MI)

P.I.: 08567220960

FATTO IN CINA

## Requisiti d'informazione per gli apparecchi di riscaldamento locali elettrici

Identificatore (i) del modello: 820-176V90					
Oggetto	Simbolo	Valore	Unità	Oggetto	Unità
<b>Potenza termica</b>			<b>Questo tipo di ingresso di calore è solo per gli apparecchi di riscaldamento locali per lo stoccaggio elettrico (selezionare uno)</b>		
Potenza termica nominale	$P_{nom}$	1,9	kW	controllo della carica termica manuale, con termostato integrato	[Non applicabile]
Potenza termica minima (indicativa)	$P_{min}$	0,95	kW	controllo manuale della carica termica con risposta sulla temperatura ambiente e / o esterno	[Non applicabile]
Massima potenza termica continua	$P_{max,c}$	1,9	kW	controllo elettronico della carica termica con risposta sulla temperatura ambiente e / o esterno	[Non applicabile]
<b>Consumo di energia ausiliaria</b>			potenza termica ventilata		[Non applicabile]
Alla potenza termica nominale	$eI_{max}$	0,014 (motore della ventola)	kW	<b>Tipo di potenza termica / controllo della temperatura ambiente (selezionare uno)</b>	
Alla potenza termica minima	$eI_{min}$	0,014 (motore della ventola)	kW	emissione di calore monostadio e controllo della temperatura ambiente	[no]
In modalità standby	$eI_{SB}$	0,48	W	Due o più fasi manuali, senza controllo della temperatura ambiente	[no]
				con controllo della temperatura ambiente del termostato meccanico	[no]
				con controllo elettronico della temperatura ambiente	[no]
				controllo elettronico della temperatura ambiente e contaminuti giornaliero	[no]
				controllo elettronico della temperatura ambiente e contaminuti settimanale	[si]
<b>Altre opzioni di controllo (più selezioni possibili)</b>					
				controllo della temperatura ambiente, con rilevamento di presenza	[no]
				controllo della temperatura ambiente, con rilevamento finestra aperta	[no]
				con opzione di controllo a distanza	[no]
				con comando di avviamento adattivo	[si]
				con limitazione tempo di lavoro	[no]
				con sensore a bulbo nero	[no]
Dettagli del contatto:	IMPORTATO DA: AOSOM Italy srl Centro Direzionale Milanofiori Strada 1 Palazzo F1 20057 Assago (MI) P.I.: 08567220960 FATTO IN CINA				
<b>Osservazioni:</b>					
Per gli apparecchi elettrici per il riscaldamento di un ambiente ristretto, l'efficienza energetica stagionale del riscaldamento dell'ambiente $\eta_s$ misurata non può essere minore del valore dichiarato alla potenza termica nominale dell'unità.					



The image shows a white rectangular area with a black border. At the top, there is a solid black horizontal bar. The bottom edge of the white area is curved upwards on the right side. In the bottom center of the white area, the word "Aosom" is written in a simple, black, sans-serif font.

Aosom