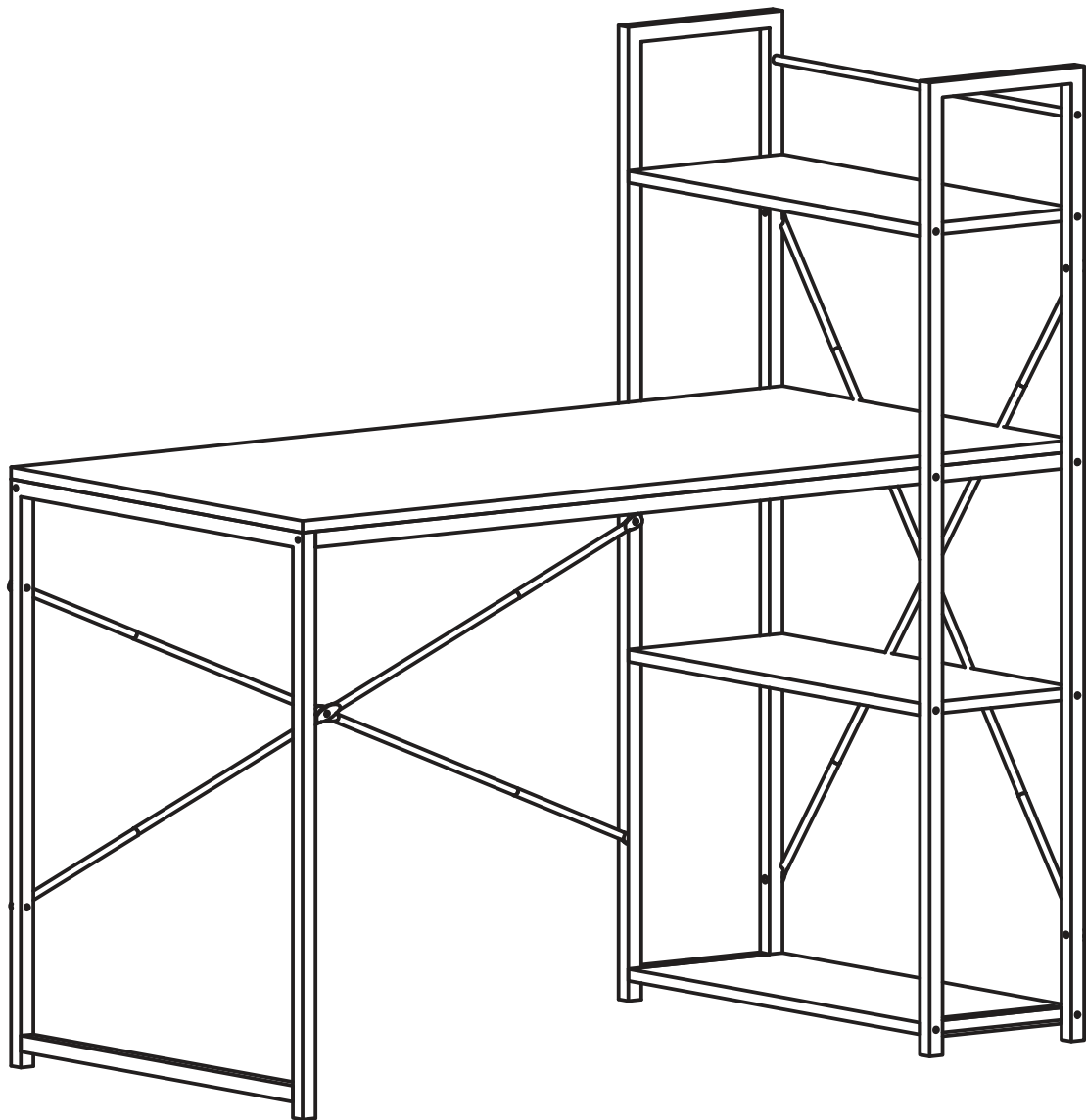




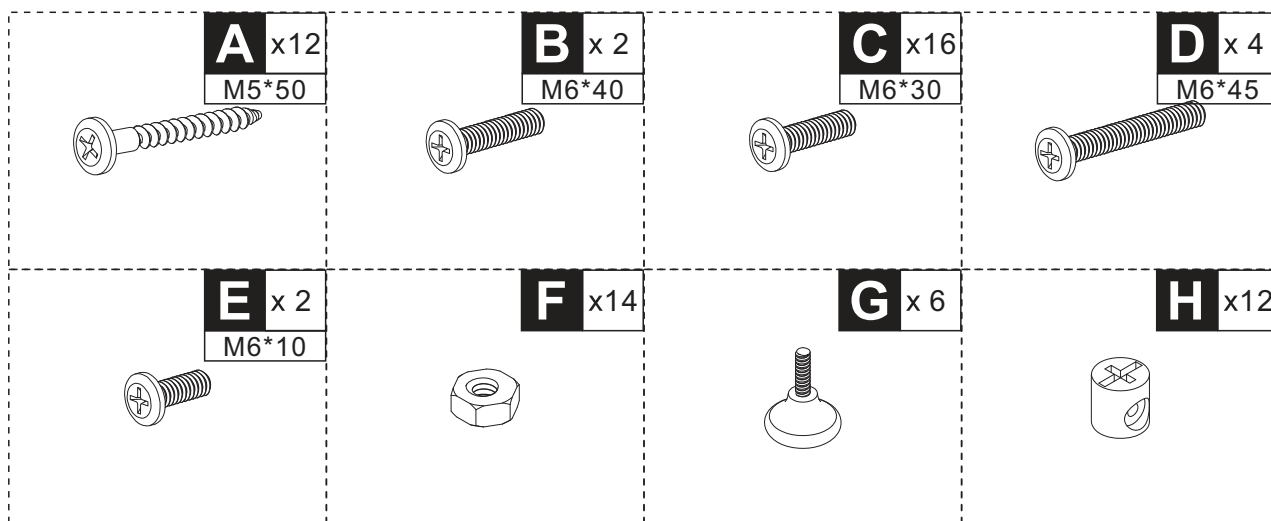
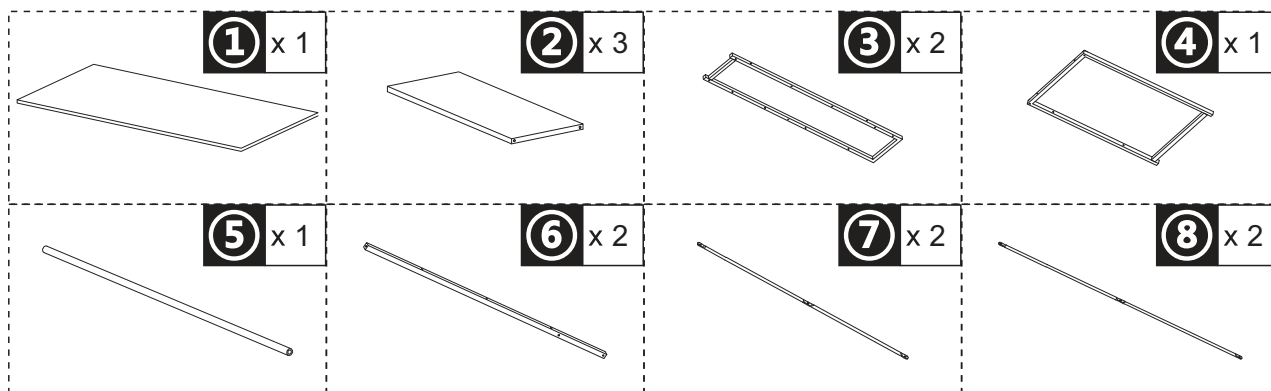
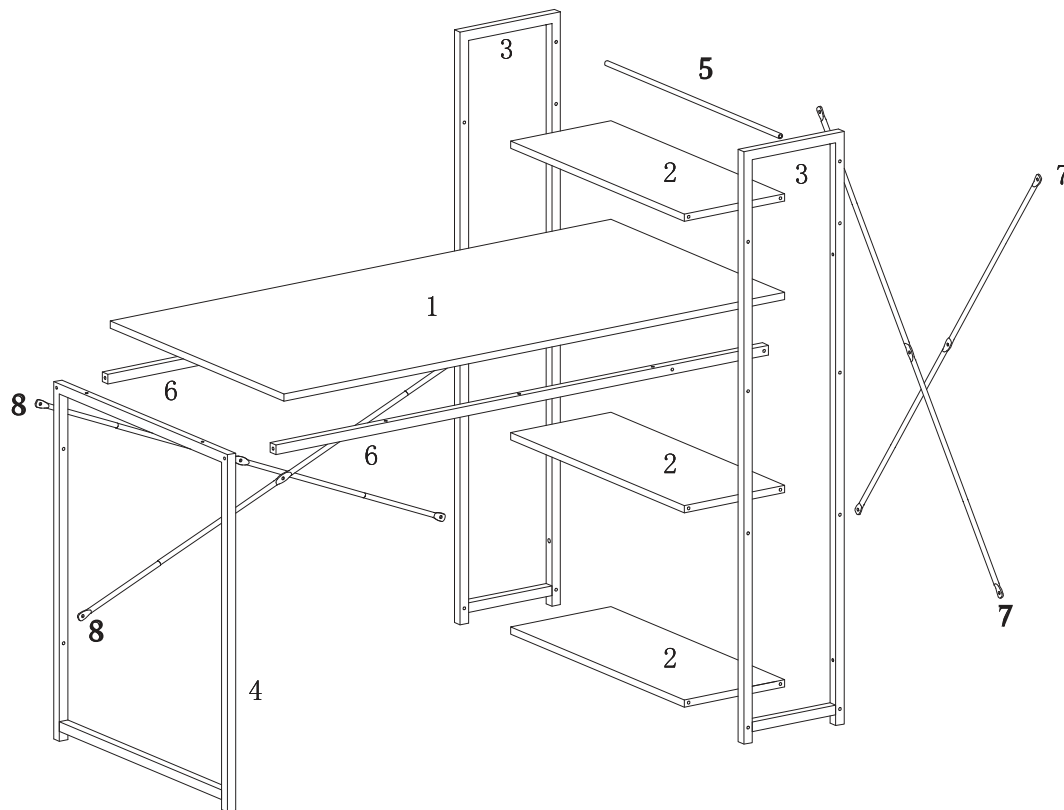
INcqc016V02_GL

833-397



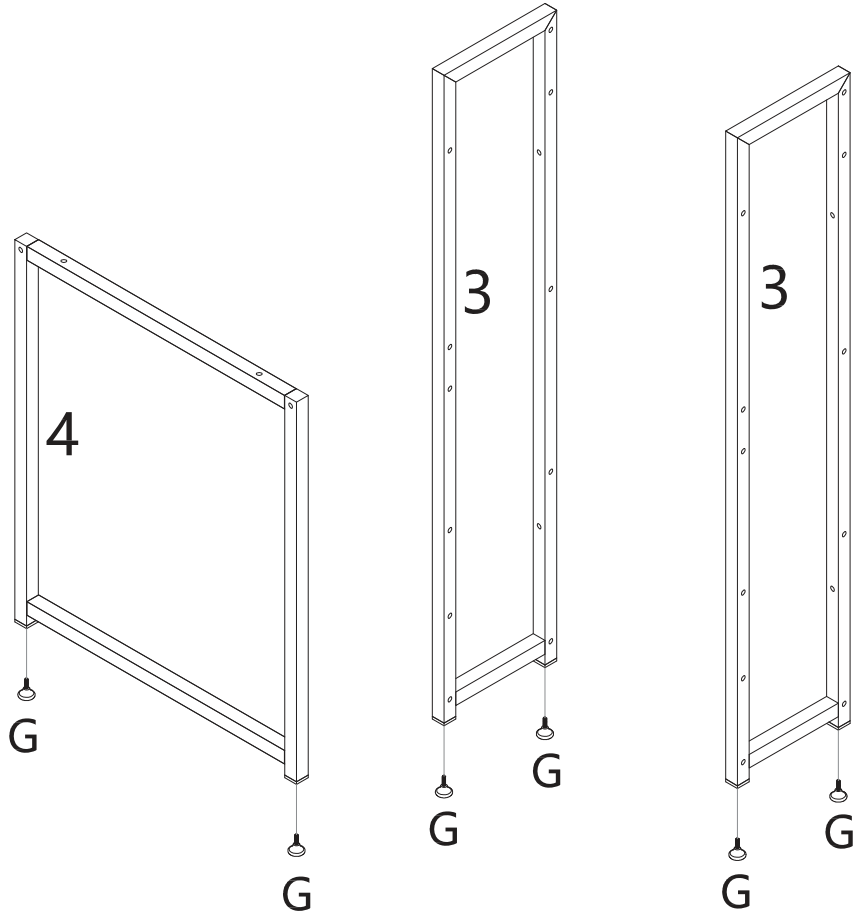
IMPORTANT, RETAIN FOR FUTURE REFERENCE: READ CAREFULLY

ASSEMBLY & INSTRUCTION MANUAL



G x 6

01



A x12

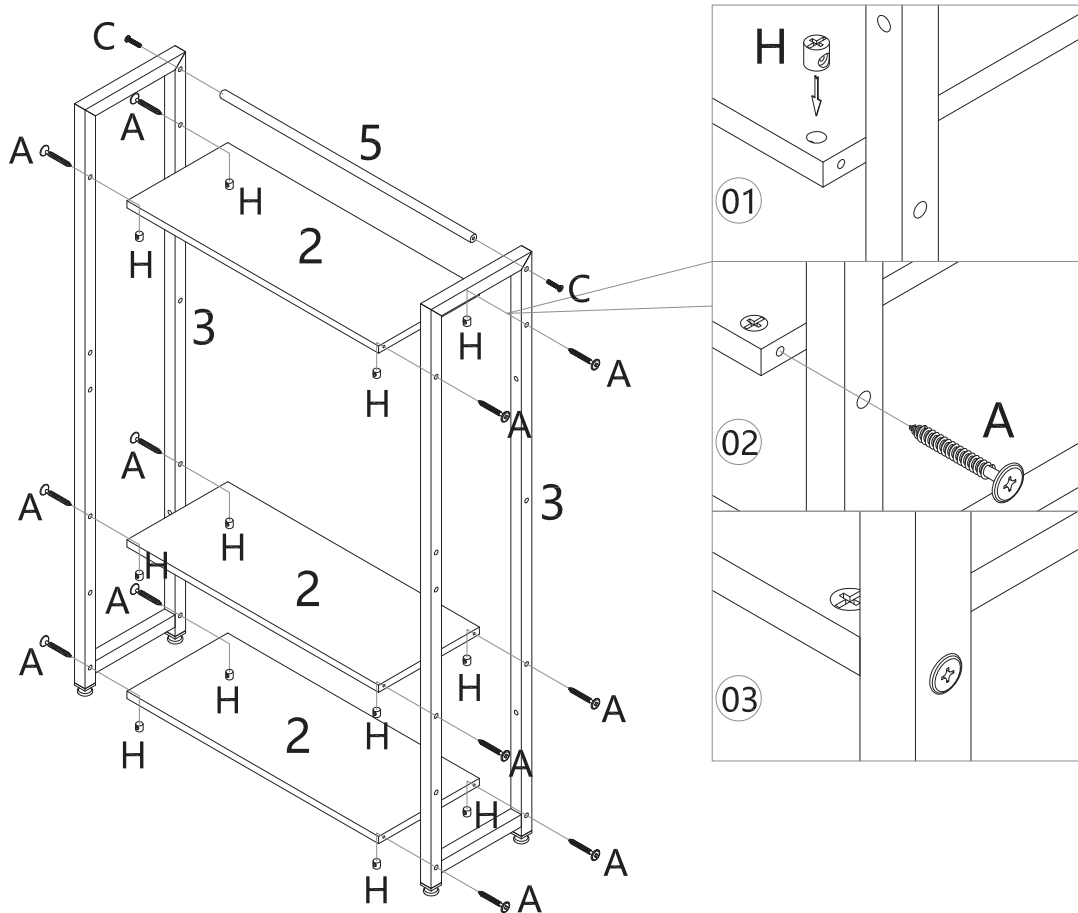
M5*50

H x12

C x 2

M6*30

02

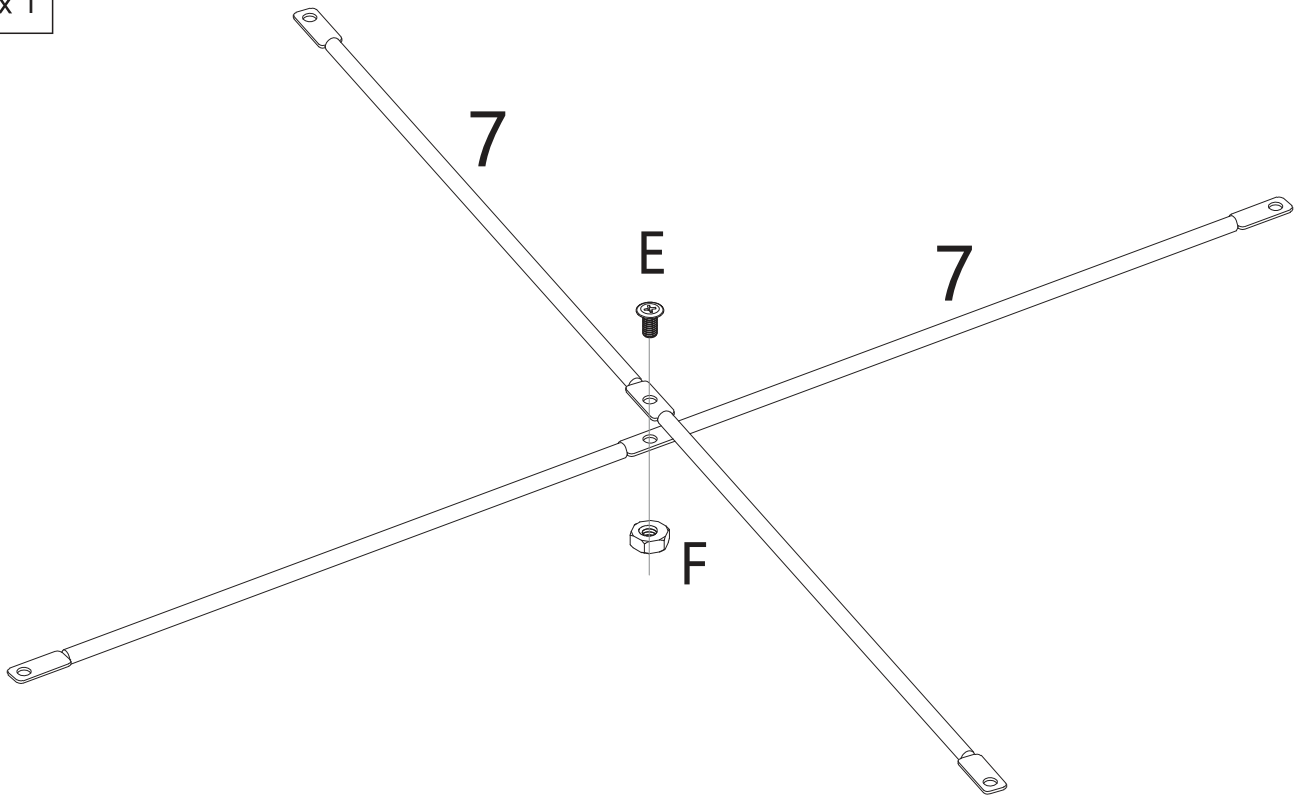


E x 1

M6*10

F x 1

03

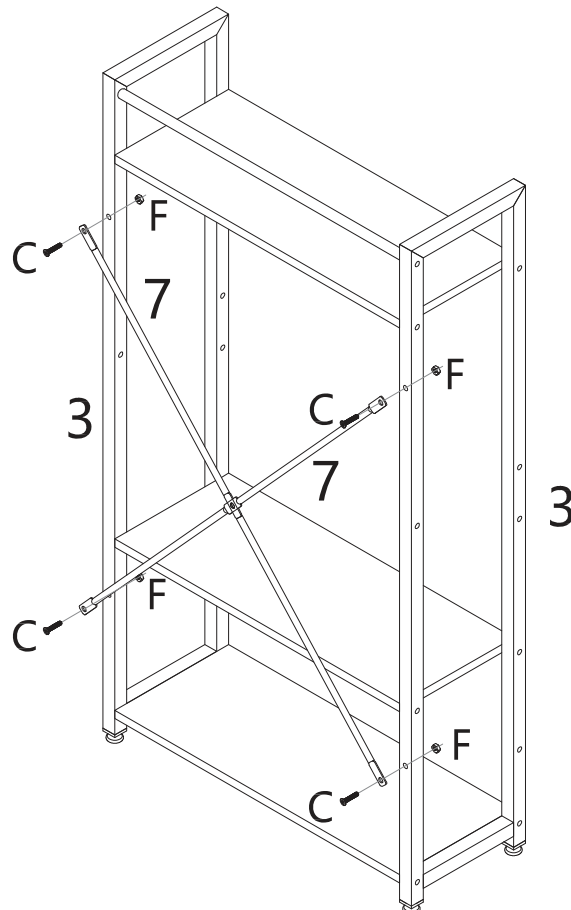


C x 4

M6*30

F x 4

04



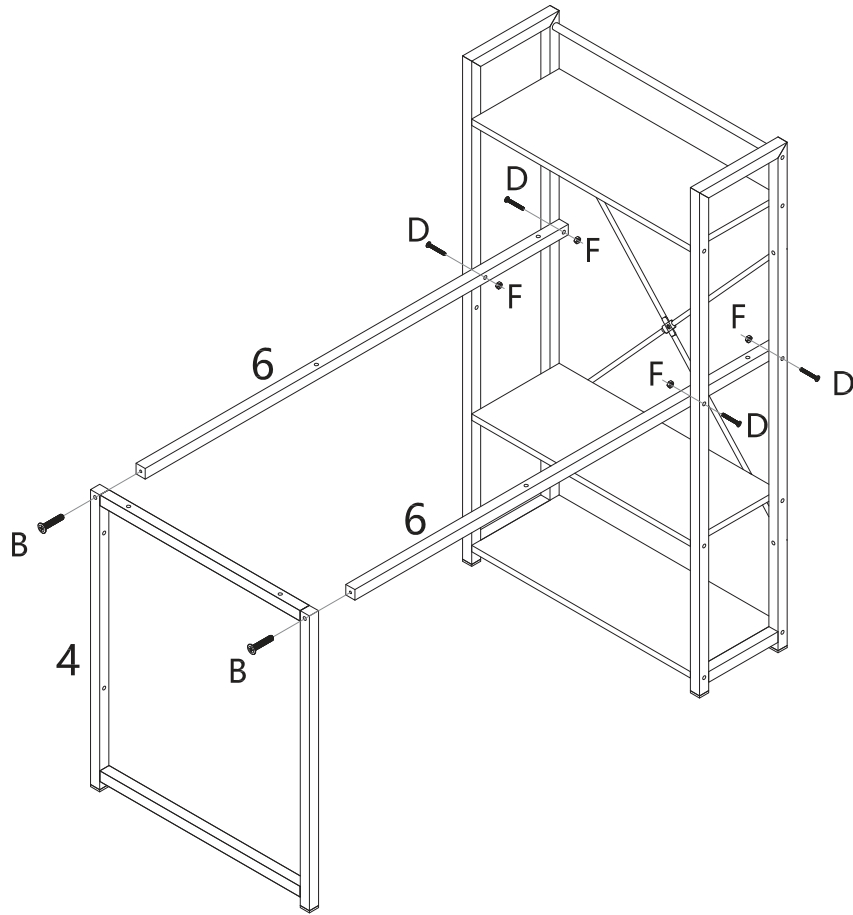
B x 2

M6*40

D x 4

M6*45

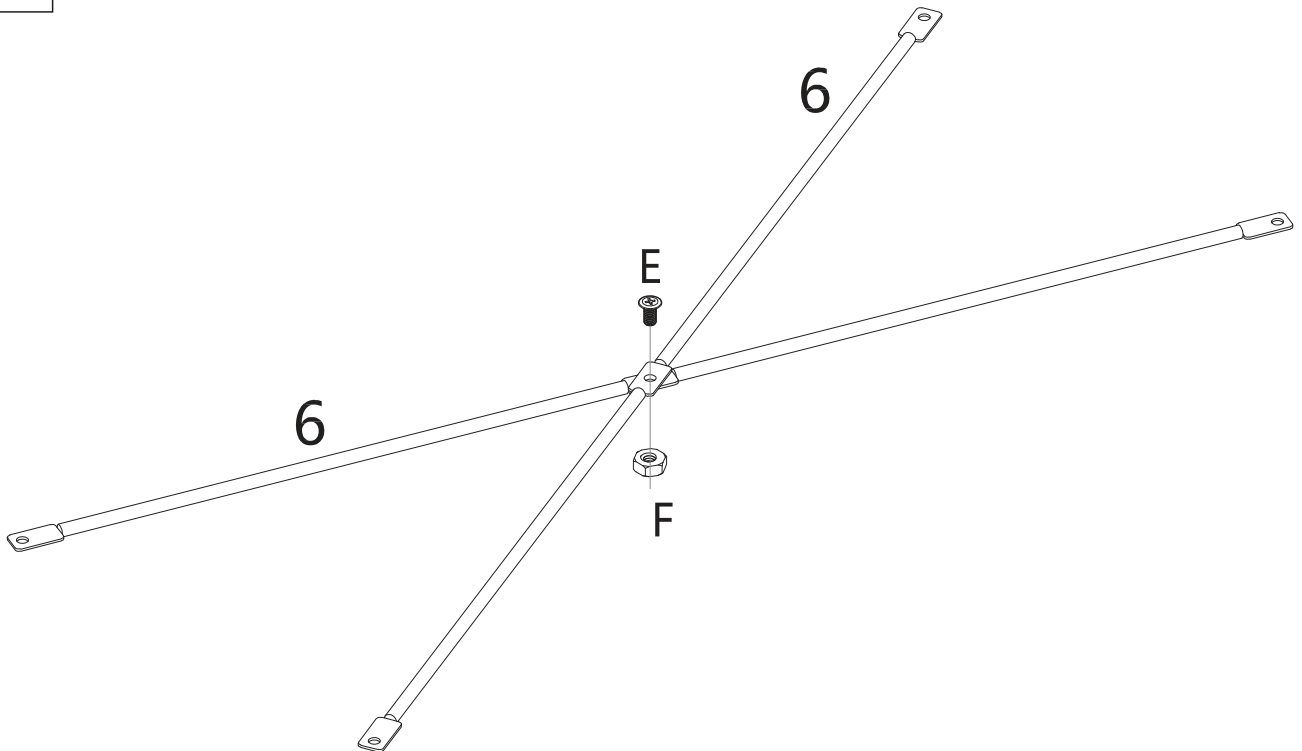
F x 4



E x 1

M6*10

F x 1

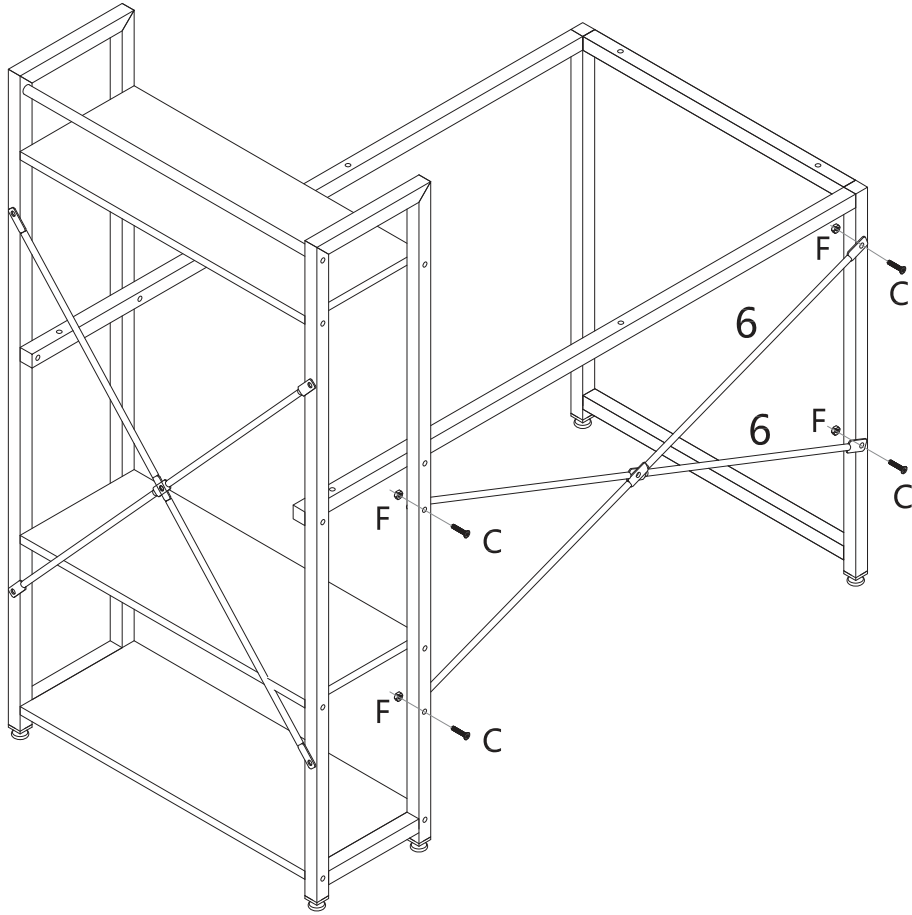


C x 4

M6*30

F x 4

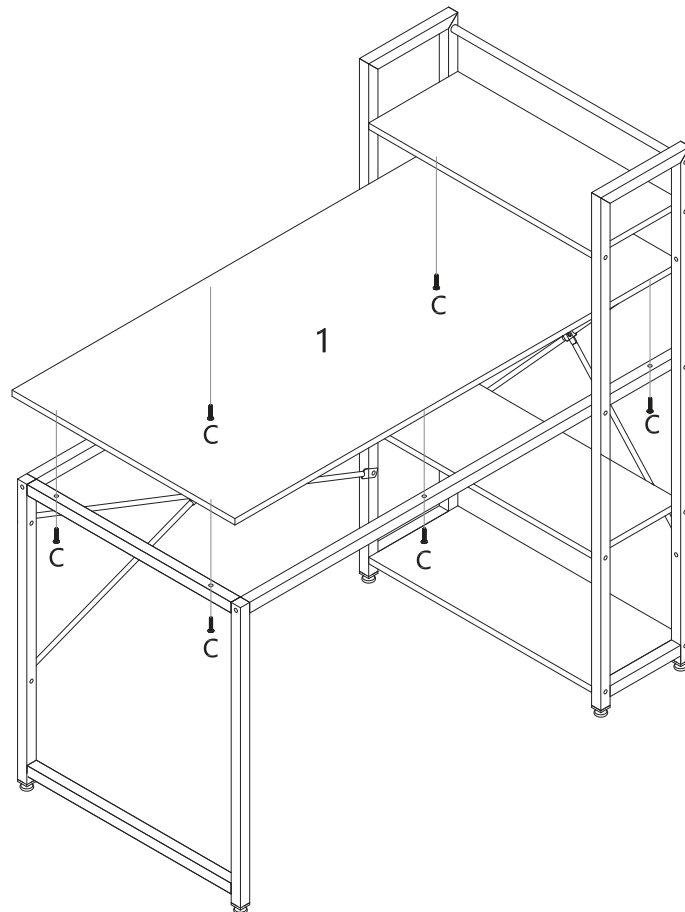
07



C x 6

M6*30

Done



US



001-877-644-9366
customerservice@aosom.com

CA



001-855-537-6088
customerservice@aosom.ca

UK



0044-800-240-4004
enquiries@mhstar.co.uk

DE



0049-(0)40-88307530
service@aosom.de

FR



0033-1-84166106
contact@aosom.fr

ES



0034-931294512
atencioncliente@aosom.es

IT



0039-0249471447
clienti@aosom.it