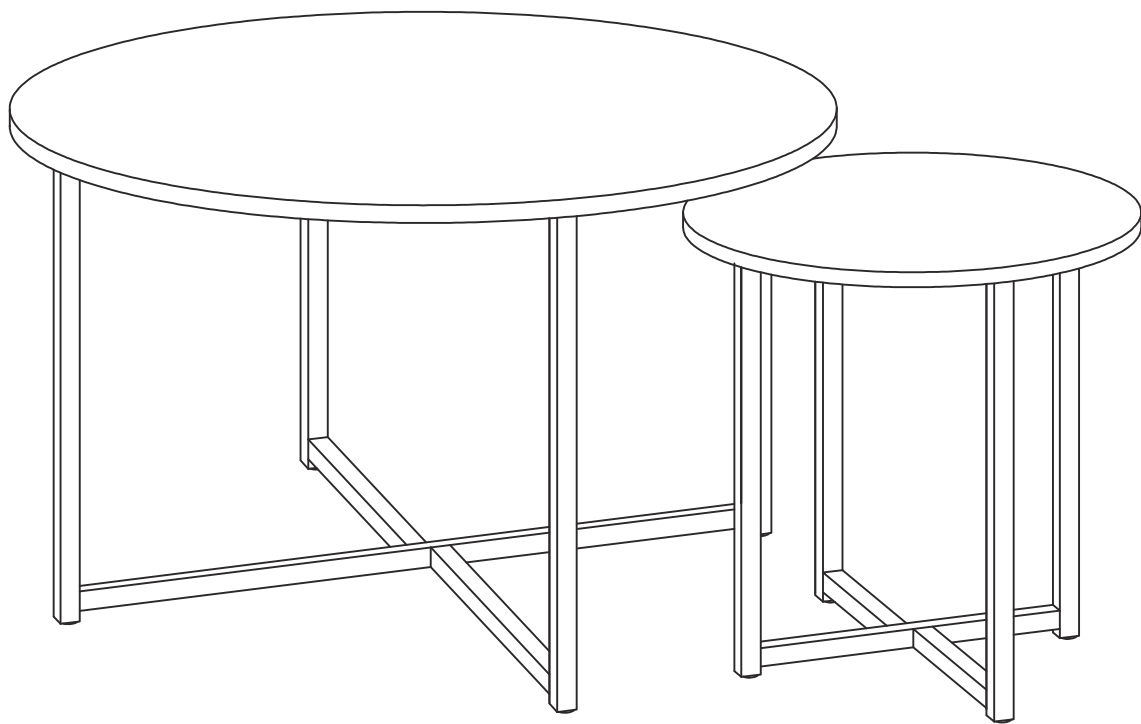




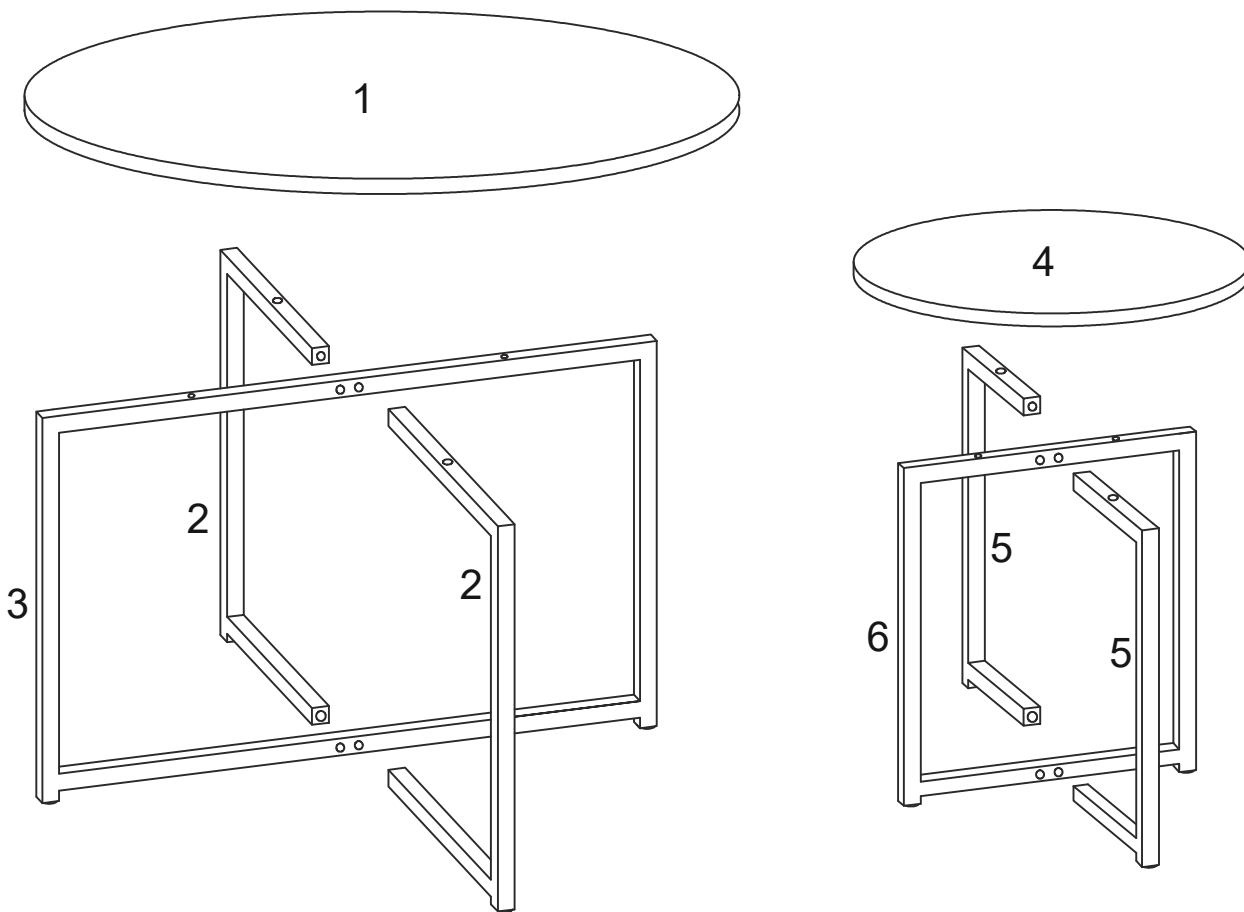
INcga168_GL

839-151

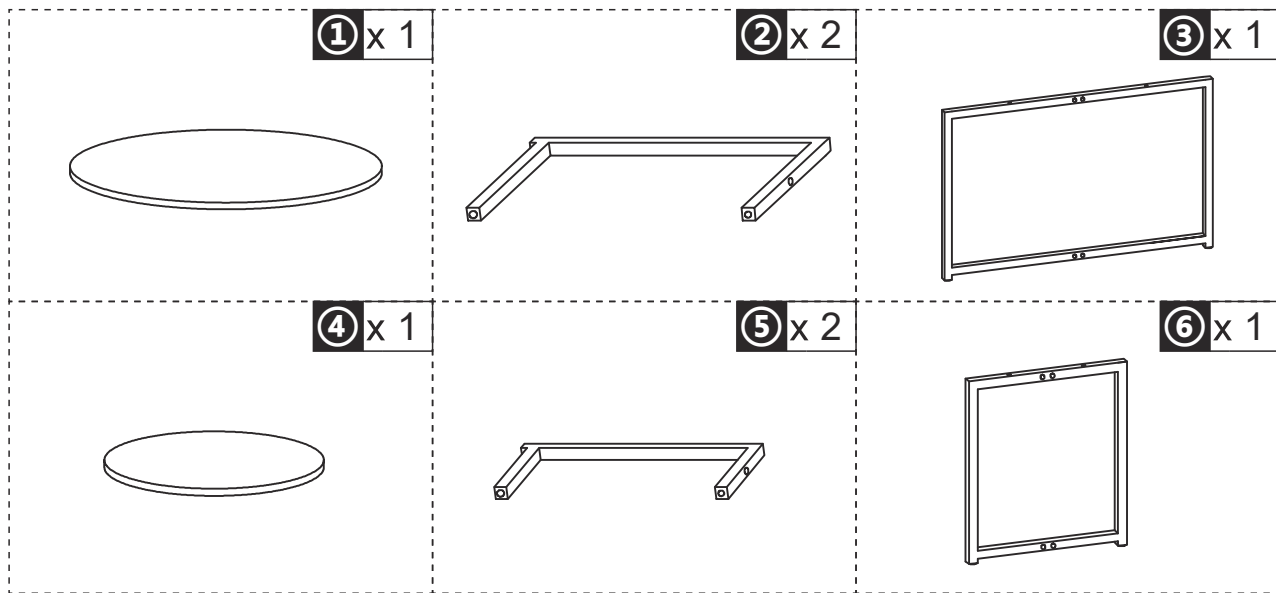


IMPORTANT, RETAIN FOR FUTURE REFERENCE: READ CAREFULLY

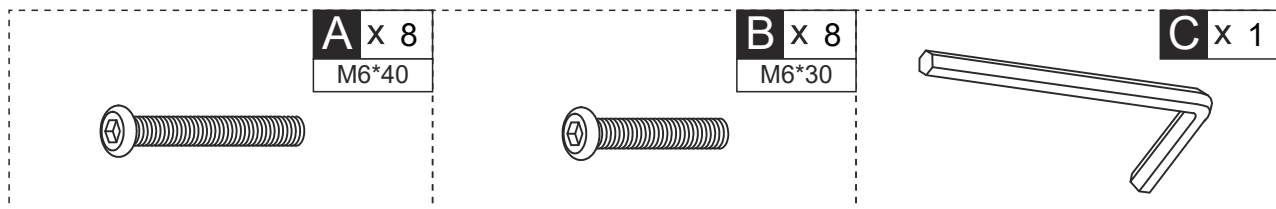
ASSEMBLY INSTRUCTION



PARTS



HARDWARE

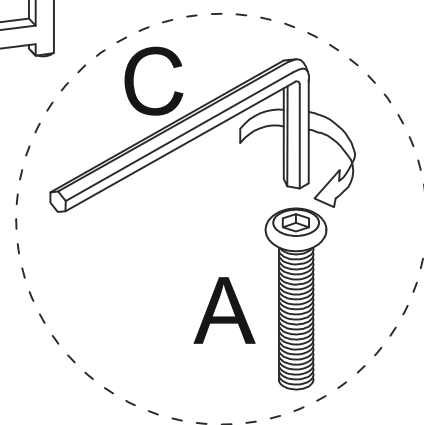
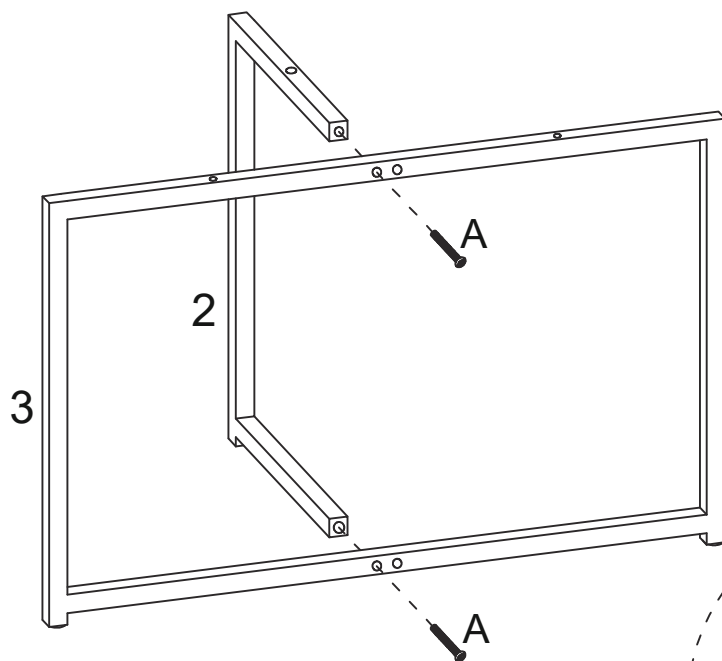




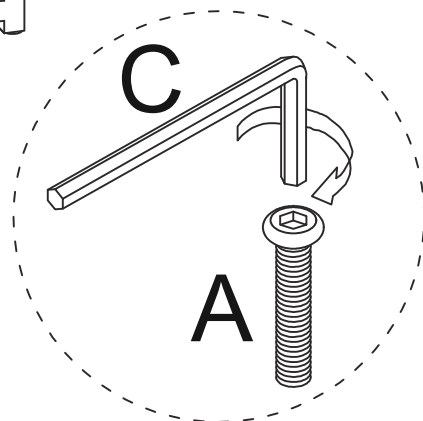
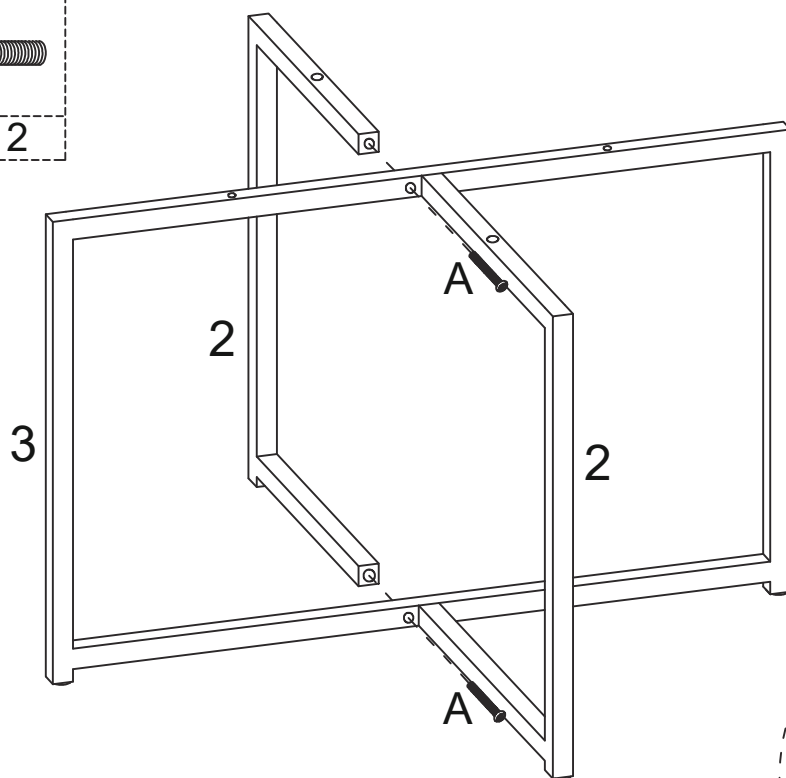
A x 2



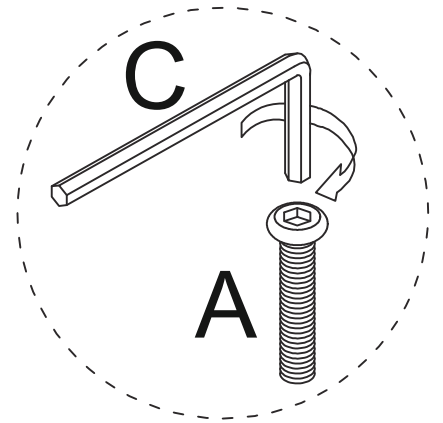
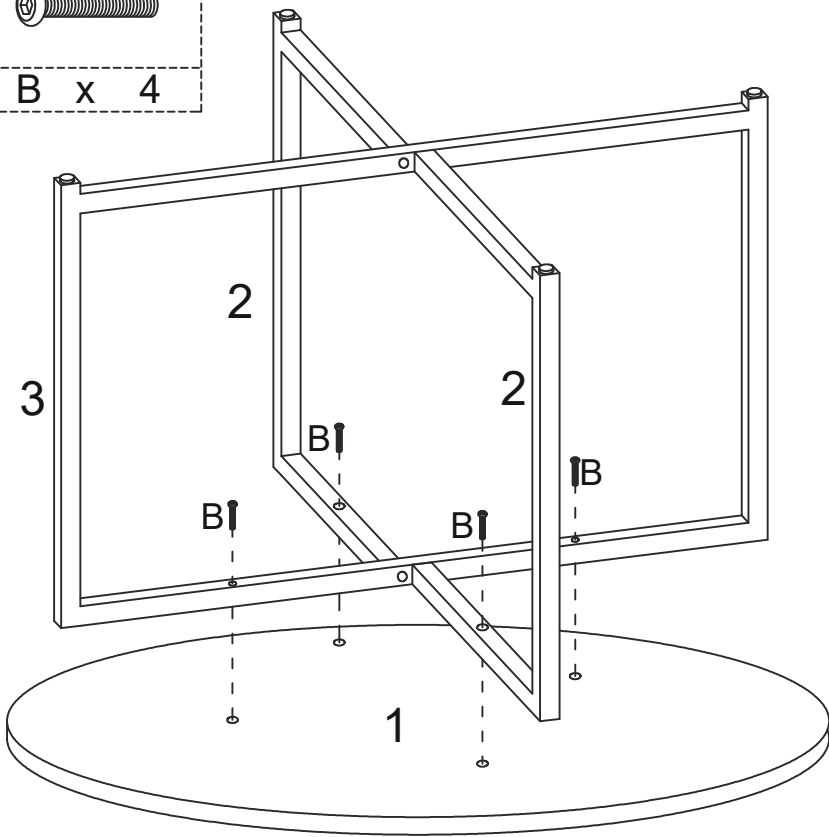
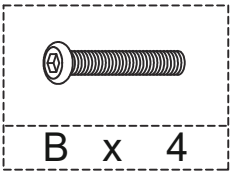
C x 1



A x 2



03



04

