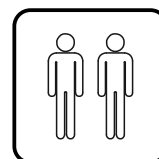
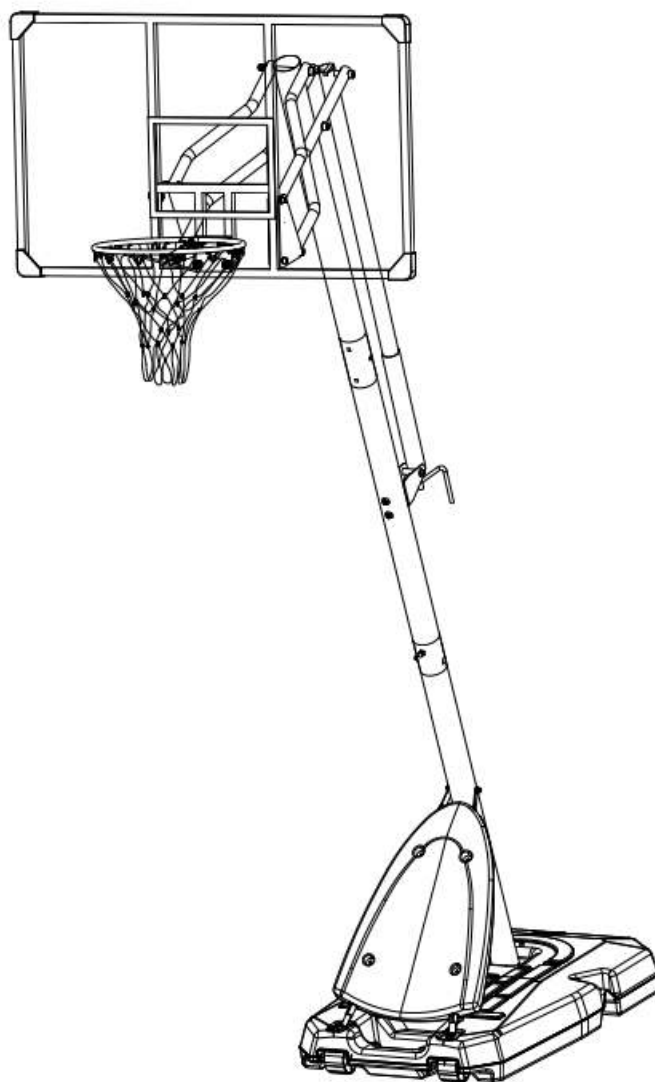


Portable Basketball System





IMPORTANT, RETAIN FOR FUTURE REFERENCE: READ CAREFULLY

ASSEMBLY INSTRUCTION

Dear customer,

Thank you for purchasing this product. So that your appliance serves you well, please read all the instructions in this user's manual. If you have any questions, please contact our customer care center.

Our contact details are below:

Country	 Phone	 Email
UK	0044-800-240-4004	enquiries@mhstar.co.uk

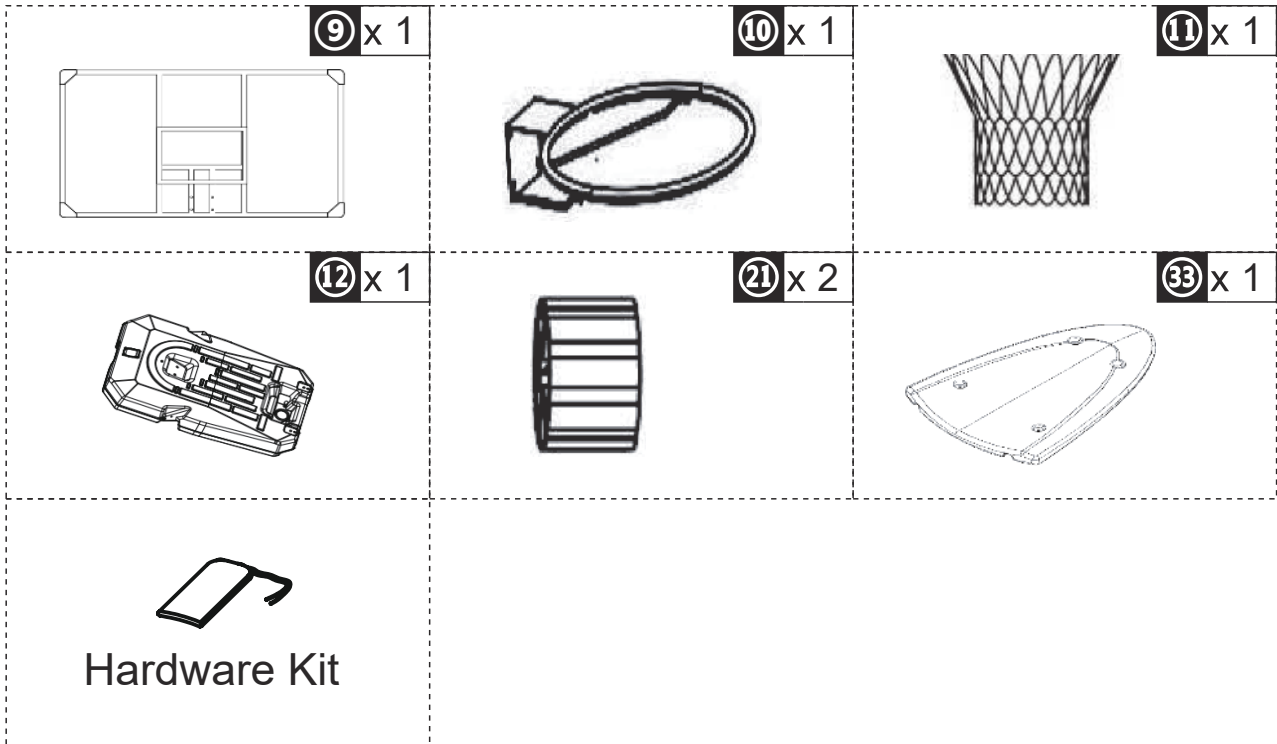
IMPORTER ADDRESS:

MH STAR UK LTD
Unit 27, Perivale Park,
Horsenden lane South
Perivale, UB6 7RH

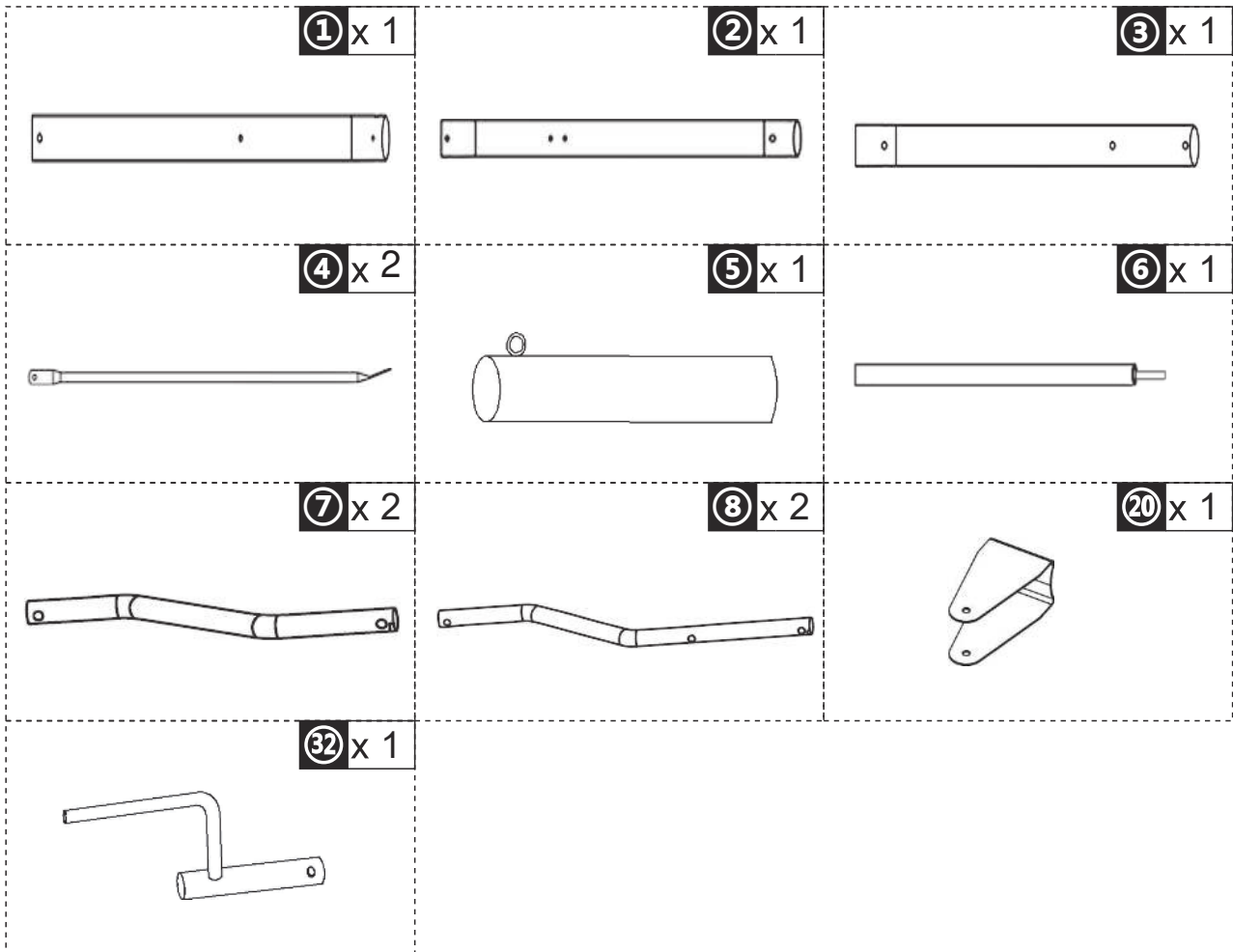
MADE IN CHINA

PACKING DETAILS: TOTAL 2 BOXES

BOX-1/2



BOX-2/2



SAFETY INSTRUCTIONS

FAILURE TO FOLLOW THESE WARNINGS MAY RESULT IN SERIOUS INJURY OR PROPERTY DAMAGE.

To ensure safety, do not attempt to assemble this product without reading and following all instructions carefully. Check the entire box and inside all packing materials for parts and/or additional instruction material. Before beginning assembly, identify and inventory all parts and hardware using the parts and hardware lists and identifiers in this document.

Proper and complete assembly, use and supervision are essential for proper orientation and to reduce the risk of accident or injury. A high probability of serious injury exists if this product is not installed, maintained, and/or operated properly.

Failure to comply with any of the warnings in this instruction manual may result in serious personal injuries such as cuts, broken bones, nerve damage, paralysis, brain injury, or death. Failure to comply may also result in property damage. Please heed all warnings and cautions.

- If using a ladder during assembly, use extreme caution.
- Only adults should set up the product. Do not allow children in the setup area until assembly is complete.
- Check base daily for leakage. Leaks may cause product to fall.
- Assemble the pole sections properly. Failure to do so could cause the pole sections to separate during play or transport.
- **Most injuries are caused by misuse and/or not following instructions. Use caution when using this product.**



WARNING

For safety reasons, we recommend that sand be used instead of water to fill the Base. If a leak develops, water could run out unnoticed, allowing the system to fall over, resulting in serious personal injuries, or property damage.

If using Water, check the Base carefully for leaks. If a leak is found, lay the system down on the ground and call Customer Service. Do not use, stand up, or play on a leaking system.

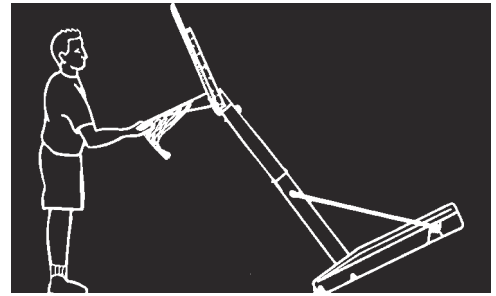


 **WARNING****OWNERS MUST ENSURE THAT ALL PLAYERS KNOW AND FOLLOW THESE RULES FOR SAFE OPERATION OF THE SYSTEM.**

1. Do Not allow children to move or adjust the system.
2. Always make sure adjustment knob is securely tightened before play.
3. Make sure cement anchors are installed properly during assembly and that they are secure before play.
4. During play, especially when performing dunk type activities, keep players face away from the backboard, rim and net. Serious injury could occur if teeth/face come in contact with the backboard, rim or net. Player should wear mouth guard during play.
5. Only hang from rim briefly to regain balance or avoid injuring others. Release the rim as soon as safely possible.
6. DO NOT slide, climb or play on base or pole.
7. Before each use, always check that the base is filled according to manufacturer's instructions. Check for loose hardware, instability, and signs of corrosion and repair before each use. Check the base for leaks. If a leak exists, water could run out unnoticed, allowing the unit to fall over. Never play on damaged equipment.
8. Surface beneath the base must be smooth and free of gravel or other objects. Punctures can cause leakage and could cause system to tip over.
9. During play, do not wear Jewelry (rings, watches, necklaces, etc.). Objects may entangle in net.
10. When moving system, keep hands and fingers away from moving parts.
11. Once a month check pole and all metal parts for rust. Completely remove rust and repaint with exterior enamel. If rust has penetrated any steel part, replace that part before using system again. Keep water and organic material away from pole.
12. Never operate or leave the unit standing in an upright position without first filling the base with weight and securing cement anchors or it may tip over into the pool and cause injuries such as those listed above.
13. Do not use system during windy or severe weather. System may tip over. Place system in an area protected from the wind or in an area away from property that may be damaged if the system falls.

TRANSPORTING THE PORTABLE BASE

1. Make sure the base is empty before moving.
2. Face the front of the base where the wheels are located and pull back on the pole until the unit is balanced on its wheels.
3. Move the unit to the desired location and carefully set it down.
4. Fill the Base, secure cement anchors and check portable base for stability before play.



ADJUSTING THE SYSTEM

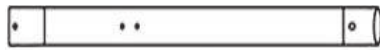
1. One person must stabilize the backboard, while the other person removes the pole locking knob and bolt.
2. Adjust the pole to desired height, and replace the knob and bolt.
3. Make sure adjustment knob is secure.

① x 1



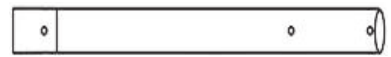
Φ75*1090mm

② x 1



Φ75*1090mm

③ x 1



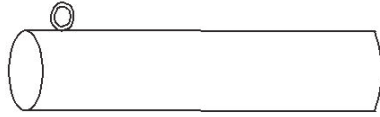
Φ75*1035mm

④ x 2



Φ25*905mm

⑤ x 1



⑥ x 1



⑦ x 2



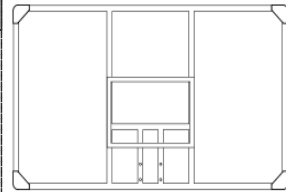
Φ32*495mm

⑧ x 2



Φ32*695mm

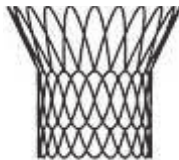
⑨ x 1



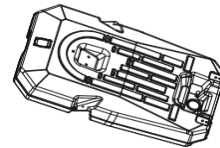
⑩ x 1



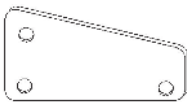
⑪ x 1



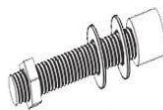
⑫ x 1



⑬ x 2



⑭ x 1



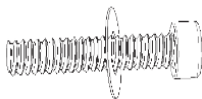
M8*65mm

⑮ x 4



M10*40mm

⑯ x 2



M8*40mm

⑰ x 2



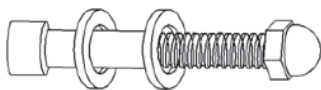
M8*90mm

⑱ x 2



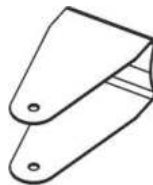
M12*160mm

⑲ x 1



M8*95mm

⑳ x 1



㉑ x 2



㉒ x 2



㉓ x 2






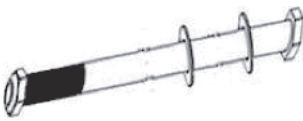
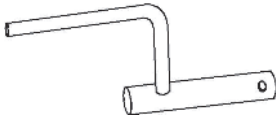





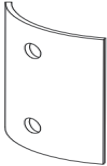


Φ13Φ19*14mm







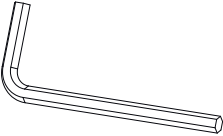
㉔ x 1



Φ110*2.0mm

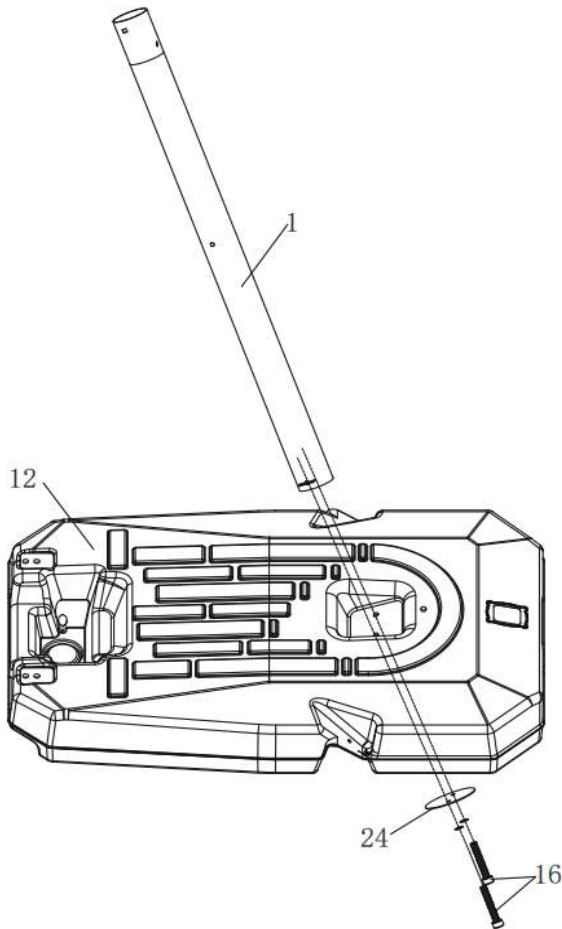
 <p>25 x 4</p> <p>M8*85mm</p>	 <p>17 26 27 x 2</p>	
 <p>28 x 2</p> <p>Φ12*φ16*18mm</p>	 <p>29 x 2</p> <p>M8*60mm</p>	 <p>30 x 1</p> <p>5*25mm</p>
 <p>31 x 1</p> <p>M12*160mm</p>	 <p>32 x 1</p> <p>φ10*200 + φ16*54mm</p>	 <p>33 x 1</p>
 <p>34 x 4</p> <p>M8*25mm</p>	 <p>35 x 4</p> <p>M6*45mm</p>	 <p>36 x 4</p> <p>M12*55mm</p>
 <p>37 x 2</p> <p>25*12.5*1.0mm</p>	 <p>38 x 1</p>	

REQUIRED TOOLS

 <p>a x 1</p> <p>8*10mm</p>	 <p>b x 1</p> <p>14*17mm</p>	 <p>c x 1</p> <p>17*19mm</p>
 <p>d x 1</p> <p>M5</p>	 <p>e x 1</p> <p>M6</p>	 <p>f x 1</p> <p>M8</p>
 <p>g x 1</p> <p>M10</p>		

STEP 1

Attach Bottom Pole (#1) to Base (#12) as shown. Secure the bottom pole to the base with 2 sets of Bolts and Washers (#16) and round plate (#24) as shown.



Hardware Needed



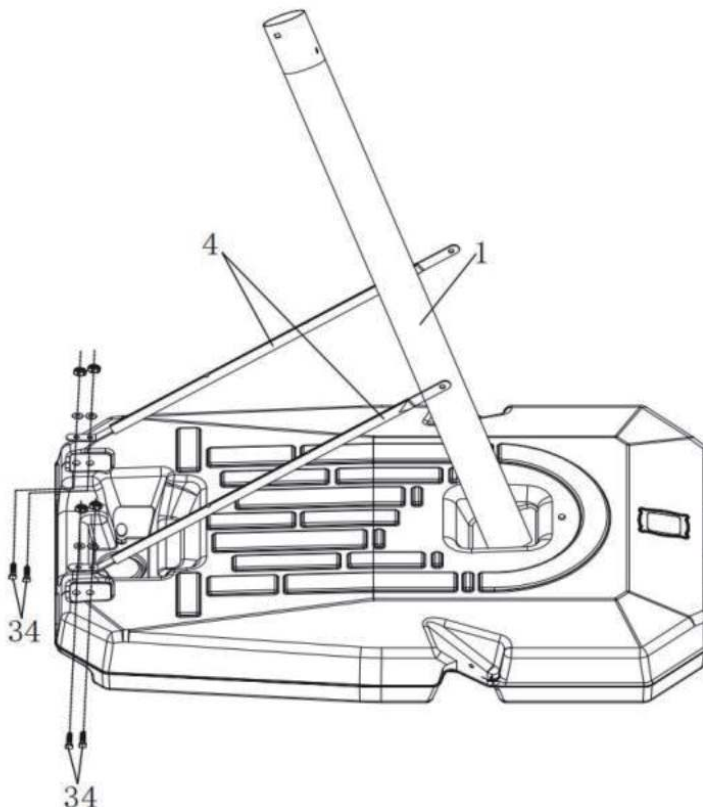
Bolt, Washer Set

M8*40mm

QTY: 2

STEP 2

Lock the Bottom Pole Braces (#4) to Base (#12) with 4 sets of Bolts, Washers, and Nuts (#34).



Hardware Needed



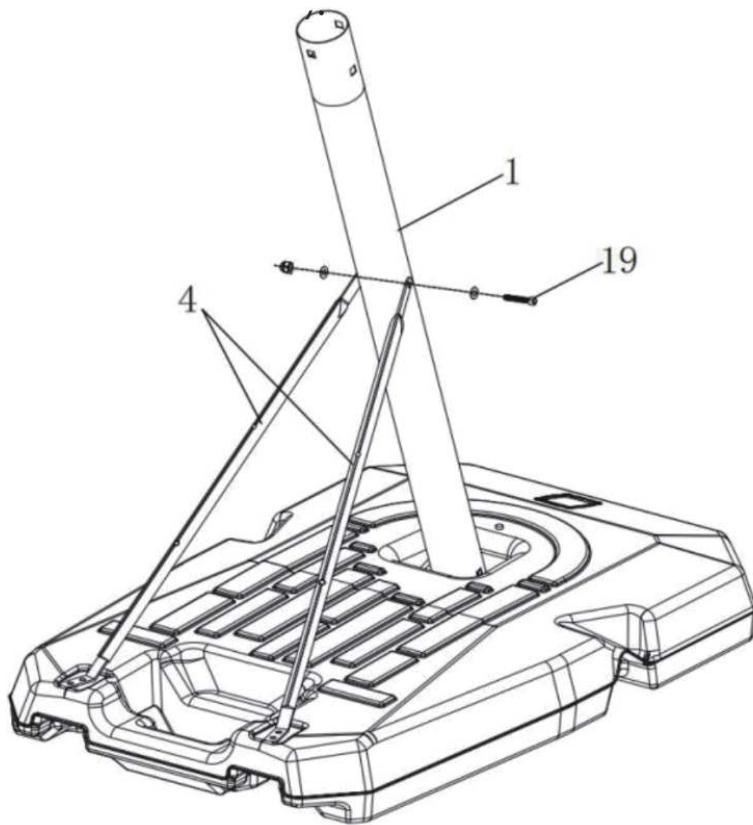
Bolt, Washer and Nut Set

M8*25mm

QTY: 4

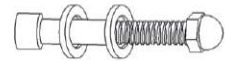
STEP 3

Attach the Bottom Pole Braces (#4) to Bottom pole (#1) with a set of Bolt, Washer and Nut (#19).



Hardware Needed

19



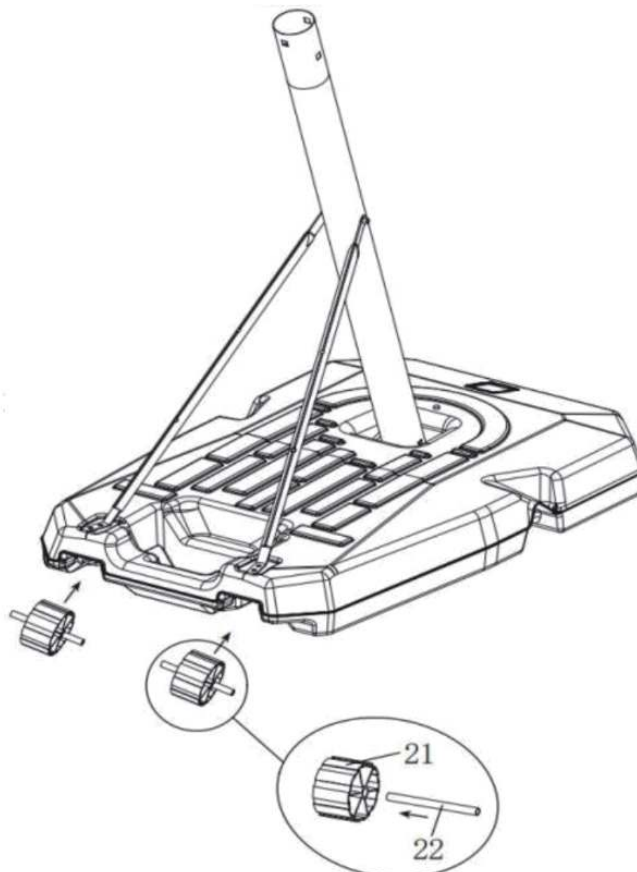
Bolt, Washer, Nut

M8*95mm

QTY: 1

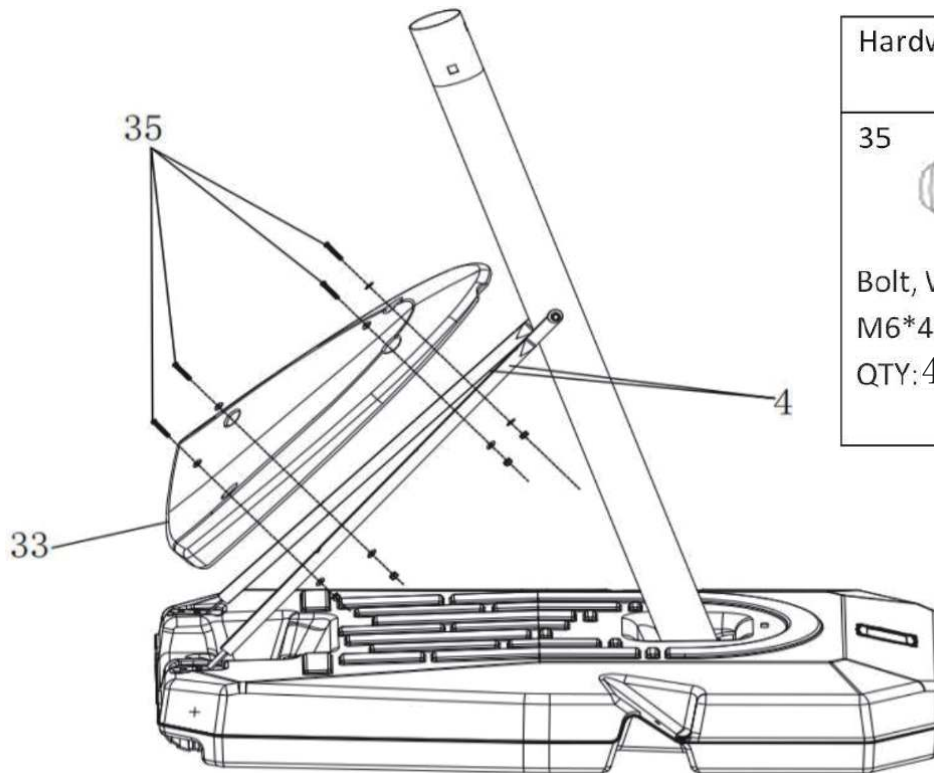
STEP 4

Insert Axles (#22) into the Wheels (#21) as shown. Then press down over the wheels to snap the Axles in place.



STEP 5

Secure Cover (#33) to Bottom Pole Braces (#4) using 6 sets of Bolts, Washers and Nuts (#35).



Hardware Needed

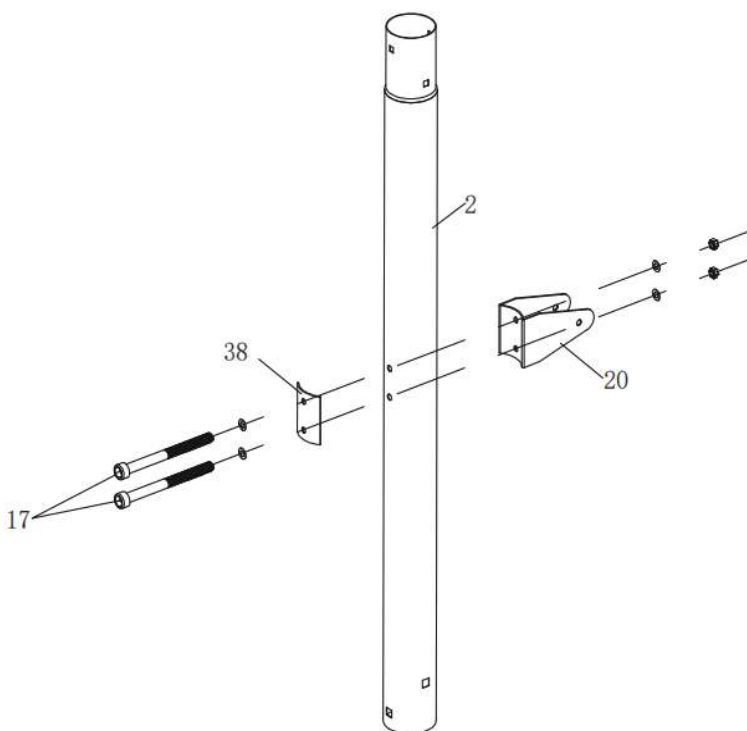
35



Bolt, Washer and Nut
M6*45mm
QTY: 4

STEP 6

Secure Mounting Plate (#20) and Plate (#38) to Middle Pole (#2) with 2 sets of Bolts, Washers, and Nuts (#17) .



Hardware Needed

17



Bolt, Washer and Nut

M8*90mm

QTY: 2

2



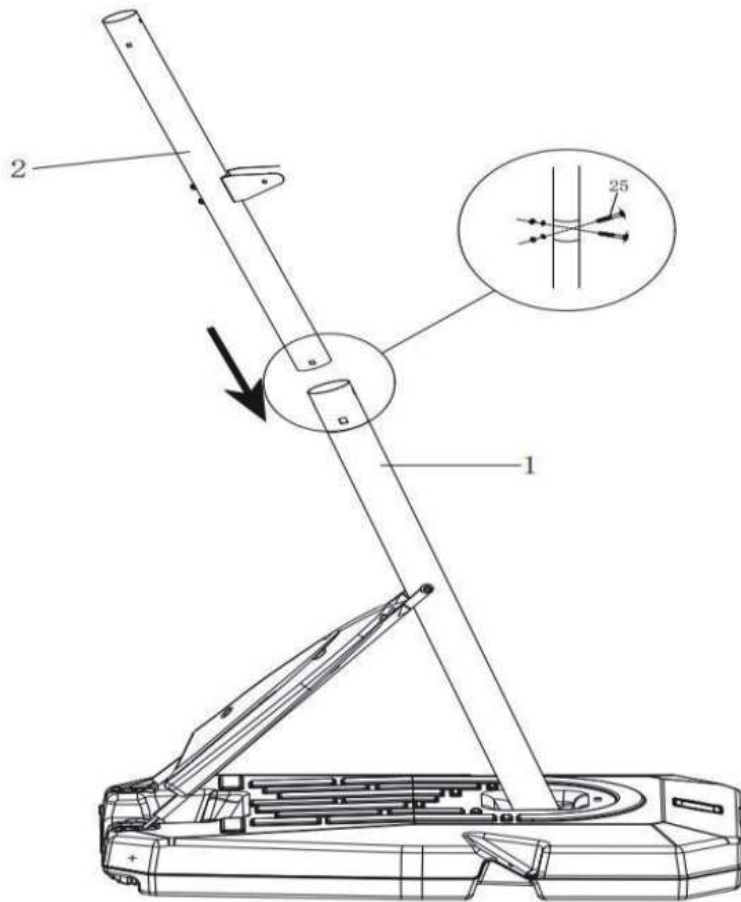
Middle Pole

Φ 75*1090mm

QTY:1

STEP 7

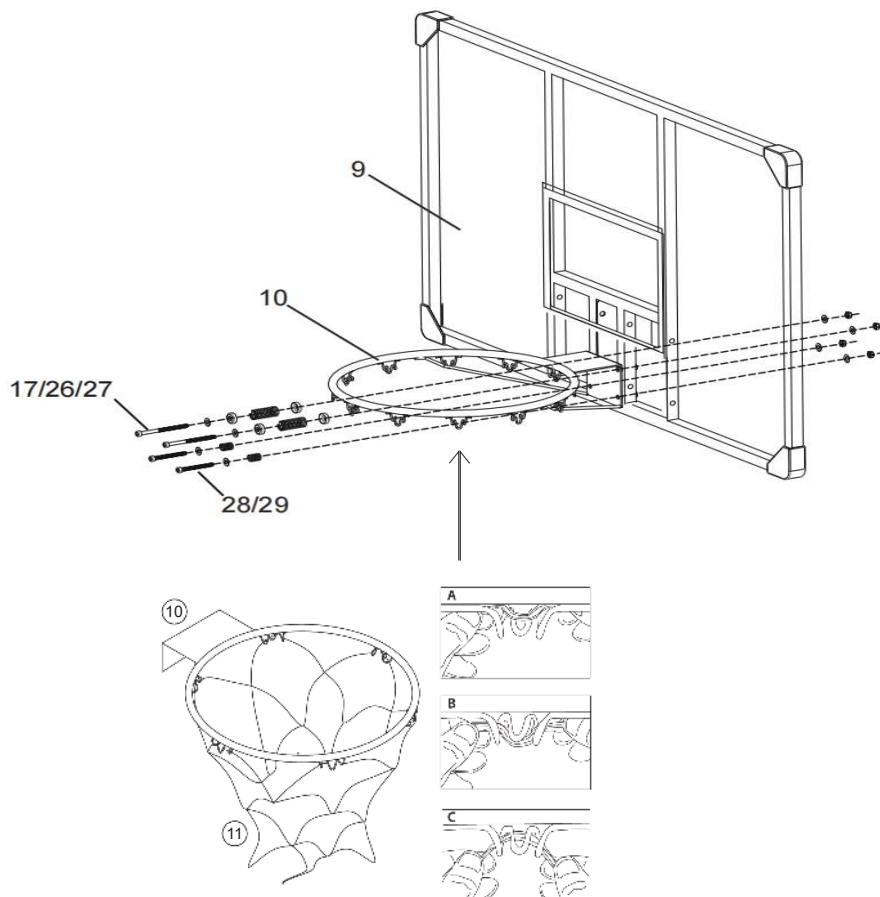
Secure Middle Pole (#2) to Bottom Pole (#1) with 2 sets of Bolts, Washers, and Nuts (#25).





Hardware Needed
25

Bolt, Washer and Nut
M8*85mm
QTY: 2

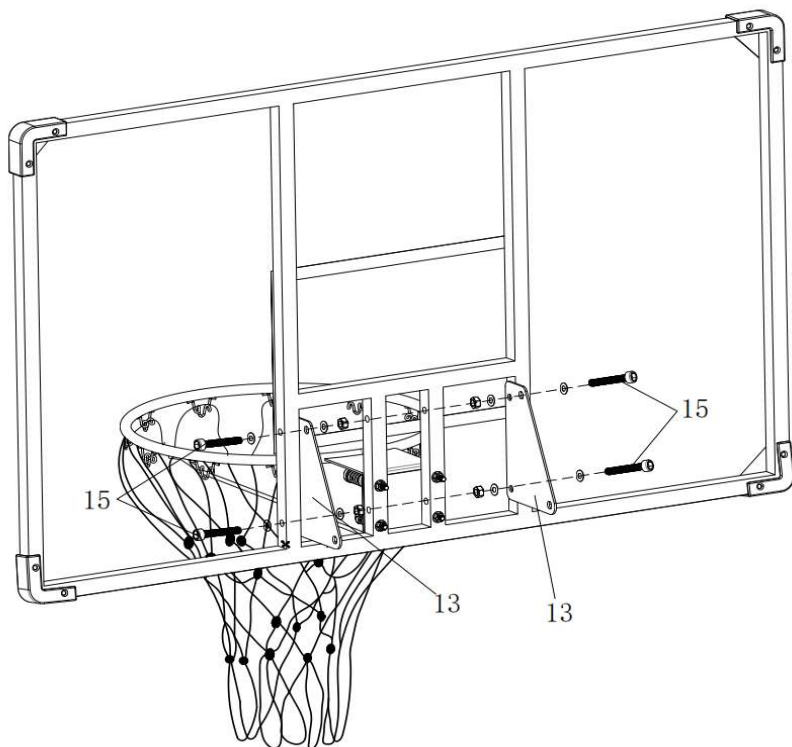
STEP 8



Hardware Needed
28/29

Bolt, Washer and Screw Set
M8*60mm
QTY: 2
17/26/27

Bolt, Washer and Screw Set
M8*90mm
QTY:2

STEP 9

Secure two Backboard Connecting Plates (#13) to Backboard (#9) with 4 sets of Bolts, Washers, and Nuts (#15).



Hardware Needed

15



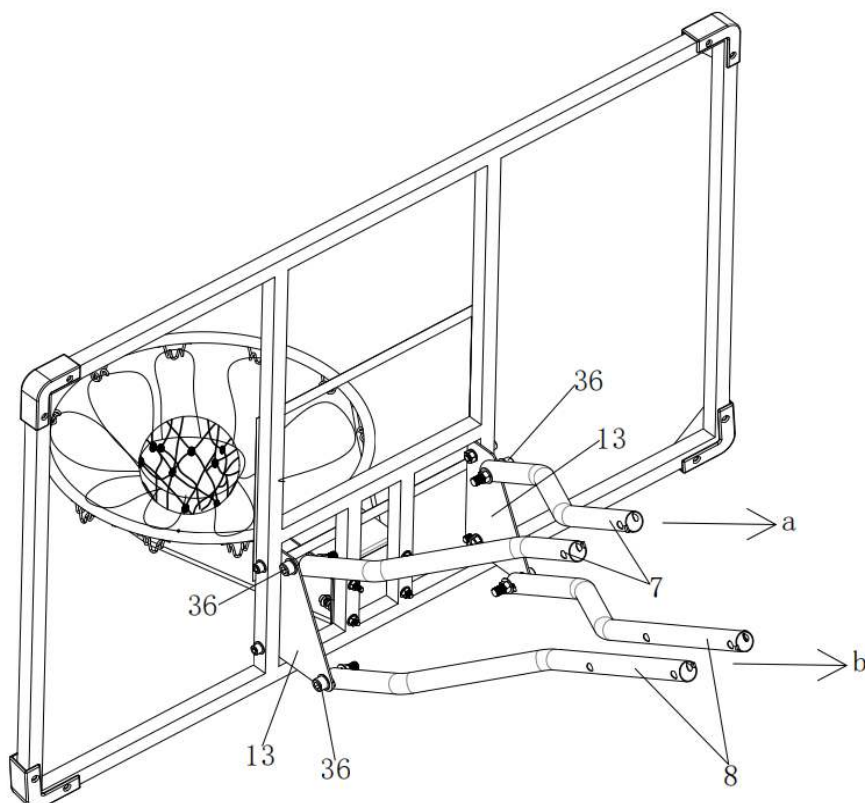
Bolt, Washer, Nut

M10*40mm

QTY: 4

STEP 10

- Attach two Short Connecting Tubes (#7) to Upper Parts of two Backboard Connecting Plates (#13) with 2 sets of Bolts, Washers, and Nuts (#36).
- Attach two Long Connecting Tubes (#8) to Lower Parts of two Backboard Connecting Plates (#13) with 2 sets of Bolts, Washers, and Nuts (#36).



Hardware Needed

36



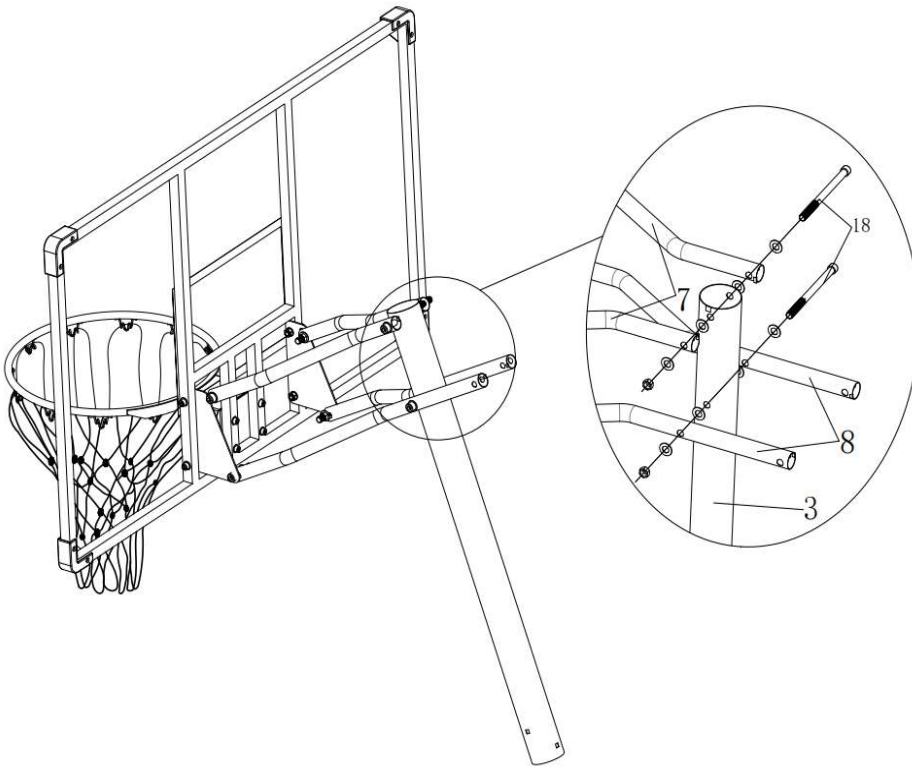
Bolt, Washer and Nut

M12*55mm

QTY: 4

STEP 11

Attach Short Connecting Tubes (#7) and Long Connecting Tubes (#8) to the Top Pole (#3) as shown. Secure them with 2 sets of Bolts, Washers, and Nuts (#18).



Hardware Needed

18



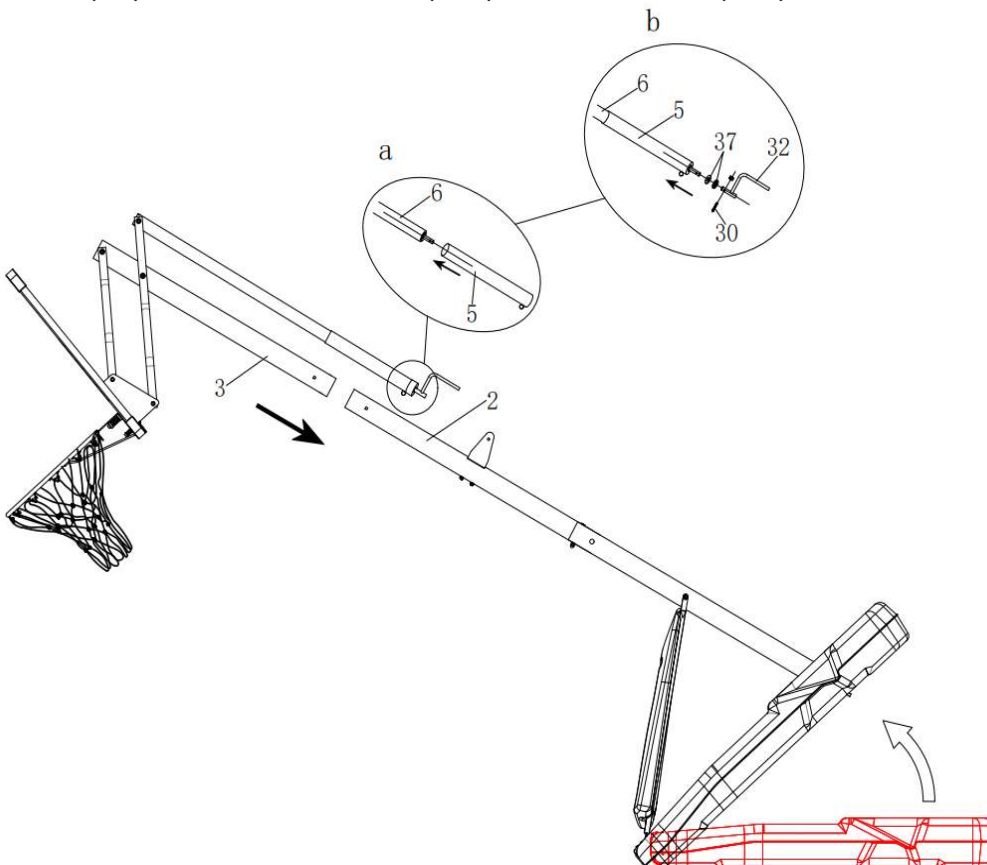
Bolt, Washer, Nut

M12*160mm

QTY: 2

STEP 12

- Screw the Lower Handle Bar (#5) to the Upper Handle Bar (#6).
- Put the 2 washers (#37) to the Lower Handle Bar (#5) first, then align the holes of the Lower Handle Bar (#5) and the rocker lever (#32) to insert the Bolt (#30) to lock them. Finally, tighten the Nut (#30).



Hardware Needed

30



Bolt, Washer, Nut
M5*25mm

QTY: 1

32



Crank Handle
 $\phi 10 \times 200 + \phi 16 \times 54\text{mm}$

QTY: 1

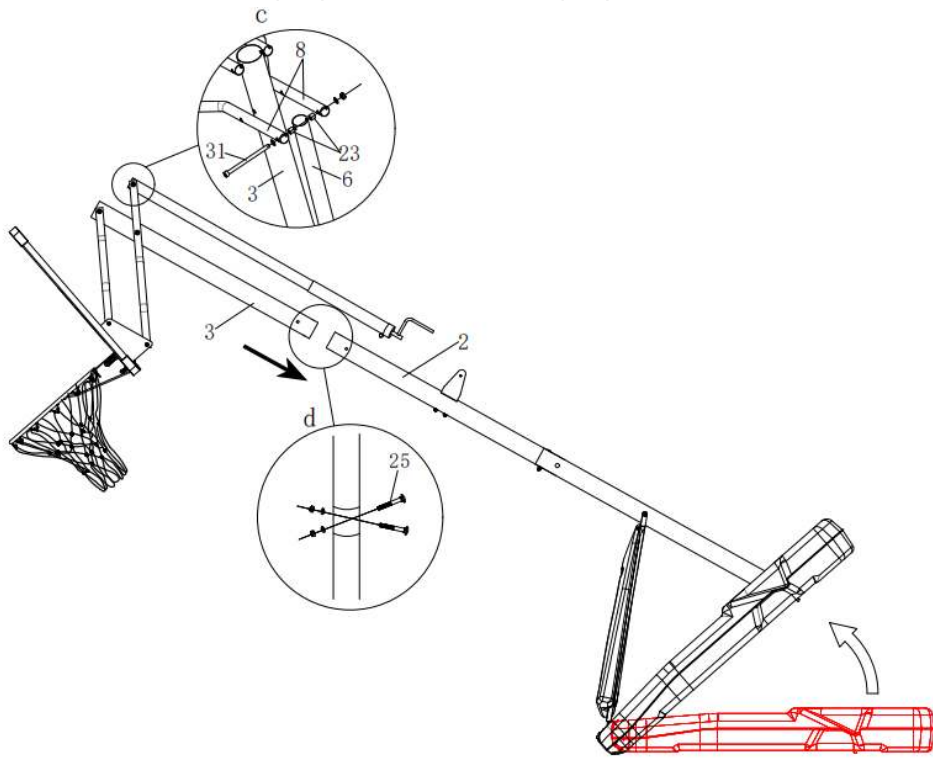
37



Washer
25*12.5*1.0mm

QTY: 2

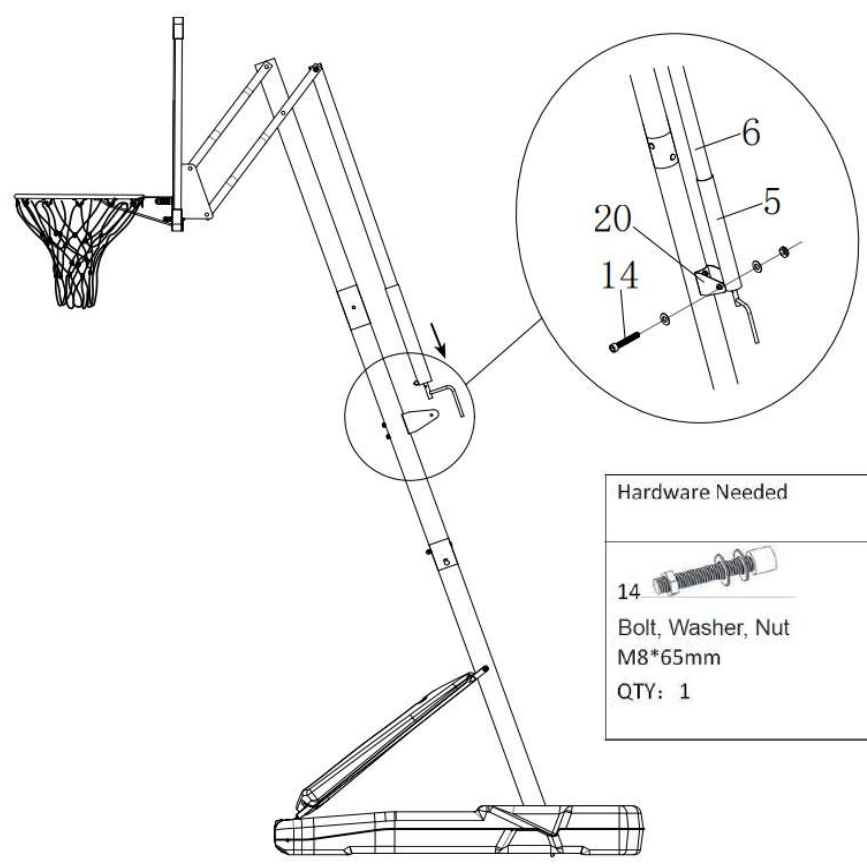
- c. Insert the Bolt (#31) through a Long Connecting Tube (#8), a Tube Washer (#23), the Upper Handle Bar (#6), the other Tube Washer (#23) and the other Long Connecting Tube (#8) in order. Then tighten the nut to lock them.
- d. Secure Top Pole (#3) to Middle Pole (#2) with 2 sets of Bolts, Washers and Nuts (#25).



Hardware Needed	
23	 Tube Washer $\Phi 13 \times \Phi 19 \times 14\text{mm}$ QTY: 2
31	 Bolt, Washer, Nut M12*160mm QTY: 1
25	 Bolt, Washer and Nut Set M8*85mm QTY: 2

STEP 13

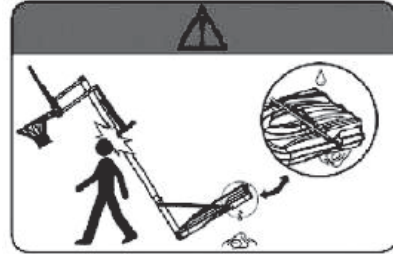
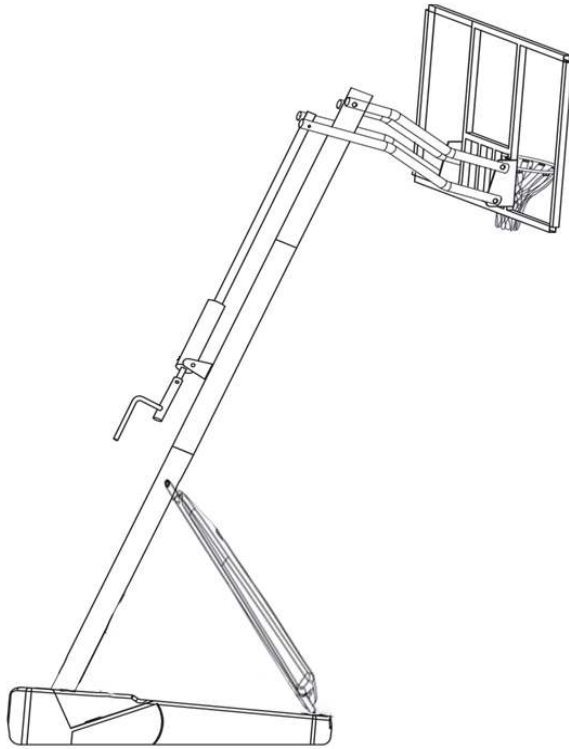
Rotate the rocker lever (#32) to align the holes of the Lower Handle Bar (#5) and the Mounting Plate (#20). Then attach them with a set of Bolt, Washer, and Nut (#14).



Hardware Needed	
14	 Bolt, Washer, Nut M8*65mm QTY: 1

STEP 14

Please check all the bolts and nuts are all tightened after assembly. Always check the unit to ensure that the base is full of water or sand, and all fittings and hardware are tight before each use.

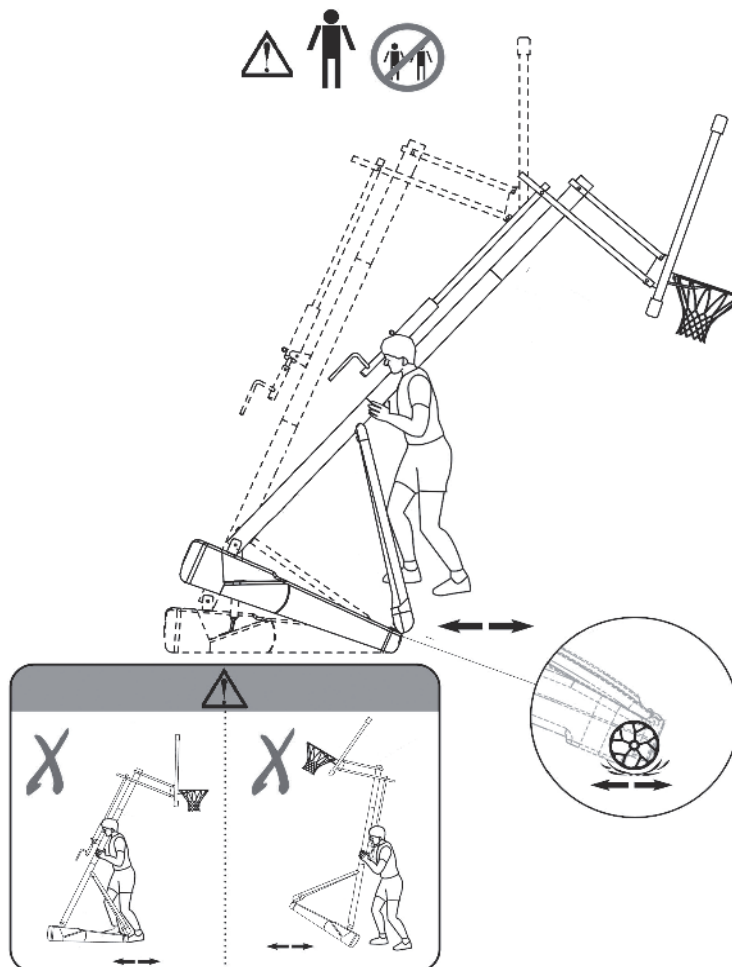


WARNING

Sand is more recommended instead of water. If a leak develops, water could run out unnoticed, allowing the system to fall over, resulting in serious personal injuries, or property damage.

STEP 15

Please move the basketball system as below shown.



STEP 16

Please follow the below pictures to rotate the Crank Handle (#32) to adjust height.

