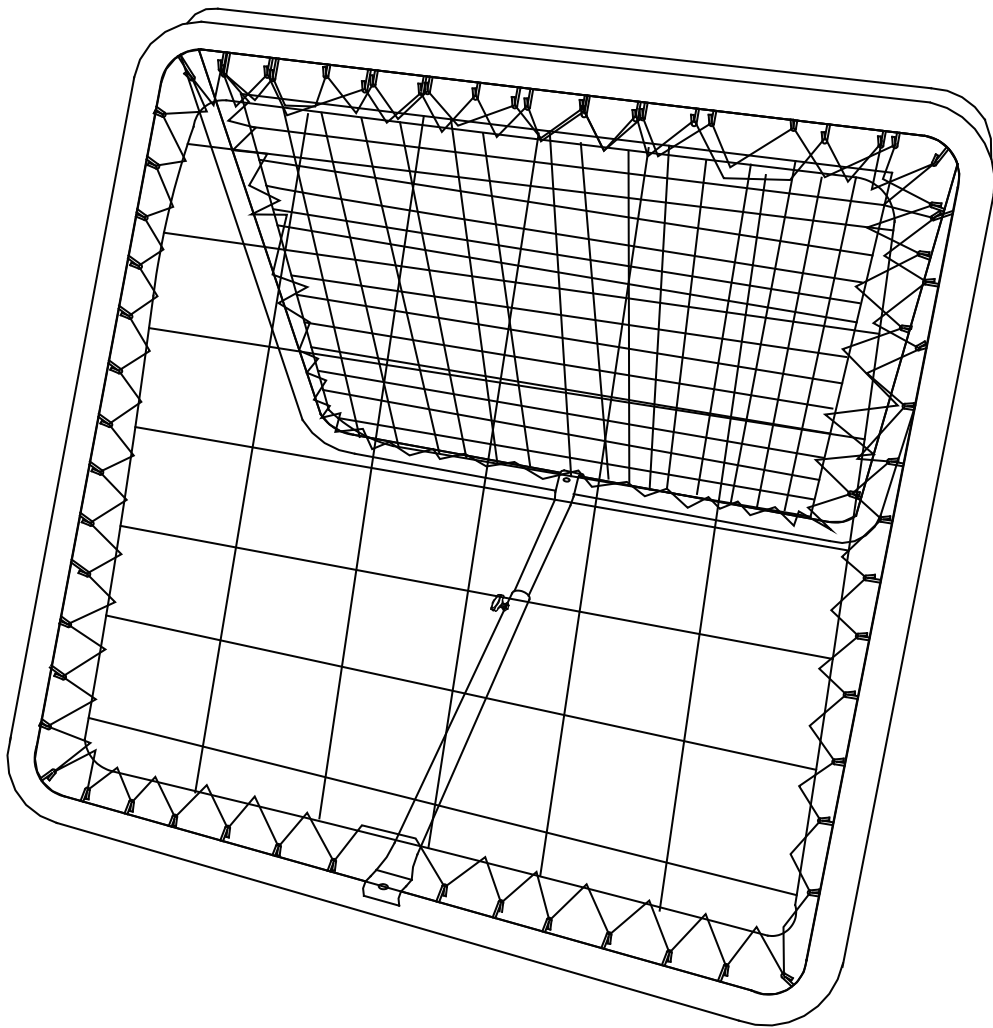




IN230200423V02\_UK

**A90-222**





IMPORTANT, RETAIN FOR FUTURE REFERENCE: READ CAREFULLY

## **ASSEMBLY INSTRUCTION**

**Dear customer,**

Thank you for purchasing this product. So that your appliance serves you well, please read all the instructions in this user's manual. If you have any questions, please contact our customer care center.

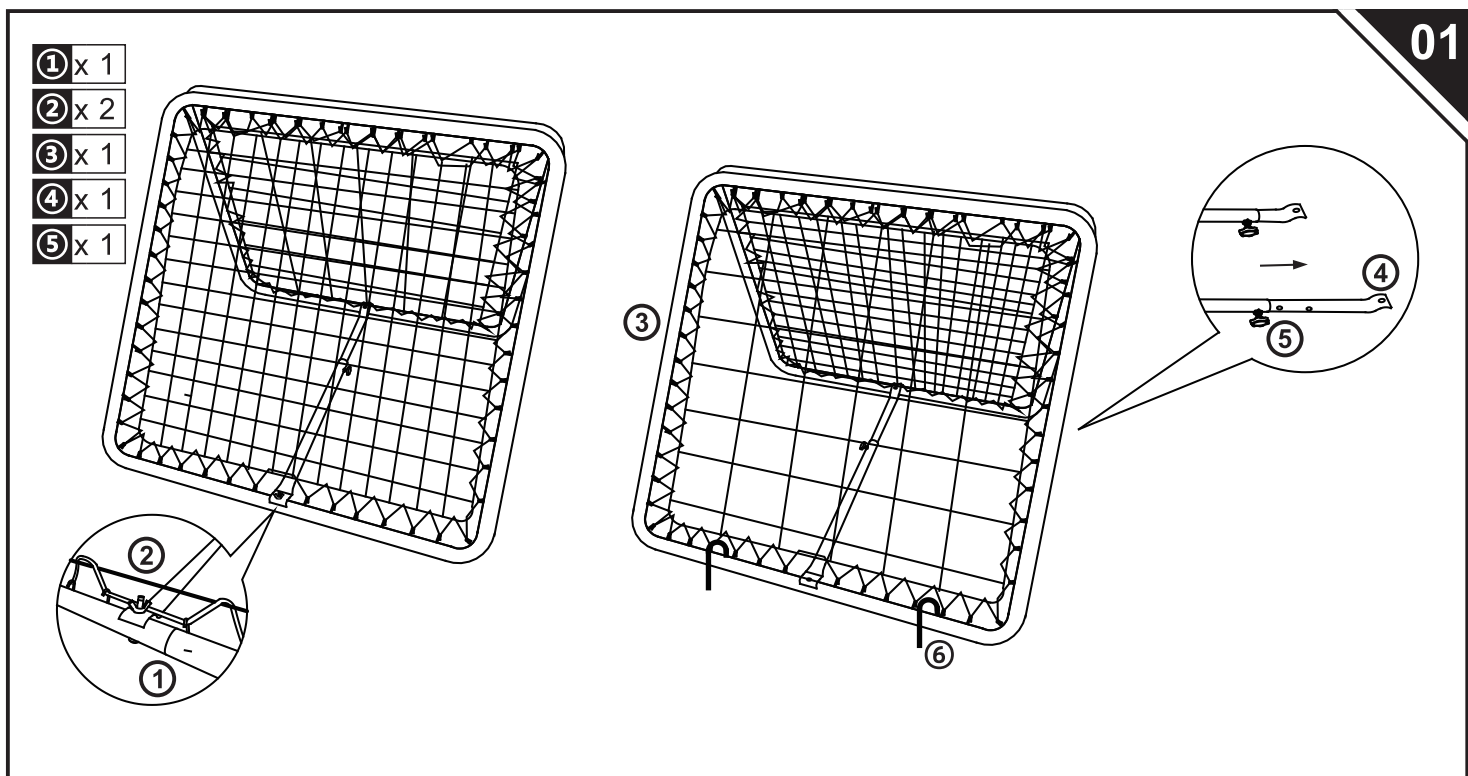
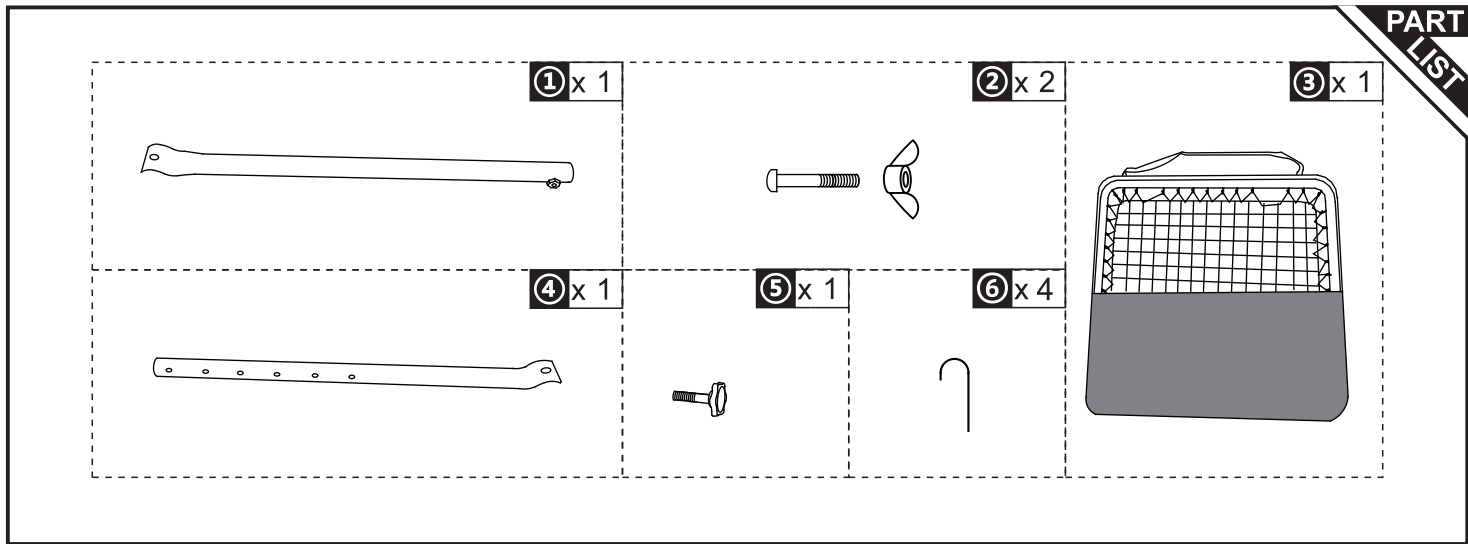
**Our contact details are below:**

Country	 Phone	 Email
UK	0044-800-240-4004	enquiries@mhstar.co.uk

**IMPORTER ADDRESS:**

MH STAR UK LTD  
Unit 27, Perivale Park,  
Horsenden lane South  
Perivale, UB6 7RH

MADE IN CHINA



How to fold: Disassemble the screw set and fold the frame.

