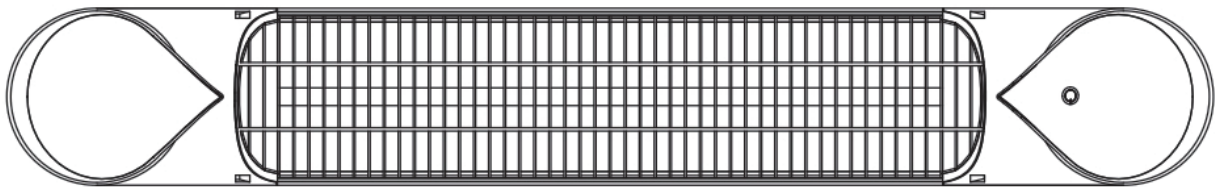




IN230600272V01_UK

842-182V70



CARBON INFRARED HEATER

MODEL NO.: SUNDEAR STAR



ASSEMBLY & OPERATION INSTRUCTIONS

WARNING

PLEASE READ THESE INSTRUCTIONS CAREFULLY AND KEEP SAFE FOR FUTURE REFERENCE.

We cannot be liable for any damages caused by failure to observe this instruction.

ASSEMBLY INSTRUCTION

CONTENTS

IMPORTANT SAFETY INSTRUCTIONS	3
INTRODUCTION	5
INSTALLATION	5
Tools Needed:	5
INSTALLATION ACCESSORIES:	7
Wall mounted installation	7
Ceiling mounted installation	8
Correct Wall / Ceiling Position	8
INSTALLATION WITH TRIPOD STAND-(optional)	9
OPERATING	9
Remote Control Instructions	9
Inserting Batteries	10
Troubleshooting	11
MAINTENANCE	11
CLEANING	11
ATTENTION	12
RECYCLING	12

If you have any questions, please contact our customer care center.

Our contact details are below:



0044-800-240-4004



enquiries@mhstar.co.uk

IMPORTER ADDRESS:
MH STAR UK LTD
Unit 27, Perivale Park,
Horsenden lane South
Perivale, UB6 7RH
MADE IN CHINA

IMPORTANT SAFETY INSTRUCTIONS

READ CAREFULLY-The infrared heater is designed for safe operation. Nevertheless, installation, maintenance and operation of the heater can be dangerous. Observing the following procedures will reduce the risk of fire, electric shock, injury to persons and keep installation time to a minimum. Save these instructions for future use.

1. Read all instructions carefully before using this heater.
2. Remove the unit from its packaging and check for any damages.
3. Do not allow children to play with parts of package (such as plastic bags).
4. Check the household voltage to ensure it matches the heater's specified rating.
5. Check the power cord and plug carefully before used, to make sure that they are not damaged.
6. Before unplugging the power cord, ensure the power is off. When switching on the unit, ensure your hands are dry to prevent from electric shock.
7. This heater is hot when in use. To avoid burns, do not let bare skin touch hot surfaces. If provided, use handles when moving this heater. Keep combustible materials, such as furniture, pillows, bedding, papers, clothes, and curtains at least 3 feet (0.9 m) from the front of the heater and keep them away from the sides and rear.
8. Extreme caution is necessary when any heater is used by or near persons (including children) with reduced physical, sensory or mental capabilities. Do not use near or in the immediate vicinity of a bath or swimming pool or any source of liquid.
9. To protect against electric shock, do not immerse the cord or plug into water or any other liquid.
10. Do not insert or allow foreign objects to enter any ventilation or exhaust opening, as this may cause an electric shock, fire, or damage to the heater.
11. Always unplug the heater when not in use.
12. Connect to properly grounded outlets only.
13. Always plug heaters directly into a wall outlet/receptacle. Never use with an extension cord or relocatable power tap (outlet/power strip).
14. Do not allow cord to overhang the countertop where it can be easily pulled by children.
15. Do not put fingers or foreign objects into the grill while in operation.
16. Do not leave the appliance unattended when in use.
17. This heater is not intended for use in bathrooms, laundry, and similar indoor locations, never locate the heater where it may fall into a bathtub or other water container.
18. No liability can be accepted for any damage caused by non-compliance with these instructions or any other improper use or mishandling.

19. This appliance is not intended for use by persons (including children) with reduces physical, sensory, or mental capabilities or lack of experience and knowledge unless they have been given supervision or instruction concerning the use of the appliance by a person responsible for their safety. Children and vulnerable people should be supervised to ensure they do not play with the appliance.
20. Use this heater only as described in this manual. Any other use not recommended by the manufacturer may cause fire, electric shock, or injury to persons.
21. Do not operate any heater with a damaged cord or plug or after the heater malfunctions, has been dropped or damaged in any manner. Disconnect power at service panel and have the heater inspected by a reputable electrician before reusing. If the supply cord is damaged in any way, it must be replaced by the manufacturer or its service agent or a similarly qualified person to avoid a hazard.
22. Do not run cord under carpeting. Do not cover cord with throw rugs, runners, or similar coverings. Do not route cord under furniture or appliances. Arrange the cord away from traffic area and where it will not be tripped over.
23. To disconnect heater, turn controls off, then remove plug from outlet.
24. To prevent overheating of this appliance, keep the air inlets and outlets clean and free of anything that may cause blockage. Check all inlets and outlets from time to time to ensure it is clear of any dirt or dust accumulation. **DO NOT COVER.**
25. A heater has hot and arcing or sparking parts inside. Do not use it in areas where gasoline, paint, or flammable liquids are used or stored.
26. Parts of the heater may exceed 200°C contact with the heating tube, reflector, or metal parts near the heating tube, may cause severe **BURNS**. To avoid burns, do not let bare skin touch hot surfaces.
27. **NEVER** place hands under the heating elements. **ALWAYS** allow heating element to cool at least 10 minutes before touching the heating tube or adjacent parts.
28. This product contains recyclable materials. Do not dispose this product as unsorted municipal waste. Please contact your local municipality for the nearest collection point.

SAVE THESE INSTRUCTIONS

INTRODUCTION

The SUNDEAR STAR carbon infrared heaters produce instant and comfortable heat like the sun. These robust and weatherproof heaters are designed for domestic and commercial heating applications within indoor and outdoor areas.

Model	SUNDEAR STAR
Voltage(V)	220-240V AC
Wattage(W)	800/1200/1600/2000
Hertz (Hz)	50
Dimensions W×H×D(mm)	900×130×89.5
Weight (KG)	3.0

INSTALLATION

TOOLS NEEDED:

* Pencil *Hammer *Level *Screwdriver *Power Drill and drill bits

A wall mounting bracket is provided with the heater which has been specifically designed to allow this product to be fitted to a ceiling. Before drilling the holders, ensure the ceiling is solid and there are no hidden water pipes or electric wires. The heater must be installed no less than 19.7" from side walls and no less than 2.4m off the floor.

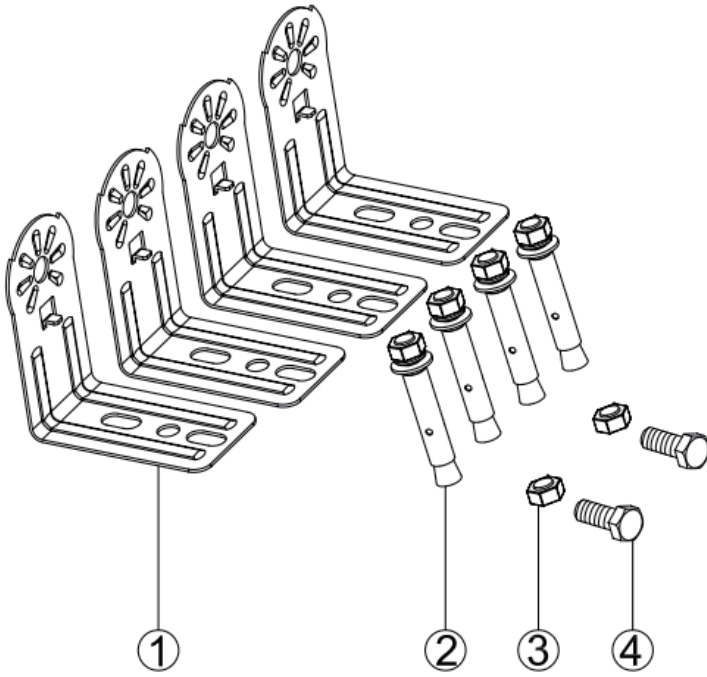
ATTENTION! The appliance must be installed on the solid surfaces like concrete, wood or metal etc.

Important: Ensure that the supply cables are well mounted and that it does not come into contact with the reflector of the heater or that it does not trail into the heated area. The supply cable can be fixed to the metal mounting bracket behind the heater with plastic zip ties.

1. This heater should be installed by a competent person, i.e. a qualified electrician.
2. Always disconnected the heater from the electricity supply and allow it to cool before moving.
3. For ceiling mounting, the lowest part of the heater must be located at or above a minimum height of 2.4m from ground level, so that the heater cannot be touched when in operation.
4. For ceiling mounting, there must be a 2.4m distance from your appliance to the ground.

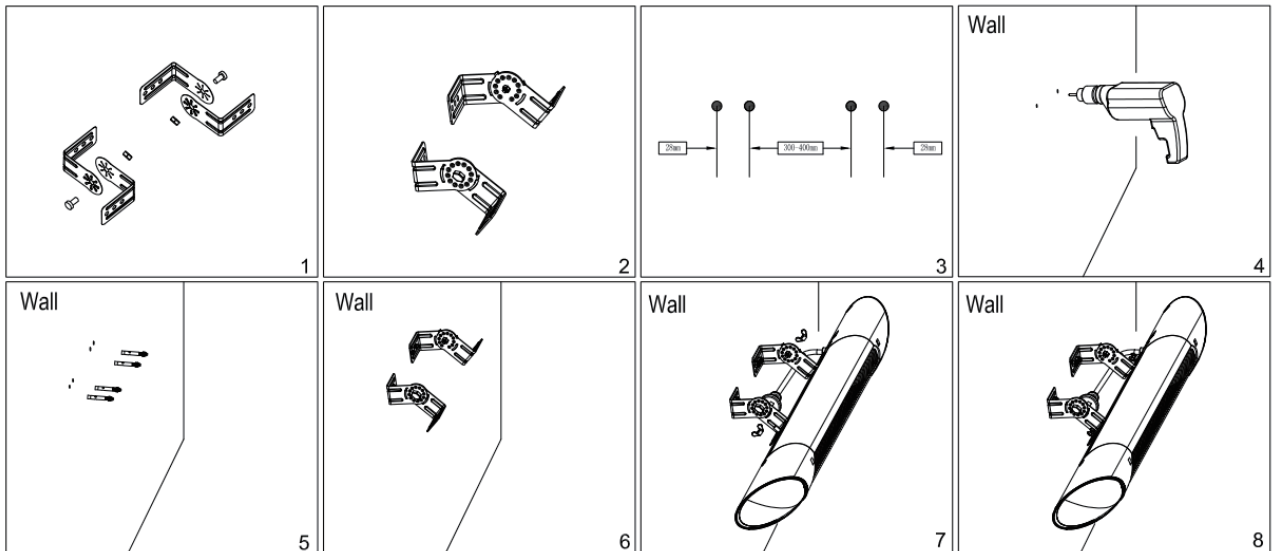
5. When installed on the ceiling, there must be a minimum clearance of 0.5m between corners and the appliance.
6. All persons should maintain a minimum distance of 1 metre from the appliance.
7. The distance from the front side of the heater to materials such as wood, carton, cloth etc., must be a minimum of 1 metre.
8. When mounting to a ceiling, do not position the heater at an angle more than 90° and less than 45°.
9. The supply cable must be at the lower end of the heater if the heater is installed at an angle or vertically.
10. Keep the supply cord away from the body of the heater which will get hot during use.
11. Do not install the heater on an inflammable surface.
12. Observe the minimum safe distance between the heater body and the inflammable surfaces when mounted.
13. The heater should always have a minimum clearance of 0.5m from a ceiling and adjacent wall.
14. If the heater is to be used outside, a weatherproof outlet is recommended.
15. Before drilling ensure that there are no wires or water pipes in the area where the heater is to be installed.
16. The heater must be installed on the mounting brackets provided.
17. Fasten the brackets securely to the mounting surface and the backside of the heater using the nuts and screws supplied.
18. Fasten the heater securely on the brackets using the nuts and bolts supplied.
19. The brackets can be used to adjust the direction of the heater, adjust the heater angle by loosening the two bolts on the wall mounting bracket, tighten the bolts again when the desired angle is reached.

INSTALLATION ACCESSORIES:

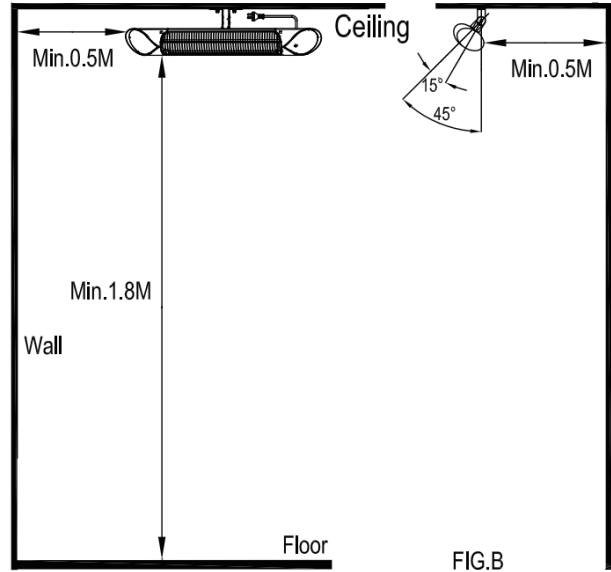
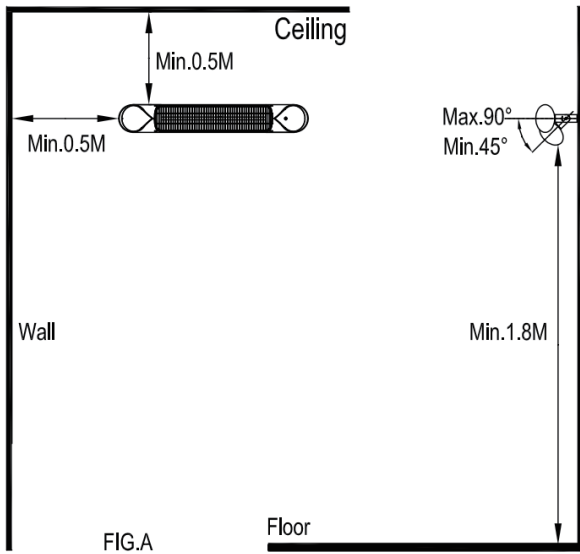


1	Bracket	L shape	4PCS
2	screw	M6mm*60mm	4PCS
3	nut	M6mm	2PCS
4	screw	M6mm*12mm	2PCS

WALL MOUNTED INSTALLATION



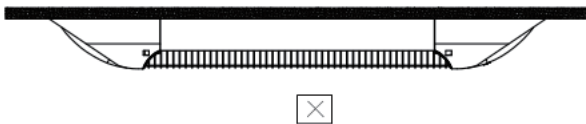
CEILING MOUNTED INSTALLATION



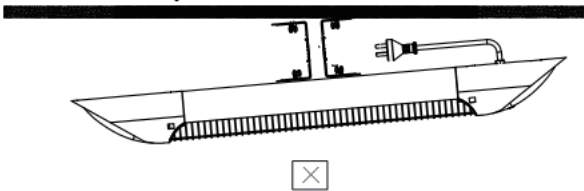
CORRECT WALL / CEILING POSITION

IMPORTANT:

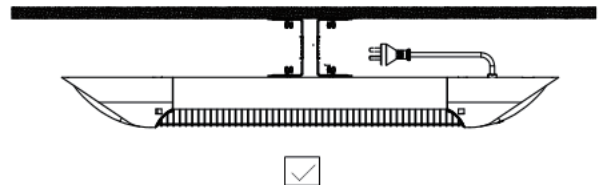
1. Products can not be tightly installed



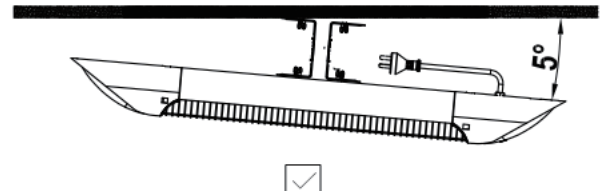
2. The product power cord can not be mounted horizontally



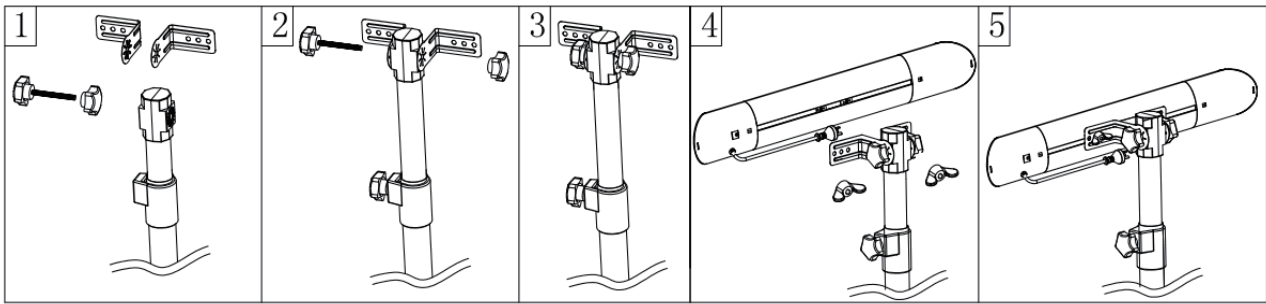
The product requires an L bracket to separate the product from the mounting plate



The product power cord can be installed downwards



INSTALLATION WITH TRIPOD STAND-(OPTIONAL)

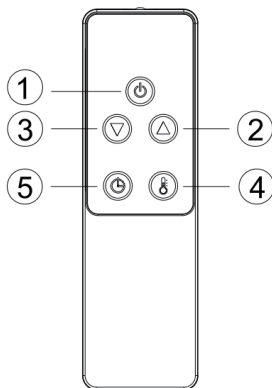


OPERATING

Product Key Function:

1. Turn on the power, the product is standby mode display (- -);
2. Press key function: press the button, then press the heat levels (L1-L2-L3-L4- standby - off)

REMOTE CONTROL INSTRUCTIONS



1. **POWER BUTTON:** Turn the heater off.
2. **UP BUTTON:** Increase timer and level.
3. **DOWN BUTTON:** Decrease timer and level.
4. **LEVEL BUTTON:** Use to adjust the heat levels(L1-L4). Press the Level button then use the up and down buttons (buttons 2 and 3) to increase or decrease the heating level.
5. **TIMER BUTTON:** To set the timer from 0H-24H, which is the number of hours it will run. 0H will display and then adjust to the number of hours you would like to set, using the up and down buttons (2 and 3).

Noted: All SUNDEAR STAR heaters and their remote controls have the same frequency, so it is possible to control several heaters with just one remote.

INSERTING BATTERIES

Insert 2 AAA/ Alkaline type batteries into your remote control.

1. Flip the back of your remote control and pull out the battery cover. Insert the batteries in accordance with the instructions and polarity the batteries.
2. Change the batteries in the same way depicted above.

NOTICE:

1. Replace the old batteries with the same type batteries. Otherwise, your heater may not function well.
2. Pull out the batteries in case of long terms of disuse to prevent leakage which may impair your remote control.
3. Do not allow water or liquid to get into the remote control.

CAUTION:

When the appliance is not operated for a long period of time, cleaning or maintenance is conducted or when the location of the heater is changed, the heater should be turned to OFF and unplugged from the electrical connection.

Periodic inspection and removal of dirt and contaminants will ensure the equipment can be operated safely.

TROUBLESHOOTING

1. Check if the power cord is plugged into an electrical outlet, if not, plug in.
2. Check if electricity to the main fuse is working
3. Error code shows on display

E1 Error on display: Control unit overheat. Check installation clearances.

E2 Error on Display: Trip over function, make heater less than 60° working angel and restart heater

L1,2,3,4 shows in display, but no heat: Bulb is damaged. Arrange for replacement bulb with local Dealer.

MAINTENANCE

Attention! Careful and regular maintenance of your heater as outlined in the instructions is very important to attain a long efficient operation of your appliance.

1. Check the filthiness of the Reflector and IR-Filament at least once a month. If necessary, apply cleaning and maintenance instructions.
2. The number of checks may be increased considering the amount of the dust in the environment.
3. Check the deformation of the Reflector, Wire and Frame visually while cleaning the appliance. In case of deformation, consult to your technical service.
4. Check the Power Cord and Plug visually while cleaning the appliance. In case of deformation, consult to your technical service.

CLEANING

Regular and careful cleaning helps your infrared heater operate efficiently for many trouble-free years. To clean your heater follow steps below:

1. Unplug the power cord for your safety before cleaning your appliance.
2. Make sure the heater is cool before continuing.

3. To keep the heater clean, the outer shell maybe cleaned with a soft, damp cloth. You may use a mild detergent if necessary. After cleaning, dry the unit with a soft cloth. (CAUTION: DO NOT let liquids enter the heater).
4. **DO NOT** use alcohol, gasoline, abrasive powders, furniture polish or rough brushes to clean the heater. This may cause damage or deterioration to the surface of the heater.
5. **DO NOT** immerse the heater in water.
6. Wait until the heater is completely dry before use.

Storage: Store the heater in a cool, dry location when not in use to prevent dust and dirt build up. Use packaging carton to store.

ATTENTION:

1. Always disconnect the heater from the electricity supply and allow it to cool before attempting to work on it.
2. If the heater has collected dust or dirt inside the unit or around the heating element, have to unit cleaned by a qualified service agent. Do not operate the heater in this condition.
3. The only maintenance required is cleaning of the external surfaces of the heater.
4. Do not touch the heating element with bare fingers, as residue from your hand could affect the life of the lamp. If it is accidentally touched, remove the finger marks with a soft cloth moistened with mentholated spirit or alcohol.
5. Do not attempt to repair or adjust any electrical or mechanical functions on this heater.
6. The heater contains no user serviceable parts. Should the product suffer damage or breakdown, it must be returned to the manufacturer or its service agent.
7. Damaged supply cords to be replaced by the manufacturer, service agent or similarly qualified person to avoid hazard.

RECYCLING

At the end of the electrical products useful life it should not be disposed of with household waste. Please recycle where facilities exist. Check with your Local Authority or retailer for recycling advice in your country.