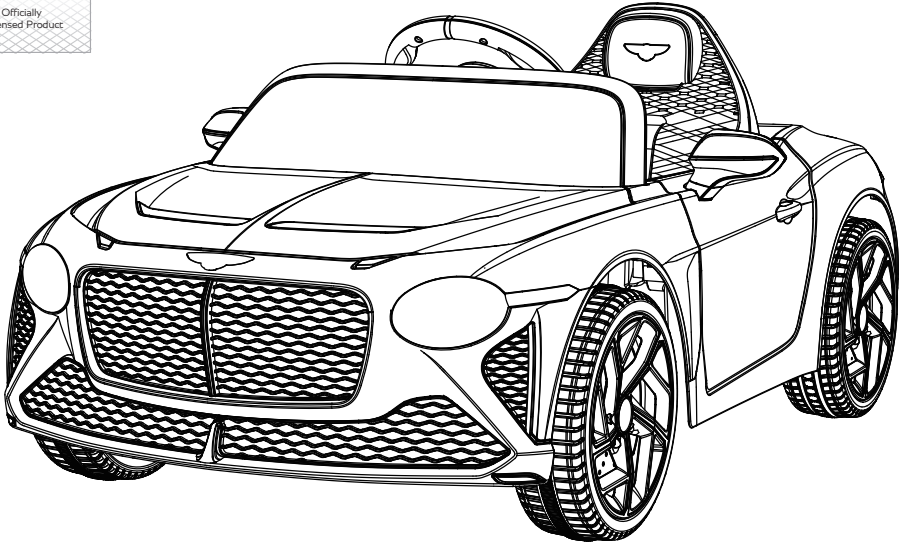




BENTLEY BACALAR

BATTERY POWERED RIDE-ON

IN230600438V01_UK
370-293V70



Owner's Manual

with Assembly Instructions

Styles and colo(u)rs may vary.
Made in China.

The owner's manual contains important safety information as well as assembly, use and maintenance instructions.

The Ride-on Car must be assembled by an adult who has read and understands the instructions in this manual.

Keep the package away from children and dispose of properly before use.

Keep this manual for future reference.

On the purchase of your new Ride-On.

This ride-on will provide your child with many miles of riding enjoyment. To help ensure a safe ride we ask you to please read this manual carefully, and keep it for future reference.

Please follow the recommendations in this manual, they are designed to improve the safety and operation of your ride-on car and it's rider.

Made by Zhejiang Jiajia Ride-On Co., Ltd in China under license from Bentley Motors Limited.

SPECIFICATIONS:

Battery	12V4.5AH *1
Charger	12V500mA

Suitable age: 37-96 months

Load Capacity: Under 30kg

Speed: 3-5km/h

Size of ride-on car: 108 * 65 * 45 CM

Power way: Charging type

Charge time: 8-12 hours

WARNING!

- **CHOKING HAZARD** - Small parts. Not suitable for children under 36 months. The product contains small parts, keep children away when assembling.
- **ADULT ASSEMBLY REQUIRED.**
- Always remove protective material and poly bags and dispose before assembly.
- Protective equipment should be worn. Always wear shoes and sit in the seat when operating the vehicle.
- Only drive on level ground. Never use on the lawn.
- Never leave a child unattended.
- Keep your hands, hair, and clothes away from moving parts.

SAFETY

The following safety hazards may result in serious injury or death:

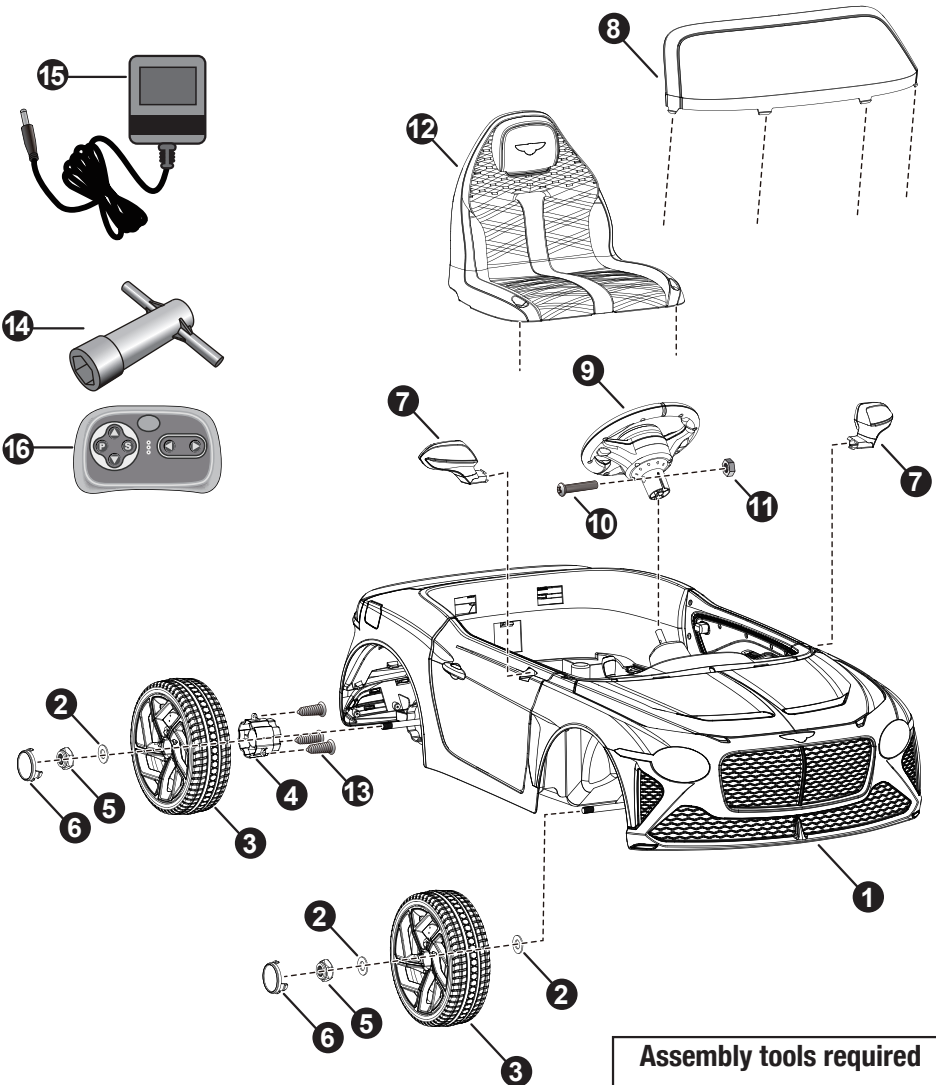
- Never leave child unattended. Direct adult supervision is required. Always keep child in view when child is in vehicle.
- To reduce the risk of injury, adult supervision is required. Never use in roadways, near motor vehicles, on or near steep inclines or steps, swimming pools or other bodies of water, always wear shoes, and never allow more than 1 rider.
- Never use in unsafe conditions such as snow, rain, loose dirt, mud, sand, or gravel, otherwise may result in an unexpected accident such as tipping over, and could damage the electrical system or battery
- Not to be used in traffic.
- This toy should be used with caution since skill is required to avoid falls or collisions causing injury to the user or third parties.
- This toy is unsuitable for children under 36 months due to its maximum speed; Maximum user weight is 30kg.
- This toy has no brake.

BATTERY INFORMATION

- Non-rechargeable batteries are not to be recharged.
- Rechargeable batteries are to be removed from the toy before being charged.
- Rechargeable batteries are only to be charged under adult supervision.
- Different types of batteries or new and used batteries are not to be mixed.
- Batteries are to be inserted with the correct polarity.
- Exhausted batteries are to be removed from the toy.
- The supply terminals are not to be short-circuited.

Parts Diagram | 3


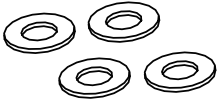

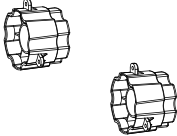
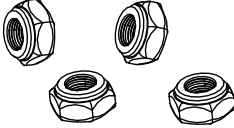



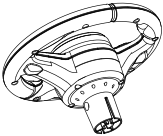
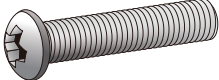



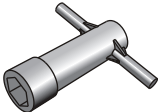


HINT: Some parts shown are assembled on both sides of vehicle

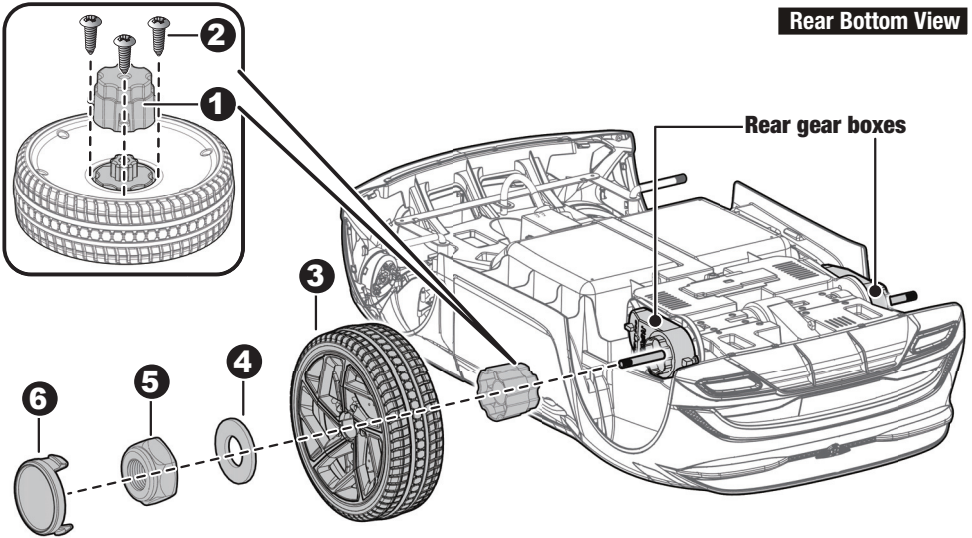


**Assembly tools required
(not included):**



Screwdriver

<p>A Vehicle body x1</p> 	<p>B Ø10 washer x1</p> 	<p>C Wheel x4</p> 
<p>D Wheel driver x2</p> 	<p>E Lock nut x4</p> 	<p>F Hubcap x4</p> 
<p>G Side mirror x2</p> 	<p>H Windshield x1</p> 	<p>I Steering wheel x1</p> 
<p>A M5x30 machine screw x1</p> 	<p>K Ø5 nut x1</p> 	<p>L Seat x1</p> 
<p>M Ø4x16 screw x3</p> 	<p>N Spanner x1</p> 	<p>O Charger x1</p> 
<p>P Remote controller x1</p> 		



Remove all the parts from the rear axle.

1-2. Fit the wheel driver to the wheel. Insert and tighten three $\varnothing 4 \times 16$ screws to secure the wheel driver to the wheel.

3. Slide the wheel onto the rear axle (Left Side). Keep the wheel driver match up with the gear box on the rear axle.

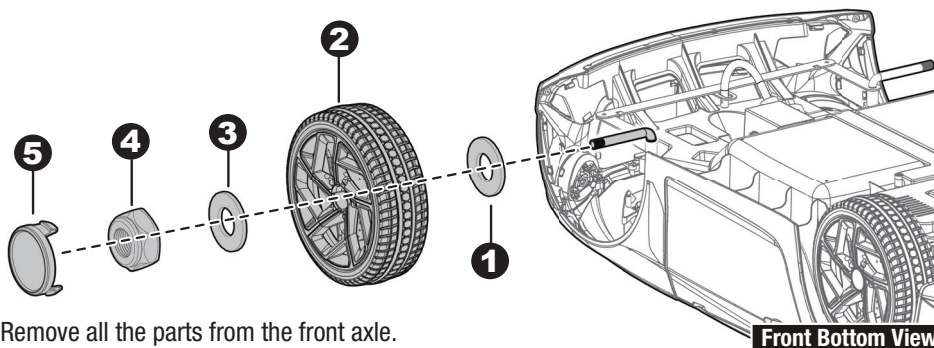
4. Slide a $\varnothing 10$ washer onto the rear axle.

5. Tighten a lock nut to the end of the rear axle with a spanner.

Repeat the above procedure to assemble the other Rear Wheel.

HINT: An extra spanner has been provided to hold the Lock Nut on the other side of the rear axle while tightening the Lock Nut on the other side.

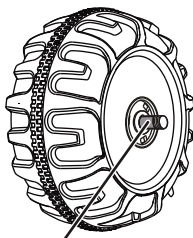
6. Fit the hub caps to the wheels.



Remove all the parts from the front axle.

1. Slide a $\varnothing 10$ washer onto the front axle.
2. Slide a wheel onto the front axle.
3. Slide a $\varnothing 10$ washer onto the front axle.
4. Tighten a lock nut to the end of the front axle with a spanner. DO NOT over tighten.
5. “Snap” the hubcap to the wheel.

Repeat the above procedure to assemble the other Front Wheel.



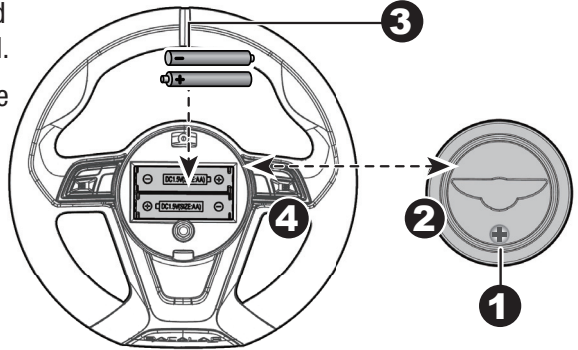
GAP

After assembling any wheel to the axles, please check the gap between the screw thread and the collapsible (refer to below picture), if the gap is too big, please add two or three washers inside the wheel, but after tightening the nut outside the wheel, please turn the wheel by your finger to check if the wheel can run smoothly, this is very important, because if the wheel can run smoothly, it is ok, but if the nut press the wheel and the wheel can't run smoothly, the motor will be broken easily! Then you need to decrease one or two washers to make sure the wheel can run smoothly!

Attach the Steering Wheel | 7

HINT: If the steering wheel of your vehicle equipped with the sound function, please follow the steps 1-4 to add the batteries (Not Included), and refer to the battery information on page 2.

1. With a screwdriver loosen the screw on the battery cover located in the center of the steering wheel.
2. Remove the battery cover from the top of the battery compartment.
3. Insert 2x1.5 AA batteries in their correct polarities.
4. Place the battery cover over the battery compartment and fasten with the screw you loosened in step one.

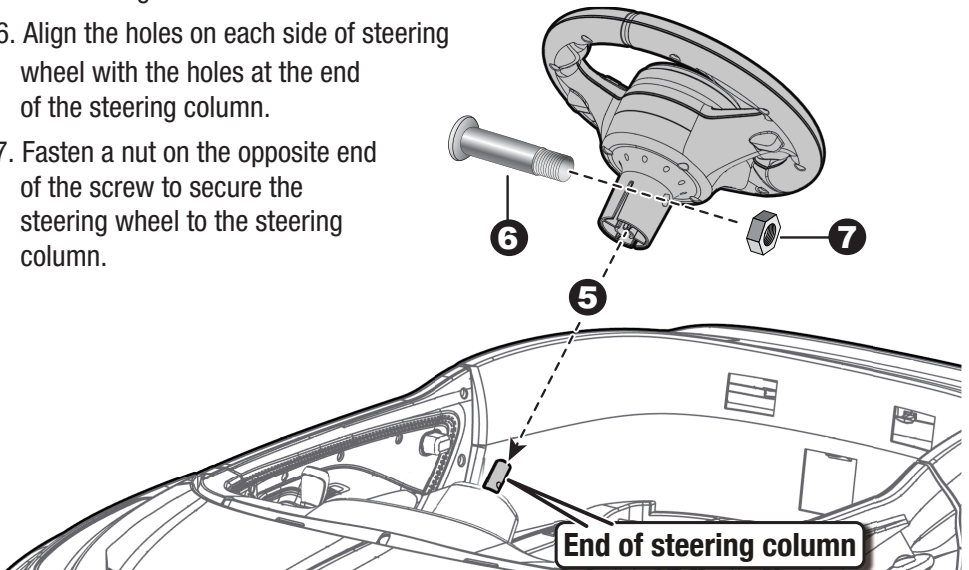


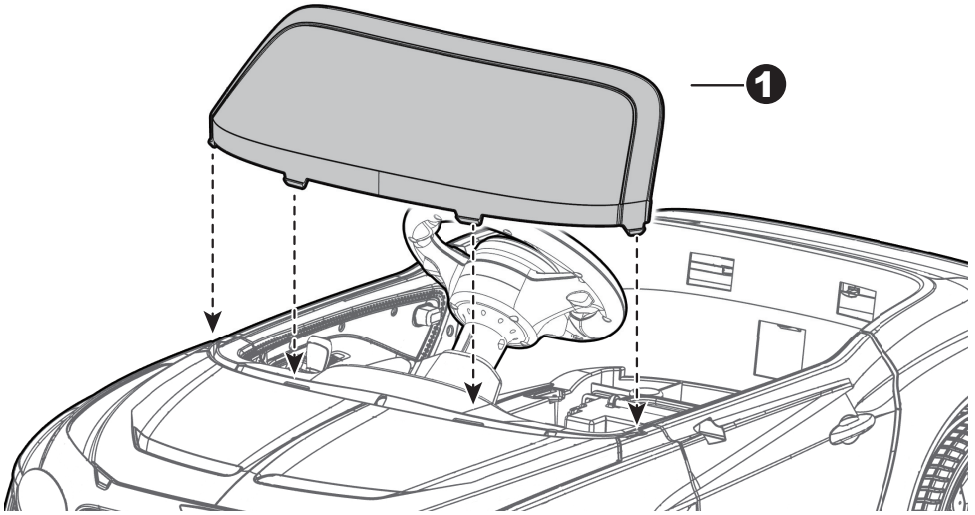
Attach the Steering Wheel

Remove the M5x30 machine screw and Ø5 nut from the steering wheel.

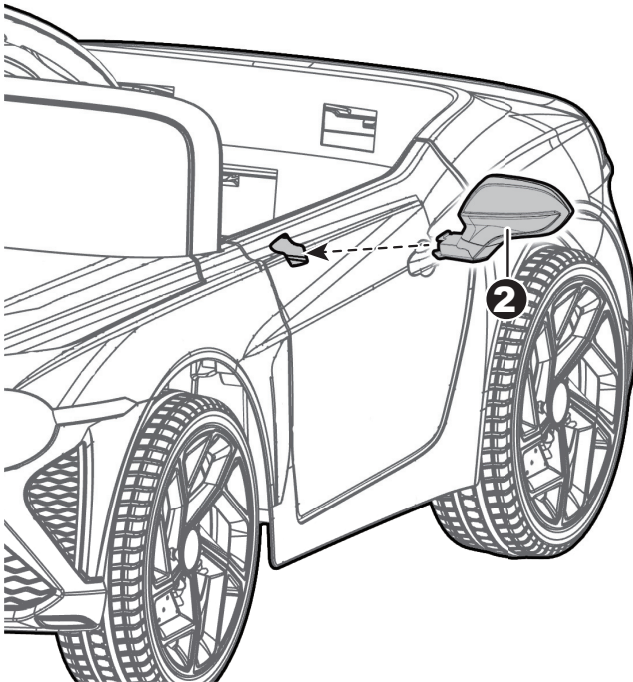
Turn the vehicle body upright.

5. Place the steering wheel over the the steering column, protruding from the middle of the steering wheel base.
6. Align the holes on each side of steering wheel with the holes at the end of the steering column.
7. Fasten a nut on the opposite end of the screw to secure the steering wheel to the steering column.

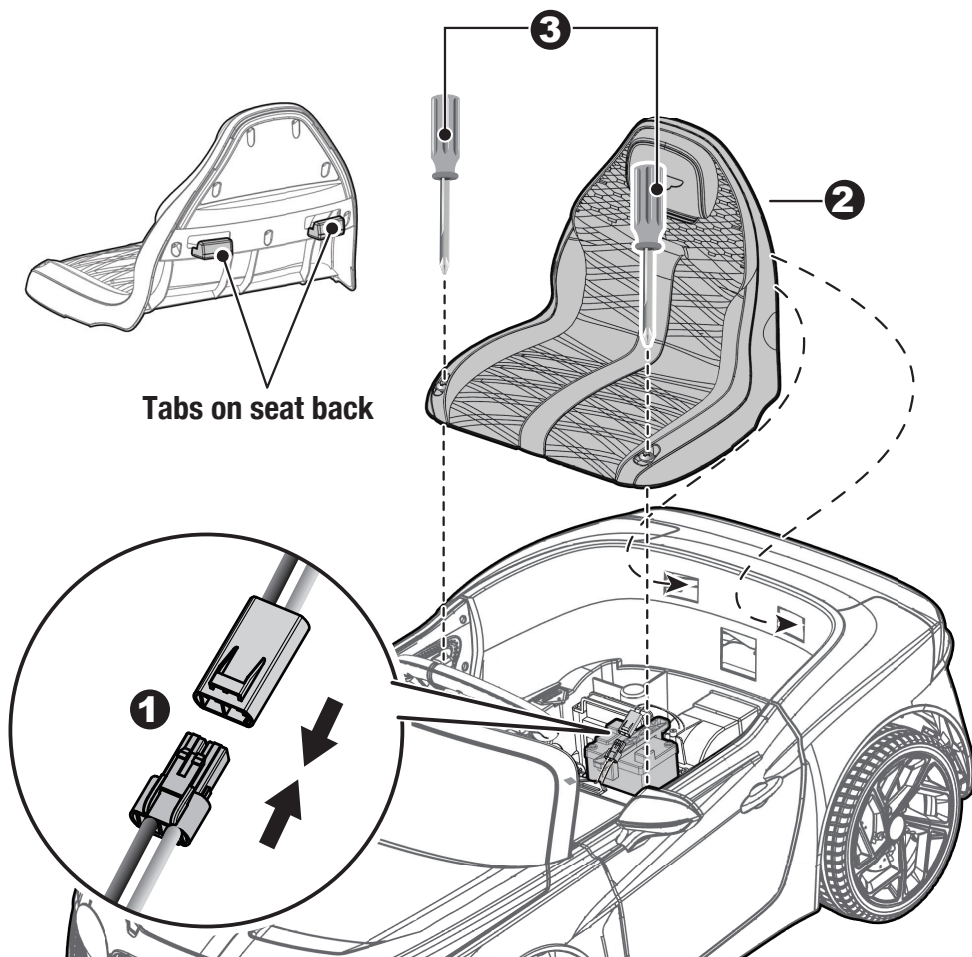


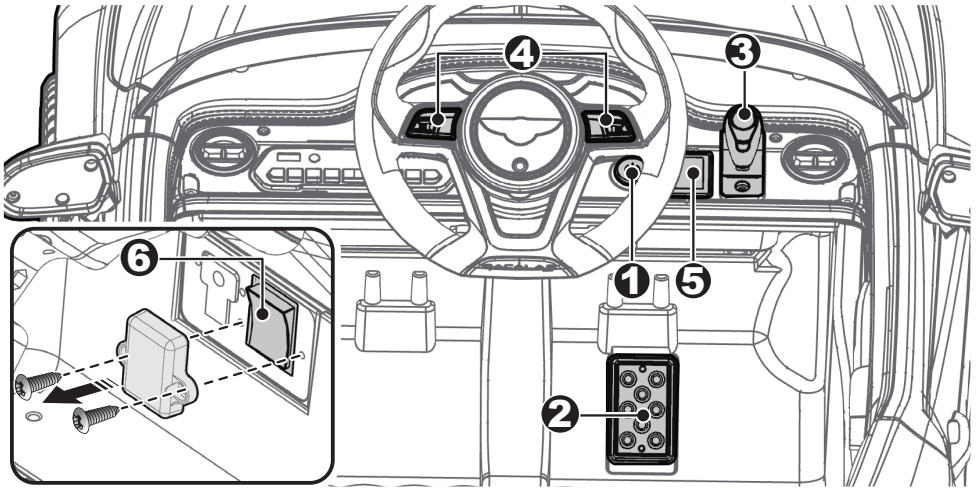


1. Fit the tabs windshield into the grooves on the vehicle. Press until you hear it “click” into place.
2. Fit the side mirrors to the holes on the both doors, push until you hear them “click” into place.



1. Plug the vehicle connector into the connector on the battery.
2. Fit the tabs on the seat back into the grooves on the rear of the vehicle.
3. With a screwdriver tighten the M5x16 screws on the top of the seat into the holes in the vehicle.





- 1. Power button:** Turns the product on and off.
- 2. Foot pedal:** Applies power (speed) to the product.
 - To move the product, press the pedal down.
 - To brake or slow down, release pressure from the pedal.
- 3. Forward/reverse level:** Changes the direction that product moves from forward to reverse.
 - To move the product forward, shift the lever to top position.
 - To move the product backward, shift the lever to down position.
- 4. Sound buttons:** Press for sound playing.
- 5. High/Low speed switch (if equipped):**
Operates the product to move forward in high speed and low speed.
- 6. R/C - PEDAL Switch: (if equipped. Need to open the protective cover first):**
Operates the product control by remote control or foot pedal.

IMPORTANT

- **Always stop vehicle when changing the speed or direction to avoid damage the gears and motor.**
- **HIGH SPEED (If equipped): Make sure your child knows how to steer, how to start and stop the product and knows the rules for safe driving.**



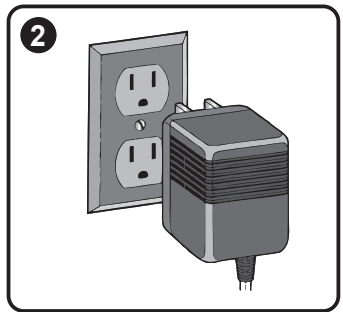
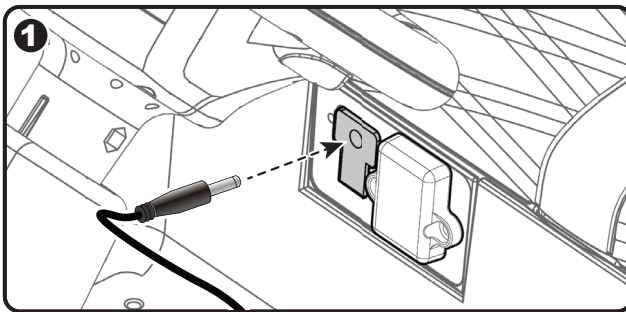
Use the vehicle on generally level ground **ONLY!**

DO NOT Use the vehicle on Lawn space!

WARNING!

- **ONLY an adult is allowed charge and recharge the battery!**
 - **This product with Charging Protection: when charging, all functions will be cut off.**
- The POWER SWITCH must be turned in OFF position when charging.
 - Before the first use, you should charge the battery for 4-6 hours. Do not recharge the battery for more than 10 hours to avoid overheating the charger.
 - When the vehicle begins to run slowly, recharge the battery.
 - After each use or once a month minimum recharge time as 8 to 12 hours, less than 20 hours at most.
 - Use only battery(ies) and charger specified by the manufacturer. Using another battery or charger may cause a fire or explosion. Do not use the battery or charger for any other product.
 - If your ride-on with a Digital voltmeter(IF EQUIPPED), the magnitude of voltage will tell you how much power is remaining in the battery when you must recharge the battery. Make sure the vehicle is stop!

12V product	less than 12.5V	The battery needs to be charge.



1. Plug the charger port into the input socket (the socket is below the seat).
2. Plug the charger plug into a wall outlet. The battery will begin charging.

Battery Disposal



The battery will eventually lose the ability to hold a charge. Depending on the amount of use, and varying conditions, the battery should operate for one to three years.

Important! Recycle the dead battery responsibly. The battery contains lead acid (electrolyte) and must be disposed of properly and legally. It is illegal in most areas to incinerate lead acid batteries or dispose of them in landfills. Take it to a federal or state-approved lead acid battery recycler, such as local automotive battery retailer.

Do not throw the battery away with your regular household waste!

Problem	Possible Cause	Solution
Vehicle does not run	Battery low on power	Recharge battery.
	Thermal fuse has tripped	Reset fuse, see <Fuse>
	Battery connector or wires are loose	Check that the battery connectors are firmly plugged into each other. If wires are loose around the motor contact your distributor please.
	Battery is dead	Replace battery, contact your distributor please.
	Electrical system is damaged	Contact your distributor please.
	Motor is damaged	Contact your distributor please.
Vehicle does not run very long	Battery is under charged	Check that the battery connectors are firmly plugged into each other when recharging
	Battery is old	Replace battery, contact your distributor please.
Vehicle runs sluggishly	Battery low on power	Recharge battery, contact your distributor please.
	Battery is old	Replace battery, contact your distributor please.
	Vehicle is overload	Reduce weight on vehicle.
	Vehicle is being used in harsh conditions	Avoid using vehicle in harsh conditions, see <Safety>.
Vehicle needs a push to go forward	Poor contact of wires or connectors	Check that the battery connectors are firmly plugged into each other. If wires are loose around the motor, contact your distributor please.
	“Dead Spot” on motor	A dead spot means the electric power is not being delivered to the terminal connection and the vehicle needs repair. Contact your distributor please.
Difficult shifting from forward to reverse or vice-versa	Attempting to shift while the vehicle is motion	Completely stop the vehicle and shift, see <Use Your Ride-On>
Loud grinding or clicking noises coming from motor or gear box	Motor or gears are damaged	Contact your distributor please.
Battery will not recharge	Battery connector or adapter connector is loose	Check that the battery connectors are firmly plugged into each other.
	Charger not plugged in	Check that the battery charger is plugged into a working wall outlet.
	Charger is not working	Contact your distributor please.
Charger feels warm when recharging	This is normal and not a cause for concern	

Completely read through this manual and the troubleshooting guide table before calling. If you still need help resolving the problem **Contact your distributor please.**

- It is parents' responsibility to check main parts of the toy before using, Must regularly examine for potential hazard, such as the battery, charge, cable or cord, plug, screws are fastening enclosure of other parts and that in the event of such damage, the toy must not be used until that damage had been properly removed.
- Park the vehicle indoors or cover it with a tarp to protect it from wet weather.
- Recharge the battery after each use. Only an adult can handle the battery. Recharge the battery at least once a month when the vehicle raider is not being used.
- Do not wash the vehicle with a hose. Do not wash the vehicle with soap and water. Do not drive the vehicle in rainy or snowy weather. Water will damage the motor, electric system and battery.
- Clean the vehicle with a soft, dry cloth. To restore shine to plastic parts, use a non-wax furniture polish. Do not use car wax. Do not use abrasive cleaners.
- When not using, all the electrical source should be turn off. Turn off the power switch and disconnect the battery connection.

Fuse

The battery features a thermal fuse with a reset fuse that will automatically trip and cut all power to the vehicle if the motor, electric system or battery is overloaded. The fuse will reset and power will be restored after the unit is turned OFF for 20 seconds and then turned ON again. If the thermal fuse trips repeatedly during normal use, the vehicle may need repair. **Contact your distributor please.**

To avoid losing power, follow these guidelines:

- Do not overload the vehicle.
- Do not tow anything behind the vehicle.
- Do not drive up steep slopes.
- Do not drive into fixed objects, which may cause the wheels to spin, causing the motor to overheat.
- Do not drive in very hot weather, components may overheat.
- Do not allow water or other liquids to come in contact with the battery or other electric components.
- Do not tamper with the electric system. Doing so may create a short, causing the fuse to trip.



RISK OF FIRE. Do not bypass. Replace only with a new fuse.

**Our products are suitable for
ASTM F963; GB6675; EN71 and EN62115 standard.**

Model identifie	370-293V70	
Input voltage	AC 100-240	V
Input AC frequency	50/60	Hz
Output voltage	DC 12	V
Output current	0.5	A
Output power		W
Average active efficiency	79.2	%
Efficiency at low load (10 %)	72.4	%
No-load power consumption	0.08	W



If you have any questions, please contact our customer care center.

Our contact details are below:



0044-800-240-4004



enquiries@mhstar.co.uk

IMPORTER ADDRESS:

MH STAR UK LTD

Unit 27, Perivale Park,

Horsenden lane South

Perivale, UB6 7RH

MADE IN CHINA

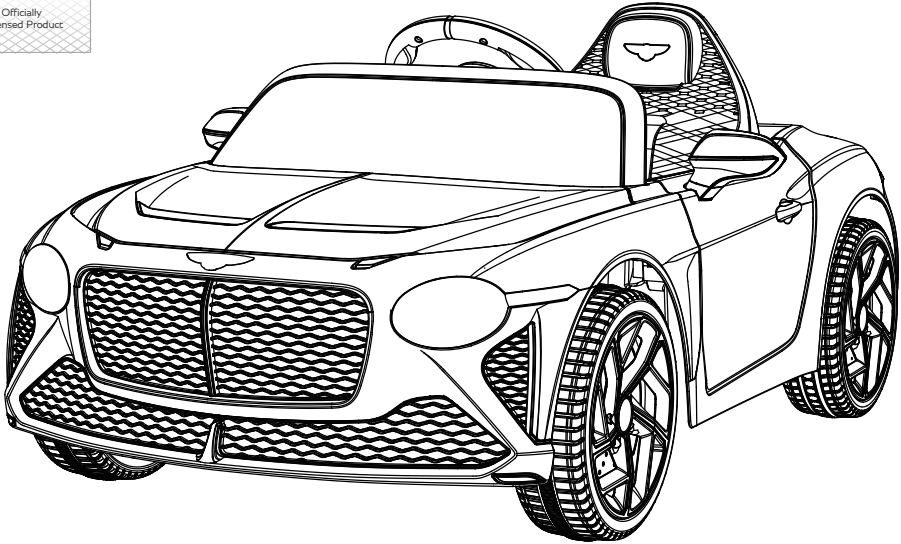


BENTLEY BACALAR

AUTOPORTÉE ALIMENTÉE PAR BATTERIE

IN230600438V01_FR

370-293V90



UK
CA CE

Manuel d'Instructions

Avec instructions d'assemblage

Les styles et les couleurs peuvent varier.
Fabriqué en Chine.

Le manuel d'instructions contient des informations importantes sur la sécurité, ainsi que des instructions d'assemblage, d'utilisation et de maintenance.

La voiture doit être assemblée par un adulte ayant lu et compris les instructions de ce manuel.

Conservez l'emballage hors de portée des enfants et éliminez-le avant l'utilisation.

Conservez ce manuel pour référence ultérieure.

À l'achat de votre nouveau véhicule.

Ce véhicule procurera à votre enfant de nombreux kilomètres de plaisir. Pour vous assurer une conduite sûre, ainsi qu'à votre enfant, nous vous prions de lire attentivement ce manuel et de le conserver pour référence ultérieure.

Suivez les recommandations de ce manuel, elles sont conçues pour assurer la sécurité et le fonctionnement de votre voiture et de son conducteur.

Fabriqué par Zhejiang Jiajia Ride-On Co. en Chine sous licence de Bentley Motors Limited.

SPÉCIFICATIONS:

Pile	12V4.5AH *1
Chargeur	12V500mA

Âge approprié: 37-96 mois

Capacité de charge: Moins de 30 kg

Vitesse: 3-5km/h

Dimensions : 108 * 65 * 45 CM

Moyen de puissance: Type de charge

Temps de charge: 8-12 heures

AVERTISSEMENT !

- DANGER ÉTROIT - Petites pièces. Ne convient pas aux enfants de moins de 36 mois. Le produit contient de petites pièces, tenez les enfants à l'écart lors du montage.
- ASSEMBLAGE PAR UN ADULTE REQUIS.
- Toujours enlever le matériel de protection et les sacs en poly et les éliminer avant l'assemblage.
- Il faut porter un équipement de protection. Portez toujours des chaussures et asseyez-vous sur le siège lorsque vous utilisez le véhicule.
- Ne roulez que sur un terrain plat. Ne jamais utiliser sur la pelouse.
- Ne laissez jamais un enfant sans surveillance.
- Gardez vos mains, vos cheveux et vos vêtements loin des pièces en mouvement

SÉCURITÉ

Les risques de sécurité suivants peuvent entraîner des blessures graves ou la mort :

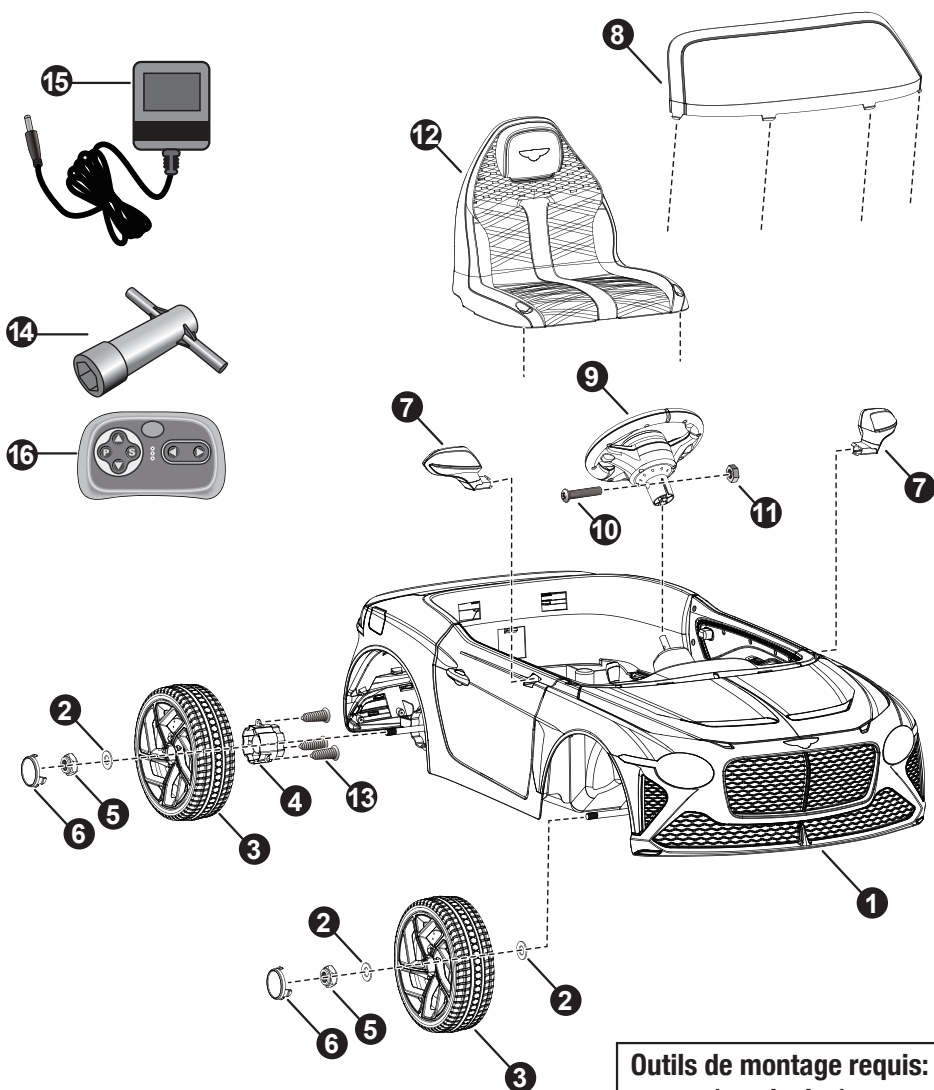
- Ne jamais laisser l'enfant sans surveillance. La surveillance directe d'un adulte est nécessaire. Gardez toujours l'enfant en vue lorsqu'il est dans le véhicule.
- Pour réduire le risque de blessure, la surveillance d'un adulte est nécessaire. Ne jamais utiliser sur les routes, à proximité de véhicules à moteur, sur ou à proximité de pentes ou de marches raides, de piscines ou d'autres étendues d'eau, toujours porter des chaussures, et ne jamais autoriser plus d'un passager.
- Ne jamais utiliser dans des conditions dangereuses telles que la neige, la pluie, la terre meuble, la boue, le sable ou le gravier, car cela pourrait provoquer un accident inattendu, comme le renversement, et endommager le système électrique ou la batterie.
- Ne pas utiliser dans la circulation.
- Ce jouet doit être utilisé avec prudence, car il faut savoir éviter les chutes ou les collisions qui pourraient causer des blessures à l'utilisateur ou à des tiers.
- Ce jouet ne convient pas aux enfants de moins de 36 mois en raison de sa vitesse maximale ; le poids maximal de l'utilisateur est de 30 kg.
- Ce jouet n'a pas de frein.

INFORMATIONS SUR LA BATTERIE

- Les piles non rechargeables ne doivent pas être rechargées.
- Les piles rechargeables doivent être retirées du jouet avant d'être rechargées.
- Les piles rechargeables ne doivent être rechargées que sous la surveillance d'un adulte.
- Les différents types de piles ou les piles neuves et usagées ne doivent pas être mélangés.
- Les piles doivent être insérées avec la polarité correcte.
- Les piles épuisées doivent être retirées du jouet.
- Les bornes d'alimentation ne doivent pas être court-circuitées.

Schéma des pièces | 3


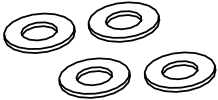

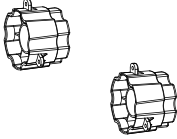
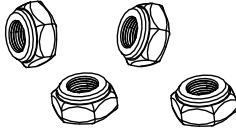


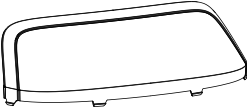
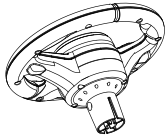
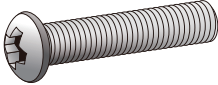
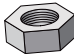

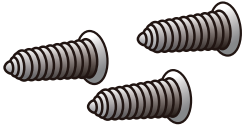
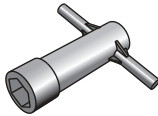


CONSEIL: Certaines pièces illustrées sont assemblées des deux côtés du véhicule.

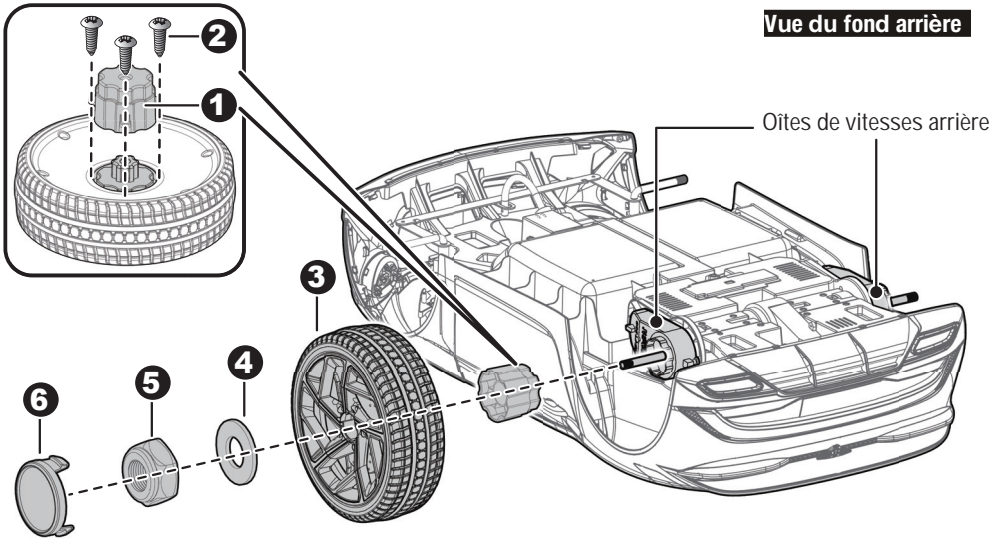


Outils de montage requis:
(non inclus):



Tournevis

<p>A Carrosserie x1</p> 	<p>B Rondelle Ø10 x1</p> 	<p>C Roue x4</p> 
<p>D Entraîneur de roue x2</p> 	<p>E Contre-écrou x4</p> 	<p>F Enjoliveur x4</p> 
<p>G Rétroviseur x2</p> 	<p>H Pare-brise x1</p> 	<p>I Volant de direction x1</p> 
<p>A Vis mécanique M5x30 x1</p> 	<p>K Ecrou Ø5 x1</p> 	<p>L Siège x1</p> 
<p>M Vis Ø4x16 x3</p> 	<p>N Clé x1</p> 	<p>O Chargeur x1</p> 
<p>P Télécommande x1</p> 		



Retirer toutes les pièces de l'essieu arrière.

1-2. Monter l'entraîneur de roue sur la roue. Insérer et serrer trois vis $\varnothing 4 \times 16$ pour fixer l'entraîneur de roue à la roue.

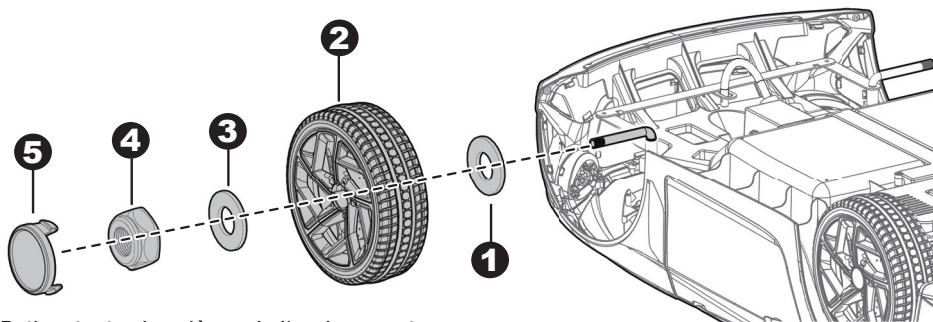
3. Faire glisser la roue sur l'essieu arrière (côté gauche). Veillez à ce que l'entraîneur de roue corresponde à la boîte de vitesses de l'essieu arrière.

4. Faire glisser une rondelle $\varnothing 10$ sur l'essieu arrière.

5. Serrer un contre-écrou à l'extrémité de l'essieu arrière à l'aide d'une clé. Répéter la procédure ci-dessus pour assembler l'autre roue arrière.

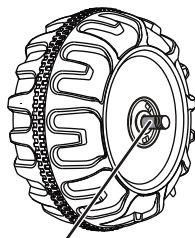
CONSEIL: Une clé supplémentaire a été fournie pour maintenir le contre-écrou de l'autre côté de l'essieu arrière pendant le serrage du contre-écrou de l'autre côté.

6. Monter les enjoliveurs sur les roues.



Retirez toutes les pièces de l'essieu avant.

1. Faites glisser une rondelle $\varnothing 10$ sur l'essieu avant.
 2. Faire glisser une roue sur l'axe avant.
 3. Faites glisser une rondelle $\varnothing 10$ sur l'essieu avant.
 4. Serrez un écrou de blocage au bout de l'essieu avant avec une clé. Ne pas trop serrer.
 5. «Enclenchez» l'enjoliveur sur la roue.
- Répétez la procédure ci-dessus pour assembler l'autre roue normale.



GAP

Après avoir assemblé une roue sur les essieux, veuillez vérifier l'espace entre le filetage de la vis et le pli (voir l'image ci-dessous), si l'espace est trop grand, veuillez ajouter deux ou trois rondelles à l'intérieur de la roue, mais après avoir serré l'écrou à l'extérieur de la roue, veuillez tourner la roue avec votre doigt pour vérifier si la roue peut tourner sans problème, c'est très important, car si la roue peut tourner sans problème, c'est bon, mais si l'écrou appuie sur la roue et que la roue ne peut pas tourner sans problème, le moteur sera facilement cassé ! Il faut alors diminuer une ou deux rondelles pour s'assurer que la roue peut tourner sans problème!

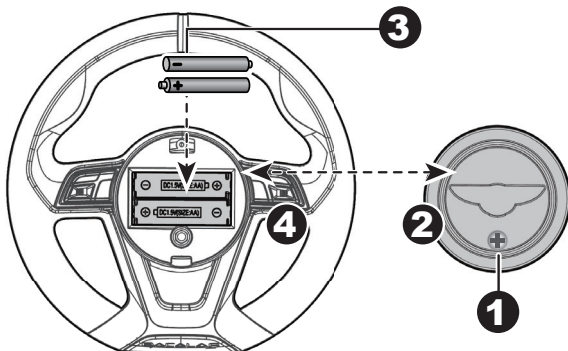
CONSEIL: si le volant de votre véhicule est équipé de la fonction de son, veuillez suivre les étapes 1 à 4 pour ajouter les batteries (non fournies), et reportez-vous aux informations relatives à la batterie à la page 2.

1. Avec un tournevis, retirez le vis sur le couvercle de la batterie situé au centre de la volant.

2. Retirez le couvercle de la batterie de le dessus du compartiment de la batterie.

3. Insérez 2x1,5 piles AA dans leur corriger les polarités.

4. Placez le couvercle du compartiment à piles et fixez-le à l'aide de la vis retirée à la première étape.



Attacher le volant

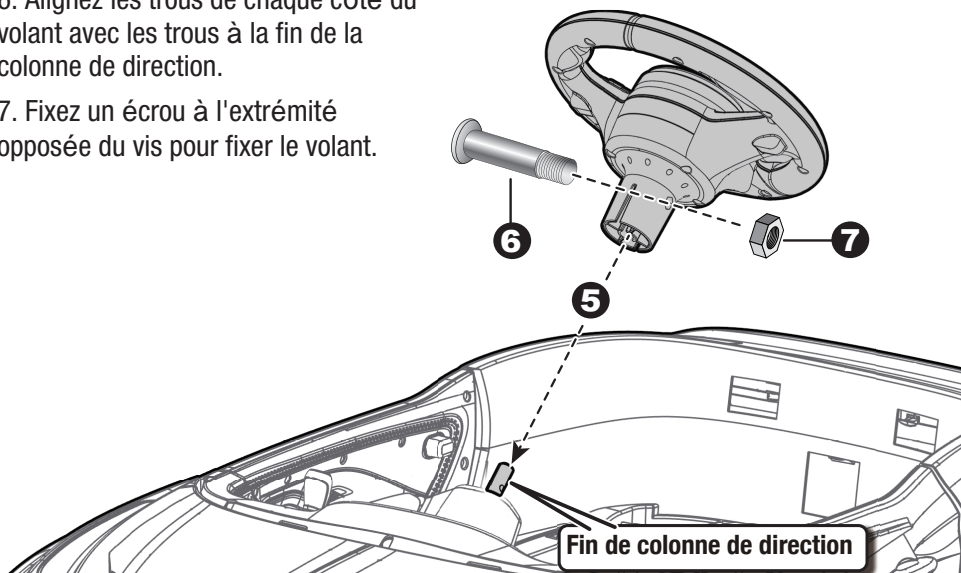
Retirez la vis à métaux M5x30 et l'écrou Ø5 du volant.

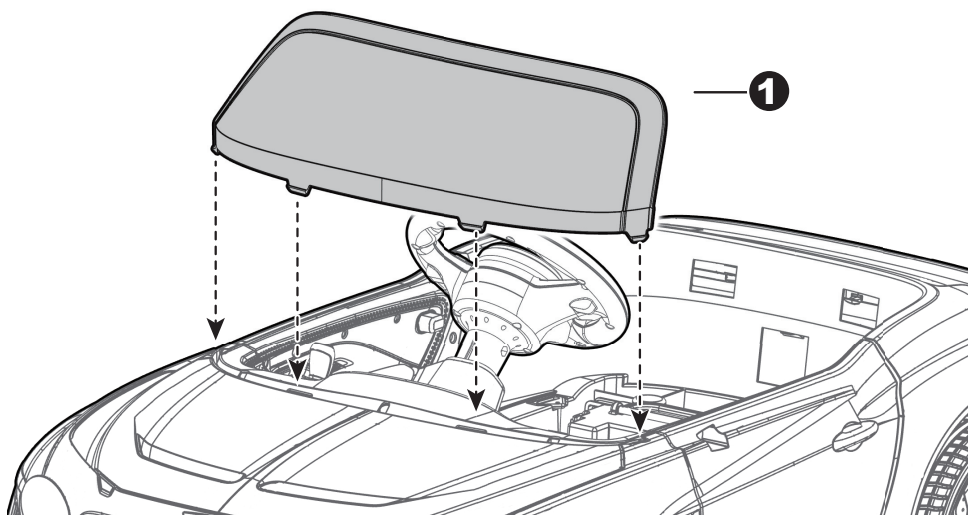
Redressez la carrosserie du véhicule.

5. Placez le volant sur la colonne de direction, en saillie du milieu de la base du volant.

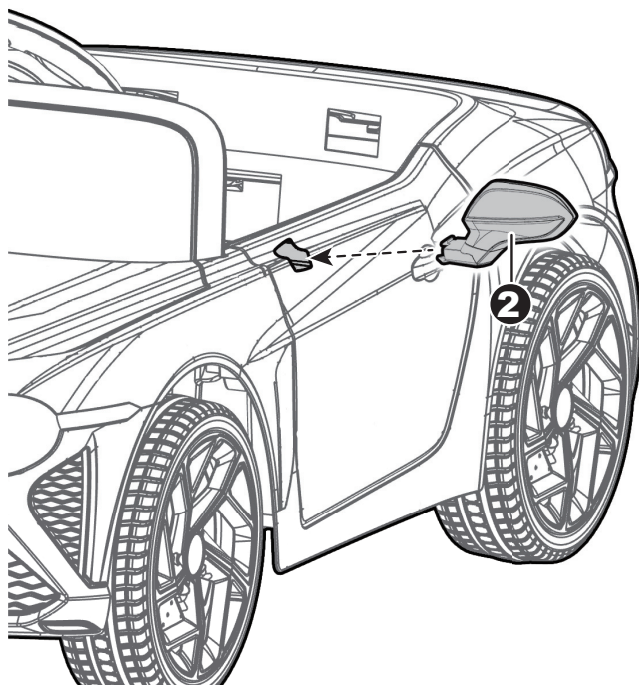
6. Alignez les trous de chaque côté du volant avec les trous à la fin de la colonne de direction.

7. Fixez un écrou à l'extrémité opposée du vis pour fixer le volant.

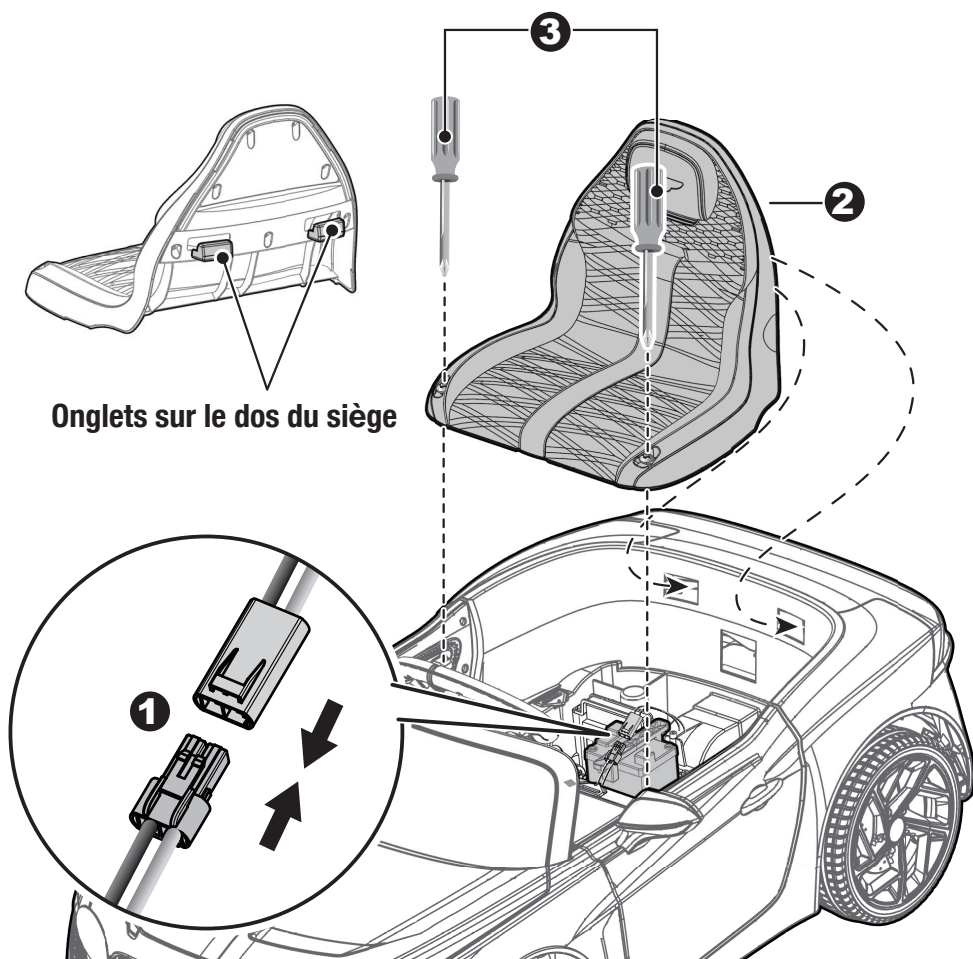


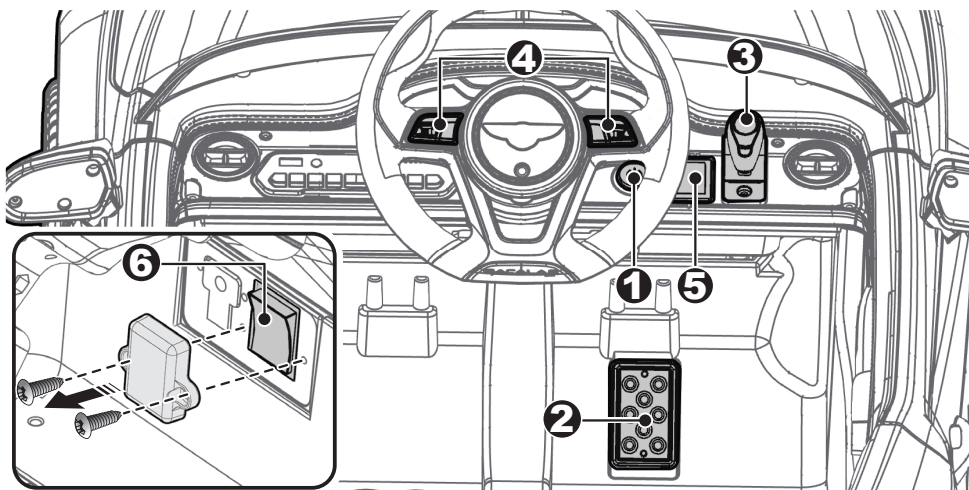


1. Insérer les languettes du pare-brise dans les rainures du véhicule. Appuyez jusqu'à ce que vous entendiez un "clic".
2. Insérer les rétroviseurs latéraux dans les trous des deux portes, en appuyant jusqu'à ce qu'un "clic" se fasse entendre.



1. Brancher le connecteur du véhicule sur le connecteur de la batterie.
2. Insérer les languettes du dossier dans les rainures situées à l'arrière du véhicule.
3. À l'aide d'un tournevis, serrez les vis M5x16 situées sur le dessus du siège dans les trous du véhicule.





- 1. Bouton d'alimentation:** mettre le véhicule sous tension et hors tension.
- 2. Pédale :** Appliquer la puissance (vitesse) au véhicule.
Pour déplacer la voiture, appuyez sur la pédale vers le bas.
Pour freiner ou ralentir, relâchez la pression de la pédale.
- 3. Commutateur avant/inverse :** changer la direction dans laquelle le véhicule se déplace de l'avant vers l'arrière.
Pour faire avancer le véhicule, déplacez le levier vers la position supérieure.
Pour faire reculer le véhicule, déplacez le levier vers le bas.
- 4. Boutons de son (s'ils sont équipés) :** appuyez sur pour jouer le son.
- 5. Commutateur grande / basse vitesse (s'il est équipé) :**
Exploite le véhicule pour aller de l'avant à grande vitesse ou à basse vitesse.
- 6. Commutateur PÉDALE - R/C :** (si l'appareil en est équipé. Il faut d'abord ouvrir le couvercle de protection):
Permet de commander le produit à l'aide d'une télécommande ou d'une pédale.

⚠ IMPORTANT

- Toujours immobiliser le véhicule lors d'un changement de vitesse ou de direction pour éviter d'endommager les engrenages et le moteur.
- GRANDE VITESSE (si le véhicule en est équipé) : Assurez-vous que votre enfant sait comment diriger, comment démarrer et arrêter le produit et qu'il connaît les règles de conduite en toute sécurité.



Utilisez le véhicule sur un sol généralement le véhicule sur la pelouse!



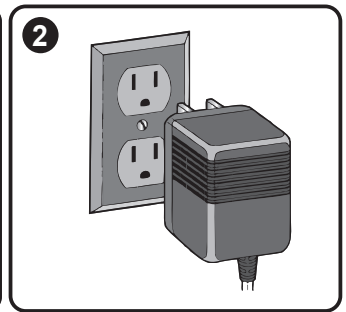
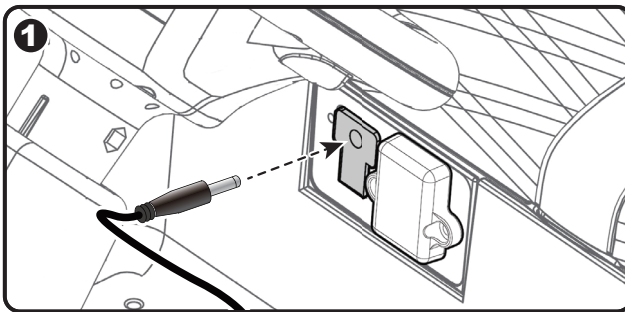
UNIQUEMENT! NE PAS utiliser

⚠ AVERTISSEMENT !

- **SEUL un adulte est autorisé à charger et à recharger la batterie !**
- **Ce produit avec protection de la charge : lors de la charge, toutes les fonctions seront coupées.**

- Le COMMUTATEUR D'ALIMENTATION doit être mis en position OFF lors de la charge.
- Avant la première utilisation, vous devez charger la batterie pendant 4 à 6 heures. Ne rechargez pas la batterie pendant plus de 10 heures pour éviter de surchauffer le chargeur.
- Lorsque le véhicule commence à rouler lentement, rechargez la batterie.
- Après chaque utilisation ou une fois par mois, le temps de recharge doit être au minimum de 8 à 12 heures, et au maximum de 20 heures.
- Utiliser uniquement la (les) batterie(s) et le chargeur spécifiés par le fabricant. L'utilisation d'une autre batterie ou d'un autre chargeur peut provoquer un incendie ou une explosion. N'utilisez pas la batterie ou le chargeur pour un autre produit.
- Si vous utilisez un voltmètre numérique (SI ÉQUIPÉ), l'amplitude de la tension vous indiquera la quantité d'énergie restante dans la batterie lorsque vous devez la recharger. Assurez-vous que le véhicule est arrêté!

12 V produit	Moins de 12,5V	La batterie doit être chargée.



1. Branchez le port du chargeur dans la prise d'entrée (La prise est sous l'aile arrière gauche).
2. Branchez la fiche du chargeur dans une prise murale. La batterie commence à se charger.

Remplacement et élimination de la pile

La pile finira par perdre la capacité de tenir une charge. Selon la quantité d'utilisation et les conditions, la pile devrait fonctionner pendant un à trois ans. Important! Recyclez la pile à plat de manière responsable. La pile contient du plomb acide (électrolyte) et doit être éliminée correctement et légalement. Il est illégal dans la plupart des régions d'incinérer des piles de plomb-acide ou de les jeter dans des décharges. Apportez-le à un recycleur de piles au plomb-acide approuvé par le gouvernement fédéral ou par un État, tel qu'un détaillant de piles automobile local. Ne jetez pas la pile avec les ordures ménagères !

Problème	Cause Possible	Solution
Le véhicule ne court pas	Pile faible sur le pouvoir	Rechargez la pile.
	Le fusible thermique s'est déclenché	Réinitialisez le fusible, voir <Fusible>
	Le connecteur de pile ou les fils sont lâches	<i>Vérifiez que les connecteurs de la pile sont fermement connectés les uns aux autres. Si les fils sont lâches autour du moteur, contactez votre distributeur.</i>
	La pile est morte	Remplacez la pile, veuillez contacter votre distributeur.
	Le système électrique est endommagé	<i>Veuillez contacter votre distributeur.</i>
	Le moteur est endommagé	<i>Veuillez contacter votre distributeur.</i>
Le véhicule ne court pas très longtemps	La pile est sous chargée	Vérifiez que les connecteurs de la pile sont fermement connectés les uns aux autres pendant la recharge
	La pile est vieille	<i>Remplacez la pile, veuillez contacter votre distributeur.</i>
Le véhicule roule lentement	Pile faible sur le pouvoir	<i>Rechargez la pile, veuillez contacter votre distributeur.</i>
	La pile est vieille	<i>Remplacez la pile, veuillez contacter votre distributeur s'il vous plaît.</i>
	Le véhicule est en surcharge	Réduisez le poids sur le véhicule. Le poids maximum de l'utilisateur est de 30 kg.
	Le véhicule est utilisé dans des conditions difficiles	Évitez d'utiliser le véhicule dans des conditions difficiles, voir <Sécurité>.
Le véhicule a besoin d'un coup de pouce pour avancer	Mauvais contact des fils ou des connecteurs	<i>Vérifiez que les connecteurs de la pile sont fermement connectés les uns aux autres. Si les fils sont lâches autour du moteur, veuillez contacter votre distributeur.</i>
	"Point mort" sur le moteur	<i>Un point mort signifie que l'énergie électrique ne s'est pas livrée au terminal et que le véhicule doit être réparé. Veuillez contacter votre distributeur.</i>
Passage difficile d'avant en arrière ou inversement	Tenter de changer de vitesse alors que le véhicule est en mouvement	Arrêtez complètement le véhicule et changez de vitesse, voir <Utiliser votre véhicule>
Bruits de grincement ou de claquement provenant du moteur ou de la boîte de vitesses	Le moteur ou les engrenages sont endommagés	<i>Vérifiez que les connecteurs de la pile sont fermement connectés les uns aux autres.</i>
La pile ne se recharge pas	Le connecteur de la pile ou le connecteur de l'adaptateur est desserré	Check that the battery connectors are firmly plugged into each other.
	Chargeur non branché	Vérifiez que le chargeur de pile est branché sur une prise murale en état de fonctionnement.
	Le chargeur ne fonctionne pas	<i>Veuillez contacter votre distributeur.</i>
Le chargeur se réchauffe pendant la charge	C'est normal et ne pose pas aucun problème	

Lisez attentivement ce manuel et le tableau du guide de dépannage avant d'appeler. Si vous avez encore besoin d'aide pour résoudre le problème, contactez votre distributeur.

- Il incombe aux parents de vérifier les pièces principales du jouet avant utilisation. Examinez régulièrement les risques potentiels tels que la pile, la charge, le câble ou le cordon, la fiche dommage, le jouet ne doit pas être utilisé avant que ces dommages aient été correctement éliminés.
- Garez le véhicule à l'intérieur ou recouvrez-le d'une bâche pour le protéger des intempéries.
- Rechargez la pile après chaque utilisation. Seul un adulte peut manipuler la pile. Rechargez la pile au moins une fois par mois lorsque le véhicule n'est pas utilisé.
- Ne nettoyez pas le véhicule avec un tuyau. Ne nettoyez pas le véhicule avec de l'eau et du savon. Ne conduisez pas le véhicule par temps de pluie ou de neige. L'eau endommagerait le moteur, le système électrique et la pile.
- Nettoyez le véhicule avec un chiffon doux et sec. Pour redonner de la brillance aux pièces en plastique, utilisez un poli à meubles sans cire. N'utilisez pas de cire de voiture. N'utilisez pas de nettoyeurs abrasifs.
- Lorsque vous ne l'utilisez pas, toute la source électrique doit être éteinte. Éteignez l'interrupteur d'alimentation et déconnectez la connexion de la pile.

Fusible

La batterie comporte un fusible thermique avec un fusible de repos qui se déclenche automatiquement et coupe toute l'alimentation du véhicule si le moteur, le système électrique ou la batterie est surchargé. Le fusible se rétablira et le courant sera rétabli après que l'appareil ait été éteint pendant 20 secondes, puis rallumé. Si le fusible thermique se déclenche à plusieurs reprises pendant l'utilisation normale, le véhicule peut avoir besoin d'être réparé. Veuillez contacter votre distributeur.

Pour éviter toute perte de puissance, suivez ces instructions:

- Ne surchargez pas le véhicule.
- Ne remorquez rien derrière le véhicule.
- Ne roulez pas sur des pentes raides.
- N'entrez pas dans des objets fixes, ce qui pourrait faire tourner les roues et entraîner une surchauffe du moteur.
- Ne conduisez pas par temps très chaud, les composants pourraient surchauffer.
- Ne laissez pas l'eau ou d'autres liquides entrer en contact avec la batterie ou d'autres composants électriques.
- Ne modifiez pas le système électrique. Cela pourrait créer un court-circuit et provoquer le déclenchement du fusible.



RISQUE D'INCENDIE. Ne pas court-circuiter. Remplacer uniquement par un nouveau fusible.

**Nos produits sont conformes aux normes suivantes :
Normes ASTM F963 ; GB6675 ; EN71 et EN62115.**

Model identifie	370-293V90	
Input voltage	AC 100-240	V
Input AC frequency	50/60	Hz
Output voltage	DC 12	V
Output current	0.5	A
Output power		W
Average active efficiency	79.2	%
Efficiency at low load (10 %)	72.4	%
No-load power consumption	0.08	W



Si vous avez la moindre question, veuillez contacter notre centre d'assistance à la clientèle.

Nos coordonnées sont les suivantes:



0033-1-84166106



aosom@mhfrance.fr

Importé par :
MH France
2, rue Maurice Hartmann
92130 Issy-les-Moulineaux
France
Fabriqué en Chine