

IMPORTANT, RETAIN FOR FUTURE REFERENCE: READ CAREFULLY

ASSEMBLY INSTRUCTION



Strictly comply with the following safety recommendations when assembling and using this bike carrier:

Note: carefully read all these instructions before beginning to assemble the bike carrier

Comply with the safety recommendations in particular!



Warning: check the vehicle's tolerated axial load, it must not be exceeded when the bikes are loaded! The tare weight of the bike carrier is 15 kg!



Warning: check the maximum bearing load tolerated by the tow bar attachment. Maximum bearing load > 60kg: in this case, 1 bike (2 or 3 bikes) weighing up to 45kg can be transported! Note: the vehicle must be equipped with a type-approved tow hook with a maximum bearing load of at least 50 kg- must be at least type ST 52-3 or GGG52.

Note: when assembled, the bike carrier must be equipped with a license plate (the vehicle's license plate remains hidden).



Technical safety when driving ,

Driving speed: never drive faster than the speed prescribed by the Highway Code. Regardless this, you should never exceed a cruising speed of 120 kph when transporting bikes on this bike carrier.



Opening mechanism: Warning: always make sure that the opening mechanism is closed and fastened.



Technical safety when driving Braking, accelerating, driving round bends:

Do not brake or accelerate sharply!

Do not make sharp turns! Make sure the speed is under 40 km/h. Make sure the speed is under 40 km/h when in bad situation on the road.

Inspection of the bike carrier: after having assembled the bike carrier for the first time, check all the fastening mechanisms on it (screws, straps, nuts) after having driven for a short way.

After this, these fastening mechanisms must be checked again at regular intervals (more often if the roads are in bad condition).



Warning: when the bike carrier is fitted on to the vehicle's tow hook, switch off the engine, turn the ignition key to the off position and apply the hand brake!

Back up and parking: When the bike carrier is mounted, the total width of the vehicle increased. The same bikes can increase the width and the total height of the vehicle.

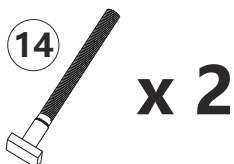
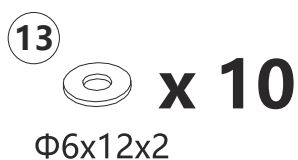
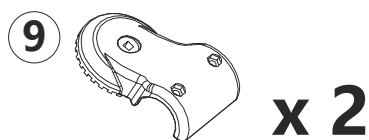
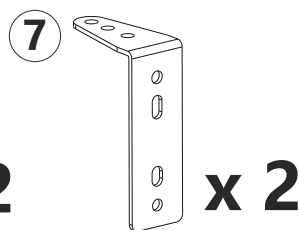
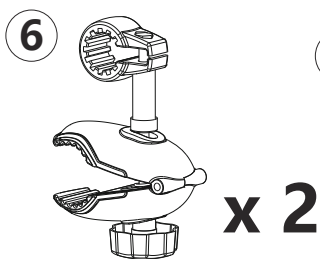
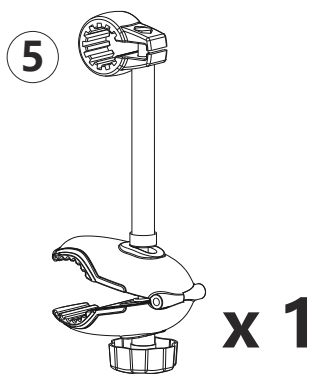
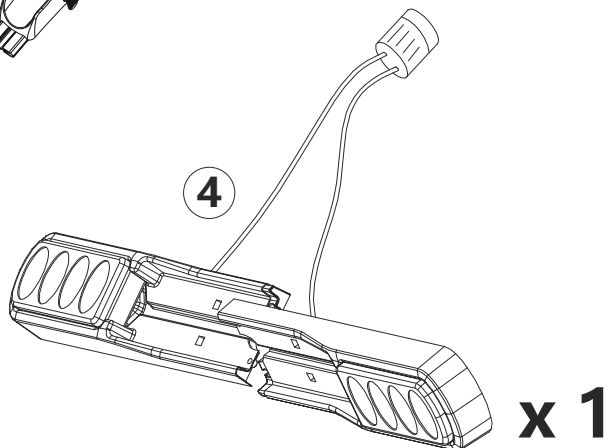
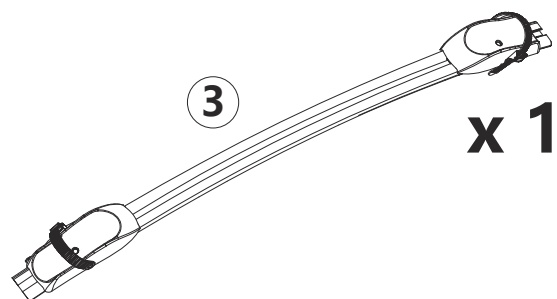
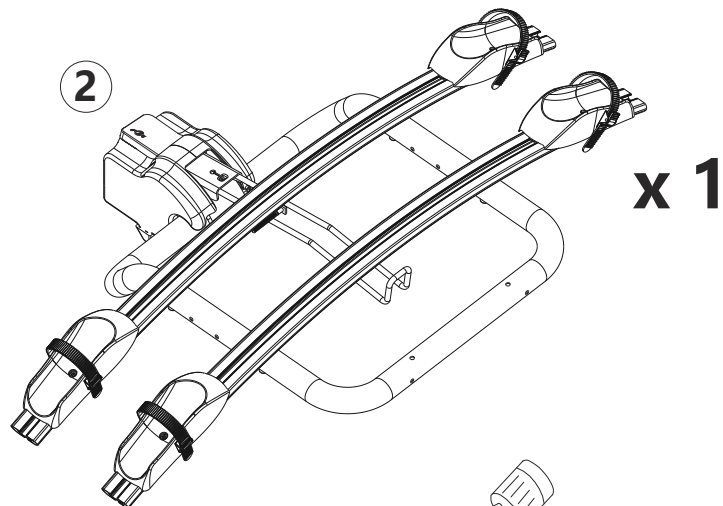
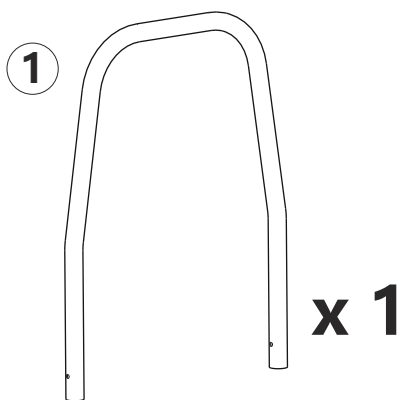
Be careful in backward motion.

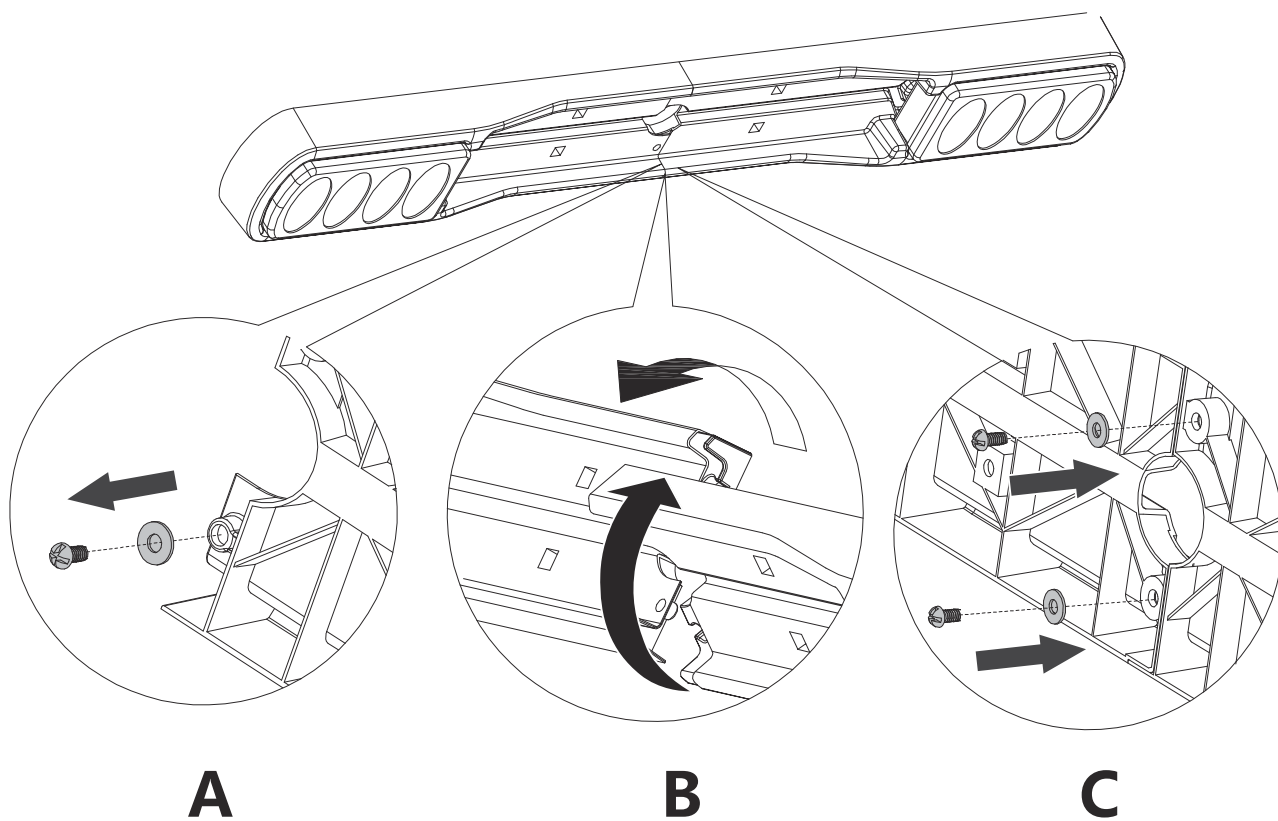


To ensure the duty life of the products, please use a wet towel or industrial alcohol to wipe them up after use; For the screw parts, please daub with lubricating oil or rust- proof oil, and then preserve them in a dry place; When you wash your car, please take the carrier off and it is forbidden to touch any corrosive solvent or with corrosive cleaning wash.

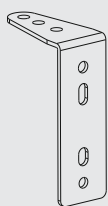


We reserve the right of the improvement of the product appearance and the designing, without any notice, if there is something different with the instruction, please make no worry about this situation.





7



x 2

20



x 4

12



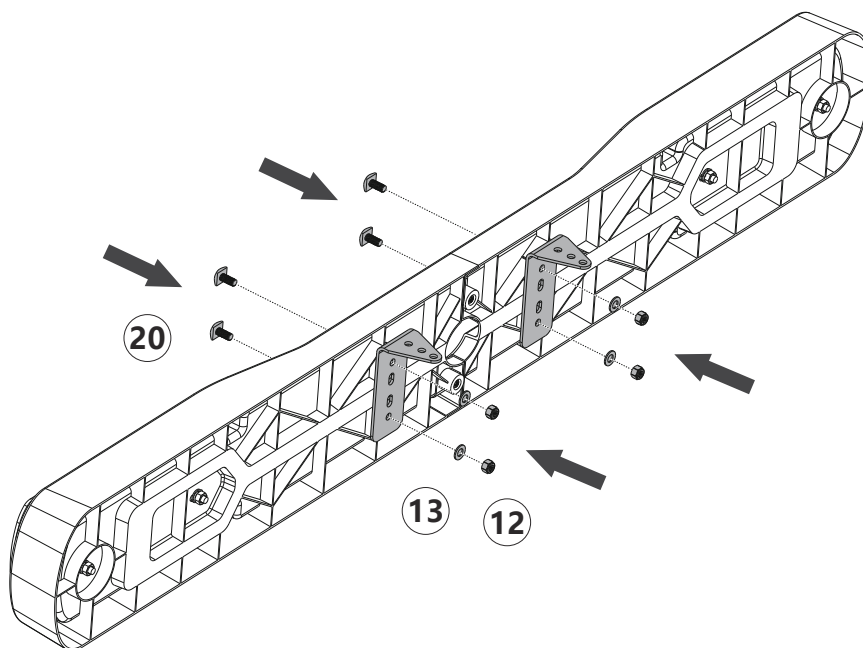
x 4

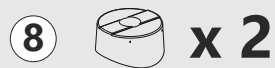
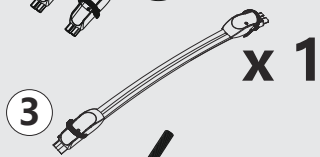
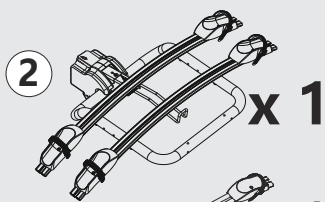
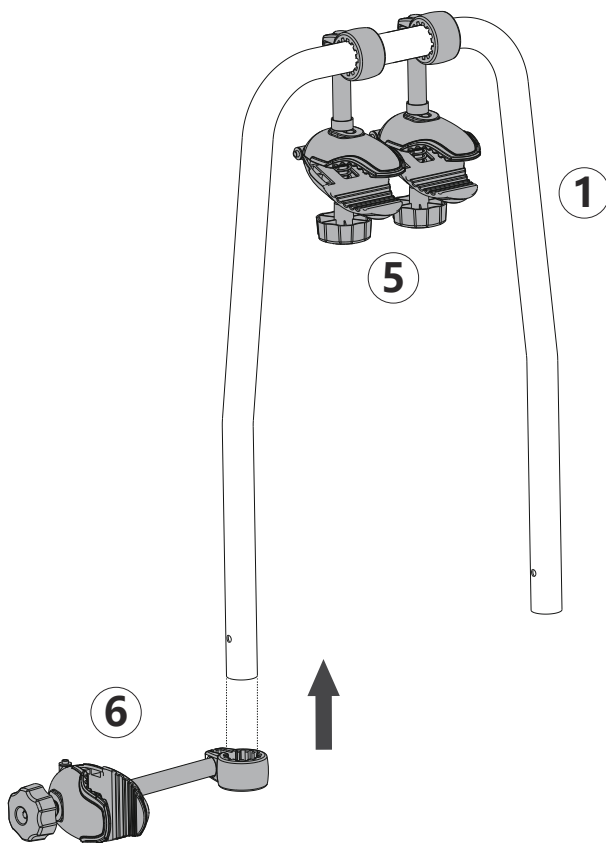
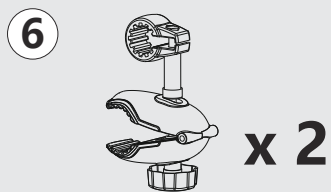
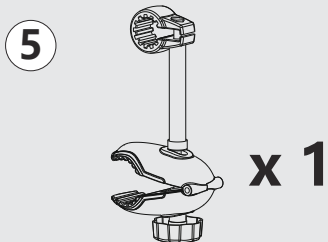
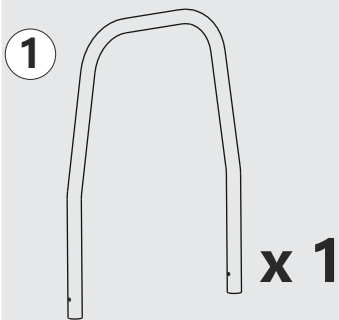
13



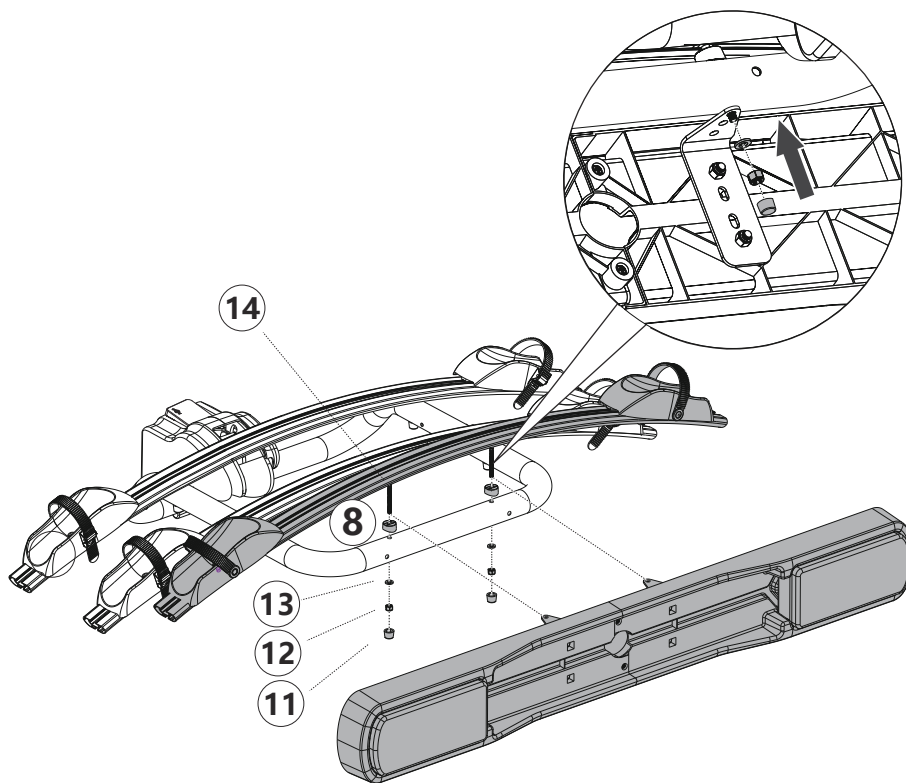
x 4


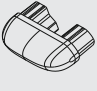




Φ6x12x2

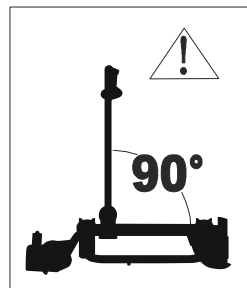
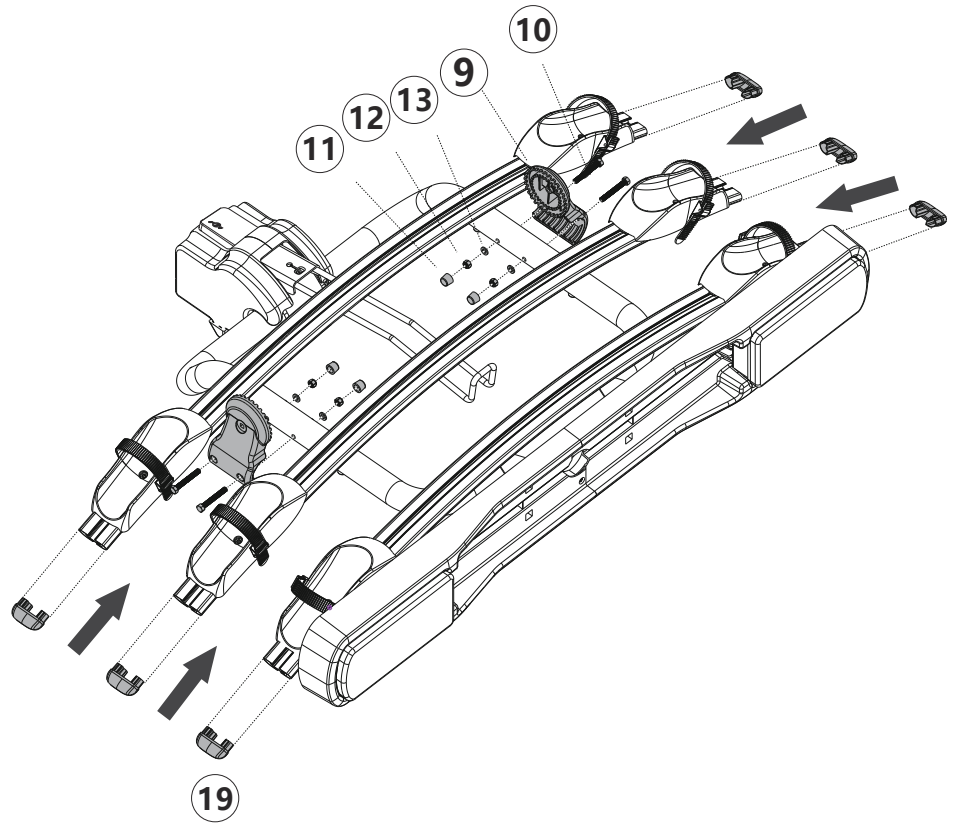





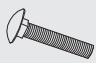


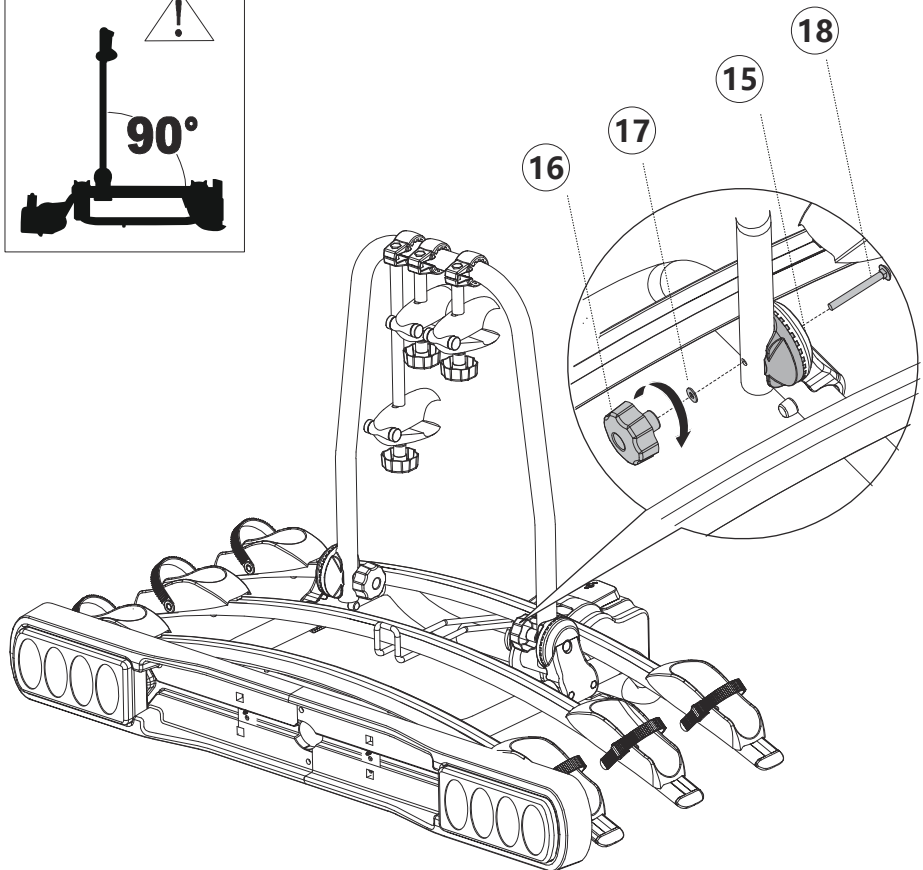
Φ6x12x2



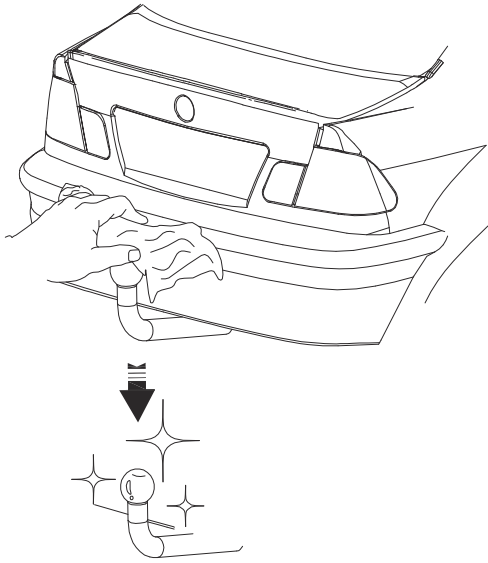
- 9  x 2
- 19  x 6
- 10  x 4
- 11  x 4
- 12  x 4
- 13  x 4
Φ6x12x2



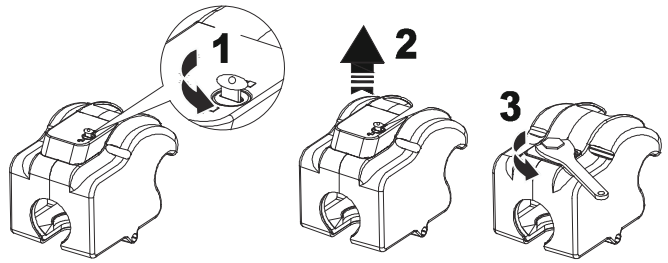
- 15  x 2
- 16  x 2
- 17  x 2
Φ6x16x1.5
- 18  x 2



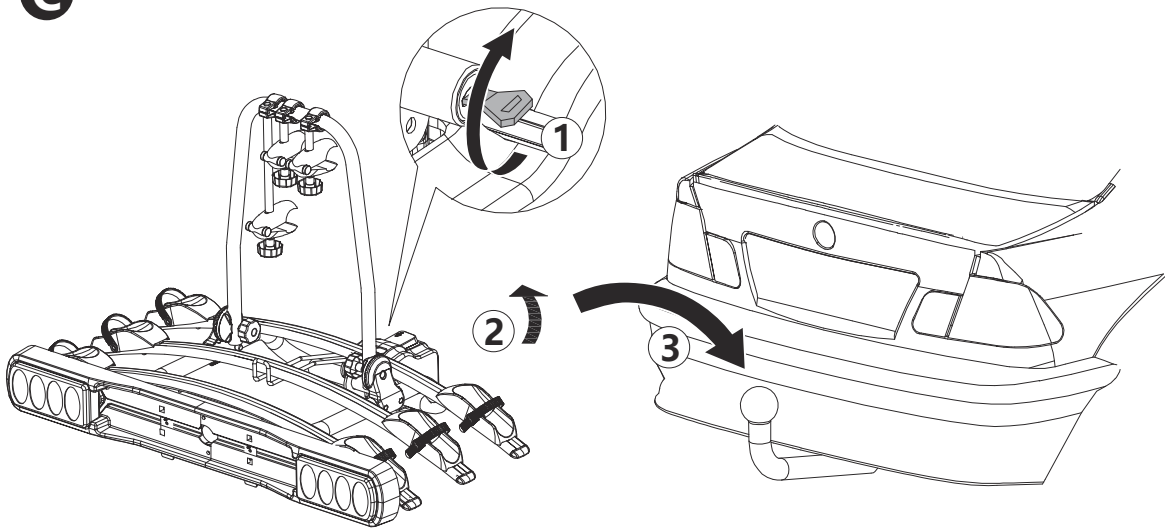
A



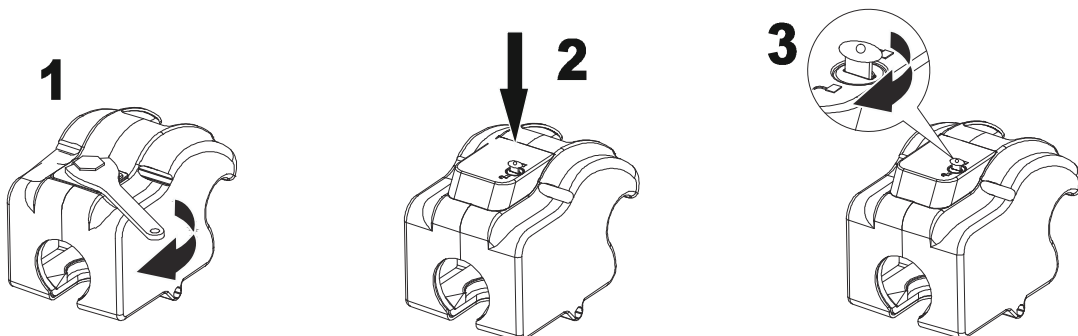
B

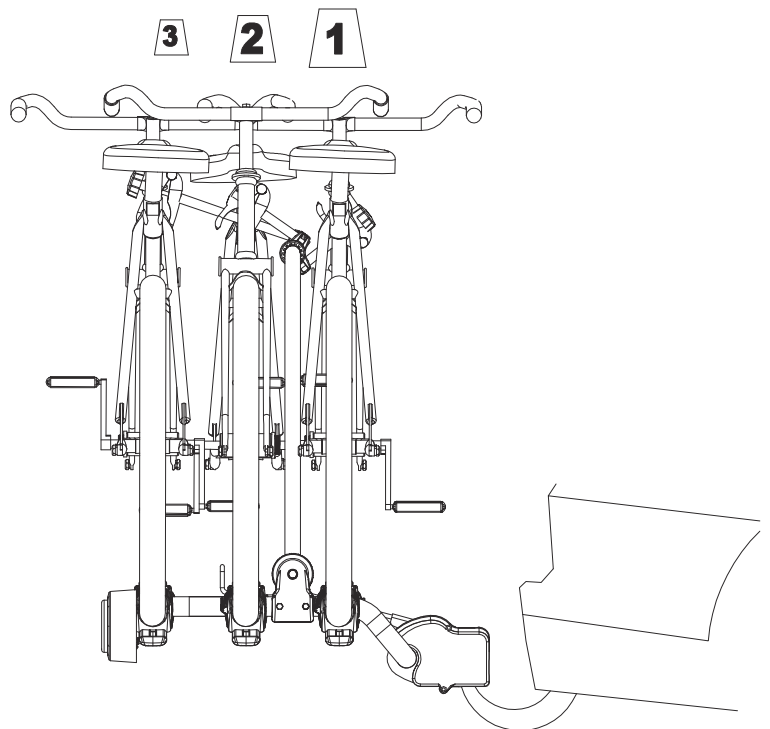
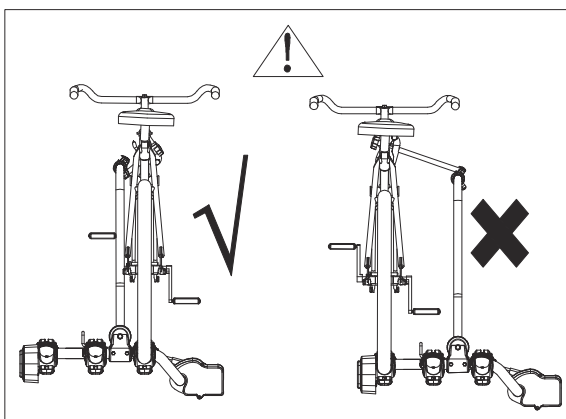
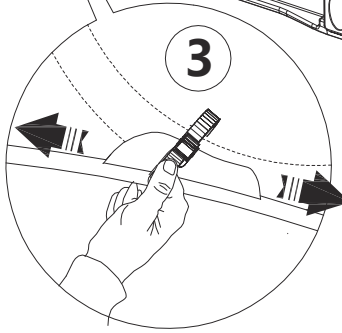
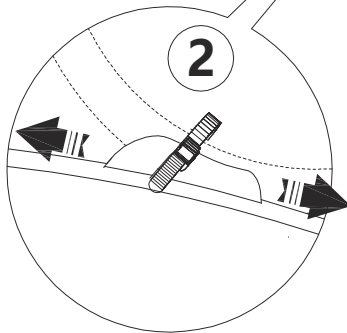
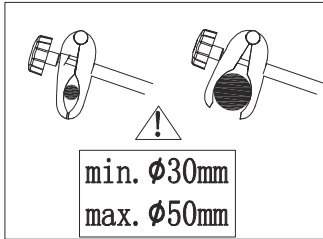
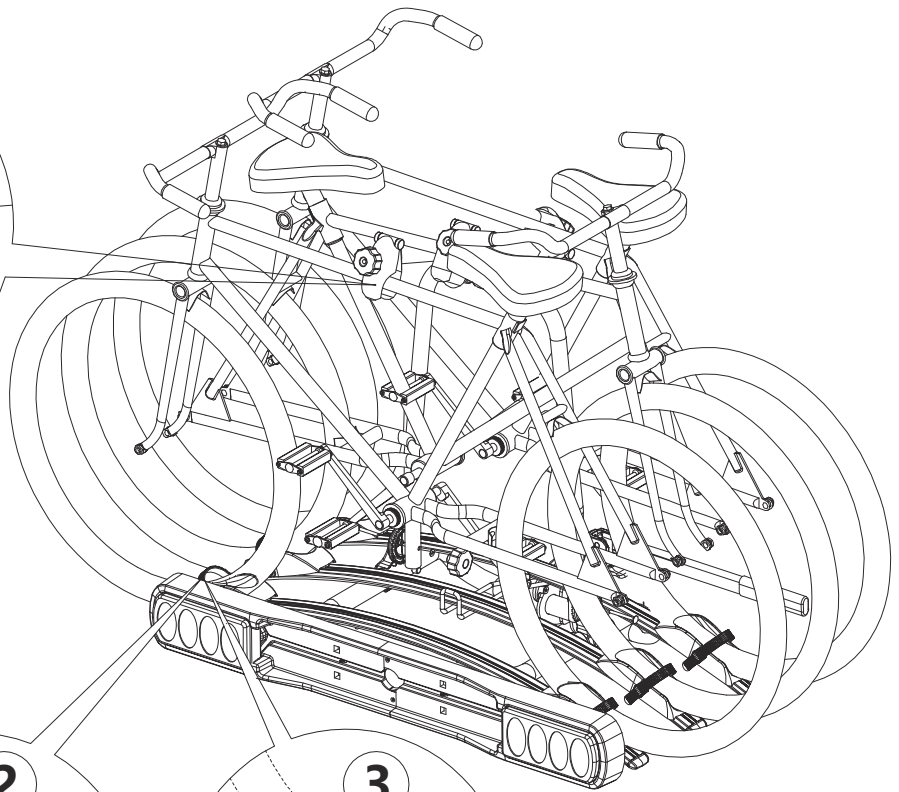
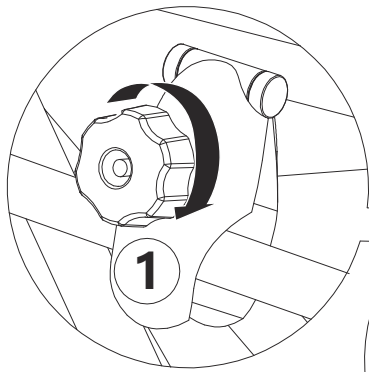





C

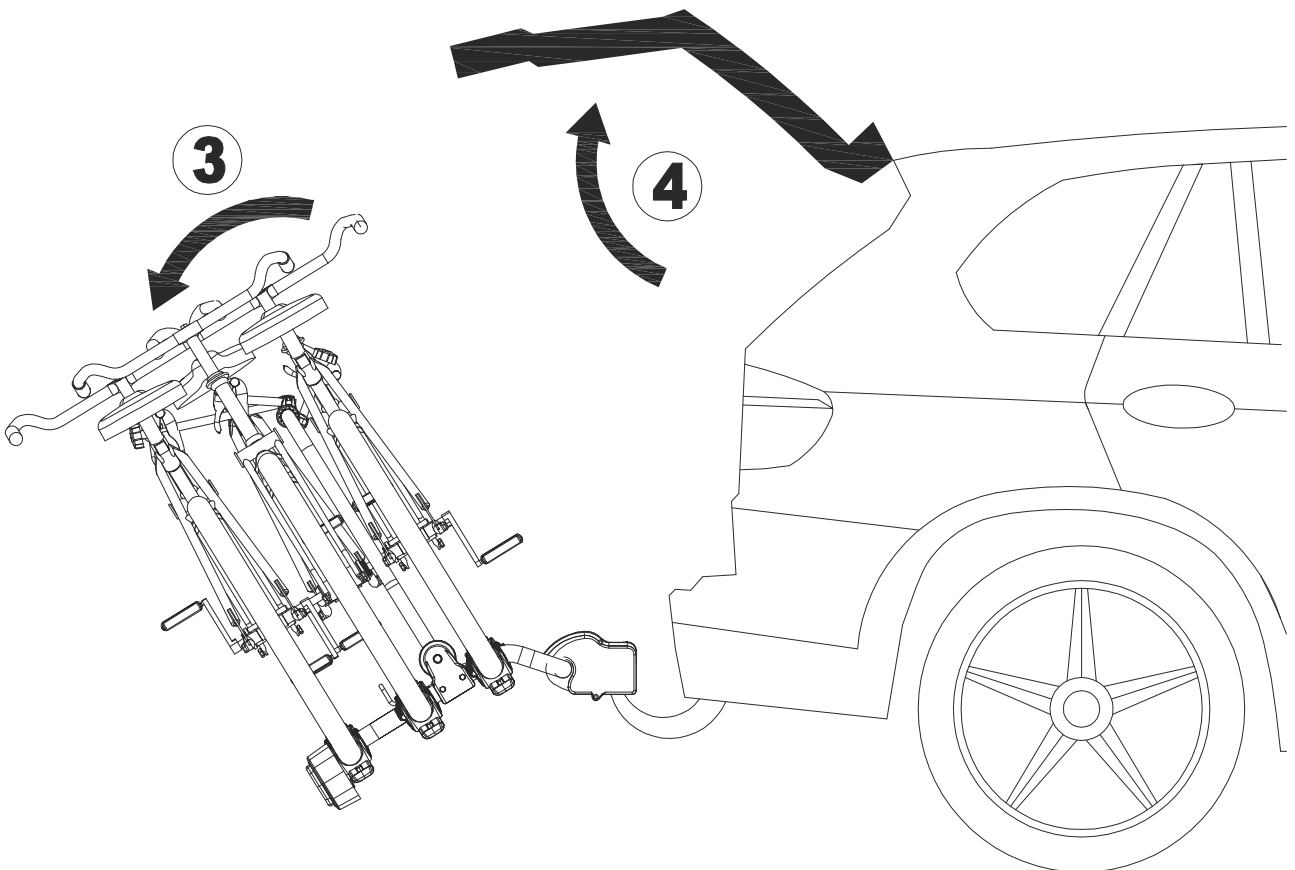
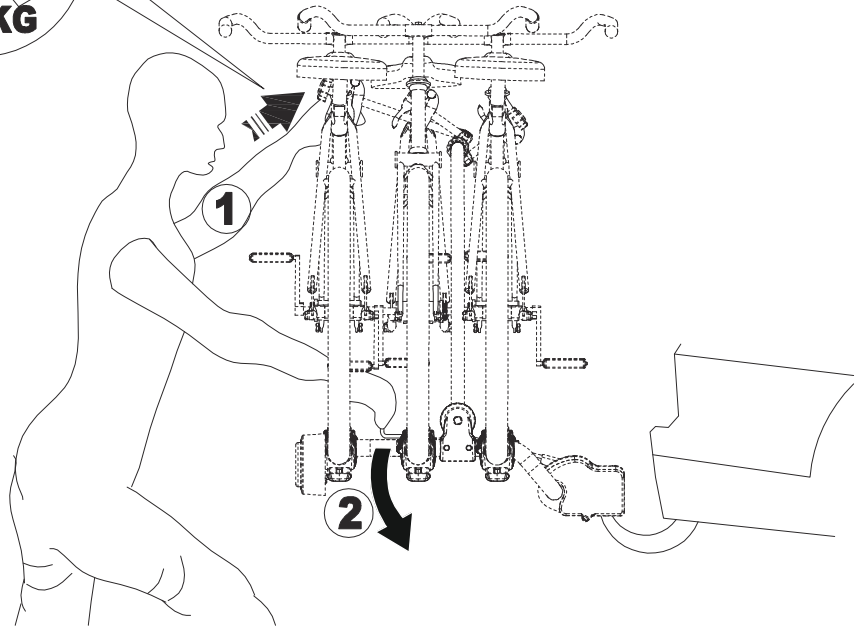
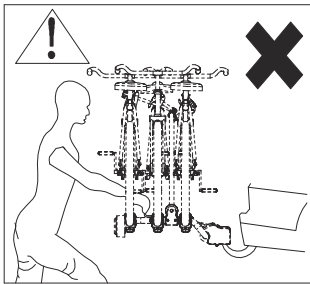
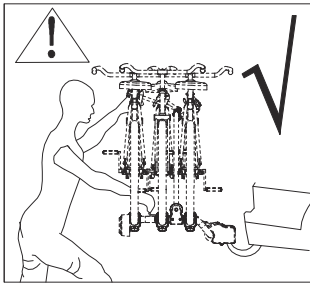


D





- 1**  =15kg MAX
- 2**  =15kg MAX
- 3**  =15kg MAX



UK

If you have any questions, please contact our customer care center.

Our contact details are below:



0044-800-240-4004



enquiries@mhstar.co.uk

IMPORTER ADDRESS:

MH STAR UK LTD

Unit 27, Perivale Park,

Horsenden lane South

Perivale, UB6 7RH

MADE IN CHINA

ES

Si tiene alguna pregunta, comuníquese con nuestro Centro de Atención al Cliente. Nuestros datos de contacto son los siguientes:



0034-931294512



atencioncliente@aosom.es

IMPORTADOR:

SPANISH AOSOM, S.L.

C/ ROC GROS, N° 15. 08550, ELS HOSTALETS DE

BALENYÀ, SPAIN.

B66295775

WWW.AOSOM.ES

ATENCIONCLIENTE@AOSOM.ES

TEL: 931294512

HECHO EN CHINA

FR

Si vous avez la moindre question, veuillez contacter notre centre d'assistance à la clientèle.

Nos coordonnées sont les suivantes:



0033-1-84166106



aosom@mhfrance.fr

Importé par:

MH France

2, rue Maurice Hartmann

92130 Issy-les-Moulineaux

France

Fabriqué en Chine

PT

Se tiver alguma dúvida, por favor contacte o nosso Centro de Atendimento ao Cliente. Os nossos dados de contacto são os seguintes:



0034-931294512



info@aosom.pt.

IMPORTADOR:

SPANISH AOSOM, S.L

C.ROC GROS N.15, 08550. ELS HOSTALETS DE BALENYÀ

TEL: 931294512 (SEG-SEX DAS 7:30H ÀS 16:30H)

INFO@AOSOM.PT

WWW.AOSOM.PT

DE

Wenn Sie Fragen haben, wenden Sie sich bitte an unser Kundendienstzentrum.

Unsere Kontaktdaten stehen unten:



0049-0(40)-88307530



service@aosom.de

ADRESSE DES IMPORTEURE:

MH Handel GmbH

Wendenstraße 309

D-20537 Hamburg

Germany

IN CHINA HERGESTELLT

IT

In caso di dubbio, si prega di contattare il nostro centro assistenza clienti. I nostri dettagli di contatto sono di seguito:



0039-0249471447



clienti@aosom.it

IMPORTATO DA:

AOSOM Italy srl

Centro Direzionale Milanofiori

Strada 1 Palazzo F1

20057 Assago (MI)

P.I.: 08567220960

FATTO IN CINA