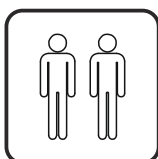




WARNING:
IMPROPER INSTALLATION
OR SWINGING ON THE RING
MAY CAUSE SERIOUS INJURY
OR DEATH



Notice to assemblers:

All the basketball systems, including those used for display purposes must be assembled and filled with weight according to instructions. Failure to follow instructions could result in serious injury. Please read all warnings and cautions before assembly. It is recommended to supervise children as they play with this product. This product is to be assembled by 2 adults only!

We appreciate your purchase of one of our many fine products. We are assured that you will be very satisfied with your selection.

IMPORTANT, RETAIN FOR FUTURE REFERENCE: READ CAREFULLY

ASSEMBLY INSTRUCTION

WARNING

Read and understand warnings listed below before using this product. Failure to follow these warnings may result in serious injury and/or property damage.

Owner must ensure that all players know and follow these rules for safe operation of the system.

WARNING

- DO NOT HANG on the rim or any part of the system including backboard, support braces or net.
- During play, especially when performing dunk type activities, keep player's face away from the backboard, rim and net.

Serious injury could occur if teeth/face come in contact with backboard, rim or net.

- Do not slide, climb, shake or play on base and/or pole.
- After assembly is complete, fill system completely with water or sand. Never leave system in an upright position without filling base with weight, as system may tip over causing injuries.
- When adjusting height or moving system, keep hands and fingers away from moving parts.
- Do not allow children to move or adjust system.
- During play, do not wear jewelry (rings, watches, necklaces, etc.). Objects may entangle in net.
- Surface beneath the base must be smooth and free of gravel or other sharp objects. Punctures cause leakage and could cause system to tip over.
- Keep organic material away from pole base. Grass, litter, etc. could cause corrosion and/or deterioration.
- Check pole system for signs of corrosion (rust, pitting, chipping) and repaint with exterior enamel paint. If rust has penetrated through the steel anywhere, replace pole immediately.
- Check system before each use for proper ballast, loose hardware, excessive wear and signs of corrosion and repair before use.
- Check system before each use for instability.
- Do not use system during windy and/or severe weather conditions; system may tip over. Place system in the storage position and/or in an area protected from the wind and free from personal property and/or overhead wires.
- Never play on damaged equipment.
- When moving system, use caution to keep mechanism from shifting.
- Keep pole top covered with cap at all times.
- Do not allow water in tank to freeze. During sub-freezing weather add 2 gallons of non-toxic antifreeze, sand or empty tank completely and store. (Do not use salt.)
- While moving system, do not allow anyone to stand or sit on base or have added ballasting on base.
- Do not leave system unsupervised or play on system when wheels are engaged for moving.
- Use Caution when moving system across uneven surfaces. System may tip over.
- Use extreme caution if placing system on sloped surface. System may tip over more easily.
- See instruction manual for proper installation and maintenance.

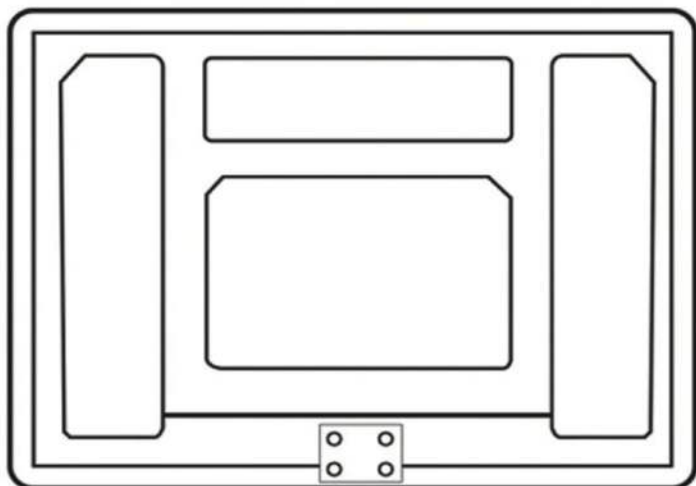
IMPORTANT SAFETY NOTICE

FAILURE TO FOLLOW THESE SAFETY INSTRUCTIONS MAY RESULT IN SERIOUS INJURY OR PROPERTY DAMAGE AND WILL VOID WARRANTY.

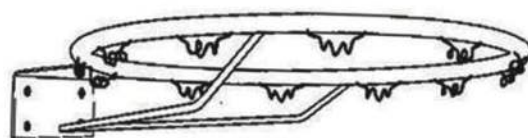
know and follow these rules for safe operation of the system. To ensure safety, do not attempt to assemble this system without following the instructions carefully. Check entire box and inside all packing material for parts and/or additional instruction material. Before beginning assembly, read the instructions and identify parts using the hardware identifier and parts list in this document. Proper and complete assembly, use, and supervision are essential for proper operation and to reduce the risk of accident or injury. A high probability of serious injury exists if this system is not installed, maintained, and operated properly.

- If using a ladder during assembly, use extreme caution.
- Two (2) capable adults are recommended for this operation.
- Check base regularly for leakage. Slow leaks could cause system to tip over unexpectedly.
- Seat the pole sections properly (if applicable). Failure to do so could allow the pole sections to separate during play and/or transport of the system.
- Climate, corrosion, or misuse could result in system failure.
- This equipment is intended for home recreational use only and NOT excessive competitive play.
- Read and understand the warning label affixed to pole.
- The life of your basketball pole depends on many conditions. The climate, placement of the pole, location of the pole, exposure to corrosives such as pesticides, herbicides, or salts are all important.
- If technical assistance is required, contact Customer Service.
- Adult supervision is recommended when adjusting height.

1PC K



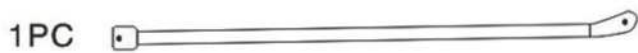
I 1PC



J 1PC



L1



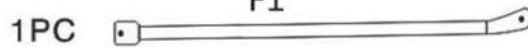
L2



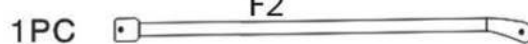
M



F1



F2



W



X



Y

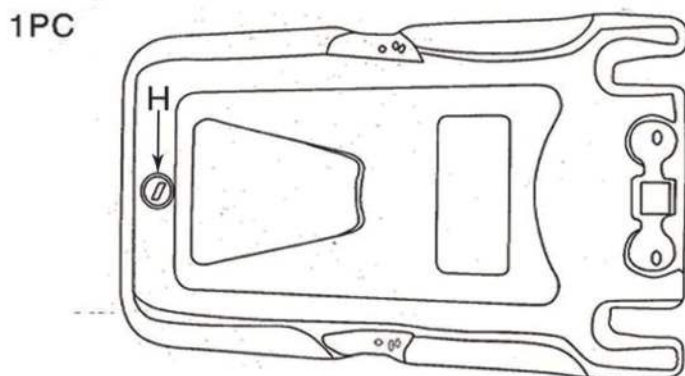


G



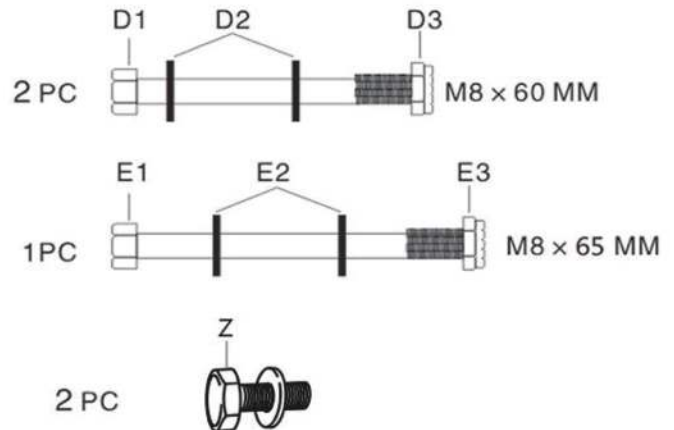
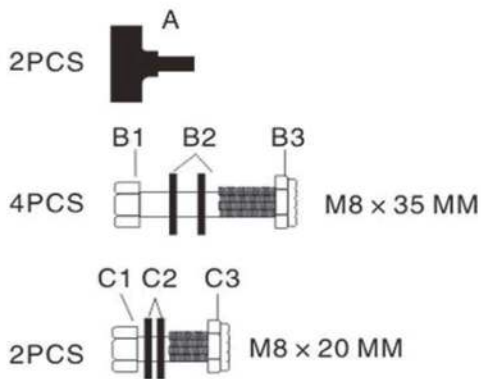
2PCS

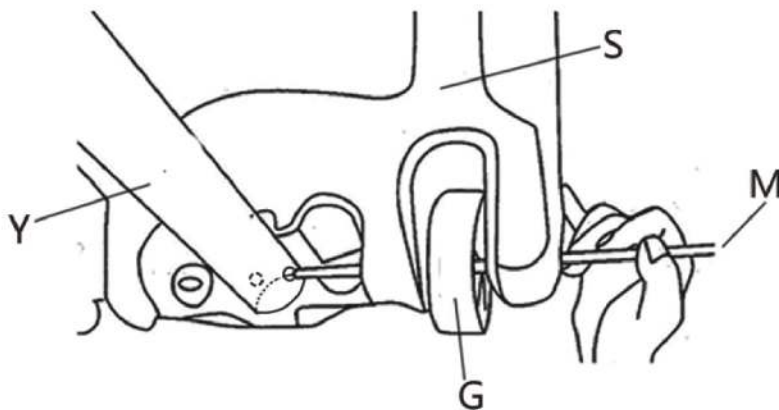
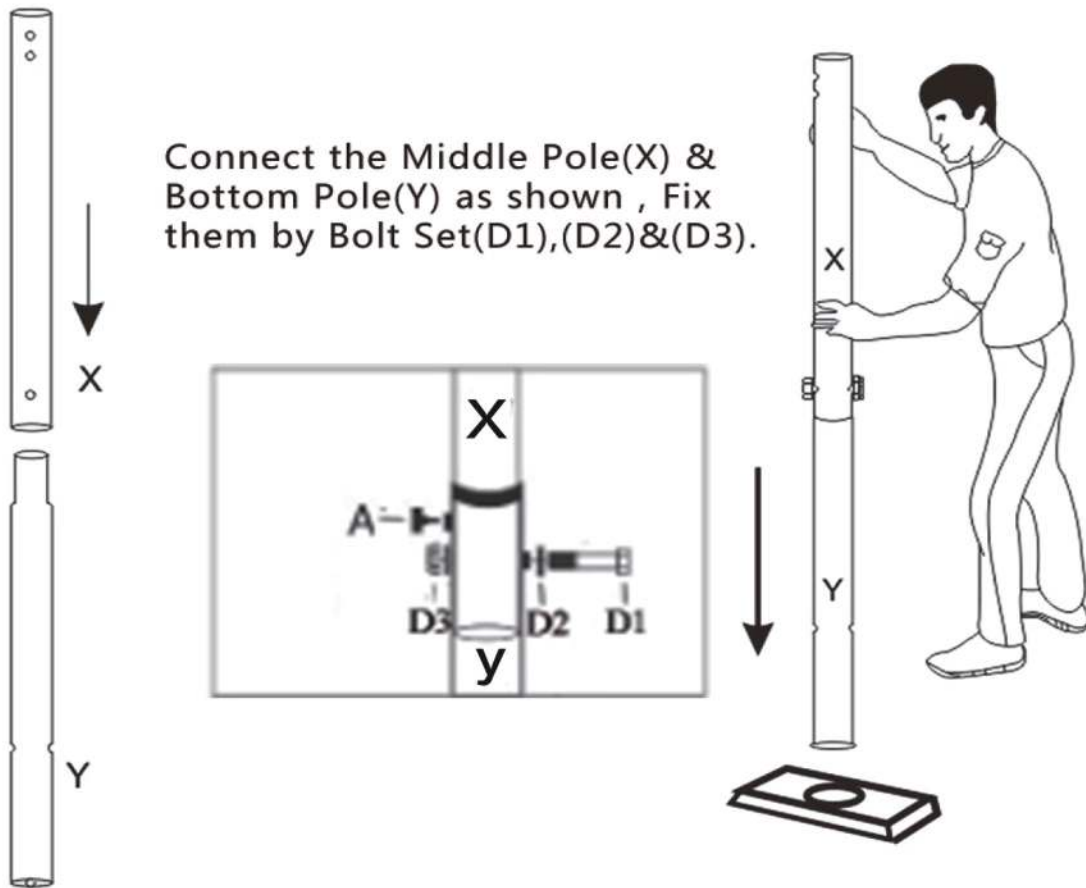
S



PART LIST

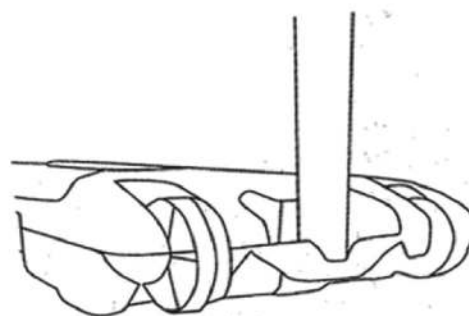
Part No.	Name & Specification	Qty	Remarks
A	Plastic head knob	2	Fix Top Pole(W) On Middle Pole(X)
B1、 B2、 B3	Bolt, M8 × 35 MM	4	Connect Rim(I),backboard(K) & Top Pole(W)
C1、 C2、 C3	Bolt, M8 × 20 MM	2	Connect Base(S) & Base Brace (L1),(L2)
D1、 D2、 D3	Bolt, M8 × 60 MM	2	Connect Middle Pole (X) & Bottom Pole(Y),And connect Top pole(W) & Middle Pole (X)
E1、 E2、 E3	Bolt, M8 × 65 MM	1	Connect Bottom Pole(Y) & Base Brace(L1),(L2)
G	Wheel	2	
H	Water Cap	1	
I	Rim	1	
J	Net	1	
K	Backboard	1	
L1	Right Brace	1	
L2	Left Brace	1	
M	Wheel Shaft	1	
W	Top Pole	1	
X	Middle Pole	1	
Y	Bottom Pole	1	
S	Base	1	
F1	Right Brace	1	
F2	Left Brace	1	
Z		2	

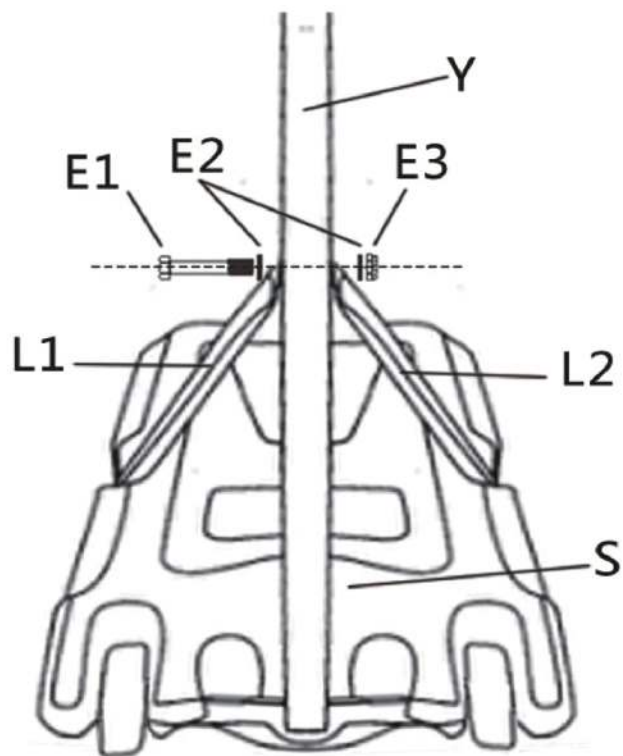




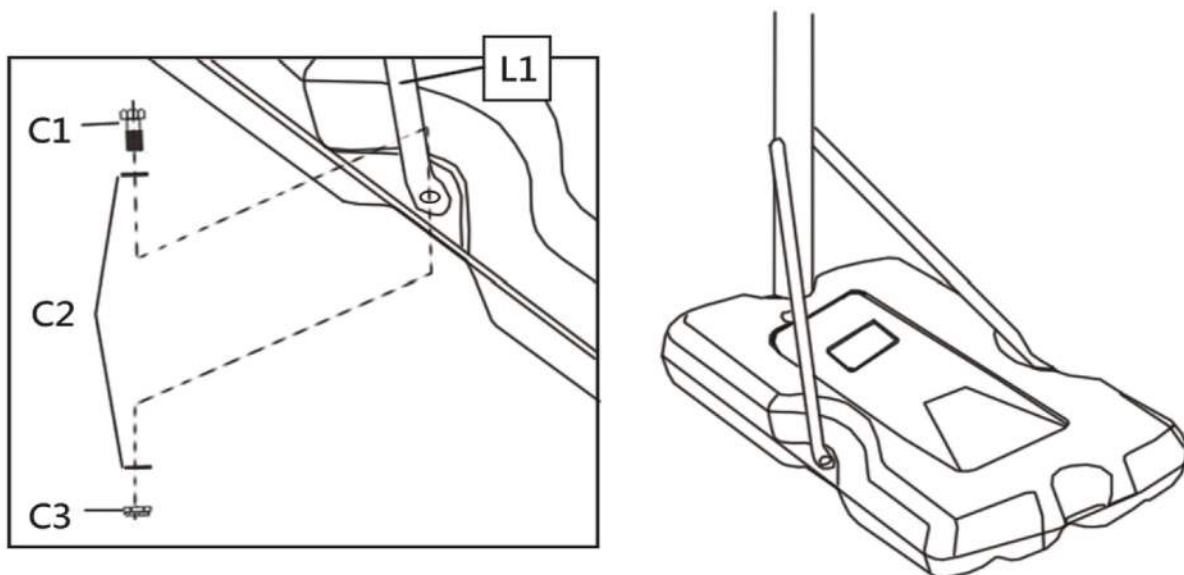
Insert the Wheel Shaft (M) into Wheel(G), Base(S) and end of Bottom Pole (Y) as shown.

As Shown

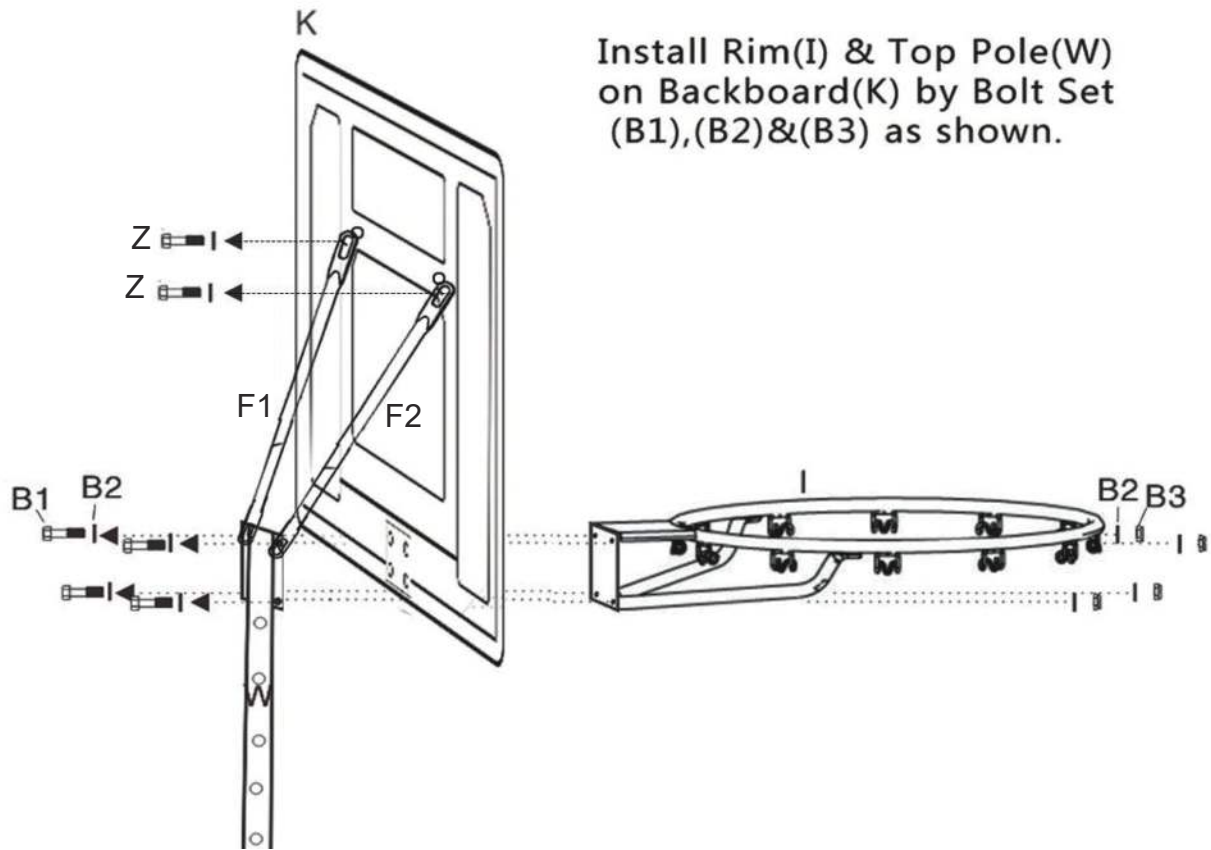




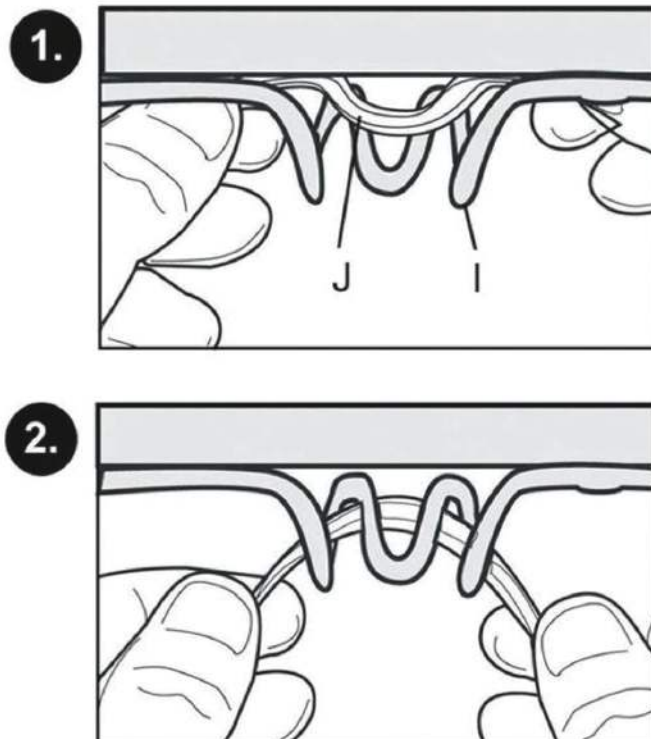
Fix one end of Pole Brace(L1)&(L2) on Bottom Pole(Y) by Bolt Set (E1),(E2)&(E3) as shown.

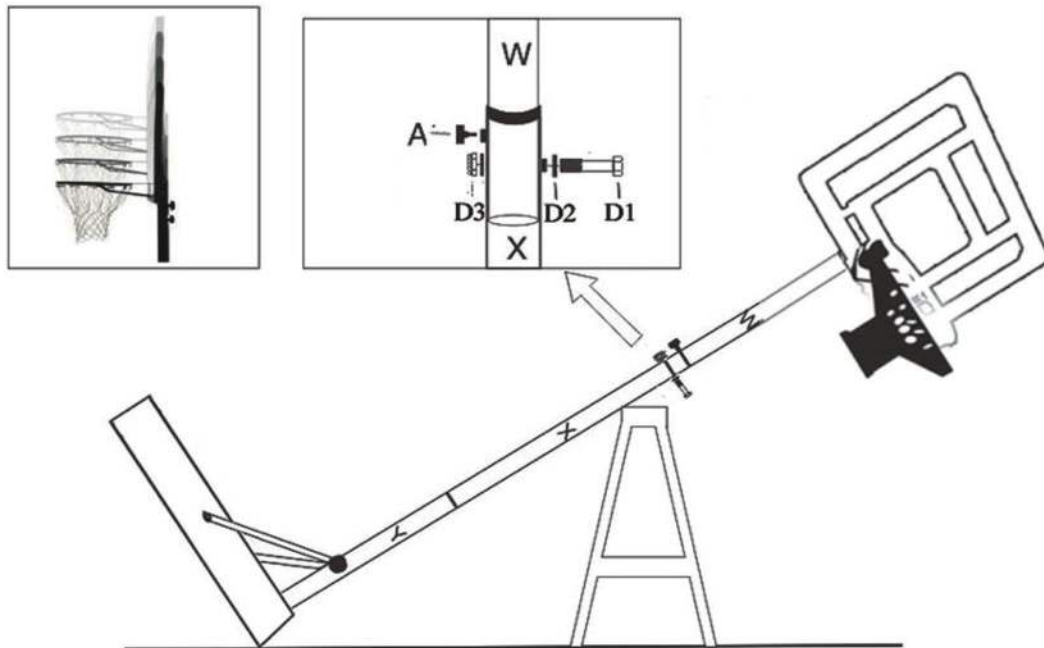


Fix the other end of Pole Brace(L1)&(L2) on two sides of Base(S) by Bolt Set (C1), (C2)&(C3) as shown.

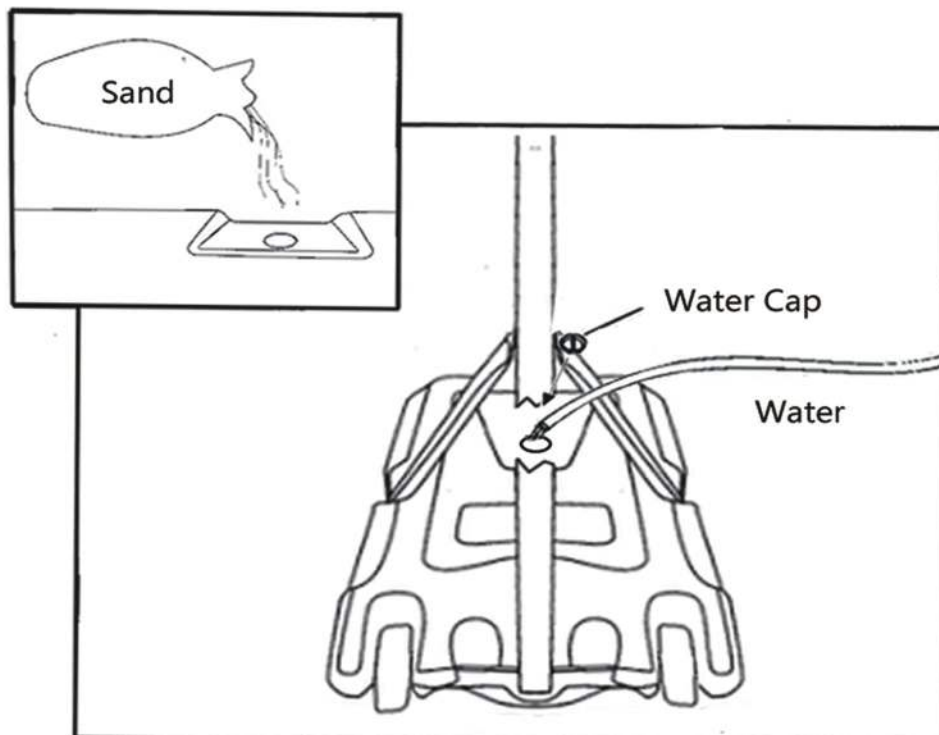


Install Net (J) on Rim (I) as shown.





Insert the Top Pole(W) into Middle Pole (X),adjust it to required height,then fix them by Palstic Head Knob(A)&Bolt Set (D1),(D2)&(D3) as shown.Adjust the height by change the Bolt Set (D1),(D2)&(D3) in different holes on Top Pole(W).



Filling the Base(S) with water or sand to keep steady.

UK

If you have any questions, please contact our customer care center.

Our contact details are below:



0044-800-240-4004



enquiries@mhstar.co.uk

IMPORTER ADDRESS:

MH STAR UK LTD
Unit 27, Perivale Park,
Horsenden lane South
Perivale, UB6 7RH
MADE IN CHINA

ES

Si tiene alguna pregunta, comuníquese con nuestro Centro de Atención al Cliente. Nuestros datos de contacto son los siguientes:



0034-931294512



atencioncliente@aosom.es

IMPORTADOR:

SPANISH AOSOM, S.L.
C/ ROC GROS, N° 15. 08550, ELS HOSTALETS DE
BALENYÀ, SPAIN.
B66295775
WWW.AOSOM.ES
ATENCIONCLIENTE@AOSOM.ES
TEL: 931294512
HECHO EN CHINA

FR

Si vous avez la moindre question, veuillez contacter notre centre d'assistance à la clientèle.

Nos coordonnées sont les suivantes:



0033-1-84166106



aosom@mhfrance.fr

Importé par:

MH France
2, rue Maurice Hartmann
92130 Issy-les-Moulineaux
France
Fabriqué en Chine

PT

Se tiver alguma dúvida, por favor contacte o nosso Centro de Atendimento ao Cliente. Os nossos dados de contacto são os seguintes:



0034-931294512



info@aosom.pt.

IMPORTADOR:

SPANISH AOSOM, S.L.
C.ROC GROS N.15, 08550. ELS HOSTALETS DE BALENYÀ
TEL: 931294512 (SEG-SEX DAS 7:30H ÀS 16:30H)
INFO@AOSOM.PT
WWW.AOSOM.PT

DE

Wenn Sie Fragen haben, wenden Sie sich bitte an unser Kundendienstzentrum.

Unsere Kontaktdaten stehen unten:



0049-0(40)-88307530



service@aosom.de

ADRESSE DES IMPORTEURE:

MH Handel GmbH
Wendenstraße 309
D-20537 Hamburg
Germany
IN CHINA HERGESTELLT

IT

In caso di dubbio, si prega di contattare il nostro centro assistenza clienti. I nostri dettagli di contatto sono di seguito:



0039-0249471447



clienti@aosom.it

IMPORTATO DA:

AOSOM Italy srl
Centro Direzionale Milanofiori
Strada 1 Palazzo F1
20057 Assago (MI)
P.I.: 08567220960
FATTO IN CINA