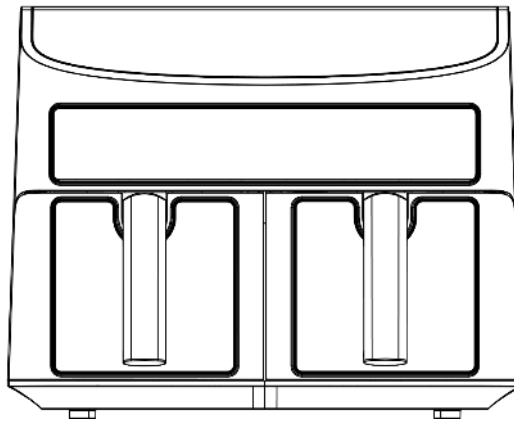




IN230700217V01_UK_FR_DE_IT

800-174V70_800-174V90

HIC-AF-9001DG



EN_DUAL BASKET DIGITAL AIR FRYER INSTRUCTION MANUAL

* When using electrical appliances, always follow basic safety precautions.

Do not use the unit until you have read this manual thoroughly.

FR_FRITEUSE À AIR NUMÉRIQUE À DOUBLE PANNEAU MANUEL D'INSTRUCTION

* Lors de l'utilisation d'appareils électriques, il convient de toujours respecter les mesures de sécurité de base.

DE_DIGITALE HEISSLUFTFRITTEUSE MIT ZWEI KÖRBE N BEDIENUNGSANLEITUNG

* Beachten Sie bei der Verwendung von Elektrogeräten immer die grundlegenden Sicherheitsmaßnahmen. Verwenden Sie das Gerät erst dann, wenn Sie dieses Handbuch sorgfältig gelesen haben.

IT_MANUALE D'ISTRUZIONI DELLA FRIGGITRICE DIGITALE A DOPPIO CESTELLO

* Quando si utilizzano apparecchi elettrici, seguire sempre le precauzioni di sicurezza di base.

Non utilizzare l'apparecchio prima di aver letto attentamente il presente manuale.



EN_IMPORTANT, RETAIN FOR FUTURE REFERENCE: READ CAREFULLY.

FR_IMPORTANT: A LIRE ATTENTIVEMENT ET À CONSERVER POUR CONSULTATION ULTÉRIEURE.

ES_IMPORTANTE, LEA Y GUARDE PARA FUTURAS REFERENCIAS.

PT_IMPORTANTE, RETER PARA REFERÊNCIA FUTURA: LEIA ATENTAMENTE.

DE_WICHTIG! SORFGFÄLTIG LESEN UND FÜR SPÄTERES NACHSCHLAGEN AUFBEWAHREN.

IT_IMPORTANTE! CONSERVARE IL PRESENTE MANUALE PER FUTURO RIFERIMENTO E LEGGERLO ATTENTAMENTE.

CONTENTS

Important Safeguards	2
Parts	3
Understanding your appliance	4
Before First Use.....	4
Function Buttons	5
Operating Buttons	5
Cooking in Your Dual Basket Air Fryer	6
Cooking in a Single Zone	7
Air broil.....	7
Air Fry	8
Roast.....	8
Bake.....	8
Reheat	8
Keep Warm	9
Fries.....	9
Bacon.....	9
Wings.....	10
Dehydrate	10
Cleaning Your Dual Basket Air Fryer.....	10
Storage Your Dual Basket Air Fryer	10
Helpful Tips	11
Troubleshooting Guide	12
Guarantee and Services.....	12

IMPORTANT SAFEGUARDS

HOUSEHOLD USE ONLY. READ ALL INSTRUCTIONS.

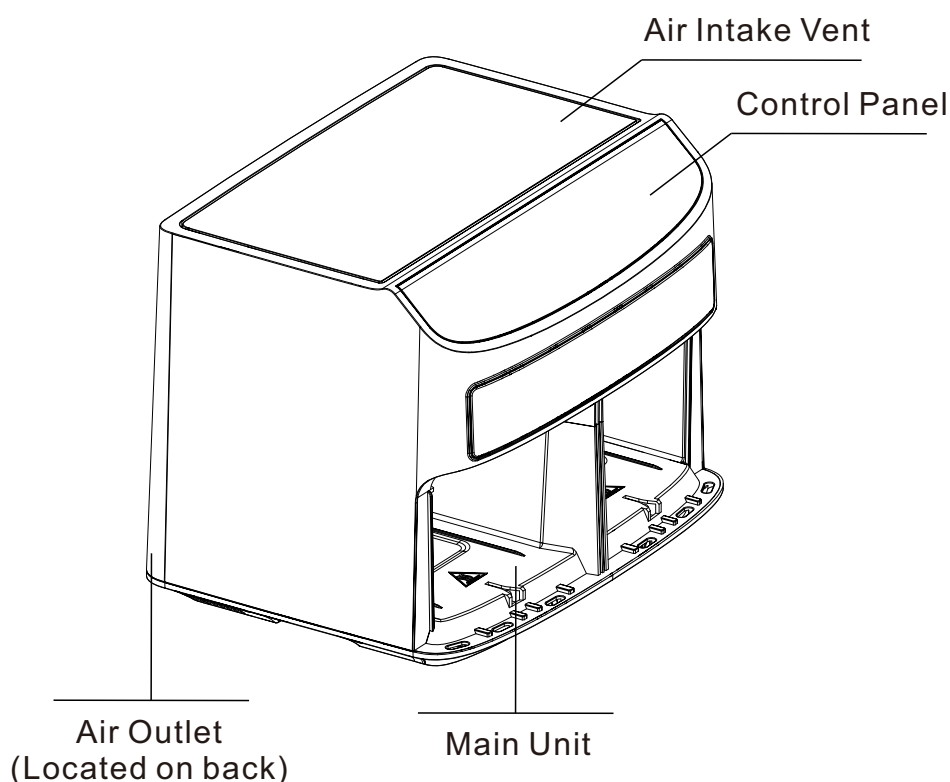
When using electrical appliances, always follow basic safety precautions, including the following:

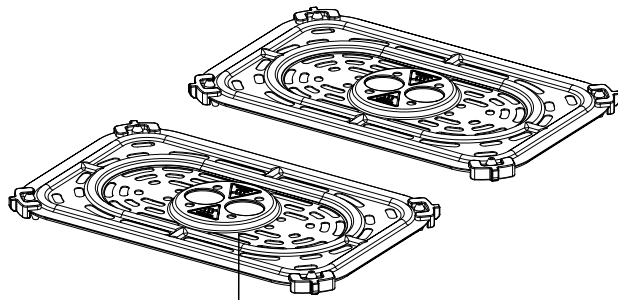
WARNING

1. This appliance can be used by persons with reduced physical, sensory or mental capabilities or lack of experiences if they have been instructed on the use of the appliance. They must understand the hazards involved.
2. Keep the appliance and its cord out of the reach of children. Children **MUST NOT** use this appliance. Closely supervise children when near this appliance.
3. Children must not play with this appliance.
4. **NEVER** use an electrical socket below the counter.
5. **NEVER** connect this appliance to an external timer switch or separate remote control system.
6. When using this appliance, keep at least six inches of space above and on all sides of the appliance, ensuring air circulates properly.
7. To avoid the risk of electric shocks, **DO NOT** immerse the cord, plugs or appliance in water or other liquids. Only use the basket provided to cook.
8. Regularly inspect the appliance and power cord. **DO NOT** use the appliance with a damaged power cord or plug. If the appliance malfunctions or has been damaged in any way, stop using it immediately and contact customer service.
9. **DO NOT** use an extension cord. A short cord is used, so children cannot grab it or become entangled. It also reduces the risk of people tripping over the cord.
10. Ensure the appliance is properly assembled before use.
11. While the unit is operating, **DO NOT** cover the air intake vent or air outlet. This could result in uncooked food, cause the appliance to overheat or cause damage.
12. Before placing the basket into the main unit, clean and dry the basket and unit with a soft cloth.
13. This appliance is for household use only. **DO NOT** use this appliance for anything other than its intended use. **DO NOT** use it in moving vehicles or boats. **DO NOT** use outdoors. Misuse can cause injury or damage.
14. Place the appliance on a stable, level and dry surface. **DO NOT** move the appliance when in use.
15. **DO NOT** place the appliance on the edge of a counter when in use.
16. **DO NOT** use accessory attachments, which are not recommended or sold by the manufacturer. **DO NOT** place accessories in a microwave, in any type of oven or on a ceramic cooktop, electric coil, gas burner range or outdoor grill. Accessory attachments, which are not recommended by the manufacturer, can cause a fire, electric shock and injury to persons.
17. **ALWAYS** ensure the basket is properly closed before operating.
18. **DO NOT** use the appliance without the basket installed.
19. **DO NOT** use this appliance for deep frying.
20. Keep the appliance away from hot surfaces, hot gases, electric burners and heated ovens.
21. Prevent food from touching the heating elements. **DO NOT** overfill when cooking. Overfilling can cause property damage or personal injury.
22. **NEVER** place items on top of this appliance.
23. Socket voltages can vary, affecting the performance of your product. To prevent possible illness, use a thermometer to ensure your food is cooked to the recommended temperature..

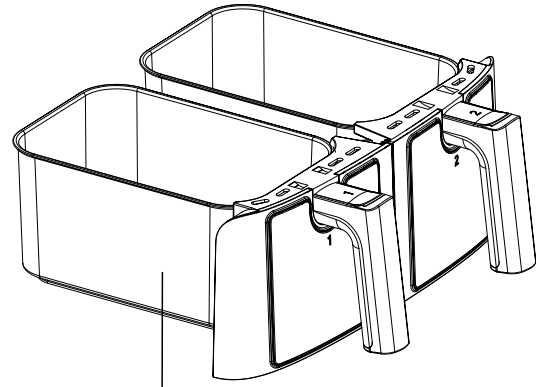
24. Should the unit emit black smoke, unplug it immediately. Wait for the smoke to stop before removing any cooking accessories.
25. The appliance surface is covered with stainless steel. DO NOT touch the surface whilst in use.
26. DO NOT touch hot surfaces. Appliance surfaces are hot during and after use. To prevent burns or personal injury, always use protective hot pads or insulated oven mitts. Always use available handles.
27. Take extreme caution when the appliance contains hot food. Improper use can result in personal injury.
28. The appliance must be connected with a grounded socket, ensuring that it is inserted correctly.
29. Spilled food can cause serious burns. Keep this appliance and cord away from children. DO NOT let the cord hang over the edges of tables or touch hot surfaces.
30. During the cooking process, the basket and crisper plate become extremely hot. Avoid physical contact when removing the basket and plate from the appliance. Once removed, place the basket or plate on a heatresistant surface. DO NOT touch accessories during or immediately after cooking.
31. Children must not clean or perform maintenance on this appliance.
32. To disconnect, press the power button to turn the unit off, then unplug from the socket. Before cleaning or disassembly, allow the appliance to cool down completely.
33. DO NOT clean with metal scouring pads. Pieces can break off the pad and touch electrical parts – this can cause an electric shock.
34. During its first use, the unit may emit smoke. This is normal – the smoke will disappear within a few minutes.
35. Please refer to the 'Cleaning & maintenance' section for maintaining your appliance

PARTS





Crisper Plates
(One for each zone)

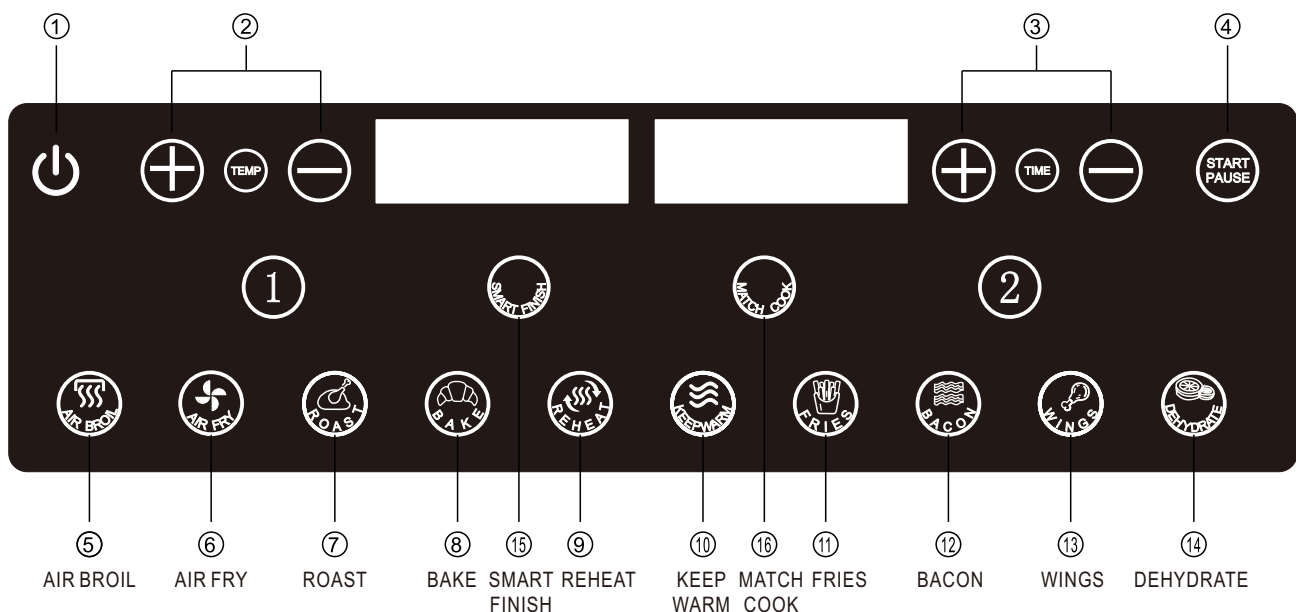


Baskets
(One for each basket)

UNDERSTANDING YOUR APPLIANCE BEFORE FIRST USE

1. Remove and discard any packaging material, promotional labels and tape from the unit.
2. Remove all accessories from the package and read this manual carefully. Pay particular attention to operational instructions, 'warnings' and 'important safeguards' to avoid injury or property damage.
3. Wash the baskets and crisper plates in hot, soapy water, then rinse and dry thoroughly.
4. Clean the inside and outside of the product with a damp cloth, then dry thoroughly.
5. This appliance uses air-heating technology. Never pour oil or fat into the fryer.

Function Buttons



1. Power button: Press to turn the appliance on and off. When the appliance is plugged in, the power button will light up. Pressing the button once will illuminate the full panel – the digital screen will show 'On'. Holding the power button for three seconds will shut off the appliance.
2. Temperature control buttons: Allows you to raise or lower the cooking temperature by 5°C.
3. Time control buttons: Allows you to select an exact cooking time to the minute.
4. Start/Pause: After selecting the temperature and time, press this button to start cooking. To pause the cooking, first, select the zone you would like to pause, then press the 'Start/Pause' button.
5. Air broil: Add the crispy finishing touch to meals or melt toppings.

6. Air fry: Use this function to give your food extra crispiness and crunch – little to no oil needed.
7. Roast: Use this function for tender meats and more.
8. Bake: Make baked treats and desserts.
9. Reheat: Warm your leftovers, providing a crispy result.
10. Keep warm: Use this function to keep your food warm after cooking.
11. Chips: Use this function to cook chips.
12. Bacon: Use this function to cook bacon.
13. Wings: Use this function to cook chicken wings.
14. Dehydrate: Use this function to dehydrate meats, fruits and vegetables, providing a healthy snack.
15. Smart finish: Automatically syncs the cooking times on both zones, ensuring they finish at the same time, even if they have different cooking times.
16. Match cook: 'Zone 2' settings will match with 'Zone 1', so you can cook a larger amount of the same food or cook different foods using the same function, temperature and time.

Note:

Standby mode: If there is no interaction with the control panel for five minutes, the unit will enter standby - only the power button will light up.

OPERATING BUTTONS

- 1) Controls the output for the basket on the left.
- 2) Controls the output for the basket on the right.

TEMP arrows: Before or during cooking, use the up and down arrows to adjust the cooking temperature.

TIMER arrows: Before or during cooking, use the up and down arrows to adjust the cooking time in any function.

COOKING PRESETS

Preset Button Cooking Chart

Menu	Default TEMP	Default TIME (One Basket/Two Basket)	TEMP Range	TIME Range
AIR BROIL	230 °C	10mins	205-230°C	1 - 30 mins
AIR FRY	200 °C	20mins	150-205°C	1 - 60 mins
ROAST	190 °C	15mins	120-205°C	1 min - 4 hrs (5 mins)
BAKE	105 °C	15mins	105-205°C	1 min - 4 hrs (5 mins)
REHEAT	175 °C	15mins	130-200°C	1 - 60 mins
KEEP WARM	95 °C	30mins	65-95°C	30min - 8hrs (15 mins)
FRIES	205 °C	15mins	75-205°C	1 - 60 mins
BACON	190 °C	6mins	75-205°C	1 - 60 mins
WINGS	205 °C	25mins	75-205°C	1 - 60 mins
DEHYDRATE	65 °C	6hours	40-90°C	1 - 12hrs (15 mins)

* **NOTE:** Air broil cannot be used in both zones at the same time.

NOTE: Default settings are for reference only. Food ingredients differ in source, size, shape and brand. We cannot guarantee that these are the best settings for your ingredients. The fast air change technology provides renewed heating inside the appliance immediately - pulling the basket out of the unit during operation will hardly affect the cooking process.

NOTE: If the dual basket air fryer starts with a cold boot, the cooking time should be for three minutes longer.

COOKING IN YOUR DUAL BASKET AIR FRYER

SMART FINISH

When foods have different cooking times, temperatures or functions, you can get them to finish at the same time. Follow these steps:

1. Place ingredients in the baskets, then place the baskets into the unit.
2. Press 'SMART FINISH' - Zone 1 will remain illuminated. Select the desired cooking function. Use the TEMP arrows to set the temperature and use the TIME arrows to set the time.
3. Select Zone 2, then select the desired cooking function (AIR BROIL is not available for Zone 2). Use the TEMP arrows to set the temperature and use the TIME arrows to set the time.

NOTE: Air broil can only be used in Zone 1.

NOTE: You can select a different function for Zone 2.

4. Then press the START/PAUSE button to begin cooking in the zone with the longest time. The other zone will display 'HOLD'. The unit will activate the second zone when both zones have the same time remaining.

NOTE: Some food ingredients require overturning when cooking. To overturn, hold the handle and pull out the basket from the product, then turn the ingredients. After that, slide the basket back into the unit. When you pull out the basket from the product, the screen displays 'Stop'.

NOTICE: When using for the first time, adjust the temperature to 200 °C and let the unit run for 30 minutes without food inside.

5. When cooking is complete, the unit will beep three times and 'End' will appear on the display. The motor will stop working after 20 seconds. When the unit stops, 'On' appears on the display.
6. Remove ingredients by tipping them out or using tongs/utensils. DO NOT place the drawer on top of the unit.

MATCH COOK

To cook a larger amount of the same food or cook different foods using the same function, temperature, and time:

1. Place ingredients in the baskets, then insert baskets into the unit.
2. Press the 'MATCH COOK' button and select a desired cooking function (air broil is not available with this function). Use the 'TEMP' arrows to set the temperature. Use the 'TIME' arrows to set the time. The two screens will display the same temperature at the same time.
3. Press 'START/PAUSE' to begin cooking in both zones.

NOTE: Some ingredients need overturning during the cooking process. To overturn the ingredients, hold the handle and pull out the basket from the product, then turn the ingredients. After that, slide the basket back into the unit. When you remove the basket, the two screens will display 'Stop'.

4. When cooking is complete, the unit will beep three times and 'End' will appear on the

display. The motor will stop working after 20 seconds. When the unit stops, 'On' will appear on the display.

5. Remove ingredients by tipping them out or using tongs/utensils. DO NOT place the drawer on top of the unit.

NOTE: Air broil cannot be used in 'Match Cook' mode.

Starting both zones at the same time, but ending at different times:

1. Select zone 1, then select the desired function. Use the TEMP arrows to set the temperature. Use the TIME arrows to set the time.
2. Select zone 2, then select the desired function. Use the TEMP arrows to set the temperature. Use the TIME arrows to set the time. Note: Air broil is not available in Zone 1.
3. Press the 'START/PAUSE' button to begin cooking in both zones.
4. When cooking is complete in one zone, the unit will beep three times and 'End' will appear on the display. The motor will stop working after 20 seconds and 'On' will appear on the zone display.
5. Remove ingredients by tipping them out or using tongs/utensils, then wait for the ingredients in the other basket to finish cooking.

PAUSING BOTH ZONES AT THE SAME TIME

1. To pause the time in the 'SMART FINISH' mode or to pause both zones in dual cooking, press the 'START/PAUSE' button.
2. To resume cooking, press the 'START/PAUSE' button again.

PAUSING A SINGLE ZONE DURING DUAL ZONE COOKING

1. To pause the time in a single zone while both zones are running, select the zone you want to pause, then press the 'START/PAUSE' button. To pause one zone whilst both zones are running, select the zone you want to pause, then press the 'START/PAUSE' button.
2. To resume cooking, press the 'START/PAUSE' button again.

CANCEL OPERATION

In any mode, press the 'START/PAUSE' button, then press the power button to cancel a programme. The unit will stop working and 'On' will appear on the display.

COOKING IN A SINGLE ZONE

To turn on the unit, plug the power cord into a wall outlet, then press the power  button.

Air broil

Note: Air broil cannot be used in both zones at the same time.

1. Place the crisper plate into the basket, then add the ingredients into the basket and place the basket into the unit.
2. The unit will default to Zone 1 (to use Zone 2, select Zone 2). Select 'air broil'.
3. Use the TEMP arrows to set the desired temperature.
4. Use the TIME arrows to set the time up to 30 minutes (each press adds/subtracts one minute).
5. Press the 'START/PAUSE' button to begin cooking.
6. When cooking is complete, the unit will beep three times and 'End' will appear on the display. The motor will stop working after 20 seconds. When the unit stops, 'On' will appear on the display. Remove ingredients by tipping them out or using tongs/utensils.

Air fry

1. Place the crisper plate into the basket, then add the ingredients into the basket and place the basket into the unit.
2. The unit will default to Zone 1 (to use Zone 2, select Zone 2). Select 'air fry'.
3. Use the TEMP arrows to set the desired temperature.
4. Use the TIME arrows to set the time up to 30 minutes (each press adds/subtracts one minute).
5. Press the 'START/PAUSE' button to begin cooking.

NOTE: During cooking, you can remove the basket and shake or toss ingredients for even crisping. To overturn ingredients, hold the handle and pull out the basket from the product, then turn the ingredients. After that, slide the basket back into the unit. When you pull out the basket from the product, the screen will show 'Stop'.

6. When cooking is complete, the unit will beep three times and 'End' will appear on the display. The motor will stop working after 20 seconds. When the unit stops, 'On' will appear on the display. Remove ingredients by tipping them out or using tongs/utensils.

Roast

1. Install the crisper plate into the basket (optional), then place the ingredients into the basket and insert it back into the unit.
2. The unit will default to Zone 1 (to use Zone 2, select Zone 2). Select 'ROAST'.
3. Use the TEMP arrows to set the desired temperature.
4. Use the TIME arrows to set the time up to four hours (each press adds/subtracts five minutes).
5. Press the 'START/PAUSE' button to begin cooking.
6. When cooking is complete, the unit will beep three times and 'End' will appear on the display. The motor will stop working after 20 seconds. When the unit stops, 'On' will appear on the display. Remove ingredients by tipping them out or using tongs/utensils.

Bake

1. Install the crisper plate into the basket (optional), then place the ingredients into the basket and insert it back into the unit.
 2. The unit will default to Zone 1 (to use zone 2, select Zone 2). Select 'BAKE'.
- NOTE:** To convert recipes from a traditional oven, reduce the temperature by 5°C.
3. Use the TEMP arrows to set the desired temperature.
 4. Use the TIME arrows to set the timer up to four hours (each press adds/subtracts five minutes).
 5. Press the 'START/PAUSE' button to begin cooking.
 6. When baking is complete, the unit will beep three times and 'End' will appear on the display. The motor will stop working after 20 seconds. When the unit stops, 'On' will appear on the display. Remove ingredients by tipping them out or using tongs/utensils.

Reheat

1. Install the crisper plate into the basket (optional), then place the ingredients into the basket and insert it back into the unit.
2. The unit will default to Zone 1 (to use Zone 2 instead, select Zone 2). Select 'REHEAT'.
3. Use the TEMP arrows to set the desired temperature.
4. Use the TIME arrows to set the timer up to one hour (each press adds/subtracts one minute).

5. Press the START/PAUSE button to begin reheating.
6. When reheating is complete, the unit will beep three times and 'End' will appear on the display. The motor will stop working after 20 seconds. When the unit stops, 'On' will appear on the display. Remove ingredients by tipping them out or using tongs/utensils.

Keep Warm

1. Install the crisper plate into the basket (optional), then place the ingredients into the basket and insert it back into the unit.
2. The unit will default to Zone 1 (to use Zone 2, select Zone 2). Select 'KEEP WARM'.
3. Use the TEMP arrows to set the desired temperature.
4. Use the TIME arrows to set the timer up to eight hours (each press adds/subtracts 15 minutes).
5. Press the 'START/PAUSE' button to begin this function.
6. When this function is complete, the unit will beep three times and 'End' will appear on the display. The motor will stop working after 20 seconds. When the unit stops, 'On' will appear on the display. Remove ingredients by tipping them out or using tongs/utensils.

Fries

1. Install the crisper plate into the basket, then place the ingredients into the basket and insert it back into the unit.
2. The unit will default to Zone 1 (to use Zone 2, select Zone 2). Select 'FRIES'.
3. Use the TEMP arrows to set the desired temperature.
4. Use the TIME arrows to set the timer up to one hour (each press adds/subtracts one minute).
5. Press the 'START/PAUSE' button to begin cooking.

NOTE: During cooking, you can remove the basket and shake or toss ingredients for even crisping. To overturn ingredients, hold the handle and pull out the basket from the product, then turn the ingredients. After that, slide the basket back into the unit. When you pull out the basket from the product, the screen will show 'Stop'.

6. When cooking is complete, the unit will beep three times and 'End' will appear on the display. The motor will stop working after 20 seconds. When the unit stops, 'On' will appear on the display. Remove ingredients by tipping them out or using tongs/utensils.

Bacon

1. Install the crisper plate into the basket, then place the ingredients into the basket and insert it back into the unit.
2. The unit will default to Zone 1 (to use Zone 2, select Zone 2). Select 'BACON'.
3. Use the TEMP arrows to set the desired temperature.
4. Use the TIME arrows to set the timer up to one hour (each press adds/subtracts one minute).
5. Press the 'START/PAUSE' button to begin cooking.
6. When cooking is complete, the unit will beep three times and 'End' will appear on the display. The motor will stop working after 20 seconds. When the unit stops, 'On' will appear on the display. Remove ingredients by tipping them out or using tongs/utensils.

Wings

1. Install the crisper plate into the basket, then place the ingredients into the basket and insert it back into the unit.
2. The unit will default to Zone 1 (to use Zone 2 instead, select Zone 2). Select 'WINGS'.
3. Use the TEMP arrows to set the desired temperature.
4. Use the TIME arrows to set the timer up to one hour (each press adds/subtracts one minute).
5. Press the 'START/PAUSE' button to begin cooking.
6. When cooking is complete, the unit will beep three times and 'End' will appear on the display. The motor will stop working after 20 seconds. When the unit stops, 'On' will appear on the display. Remove ingredients by tipping them out or using tongs/utensils.

Dehydrate

1. Place a single layer of ingredients in the basket. Then install the crisper plate in the basket on top of the ingredients. Finish by placing another layer of ingredients on the crisper plate.
2. The unit will default to Zone 1 (to use Zone 2, select Zone 2). Select 'DEHYDRATE'. The default temperature will appear on the display.
3. Use the TEMP arrows to set the desired temperature.
4. Use the TIME arrows to set a timer between 1-12 hours (each press adds/subtracts 15 minutes).
5. Press the 'START/PAUSE' button to begin dehydrating.
6. When cooking is complete, the unit will beep three times and 'End' will appear on the display. The motor will stop working after 20 seconds. When the unit stops, 'On' will appear on the display. Remove ingredients by tipping them out or using tongs/utensils.

CLEANING YOUR DUAL BASKET AIR FRYER

Clean the unit thoroughly after each use.

Non-sticking painted coat covers the inside of the baskets, crisper plates and product. Do not use kitchen wares or abrasive cleaning material for cleaning - this will damage the coating.

1. Unplug the appliance and let it cool down completely. Take out the baskets, allowing the unit to cool down faster.
2. Use a damp cloth to clean the outside parts of the appliance.
3. Clean the baskets or the bottom of the baskets with hot water, detergent and a non-abrasive sponge. Add the hot water and detergents into the baskets together. Place the crisper plates into the baskets, allowing them to soak for 10 minutes.
4. Clean the inside of the product with hot water and a non-abrasive sponge.
5. Use a cleaning brush to clean the heating components, removing any remaining food residue.
6. Clean the air inlet opening and air outlet opening with a clean brush.

Note: If food residue is stuck on the crisper plates or baskets, place them in a sink filled with warm, soapy water and allow them to soak.

STORING YOUR DUAL BASKET AIR FRYER

1. Ensure the appliance is cool, then clean and dry all parts before storing.
2. Never store the dual basket air fryer while hot or wet.
3. Put the clean crisper plates into each fryer basket, then place the fryer baskets into the appliance.
4. Store the appliance in its box or in a clean, dry place.

HELPFUL TIPS

1. For consistent browning, make sure ingredients are arranged in an even layer on the bottom of the basket with no overlapping. If ingredients are overlapping, make sure to shake them halfway through cooking.
2. Temperature and time can be adjusted during cooking. Press the 'START/PAUSE' button, select the zone you want to adjust, then press the TEMP arrows to adjust the temperature or the TIME arrows to adjust the time. After that, press the 'START/PAUSE' button again.
3. To convert recipes from a traditional oven, reduce the temperature by 5°C. Check food frequently to avoid overcooking.
4. Occasionally, the fan from the air fryer will blow lightweight foods around. To stop this, secure foods (like the top slice of bread on a sandwich) with wooden toothpicks.
5. The crisper plates elevate ingredients in the baskets, allowing air to circulate under and around ingredients for even, crisp results.
6. After selecting a cooking function, you can press the 'START/PAUSE' button to begin cooking immediately. The unit will run at the default temperature and time.
7. For best results with fresh vegetables and potatoes, use at least one tablespoon of oil. Add more oil as desired to achieve the preferred level of crispiness.
8. For best results, check progress throughout cooking and remove food when it is at the desired level of brownness. We recommend using an instant-read thermometer to monitor the internal temperature of food.
9. For best results, remove food directly after the cooking time is complete to avoid overcooking.

REPLACEMENT PARTS

To order additional parts and accessories, you can contact the manufacturer or customer service centre.

FAQs

How do I adjust the temperature or time while using a single zone?

When a single zone is running, press the 'START/PAUSE' button, then adjust the time or temperature by pressing the up/down arrows.

How do I adjust the temperature or time while using both zones?

Press the 'START/PAUSE' button, select the desired zone, then use the TEMP arrows to adjust the temperature or the TIME arrows to adjust the time.

Can I cook different foods in each zone and not worry about cross-contamination?

Yes, both zones are self-contained with separate heating elements and fans.

How do I pause or stop one zone when using both zones?

Select the zone you want to pause or stop, then press the START/PAUSE button.

Are the baskets safe to put on my countertop?

The baskets will heat up during cooking. Use caution when handling them and place them on heat-safe surfaces only. DO NOT place the baskets on the top of the unit.

When should I use the crisper plate?

Use the crisper plate when you want food to come out crispy. The plate elevates the food in the basket, allowing air to flow under and around it, cooking ingredients evenly.

Why didn't my food cook fully?

Make sure the basket is fully inserted during cooking. For consistent browning, make sure ingredients are arranged in an even layer on the bottom of the basket with no overlapping. Shake the basket to toss ingredients for even crispiness.

Why is my food burned?

For best results, check progress throughout cooking and remove food when it's at the desired level of brownness. Remove food immediately after the cooking time is complete to avoid overcooking.


Why do some ingredients blow around when air frying?

Occasionally, the fan from the air fryer will blow lightweight foods around. Use wooden toothpicks to secure loose lightweight food (e.g. the top slice of bread on a sandwich).

Can I air fry wet, battered ingredients?

Yes, but use the proper breading technique. It is important to coat foods first with flour, egg, then with bread crumbs. Press breading firmly onto the battered ingredients, so crumbs won't be blown away because of the fan.

Why did the display screen go black?

The unit is in standby mode. Press the power  button to turn it back on.

Why is the unit beeping?

The food is done cooking.

Why is there an 'E' message on the display screen?

The unit is not functioning properly. Please contact the manufacturer or its service agent.

Guarantee and Services

If you require services or repairing, or have any doubt, you can contact your local customer centre. If there is no customer centre near your location, you can contact the supplier.

If you have any questions, please contact our customer care center.

Our contact details are below:

SOMMAIRE

Consignes de sécurité importantes	14
Pièces	15
Comprendre votre appareil	16
Avant la première utilisation.....	16
Boutons de fonction	17
Boutons de commande	17
Cuisson dans votre friteuse à air à double panier	18
Cuisson dans une seule zone	19
Grillage à l'air	19
Friture à l'air	20
Rôtissage.....	20
Cuisson au four.....	20
Réchauffage	20
Maintien au chaud	21
Frites.....	21
Bacon.....	21
Ailes.....	22
Déshydratation	22
Nettoyage de votre friteuse à air à double panier.....	22
Rangement de votre friteuse à air à double panier... ..	22
Conseils utiles	23
Guide de dépannage	24
Garantie et services.....	24

CONSIGNES DE SÉCURITÉ IMPORTANTES

UTILISATION DOMESTIQUE UNIQUEMENT. LIRE TOUTES LES INSTRUCTIONS.

Lors de l'utilisation d'appareils électriques, il convient de toujours respecter les mesures de sécurité de base, notamment les suivantes:

AVERTISSEMENT

1. Cet appareil peut être utilisé par des personnes ayant des capacités physiques, sensorielles ou mentales réduites ou un manque d'expérience si elles ont été instruites sur l'utilisation de l'appareil. Elles doivent comprendre les dangers impliqués.
2. Gardez l'appareil et son cordon hors de la portée des enfants. Les enfants **NE DOIVENT PAS** utiliser cet appareil. Surveillez étroitement les enfants à proximité de cet appareil.
3. Les enfants ne doivent pas jouer avec cet appareil.
4. **NE JAMAIS** utiliser une prise électrique en dessous du comptoir.
5. **NE JAMAIS** brancher cet appareil à un minuteur externe ou à un système de télécommande séparé.
6. Lors de l'utilisation de cet appareil, laissez au moins six pouces d'espace au-dessus et sur tous les côtés de l'appareil pour assurer une circulation d'air adéquate.
7. Pour éviter le risque de chocs électriques, **NE PAS** immerger le cordon, les fiches ou l'appareil dans l'eau ou d'autres liquides. Utilisez uniquement le panier fourni pour cuisiner.
8. Inspectez régulièrement l'appareil et le cordon d'alimentation. N'utilisez pas l'appareil avec un cordon d'alimentation ou une fiche endommagés. Si l'appareil présente un dysfonctionnement ou a été endommagé de quelque manière que ce soit, cessez immédiatement de l'utiliser et contactez le service client.
9. N'utilisez **PAS** de rallonge. Un cordon court est utilisé pour éviter que les enfants ne le saisissent ou ne s'emmêlent dedans. Cela réduit également le risque que les personnes trébuchent sur le cordon.
10. Assurez-vous que l'appareil est correctement assemblé avant utilisation.
11. Pendant que l'unité fonctionne, **NE COUVREZ PAS** l'entrée d'air ou la sortie d'air. Cela pourrait entraîner une cuisson insuffisante des aliments, provoquer une surchauffe de l'appareil ou causer des dommages.
12. Avant de placer le panier dans l'unité principale, nettoyez et séchez le panier et l'unité avec un chiffon doux.
13. Cet appareil est destiné à un usage domestique uniquement. N'utilisez pas cet appareil à d'autres fins que celles prévues. Ne pas l'utiliser dans des véhicules en mouvement ou des bateaux. Ne pas utiliser à l'extérieur. Une utilisation incorrecte peut causer des blessures ou des dommages.
14. Placez l'appareil sur une surface stable, plane et sèche. **NE PAS** déplacer l'appareil lorsqu'il est en cours d'utilisation.
15. **NE PAS** placer l'appareil sur le bord d'un comptoir lors de son utilisation.
16. N'utilisez **PAS** d'accessoires non recommandés ou vendus par le fabricant. **NE** placez **PAS** d'accessoires dans un four à micro-ondes, dans un four quelconque ou sur une plaque de cuisson en céramique, une plaque électrique, une cuisinière à gaz ou un gril extérieur. Les accessoires non recommandés par le fabricant peuvent provoquer un incendie, un choc électrique et des blessures aux personnes.
17. Assurez-vous **TOUJOURS** que le panier est correctement fermé avant de l'utiliser.
18. N'utilisez **PAS** l'appareil sans le panier installé.
19. N'utilisez **PAS** cet appareil pour la friture profonde.
20. Gardez l'appareil loin des surfaces chaudes, des gaz chauds, des brûleurs électriques et des fours chauffés.
21. Évitez que les aliments touchent les éléments chauffants. **NE PAS** surcharger lors de la cuisson. Une

surcharge peut causer des dommages matériels ou des blessures personnelles.

22. NE placez JAMAIS d'objets sur le dessus de cet appareil.

23. Les tensions des prises peuvent varier, ce qui peut affecter les performances de votre produit. Pour éviter tout risque de maladie, utilisez un thermomètre pour vous assurer que vos aliments sont cuits à la température recommandée.

24. Si l'appareil émet de la fumée noire, débranchez-le immédiatement. Attendez que la fumée cesse avant de retirer tout accessoire de cuisson.

25. La surface de l'appareil est en acier inoxydable. NE touchez pas la surface pendant son utilisation.

26. NE touchez PAS les surfaces chaudes. Les surfaces de l'appareil sont chaudes pendant et après utilisation. Pour éviter les brûlures ou les blessures personnelles, utilisez toujours des gants de protection ou des maniques isolantes. Utilisez toujours les poignées disponibles.

27. Soyez extrêmement prudent lorsque l'appareil contient des aliments chauds. Une utilisation incorrecte peut entraîner des blessures personnelles.

28. L'appareil doit être branché sur une prise de terre, en veillant à ce qu'il soit correctement inséré.

29. Les aliments renversés peuvent causer de graves brûlures. Gardez cet appareil et son cordon hors de la portée des enfants. NE laissez pas le cordon pendre sur les bords des tables ou toucher des surfaces chaudes.

30. Pendant le processus de cuisson, le panier et le plat croustillier deviennent extrêmement chauds. Évitez tout contact physique lors du retrait du panier et du plateau de l'appareil. Une fois retirés, placez le panier ou le plateau sur une surface résistante à la chaleur. NE touchez pas aux accessoires pendant ou immédiatement après la cuisson.

31. Les enfants ne doivent pas nettoyer ou effectuer la maintenance de cet appareil.

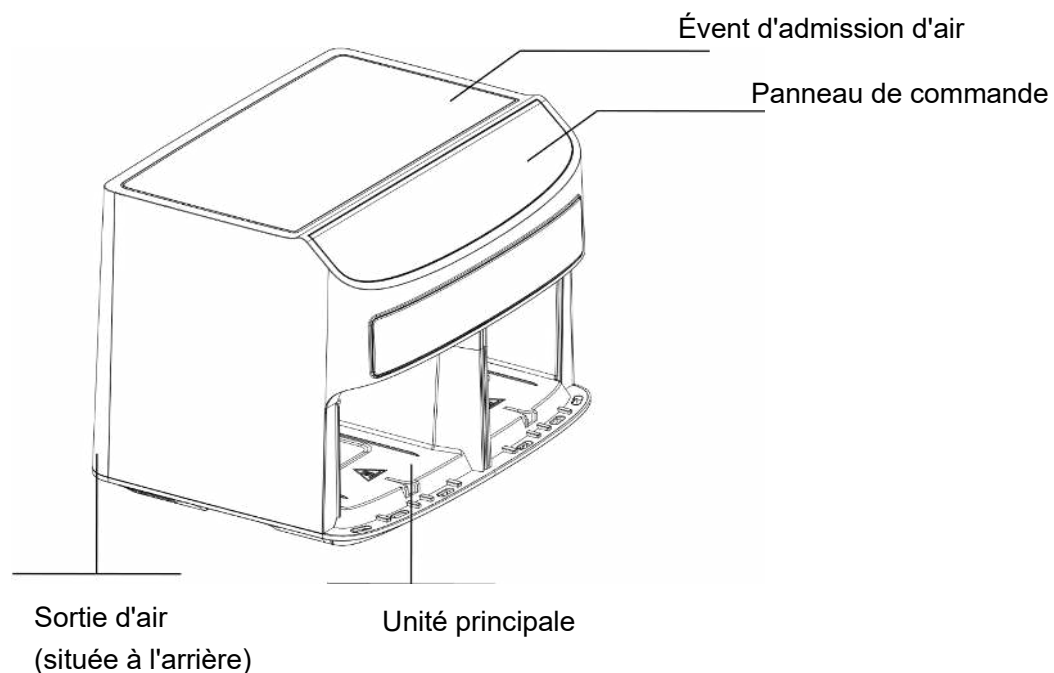
32. Pour déconnecter, appuyez sur le bouton d'alimentation pour éteindre l'appareil, puis débranchez-le de la prise. Avant de nettoyer ou de démonter, laissez l'appareil refroidir complètement.

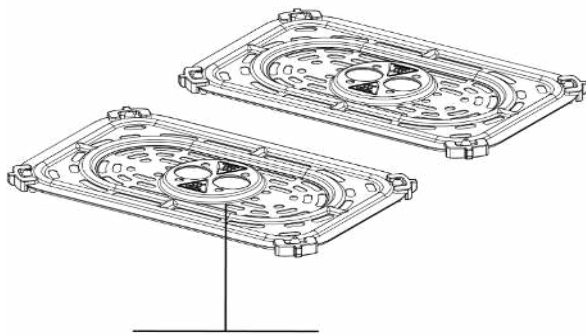
33. NE nettoyez PAS avec des tampons abrasifs en métal. Des morceaux peuvent se détacher du tampon et toucher des pièces électriques, ce qui peut provoquer une décharge électrique.

34. Lors de sa première utilisation, l'appareil peut émettre de la fumée. C'est normal - la fumée disparaîtra en quelques minutes.

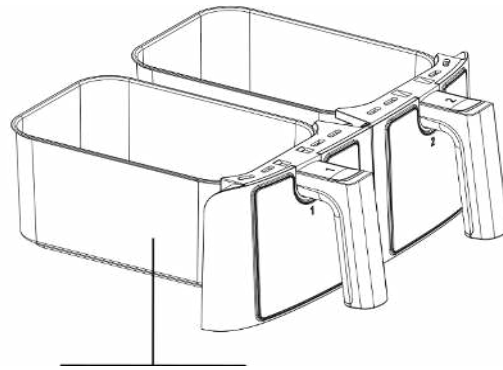
35. Veuillez vous référer à la section "Nettoyage et entretien" pour entretenir votre appareil.

PIÈCES





Plaques du plat croustillier
(Une pour chaque zone)

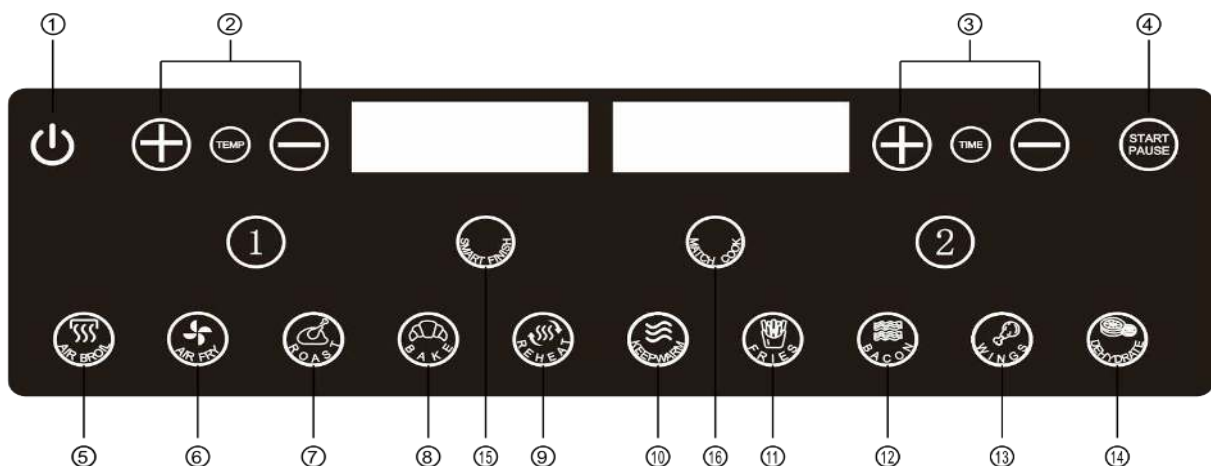


Paniers
(Un pour chaque panier)

COMPRENDRE VOTRE APPAREIL AVANT LA PREMIÈRE UTILISATION

1. Retirez et jetez tout matériau d'emballage, étiquettes promotionnelles et ruban adhésif de l'unité.
2. Retirez tous les accessoires de l'emballage et lisez attentivement ce manuel. Prêtez une attention particulière aux instructions opérationnelles, aux "AVERTISSEMENTS" et aux "Consignes de sécurité importantes" pour éviter les blessures ou les dommages matériels.
3. Lavez les paniers et les plaques croustillantes à l'eau chaude savonneuse, puis rincez et séchez soigneusement.
4. Nettoyez l'intérieur et l'extérieur du produit avec un chiffon humide, puis séchez soigneusement.
5. Cet appareil utilise une technologie de chauffage par air. Ne versez jamais d'huile ou de graisse dans la friteuse.

Boutons de fonction



1. Bouton d'alimentation : Appuyez pour allumer et éteindre l'appareil. Lorsque l'appareil est branché, le bouton d'alimentation s'allumera. Appuyer une fois sur le bouton illuminera l'écran complet – l'écran numérique affichera "On". Maintenir le bouton d'alimentation enfoncé pendant trois secondes éteindra l'appareil.
2. Boutons de contrôle de la température : Vous permettent d'augmenter ou de diminuer la température de cuisson de 5°C.
3. Boutons de contrôle du temps : Vous permettent de sélectionner un temps de cuisson exact à la minute près.

4. Démarrer/Pause : Après avoir sélectionné la température et la minuterie, appuyez sur ce bouton pour lancer la cuisson. Pour mettre la cuisson en pause, sélectionnez d'abord la zone que vous souhaitez mettre en pause, puis appuyez sur le bouton "DÉMARRER/PAUSE".
5. Grill à air : Ajoute la touche croustillante finale aux repas ou fait fondre les garnitures.
6. Friture à l'air : Utilisez cette fonction pour donner à vos aliments du croustillant et du croquant supplémentaires avec peu ou pas d'huile.
7. Rôtissage : Utilisez cette fonction pour les viandes tendres et plus encore.
8. Cuisson au four : Préparez des friandises et des desserts.
9. Réchauffage : Réchauffez vos restes, en leur donnant un résultat croustillant.
10. Maintien au chaud : Utilisez cette fonction pour garder vos aliments chauds après la cuisson.
11. Frites : Utilisez cette fonction pour cuire des frites.
12. Bacon : Utilisez cette fonction pour cuire du bacon.
13. Ailes : Utilisez cette fonction pour cuire des ailes de poulet.
14. Déshydratation : Utilisez cette fonction pour déshydrater les viandes, les fruits et les légumes, pour obtenir une collation saine.
15. Finition intelligente : Synchronise automatiquement les temps de cuisson sur les deux zones, garantissant qu'elles se terminent au même moment, même si elles ont des temps de cuisson différents.
16. Cuisson synchronisée : Les réglages de "Zone 2" correspondent à ceux de "Zone 1", vous permettant de cuisiner une plus grande quantité du même aliment ou de cuire différents aliments en utilisant la même fonction, température et durée.

Remarque :

Mode veille : Si aucune interaction avec le panneau de commande n'a lieu pendant cinq minutes, l'unité entrera en mode veille - seul le bouton d'alimentation restera allumer.

BOUTONS DE COMMANDE

- 1) Contrôle la sortie pour le panier de gauche.
- 2) Contrôle la sortie pour le panier de droite.

Flèches TEMPÉRATURE : Avant ou pendant la cuisson, utilisez les flèches haut et bas pour ajuster la température de cuisson.

Flèches MINUTERIE : Avant ou pendant la cuisson, utilisez les flèches haut et bas pour ajuster le temps de cuisson dans n'importe quelle fonction.

PRÉRÉGLAGES DE CUISSON

Bouton de pré réglage Tableau de cuisson

MENU	TEMPÉRATURE par défaut	MINUTERIE par défaut (Un panier/Deux paniers)	Plage de TEMPÉRATURE	Plage de MINUTERIE
GRILLAGE À L'AIR	230 °C	10mins	205-230°C	1 - 30 mins
FRITURE À L'AIR	200 °C	20mins	150-205°C	1 - 60 mins
RÔTISSAGE	190 °C	15mins	120-205°C	1 min - 4hrs (5 mins)
CUISSON	105 °C	15mins	105-205°C	1 min - 4hrs (5 mins)

AU FOUR				mins)
RÉCHAUFFAGE	175 °C	15mins	130-200°C	1 - 60 mins
MAINTIEN AU CHAUD	95 °C	30mins	65-95°C	30min - 8hrs (15 mins)
FRITES	205 °C	15mins	75-205°C	1 - 60 mins
BACON	190 °C	6mins	75-205°C	1 - 60 mins
AILES	205 °C	25mins	75-205°C	1 - 60 mins
DÉSHYDRATATION	65 °C	6heures	40-90°C	1 - 12hrs (15 mins)

* **REMARQUE** : Le Grillage à l'air ne peut pas être réalisé dans les deux zones en même temps.

REMARQUE : Les réglages par défaut sont fournis à titre indicatif uniquement. Les ingrédients alimentaires diffèrent en fonction de leur source, de leur taille, de leur forme et de leur marque. Nous ne pouvons pas garantir que ce sont les meilleurs réglages pour vos ingrédients. La technologie de changement d'air rapide assure un chauffage renouvelé à l'intérieur de l'appareil immédiatement - retirer le panier de l'unité pendant le fonctionnement n'affectera guère le processus de cuisson.

REMARQUE : Si la friteuse à double panier est lancée avec un démarrage à froid, le temps de cuisson doit être prolongé de trois minutes.

CUISSON DANS VOTRE FRITEUSE À DOUBLE PANIER

FINITION INTELLIGENTE

Vous pouvez faire en sorte que la cuisson des aliments ayant des temps de cuisson, des températures ou des fonctions différents se termine en même temps. Procédez comme suit :

1. Placez les ingrédients dans les paniers, puis placez les paniers dans l'unité.
2. Appuyez sur 'FINITION INTELLIGENTE' - la Zone 1 restera allumée. Sélectionnez la fonction de cuisson souhaitée. Utilisez les flèches TEMPÉRATURE pour régler la température et utilisez les flèches de MINUTERIE pour régler la minuterie.
3. Sélectionnez la Zone 2, puis sélectionnez la fonction de cuisson souhaitée (Grillage à l'air n'est pas disponible pour la Zone 2). Utilisez les flèches TEMPÉRATURE pour régler la température et utilisez les flèches de MINUTERIE pour régler la minuterie.

REMARQUE : Le Grillage à l'air ne peut être réalisé que dans la Zone 1.

REMARQUE : Vous pouvez sélectionner une fonction différente pour la Zone 2.

4. Ensuite, appuyez sur le bouton DÉMARRER/PAUSE pour commencer la cuisson dans la zone avec la minuterie la plus longue. L'autre zone affichera 'MAINTIEN'. L'unité activera la deuxième zone lorsque les deux zones auront la même durée restante.

REMARQUE : Certains ingrédients alimentaires nécessitent un retournement pendant la cuisson. Pour retourner, tenez la poignée et tirez le panier de l'appareil, puis tournez les ingrédients. Ensuite, faites glisser le panier dans l'unité. Lorsque vous retirez le panier de l'appareil, l'écran affiche 'Arrêt'.

AVIS : W Lors de la première utilisation, ajustez la température à 200 °C et laissez l'unité fonctionner pendant 30 minutes sans aliment à l'intérieur.

5. Lorsque la cuisson est terminée, l'unité émettra trois bips et 'Fin' apparaîtra sur l'écran. Le moteur cessera de fonctionner après 20 secondes. Lorsque l'unité s'arrête, 'On' apparaît sur l'écran.

6. Retirez les ingrédients en les basculant ou en utilisant des pinces/ustensiles. NE placez PAS le tiroir sur le dessus de l'unité.

CUISSON À L'IDENTIQUE

Pour cuisiner une plus grande quantité du même aliment ou des aliments différents en utilisant la même fonction, la même température et la même durée :

1. Placez les ingrédients dans les paniers, puis insérez les paniers dans l'unité.
2. Appuyez sur le bouton 'CUISSON À L'IDENTIQUE' et sélectionnez une fonction de cuisson souhaitée (Grillage à l'air n'est pas disponible avec cette fonction). Utilisez les flèches 'TEMP' pour régler la température. Utilisez les flèches 'MINUTERIE' pour régler la minuterie. Les deux écrans afficheront la même température simultanément.
3. Appuyez sur 'DÉMARRER/PAUSE' pour commencer la cuisson dans les deux zones.
REMARQUE : Certains ingrédients nécessitent d'être retournés pendant le processus de cuisson. Pour retourner les ingrédients, tenez la poignée et tirez le panier de l'appareil, puis tournez les ingrédients. Ensuite, faites glisser le panier dans l'unité. Lorsque vous retirez le panier, les deux écrans afficheront 'Stop'.
4. Lorsque la cuisson est terminée, l'unité émettra trois bips et 'Fin' apparaîtra sur l'écran. Le moteur cessera de fonctionner après 20 secondes et 'On' apparaîtra sur l'écran.
5. Retirez les ingrédients en les basculant ou en utilisant des pinces/ustensiles. NE placez PAS le tiroir sur le dessus de l'unité.

REMARQUE : Grillage à l'air ne peut pas être utilisé en mode 'Cuisson simultanée'.

Démarrer les deux zones simultanément, mais terminer à des moments différents :

1. Sélectionnez la zone 1, puis sélectionnez la fonction souhaitée. Utilisez les flèches TEMPÉRATURE pour régler la température. Utilisez les flèches MINUTERIE pour régler la minuterie.
2. Sélectionnez la zone 2, puis sélectionnez la fonction souhaitée. Utilisez les flèches TEMPÉRATURE pour régler la température. Utilisez les flèches MINUTERIE pour régler la minuterie. REMARQUE : Le Grillage à l'air n'est pas disponible dans la Zone 1.
3. Appuyez sur le bouton 'DÉMARRER/PAUSE' pour commencer la cuisson dans les deux zones.
4. Lorsque la cuisson est terminée dans une zone, l'unité émettra trois bips et 'Fin' apparaîtra sur l'écran. Le moteur cessera de fonctionner après 20 secondes et 'On' apparaîtra sur l'écran de la zone.
5. Retirez les ingrédients en les basculant ou en utilisant des pinces/ustensiles, puis attendez que les ingrédients dans l'autre panier terminent leur cuisson.

MISE EN PAUSE SIMULTANÉE DES DEUX ZONES

1. Pour mettre en pause la minuterie en mode 'Finition intelligente' ou pour mettre en pause les deux zones en mode de cuisson double, appuyez sur le bouton 'DÉMARRER/PAUSE'.
2. Pour reprendre la cuisson, appuyez à nouveau sur le bouton 'DÉMARRER/PAUSE'.

MISE EN PAUSE D'UNE SEULE ZONE PENDANT LA CUISSON EN DOUBLE ZONE

1. Pour mettre en pause la minuterie d'une seule zone pendant que les deux zones fonctionnent, sélectionnez la zone que vous souhaitez mettre en pause, puis appuyez sur le bouton 'DÉMARRER/PAUSE'. Pour mettre en pause une zone pendant que les deux zones fonctionnent, sélectionnez la zone que vous souhaitez mettre en pause, puis appuyez sur le bouton 'DÉMARRER/PAUSE'.
2. Pour reprendre la cuisson, appuyez à nouveau sur le bouton 'DÉMARRER/PAUSE'.

ANNULATION DE L'OPÉRATION

Dans n'importe quel mode, appuyez sur le bouton 'DÉMARRER/PAUSE', puis appuyez sur le bouton

d'alimentation pour annuler un programme. L'unité cessera de fonctionner et 'On' apparaîtra sur l'écran.

CUISSON DANS UNE SEULE ZONE

Pour mettre l'appareil en marche, branchez le cordon d'alimentation sur une prise murale, puis appuyez sur le bouton d'alimentation.

Grillage à l'air

REMARQUE : Grillage à l'air ne peut pas être utilisé dans les deux zones en même temps.

1. Placez le plat croustillant dans le panier, puis ajoutez les ingrédients dans le panier et placez le panier dans l'unité.
2. L'unité sera par défaut sur la Zone 1 (pour utiliser la Zone 2, sélectionnez la Zone 2). Sélectionnez 'Grillage à l'air'.
3. Utilisez les flèches TEMPÉRATURE pour régler la température souhaitée.
4. Utilisez les flèches MINUTERIE pour régler la minuterie jusqu'à 30 minutes (chaque pression ajoute/soustrait une minute).
5. Appuyez sur le bouton 'DÉMARRER/PAUSE' pour commencer la cuisson.
6. Lorsque la cuisson est terminée, l'unité émettra trois bips et 'Fin' apparaîtra sur l'écran. Le moteur cessera de fonctionner après 20 secondes. Lorsque l'unité s'arrête, 'On' apparaîtra sur l'écran. Retirez les ingrédients en les basculant ou en utilisant des pinces/ustensiles.

Friture à l'air

1. Placez le plat croustillant dans le panier, puis ajoutez les ingrédients dans le panier et placez le panier dans l'unité.
 2. L'unité sera par défaut sur la Zone 1 (pour utiliser la Zone 2, sélectionnez la Zone 2). Sélectionnez 'Friture à l'air'.
 3. Utilisez les flèches TEMPÉRATURE pour régler la température souhaitée.
 4. Utilisez les flèches MINUTERIE pour régler la minuterie jusqu'à 30 minutes (chaque pression ajoute/soustrait une minute).
 5. Appuyez sur le bouton 'DÉMARRER/PAUSE' pour commencer la cuisson.
- REMARQUE : Pendant la cuisson, vous pouvez retirer le panier et secouer ou retourner les ingrédients pour les rendre croustillants de manière uniforme. Pour retourner les ingrédients, tenez la poignée et tirez le panier de l'appareil, puis tournez les ingrédients. Ensuite, faites glisser le panier dans l'unité. Lorsque vous retirez le panier de l'appareil, l'écran affichera 'Stop'.
6. Lorsque la cuisson est terminée, l'unité émettra trois bips et 'Fin' apparaîtra sur l'écran. Le moteur cessera de fonctionner après 20 secondes. Lorsque l'unité s'arrête, 'On' apparaîtra sur l'écran. Retirez les ingrédients en les basculant ou en utilisant des pinces/ustensiles.

Rôtissage

1. Installez le plat croustillant dans le panier (facultatif), puis placez les ingrédients dans le panier et insérez-le dans l'unité.
2. L'unité sera par défaut sur la Zone 1 (pour utiliser la Zone 2, sélectionnez la Zone 2). Sélectionnez 'RÔTIR'.
3. Utilisez les flèches TEMPÉRATURE pour régler la température souhaitée.
4. Utilisez les flèches MINUTERIE pour régler la minuterie jusqu'à quatre heures (chaque pression ajoute/soustrait cinq minutes).
5. Appuyez sur le bouton 'DÉMARRER/PAUSE' pour commencer la cuisson.

6. Lorsque la cuisson est terminée, l'unité émettra trois bips et 'Fin' apparaîtra sur l'écran. Le moteur cessera de fonctionner après 20 secondes. Lorsque l'unité s'arrête, 'On' apparaîtra sur l'écran. Retirez les ingrédients en les basculant ou en utilisant des pinces/ustensiles.

Cuisson au four

1. Installez éventuellement le plat croustilleur dans le panier, puis placez les ingrédients dans le panier et insérez-le dans l'unité.

2. Par défaut, l'unité sera réglé sur la Zone 1 (pour utiliser la zone 2, sélectionnez la Zone 2). Sélectionnez 'CUISINE'.

NOTE : Pour convertir des recettes d'un four traditionnel, réduisez la température de 5°C.

3. Utilisez les flèches TEMPÉRATURE pour régler la température souhaitée.

4. Utilisez les flèches MINUTERIE pour régler la minuterie jusqu'à quatre heures (chaque pression ajoute/soustrait cinq minutes).

5. Appuyez sur le bouton 'DÉMARRER/PAUSE' pour commencer la cuisson.

6. Lorsque la cuisson est terminée, l'unité émettra trois bips et 'Fin' apparaîtra sur l'écran. Le moteur cessera de fonctionner après 20 secondes. Lorsque l'unité s'arrête, 'On' apparaîtra sur l'écran. Retirez les ingrédients en les basculant ou en utilisant des pinces/ustensiles.

Réchauffage

1. Installez éventuellement le plat croustilleur dans le panier, puis placez les ingrédients dans le panier et insérez-le dans l'unité.

2. Par défaut, l'unité sera sur la Zone 1 (pour utiliser la Zone 2, sélectionnez la Zone 2). Sélectionnez 'RÉCHAUFFER'.

3. Utilisez les flèches TEMPÉRATURE pour régler la température souhaitée.

4. Utilisez les flèches MINUTERIE pour régler la minuterie jusqu'à une heure (chaque pression ajoute/soustrait une minute).

5. Appuyez sur le bouton 'DÉMARRER/PAUSE' pour commencer le réchauffage.

6. Lorsque le réchauffage est terminé, l'unité émettra trois bips et 'Fin' apparaîtra sur l'écran. Le moteur cessera de fonctionner après 20 secondes. Lorsque l'unité s'arrête, 'On' apparaîtra sur l'écran. Retirez les ingrédients en les basculant ou en utilisant des pinces/ustensiles.

Maintien au chaud

1. Installez éventuellement le plat croustilleur dans le panier, puis placez les ingrédients dans le panier et insérez-le dans l'unité.

2. Par défaut, l'unité sera sur la Zone 1 (pour utiliser la Zone 2, sélectionnez la Zone 2). Sélectionnez 'MAINTENIR AU CHAUD'.

3. Utilisez les flèches TEMPÉRATURE pour régler la température souhaitée.

4. Utilisez les flèches MINUTERIE pour régler la minuterie jusqu'à huit heures (chaque pression ajoute/soustrait 15 minutes).

5. Appuyez sur le bouton 'DÉMARRER/PAUSE' pour commencer cette fonction.

6. Lorsque cette fonction est terminée, l'unité émettra trois bips et 'Fin' apparaîtra sur l'écran. Le moteur cessera de fonctionner après 20 secondes. Lorsque l'unité s'arrête, 'On' apparaîtra sur l'écran. Retirez les ingrédients en les faisant basculer ou en utilisant des pinces/ustensiles.

Frites

1. Installez éventuellement le plat croustilleur dans le panier, puis placez les ingrédients dans le panier et

insérez-le dans l'unité.

2. Par défaut, l'unité sera réglé sur la Zone 1 (pour utiliser la Zone 2, sélectionnez la Zone 2). Sélectionnez 'FRITES'.

3. Utilisez les flèches TEMPÉRATURE pour régler la température souhaitée.

4. Utilisez les flèches MINUTERIE pour régler la minuterie jusqu'à une heure (chaque pression ajoute/soustrait une minute).

5. Appuyez sur le bouton 'DÉMARRER/PAUSE' pour commencer la cuisson.

REMARQUE : Pendant la cuisson, vous pouvez retirer le panier et secouer ou retourner les ingrédients pour une cuisson uniforme. Pour retourner les ingrédients, saisissez la poignée et tirez le panier hors du produit, puis retournez les ingrédients. Ensuite, faites glisser le panier de nouveau dans l'unité. Lorsque vous retirez le panier du produit, l'écran affiche 'Stop'.

6. Lorsque la cuisson est terminée, l'unité émettra trois bips et 'Fin' apparaîtra sur l'écran. Le moteur cessera de fonctionner après 20 secondes. Lorsque l'unité s'arrête, 'On' apparaîtra sur l'écran. Retirez les ingrédients en les basculant ou en utilisant des pinces/ustensiles.

Bacon

1. Installez éventuellement la plaque du plat croustilleur dans le panier, puis placez les ingrédients dans le panier et insérez-le dans l'unité.

2. Par défaut, l'unité sera sur la Zone 1 (pour utiliser la Zone 2, sélectionnez la Zone 2). Sélectionnez 'BACON'.

3. Utilisez les flèches TEMPÉRATURE pour régler la température souhaitée.

4. Utilisez les flèches MINUTERIE pour régler la minuterie jusqu'à une heure (chaque pression ajoute/soustrait une minute).

5. Appuyez sur le bouton 'DÉMARRER/PAUSE' pour commencer la cuisson.

6. Lorsque la cuisson est terminée, l'unité émettra trois bips et 'Fin' apparaîtra sur l'écran. Le moteur cessera de fonctionner après 20 secondes. Lorsque l'unité s'arrête, 'On' apparaîtra sur l'écran. Retirez les ingrédients en les basculant ou en utilisant des pinces/ustensiles.

Ailes

1. Installez éventuellement le plat croustilleur dans le panier, puis placez les ingrédients dans le panier et insérez-le dans l'unité.

2. Par défaut, l'unité sera sur la Zone 1 (pour utiliser la Zone 2 à la place, sélectionnez la Zone 2). Sélectionnez 'AILES'.

3. Utilisez les flèches TEMPÉRATURE pour régler la température souhaitée.

4. Utilisez les flèches MINUTERIE pour régler la minuterie jusqu'à une heure (chaque pression ajoute/soustrait une minute).

5. Appuyez sur le bouton 'DÉMARRER/PAUSE' pour commencer la cuisson.

6. Lorsque la cuisson est terminée, l'unité émettra trois bips et 'Fin' apparaîtra sur l'écran. Le moteur cessera de fonctionner après 20 secondes. Lorsque l'unité s'arrête, 'On' apparaîtra sur l'écran. Retirez les ingrédients en les basculant ou en utilisant des pinces/ustensiles.

Déshydratation

1. Placez une couche unique d'ingrédients dans le panier. Ensuite, installez le plat croustilleur dans le panier par-dessus les ingrédients. Terminez en plaçant une autre couche d'ingrédients sur le plat croustilleur.

2. Par défaut, l'unité sera sur la Zone 1 (pour utiliser la Zone 2, sélectionnez la Zone 2). Sélectionnez

'DÉSHYDRATATION'.

La température par défaut s'affichera à l'écran.

3. Utilisez les flèches TEMPÉRATURE pour régler la température souhaitée.
4. Utilisez les flèches MINUTERIE pour régler une minuterie entre 1 et 12 heures (chaque pression ajoute/soustrait 15 minutes).
5. Appuyez sur le bouton 'DÉMARRER/PAUSE' pour commencer la déshydratation.
6. Lorsque la cuisson est terminée, l'unité émettra trois bips et 'Fin' apparaîtra sur l'écran. Le moteur cessera de fonctionner après 20 secondes. Lorsque l'unité s'arrête, 'On' apparaîtra sur l'écran. Retirez les ingrédients en les basculant ou en utilisant des pinces/ustensiles.

NETTOYAGE DE VOTRE FRITEUSE À AIR À DOUBLE PANIER

Nettoyez soigneusement l'appareil après chaque utilisation.

Une couche de peinture non collante recouvre l'intérieur des paniers, des plaques à croustiller et du produit. N'utilisez pas d'ustensiles de cuisine ou de produits de nettoyage abrasifs pour nettoyer l'appareil, car cela endommagerait le revêtement.

1. Débranchez l'appareil et laissez-le refroidir complètement. Retirez les paniers, ce qui permettra à l'appareil de refroidir plus rapidement.
2. Nettoyez les parties extérieures de l'appareil à l'aide d'un chiffon humide.
3. Nettoyez les paniers ou le fond des paniers avec de l'eau chaude, du détergent et une éponge non abrasive. Versez l'eau chaude et les détergents dans les paniers en même temps. Placez les bacs à légumes dans les paniers et laissez-les tremper pendant 10 minutes.
4. Nettoyez l'intérieur du produit avec de l'eau chaude et une éponge non abrasive.
5. Nettoyez les éléments chauffants à l'aide d'une brosse de nettoyage, en éliminant tout résidu alimentaire.
6. Nettoyez l'ouverture d'entrée et de sortie d'air à l'aide d'une brosse propre.

REMARQUE : si des résidus alimentaires sont collés sur les plaques ou les paniers du plat croustillant, placez-les dans un évier rempli d'eau chaude savonneuse et laissez-les tremper.

RANGEMENT DE VOTRE FRITEUSE DOUBLE PANIER

1. Assurez-vous que l'appareil refroidisse, puis nettoyez et séchez toutes les pièces avant de le ranger.
2. Ne rangez jamais la friteuse à double panier à chaud ou mouillée.
3. Placez les plaques croustillantes propres dans chaque panier de la friteuse, puis placez les paniers de la friteuse dans l'unité.
4. Rangez l'appareil dans sa boîte ou dans un endroit propre et sec.

CONSEILS UTILES

1. Pour une dorure uniforme, assurez-vous que les ingrédients sont disposés en une seule couche au fond du panier sans se chevaucher. Si les ingrédients se chevauchent, secouez-les à mi-cuisson.
2. La température et la minuterie peuvent être ajustés pendant la cuisson. Appuyez sur le bouton 'DÉMARRER/PAUSE', sélectionnez la zone que vous souhaitez ajuster, puis appuyez sur les flèches TEMPÉRATURE pour ajuster la température ou sur les flèches MINUTERIE pour ajuster la minuterie. Ensuite, appuyez de nouveau sur le bouton 'DÉMARRER/PAUSE'.
3. Pour convertir les recettes d'un four traditionnel, réduisez la température de 5°C. Vérifiez les aliments fréquemment pour éviter qu'ils ne cuisent trop.
4. De temps en temps, le ventilateur de la friteuse à air peut souffler des aliments légers. Pour éviter cela, fixez les aliments (comme la tranche supérieure de pain d'un sandwich) avec des cure-dents en bois.
5. Les plateaux croustillants élèvent les ingrédients dans les paniers, permettant à l'air de circuler sous et

autour des ingrédients pour des résultats croustillants et uniformes.

6. Après avoir sélectionné une fonction de cuisson, vous pouvez appuyer sur le bouton 'DÉMARRER/PAUSE' pour commencer la cuisson immédiatement. L'unité fonctionnera à la température et à la minuterie par défaut.

7. Pour de meilleurs résultats avec les légumes frais et les pommes de terre, utilisez au moins une cuillère à soupe d'huile. Ajoutez plus d'huile au besoin pour obtenir le niveau de croustillance souhaité.

8. Pour de meilleurs résultats, vérifiez la progression tout au long de la cuisson et retirez les aliments lorsqu'ils ont atteint le niveau de dorure désiré. Nous recommandons d'utiliser un thermomètre à lecture instantanée pour surveiller la température interne des aliments.

9. Pour de meilleurs résultats, retirez les aliments immédiatement après la fin du temps de cuisson pour éviter qu'ils ne cuisent trop.

PIÈCES DE RECHANGE

Pour commander des pièces et accessoires supplémentaires, vous pouvez contacter le fabricant ou le centre de service client.

FAQ

Comment ajuster la température ou la minuterie lors de l'utilisation d'une seule zone ?

Lorsqu'une seule zone est en cours d'utilisation, appuyez sur le bouton 'DÉMARRER/PAUSE', puis ajustez la minuterie ou la température en appuyant sur les flèches haut/bas.

Comment ajuster la température ou la minuterie lors de l'utilisation des deux zones ?

Appuyez sur le bouton 'DÉMARRER/PAUSE', sélectionnez la zone désirée, puis utilisez les flèches TEMPÉRATURE pour ajuster la température ou les flèches TIME pour ajuster la minuterie.

Puis-je cuisiner différents aliments dans chaque zone sans craindre la contamination croisée ?

Oui, les deux zones sont autonomes avec des éléments chauffants et des ventilateurs séparés.

Comment mettre en pause ou arrêter une zone lors de l'utilisation des deux zones ?

Sélectionnez la zone que vous souhaitez mettre en pause ou arrêter, puis appuyez sur le bouton DÉMARRER/PAUSE.

Les paniers sont-ils sûrs à poser sur mon comptoir ?

Les paniers se réchauffent pendant la cuisson. Manipulez-les avec précaution et placez-les uniquement sur des surfaces résistant à la chaleur. NE placez PAS les paniers sur le dessus de l'unité.

Quand dois-je utiliser la plaque croustillante ?

Utilisez la plaque croustillante lorsque vous souhaitez que les aliments soient croustillants. La plaque élève les aliments dans le panier, permettant à l'air de circuler autour, cuisinant les ingrédients uniformément.

Pourquoi mes aliments n'ont-ils pas cuit entièrement ?

Assurez-vous que le panier est entièrement inséré pendant la cuisson. Pour une dorure uniforme, assurez-vous que les ingrédients sont disposés en une seule couche sans se chevaucher. Secouez le panier pour mélanger les ingrédients pour une croustillance uniforme.

Pourquoi mes aliments sont-ils brûlés ?

Pour de meilleurs résultats, surveillez la progression tout au long de la cuisson et retirez les aliments lorsqu'ils ont atteint le niveau de brunissement désiré. Retirez les aliments immédiatement après la fin du temps de cuisson pour éviter qu'ils ne brûlent.

Pourquoi certains ingrédients sont-ils soufflés autour lors de la friture à l'air ?

De temps en temps, le ventilateur de la friteuse à air peut souffler des aliments légers. Utilisez des cure-dents en bois pour fixer les aliments légers en place (par exemple, la tranche supérieure du pain d'un sandwich).

Puis-je faire frire à l'air des ingrédients humides et panés ?

Oui, mais utilisez la technique de panure appropriée. Il est important de d'abord enrober les aliments de farine, puis d'œuf, puis de chapelure. Pressez fermement la panure sur les ingrédients panés, ainsi les miettes ne seront pas emportées à cause du ventilateur.

Pourquoi l'écran d'affichage est-il devenu noir ?

L'unité est en mode veille. Appuyez sur le bouton d'alimentation pour la rallumer.

Pourquoi l'unité émet-elle des bips ?

Les aliments ont terminé leur cuisson.

Pourquoi y a-t-il un message 'E' sur l'écran d'affichage ?

L'unité ne fonctionne pas correctement. Veuillez contacter le fabricant ou son agent de service.

Garantie et Services

Si vous avez besoin de services ou de réparations, ou si vous avez des doutes, vous pouvez contacter votre centre de service client local. S'il n'y a pas de centre de service client près de chez vous, vous pouvez contacter le fournisseur.

INHALT

Wichtige sicherheitsvorkehrungen	27
Teile	29
Ihr gerät verstehen	29
Vor der ersten verwendung	29
Funktionstasten	30
Bedienungstasten	31
Garvoreinstellungen	31
Garen in ihrer doppelkorb-heißluftfritteuse	32
Garen in einer einzigen zone	33
Luft-grillen	33
Heißluftfrittieren	34
Braten	34
Backen	34
Aufwärmen	34
Warmhalten	35
Pommes	35
Speck	35
Flügel	36
Dörren	36
Reinigung ihrer doppelkorb-heißluftfritteuse	36
Aufbewahrung ihrer doppelkorb- heißluftfritteuse	37
Hilfreiche tipps	37
Austauschteile	37
Anleitung zur fehlersuche	38
Garantie und serviceleistungen	39

WICHTIGE SICHERHEITSVORKEHRUNGEN

NUR FÜR DIE VERWENDUNG IM HAUSHALT. LESEN SIE ALLE ANWEISUNGEN DURCH.

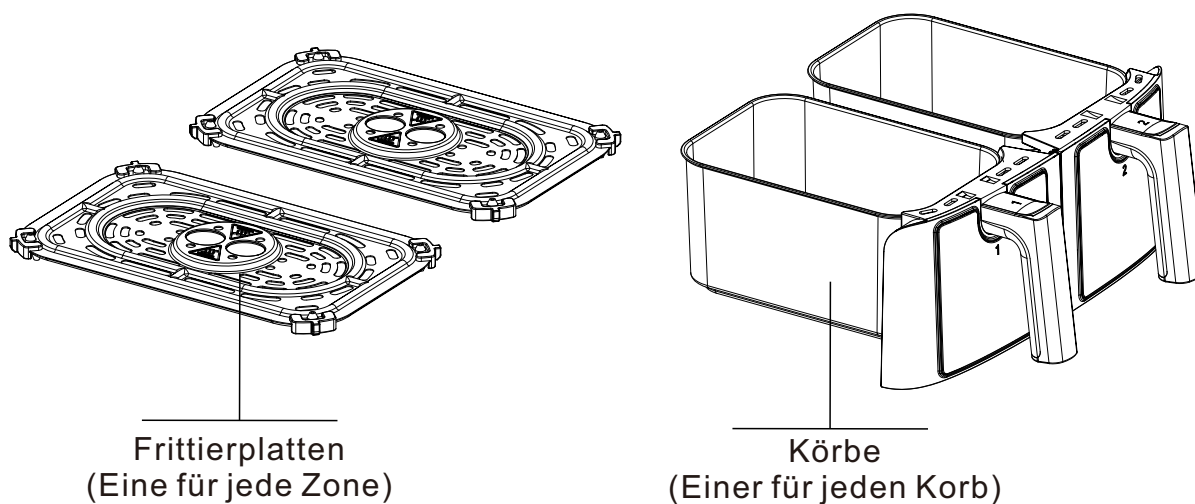
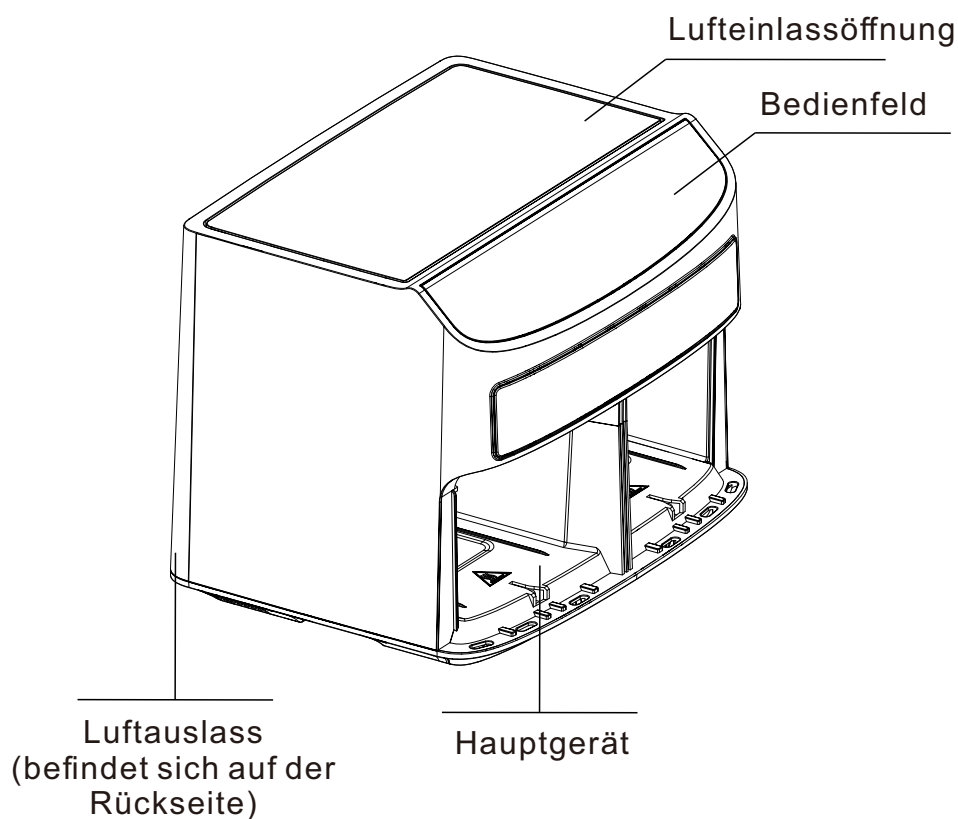
Beachten Sie bei der Verwendung von Elektrogeräten immer die grundlegenden Sicherheitsmaßnahmen, einschließlich der folgenden:

WARNUNG

1. Dieses Gerät kann von Personen mit eingeschränkten körperlichen, sensorischen oder geistigen Fähigkeiten oder mangelnder Erfahrung verwendet werden, wenn sie in die Verwendung des Geräts eingewiesen wurden. Sie müssen die damit verbundenen Gefahren verstehen.
2. Bewahren Sie das Gerät und sein Kabel außerhalb der Reichweite von Kindern auf. Kinder DÜRFEN dieses Gerät NICHT verwenden. Beaufsichtigen Sie Kinder genau, wenn sie sich in der Nähe dieses Geräts aufhalten.
3. Kinder dürfen nicht mit diesem Gerät spielen.
4. Verwenden Sie NIEMALS eine Steckdose unterhalb der Theke.
5. Schließen Sie dieses Gerät NIEMALS an eine externe Zeitschaltuhr oder ein separates Fernbedienungssystem an.
6. Achten Sie bei der Verwendung dieses Geräts darauf, dass oberhalb und an allen Seiten des Geräts mindestens Sechs Zoll Platz ist, damit die Luft gut zirkulieren kann.
7. Um das Risiko eines Stromschlags zu vermeiden, tauchen Sie das Kabel, den Stecker oder das Gerät NICHT in Wasser oder andere Flüssigkeiten. Verwenden Sie zum Garen nur den angegebenen Korb.
8. Überprüfen Sie das Gerät und das Stromkabel regelmäßig. Verwenden Sie das Gerät NICHT mit einem beschädigten Stromkabel oder Stecker. Wenn das Gerät nicht richtig funktioniert oder in irgendeiner Weise beschädigt wurde, stellen Sie die Verwendung sofort ein und wenden Sie sich an den Kundendienst.
9. Verwenden Sie kein Verlängerungskabel. Es wird ein kurzes Kabel verwendet, damit Kinder es nicht greifen oder sich darin verheddern können. Außerdem wird so die Gefahr verringert, dass Personen über das Kabel stolpern.
10. Vergewissern Sie sich vor der Verwendung, dass das Gerät richtig zusammengebaut ist.
11. Decken Sie während des Betriebs des Geräts NICHT die Lufterlassöffnung oder den Luftauslass ab. Dies könnte dazu führen, dass die Lebensmittel nicht gar werden, das Gerät überhitzt oder beschädigt wird.
12. Reinigen und trocknen Sie den Korb und das Gerät mit einem weichen Tuch, bevor Sie den Korb in das Hauptgerät einsetzen.
13. Dieses Gerät ist nur für die Verwendung im Haushalt bestimmt. Verwenden Sie dieses Gerät NICHT für einen anderen als den vorgesehenen Zweck. Verwenden Sie es NICHT in fahrenden Fahrzeugen oder Booten. Verwenden Sie das Gerät nicht im Freien. Falsche Verwendung kann zu Verletzungen oder Schäden führen.
14. Stellen Sie das Gerät auf eine stabile, ebene und trockene Oberfläche. Bewegen Sie das Gerät nicht, wenn es unter Verwendung ist.
15. Stellen Sie das Gerät während der Verwendung NICHT auf die Kante einer Arbeitsplatte.
16. Verwenden Sie KEINE Zubehörteile, die nicht vom Hersteller empfohlen oder verkauft werden. Stellen Sie das Zubehör NICHT in eine Mikrowelle, in einen Ofen oder auf ein Cerankochfeld, einen Elektroherd, einen Gasherd oder einen Außengrill. Zubehörteile, die nicht vom Hersteller empfohlen werden, können einen Brand, einen Stromschlag und Verletzungen von Personen verursachen.
17. Vergewissern Sie sich IMMER, dass der Korb vor dem Betrieb richtig geschlossen ist.

18. Verwenden Sie das Gerät NICHT, wenn der Korb nicht installiert ist.
19. Verwenden Sie dieses Gerät NICHT zum Frittieren.
20. Halten Sie das Gerät von heißen Oberflächen, heißen Gasen, Elektrobrennern und beheizten Öfen fern.
21. Achten Sie darauf, dass die Lebensmittel nicht mit den Heizelementen in Berührung kommen. Überfüllen Sie das Gerät beim Garen NICHT. Eine Überfüllung kann zu Sach- oder Personenschäden führen.
22. Stellen Sie NIEMALS Elemente auf das Gerät.
23. Die Spannungen der Steckdosen können variieren und die Leistung Ihres Geräts beeinträchtigen. Um Krankheiten vorzubeugen, verwenden Sie ein Thermometer, um sicherzustellen, dass Ihre Speisen bei der empfohlenen Temperatur gegart werden.
24. Sollte das Gerät schwarzen Rauch ausstoßen, ziehen Sie sofort den Netzstecker. Warten Sie, bis der Rauch aufhört, bevor Sie das Garzubehör entfernen.
25. Die Oberfläche des Geräts ist mit rostfreiem Stahl abgedeckt. Berühren Sie die Oberfläche während der Verwendung NICHT.
26. Berühren Sie keine heißen Oberflächen. Die Oberflächen des Geräts sind während und nach der Verwendung heiß. Zur Vermeidung von Verbrennungen oder Verletzungen, verwenden Sie immer Topflappen oder isolierte Ofenhandschuhe. Verwenden Sie immer die verfügbaren Griffe.
27. Seien Sie äußerst vorsichtig, wenn das Gerät heiße Lebensmittel enthält. Eine unsachgemäße Verwendung kann zu Verletzungen führen.
28. Schließen Sie das Gerät an eine geerdete Steckdose an und vergewissern Sie sich, dass diese korrekt eingesteckt ist.
29. Verschüttete Lebensmittel können schwere Verbrennungen verursachen. Halten Sie das Gerät und das Kabel von Kindern fern. Lassen Sie das Kabel NICHT über die Tischkanten hängen und berühren Sie keine heißen Oberflächen.
30. Während des Garvorgangs werden der Korb und die Frittierplatte extrem heiß. Vermeiden Sie Körperkontakt, wenn Sie den Korb und die Platte aus dem Gerät nehmen. Stellen Sie den Korb oder die Platte nach dem Herausnehmen auf eine hitzebeständige Oberfläche. Berühren Sie das Zubehör NICHT während oder unmittelbar nach dem Garen.
31. Kinder dürfen dieses Gerät nicht reinigen oder Wartungsarbeiten daran durchführen.
32. Um das Gerät vom Stromnetz zu trennen, drücken Sie die Ein-/Aus-Taste, um das Gerät auszuschalten, und ziehen Sie dann den Stecker aus der Steckdose. Lassen Sie das Gerät vor der Reinigung oder Demontage vollständig abkühlen.
33. Nicht mit Scheuerschwämmen aus Metall reinigen. Teile können von der Unterlage abbrechen und elektrische Teile berühren - dies kann zu einem Stromschlag führen.
34. Bei der ersten Verwendung kann das Gerät Rauch abgeben. Das ist normal - der Rauch wird innerhalb weniger Minuten verschwinden.
35. Informationen zur Wartung Ihres Geräts finden Sie im Abschnitt 'Reinigung und Wartung'.

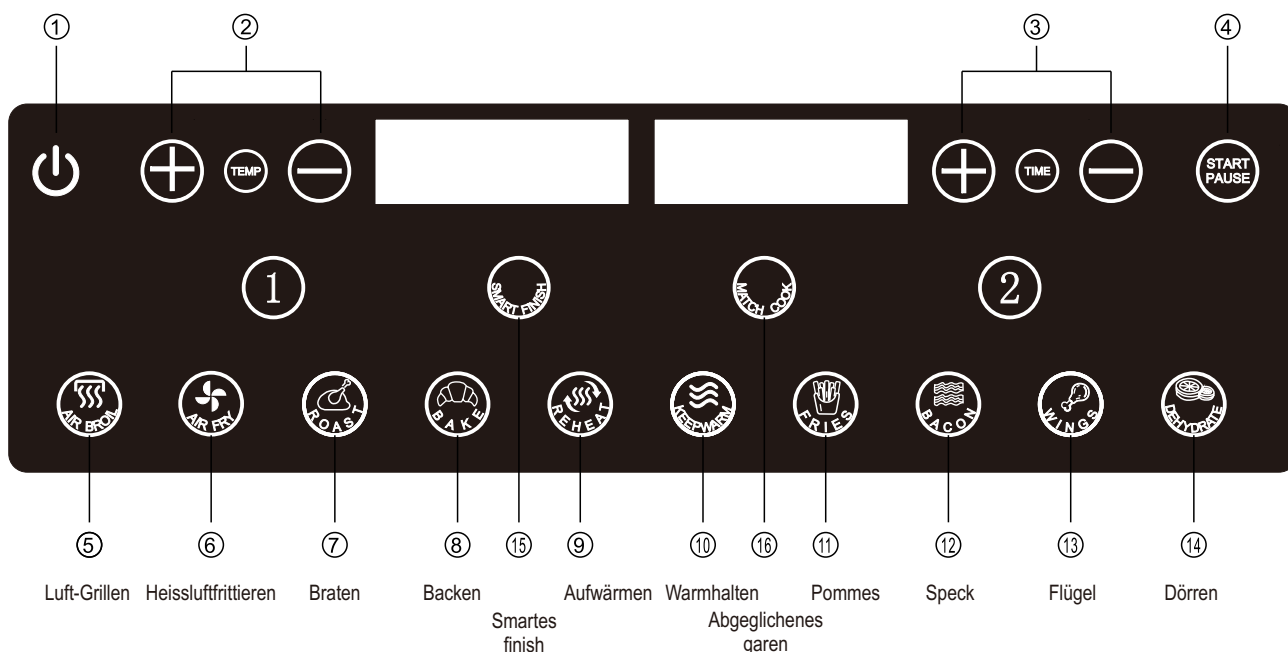
TEILE



IHR GERÄT VERSTEHEN VOR DER ERSTEN VERWENDUNG

1. Entfernen Sie jegliches Verpackungsmaterial, Werbeetiketten und Klebeband von dem Gerät und entsorgen Sie es.
2. Nehmen Sie alle Zubehöerteile aus der Verpackung und lesen Sie dieses Handbuch sorgfältig durch. Achten Sie besonders auf die Bedienungsanweisungen, 'Warnhinweise' und 'wichtige Sicherheitsvorkehrungen', um Verletzungen oder Sachschäden zu vermeiden.
3. Waschen Sie die Körbe und Gitterroste in heißem Seifenwasser, spülen Sie sie dann ab und trocknen Sie sie gründlich.
4. Reinigen Sie das Gerät innen und außen mit einem feuchten Tuch und trocknen Sie es anschließend gründlich ab.
5. Dieses Gerät verwendet die Technologie der Lufthertzung. Füllen Sie niemals Öl oder Fett in die Fritteuse.

FUNKTIONSTASTEN



1. Ein-/Aus-Taste: Drücken Sie diese Taste, um das Gerät ein- und auszuschalten. Wenn das Gerät eingesteckt ist, leuchtet die Ein-/Aus-Taste auf. Wenn Sie die Taste einmal drücken, leuchtet das gesamte Modul auf - auf dem digitalen Display erscheint 'Ein'. Wenn Sie die Ein-/Aus-Taste drei Sekunden lang gedrückt halten, schaltet sich das Gerät aus.
2. Tasten für die Temperaturregelung: Ermöglicht es Ihnen, die Gartemperatur um 5 °C zu erhöhen oder zu senken.
3. Tasten für die Zeitsteuerung: Hiermit können Sie die Garzeit auf die Minute genau einstellen.
4. Start/Pause: Nach der Auswahl von Temperatur und Zeit drücken Sie diese Taste, um das Garen zu starten. Um das Garen zu unterbrechen, wählen Sie zunächst die Zone, die Sie unterbrechen möchten, und drücken dann die Taste 'Start/Pause'.
5. Luft-Grillen: Geben Sie Mahlzeiten den knusprigen letzten Pfiff oder lassen Sie Toppings schmelzen
6. Frittieren: Verwenden Sie diese Funktion, um Ihre Speisen besonders knusprig zu machen - mit wenig bis gar keinem Öl.
7. Braten: Verwenden Sie diese Funktion für zartes Fleisch und mehr.
8. Backen: Bereiten Sie gebackene Leckereien und Desserts zu.
9. Aufwärmen: Wärmen Sie Ihre Reste auf und erreichen Sie ein knuspriges Ergebnis.
10. Warmhalten: Verwenden Sie diese Funktion, um Ihre Speisen nach dem Garen warm zu halten.
11. Pommes: Verwenden Sie diese Funktion, um Pommes zuzubereiten.
12. Speck: Verwenden Sie diese Funktion, um Speck zu braten.
13. Hähnchenflügel: Verwenden Sie diese Funktion, um Hähnchenflügel zu braten.
14. Dörren: Verwenden Sie diese Funktion, um Fleisch, Obst und Gemüse zu dörren und so einen gesunden Snack vorzubereiten.
15. Smartes Finish: Synchronisiert automatisch die Garzeiten beider Zonen und sorgt dafür, dass sie zur gleichen Zeit fertig werden, auch wenn sie unterschiedliche Garzeiten haben.
16. Abgeglichenes Garen: Die Einstellungen von 'Zone 2' werden mit denen von 'Zone 1' abgeglichen, so dass Sie eine größere Menge desselben Lebensmittels garen oder verschiedene Lebensmittel mit derselben Funktion, Temperatur und Zeit zubereiten können.

Hinweis:

Standby-Modus: Wenn Sie fünf Minuten lang nicht auf das Modul drücken, schaltet das Gerät in den Standby-Modus - nur die Ein-/Aus-Taste leuchtet.

BEDIENUNGSTASTEN

- 1) Steuert den Ausgang für den Korb auf der linken Seite.
- 2) Steuert den Ausgang für den Korb auf der rechten Seite.

TEMP-Pfeile: Verwenden Sie vor oder während des Garens die Pfeile nach oben und unten, um die Gartemperatur einzustellen. **TIMER-Pfeile:** Verwenden Sie vor oder während des Garens die Auf- und Abwärtspfeile, um die Garzeit in jeder Funktion einzustellen.

GARVOREINSTELLUNGEN**Gartabelle mit Voreinstelltaste**

Menü	Standard TEMP	Standard ZEIT (Ein Korb / Zwei Körbe)	TEMP-Bereich	ZEIT-Bereich
LUFT-GRILLEN	230 °C	10Minuten	205-230°C	1 - 30 Minuten
HEISSLUFTFRITTIEREN	200 °C	20Minuten	150-205°C	1 - 60 Minuten
BRATEN	190 °C	15Minuten	120-205°C	1 Minute - 4 Stunden (5 Minuten)
BACKEN	105 °C	15Minuten	105-205°C	1 Minute - 4 Stunden (5 Minuten)
AUFWÄRMEN	175 °C	15Minuten	130-200°C	1 - 60 Minuten
WARMHALTEN	95 °C	30Minuten	65-95°C	30Minuten - 8 Stunden (15 Minuten)
POMMES	205 °C	15Minuten	75-205°C	1 - 60 Minuten
SPECK	190 °C	6Minuten	75-205°C	1 - 60 Minuten
FLÜGEL	205 °C	25Minuten	75-205°C	1 - 60 Minuten
DÖRREN	65 °C	6Stunden	40-90°C	1 - 12 Stunden (15 Minuten)

* **HINWEIS:** Das Luft-Grillen kann nicht in beiden Zonen gleichzeitig verwendet werden.

HINWEIS: Die Standardeinstellungen dienen nur als Referenz. Die Lebensmittel unterscheiden sich in Bezug auf Herkunft, Größe, Form und Marke. Wir können nicht garantieren, dass dies die besten Einstellungen für Ihre Zutaten sind. Die Technologie des schnellen Luftwechsels sorgt für eine sofortige erneute Erwärmung im Inneren des Geräts - wenn Sie den Korb während des Betriebs aus dem Gerät ziehen, wird der Garvorgang kaum beeinträchtigt.

HINWEIS: Wenn die Doppelkorb-Heißluftfritteuse mit einem kalten Start beginnt, sollte die Garzeit drei Minuten länger sein.

GAREN IN IHRER DOPPELKORB-HEIßLUFTFRITTEUSE

SMARTES FINISH

Wenn Lebensmittel unterschiedliche Garzeiten, Temperaturen oder Funktionen haben, können Sie sie zur gleichen Zeit fertigstellen lassen. Folgen Sie diesen Schritten:

1. Geben Sie die Zutaten in die Körbe und stellen Sie dann die Körbe in das Gerät.
2. Drücken Sie 'SMARTES FINISH' - Zone 1 bleibt beleuchtet. Wählen Sie die gewünschte Garfunktion. Verwenden Sie die TEMP-Pfeile zum Einstellen der Temperatur und die ZEIT-Pfeile zum Einstellen der Zeit.
3. Wählen Sie Zone 2 und dann die gewünschte Garfunktion (LUFT-GRILLEN ist für Zone 2 nicht verfügbar). Verwenden Sie die TEMP-Pfeile zum Einstellen der Temperatur und die ZEIT-Pfeile zum Einstellen der Zeit.

HINWEIS: Luft-Grillen kann nur in Zone 1 verwendet werden.

HINWEIS: Sie können für Zone 2 eine andere Funktion wählen.

4. Drücken Sie dann die Taste START/PAUSE, um mit dem Garen in der Zone mit der längsten Zeit zu beginnen. Auf dem Display der anderen Zone wird 'HALTEN' angezeigt. Das Gerät aktiviert die zweite Zone, wenn beide Zonen die gleiche Restzeit haben.

HINWEIS: Einige Lebensmittel müssen beim Garen umgedreht werden. Um sie zu wenden, halten Sie den Griff fest und ziehen Sie den Korb aus dem Gerät heraus, dann wenden Sie die Zutaten. Danach schieben Sie den Korb wieder in das Gerät. Wenn Sie den Korb aus dem Gerät ziehen, erscheint auf dem Display 'Stop'.

HINWEIS: Wenn Sie das Gerät zum ersten Mal verwenden, stellen Sie die Temperatur auf 200 °C ein und lassen Sie das Gerät 30 Minuten lang ohne Lebensmittel im Inneren laufen.

5. Wenn das Garen beendet ist, piept das Gerät dreimal und auf dem Display erscheint 'Ende'. Der Motor hört nach 20 Sekunden auf zu arbeiten. Wenn das Gerät stoppt, erscheint 'Ein' auf dem Display.
6. Entfernen Sie die Zutaten, indem Sie sie herauskippen oder eine Zange/ein Utensil verwenden. Stellen Sie die Schublade NICHT oben auf das Gerät.

ABGEGLICHENES GAREN

Zum Garen einer größeren Menge desselben Lebensmittels oder zum Garen verschiedener Lebensmittel mit der gleichen Funktion, Temperatur und Zeit:

1. Geben Sie die Zutaten in die Körbe und setzen Sie die Körbe dann in das Gerät ein.
2. Drücken Sie die Taste 'ABGEGLICHENES GAREN' und wählen Sie die gewünschte Garfunktion (Luft-Grillen ist mit dieser Funktion nicht verfügbar). Verwenden Sie die 'TEMP'-Pfeile, um die Temperatur einzustellen. Verwenden Sie die 'ZEIT'-Pfeile, um die Zeit einzustellen. Auf den beiden Displays wird gleichzeitig die gleiche Temperatur angezeigt.

3. Drücken Sie 'START/PAUSE', um das Garen in beiden Zonen zu starten.

HINWEIS: Einige Zutaten müssen während des Garvorgangs umgedreht werden. Um die Zutaten umzudrehen, halten Sie den Griff fest und ziehen Sie den Korb aus dem Gerät, dann drehen Sie die Zutaten um. Danach schieben Sie den Korb wieder in das Gerät. Wenn Sie den Korb herausnehmen, erscheint auf den beiden Displays 'Stop'.

4. Wenn das Garen beendet ist, piept das Gerät dreimal und auf dem Display erscheint 'Ende'. Der Motor hört nach 20 Sekunden auf zu arbeiten. Wenn das Gerät stoppt, erscheint auf dem Display 'Ein'.
5. Entfernen Sie die Zutaten, indem Sie sie herauskippen oder eine Zange/ein Utensil verwenden. Stellen Sie die Schublade NICHT oben auf das Gerät.

HINWEIS: Luft-Grillen kann nicht im Modus 'Abgeglichenes Garen' verwendet werden.

Beide Zonen gleichzeitig starten, aber zu unterschiedlichen Zeiten beenden:

1. Wählen Sie Zone 1 und dann die gewünschte Funktion. Verwenden Sie die TEMP-Pfeile, um die Temperatur einzustellen. Verwenden Sie die ZEIT-Pfeile, um die Zeit einzustellen.
2. Wählen Sie Zone 2 und dann die gewünschte Funktion. Verwenden Sie die TEMP-Pfeile, um die Temperatur einzustellen. Verwenden Sie die ZEIT-Pfeile, um die Zeit einzustellen. Hinweis: Luft-Grillen ist in Zone 1 nicht verfügbar.
3. Drücken Sie die Taste 'START/PAUSE', um das Garen in beiden Zonen zu starten.
4. Wenn das Garen in einer Zone beendet ist, ertönt ein dreimaliger Signalton und auf dem Display erscheint 'Ende'. Der Motor hört nach 20 Sekunden auf zu arbeiten und auf dem Display der Zone erscheint 'Ein'.
5. Entnehmen Sie die Zutaten, indem Sie sie herauskippen oder eine Zange/ein Utensil verwenden, und warten Sie dann, bis die Zutaten im anderen Korb fertig gegart sind.

PAUSIEREN BEIDER ZONEN ZUR GLEICHEN ZEIT

1. Um die Zeit im 'SMARTES FINISH'-Modus anzuhalten oder um beide Zonen beim dualen Garen anzuhalten, drücken Sie die Taste 'START/PAUSE'.
2. Um das Garen fortzusetzen, drücken Sie erneut die Taste 'START/PAUSE'.


PAUSIEREN EINER EINZELNEN ZONE WÄHREND DES GARENS MIT ZWEI ZONEN

1. Um die Zeit in einer einzelnen Zone zu pausieren, während beide Zonen arbeiten, wählen Sie die Zone, die Sie pausieren möchten, und drücken Sie dann die Taste 'START/PAUSE'. Um eine Zone zu pausieren, während beide Zonen arbeiten, wählen Sie die Zone aus, die Sie pausieren möchten, und drücken Sie dann die Taste 'START/PAUSE'.
2. Um das Garen fortzusetzen, drücken Sie erneut die Taste 'START/PAUSE'.

BETRIEB ABBRECHEN

Drücken Sie in einem beliebigen Modus die Taste 'START/PAUSE' und dann die Ein-/Aus-Taste, um ein Programm abubrechen. Das Gerät hört auf zu arbeiten und auf dem Display erscheint 'Ein'.

GAREN IN EINER EINZIGEN ZONE

Um das Gerät einzuschalten, stecken Sie das Stromkabel in die Steckdose und drücken Sie dann die Taste .

Luft-Grillen

Hinweis: Luft-Grillen kann nicht in beiden Zonen gleichzeitig verwendet werden.

1. Legen Sie die Frittierplatte in den Korb, geben Sie dann die Zutaten in den Korb und stellen Sie den Korb in das Gerät.
2. Das Gerät ist standardmäßig auf Zone 1 eingestellt (um Zone 2 zu verwenden, wählen Sie Zone 2). Wählen Sie 'Luft-Grillen'.
3. Verwenden Sie die TEMP-Pfeile, um die gewünschte Temperatur einzustellen.
4. Verwenden Sie die ZEIT-Pfeile, um die Zeit bis zu 30 Minuten einzustellen (mit jedem Drücken wird eine Minute hinzugefügt/abgezogen).
5. Drücken Sie die Taste 'START/PAUSE', um das Garen zu starten.
6. Wenn das Garen beendet ist, ertönt ein dreimaliger Signalton und auf dem Display erscheint 'Ende'. Der Motor hört nach 20 Sekunden auf zu arbeiten. Wenn das Gerät stoppt, erscheint auf dem Display 'Ein'. Entfernen Sie die Zutaten, indem Sie sie herauskippen oder eine Zange/ein Utensil verwenden.

Heissluftfrittieren

1. Legen Sie die Frittierplatte in den Korb, geben Sie dann die Zutaten in den Korb und stellen Sie den Korb in das Gerät.
2. Das Gerät ist standardmäßig auf Zone 1 eingestellt (um Zone 2 zu verwenden, wählen Sie Zone 2). Wählen Sie 'Frittieren'.
3. Verwenden Sie die TEMP-Pfeile, um die gewünschte Temperatur einzustellen.
4. Verwenden Sie die ZEIT-Pfeile, um die Zeit bis zu 30 Minuten einzustellen (mit jedem Drücken wird eine Minute hinzugefügt/abgezogen).
5. Drücken Sie die Taste 'START/PAUSE', um das Garen zu starten.

HINWEIS: Während des Garens können Sie den Korb herausnehmen und die Zutaten schütteln oder umdrehen, damit sie gleichmäßig knusprig werden. Um die Zutaten zu wenden, halten Sie den Griff fest und ziehen Sie den Korb aus dem Gerät heraus, dann wenden Sie die Zutaten. Danach schieben Sie den Korb wieder in das Gerät. Wenn Sie den Korb aus dem Gerät ziehen, erscheint auf dem Display 'Stop'.

6. Wenn das Garen beendet ist, ertönt ein dreimaliger Signalton und auf dem Display erscheint 'Ende'. Der Motor hört nach 20 Sekunden auf zu arbeiten. Wenn das Gerät stoppt, erscheint auf dem Display 'Ein'. Entfernen Sie die Zutaten, indem Sie sie herauskippen oder eine Zange/ein Utensil verwenden.

Braten

1. Setzen Sie die Frittierplatte in den Korb ein (optional), legen Sie dann die Zutaten in den Korb und setzen Sie ihn wieder in das Gerät ein.
2. Das Gerät ist standardmäßig auf Zone 1 eingestellt (um Zone 2 zu verwenden, wählen Sie Zone 2). Wählen Sie 'BRATEN'.
3. Verwenden Sie die TEMP-Pfeile, um die gewünschte Temperatur einzustellen.
4. Verwenden Sie die ZEIT-Pfeile, um die Zeit bis zu vier Stunden einzustellen (bei jedem Drücken werden fünf Minuten hinzugefügt/abgezogen).
5. Drücken Sie die Taste 'START/PAUSE', um das Garen zu starten.
6. Wenn das Garen beendet ist, ertönt ein dreimaliger Signalton und auf dem Display erscheint 'Ende'. Der Motor hört nach 20 Sekunden auf zu arbeiten. Wenn das Gerät stoppt, erscheint auf dem Display 'Ein'. Entfernen Sie die Zutaten, indem Sie sie herauskippen oder eine Zange/ein Utensil verwenden.

Backen

1. Setzen Sie die Frittierplatte in den Korb ein (optional), legen Sie dann die Zutaten in den Korb und setzen Sie ihn wieder in das Gerät ein.
2. Das Gerät ist standardmäßig auf Zone 1 eingestellt (um Zone 2 zu verwenden, wählen Sie Zone 2). Wählen Sie 'BACKEN'.

HINWEIS: Um Rezepte aus einem herkömmlichen Backofen umzustellen, reduzieren Sie die Temperatur um 5 °C.

3. Verwenden Sie die TEMP-Pfeile, um die gewünschte Temperatur einzustellen.
4. Verwenden Sie die ZEIT-Pfeile, um den Timer auf bis zu vier Stunden einzustellen (bei jedem Drücken werden fünf Minuten hinzugefügt/abgezogen).
5. Drücken Sie die Taste 'START/PAUSE', um das Garen zu starten.
6. Nach dem Ende des Backvorgangs ertönt ein dreimaliger Signalton und auf dem Display erscheint 'Ende'. Der Motor hört nach 20 Sekunden auf zu arbeiten. Wenn das Gerät stoppt, erscheint auf dem Display 'Ein'. Entfernen Sie die Zutaten, indem Sie sie herauskippen oder eine Zange/ein Utensil verwenden.

Aufwärmen

1. Setzen Sie die Frittierplatte in den Korb ein (optional), legen Sie dann die Zutaten in den Korb und setzen Sie ihn wieder in das Gerät ein.

2. Das Gerät stellt sich standardmäßig auf Zone 1 ein (wenn Sie stattdessen Zone 2 verwenden möchten, wählen Sie Zone 2). Wählen Sie 'AUFWÄRMEN'.
3. Verwenden Sie die TEMP-Pfeile, um die gewünschte Temperatur einzustellen.
4. Verwenden Sie die ZEIT-Pfeile, um den Timer auf bis zu eine Stunde einzustellen (bei jedem Drücken wird eine Minute hinzugefügt/abgezogen).
5. Drücken Sie die Taste START/PAUSE, um mit dem Aufwärmen zu beginnen.
6. Wenn das Aufwärmen beendet ist, ertönt ein dreimaliger Signalton und auf dem Display erscheint 'Ende'. Der Motor hört nach 20 Sekunden auf zu arbeiten. Wenn das Gerät stoppt, erscheint auf dem Display 'Ein'. Entfernen Sie die Zutaten, indem Sie sie herauskippen oder eine Zange/ein Utensil verwenden.

Warmhalten

1. Setzen Sie die Frittierplatte in den Korb ein (optional), legen Sie dann die Zutaten in den Korb und setzen Sie ihn wieder in das Gerät ein.
 2. Das Gerät ist standardmäßig auf Zone 1 eingestellt (um Zone 2 zu verwenden, wählen Sie Zone 2). Wählen Sie 'WARMHALTEN'.
 3. Verwenden Sie die TEMP-Pfeile, um die gewünschte Temperatur einzustellen.
 8. Verwenden Sie die ZEIT-Pfeile, um den Timer auf bis zu acht Stunden einzustellen (bei jedem Drücken werden 15 Minuten hinzugefügt/abgezogen).
 5. Drücken Sie die Taste 'START/PAUSE', um diese Funktion zu starten.
 6. Wenn diese Funktion beendet ist, ertönt ein dreimaliger Signalton und auf dem Display erscheint 'Ende'.
- Der Motor hört nach 20 Sekunden auf zu arbeiten. Wenn das Gerät stoppt, erscheint auf dem Display 'Ein'. Entfernen Sie die Zutaten, indem Sie sie herauskippen oder eine Zange/ein Utensil verwenden.

Pommes

1. Setzen Sie die Frittierplatte in den Korb ein, geben Sie die Zutaten in den Korb und setzen Sie ihn wieder in das Gerät ein.
 2. Das Gerät ist standardmäßig auf Zone 1 eingestellt (um Zone 2 zu verwenden, wählen Sie Zone 2). Wählen Sie 'POMMES'.
 3. Verwenden Sie die TEMP-Pfeile, um die gewünschte Temperatur einzustellen.
 4. Verwenden Sie die ZEIT-Pfeile, um den Timer auf bis zu eine Stunde einzustellen (bei jedem Drücken wird eine Minute hinzugefügt/abgezogen).
 5. Drücken Sie die Taste 'START/PAUSE', um das Garen zu starten.
- HINWEIS:** Während des Garens können Sie den Korb herausnehmen und die Zutaten schütteln oder umdrehen, damit sie gleichmäßig knusprig werden. Um die Zutaten zu wenden, halten Sie den Griff fest und ziehen Sie den Korb aus dem Gerät heraus, dann wenden Sie die Zutaten. Danach schieben Sie den Korb wieder in das Gerät. Wenn Sie den Korb aus dem Gerät ziehen, erscheint auf dem Display 'Stop'.
6. Wenn das Garen beendet ist, ertönt ein dreimaliger Signalton und auf dem Display erscheint 'Ende'. Der Motor hört nach 20 Sekunden auf zu arbeiten. Wenn das Gerät stoppt, erscheint auf dem Display 'Ein'. Entfernen Sie die Zutaten, indem Sie sie herauskippen oder eine Zange/ein Utensil verwenden.

Speck

1. Setzen Sie die Frittierplatte in den Korb ein, geben Sie die Zutaten in den Korb und setzen Sie ihn wieder in das Gerät ein.
2. Das Gerät ist standardmäßig auf Zone 1 eingestellt (um Zone 2 zu verwenden, wählen Sie Zone 2). Wählen Sie 'SPECK'.
3. Verwenden Sie die TEMP-Pfeile, um die gewünschte Temperatur einzustellen.

4. Verwenden Sie die ZEIT-Pfeile, um den Timer auf bis zu eine Stunde einzustellen (bei jedem Drücken wird eine Minute hinzugefügt/abgezogen).
5. Drücken Sie die Taste 'START/PAUSE', um das Garen zu starten.
6. Wenn das Garen beendet ist, ertönt ein dreimaliger Signalton und auf dem Display erscheint 'Ende'. Der Motor hört nach 20 Sekunden auf zu arbeiten. Wenn das Gerät stoppt, erscheint auf dem Display 'Ein'. Entfernen Sie die Zutaten, indem Sie sie herauskippen oder eine Zange/ein Utensil verwenden.

Flügel

1. Setzen Sie die Frittierplatte in den Korb ein, geben Sie die Zutaten in den Korb und setzen Sie ihn wieder in das Gerät ein.
2. Das Gerät stellt sich standardmäßig auf Zone 1 ein (wenn Sie stattdessen Zone 2 verwenden möchten, wählen Sie Zone 2). Wählen Sie 'FLÜGEL'.
3. Verwenden Sie die TEMP-Pfeile, um die gewünschte Temperatur einzustellen.
4. Verwenden Sie die ZEIT-Pfeile, um den Timer auf bis zu eine Stunde einzustellen (bei jedem Drücken wird eine Minute hinzugefügt/abgezogen).
5. Drücken Sie die Taste 'START/PAUSE', um das Garen zu starten.
6. Wenn das Garen beendet ist, ertönt ein dreimaliger Signalton und auf dem Display erscheint 'Ende'. Der Motor hört nach 20 Sekunden auf zu arbeiten. Wenn das Gerät stoppt, erscheint auf dem Display 'Ein'. Entfernen Sie die Zutaten, indem Sie sie herauskippen oder eine Zange/ein Utensil verwenden.

Dörren

1. Legen Sie eine einzelne Schicht Zutaten in den Korb. Legen Sie dann die Frittierplatte in den Korb auf die Zutaten. Legen Sie abschließend eine weitere Schicht Zutaten auf die Frittierplatte.
2. Das Gerät ist standardmäßig auf Zone 1 eingestellt (um Zone 2 zu verwenden, wählen Sie Zone 2). Wählen Sie 'DÖRREN'. Die Standardtemperatur erscheint auf dem Display.
3. Verwenden Sie die TEMP-Pfeile, um die gewünschte Temperatur einzustellen.
4. Verwenden Sie die ZEIT-Pfeile, um einen Timer zwischen 1-12 Stunden einzustellen (bei jedem Drücken werden 15 Minuten hinzugefügt/abgezogen).
5. Drücken Sie die Taste 'START/PAUSE', um mit dem Dörren zu beginnen.
6. Wenn das Garen beendet ist, ertönt ein dreimaliger Signalton und auf dem Display erscheint 'Ende'. Der Motor hört nach 20 Sekunden auf zu arbeiten. Wenn das Gerät stoppt, erscheint auf dem Display 'Ein'. Entfernen Sie die Zutaten, indem Sie sie herauskippen oder eine Zange/ein Utensil verwenden.

REINIGUNG IHRER DOPPELKORB-HEIßLUFTFRITTEUSE

Reinigen Sie das Gerät nach jeder Verwendung gründlich.

Die Innenseite der Körbe, der Frittierplatten und des Produkts ist mit einem nicht haftenden Lack überzogen. Verwenden Sie zur Reinigung keine Küchenutensilien oder Scheuermittel - dies würde die Beschichtung beschädigen.

1. Ziehen Sie den Netzstecker des Geräts und lassen Sie es vollständig abkühlen. Nehmen Sie die Körbe heraus, damit das Gerät schneller abkühlen kann.
2. Verwenden Sie ein feuchtes Tuch, um die Außenteile des Geräts zu reinigen.
3. Reinigen Sie die Körbe oder den Boden der Körbe mit heißem Wasser, Spülmittel und einem nicht scheuernden Schwamm. Geben Sie das heiße Wasser und das Reinigungsmittel zusammen in die Körbe. Legen Sie die Frittierplatten in die Körbe und lassen Sie sie 10 Minuten lang einweichen.
4. Reinigen Sie das Innere des Geräts mit heißem Wasser und einem nicht scheuernden Schwamm.

5. Verwenden Sie eine Reinigungsbürste, um die Heizkomponenten zu säubern und eventuelle Lebensmittelreste zu entfernen.
6. Reinigen Sie die Lufteinlassöffnung und die Luftauslassöffnung mit einer sauberen Bürste.

Hinweis: Wenn Lebensmittelreste an den Frittierplatten oder -körben haften, legen Sie sie in ein mit warmem Seifenwasser gefülltes Waschbecken und lassen Sie sie einweichen.

AUFBEWAHRUNG IHRER DOPPELKORB- HEISLUFTFRITTEUSE

1. Vergewissern Sie sich, dass das Gerät abgekühlt ist, und reinigen und trocknen Sie dann alle Teile, bevor Sie es aufbewahren.
2. Lagern Sie die Doppelkorb-Heißluftfritteuse niemals in heißem oder nassem Zustand.
3. Stellen Sie die sauberen Frittierplatten in jeden Frittierkorb und setzen Sie dann die Frittierkörbe in das Gerät ein.
4. Bewahren Sie das Gerät in seinem Karton oder an einem sauberen, trockenen Ort auf.

HILFREICHE TIPPS

1. Um eine gleichmäßige Bräunung zu erzielen, achten Sie darauf, dass die Zutaten in einer gleichmäßigen Schicht auf dem Boden des Korbes liegen und sich nicht überlappen. Wenn sich die Zutaten überlappen, schütteln Sie sie nach der Hälfte des Garens.
2. Temperatur und Zeit können während des Garens eingestellt werden. Drücken Sie die Taste 'START/PAUSE', wählen Sie die Zone aus, die Sie einstellen möchten, und drücken Sie dann die TEMP-Pfeile, um die Temperatur einzustellen, oder die ZEIT-Pfeile, um die Zeit einzustellen. Danach drücken Sie erneut die Taste 'START/PAUSE'.
3. Um Rezepte aus einem herkömmlichen Backofen umzuwandeln, reduzieren Sie die Temperatur um 5 °C. Überprüfen Sie die Speisen häufig, um ein Übergaren zu vermeiden.
4. Gelegentlich bläst der Lüfter der Heißluftfritteuse leichte Lebensmittel umher. Um dies zu verhindern, sichern Sie die Lebensmittel (z.B. die oberste Scheibe Brot auf einem Sandwich) mit Holzzahnstochern.
5. Die Frittierplatten heben die Zutaten in den Körben an, so dass die Luft unter und um die Zutaten herum zirkulieren kann und für gleichmäßige, knusprige Ergebnisse sorgt.
6. Nachdem Sie eine Garfunktion ausgewählt haben, können Sie die Taste 'START/PAUSE' drücken, um sofort mit dem Garen zu beginnen. Das Gerät wird mit der voreingestellten Temperatur und Zeit betrieben.
7. Für beste Ergebnisse bei frischem Gemüse und Kartoffeln sollten Sie mindestens einen Esslöffel Öl verwenden. Fügen Sie nach Bedarf mehr Öl hinzu, um den gewünschten Grad an Knusprigkeit zu erreichen.
8. Überprüfen Sie während des Garens den Fortschritt und nehmen Sie die Lebensmittel heraus, wenn sie den gewünschten Bräunungsgrad erreicht haben. Wir empfehlen die Verwendung eines Thermometers mit Sofortablesung, um die Innentemperatur der Speisen zu überwachen.
9. Die besten Ergebnisse erzielen Sie, wenn Sie die Speisen direkt nach Ende der Garzeit herausnehmen, um ein Übergaren zu vermeiden.

AUSTAUSCHTEILE

Um zusätzliche Teile und Zubehör zu bestellen, können Sie sich an den Hersteller oder den Kundendienst wenden.

HÄUFIGE FRAGEN

Wie kann ich die Temperatur oder die Zeit bei Verwendung einer einzelnen Zone einstellen?

Wenn eine einzelne Zone in Betrieb ist, drücken Sie die Taste 'START/PAUSE' und stellen Sie dann die Zeit oder die Temperatur ein, indem Sie die Pfeile nach oben/unten drücken.

Wie stelle ich die Temperatur oder die Zeit ein, wenn ich beide Zonen verwende?

Drücken Sie die Taste 'START/PAUSE', wählen Sie die gewünschte Zone und verwenden Sie dann die TEMP-Pfeile, um die Temperatur einzustellen, oder die ZEIT-Pfeile, um die Zeit einzustellen.

Kann ich in jeder Zone unterschiedliche Speisen zubereiten und muss ich mir keine Sorgen über Kreuzkontaminationen machen?

Ja, beide Zonen sind in sich geschlossen und verfügen über separate Heizelemente und Lüfter.

Wie kann ich eine Zone bei Verwendung beider Zonen unterbrechen oder stoppen?

Wählen Sie die Zone aus, die Sie pausieren oder anhalten möchten, und drücken Sie dann die Taste START/PAUSE.

Kann ich die Körbe sicher auf meine Arbeitsplatte stellen?

Die Körbe erhitzen sich während des Garens. Seien Sie vorsichtig bei der Verwendung und stellen Sie sie nur auf hitzebeständige Oberflächen. Stellen Sie die Körbe NICHT auf die Oberseite des Geräts.

Wann sollte ich die Frittierplatte verwenden?

Verwenden Sie die Frittierplatte, wenn Sie möchten, dass das Essen knusprig wird. Die Platte hebt die Lebensmittel im Korb an, so dass die Luft unter und um sie herum strömen kann und die Zutaten gleichmäßig gegart werden.

Warum ist mein Essen nicht vollständig gegart?

Vergewissern Sie sich, dass der Korb während des Garens vollständig eingeschoben ist. Um eine gleichmäßige Bräunung zu erzielen, achten Sie darauf, dass die Zutaten in einer gleichmäßigen Schicht auf dem Boden des Korbes liegen und sich nicht überlappen. Schütteln Sie den Korb und schwenken Sie die Zutaten, damit sie gleichmäßig knusprig werden.

Warum ist mein Essen verbrannt?

Die besten Ergebnisse erzielen Sie, wenn Sie während des Garens den Fortschritt kontrollieren und das Essen herausnehmen, wenn es den gewünschten Bräunungsgrad erreicht hat. Nehmen Sie die Speisen sofort nach Ende der Garzeit heraus, um ein Übergaren zu vermeiden.

Warum fliegen manche Zutaten beim Frittieren in der Luft herum?


Gelegentlich bläst der Lüfter der Heißluftfritteuse leichte Lebensmittel umher. Verwenden Sie hölzerne Zahnstocher, um lose, leichte Lebensmittel zu sichern (z.B. die oberste Scheibe Brot auf einem Sandwich).

Kann ich nasse, panierte Zutaten frittieren?

Ja, aber verwenden Sie die richtige Paniertechnik. Es ist wichtig, dass Sie die Lebensmittel zuerst mit Mehl, Ei und dann mit Paniermehl bestreichen. Drücken Sie die

Panade fest auf die panierten Zutaten, damit die Krümel nicht durch den Lüfter weggeblasen werden.

Warum ist das Display schwarz geworden?

Das Gerät befindet sich im Standby-Modus. Drücken Sie die Taste , um das Gerät wieder einzuschalten.

Warum piept das Gerät?

Das Essen ist fertig gegart.

Warum erscheint 'E' auf dem Display-Bildschirm?

Das Gerät funktioniert nicht richtig. Bitte wenden Sie sich an den Hersteller oder seinen Kundendienst.

Garantie und Serviceleistungen

Wenn Sie Serviceleistungen oder Reparaturen benötigen oder Zweifel haben, können Sie sich an Ihr örtliches Kundenzentrum wenden. Wenn es in der Nähe Ihres Standortes kein Kundenzentrum gibt, können Sie sich an den Lieferanten wenden.

CONTENUTI

Importante	
Precauzioni	41
Parti	42
Conoscere l'apparecchio	43
Prima del primo uso.....	43
Tasti delle funzioni	44
Tasti di attivazione	44
Cottura con la friggitrice ad aria a doppio cestello.....	45
Cottura in una sola zona.....	46
Grigliata ad aria.....	46
Frittura ad aria	47
Arrosto.....	47
Forno.....	47
Riscaldamento	47
Mantenimento al caldo	48
Patatine.....	48
Pancetta.....	48
Alette.....	49
Disidratazione	49
Pulizia della friggitrice ad aria a doppio cestello.....	49
Conservazione della friggitrice ad aria a doppio cestello.....	49
Consigli utili	50
Guida alla risoluzione dei problemi	51
Garanzia e manutenzione.....	51

IMPORTANTI PRECAUZIONI DI SICUREZZA

SOLO PER USO DOMESTICO. LEGGERE TUTTE LE ISTRUZIONI.

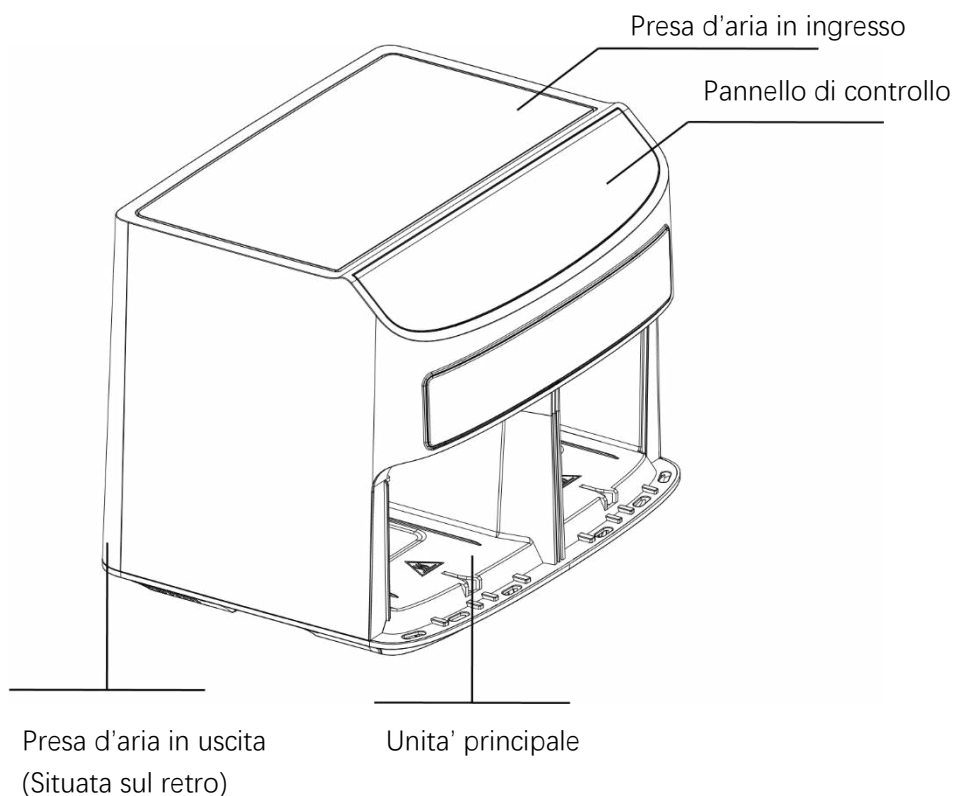
Quando si utilizzano apparecchi elettrici, seguire sempre le precauzioni di sicurezza basilari, incluse le seguenti:

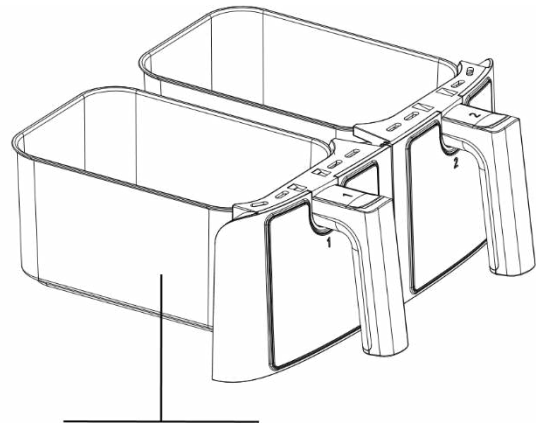
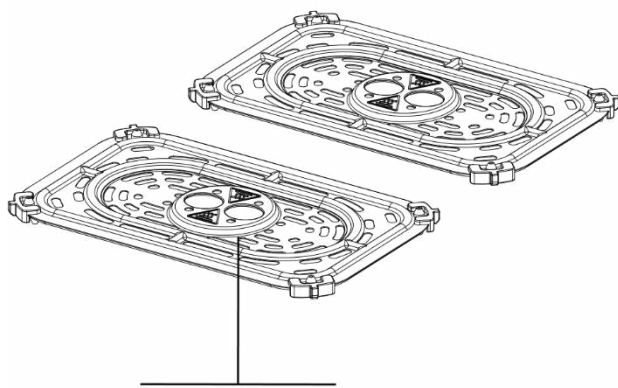
AVVERTENZA

1. Questo apparecchio può essere utilizzato da persone con capacità fisiche, sensoriali o mentali ridotte o prive di esperienza se sono state istruite sull'uso dell'apparecchio. Devono inoltre comprendere i rischi connessi all'uso.
2. Tenere l'apparecchio e il cavo fuori dalla portata dei bambini. I bambini NON DEVONO utilizzare questo apparecchio. Sorvegliare attentamente i bambini quando si avvicinano a questo apparecchio.
3. I bambini non devono giocare con l'apparecchio.
4. Non utilizzare MAI una presa elettrica posta sotto il bancone.
5. Non collegare MAI questo apparecchio a un timer esterno o a un sistema di controllo remoto separato.
6. Quando si utilizza questo apparecchio, mantenere almeno sei pollici di spazio sopra e su tutti i lati dell'apparecchio, assicurando la libera circolazione dell'aria.
7. Per evitare il rischio di scosse elettriche, NON immergere il cavo, le spine o l'apparecchio in acqua o altri liquidi. Per la cottura, utilizzare esclusivamente il cestello in dotazione.
8. Ispezionare regolarmente l'apparecchio e il cavo di alimentazione. NON utilizzare l'apparecchio con un cavo di alimentazione o una spina danneggiati. Se l'apparecchio non funziona correttamente o è stato danneggiato in qualsiasi modo, interrompere immediatamente l'uso e contattare il servizio di assistenza clienti.
9. NON utilizzare una prolunga. Utilizzare un cavo corto, in modo che i bambini non possano afferrarlo o rimanerne intrappolati. Questo riduce inoltre il rischio che le persone inciampino nel cavo.
10. Assicurarsi che l'apparecchio sia correttamente assemblato prima dell'uso.
11. Mentre l'apparecchio è in funzione, NON coprire la presa in ingresso o quella in uscita dell'aria. Ciò potrebbe provocare la cottura di cibi crudi, surriscaldare l'apparecchio o causare danni.
12. Prima di posizionare il cestello nell'alloggiamento principale, pulire e asciugare il cestello e l'unità con un panno morbido.
13. Questo apparecchio è destinato esclusivamente all'uso domestico. NON utilizzare questo apparecchio per scopi diversi da quelli previsti. NON utilizzarlo su veicoli o imbarcazioni in movimento. NON utilizzare all'aperto. L'uso improprio può causare lesioni personali o danni.
14. Posizionare l'apparecchio su una superficie stabile, in piano e asciutta. NON spostare l'apparecchio durante il funzionamento.
15. NON posizionare l'apparecchio sul bordo del banco lavoro quando è in funzione.
16. NON utilizzare accessori che non siano consigliati o venduti dal produttore. NON inserire gli accessori nel microonde, in qualsiasi tipo di forno o su un piano cottura in vetroceramica, bobina elettrica, su un fornello a gas o una griglia esterna. Collegare accessori non consigliati dal produttore può causare incendi, scosse elettriche e lesioni personali.
17. Assicurarsi SEMPRE che il cestello sia chiuso correttamente prima dell'uso.
18. NON utilizzare l'apparecchio se il cestello non è correttamente installato.
19. NON utilizzare questo apparecchio per friggere ad olio.
20. Tenere l'apparecchio lontano da superfici calde, gas caldi, fornelli elettrici e forni riscaldati.
21. Evitare che il cibo venga a contatto con gli elementi riscaldanti. NON riempire eccessivamente durante la cottura. Un eccessivo riempimento può causare danni materiali o lesioni personali.
22. Non collocare MAI oggetti sopra questo apparecchio.
23. Il voltaggio della presa può variare, influenzando le prestazioni del prodotto. Per prevenire possibili problemi di salute, utilizzare un termometro per assicurarsi che il cibo venga cotto alla temperatura consigliata.

24. Qualora l'apparecchio emettesse fumo nero, scollegarlo immediatamente dalla presa. Attendere che il fumo si sia dissipato prima di rimuovere eventuali accessori di cottura.
25. La superficie dell'apparecchio è rivestita in acciaio inossidabile. NON toccare la superficie durante la cottura.
26. NON toccare le superfici calde. Le superfici dell'apparecchio sono calde durante e dopo l'uso. Per evitare ustioni o lesioni personali, utilizzare sempre dispositivi di protezione individuale o guanti da forno isolanti. Utilizzare sempre le maniglie in dotazione.
27. Prestare la massima attenzione quando l'apparecchio contiene cibi caldi. L'uso improprio può provocare lesioni personali.
28. L'apparecchio deve essere collegato ad una presa elettrica con messa a terra, assicurandosi che sia inserita correttamente.
29. Il cibo versato può causare gravi ustioni. Tenere l'apparecchio e il cavo lontano dalla portata dei bambini. NON lasciare che il cavo penda dai bordi dei tavoli o che venga in contatto con superfici calde.
30. Durante il processo di cottura, il cestello e il piatto rotante si riscalderanno molto. Evitare il contatto fisico diretto quando si rimuovono dall'apparecchio. Una volta rimosso, posizionare il cestello o il piatto su una superficie resistente al calore. NON toccare gli accessori durante o immediatamente dopo la cottura.
31. I bambini non devono pulire o eseguire operazioni di manutenzione su questo apparecchio.
32. Per scollegare dalla corrente, premere il pulsante di alimentazione per spegnere l'unità, quindi scollegare dalla presa. Prima di pulire o smontare l'apparecchio, lasciarlo raffreddare completamente.
33. NON pulire con spugnette metalliche. I pezzi possono staccarsi dal cuscinetto e venire a contatto con le parti elettriche – ciò può provocare una scossa elettrica.
34. Durante il primo utilizzo l'unità potrebbe emettere del fumo. Questo è normale: il fumo scomparirà entro pochi minuti.
35. Fare riferimento alla sezione "Pulizia e manutenzione" per la manutenzione dell'apparecchio

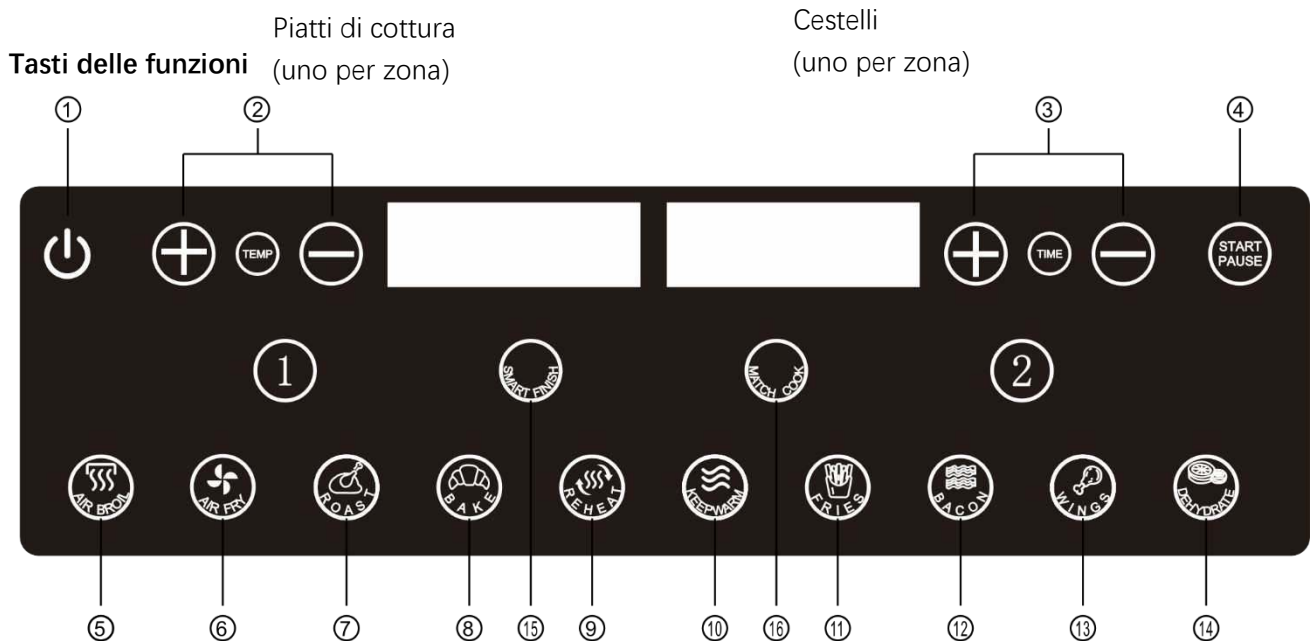
PARTI





CONOSCERE L'APPARECCHIO PRIMA DEL PRIMO UTILIZZO

1. Rimuovere ed eliminare dall'unità qualsiasi materiale di imballaggio, etichette promozionali e nastro adesivo.
2. Estrarre tutti gli accessori dalla confezione e leggere attentamente il manuale. Prestare particolare attenzione alle istruzioni d'uso, alle "avvertenze" e alle "misure di sicurezza importanti" per evitare lesioni personali o danni materiali.
3. Lavare i cestelli e i piatti di cottura in acqua calda e sapone, quindi risciacquarli e asciugarli accuratamente.
4. Pulire l'interno e l'esterno del prodotto con un panno umido, quindi asciugare accuratamente.
5. Questo apparecchio utilizza la tecnologia di riscaldamento dell'aria. Non versare mai olio o grasso all'interno della friggitrice.



1. Pulsante di accensione: premere per accendere e spegnere l'apparecchio. Quando l'apparecchio è collegato alla corrente, la spia del pulsante di accensione si accende. Premendo il pulsante una volta si illuminerà l'intero pannello di controllo: lo schermo digitale mostrerà "On". Tenendo premuto il pulsante di accensione per tre secondi l'apparecchio si spegnerà'.

2. Pulsanti di controllo della temperatura: consentono di aumentare o diminuire la temperatura di cottura di 5°C per tocco.
3. Pulsanti di controllo del timer: consentono di selezionare un tempo di cottura esatto al minuto.
4. Avvio/Pausa: dopo aver selezionato la temperatura e il tempo di cottura, premere questo pulsante per avviare la cottura. Per mettere in pausa la cottura, selezionare innanzitutto quale zona si desidera mettere in pausa, quindi premere il pulsante "Avvio/Pausa".
5. Grigliata ad aria: aggiunge un tocco finale croccante ai cibi o scioglie i condimenti.
6. Frittura ad aria: utilizzare questa funzione per conferire al cibo maggiore croccantezza: è necessario poco o nessun olio.
7. Arrosto: utilizzare questa funzione per carni tenere e altro.
8. Forno: per preparare dolci e dessert al forno.
9. Riscaldamento: riscalda gli avanzi, ottenendo un risultato croccante.
10. Mantenimento al caldo: utilizzare questa funzione per mantenere il cibo caldo dopo la cottura.
11. Patatine: utilizzare questa funzione per cuocere le patatine.
12. Pancetta: utilizzare questa funzione per cuocere la pancetta.
13. Alette: utilizzare questa funzione per cuocere le alette di pollo.
14. Disidratazione: utilizzare questa funzione per disidratare carne, frutta e verdura, cuocendo uno spuntino sano.
15. Fine cottura intelligente: sincronizza automaticamente i tempi di cottura su entrambe le zone, garantendo che finiscano insieme, anche se hanno tempi di cottura diversi.
16. Cottura combinata: le impostazioni della "Zona 2" corrisponderanno a quelle della "Zona 1", in modo da poter cucinare una quantità maggiore dello stesso cibo o cucinare cibi diversi utilizzando la stessa funzione, temperatura e timer.

Avviso:

Modalità standby: Se non viene effettuata alcuna operazione con il pannello di controllo per cinque minuti, l'apparecchio entrerà in modalità standby e si illuminerà solo il pulsante di accensione.

TASTI DI ATTIVAZIONE

- 1) Controlla l'uscita del cestello sinistro.
- 2) Controlla l'uscita del cestello destro.

Frecce TEMP: prima o durante la cottura, utilizzare le frecce su e giù per regolare la temperatura di cottura.

Frecce TIMER: prima o durante la cottura, utilizzare le frecce su e giù per regolare il tempo di cottura in qualsiasi funzione.

SET PREIMPOSTATI DI COTTURA

Tabella di pulsanti di cottura preimpostata

Menu	TEMP Standard	TEMPO Standard (Un Cestello/Due Cestelli)	Intervallo di TEMP	Intervallo di TEMPO
GRIGLIATA AD ARIA	230 °C	10min	205-230°C	1 - 30 min
FRITTURA AD ARIA	200 °C	20min	150-205°C	1 - 60 min
ARROSTO	190 °C	15min	120-205°C	1 min – 4ore (5 min)
FORNO	105 °C	15min	105-205°C	1 min – 4ore (5 min)

RISCALDAMENTO	175 °C	15min	130-200°C	1 - 60 min
MANTENIMENTO AL CALDO	95 °C	30min	65-95°C	30min – 8ore (15 min)
PATATINE	205 °C	15min	75-205°C	1 - 60 min
PANCETTA	190 °C	6min	75-205°C	1 - 60 min
ALETTE	205 °C	25min	75-205°C	1 - 60 min
DISIDRATAZIONE	65 °C	6hours	40-90°C	1 – 12ore (15 min)

* **NOTA:** la funzione di grigliata ad aria non può essere utilizzata in entrambe le zone contemporaneamente.

NOTA: le impostazioni predefinite sono solo di riferimento. Gli alimenti differiscono per provenienza, dimensione, forma e marca. Non possiamo garantire che queste siano le impostazioni migliori per i vostri ingredienti. La tecnologia di ricambio rapido dell'aria fornisce immediatamente nuovo calore all'interno dell'apparecchio: l'estrazione del cestello dall'unità durante la cottura difficilmente influenzerà il processo di cottura.

NOTA: Se la friggitrice ad aria a doppio cestello viene avviata a freddo, il tempo di cottura deve essere di tre minuti in più rispetto allo standard.

COTTURA CON LA FRIGGITRICE AD ARIA A DOPPIO CESTELLO FINE COTTURA INTELLIGENTE

Quando gli alimenti hanno tempi di cottura, temperature o funzioni diverse, è possibile farli terminare nello stesso momento. Seguire questi passi:

1. Versare gli ingredienti nei cestelli, quindi inserire i cestelli nella friggitrice.
2. Premere "FINE COTTURA INTELLIGENTE" - La zona 1 rimarrà illuminata. Selezionare la funzione di cottura desiderata. Utilizzare le frecce TEMP per impostare la temperatura e utilizzare le frecce TIME per impostare il timer.
3. Selezionare la Zona 2, quindi selezionare la funzione di cottura desiderata (GRIGLIATA AD ARIA non è disponibile per la Zona 2). Utilizzare le frecce TEMP per impostare la temperatura e utilizzare le frecce TIME per impostare il timer.

NOTA: la funzione di grigliata ad aria può essere utilizzata solo nella Zona 1.

NOTA: è possibile selezionare una funzione diversa per la Zona 2.

4. Quindi premere il tasto AVVIO/PAUSA per iniziare la cottura nella zona con il timer più lungo. L'altra zona visualizzerà a schermo la parola 'ATTESA'. L'unità attiverà la seconda zona quando entrambe le zone avranno lo stesso tempo di cottura rimanente.

NOTA: alcuni alimenti devono essere capovolti durante la cottura. Per capovolgerli, afferrare la maniglia ed estrarre il cestello dal prodotto, quindi girare gli ingredienti. Successivamente, reinserire il cestello nell'apparecchio. Quando si estrae il cestello dalla friggitrice, a schermo viene visualizzato "Stop".

AVVISO: Al primo utilizzo, regolare la temperatura a 200 °C e lasciare l'apparecchio acceso per 30 minuti senza alimenti all'interno.

5. Una volta completata la cottura, l'unità emetterà tre segnali acustici e sul display verrà visualizzato "Fine". Il motore smetterà di funzionare dopo 20 secondi. Quando l'unità si ferma, sul display verrà visualizzato 'On'.
6. Rimuovere gli ingredienti rovesciandoli o utilizzando pinze/utensili. NON posizionare il cestello sopra l'unità.

COTTURA COMBINATA

Per cuocere una quantità maggiore dello stesso cibo o cuocere cibi diversi utilizzando la stessa funzione, temperatura e tempo:

1. Versare gli ingredienti nei cestelli, quindi inserire i cestelli nella friggitrice.
2. Premere il pulsante "COTTURA COMBINATA" e selezionare la funzione di cottura desiderata (la modalità di grigliata ad aria non è disponibile con questa funzione). Utilizzare le frecce 'TEMP' per impostare la temperatura. Utilizzare le frecce 'TIME' per impostare il timer. I due schermi visualizzeranno la stessa temperatura contemporaneamente.
3. Premere 'AVVIO/PAUSA' per iniziare la cottura in entrambe le zone.

NOTA: alcuni ingredienti devono essere capovolti durante la cottura. Per capovolgere gli ingredienti, afferrare la maniglia ed estrarre il cestello dal prodotto, quindi girare gli ingredienti. Successivamente, reinserire il cestello nella friggitrice. Quando viene rimosso il cestello, i due schermi visualizzeranno 'Stop'.

4. Una volta completata la cottura, l'unità emetterà tre segnali acustici e sul display verrà visualizzato "Fine". Il motore smetterà di funzionare dopo 20 secondi. Quando l'unità si ferma, sul display verrà visualizzato 'On'.

5. Rimuovere gli ingredienti rovesciandoli o utilizzando pinze/utensili. NON posizionare il cassetto sopra l'unità.

NOTA: la cottura all'aria non può essere utilizzata nella modalità "Cottura Combinata".

Iniziare la cottura di entrambe le zone contemporaneamente, ma con termine di cottura in tempi diversi:

1. Selezionare la zona 1, quindi selezionare la funzione desiderata. Utilizzare le frecce TEMP per impostare la temperatura. Utilizzare le frecce TIME per impostare il timer.
2. Selezionare la zona 2, quindi selezionare la funzione desiderata. Utilizzare le frecce TEMP per impostare la temperatura. Utilizzare le frecce TIME per impostare il timer. Nota: la modalità di grigliata ad aria non è disponibile nella Zona 1.
3. Premere il pulsante "AVVIO/PAUSA" per iniziare la cottura in entrambe le zone.
4. Una volta completata la cottura in una zona, l'unità emetterà tre segnali acustici e sul display verrà visualizzato "Fine". Il motore smetterà di funzionare dopo 20 secondi e sul display della zona verrà visualizzato "On".
5. Rimuovere gli ingredienti rovesciandoli o utilizzando pinze/utensili, quindi attendere che gli ingredienti nell'altro cestello finiscano di cuocere.

METTERE IN PAUSA ENTRAMBE LE ZONE NELLO STESSO MOMENTO

1. Per mettere in pausa la cottura in modalità FINE COTTURA INTELLIGENTE o per mettere in pausa entrambe le zone durante doppia cottura, premere il pulsante 'AVVIO/PAUSA'.
2. Per riprendere la cottura, premere nuovamente il pulsante 'AVVIO/PAUSA'.

METTERE IN PAUSA UNA SINGOLA ZONA DURANTE LA COTTURA A DOPPIA ZONA

1. Per mettere in pausa la cottura in una singola zona mentre entrambe le zone sono in funzione, selezionare la zona che si desidera mettere in pausa, quindi premere il pulsante "AVVIO/PAUSA". Per mettere in pausa una zona mentre entrambe sono in funzione, selezionare la zona che si desidera mettere in pausa, quindi premere il pulsante "AVVIO/PAUSA".
2. Per riprendere la cottura, premere nuovamente il pulsante 'AVVIO/PAUSA'.

CANCELLARE IL PROGRAMMA SELEZIONATO

In qualsiasi modalità, premere il pulsante "AVVIO/PAUSA", quindi premere il pulsante di accensione per annullare un programma di cottura. L'unità smetterà di funzionare e sul display verrà visualizzato "On".

COTTURA IN UNA SINGOLA ZONA

Per accendere l'unità, collegare il cavo di alimentazione a una presa elettrica a muro, quindi premere il pulsante di accensione.

Grigliata ad aria

Nota: la modalità di grigliata ad aria non può essere utilizzata in entrambe le zone contemporaneamente.

1. Posizionare il piatto di cottura nel cestello, quindi versare gli ingredienti nel cestello e posizionarlo nella friggitrice.
2. L'apparecchio passerà automaticamente alla Zona 1 (per utilizzare la Zona 2, selezionare Zona 2). Seleziona "grigliata ad aria".
3. Utilizzare le frecce TEMP per impostare la temperatura desiderata.
4. Utilizzare le frecce TIME per impostare il tempo di cottura fino a 30 minuti (ogni tocco aggiunge/sottrae un minuto).
5. Premere il pulsante "AVVIO/PAUSA" per iniziare la cottura.
6. Una volta completata la cottura, l'unità emetterà tre segnali acustici e sul display verrà visualizzato "Fine". Il motore smetterà di funzionare dopo 20 secondi. Quando l'unità si ferma, sul display verrà visualizzato "On". Rimuovere gli ingredienti rovesciandoli o utilizzando pinze/utensili.

Frittura ad aria

1. Posizionare il piatto di cottura nel cestello, quindi versare gli ingredienti nel cestello e posizionarlo nella friggitrice.
 2. L'unità passerà automaticamente alla Zona 1 (per utilizzare la Zona 2, selezionare Zona 2). Selezionare "frittura ad aria".
 3. Utilizzare le frecce TEMP per impostare la temperatura desiderata.
 4. Utilizzare le frecce TIME per impostare il tempo di cottura fino a 30 minuti (ogni tocco aggiunge/sottrae un minuto).
 5. Premere il pulsante "AVVIO/PAUSA" per iniziare la cottura.
- NOTA: durante la cottura è possibile rimuovere il cestello e agitare o mescolare gli ingredienti per ottenere una croccantezza uniforme. Per capovolgere gli ingredienti, afferrare la maniglia ed estrarre il cestello dall'apparecchio, quindi girare gli ingredienti. Successivamente, reinserire il cestello nell'unità. Quando si estrae il cestello dalla friggitrice, a schermo verrà visualizzato "Stop".
6. Una volta completata la cottura, l'unità emetterà tre segnali acustici e sul display verrà visualizzato "Fine". Il motore smetterà di funzionare dopo 20 secondi. Quando l'unità si ferma, sul display verrà visualizzato "On". Rimuovere gli ingredienti rovesciandoli o utilizzando pinze/utensili.

Arrosto

1. Installare il piatto di cottura nel cestello (opzionale), quindi versare gli ingredienti nel cestello e reinserirlo nella friggitrice.
2. L'unità passerà automaticamente alla Zona 1 (per utilizzare la Zona 2, selezionare Zona 2). Selezionare la modalità 'ARROSTO'.
3. Utilizzare le frecce TEMP per impostare la temperatura desiderata.
4. Utilizzare le frecce TIME per impostare il tempo di cottura fino a quattro ore (ogni tocco aggiunge/sottrae cinque minuti).
5. Premere il pulsante "AVVIO/PAUSA" per iniziare la cottura.
6. Una volta completata la cottura, l'unità emetterà tre segnali acustici e sul display verrà visualizzato "Fine". Il motore smetterà di funzionare dopo 20 secondi. Quando l'unità si ferma, sul display verrà visualizzato "On". Rimuovere gli ingredienti rovesciandoli o utilizzando pinze/utensili.

Forno

1. Installare il piatto di cottura nel cestello (opzionale), quindi versare gli ingredienti nel cestello e reinserirlo nella friggitrice.

2. L'unità passerà automaticamente alla Zona 1 (per utilizzare la Zona 2, selezionare Zona 2). Selezionare FORNO.

NOTA: Per cucinare ricette da forno tradizionale, utilizzare una temperatura di 5°C più bassa.

3. Utilizzare le frecce TEMP per impostare la temperatura desiderata.

4. Utilizzare le frecce TIME per impostare il tempo di cottura fino a quattro ore (ogni tocco aggiunge/sottrae cinque minuti).

5. Premere il pulsante "AVVIO/PAUSA" per iniziare la cottura.

6. Al termine della cottura, l'unità emetterà tre segnali acustici e sul display verrà visualizzato "Fine". Il motore smetterà di funzionare dopo 20 secondi. Quando l'unità si ferma, sul display verrà visualizzato "On". Rimuovere gli ingredienti rovesciandoli o utilizzando pinze/utensili.

Riscaldamento

1. Installare il piatto di cottura nel cestello (opzionale), quindi versare gli ingredienti nel cestello e reinserirlo nella friggitrice.

2. L'unità passerà automaticamente alla Zona 1 (per utilizzare invece la Zona 2, selezionare Zona 2). Selezionare "RISCALDAMENTO".

3. Utilizzare le frecce TEMP per impostare la temperatura desiderata.

4. Utilizzare le frecce TIME per impostare il tempo di cottura fino a un'ora (ogni tocco aggiunge/sottrae un minuto).

5. Premere il pulsante AVVIO/PAUSA per iniziare il riscaldamento.

6. Una volta completato il riscaldamento, l'unità emetterà tre segnali acustici e sul display verrà visualizzato "Fine". Il motore smetterà di funzionare dopo 20 secondi. Quando l'unità si ferma, sul display verrà visualizzato "On". Rimuovere gli ingredienti rovesciandoli o utilizzando pinze/utensili.

Mantenimento al caldo

1. Installare il piatto di cottura nel cestello (opzionale), quindi versare gli ingredienti nel cestello e reinserirlo nella friggitrice.

2. L'unità passerà automaticamente alla Zona 1 (per utilizzare la Zona 2, selezionare Zona 2). Selezionare "MANTENIMENTO AL CALDO".

3. Utilizzare le frecce TEMP per impostare la temperatura desiderata.

4. Utilizzare le frecce TIME per impostare il tempo di cottura fino a otto ore (ogni tocco aggiunge/sottrae 15 minuti).

5. Premere il pulsante 'AVVIO/PAUSA' per avviare questa funzione.

6. Una volta completata la cottura, l'unità emetterà tre segnali acustici e sul display verrà visualizzato "Fine". Il motore smetterà di funzionare dopo 20 secondi. Quando l'unità si ferma, sul display verrà visualizzato "On". Rimuovere gli ingredienti rovesciandoli o utilizzando pinze/utensili.

Patatine

1. Installare il piatto di cottura nel cestello, quindi versare gli ingredienti nel cestello e reinserirlo nell'unità.

2. L'unità passerà automaticamente alla Zona 1 (per utilizzare la Zona 2, selezionare Zona 2). Selezionare "PATATINE".

3. Utilizzare le frecce TEMP per impostare la temperatura desiderata.

4. Utilizzare le frecce TIME per impostare il tempo di cottura fino a un'ora (ogni tocco aggiunge/sottrae un minuto).
 5. Premere il pulsante "AVVIO/PAUSA" per iniziare la cottura.
- NOTA:** durante la cottura è possibile rimuovere il cestello e agitare o mescolare gli ingredienti per ottenere una croccantezza uniforme. Per capovolgere gli ingredienti, afferrare la maniglia ed estrarre il cestello dalla friggitrice, quindi girare gli ingredienti. Successivamente, reinserire il cestello nell'unità. Quando si estrae il cestello dalla friggitrice, lo schermo visualizzerà "Stop".
6. Una volta completata la cottura, l'unità emetterà tre segnali acustici e sul display verrà visualizzato "Fine". Il motore smetterà di funzionare dopo 20 secondi. Quando l'unità si ferma, sul display verrà visualizzato "On". Rimuovere gli ingredienti rovesciandoli o utilizzando pinze/utensili.

Pancetta

1. Installare il piatto di cottura nel cestello, quindi versare gli ingredienti nel cestello e reinserirlo nell'unità.
2. L'unità passerà automaticamente alla Zona 1 (per utilizzare la Zona 2, selezionare Zona 2). Selezionare "PANCETTA".
3. Utilizzare le frecce TEMP per impostare la temperatura desiderata.
4. Utilizzare le frecce TIME per impostare il tempo di cottura fino a un'ora (ogni tocco aggiunge/sottrae un minuto).
5. Premere il pulsante "AVVIO/PAUSA" per iniziare la cottura.
6. Una volta completata la cottura, l'unità emetterà tre segnali acustici e sul display verrà visualizzato "Fine". Il motore smetterà di funzionare dopo 20 secondi. Quando l'unità si ferma, sul display verrà visualizzato "On". Rimuovere gli ingredienti rovesciandoli o utilizzando pinze/utensili.

Alette

1. Installare il piatto di cottura nel cestello, quindi versare gli ingredienti nel cestello e reinserirlo nell'unità.
2. L'unità passerà per impostazione predefinita alla Zona 1 (per utilizzare invece la Zona 2, selezionare Zona 2). Seleziona "ALETTE".
3. Utilizzare le frecce TEMP per impostare la temperatura desiderata.
4. Utilizzare le frecce TIME per impostare il tempo di cottura fino a un'ora (ogni tocco aggiunge/sottrae un minuto).
5. Premere il pulsante "AVVIO/PAUSA" per iniziare la cottura.
6. Una volta completata la cottura, l'unità emetterà tre segnali acustici e sul display verrà visualizzato "Fine". Il motore smetterà di funzionare dopo 20 secondi. Quando l'unità si ferma, sul display verrà visualizzato "On". Rimuovere gli ingredienti rovesciandoli o utilizzando pinze/utensili.

Disidratazione

1. Disporre un singolo strato di ingredienti nel cestello. Quindi installare il piatto di cottura nel cestello sopra gli ingredienti. Completare l'operazione disponendo un altro strato di ingredienti sul piatto di cottura.
2. L'unità passerà automaticamente alla Zona 1 (per utilizzare la Zona 2, selezionare Zona 2). Selezionare "DISIDRATAZIONE".
Sul display verrà visualizzata la temperatura predefinita.
3. Utilizzare le frecce TEMP per impostare la temperatura desiderata.
4. Utilizzare le frecce TIME per impostare un tempo di cottura tra 1 e 12 ore (ogni tocco aggiunge/sottrae 15 minuti).
5. Premere il pulsante "AVVIO/PAUSA" per iniziare la disidratazione.
6. Una volta completata la cottura, l'unità emetterà tre segnali acustici e sul display verrà visualizzato "Fine". Il

motore smetterà di funzionare dopo 20 secondi. Quando l'unità si ferma, sul display verrà visualizzato "On". Rimuovere gli ingredienti rovesciandoli o utilizzando pinze/utensili.

PULIZIA DELLA FRIGGITRICE AD ARIA CON DOPPIO CESTELLO

Pulire accuratamente la friggitrice dopo ogni utilizzo.

Il rivestimento verniciato antiaderente ricopre l'interno dei cestelli, dei piatti di cottura e dell'apparecchio.

Non utilizzare stoviglie o materiali abrasivi per la pulizia: ciò danneggerebbe il rivestimento.

1. Scollegare l'apparecchio dalla corrente e lasciarlo raffreddare completamente. Estrarre i cestelli per consentire all'unità di raffreddarsi più velocemente.
2. Utilizzare un panno umido per pulire le parti esterne dell'apparecchio.
3. Pulire i cestelli e il fondo dei cestelli con acqua calda, detersivo e una spugna non abrasiva. Aggiungere i detersivi insieme all'acqua calda nei cestelli. Mettere i piatti di cottura all'interno dei cestelli e lasciarli in ammollo per 10 minuti.
4. Pulire l'interno del prodotto con acqua calda e una spugna non abrasiva.
5. Utilizzare una spazzola per pulire gli elementi riscaldanti, rimuovendo eventuali residui di cibo rimasti.
6. Pulire la presa in ingresso dell'aria e la presa in uscita dell'aria con una spazzola pulita.

Nota: se sui piatti o sui cestelli sono rimasti residui di cibo, metterli in un lavandino pieno di acqua calda e sapone e lasciarli in ammollo.

CONSERVAZIONE DELLA FRIGGITRICE AD ARIA A DOPPIO CESTELLO

1. Assicurarsi che l'apparecchio si sia raffreddato, quindi pulire e asciugare tutte le parti prima di riporlo.
2. Non riporre mai la friggitrice ad aria a doppio cestello mentre è calda o bagnata.
3. Mettere i piatti di cottura puliti in ciascun cestello della friggitrice, quindi reinserire i cestelli della friggitrice nell'apparecchio.
4. Conservare l'apparecchio nella sua confezione o in un luogo pulito e asciutto.

CONSIGLI UTILI

1. Per una doratura uniforme, assicurarsi che gli ingredienti siano disposti in uno strato uniforme sul fondo del cestello senza sovrapporsi. Se gli ingredienti si sovrappongono, assicurarsi di scuoterli a metà cottura.
2. La temperatura e il timer possono essere regolati durante la cottura. Premere il pulsante 'AVVIO/PAUSA', selezionare la zona che si desidera regolare, quindi premere le frecce TEMP per regolare la temperatura o le frecce TIME per regolare il timer. Successivamente, premere nuovamente il pulsante "AVVIO/PAUSA".
3. Per cucinare ricette da forno tradizionale, utilizzare temperature più basse di 5°C. Controllare frequentemente il cibo per evitare una cottura eccessiva.
4. Occasionalmente, la ventola della friggitrice sbalzerà gli alimenti leggeri tutt'attorno al cestello. Per evitare questo problema, fissare gli alimenti (come la fetta di pane superiore su un panino) con stuzzicadenti di legno.
5. I piatti di cottura sollevano gli ingredienti nei cestelli, consentendo all'aria di circolare sotto e attorno agli ingredienti per un risultato uniforme e croccante.
6. Dopo aver selezionato una funzione di cottura, è possibile premere il pulsante 'AVVIO/PAUSA' per iniziare immediatamente la cottura. L'unità entrerà in funzione alla temperatura e con il timer predefiniti.
7. Per ottenere i migliori risultati con verdure fresche e patate, utilizzare almeno un cucchiaio di olio. Aggiungere più olio a piacere per ottenere il livello di croccantezza preferito.
8. Per ottenere i migliori risultati, controllare l'avanzamento della cottura ed estrarre il cibo quando ha raggiunto il livello di doratura desiderato. Si consiglia di utilizzare un termometro a lettura istantanea per monitorare la temperatura interna degli alimenti.
9. Per ottenere i migliori risultati, rimuovere il cibo direttamente al termine del tempo di cottura per evitare

una cottura eccessiva.

PARTI DI RICAMBIO

Per ordinare parti e accessori di ricambio, è possibile contattare il produttore o il centro Servizio clienti.

Domande frequenti

Come posso regolare la temperatura o il tempo di cottura durante l'utilizzo di una singola zona?

Quando una singola zona è in funzione, premere il pulsante "AVVIO/PAUSA", quindi regolare il timer o la temperatura premendo le frecce su/giù.

Come posso regolare la temperatura o il tempo di cottura mentre utilizzo entrambe le zone?

Premere il pulsante 'AVVIO/PAUSA', selezionare la zona desiderata, quindi utilizzare le frecce TEMP per regolare la temperatura o le frecce TIME per regolare il timer.

Posso cucinare cibi diversi in ogni zona senza preoccuparmi della contaminazione incrociata?

Sì, entrambe le zone sono autonome con elementi riscaldanti e ventilatori separati.

Come posso mettere in pausa o interrompere la cottura in una zona quando utilizzo entrambe le zone?

Selezionare la zona che si desidera mettere in pausa, quindi premere il pulsante AVVIO/PAUSA.

E' possibile posizionare in sicurezza i cestelli sul piano di lavoro?

I cestelli si scaldano durante la cottura. Prestare attenzione nel maneggiarli e posizionarli solo su superfici resistenti al calore. NON posizionare i cestelli sulla parte superiore dell'unità.

Quando devo usare il piatto di cottura?

Utilizzare il piatto di cottura quando si desidera che il cibo risulti croccante. La piastra solleva il cibo nel cestello, consentendo all'aria di fluire sotto e intorno ad esso, cuocendo gli ingredienti in modo uniforme.

Perché il cibo non si è cotto completamente?

Assicurarsi che il cestello sia completamente inserito durante la cottura. Per una doratura uniforme, assicurarsi che gli ingredienti siano disposti in uno strato uniforme sul fondo del cestello senza sovrapporsi. Scuotere il cestello per mescolare gli ingredienti e ottenere una croccantezza uniforme.

Perché il cibo viene bruciato?

Per ottenere i migliori risultati, controllare l'avanzamento della cottura e rimuovere il cibo quando ha raggiunto il livello di doratura desiderato. Rimuovere il cibo immediatamente al termine del tempo di cottura per evitare una cottura eccessiva.

Perché alcuni ingredienti volano via durante la frittura ad aria?

Occasionalmente, la ventola della friggitrice soffia e sbalza alimenti leggeri tutt'attorno. Utilizzare stuzzicadenti di legno per fissare il cibo sfuso e leggero (ad esempio la fetta di pane superiore di un panino).

Posso friggere ad aria gli ingredienti bagnati e pastellati?

Sì, ma bisogna utilizzare la tecnica di panatura corretta. È importante rivestire gli alimenti prima con farina, uova e poi con pangrattato. Premere con forza l'impanatura sugli ingredienti pastellati, in modo che le briciole non vengano spazzate via a causa della ventola.

Perché lo schermo del display diventa nero?

L'unità è entrata in modalità standby. Premere il pulsante di accensione per riaccendere lo schermo.

Perché l'unità emette un segnale acustico?

Il cibo è pronto.

Perché è presente il messaggio "E" sullo schermo del display?

L'unità non funziona correttamente. Si prega di contattare il produttore o il suo agente di servizio.

Garanzia e Manutenzione

Se si necessita di manutenzione o riparazioni, o se si ha qualsiasi dubbio, e' possibile contattare il proprio centro clienti locale. Se non è presente un centro clienti in zona, contattare il fornitore.

If you have any questions, please contact our customer care center.

US

Our contact details are below:

 001-877-644-9366


 customerservice@aosom.com

Imported by Aosom LLC
27150 SW Kinsman Rd Wilsonville, OR 97070 USA
MADE IN CHINA

Si tiene alguna pregunta, comuníquese con nuestro Centro de Atención al Cliente.

ES

Nuestros datos de contacto son los siguientes:

 0034-931294512


 atencioncliente@aosom.es

IMPORTADOR:
SPANISH AOSOM, S.L.
C/ ROC GROS, Nº 15. 08550, ELS HOSTALETES DE
BALENYÀ, SPAIN.
B66295775
WWW.AOSOM.ES
HECHO EN CHINA

If you have any questions, please contact our customer care center.

CA

Our contact details are below:


 416-792-6088

 customerservice@aosom.ca

Imported by Aosom Canada Inc.
7270 Woodbine Avenue, Unit 307, Markham,
Ontario Canada L3R 4B9
MADE IN CHINA

Si vous avez la moindre question, veuillez contacter notre centre d'assistance à la clientèle.

Nos coordonnées sont les suivantes:

 416-792-6088


 customerservice@aosom.ca

Importé par Aosom Canada Inc.
7270 Woodbine Avenue, unité 307,
Markham, Ontario Canada L3R 4B9
Fabriqué en Chine

Se tiver alguma dúvida, por favor contacte o nosso Centro de Atendimento ao Cliente.

PT

Os nossos dados de contacto são os seguintes:

 0034-931294512 (SEG-SEX DAS 7:30H ÀS 16:30H)

 info@aosom.pt.

IMPORTADOR:
SPANISH AOSOM, S.L
C.ROC GROS N.15, 08550. ELS HOSTALETES DE BALENYÀ
WWW.AOSOM.PT

Wenn Sie Fragen haben, wenden Sie sich bitte an unser Kundendienstzentrum.

DE

Unsere Kontaktdaten stehen unten:

 0049-0(40)-88307530  service@aosom.de

ADRESSE DES IMPORTEURE:

MH Handel GmbH
Wendenstraße 309
D-20537 Hamburg
Germany
IN CHINA HERGESTELLT

In caso di dubbio, si prega di contattare il nostro centro assistenza clienti.

IT

I nostri dettagli di contatto sono di seguito:

 0039-0249471447  clienti@aosom.it


IMPORTATO DA:

AOSOM Italy srl
Centro Direzionale Milanofiori
Strada 1 Palazzo F1
20057 Assago (MI)
P.I.: 08567220960
FATTO IN CINA

If you have any questions, please contact our customer care center.

UK

Our contact details are below:

 0044-800-240-4004


 enquiries@mhstar.co.uk

IMPORTER ADDRESS:
MH STAR UK LTD
Unit 27, Perivale Park,
Horsenden lane South
Perivale, UB6 7RH
MADE IN CHINA

Si vous avez la moindre question, veuillez contacter notre centre d'assistance à la clientèle.

FR

Nos coordonnées sont les suivantes:

 0033-1-84166106

 aosom@mhfrance.fr

Importé par:
MH France
2, rue Maurice Hartmann
92130 Issy-les-Moulineaux
France
Fabriqué en Chine