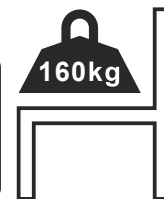
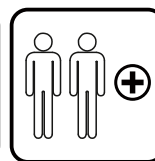
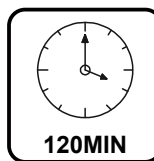
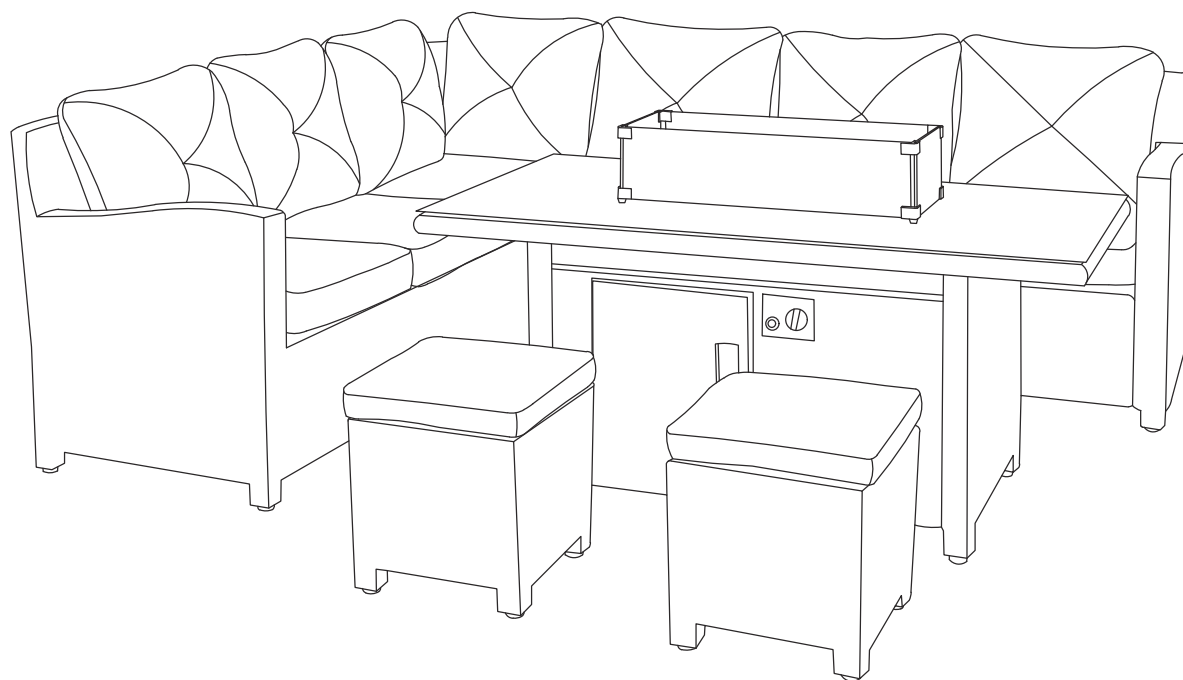




IN231200041V02\_UK

**860-170**

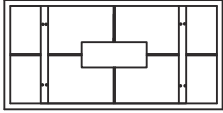
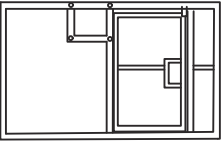

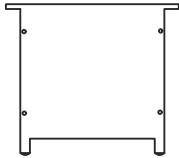
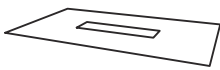
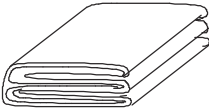



IMPORTANT, RETAIN FOR FUTURE REFERENCE: READ CAREFULLY


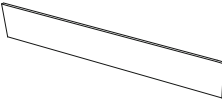
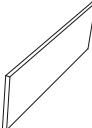

# ASSEMBLY INSTRUCTIONS

# PACKING DETAILS: TOTAL 3 BOXES


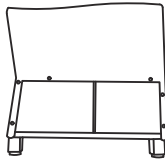




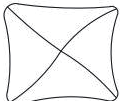
## BOX-1/3

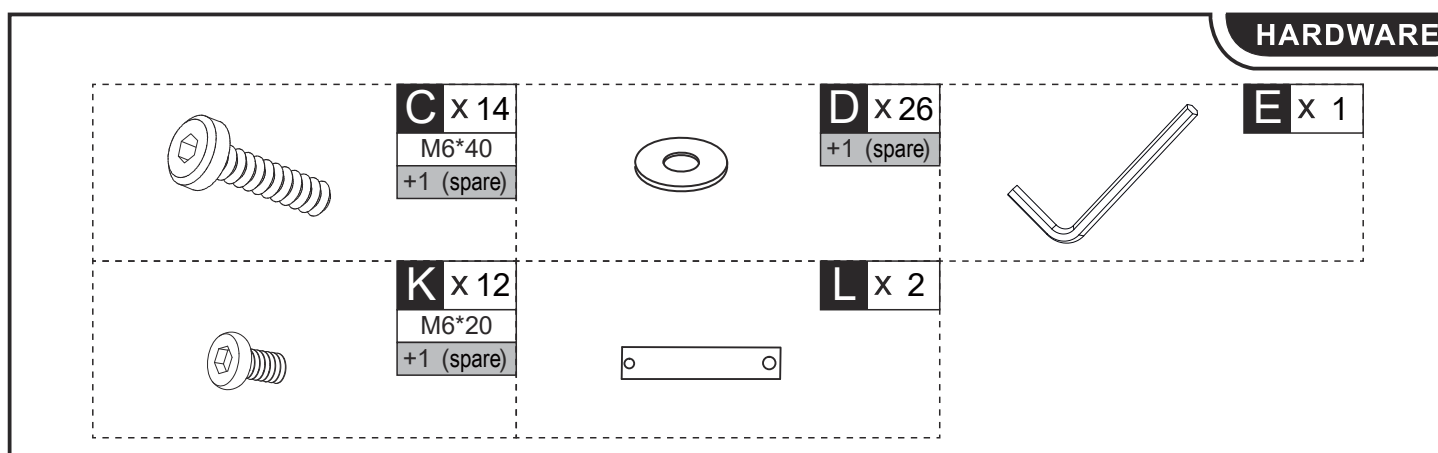
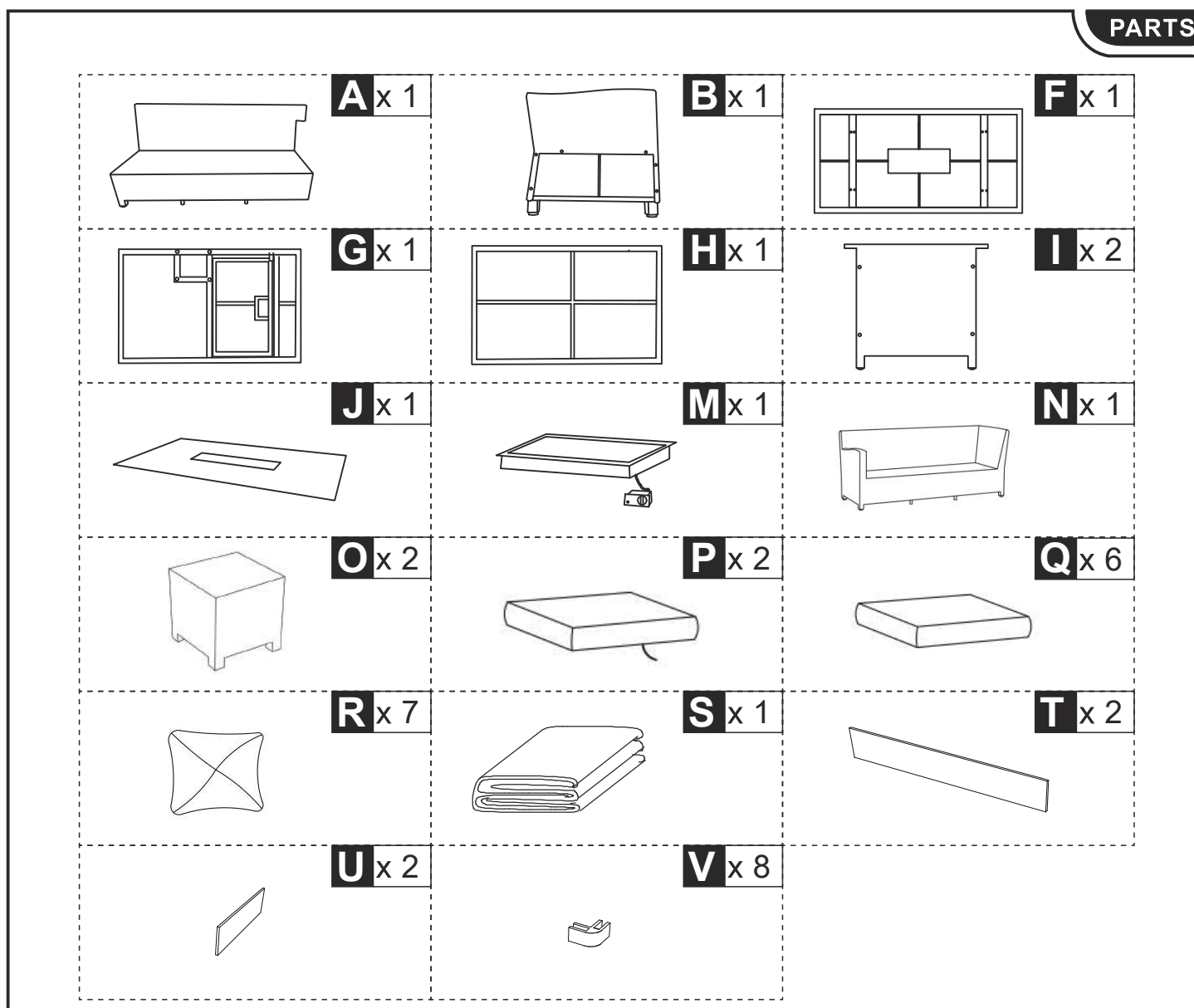
NO.	PARTS	QTY
F		1
G		1
H		1
I		2
J		1
S		1
 Hardware Kit		

## BOX-2/3

NO.	PARTS	QTY
M		1
T		2
U		2
V		8

## BOX-3/3

NO.	PARTS	QTY
A		1
B		1
N		1
O		2
P		2
Q		6
R		7



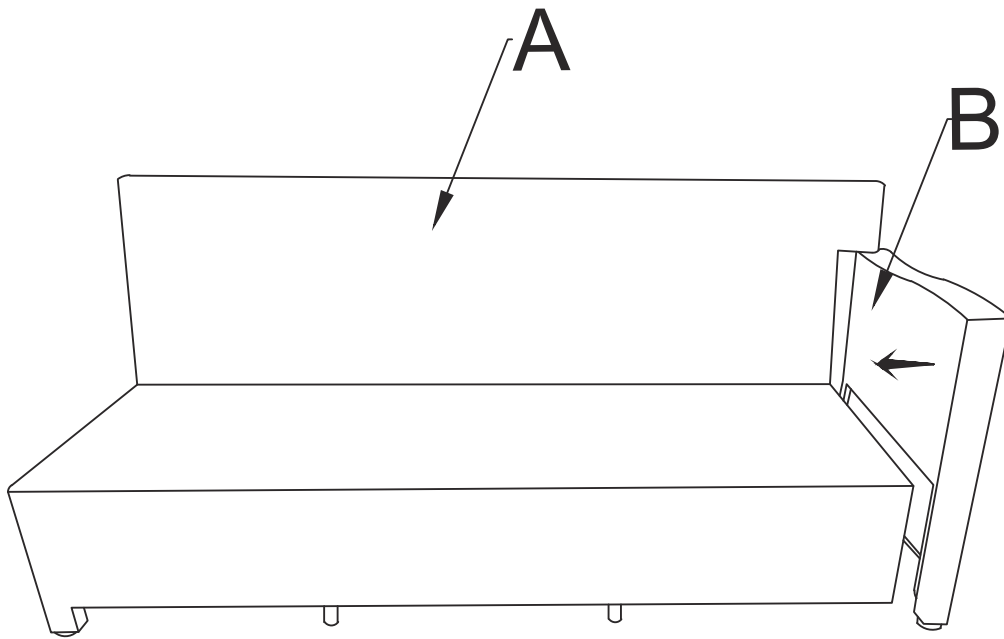
### Operation Instructions

- Please confirm that all components are present before beginning assembly.
- For the protection of your furniture, place all parts on a clean and smooth surface to prevent any damage.
- Please assemble the furniture by 2 persons or more.
- Do not confuse similar screws.
- Do not tighten bolts fully until all parts are connected!
- Please periodically check all fitting and re-tighten as necessary.

A x1

B x1

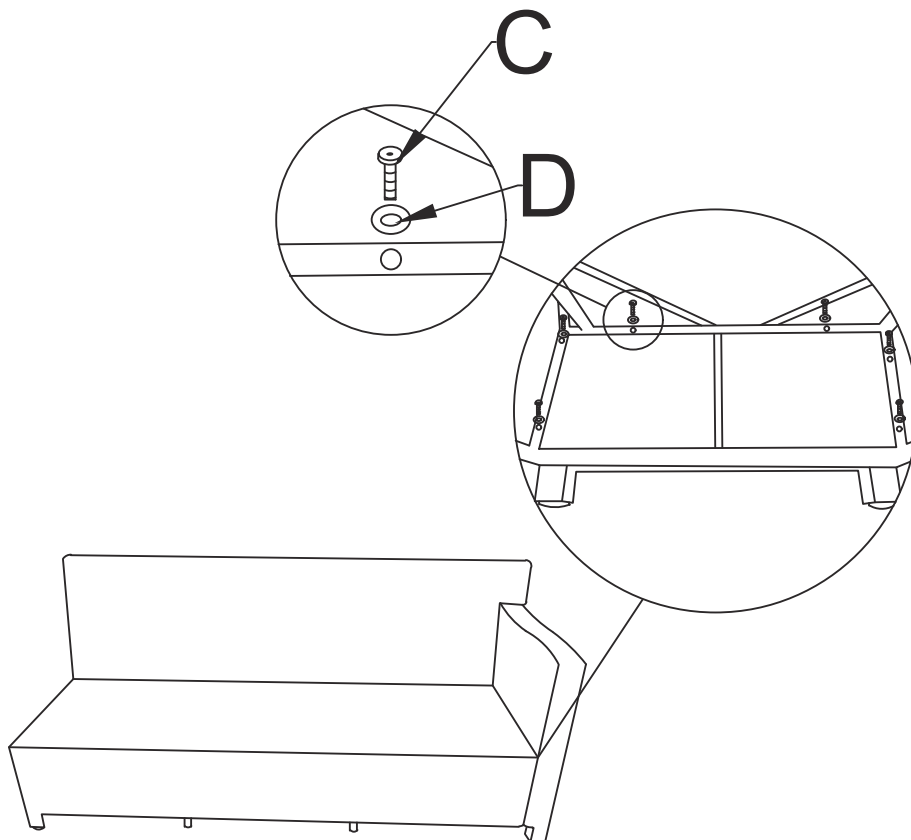
01



C x6

D x6

02



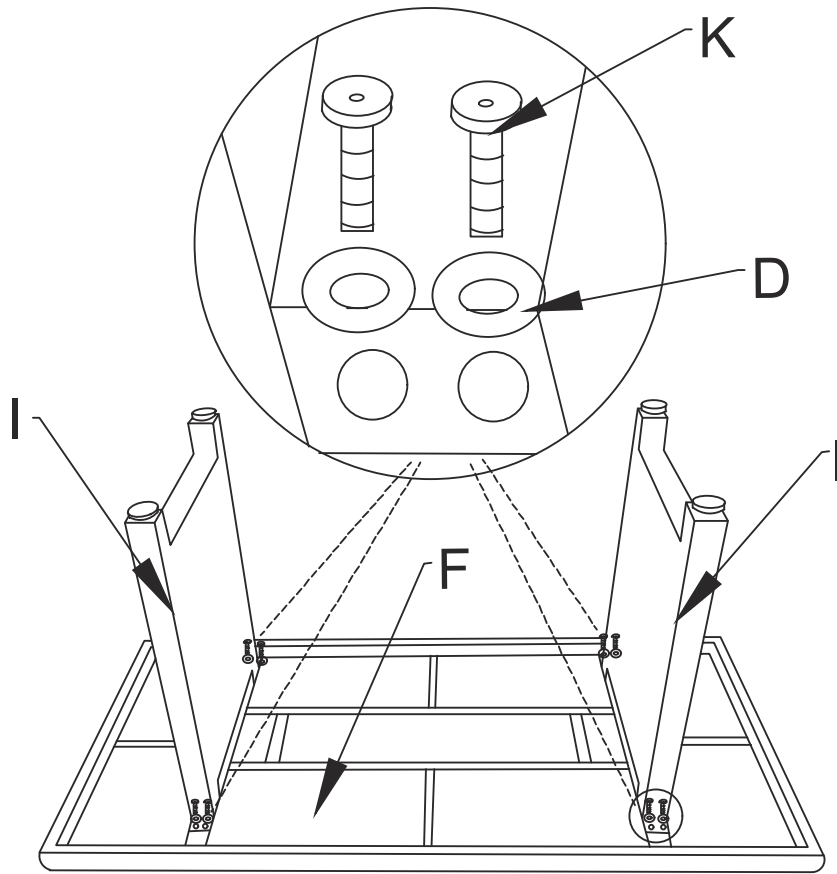
F x1

I x2

K x8

D x8

03

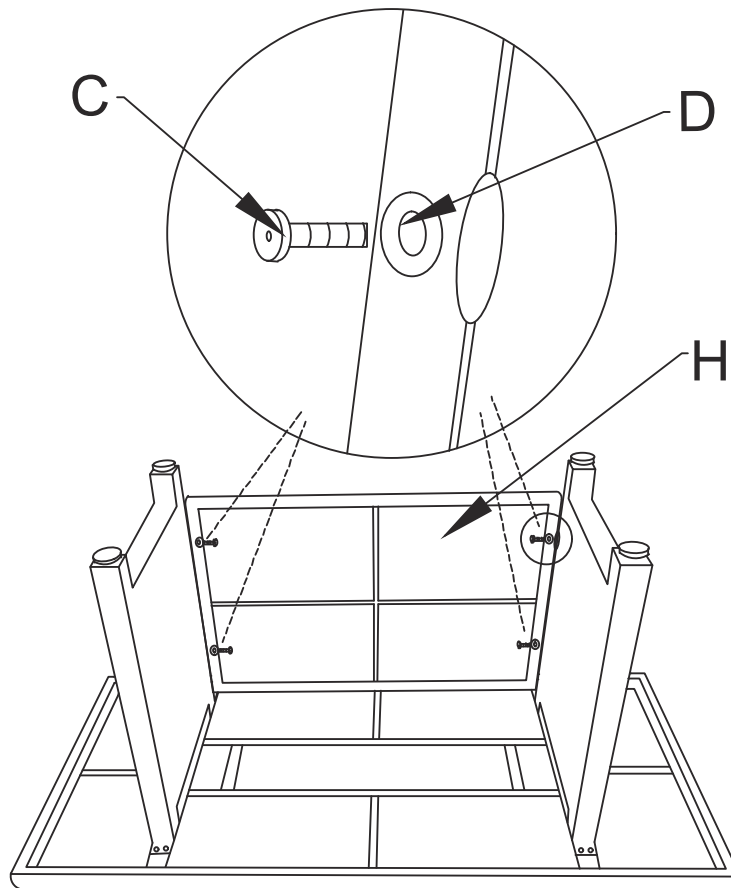


H x1

C x4

D x4

04

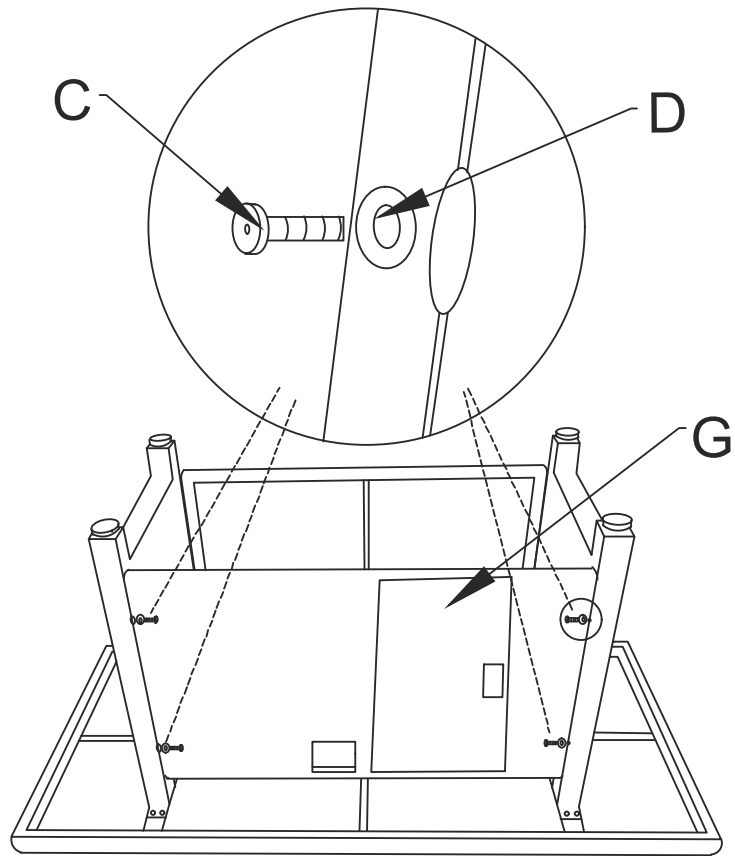


G x1

C x4

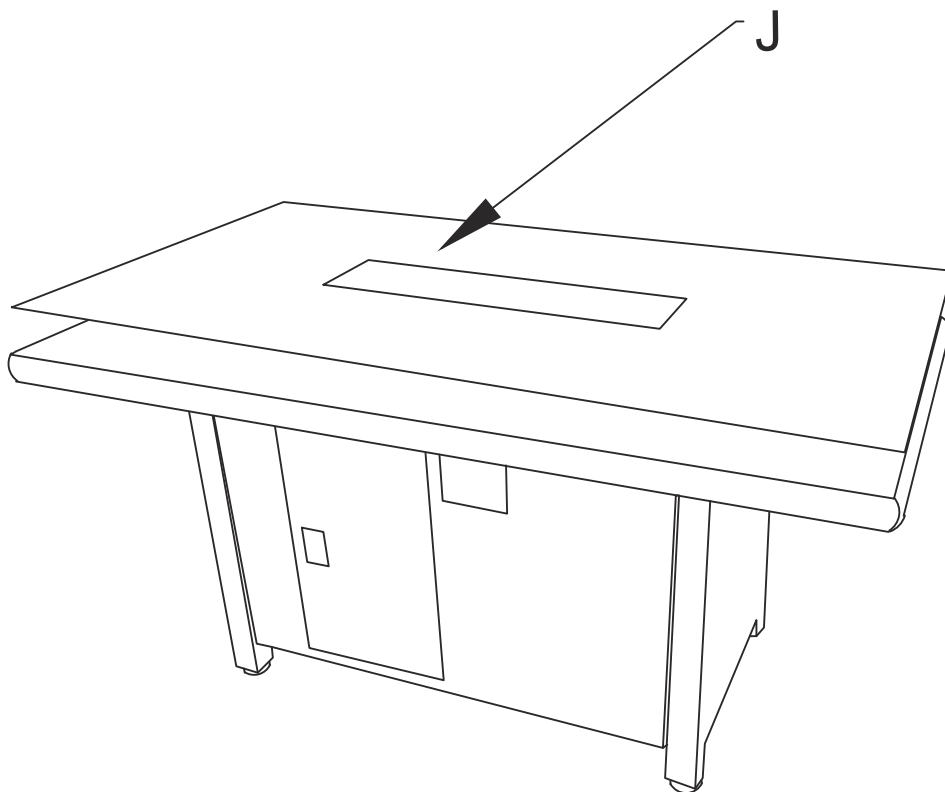
D x4

05



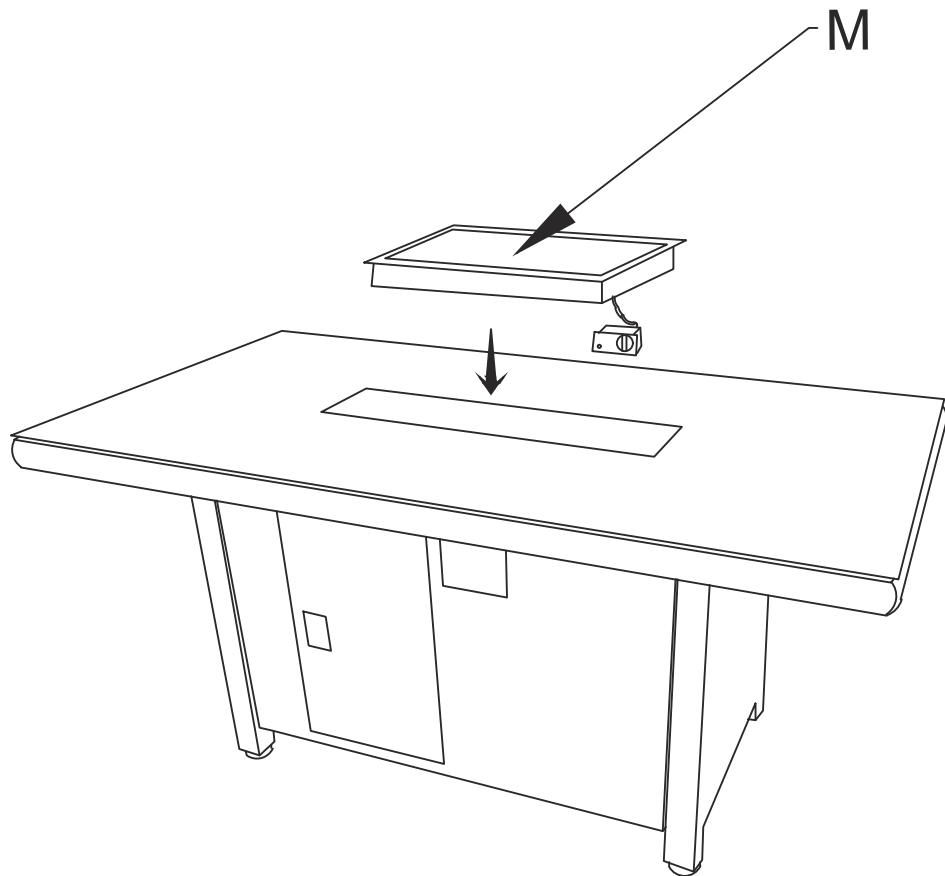
J x1

06



M x1

07

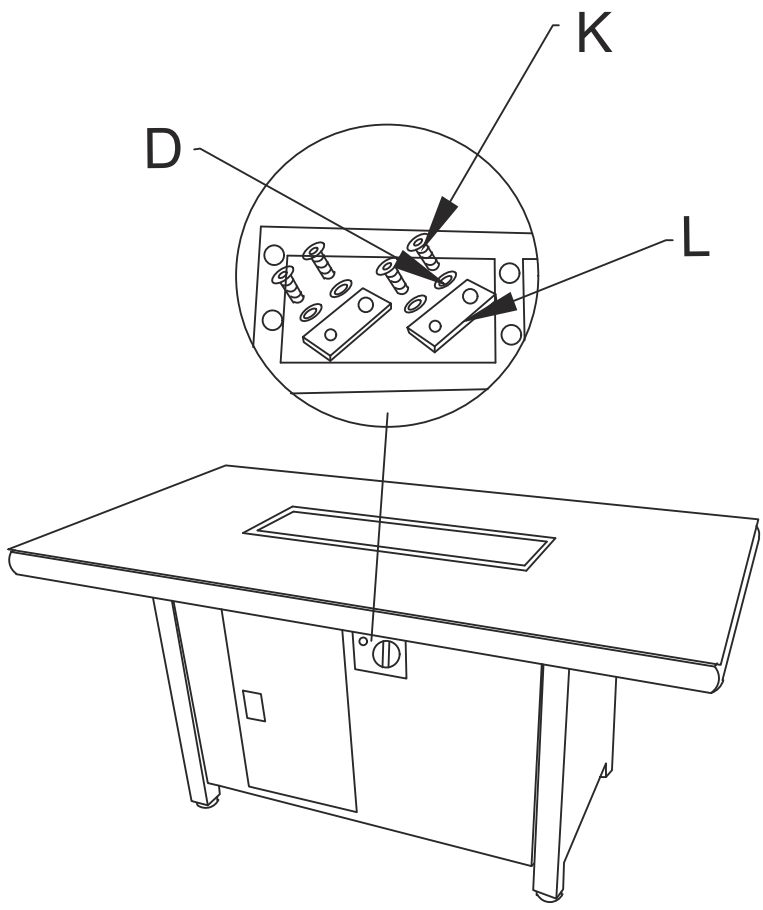


L x2

K x4

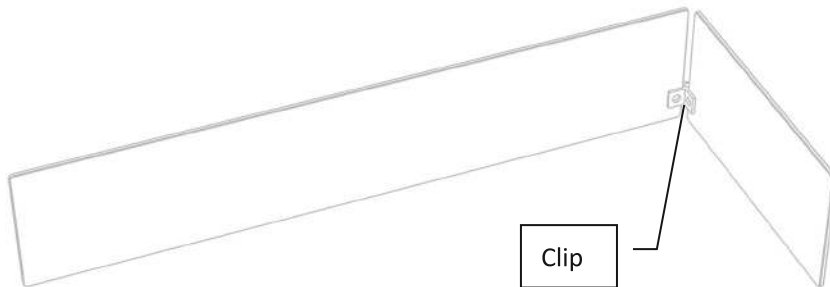
D x4

08

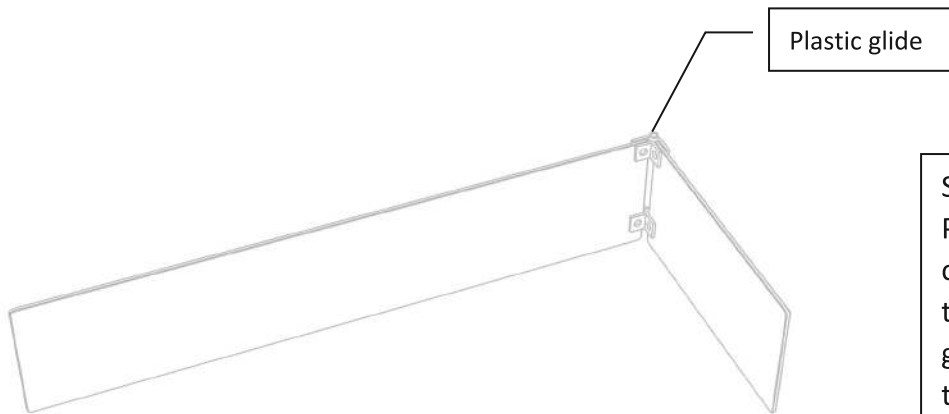


## RECTANGULAR FIRE PIT GLASS WINDSHILED

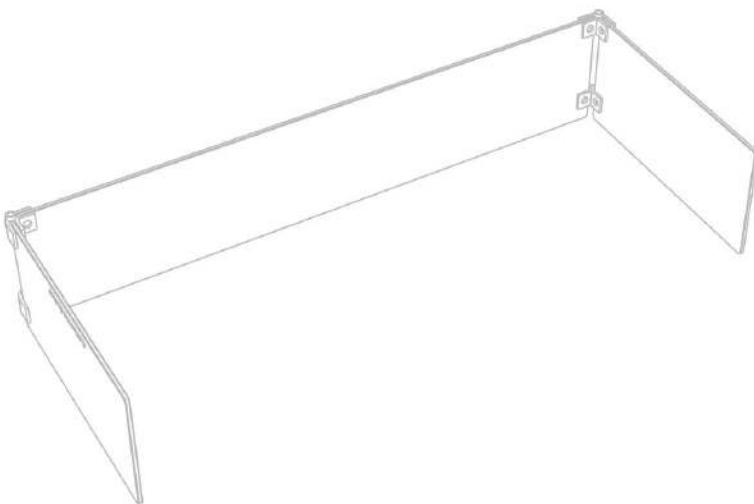
### ASSEMBLY INSTRUCTION



**Step 1:**  
Connect two pieces glasses together with provided clip.

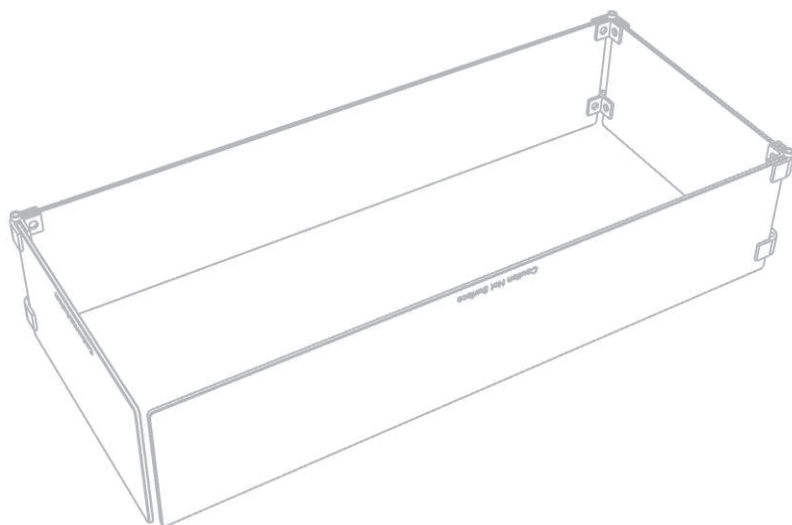


**Step 2:**  
Put the plastic glide into a clip and install the clip to the bottom of the two glasses as shown. Secure the clip position with the screws.

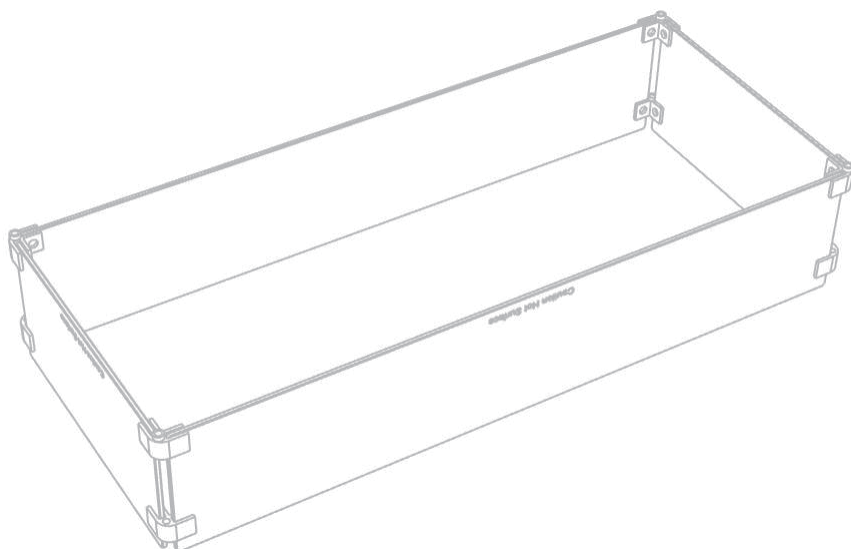


**Step 3:**  
Follow Step 1 and 2 to install the third piece of glass. Secure the position with the screws but do NOT tighten the screws.

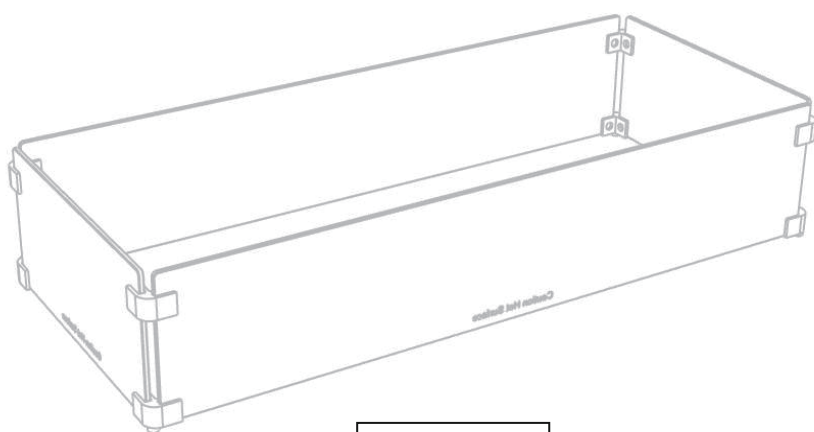


**Step 4:**

Follow Step 1 and 2 to install the fourth piece of glass. Secure the position with the screws but do NOT tighten the screws.

**Step 5:**

Install the final two pieces of clips and plastic glides. Secure the position with the screws but do NOT tighten the screws.



Plastic glide

**Step 6:**

Adjust the glasses positions. Tighten all the screws and put the glass windshield upside-down, so the plastic glides are at the bottom. The glass windshield is now ready to use.

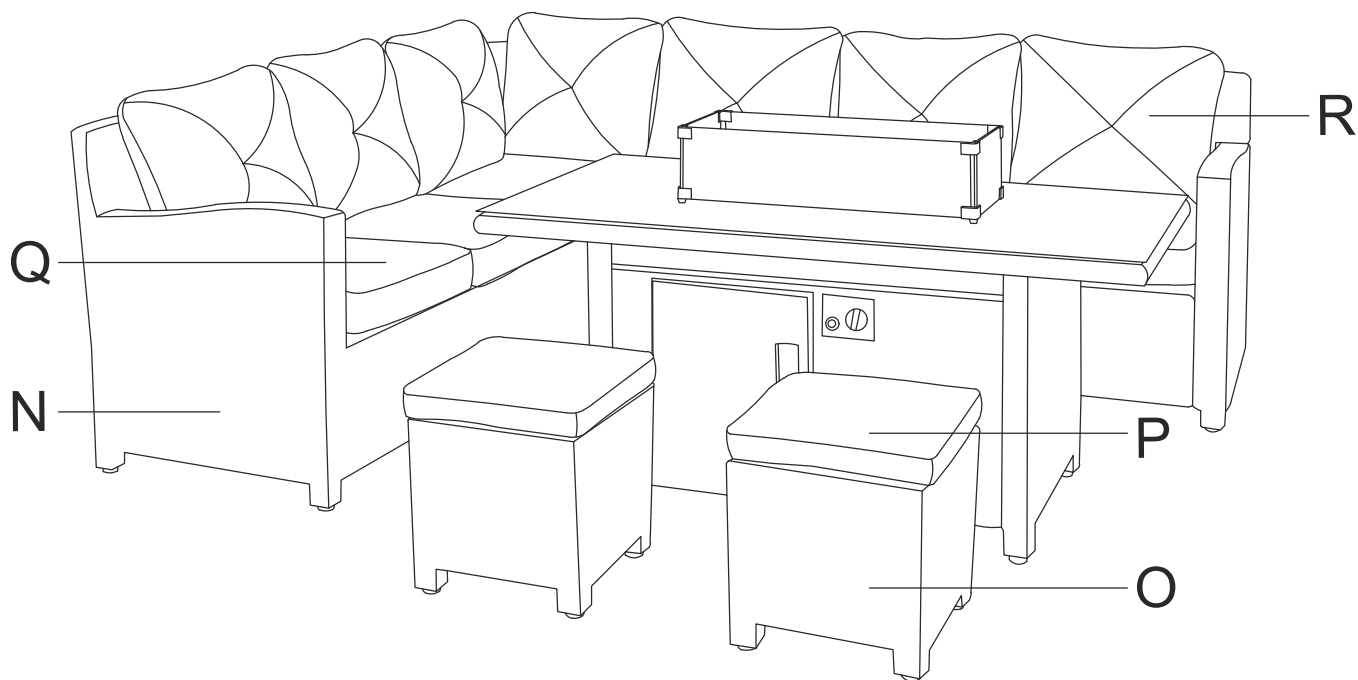
N x1

O x2

P x2

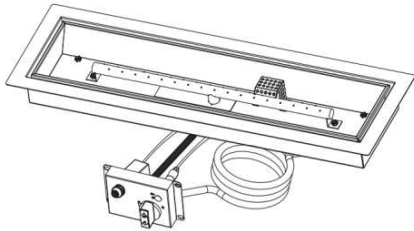
Q x6

R x7

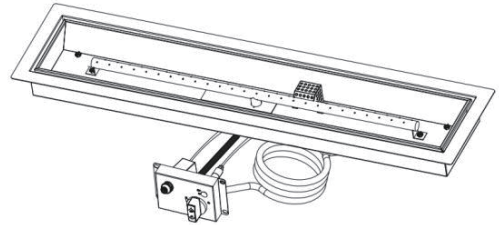


---

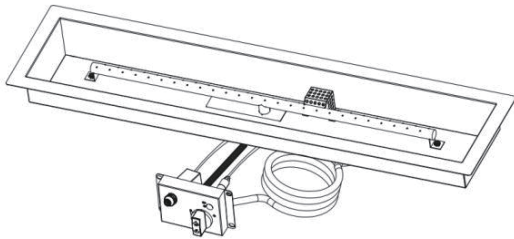
# OWNER'S MANUAL



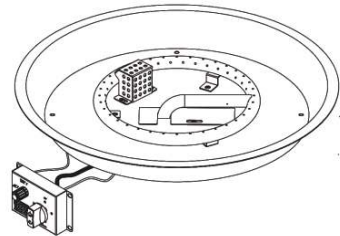
Ulc-PC60-H-E series



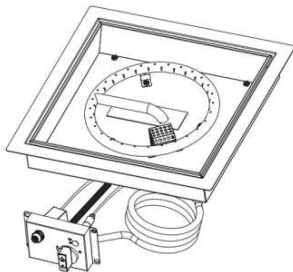
Ulc-PC70S-Y-E series & Ulc-PC101S-T-E series



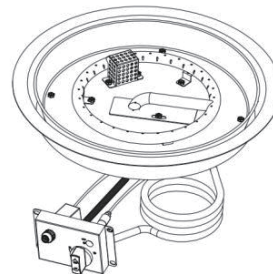
Ulc-PC70-Y-E series & Ulc-PC101-T-E series



Ulc-PY46-C-E series & Ulc-PY49-C-E series



Ulc-PZ42S-C-E series & Ulc-PZ42D-C-E series



Ulc-PY46S-C-E series

**This appliance is intended for decorative purposes**

**Warning: For Outdoor use only!**

**Not for domestic use!**

**Keep the instruction for future reference!**

**Read the instructions before installation and use!**

**For gas adjustment refers to Appliance Marking!**

**“These instructions are only valid if the country symbol appears on the instruction manual and on the appliance”**

## INDEX

SAFETY WARNINGS .....	page 3
gas (LPG) warnings.....	page 7
Technical data.....	page 10
Expanded View.....	page 11
Installation .....	page 21
Cconnecting gas circuit to LPG cylinder.....	page 22
Operating Instructions .....	page 23
Leakage Testing.....	page 23
Maintenance and Cleaning.....	page 24
Storage (after use) .....	page 25
Troubleshooting.....	page 26

## SAFETY WARNINGS



### WARNING:

- Do not modify the appliance;
- Do not move the appliance during use;
- Turn off the gas supply at the gas container after use
- Accessible parts may be very hot. Keep young children away
- The appliance should not be used in basements or below ground level.
- The appliance must only be used for space heating.



### WARNING:

**THIS APPLIANCE HAS A NAKED FLAME; A SUITABLE GUARD SHOULD BE USED FOR THE PROTECTION OF YOUNG CHILDREN, THE ELDERLY AND THE INFIRM.**



## DANGER



### CARBON MONOXIDE HAZARD

**This appliance can produce carbon monoxide which has no odor.**

**Using it in an enclosed space can kill you.**

**Never use this appliance in an enclosed space such as a camper, tent, car or home.**

**ATTENTION:** This appliance is fitted with flexible gas rubber pipe and clamps that must be used; never use different kind and always according to the National Rules in force of the country of destination.

These components should be periodically substituted, according to the date reported on the body of each of them, or according to the National Rules in force of the country of destination.

Gas regulator and LPG cylinder are not included and have to be bought according to LPG compartment shape and cylinder support.



### WARNING:

**Failure to heed the Dangers, Warnings and cautions contained in this Owner's Manual may result in a serious explosion causing damage to property, bodily injury.**

---

## GENERAL WARNINGS FOR OUTDOOR USE ONLY

### Warning -For your safety

- If the information in this manual is not followed exactly, a fire or explosion may result causing property damage, personal injury or loss of life.
- **IMPORTANT NOTICE:** read and understand all warnings and precautions prior to assembly and use for your built in burner.
- **DANGER: Failure to follow the dangers, warning and cautions in this manual may cause a fire or explosion causing damage to property, serious bodily injury or death.**

- Minimum Clearance From Unit To Combustible Material:

**72" (182.9cm) from the top; 36" (91.5cm) from all sides and back.**

Do not locate this appliance under over-head unprotected combustible surfaces.

#### **IF YOU SMELL GAS:**

**1. Shut off gas supply to the burner.**

**2. Extinguish any open flame.**

**3. Do not try lighting any appliance.**

**4. Do not touch any electrical switch nor use any phone in your building.**

**5. Immediately call your gas supplier from a neighbor's phone.**

**6. Follow the gas supplier's instructions.**

**7. If you cannot reach your gas supplier, call the fire department.**

- Never Improper installation, adjustment, alteration, service or maintenance can cause injury or property damage. Read the installation, operation and maintenance instructions thoroughly before installing or servicing this equipment.
- Keep these instructions for future reference. If you are assembling this unit for some-one else, give this manual to him or her to read and keep for future reference.
- This gas fireplace should ONLY be used outdoors in a well-ventilated space and should NOT be used inside a building, garage, or any other enclosed area.
- Do NOT use this outdoor gas burner for indoor heating. TOXIC carbon monoxide fumes can accumulate and cause asphyxiation.
- Never LEAVE this gas burner unattended when in use.
- Children and adults should be alerted to the hazards of high surface temperatures and kept at a safe distance while fireplace is in use.
- Do NOT operate light or use this burner system within 8 feet of walls, structures or building.
- Storage of this burner system indoors is permissible only if it has been disconnected from its fuel supply (LP gas cylinder).
- Gloves are strictly recommended to be used while moving this appliance, to protect your hands.
- Any sealed parts by Manufacture or his agent cannot be altered by the user
- Do not store or use gasoline or other flammable vapors and liquids within 25 feet (7.62m) of this or any other appliance.
- Do NOT store any combustible materials in the base enclosure.
- The use of alcohol, prescription or non-prescription drugs may impair an individual's ability to properly

---

assemble or safely operate this burner system.

- Do not use in an explosive atmosphere. Keep gas burner system area clear and free from combustible materials, gasoline and other flammable vapors and liquids.
- This outdoor burner system is NOT to be operated by children. Young children should be closely supervised when in the vicinity of this outdoor burner system.
- This outdoor burner system is not to be installed or used in or on recreation vehicles and/or boats.
- Always use in accordance with all applicable local, state and national codes. Contact your local fire department for details on outdoor fires.
- Use the same precautions you would with any open fire with this outdoor burner system.
- Do NOT burn solid fuels such as: wood, charcoal briquettes, lump charcoal, manufactured logs, driftwood, trash, leaves, paper, cardboard, plywood, painted or stained or pressure treated wood in this outdoor burner system.
- Do NOT alter this outdoor fireplace in any manner.
- Do NOT use this outdoor burner system until it is COMPLETELY assembled and all parts are securely fastened and tightened.
- Do NOT store another LP gas tank within 10 feet (3.05 m) of this outdoor burner system while it is in operation.
- Do NOT use this outdoor burner system near automobiles, trucks, vans or recreational vehicles.
- Do NOT use this outdoor burner system under any overhead or near any unprotected combustible materials. Avoid using near or under overhanging trees and shrubs.
- Always use this outdoor burner system on a hard, level, non-combustible surface such a concrete, rock or stone. An asphalt or blacktop surface may not be acceptable for this purpose.
- Do NOT use this outdoor burner system if any part has been under water. Immediately call a qualified service technician to inspect the burner system and to replace any part or control system and any gas control which has been under water.
- Do NOT wear flammable or loose clothing when operating this outdoor burner system.
- Do NOT use in windy conditions.
- Keep all electrical cords away from a hot outdoor burner system.
- Certain areas of this outdoor burner system will become too hot to touch during and after use. Do not touch hot surfaces until the unit has cooled unless you are wearing protective gear such as insulated pot holders or heat resistant gloves or mittens to avoid burns.
- Children and adults should be alerted to the hazards of high surface temperatures and should stay away to avoid burns or clothing ignition.
- Do NOT hang or place clothing or other flammable materials on or near the gas burner system.
- Any guard or other protective device removed for servicing the burner system must be re-placed prior to operation.
- Do NOT attempt to move or store this outdoor burner system until all parts are cool.
- Do NOT lean over this outdoor burner system when lighting or when in use.
- Use only the regulator and hose assembly provided. Use only replacement regulator and hose assemblies specified by the manufacturer.
- Storage of this outdoor burner system indoors is permissible only if the tank is disconnected, removed from

---

the outdoor burner system and properly stored outdoors.

- Do not attempt to disconnect the gas regulator from the tank or any gas fitting while the outdoor burner system is in use.
- Always shut off gas supply at the tank valve and disconnect regulator from the tank when the burner system is not in use.
- Do NOT sit on the mantle when the unit is in operation.
- Do not throw anything onto the fire when the unit is in operation.
- Lava rocks are very hot; please keep children or pets away at a safe distance.
- It is essential to keep the outdoor burner system valve compartment, burners, and circulating air passages clean. Inspect outdoor burner system for debris before each use.
- Prior to each gas burner system operation, check the hose for evidence of excessive abrasion or wear by looking through the visual check hole. If the hose is damaged, cut or cracked, it must be replaced before using the gas burner system. The hose assembly can only be replaced by a hose assembly specified by the manufacturer.
- Before each use, remove the lava rocks. Examine the burner and its components. If dirty, clean with a soft brush and soapy water solution. Also examine the area around the burner. Any dirt or foreign material, such as spider webs or nests in this area should be removed. If it is evident that the burner is damaged, it must be replaced before the gas burner system is used.
- The burner assembly can only be replaced by a burner specified by the manufacturer. Place the hose out of the pathways where people may trip over it.
- Do Not cross the hose between outdoor burner system and the propane tank.
- **WARNING: When the national conditions require it, it's necessary to change the flexible tube.**



---

## **GAS (LPG) WARNINGS**

- LP gas is flammable and hazardous if handled improperly. Please review the characteristics before using any LP gas product.
- Propane Characteristics:
- Flammable, explosive under pressure, heavier than air, and settles in pools in low areas. In its natural state, propane has no odor. For your safety, an odorant is typically added. Contact with propane could burn the skin.
- Propane is extremely flammable and hazardous if handled improperly.

### **LP GAS WARNINGS:**

- Cylinders must be stored outdoors in a well-ventilated area out of reach of children.
- Disconnected cylinders must have threaded valve plugs tightly installed and must
- not be in a building, garage or any other enclosed area.
- Never use a propane cylinder with a damaged body, valve, collar or footing.
- Dented or rusted propane cylinders may be hazardous and should be checked by your propane gas supplier.
- LP gas tank must be arranged for vapour withdrawal.
- The LP gas tank must have a tank collar to protect the tank valve.
- Never use an LP gas tank with a damaged body, valve, collar, or footing. Dented or rusted LP gas tanks may be hazardous and should be checked by your LP gas supplier prior to use.
- The LP gas tank should not be dropped or handled roughly.
- Tanks must be stored outdoors out of the reach of children. Do NOT store in a building, garage, or any other enclosed area.
- Never store your LP gas tank where temperatures can reach over 125°F.
- Do not store the LP gas cylinder in direct sunlight or near a source of heat or combustion.
- Never keep a filled LP gas tank in a hot car or car trunk. Heat will cause the gas pressure to increase, which may open the relief valve and allow gas to escape.
- Place dust cap on valve outlet whenever the LP gas tank is not in use. Only install the type of dust cap on the LP gas tank valve outlet that is provided with the LP gas tank valve. Other types of caps or plugs may result in leakage of propane.
- Do not store a spare LP gas cylinder under or near this appliance.
- Never fill the LP gas cylinder beyond 80% full.
- If the information in (a) and (b) is not followed exactly, a fire causing death or serious injury may occur.
- LP gas cylinders should be filled only by a certified LP gas dealer.
- the pressure regulator is set for 28-30mbar
- Regulator outlet pressure is 28~30mbar
- Never attempt to attach this appliance to the self-contained LP gas system of a camper trailer, motor home or house.
- Always use the pressure regulator and hose assembly provided with the appliance to connect to a LP gas cylinder. Never connect to an unregulated LP gas supply.
- Contact your retailer's customer service department for replacement parts.

- 
- Hand turn the manual gas control valve. Never use tools. If the valve will not turn by hand, do not try to repair it. Call a certified gas technician. The use of force or any self-attempted repair may result in a fire or explosion.
  - Use only the type of gas and the type of LPG cylinder specified by the manufacturer.
  - Appliance is fitted with gas regulator, flexible gas rubber pipe and clamps according to the National Rules in force of the country of destination.
  - Appliance must use an approved gas regulator (approved for a working temperature not lower than 50 °C) according to the EN Standard (see minimum, nominal and maximum pressure - gas regulator inlet and outlet connection according to the National Rules in force) and flexible gas hose according to EN Standard (with proper inner diameter according to gas inlet connection and National Rules in force) with a length not over 1.5 m and approved for a working temperature not lower than 60 °C. When substitution will be necessary, you have to purchase suitable gas regulator, flexible gas rubber pipe and clamps from your local gas dealer; gas regulator should be substituted not over 10 years.
  - Flexible gas rubber pipe must be carefully, avoiding any twisting. Never use a damaged gas regulator.
  - Never connect this appliance to an unregulated LPG source (gas regulator is mandatory to be used).
  - When the appliance is not in use, turn the LPG cylinder in “OFF” position.
  - Always perform a leakage test on gas connections whenever a LPG cylinder is connected. If bubbles form in Flexible gas rubber pipe must be located in the LPG compartment carefully, avoiding any twisting.
  - Never use a damaged gas regulator.
  - Always perform a leakage test on gas connections whenever a LPG cylinder is connected. If bubbles form in the leakage test solution, do not use it. Never use a flame to test for leakages. **It is strictly forbidden and dangerous!**



1 "Maximum diameter or breadth:305mm.

2 "Maximum height (regulator included):390mm.

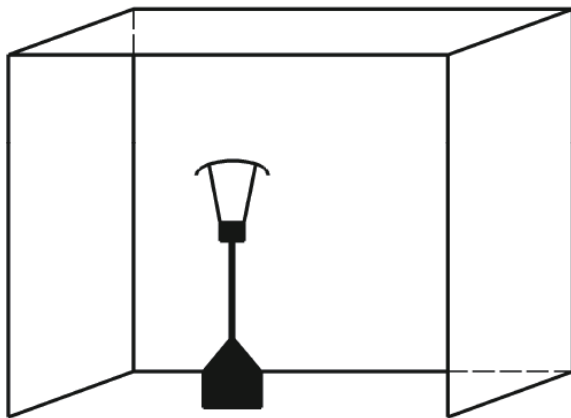
---

# WARNING


- (1) Do not obstruct the ventilation holes of the cylinder housing;
- (2) Close the gas supply at the valve of the gas cylinder or the regulator after use;
- (3) In the event of gas leakage, the appliance shall not be used or if alight, the gas supply shall be shut off and the appliance shall be investigated and rectified before it is used again;
- (4) Checking the tubing or the flexible hose (at least once per month and each time the cylinder is changed). If it shows signs of cracking, splitting or other deterioration it shall be exchanged for new hose of the same length and of the equivalent quality;
- (5) This appliance must be installed and the gas cylinder stored in accordance with the regulations in force;
- (6) Do not move the appliance when in operation;
- (7) Shut off the valve at the gas cylinder or the regulator before moving the appliance;
- (8) The tubing or the flexible hose must be changed within the prescribed intervals;
- (9) Use only the type of gas and the type of cylinder specified by the manufacturer;
- (10) In case of violent wind particular attention must be taken against tilting of the appliance;


This appliance shall be used ONLY outdoors in a well- ventilated space and shall NOT be used inside a building, garage, or any other enclosed area.

- 1) For use outdoors or in amply ventilated areas.
- 2) An amply ventilated area must have a minimum of 25% of the surface area open.
- 3) The surface area is the sum of the walls surface.



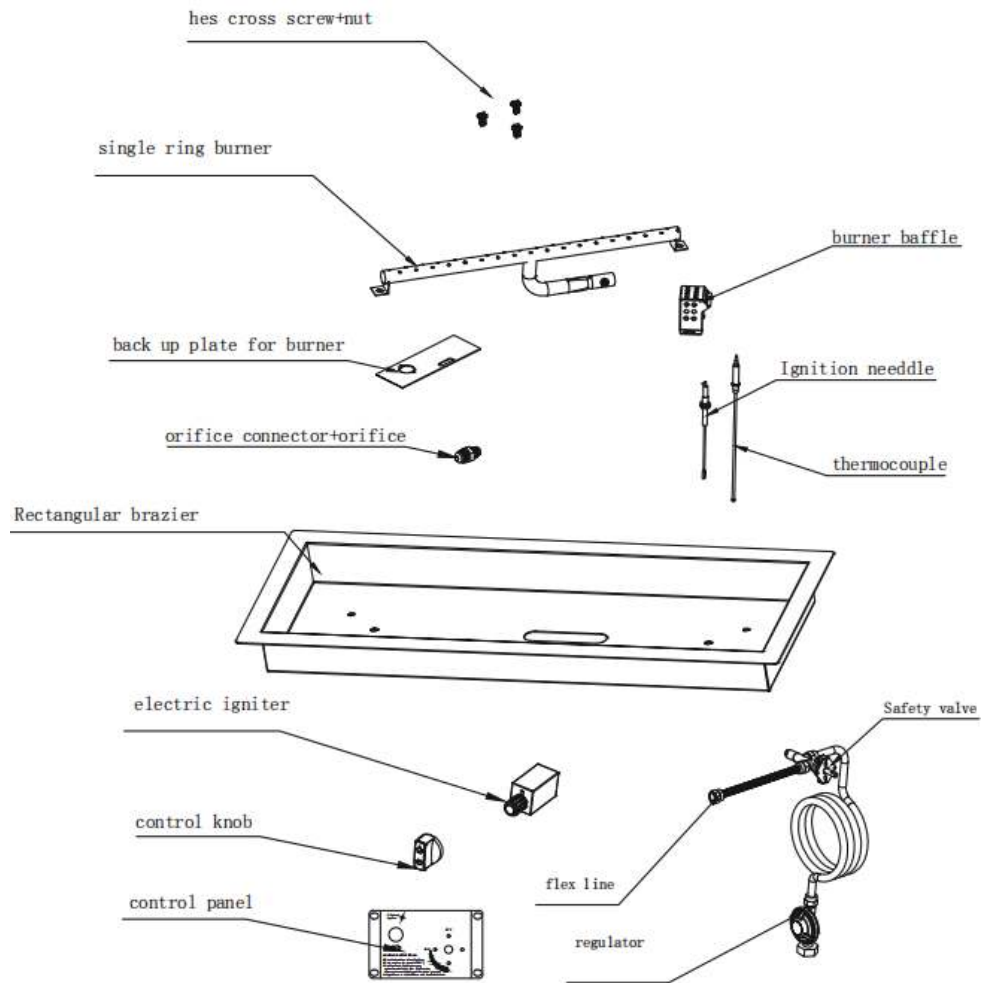
TECHNICAL DATA

 0063-21 <b>PIN NO:</b> 0063CR7787	Product Name: Built In Burner		
	Model No: Ulc-PC70-Y-E series Ulc-PC101-T-E series Ulc-PY46-C-E series Ulc-PY49-C-E series Ulc-PC60-H-E series Ulc-PC70S-Y-E series Ulc-PC101S-T-E series Ulc-PZ42S-C-E series Ulc-PY46S-C-E series Ulc-PZ42D-C-E series		
Appliance category	I 3B/P(30)	I3+(28-30/37)	
Gas type/Gas Pressure	G30 Butane and G31 Propane at 30mbar	G30 Butane at 28-30mbar	G31Propane at 37mbar
Heat input	13KW / 16KW		
Injector Size	1.77mm /2.05mm		
Destination countries	NL,LU,NO,BE,GB, FR,ES,IS,SE,TUR,IE,PO,IT		
Manufacturer Name:	Dongguan City Ule-cooker Outdoor Leisure Products Co.,Ltd		
Manufacturer Address:	No.3 Yangwu Industry Park, Dalingshan Town, Dongguan City, Guangdong, China		

 0063-21 <b>PIN NO:</b> 0063CR7787	Product Name: Built In Burner		
	Model No: Ulc-PC70-Y-E series Ulc-PC101-T-E series Ulc-PY46-C-E series Ulc-PY49-C-E series Ulc-PC60-H-E series Ulc-PC70S-Y-E series Ulc-PC101S-T-E series Ulc-PZ42S-C-E series Ulc-PY46S-C-E series Ulc-PZ42D-C-E series		
Appliance category	I 3B/P(50)		
Gas type/Gas Pressure	G30 Butane and G31 Propane at 50mbar		
Heat input	13KW / 16KW		
Injector Size	1.59mm /1.81mm		
Destination countries	DE,AT,CH		
Manufacturer Name:	Dongguan City Ule-cooker Outdoor Leisure Products Co.,Ltd		
Manufacturer Address:	No.3 Yangwu Industry Park, Dalingshan Town, Dongguan City, Guangdong, China		

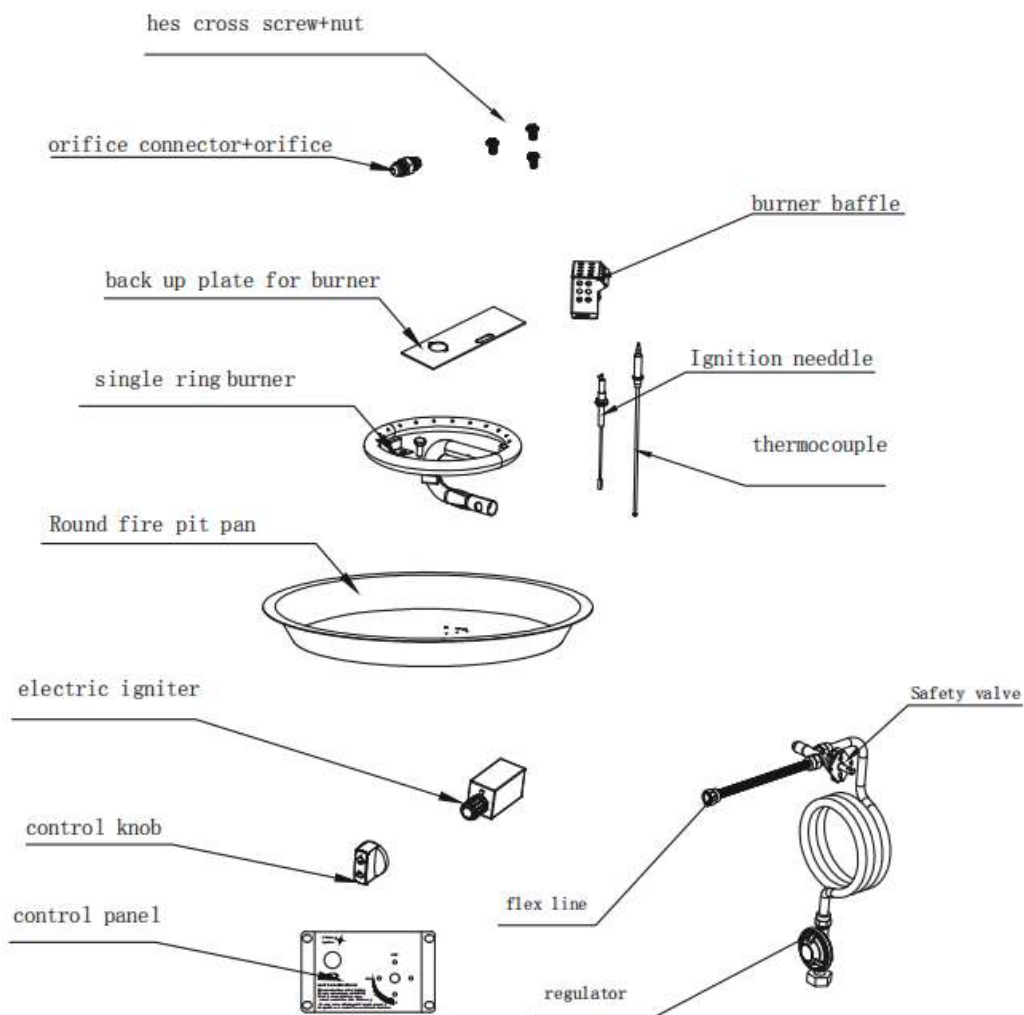
## EXPANDED VIEW

Rectangle burner system : Ulc-PC70-Y-E series & Ulc-PC101-T-E series



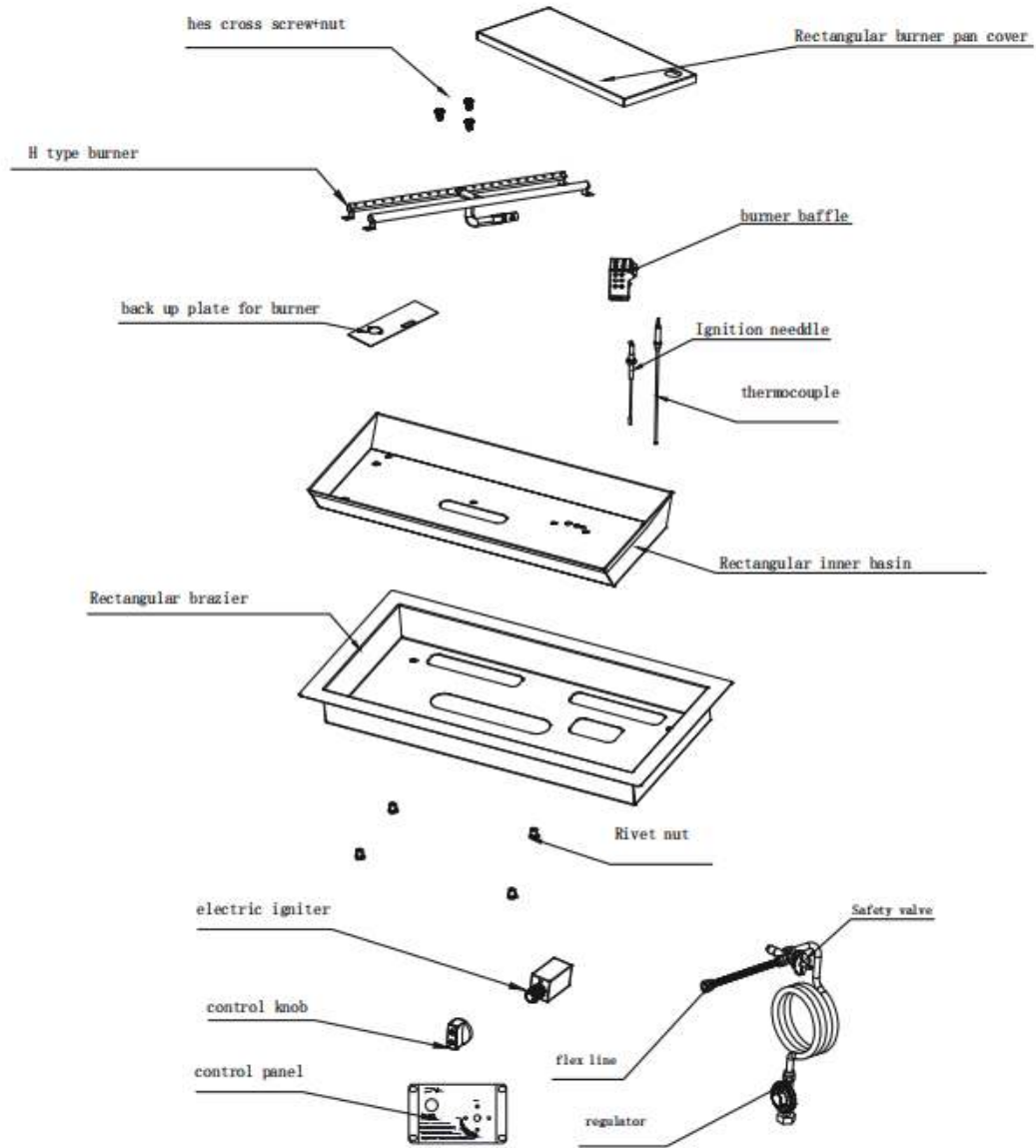
NO.	Parts name	QTY
1	Rectangle burner pan	1
2	Control panel	1
3	Burner baffle	1
4	Back up plate for burner	1
5	Burner	1
6	Safety valve	1
7	Orifice connector +orifice	1
8	Ignition needle	1
9	Electric igniter	1
10	Regulator	1
11	Flex line	1
12	Thermocouple	1
13	Control knob	1
14	Hes cross screw	3

Round burner system : Ulc-PY46-C-E series & Ulc-PY49-C-E series



NO.	Parts name	QTY
1	Round burner pan	1
2	Control panel	1
3	Burner baffle	1
4	Back up plate for burner	1
5	Burner	1
6	Safety valve	1
7	Orifice connector +orifice	1
8	Ignition needle	1
9	Electric igniter	1
10	Regulator	1
11	Flex line	1
12	Thermocouple	1
13	Control knob	1
14	Hes cross screw	3

Rectangle double layer burner system : Ulc-PC60-H-E series

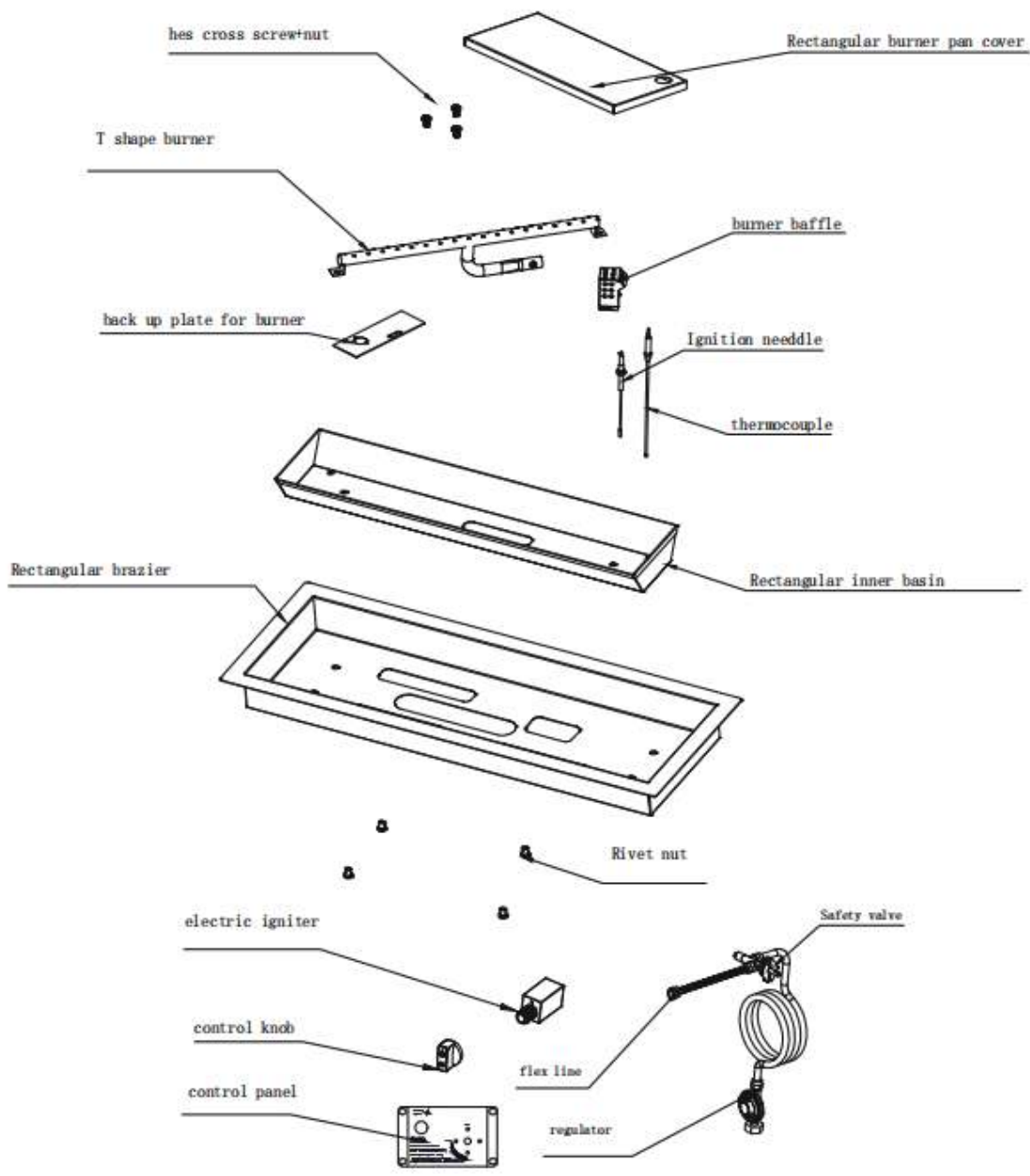


---

<b>NO.</b>	<b>Parts name</b>	<b>QTY</b>
1	Rectangle burner pan	1
2	Inner pan	1
3	Control panel	1
4	Burner baffle	1
5	Back up plate for burner	1
6	Burner	1
7	Safety valve	1
8	Orifice connector +orifice	1
9	Ignition needle	1
10	Electric igniter	1
11	Regulator	1
12	Flex line	1
13	Thermocouple	1
14	Control knob	1
15	Burner cover	1
16	Rivet nut	4
17	Hes cross screw	3



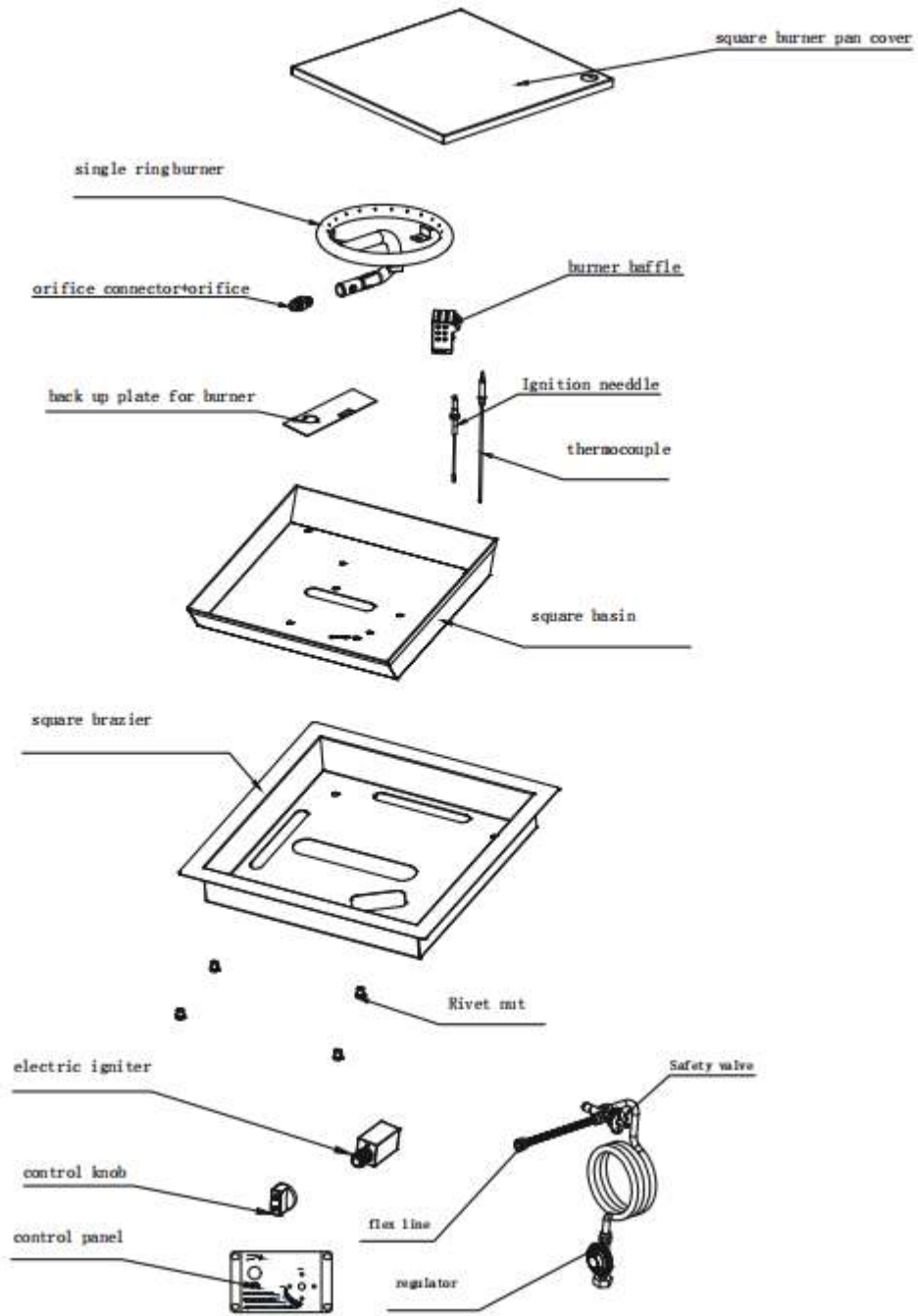
Rectangle double layer burner system : Ulc-PC70S-Y-E series &Ulc-PC101S-T-E series



---

<b>NO.</b>	<b>Parts name</b>	<b>QTY</b>
1	Rectangle burner pan	1
2	Inner pan	1
3	Control panel	1
4	Burner baffle	1
5	Back up plate for burner	1
6	Burner	1
7	Safety valve	1
8	Orifice connector +orifice	1
9	Ignition needdle	1
10	Electric igniter	1
11	Regulator	1
12	Flex line	1
13	Thermocouple	1
14	Control knob	1
15	Burner cover	1
16	Rivet nut	4
17	Hes cross screw	3

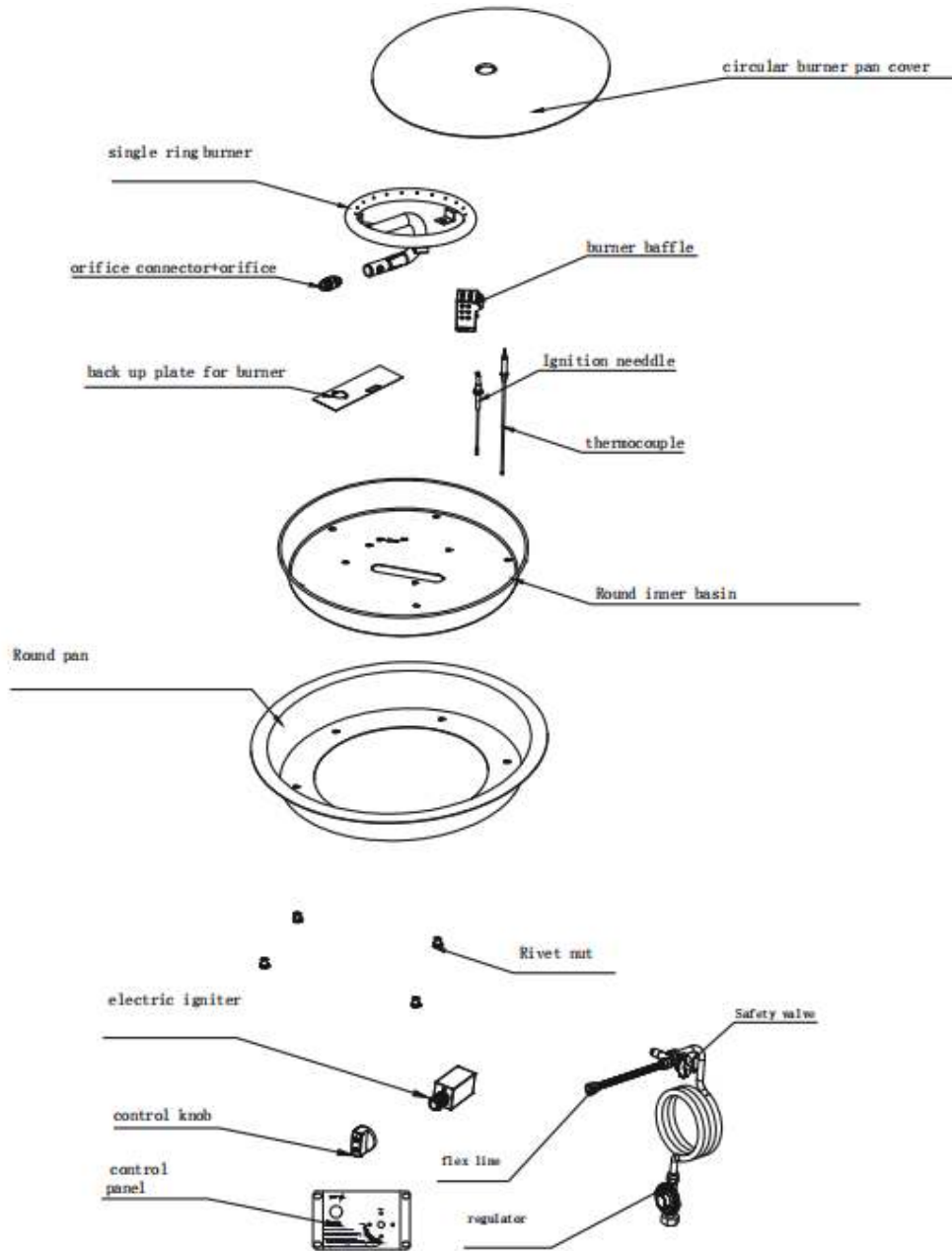
Square double layer burner system : Ulc-PZ42S-C-E series &Ulc-PZ42D-C-E series



---

<b>NO.</b>	<b>Parts name</b>	<b>QTY</b>
1	Square burner pan	1
2	Inner pan	1
3	Control panel	1
4	Burner baffle	1
5	Back up plate for burner	1
6	Burner	1
7	Safety valve	1
8	Orifice connector +orifice	1
9	Ignition needle	1
10	Electric igniter	1
11	Regulator	1
12	Flex line	1
13	Thermocouple	1
14	Control knob	1
15	Burner cover	1
16	Rivet nut	4
17	Hes cross screw	3

Round double layer burner system : Ulc-PY46S-C-E series



NO.	Parts name	QTY
1	Round burner pan	1
2	Inner pan	1
3	Control panel	1
4	Burner baffle	1
5	Back up plate for burner	1
6	Burner	1
7	Safety valve	1
8	Orifice connector +orifice	1
9	Ignition needle	1
10	Electric igniter	1
11	Regulator	1
12	Flex line	1
13	Thermocouple	1
14	Control knob	1
15	Burner cover	1
16	Rivet nut	4
17	Hes cross screw	3

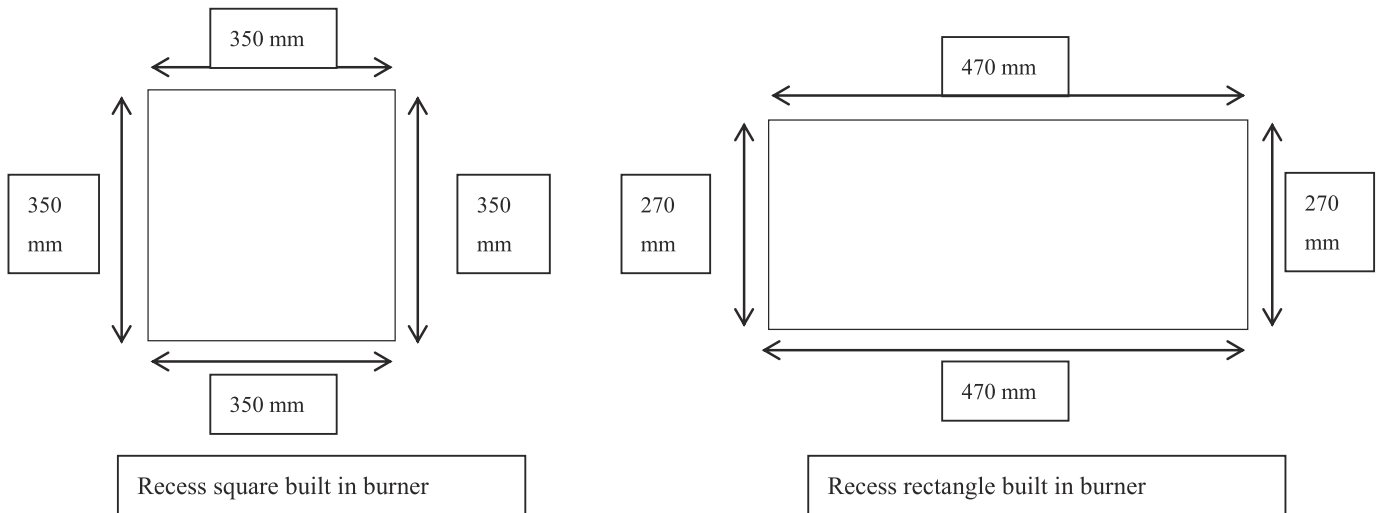
Item	Description	Quantity
Ulc-PC70-Y-E series    Ulc-PC101-T-E series    Ulc-PY46-C-E series Ulc-PY49-C-E series    Ulc-PC60-H-E series    Ulc-PC70S-Y-E series Ulc-PC101S-T-E series    Ulc-PZ42S-C-E series    Ulc-PY46S-C-E series	Built in burner	1pc
	Lava rocks	5 KGS
	AAA/AA Battery	1pc

## INSTALLATION

1. Get your built in burner carefully from its packaging. Select the location for your built in burner. The location must meet the following conditions:

- Make sure that the built in burner is placed on a unflammable surface. The surface should be completely flat and clean. The built in burner may not installed in materials who conduct the heat. Don't place the build in burner in steel, metal of glass surface
- The built in burner should be placed at least two meters away from flammable materials and liquids.

Make a recess in for example the garden table of a different place you are willing to install the insert burner



- Place the lava rocks on the burner and around the burner evenly ,then tight (see the picture 2)



( Picture 2)

- Unscrew the button cap of ignite, put a piece of AA/AAA battery into ignite compartment with anode outward, then screw the button cap(see picture 3)



(picture 3)

- Locate the hose out of the pathways where people may trip over it or in areas where the hose may be subjected to accidental damage.

**CAUTION:** Do not kink flexible gas hose. If it is kinked, a gas leak could occur

---

## Instruction for connecting gas circuit to LPG cylinder:

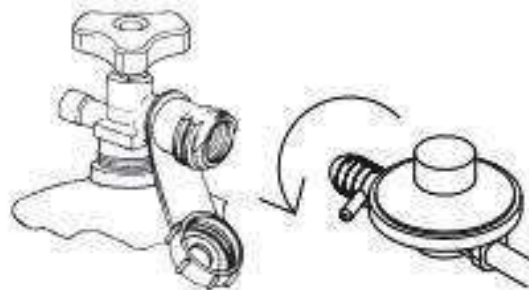
Keep at hand suitable crossed screwdriver, adjustable spanners, pliers and wrenches. Before assembly, make sure all protection packing material has been removed. Flexible gas hose(1763-1) and clamps (if necessary) are supplied with this appliance and must be used, according to National Rules in force. You need to purchase one gas regulator and one gas cylinder. The gas regulator has to be set according to specific gas category (see on page 2) and proper gas consumption (g/h) specification. The LPG cylinder should be standard one. Recommend to use 5 kg . Replacement must be that specified in "Gas Requirements" section of this Instruction Manual. Be careful: do not kink flexible gas rubber pipe of gas circuit. If pipe holder should not be provided, thread of the gas inlet connection will be in line with Standards ISO 7-1 or ISO 228-1, according to National Rules in force of the country of destination.

- Make sure appliance gas knob is turned "OFF" (full disk) before assembling (see below Figure4).



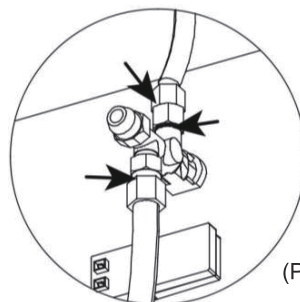
(Picture 4)

- Connect the regulator to LPG cylinder by hand. And Hand tighten only.(see below Figure 5)



(Picture 5)

- Connect the hose to the appliance and the regulator. Tighten the screw of the hose clamp with a screwdriver.(see below Figure 6)



(Picture 6)



## OPERATING INSTRUCTIONS

### Lighting

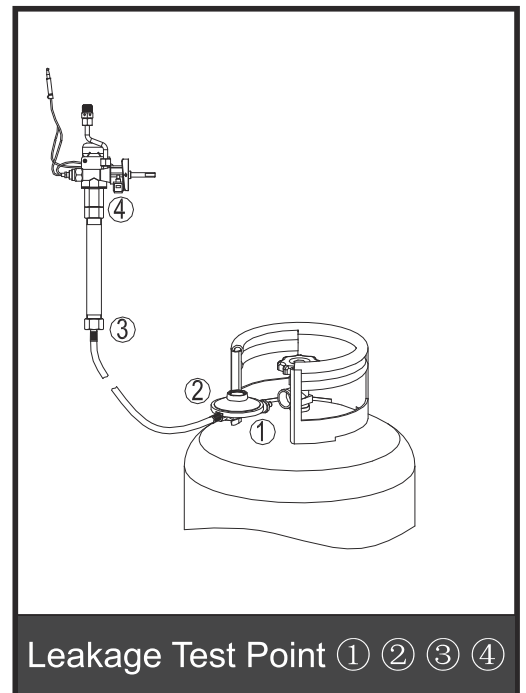
- Make sure the burner system is stable and in solid state .
- Remove the protective cover.
- Press the control button fully until you hear a slight ticking sound (this is the piezo ignition). If you hear nothing when pressing the ignition button, then you probably need to replace the battery. Hold the control knob pushed in when you open the gas supply. Turn the control knob to the right for gas supply. The burner should now ignite within 15 seconds . If the burner gives a completely flame, you hold the control knob for 15 seconds withheld . The flame continues to burn .Extinguishes the flame, try this again and hold the button longer retained .

## LEAKAGE TESTING

### Never check for gas leakages with a flame or while smoking.

This appliance needs to be periodically checked for leakages and an immediate check is required if the smell of gas is detected.

- Make a soap solution using 1 part of liquid dish-washing soap to 3 parts water. The soap solution can be applied with a soap bottle, brush, or rag to the leakage tested points shown in the figure beside.
- The valve of the LPG cylinder should be in the “OFF” position at this point of the leakage test. Once the soapy solution is applied to the gas connections, the valve of the LPG cylinder needs to be turned to the “ON” position.
- Soap bubbles will begin to form in the soapy solution if any leakage is present.
- In the event of gas leakage, the appliance shall not be used or if alight, the gas supply shall be shut-off and the appliance shall be investigated and rectified before it is used again. Tighten any leaking fittings, then turn on gas supply and recheck.
- If necessary, substitute gasket (according to EN 549 Class B2) or material used to guarantee tightness (according to EN 751-1 Class I).



---

## MAINTENANCE AND CLEANING

To enjoy years of outstanding performance from your appliance, regular services of the appliance is mandatory as followings:

- The appliance should be inspected before at least one time a year by a Qualified Service only. More frequent cleaning may be required according to the use of the appliance.
- Any guard or other protective device removed for servicing the appliance must be replaced before operating it.
- Keep exterior surfaces clean, free and clear from combustible materials.
- Use warm soapy water for cleaning. Never use flammable or corrosive cleaning agents.
- While washing your unit makes sure to keep the area around the burner assembly dry at all times. If the gas control is exposed to water in any way, **DO NOT** tries to use it. It must be replaced.
- Burner and LPG compartment circulating air passageways of the appliance must be kept clean.
- Airflow must be unobstructed. Keep controls, burner and circulation air passageways clean. Signs of possible blockage include:
  - Gas odor with extreme yellow tipping of flame / Appliance glow is excessively uneven / Appliance makes popping noises.
  - Spiders and insects can nest in burner or orifices. This dangerous condition can damage the appliance and render it unsafe for use. Clean burner holes by using a heavy duty pipe cleaner. Compressed air may help clear away smaller particles.
  - Carbon deposits may create a fire hazard. If any carbon deposits develop, clean dome and engine with warm soapy water.
  - After the burner and lava rocks are completely cooled down, remove it from the bowl and use a soft brush to get rid of the mild stains, loose dirt and soil. Wipe with a soft cloth.
  - Clean the bowl and afterward put lava rocks again in proper position.
  - For proper cleaning, a vacuum cleaner can be used.

***Note: In a salt-air environment (such as near the sea), corrosion occurs more quickly than normal.***

***Frequently check the corroded areas and repair them promptly. Stubborn stains, discoloration and possibly rust pitting can occur from exposure to harsh outdoor conditions. Be careful not let any powder or solvent come in contact with painted or plastic components as damage may occur.***

***After long use, some discoloration can come up and it screen is normal.***

Make sure both gas supplies is in OFF position before changing battery. Please refer to the process of assembling battery.

Please contact the Manufacturer or dealer for information regarding replacement hoses, thermocouples, igniters, lava rocks, etc.

***Attention: Never use unauthorized parts or component for this appliance.***

***Use only original equipment replacement spare parts and components.***

***Otherwise may void the warranty of this product and result in a hazardous condition.***

---

## **STORAGE (after use)**

Turn control knob in "OFF" position (full disk).

Turn LPG cylinder in "OFF" position.

Store the appliance in a cool dry place away from direct sunlight; store it upright in an area sheltered from direct contact with inclement weather (such as rain, sleet, hail, snow, dust and debris).

If desired, cover to protect exterior surfaces and to prevent build up in air passages.

**Note: Wait until appliance is cool before covering.**

### ***During periods of extended inactivity or when transporting:***

Turn control knob in "OFF" position (full disk).

Disconnect LPG cylinder and move to a secure, well ventilated location outdoors. DO NOT store in a location that will exceed 50 °C.

Store appliance upright in an area sheltered from direct contact with inclement weather (such as rain, sleet, hail, snow, dust and debris).

If desired, cover appliance to protect exterior surfaces and to prevent build up in air passages.

**Note: Wait until appliance is cool before covering.**

## TROUBLESHOOTING

Problem:	Condition:	Solution suggested:
<b>Burner won't light</b>	Control knob is not in Maximum position (big flame).	Turn control knob in Maximum position (big flame).
	LPG cylinder valve is closed / Empty.	Open the valve / Replace LPG cylinder with a new one.
	Blockage in the injector.	Clean or replace injector.
	Air in the gas circuit.	Open gas line and bleed it (pressing control knob in) for not over 1 minute or until you smell gas.
	Low gas pressure.	Replace LPG cylinder with a new one.
	Igniter fails.	Use match to light burner; change battery or obtain new igniter and replace it.
<b>Burner won't stay lit</b>	Dirty build up around burner.	Clean dirty around the burner.
	Low flames or not full running around the burner.	Flame spreader holes partially closed; clean the burner.
	Thermocouple is not operating correctly.	Replace thermocouple (FSD).
	Low Gas pressure.	Replace LPG cylinder with a new one.
<b>Burner flame is low</b> Note: Do not operate appliance below 5 °C	Outdoor temperature is greater than 5 °C and LPG cylinder is less than 25 % full.	Replace LPG cylinder with a new one.
	Gas pipe is bent or kinked.	Straighten hose and perform leakage test on gas pipe.
	Control knob is fully Maximum position (big flame).	Turn control knob to "OFF" position (full disk), let cool to room temperature and check burner and orifices for blockage.
<b>Carbon build-up</b>	Dirty or film on burner.	Clean burner.
<b>Flash back</b> (flame inside burner)	Burner ports are blocked.	Switch OFF the appliance. Close LPG cylinder valve. Wait 2 minutes, following the ignition procedure. Ignite burner. If problem continuous, switch-off. Contact your dealer.
<b>Thick black smoke</b>	Blockage in the burner.	Turn control knob to "OFF" position, let the appliance to cool at room temperature and remove blockage and clean burner inside and outside.

If you have any questions, please contact our customer care center, Our contact details are below:

 0044-800-240-4004

 enquiries@mhstar.co.uk

IMPORTER ADDRESS:  
MH STAR UK LTD  
Unit 27, Perivale Park,  
Horsenden lane South  
Perivale, UB6 7RH  
MADE IN CHINA