

# AIYAPLAY

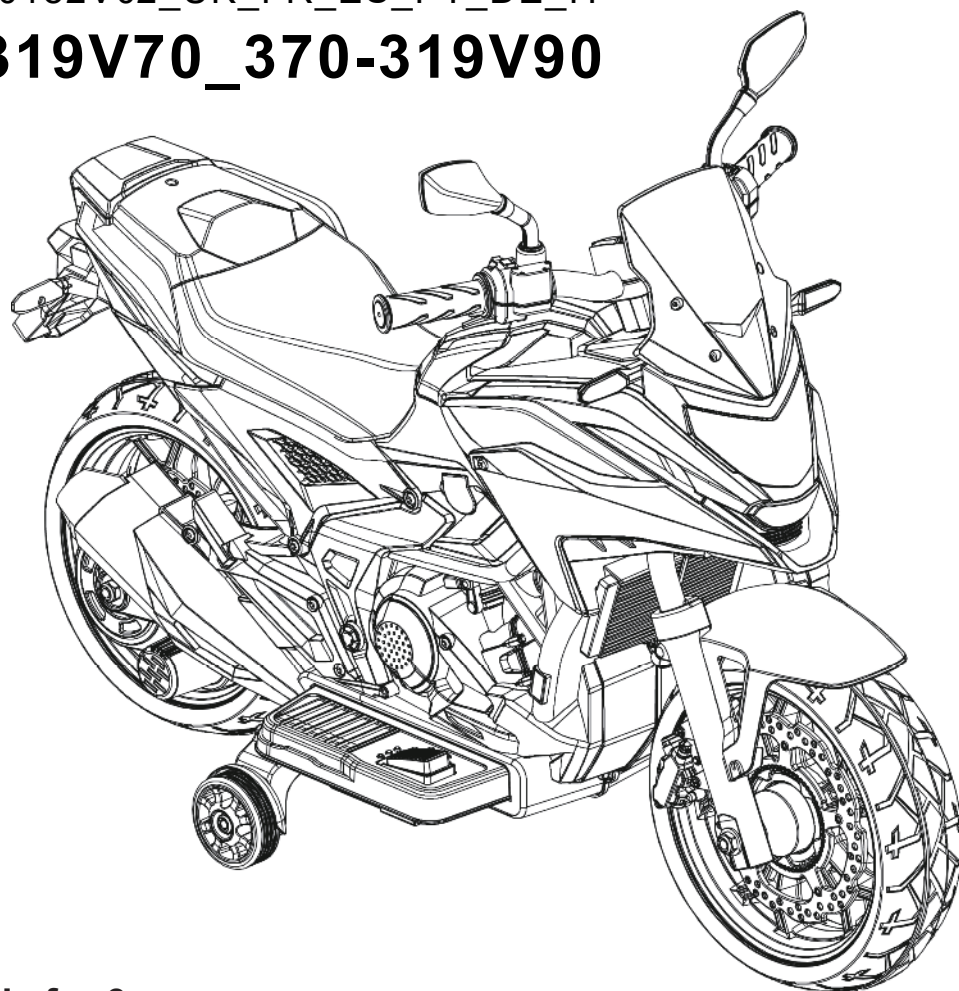
EN

**CHILDREN'S**

**ELECTRONIC TOY MOTORCYCLE**

IN240200182V02\_UK\_FR\_ES\_PT\_DE\_IT

**370-319V70\_370-319V90**



- Suitable for 3+ years
- Maximum user weight: 30kg
- Adult assembly required



## **OWNER'S MANUAL**

***Read and understand this entire manual before using!***

Please keep this manual for future reference as it contains important information.

Before first time use, charge the battery for at least 8-12 hours, no more than 20 hours.

# Table of Contents

---

1. *About Your New Motorcycle*
2. *Parts List*
3. *Parts Diagram*
4. *Assembly Steps*
5. *How To Operation Your Motorcycle*
6. *Charging The Motorcycle*
7. *Troubleshooting Guide*
8. *Maintaining Your Motorcycle*
9. *Disposal Of Battery*

## About Your New Motorcycle

---

Thank you for your purchasing our products, we wants your child to enjoy this product for years to come. Keep these points in mind as you read this guide:

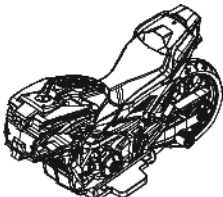
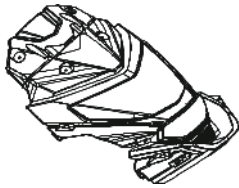
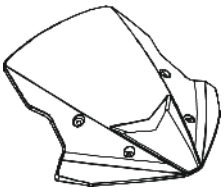
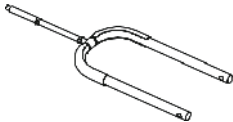
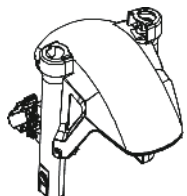
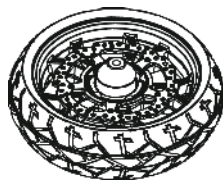
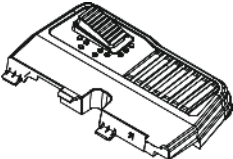
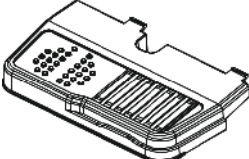


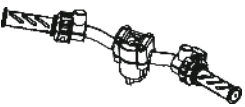
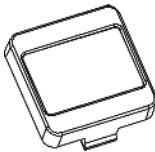
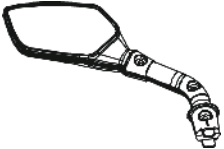
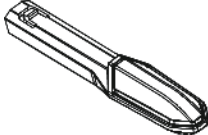
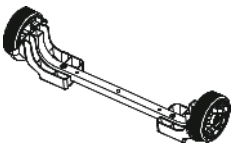
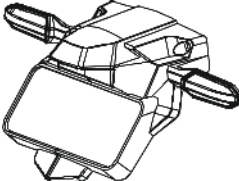
<b>Suitable age:</b>	3+ years	<b>Battery:</b>	DC 12V 4.5AH *1
<b>Load Capacity:</b>	Under 30Kg	<b>Size of car:</b>	1070*460*750mm
<b>Speed:</b>	3Km/h		
<b>Material:</b>	PP	<b>Optimum Temperature:</b>	Below 40°C Avoid to use under burning sun
<b>Charger:</b>	Input: Shown on the charger	<b>Charging time:</b>	8-12 hours, at most 20 hours
	Output: DC 12V	<b>Fuse:</b>	F 7A, Self-resetting
	Current: DC 0.5A	<b>Operating life:</b>	12 months to 18 months

### **WARNING!**



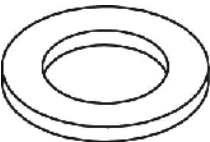
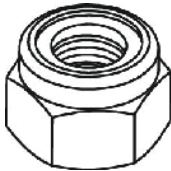
**FOR THE SAFETY OF YOUR CHILD, PLEASE READ ALL WARNINGS AND ASSEMBLY/USE INSTRUCTIONS. KEEP THIS GUIDE FOR FUTURE REFERENCE.**

- **ADULT ASSEMBLY REQUIRED.** The product contains small parts, which are for adult assembly only. Keep small children away when assembling.
- Always remove protective material and poly bags and dispose before assembly.

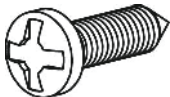
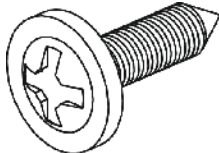
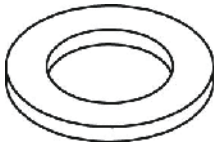
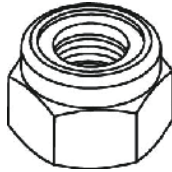

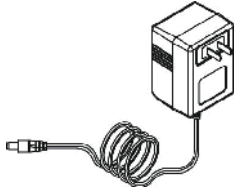
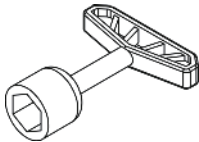
# Parts List

PART NO	PART NAME	PICTURE	Qty (pcs)	REMARKS	PART NO	PART NAME	PICTURE	Qty (pcs)	REMARKS
1	Vehicle body		1		2	Head cover		1	
3	Windshield		1		4	Fork		1	
5	Mudguard		1		6	Front Wheel		1	
7	Footrest A		1	right	8	Footrest B		1	Left
9	Decorative cover A		1 pair	Left & right	10	Decorative cover B		1 pair	Left & right
11	Handlebar		1		12	Cover		1	
13	Rear view mirror		1 pair	Left & right	14	Turn signal		2	
15	Training wheel		1		16	License plate		1	

# Parts List

PART NO	PART NAME	PICTURE	Q'ty (pcs)	REMARKS	PART NO	PART NAME	PICTURE	Q'ty (pcs)	REMARKS
17	Front axle		1		18	Axle		1	
19	Washer		4	Placed in the front axle	20	Nut		2	Placed in the front axle

## Assembly package

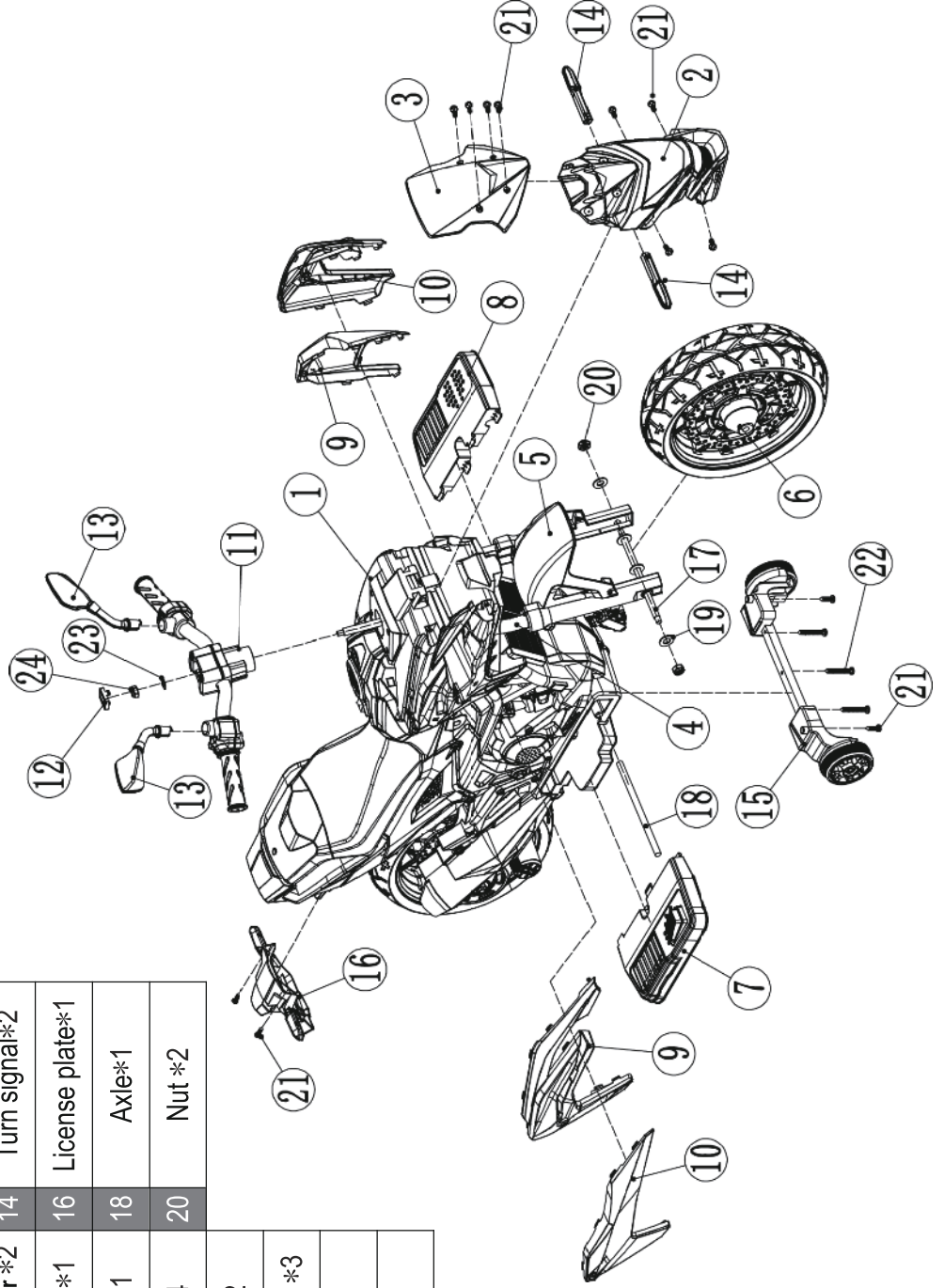
PART NO	PART NAME	PICTURE	Q'ty (pcs)	REMARKS	PART NO	PART NAME	PICTURE	Q'ty (pcs)	REMARKS
21	Screw		12		22	M4X35 screw		3	
23	Washer		1		24	Nut		1	
25	Instruction manual		1		26	Charger		1	
27	Spanner		2						



# Parts Diagram

**NOTE:** Some Parts Shown are assembled on both sides of vehicle

1	Vehicle body *1	2	Head cover *1	3	Windshield *1
4	Fork *1	5	Mudguard *1	6	Front Wheel *1
7	Footrest A *1	8	Footrest B *1	9	Decorative cover A *2
10	Decorative cover B *2	11	Handlebar *1	12	Cover *1
13	Rear view mirror *2	14	Turn signal*2		
15	Training wheel*1	16	License plate*1		
17	Front axle*1	18	Axle*1		
19	Washer *4	20	Nut *2		
21	Screw *12				
22	M4X25 Screw *3				
23	Washer *1				
24	Nut *1				



## Tools Required



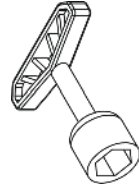
Screwdriver(not included)



Pliers(not included)



Hammer(not included)

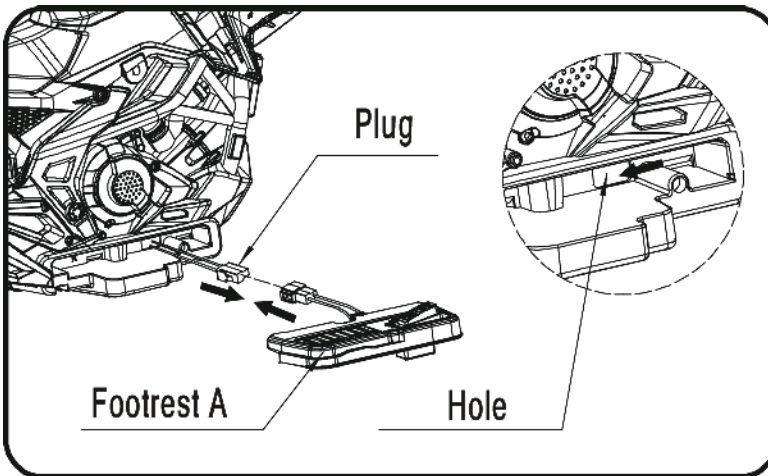


Spanner

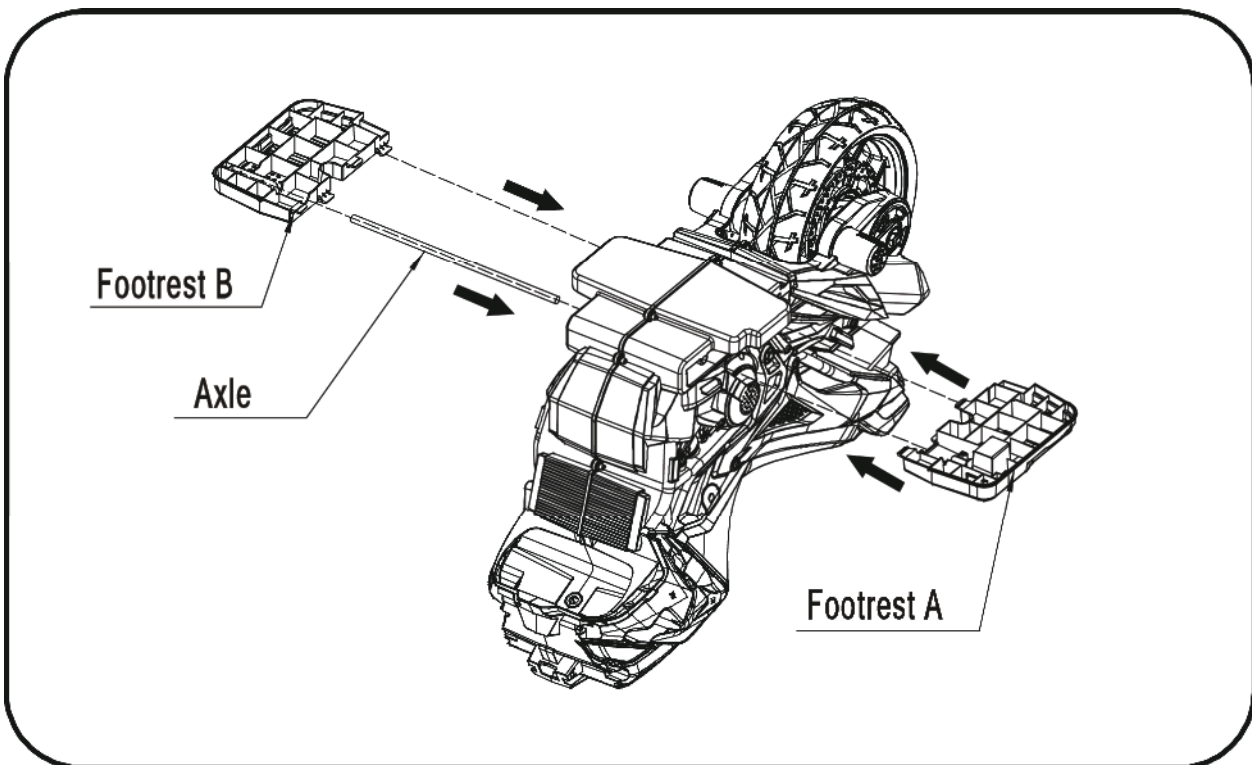
# Assembly Steps

---

## 1. Install the footrest.



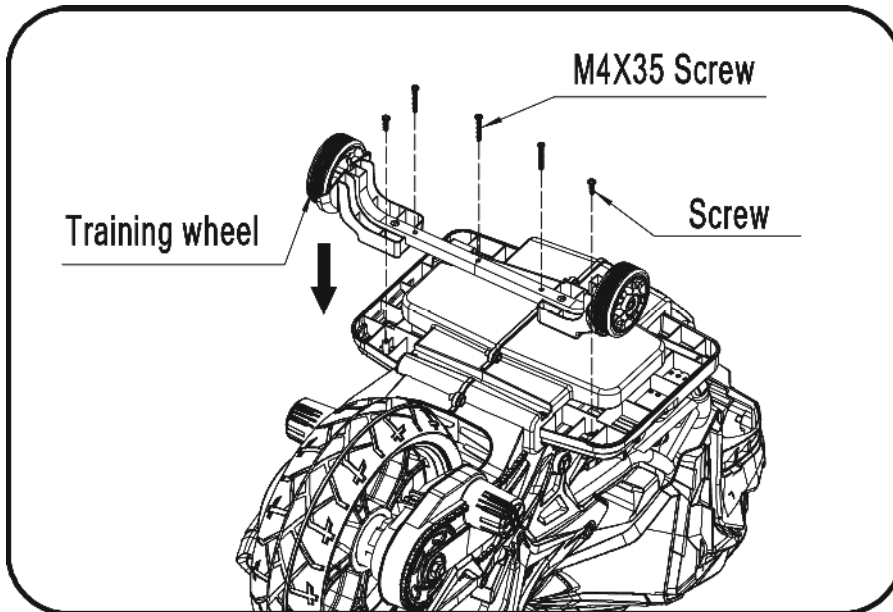
- As shown in the picture, the plug butt, and put the plug into hole.



- As shown in the picture, put the axle through the car body.
- As shown in the picture, push the two footrest according to the direction of the arrow and make sure to fit in position.

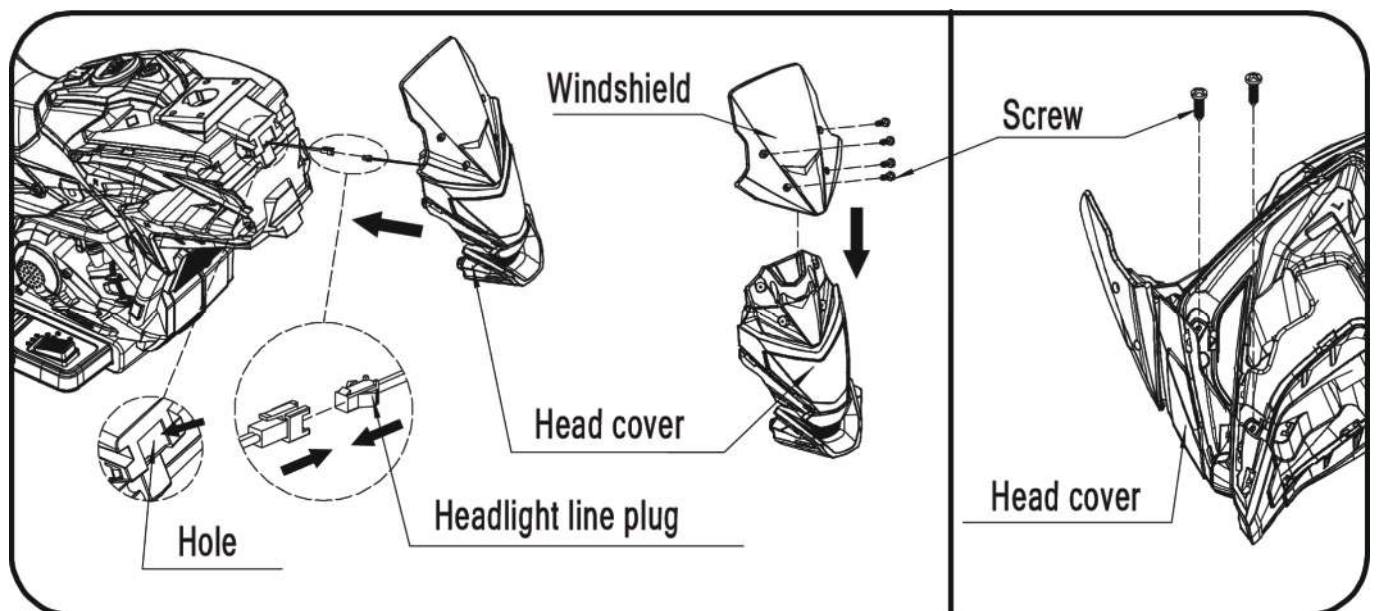
# Assembly Steps

## 2. Install the training wheel.



- As shown in the picture, turn over the car body, install the training wheel to the corresponding place, and fasten with screws.

## 3. Install the head cover.

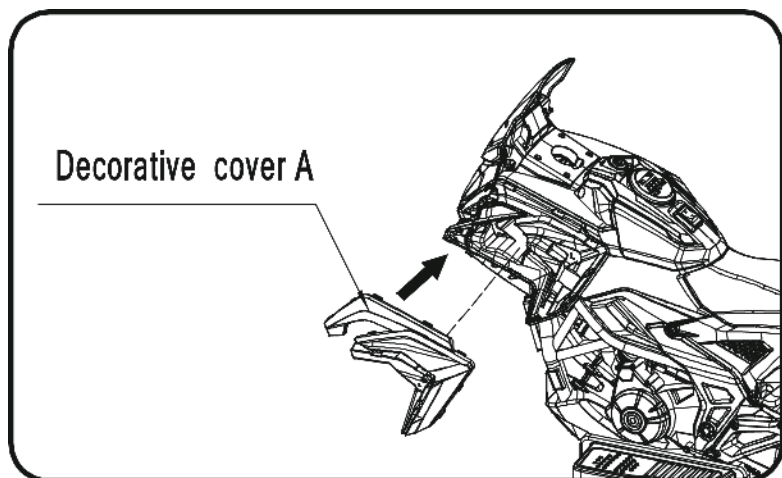


- As shown in the picture, install the windshield to the corresponding place, and fasten with screws.
- The headlight line plug butt, and put the plug into hole.
- As shown in the picture, install the head cover to the corresponding place, and fasten with screws.

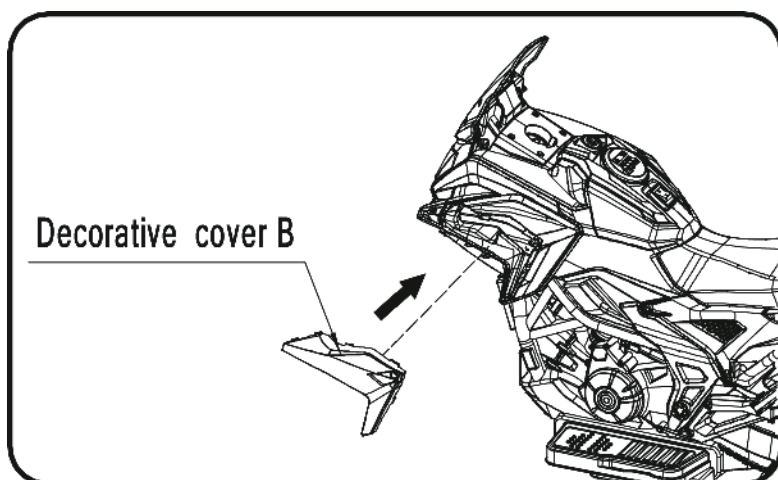
# Assembly Steps

---

## 4. Install the decorative cover.

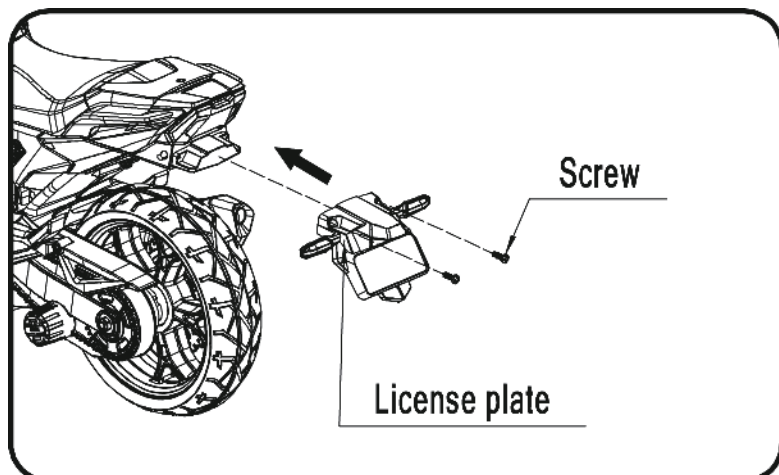


- As shown in the picture, install the decorative cover A to the corresponding place.



- As shown in the picture, install the decorative cover B to the corresponding place.

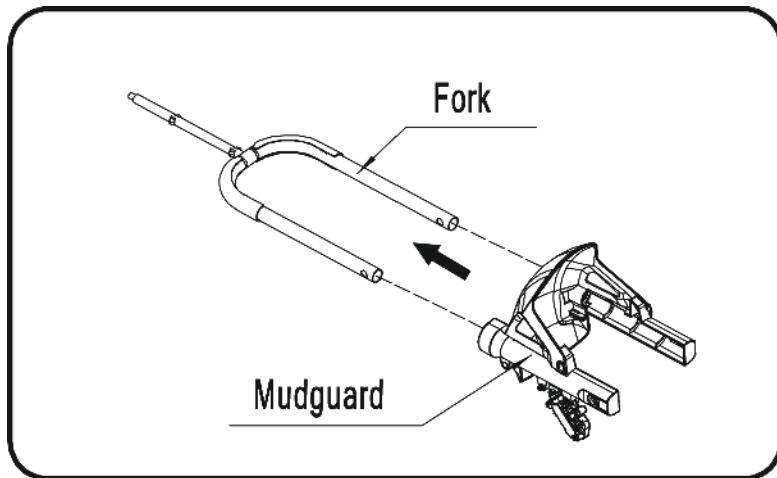
## 5. Install the license plate.



- As shown in the picture, install the license plate to the corresponding place, and fasten with screws.

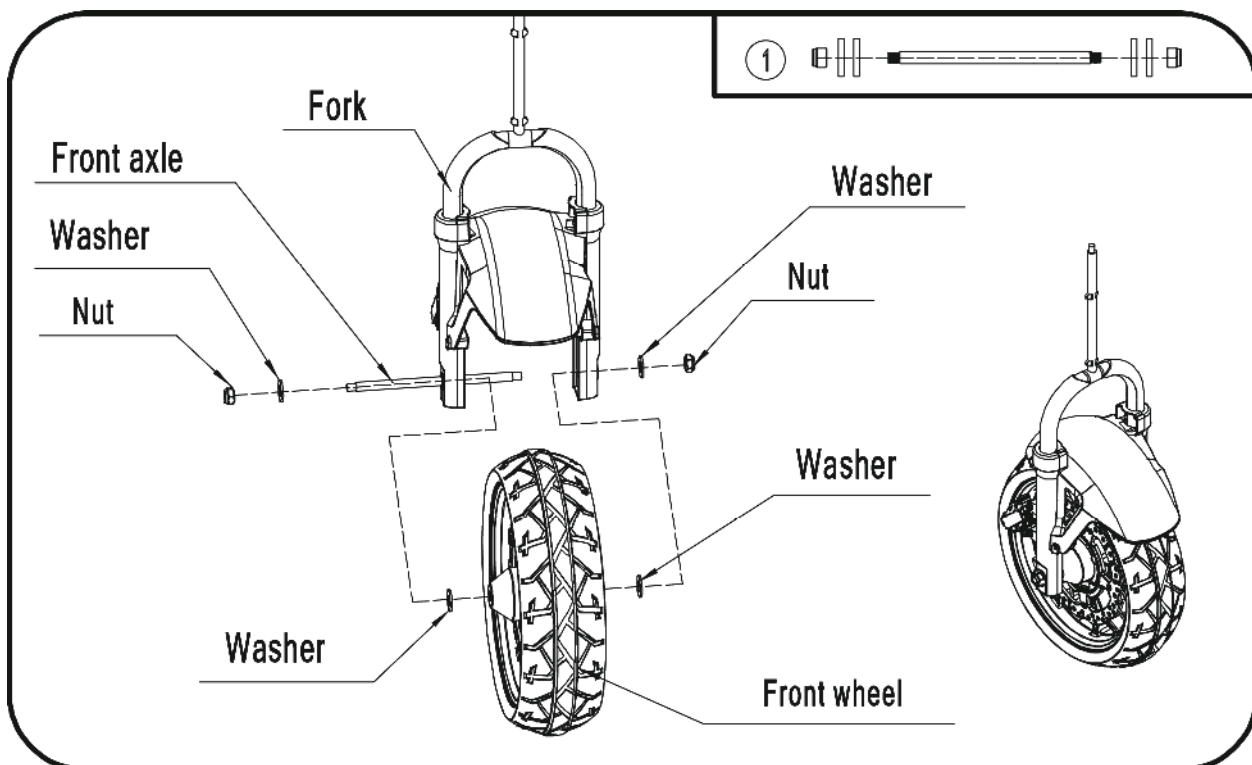
# Assembly Steps

## 6. Install the mudguard.



- As shown in the picture, install mudguard to the corresponding place.

## 7. Install the front wheel.



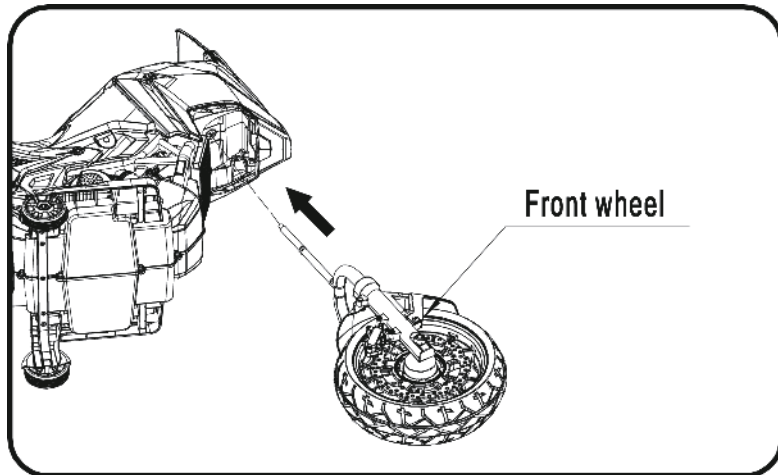
- As shown in Figure 1, disconnect the front axle parts.
- As shown in the picture, put the front axle through the fork, sequentially installed washer, front wheel, washer.
- Then through the fork, and install washers to both sides and fasten with nuts.



# Assembly Steps

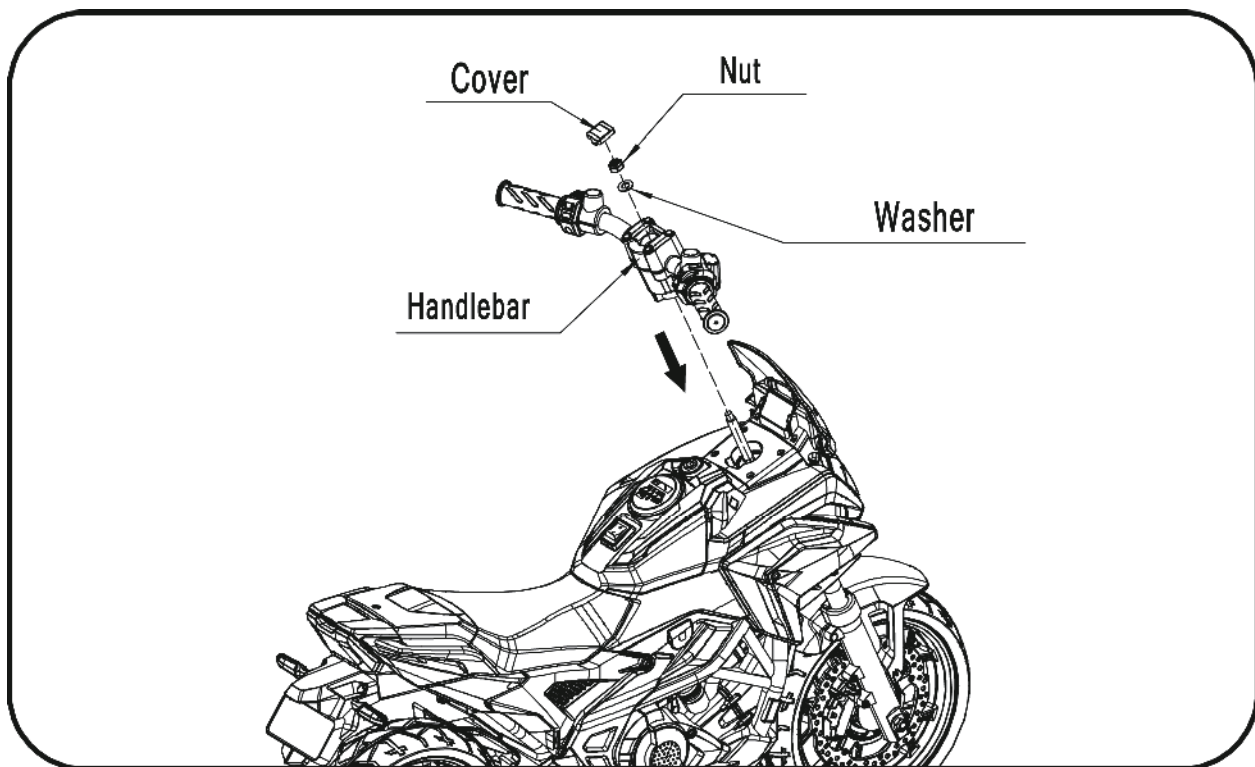
---

## 8. Install the front wheel.



- As shown in the picture, put the front wheel through the vehicle body.

## 9. Install the handlebar.



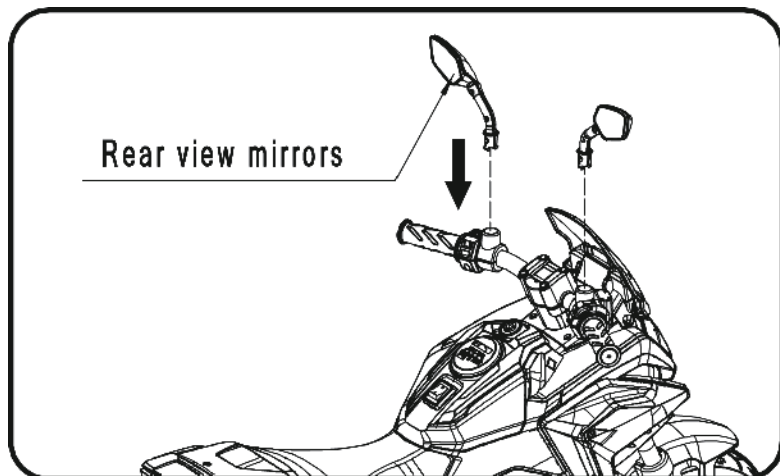
- As shown in the picture, install the handlebar to the corresponding place, and fasten with nut, washer and cover.



# Assembly Steps

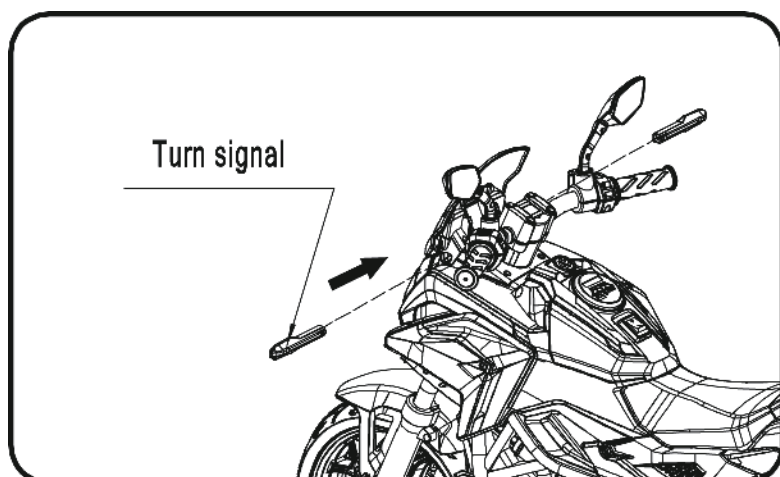
---

## 10. Install the rear view mirror.



- As shown in the picture, press the rear view mirror downward to fix it.

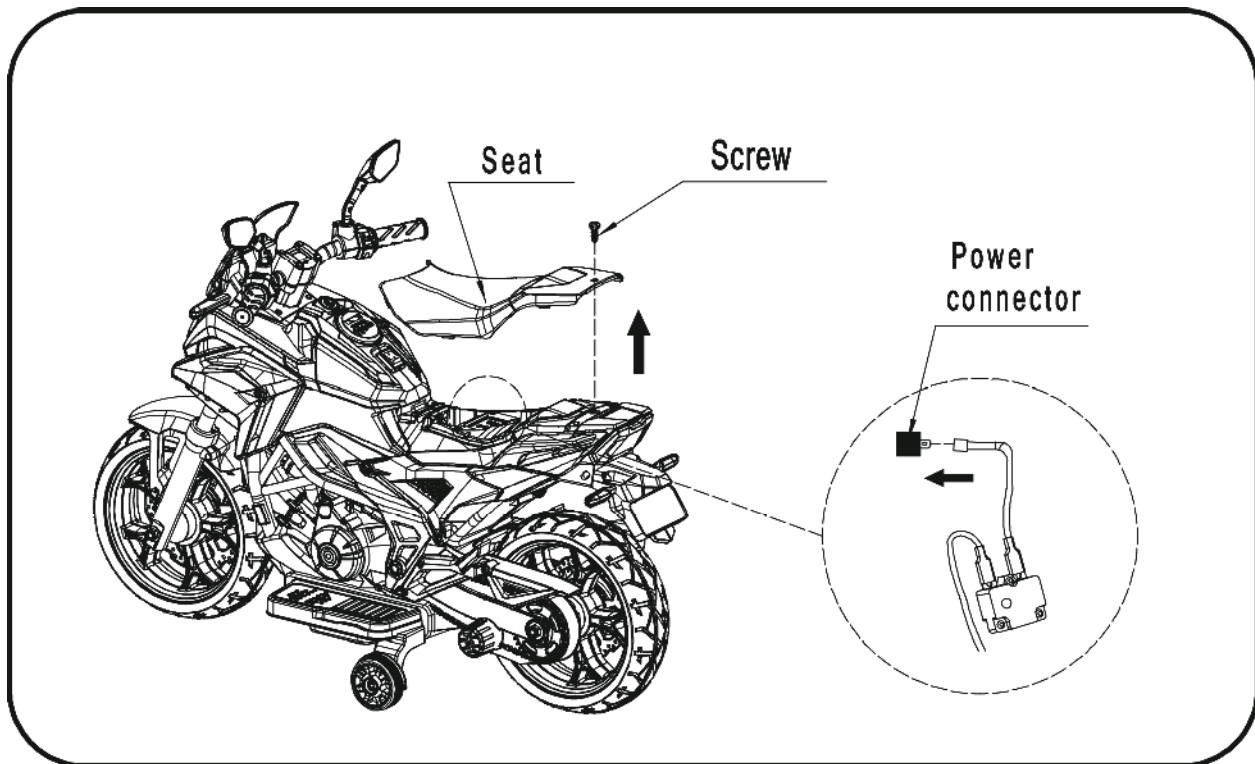
## 11. Install the turn signal.



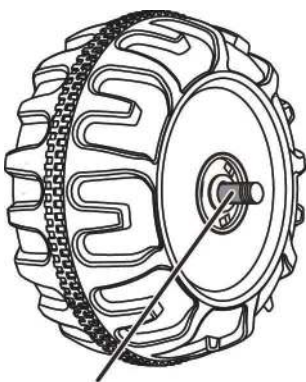
- As shown in the picture, push the two turn signal according to the direction of the arrow and make sure to fit in position.

# Assembly Steps

## 12. Connect the power supply.



- As shown in the picture, unscrew the screw, and open the seat.
- Plug the power connector into the terminal on battery as shown.
- Then install the seat to the corresponding place, and fasten with the screw.



**GAP**

### IMPORTANT SUPPLEMENT TO INSTRUCTION MANUAL

After assembling any wheel to the axles, please check the gap between the screw thread and the collapsible (refer to below picture), if the gap is too big, please add two or three washers inside the wheel, But after tightening the nut outside the wheel, please turn the wheel by your finger to check if the wheel can run smoothly, this is very important, because if the wheel can run smoothly, it is ok, but if the nut press the wheel and the wheel can't run smoothly, the motor will be broken easily! Then you need to decrease one or two washers to make sure the wheel can run smoothly!

# How To Operate Your Motorcycle

---

## **WARNING!**

### **PREVENT INJURIES AND DEATHS:**

- **NEVER LEAVE CHILD UNATTENDED. DIRECT ADULT SUPERVISION IS REQUIRED.** Always keep child in view when child is in vehicle.
- Never use in roadways, near cars, on or near steep inclines or steps, swimming pools or other bodies of water.
- Always wear shoes.
- Always sit on the seat.
- Suitable for age 3+ years; Maximum user weight is 30 kgs.
- Not to be used in traffic.
- The battery on the vehicle is not replaceable.

### **Must confirm before using that following work which is already finished:**

- **Important!** Before using the vehicle for the first time, the battery needs to be charged for 8 to 12 hours, no more than 20 hours. Only an adult can charge or recharge the battery.
- Finishing the complete motorcycle to assemble according to the steps that the manual described. The plug-in package of storage battery has already been inserted well, the power has already been put through.
- All places to need the screw guarantee the screw has already been locked.

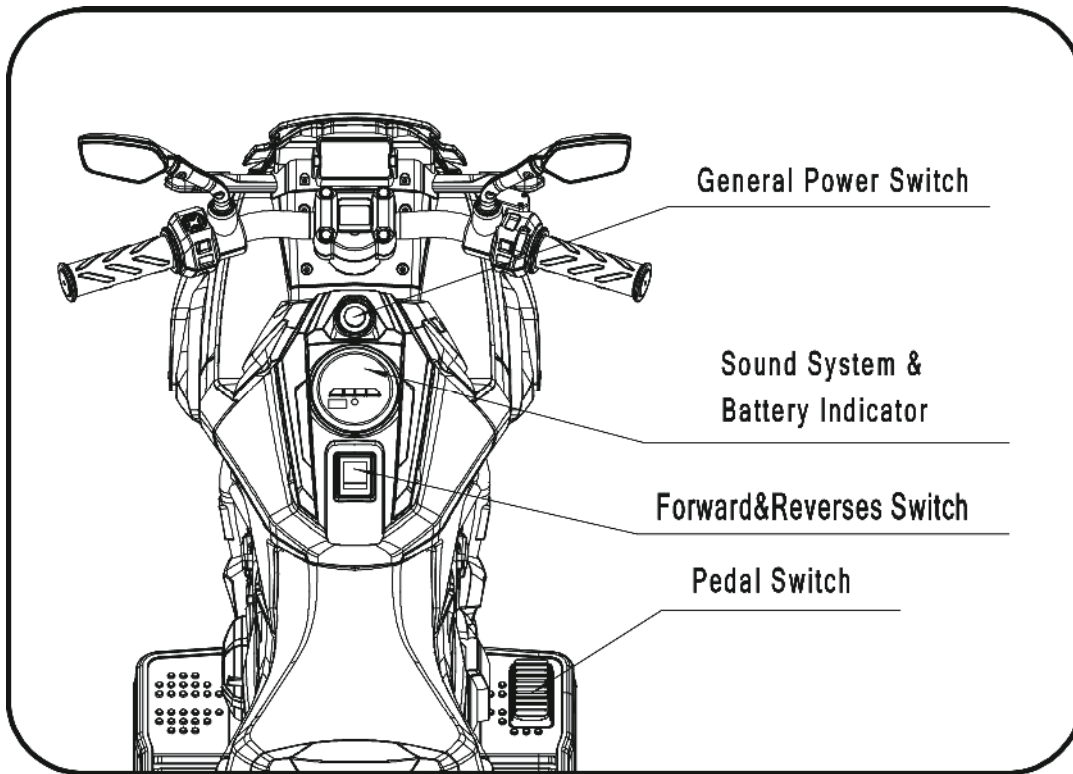
### **Rules for Safe Riding**

#### **READ THESE RULES ALOUD TO YOUR CHILD AND THEIR PLAYMATES AND MAKE SURE THEY UNDERSTAND THEM!**

- This toy is no break. Always wear a helmet and protective clothing when riding.
- Direct Adult Supervision Required.
- Keep Children within Safe Riding Areas.
- Never use in roadway, near motor vehicles, on lawn space, on or near steep inclines or steps, swimming pools or other bodies of water.
- Use the toy only on flat surfaces. such as inside your house, garden or playground.
- Never use in the dark. A child could encounter unexpected obstacles and have an accident. Operate the vehicle only in the daytime or a well-lit area.
- It is not recommended to drive the vehicle on wet surfaces or on lopes of greater than 15 degrees.
- Do not use this vehicle outdoors when it is raining or snowing.
- Make sure you come to a complete stop before changing directions from forward to back.
- Please follow the correct weight and age limits allowed to drive this vehicle.
- It is prohibited to change the circuit or add other electric parts
- Inspect wires and connections of the vehicle periodically.
- In order to avoid accidents, please ensure the vehicle is safe before riding.
- Do not let any child touch the wheels or be near them when the car is moving .

# How To Operate Your Motorcycle

## Use Operation



### **IMPORTANT!**

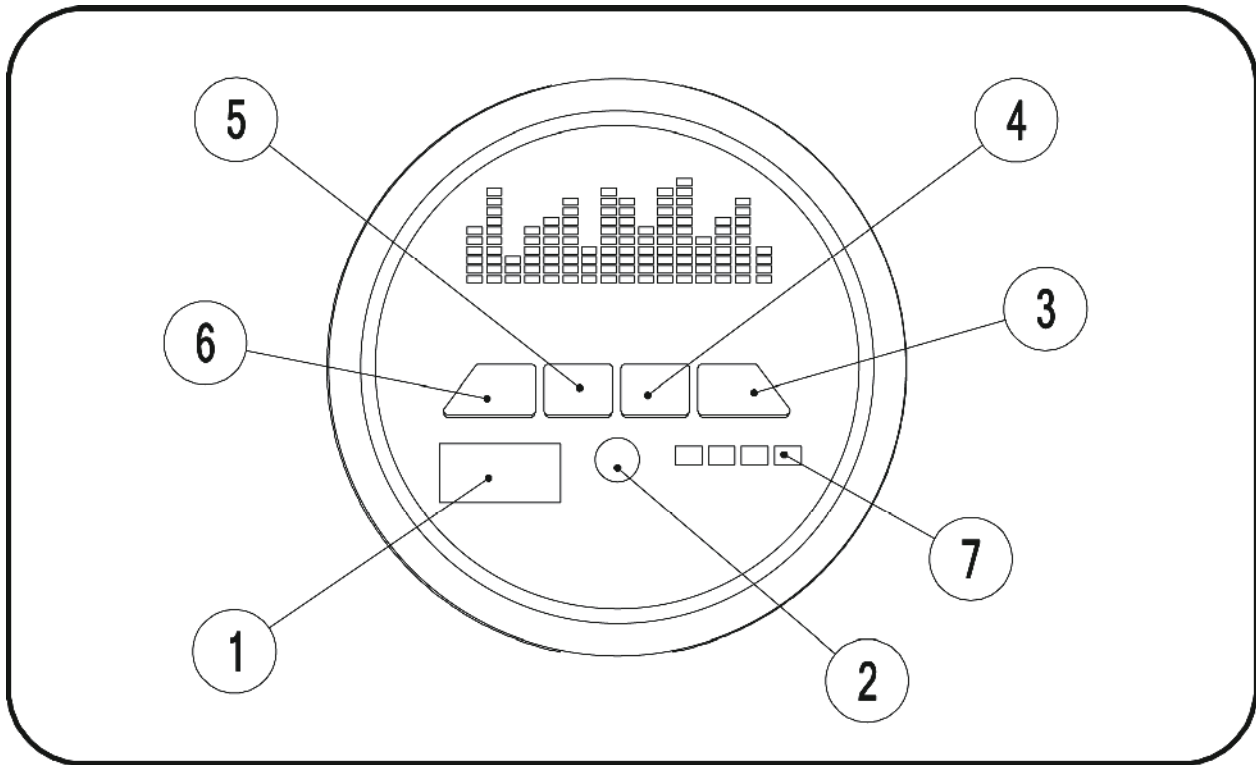
Always stop vehicle when changing the speed or direction to avoid damage the gear box and motor.

- (1) Turn on the general power switch first, the music can be played.
- (2) Forward
  - Press the "Forward and Reverse switch" to the "Forward" position.
  - Press the pedal.
  - The vehicle drives forward.
- (3) Stop
  - Remove foot from the accelerator pedal to stop the car.
- (4) Reverse
  - Press the "Forward and Reverse switch" to the "Reverse" position.
  - Press the pedal.
  - The vehicle drives backward.

# How To Operate Your Vehicle

---

## (5 ) How to use the Sound System & Battery Indicator



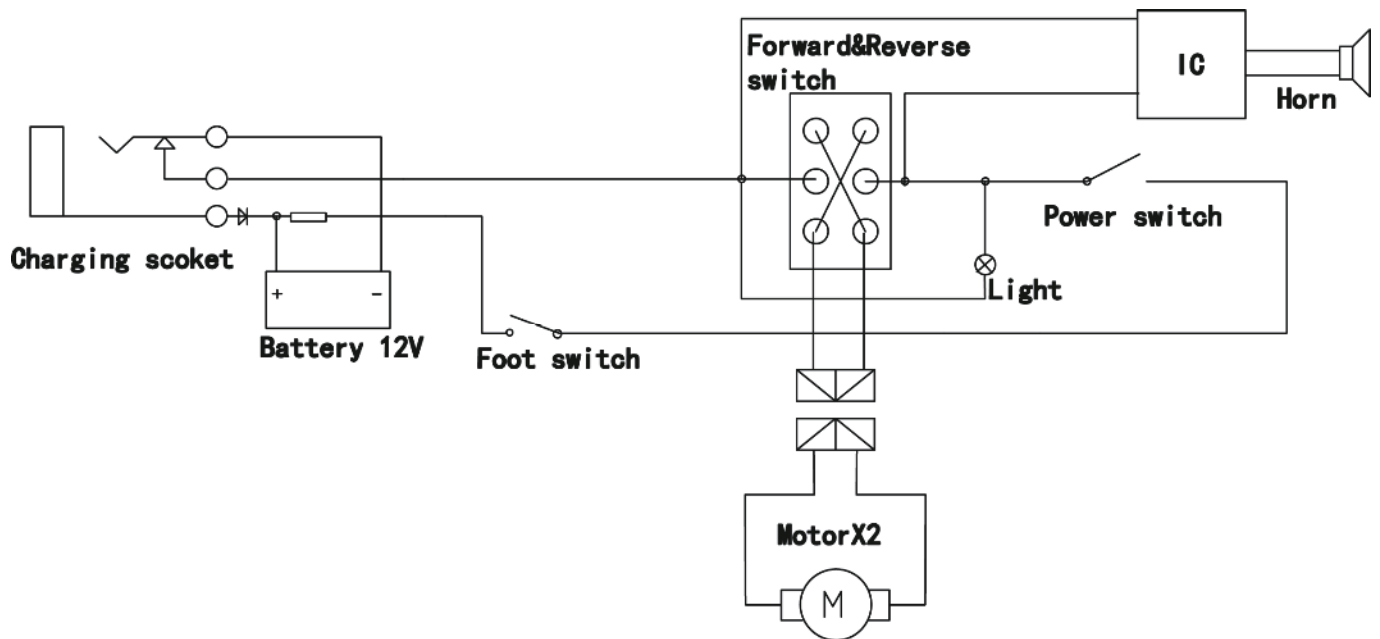
- 1. Storage device slot.
- 2. AUX Port
- 3. Mode button: Convert the car between music play mode and smart connection mode.

**Note: The car could be searched and connected by & with the mobile in smart connection mode, to play mobile sound source.**

- 4. Decrease volume/Last Song: Switch songs.
- 5. Increase volume/Next Song: Switch songs.
- 6. Horn button
- 7. Power Display: Shows battery power and charge level.

# How To Operate Your Vehicle

## Circuit diagram



## Charging Your Vehicle

### ONLY AN ADULT CAN CHARGE AND RECHARGE THE BATTERY!

- non-rechargeable batteries are not to be recharged;
- different type of batteries or new and used batteries are not to be mixed;
- batteries are to be inserted with the correct polarity;
- exhausted batteries are to be removed from the toy;
- the supply terminals are not to be short-circuited.
- rechargeable batteries are only to be charged under adult supervision;
- rechargeable batteries are to be removed from the toy before being charged;
- The transformers or battery charger used with the toy are to be regularly examined for damage to the cord, plug, enclosure and other parts, and in the event of such damage, they must not be used until that damage had been repaired.

## **!** WARNING!

### ● PREVENT FIRE AND ELECTRIC SHOCK:

- Use the only rechargeable battery and charger supplied with your vehicle. NEVER substitute the battery or the charger with another brand. Using another battery or charger may cause a fire or explosion.
- Do not use the battery or charger for any other product. Overheating, fire or explosion could occur.
- NEVER modify the electric circuit system. Tampering with the electric system may cause a shock, fire or explosion or may permanently damage the system.
- Do not allow direct contact between battery terminals. Fire or explosion can occur.
- Do not allow any type of liquid on the battery or its components.



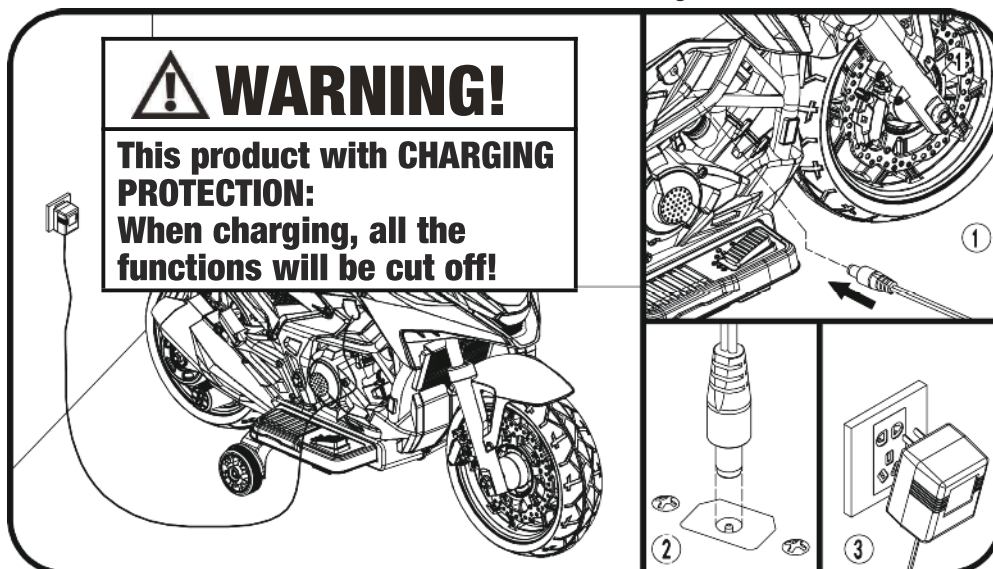
# Charging Your Vehicle

## **WARNING!**

### • **PREVENT FIRE AND ELECTRIC SHOCK:**

- Explosive gasses are created during charging. Do not charge near heat or flammable materials. Charge the battery in a well-ventilated area **ONLY**.
- **NEVER** pick up the battery by the wires or charger. Damage can occur to the battery and may cause a fire. Pick up the battery by the case **ONLY**.
- Charge the battery in a dry area **ONLY**.
- Battery posts, terminals and related accessories contain lead and lead compounds, chemicals known to the State of California to cause cancer and reproductive harm. **Wash hands after handling.**
- Do not open the battery. Battery contains lead acid and other materials that are toxic and corrosive.
- Do not open the charger. Exposed wiring and circuitry inside case may cause electric shock. Only adults may handle or charge the battery. **NEVER** allow child to handle or charge the battery. Battery is heavy and contains lead acid (electrolyte).
- Do not drop the battery. Permanent damage to the battery could occur or cause serious injury.
- Before charging the battery, check for wear or damage to the battery, charger, its supply cord and the connectors. **DO NOT** charge the battery if any damage to parts has occurred.
- Do not allow the battery to drain completely. Recharge the battery after each use or once a month if not used regularly.
- Do not charge battery upside down.
- Always secure the battery with the bracket. Battery can fall out and injure a child if vehicle tips over.
- A recommendation for adult supervision of young children.
- The toy should be used with caution since skill is required to avoid falls or collisions causing injury to the user or third parties.

- The charging input socket is **BELOW THE SEAT**.
- The **POWER SWITCH** must be turned in **OFF** position when charging.
- Before the first use, you should charge the battery for 8-12 hours. Do not recharge the battery for more than 20 hours to avoid overheating the charger.
- When the vehicle begins to run slowly, recharge the battery.
- After each use or once a month minimum recharge time as 8 to 12 hours, no more than 20 hours.



1. Find the charging input socket below the seat;
2. Plug the charger port into the input socket;
3. Plug the charger plug into a wall outlet. The battery will begin charging.

# Troubleshooting Guide

---

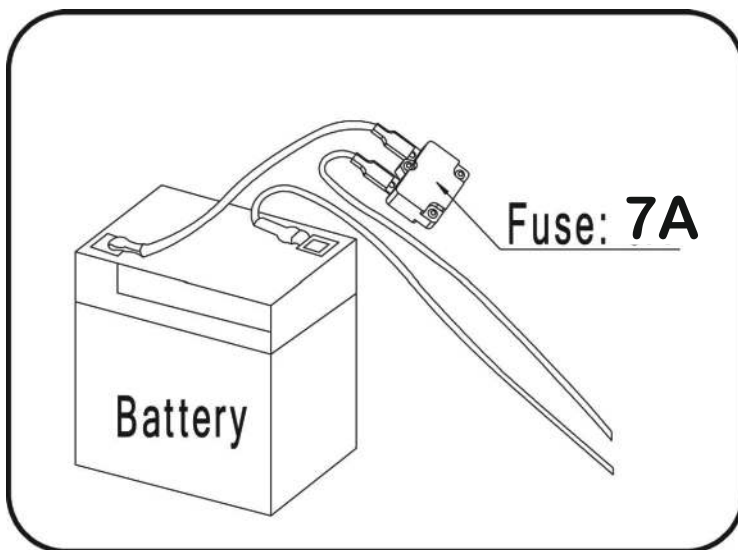
## ■ PROBLEM: The vehicle does not run

**PROBLEM CAUSE: The battery may low on power.**

After each use, or once a month minimum, charge the battery for 8-12 hours. Do not leave the battery on the charger for more than 20 hours.

**POSSIBLE CAUSE: Thermal fuse has tripped.**

The vehicle is equipped with a self-resetting fuse. When the vehicle is overloaded or operated incorrectly; the self-resetting fuse will be cut off for 5-20seconds before becoming operational again. The self-resetting fuse is under the seat (Refer to the picture.)



**To avoid the fuse cut off the power, follow these guidelines:**

DO NOT overload the vehicle, Maximum weight allowed :30kg

DO NOT tow anything behind the vehicle.

DO NOT drive up steep slopes.

DO NOT drive into fixed objects, which may cause the wheels to spin, causing the motor to overheat.

DO NOT drive in very hot weather, components may overheat.

DO NOT tamper with the electric system, Doing so may create a short circuit, causing the fuse to trip.

**POSSIBLE CAUSE: Wheel nuts are loose.**

If the nuts are not tight, the wheels will not engage the forward gears. Tighten the nut with the nut wrench.

**POSSIBLE CAUSE: Battery connector or wires are loose.**

Make Sure the battery connectors are firmly plugged in to each other.

**POSSIBLE CAUSE: Battery is dead.**

Have you properly maintained the battery according to the directions? Is the battery old? Your battery may need to be replaced.

**POSSIBLE CAUSE: Electric system is damaged.**

Water may have corroded the system, or loose dirt, gravel or sand might have jammed the switch.

**POSSIBLE CAUSE: Motor is damaged.**

The motor needs professional repair.

## ■ PROBLEM: The battery will not recharge.

**POSSIBLE CAUSE: Battery connector or adapter connector is loose.**

Make sure the battery connector and adapter connector are firmly plugged together.

**POSSIBLE CAUSE: Charger is not plugged in.**

Make sure the charger is plugged into the wall outlet and the power flow to the outlet is on.

**POSSIBLE CAUSE: Charger is not working.**

Is the charger warm while charging? If not, the charger may be broken and may need to be replaced.

# Troubleshooting Guide

---

## ■ **PROBLEM: The vehicle does not run very long.**

### **POSSIBLE CAUSE: Battery may be undercharged.**

You may not be charging the battery long enough. After each use, or once a month minimum, charge the battery for 8 to 12 hours. Do not leave the battery on the charger for more than 20 hours.

### **POSSIBLE CAUSE: Battery is old.**

The battery will eventually lose the ability to hold a charge. Depending on the amount of use, and varying conditions, the battery should operate for one to three years. Replace the battery with a new One.

## ■ **PROBLEM: Battery buzzes or gurgles when charging.**

This is normal and not a cause for concern. It may also be silent when charging, which is also normal.

## ■ **PROBLEM: Charger feels warm when recharging battery.**

This is normal and not a cause for concern.

# Maintaining Your Vehicle

---

- It is parents' responsibility to check main parts of the toy before using, Must regularly examine for potential hazard, such as the battery, charge, cable or cord, plug, screws are fastening enclosure of other parts and that in the event of such damage, the toy must not be until that damage had been properly removed.
- Make sure the plastic parts of the vehicle are not cracked or broken.
- Occasionally use a lightweight oil to lubricate moving parts such as wheels.
- Park the vehicle indoors or cover it with a tarp to protect it from wet weather.
- Keep the vehicle away from sources of heat, such as stoves and heaters. Plastic parts may melt.
- Recharge the battery after each use. Only an adult can handle the battery. Recharge the battery at least once a month when the vehicle Raider is not being used.
- Do not wash the vehicle with a hose. Do not wash the vehicle with soap and water. Do not drive the vehicle in rainy or snowy weather. Water will damage the motor, electric system and battery.
- Clean the vehicle with a soft, dry cloth. To restore shine to plastic parts, use a non-wax furniture polish. Do not use car wax. Do not use abrasive cleaners.
- Do not drive the vehicle in loose dirt, sand or fine gravel which could damage moving parts, motors or the electric system.
- When not using, all the electrical source should be turn off. Turn off the power switch and disconnect the battery connection.

# Disposal Of Battery

---

## Disposal Of Battery

- Your sealed lead-acid battery must be recycled or disposed of in an environmentally sound manner.
- Do not dispose of your lead-acid battery in a fire. The battery may explode or leak.
- Do not dispose of a lead-acid battery in your regular, household trash. The incineration, land filling or mixing of sealed lead-acid batteries with household trash is prohibited by law.
- Return an exhausted battery to your local approved lead-acid battery recycle, such as a local seller of automotive batteries.
- Contact your local waste management officials for other information regarding the environmentally sound recycling and disposal of lead-acid batteries.
- The battery must be charged only by adult .Please charge the product before using!
- The toy should not be connected to excessive powers (more than the quantity specified herein), and it should not be operated during charging process.
- Any rechargeable battery must only be charged under adult's supervision.
- Battery charger shall regularly check the wires, plugs. casing and other parts for damage and found damage should stop using and restored.
- Open the battery cover on the remote control, and put two pieces of batteries,paying attention to batteries polarity. Replace the battery cover and lock with screws (please replace the battery according to the above steps and should be done by adult) .
- All batteries should be inserted with the correct polarity.
- Non-rechargeable battery should not be charged, please remove any running-off battery from the toy.
- Do not use old and new batteries together, or mix different types of batteries.
- The battery charger used with the toy are to be regularly examined for damage to the cord, plug, enclosure and other parts, and in the event of such damage, they must not be used until that damage had been repaired.

Our products are suitable for

ASTM F963; GB6675,GB19865; EN71 and EN62115 standard.



# AIYAPLAY

FR

## MOTO ÉLECTRIQUE POUR ENFANTS

IN240200182V02\_UK\_FR\_ES\_PT\_DE\_IT

370-319V70\_370-319V90



- Convient aux enfants de 3+ ans
- Poids maximal de l'utilisateur : 30kg
- Assemblage par un adulte requis



## MANUEL DE L'UTILISATEUR

Lisez et comprenez l'intégralité de ce manuel avant utilisation !

Veillez conserver ce manuel pour référence future car il contient des informations importantes.

Avant la première utilisation, chargez la batterie pendant au moins 8 à 12 heures, pas plus de 20 heures.

# Table des matières

1. À propos de votre nouvelle moto
2. Liste des pièces
3. Schéma des pièces
4. Étapes d'assemblage
5. Comment utiliser votre moto
6. Recharge de la moto
7. Guide de dépannage
8. Entretien de votre moto
9. Mise au rebut de la batterie

## À propos de votre nouvelle moto

Nous vous remercions d'avoir acheté nos produits, nous voulons que votre enfant profite de ce produit pendant de nombreuses années. Gardez ces points à l'esprit lorsque vous lisez ce guide :

Âge approprié :	3+ ans	Batterie :	DC 12V 4.5AH *1
Capacité de charge :	Moins de 30 kg	Taille de la moto :	1070*460*750mm
Vitesse :	3 km/h		
Matériel :	PP	Temperatura ottimale:	Inférieure à 40°C Évitez d'utiliser sous un soleil brûlant
Chargeur :	Entrée : Indiquée sur le chargeur	Durée de charge :	8-12 heures, au maximum 20 heures
	Sortie : DC 12V	Fusible :	F 7A, à réarmement automatique
	Courant : DC 0,5A	Durée de vie :	12 à 18 mois



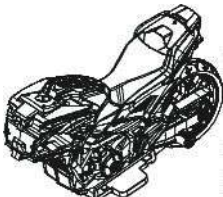
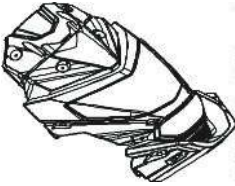
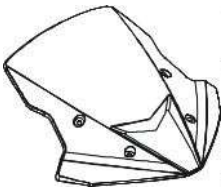
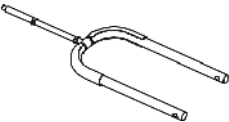
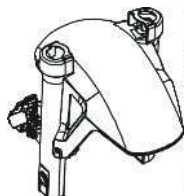
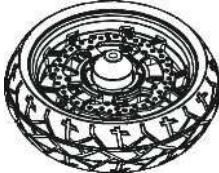
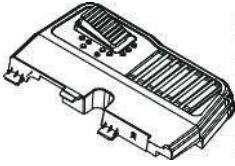
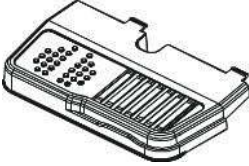

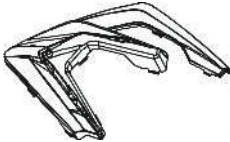
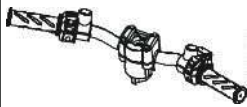
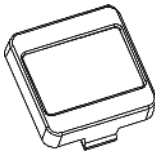

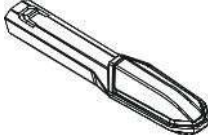
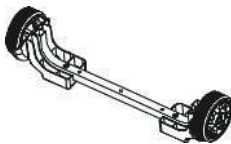
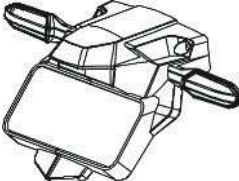
## **AVERTISSEMENT !**

**POUR LA SÉCURITÉ DE VOTRE ENFANT, VEUILLEZ LIRE TOUS LES AVERTISSEMENTS ET LES INSTRUCTIONS D'ASSEMBLAGE/D'UTILISATION. CONSERVEZ CE MANUEL POUR Y RÉFÉRER ULTERIEUREMENT.**

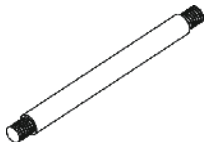
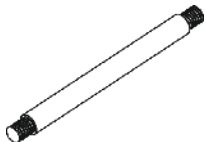
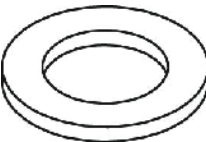
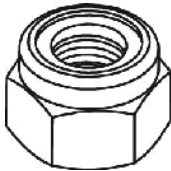
- **ASSEMBLAGE PAR UN ADULTE REQUIS.** Le produit contient de petites pièces réservées à l'assemblage par un adulte uniquement. Éloignez les petits enfants pendant l'assemblage.
- **Retirez toujours les matériaux de protection et les sacs en polyéthylène et éliminez-les avant l'assemblage.**




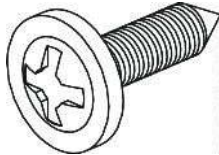
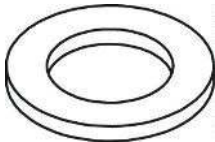

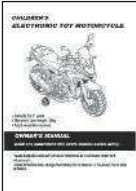
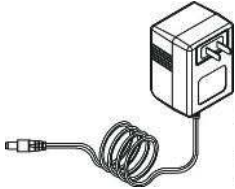
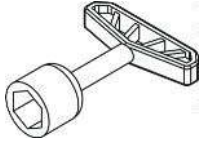
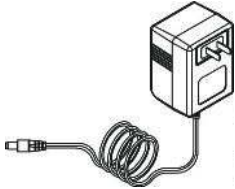
# Liste des pièces

PARTIE N°	PARTIE N° Désignation	IMAGE	Qté (pcs)	REMARQUES	PARTIE N°	PARTIE N° Désignation	IMAGE	Qté (pcs)	REMARQUES
1	Carrosserie du véhicule		1		2	Couvre-tête		1	
3	Pare-brise		1		4	Fourche		1	
5	Garde-boue		1		6	Roue avant		1	
7	Repose-pieds A		1	Droite	8	Repose-pieds B		1	Gauche
9	Couvercle décorative A		1 paire	Gauche & Droite	10	Couvercle décorative B		1 paire	Gauche & Droite
11	Guidon		1		12	Protection		1	
13	Rétroviseur		1 paire	Gauche & Droite	14	Clignotant		2	
15	Roue d'entraînement		1		16	Plaque d'immatriculation		1	

# Liste des pièces

PARTIE N°	PARTIE N° Désignation	IMAGE	Qté (pcs)	REMARQ UES	PARTIE N°	PARTIE N° Désignation	IMAGE	Qté (pcs)	REMARQ UES
17	Essieu avant		1		18	Essieu		1	
19	Rondelle		4	Placé sur les essieux avant	20	Écrou		2	Placé sur les essieux avant

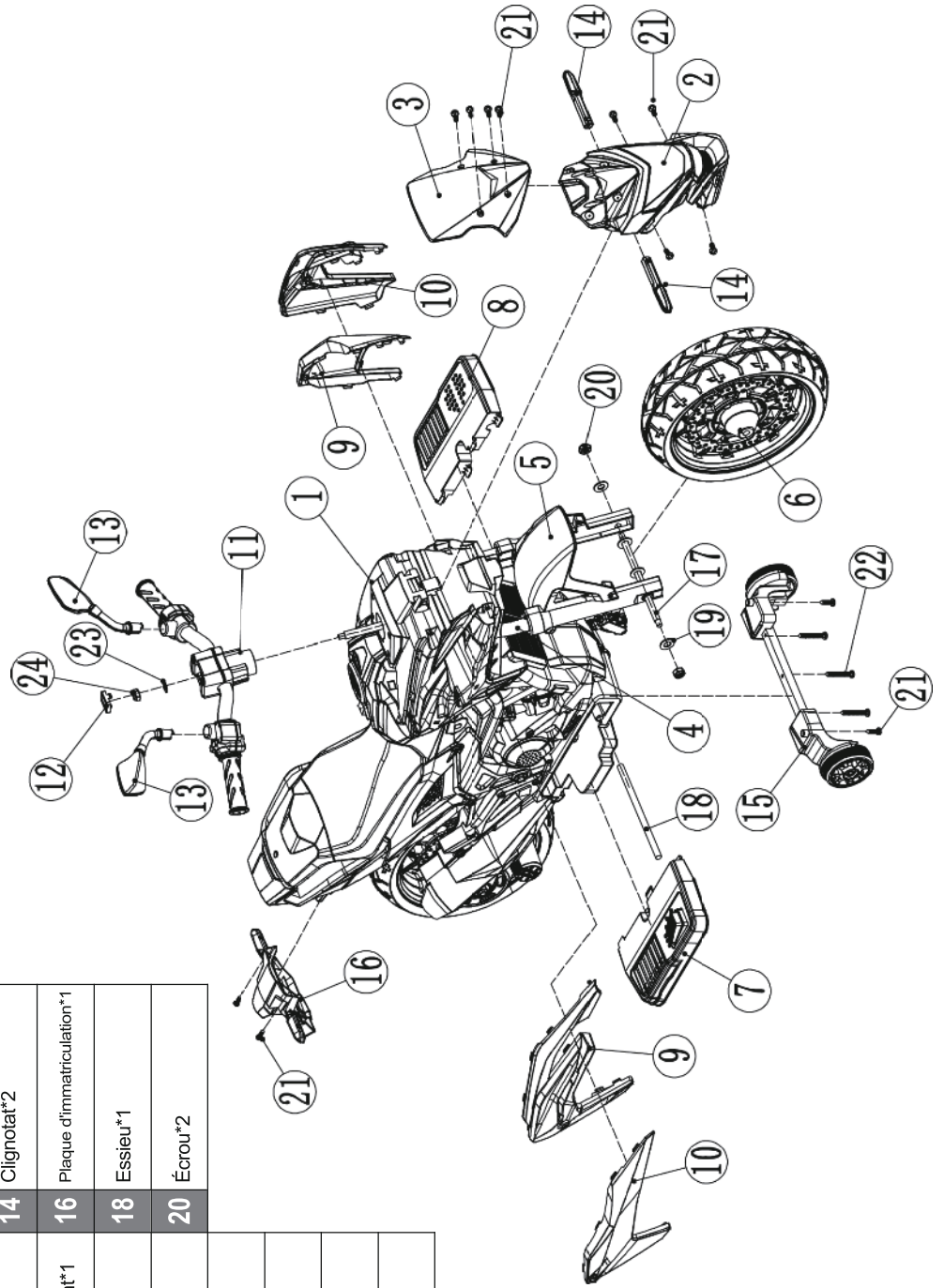
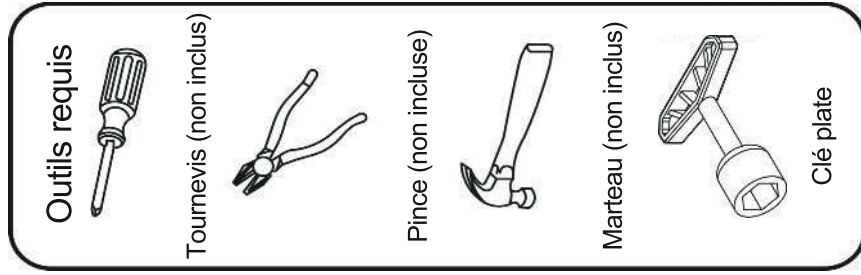
## Emballage d'assemblage

PARTIE N°	PARTIE N° Désignation	IMAGE	Qté (pcs)	REMARQ UES	PARTIE N°	PARTIE N° Désignation	IMAGE	Qté (pcs)	REMARQ UES
21	Vis		12		22	M4X35 vis		3	
23	Rondelle		1		24	Écrou		1	
25	Manuel d'instructions		1		26	Rondelle		1	
27	Clé plate		2		28	Chargeur			

# Schéma des pièces

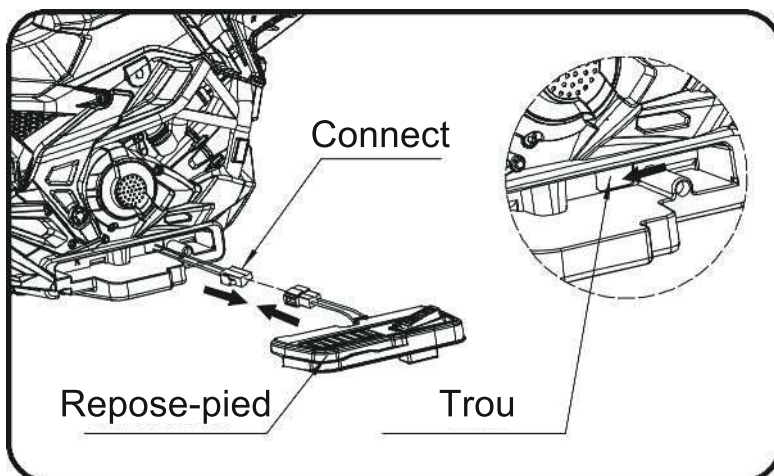
1	Carrosserie du véhicule*1	2	Couvre-tête*1	3	Pare-brise*1
4	Fourche*1	5	Garde-boue*1	6	Roue avant*1
7	Repose-pieds A*1	8	Repose-pieds B*1	9	Couvercle décoratif A*2
10	Couvercle décoratif B*2	11	Guidon*1	12	Protection*1
13	Rétroviseur*2	14	Clignotat*2		
15	Roue d'entraînement*1	16	Plaque d'immatriculation*1		
17	Essieu avant*1	18	Essieu*1		
19	Rondelle*4	20	Écrou*2		
21	Vis*12				
22	Vis M4x 25*3				
23	Rondelle*1				
24	Écrou*1				

**REMARQUE : Certaines pièces illustrées sont assemblées sur les deux côtés du véhicule**

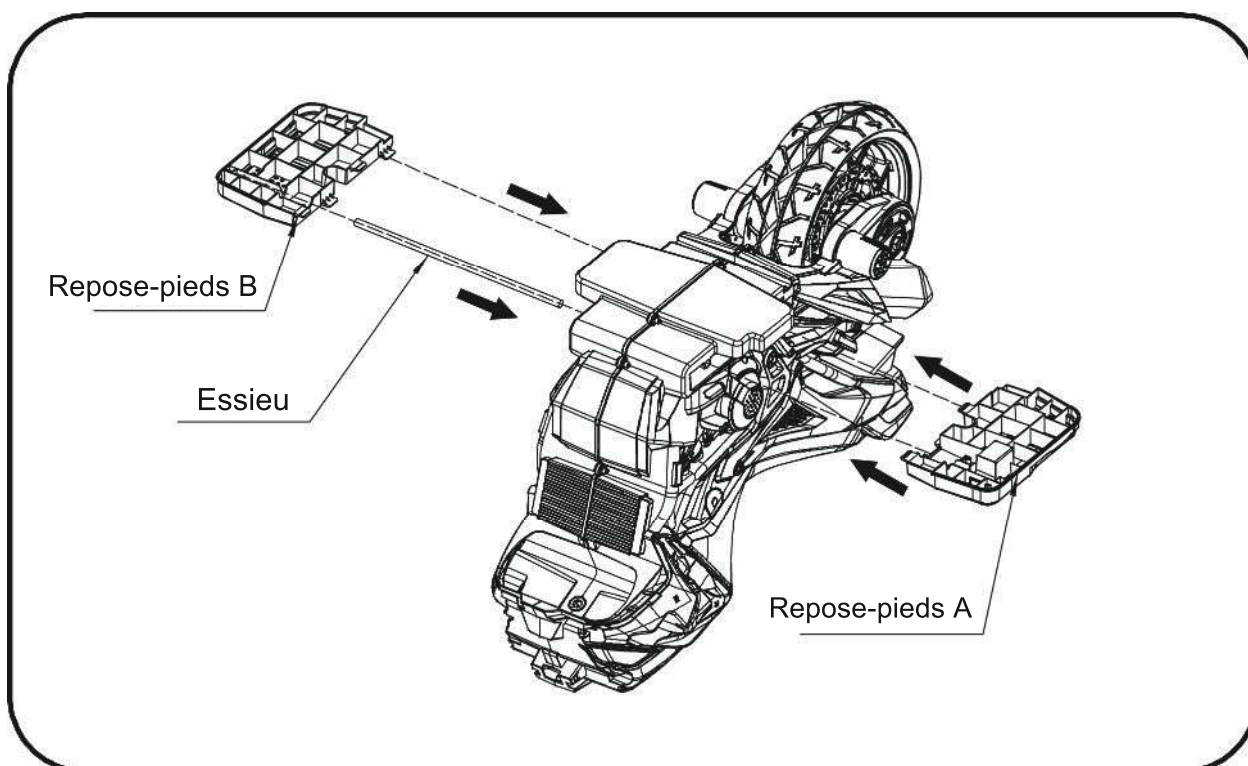


# Étapes d'assemblage

## 1. Installez le repose-pieds.



- Comme indiqué sur l'image, appuyez sur le connecteur et insérez le connecteur dans le trou.

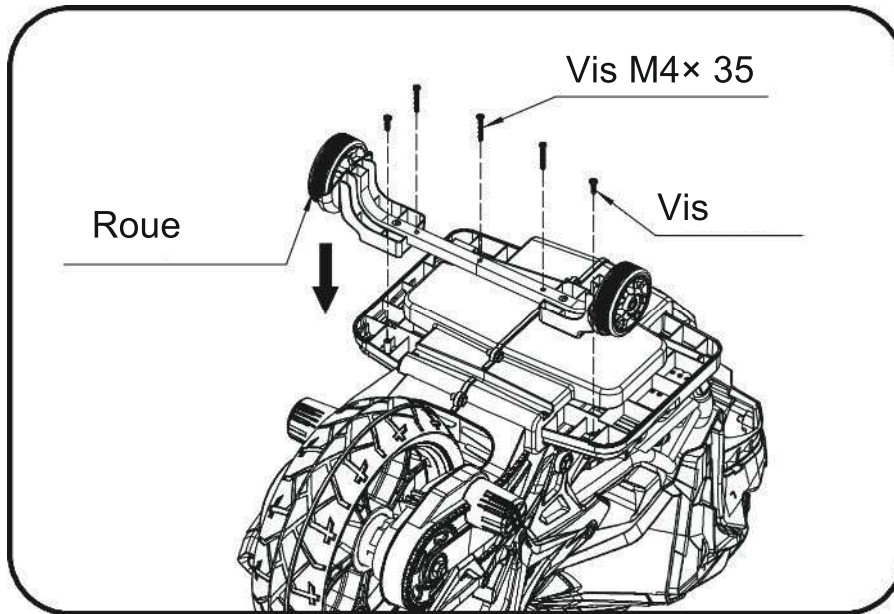


- Comme indiqué sur l'image, faire passer l'essieu à travers la carrosserie de la voiture.
- Comme indiqué sur l'image, pousser les deux repose-pieds dans le sens de la flèche et s'assurer qu'ils sont bien en place.



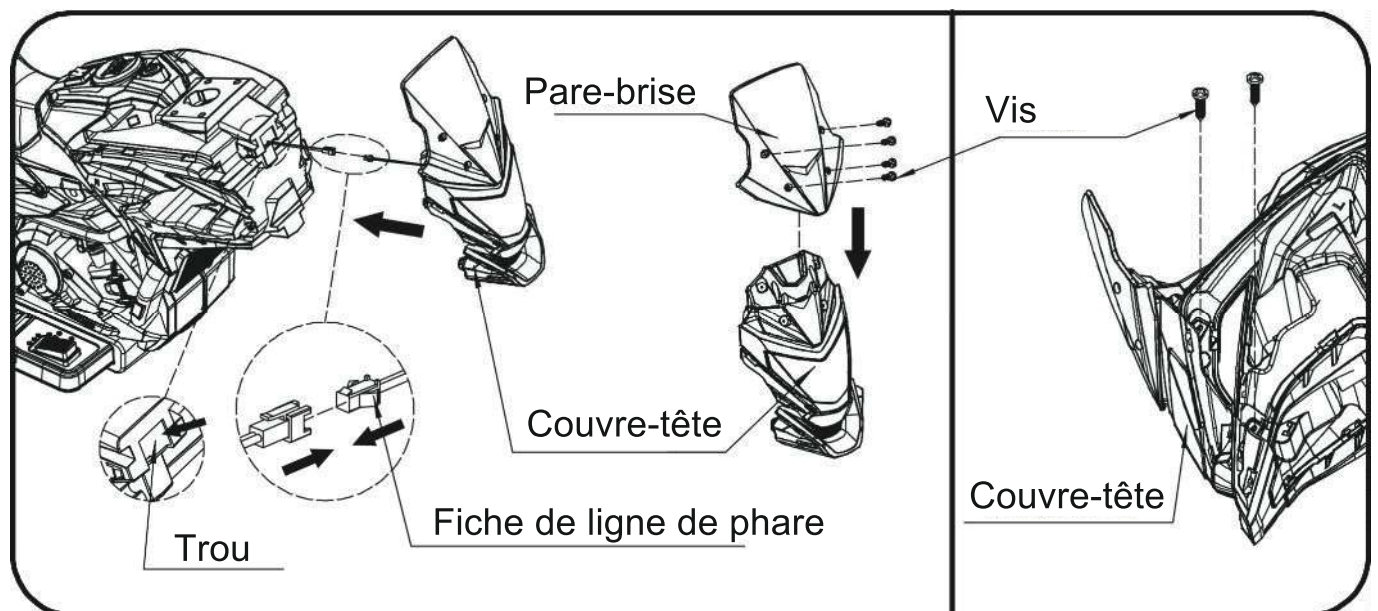
# Étapes d'assemblage

## 2. Installez la roue d'entraînement.



- Comme indiqué sur l'image, retournez la carrosserie, installez la roue d'entraînement à l'endroit correspondant et fixez-la avec des vis.

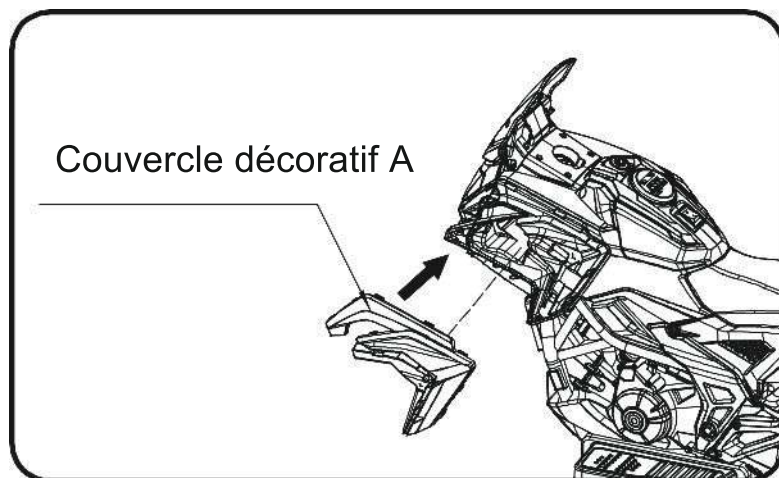
## 3. Installez le couvre-tête



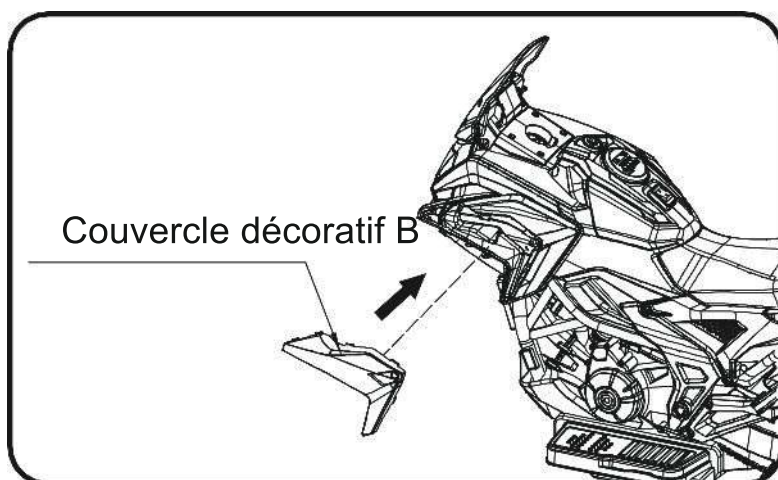
- Comme indiqué sur l'image, installer le pare-brise à l'endroit correspondant et le fixer à l'aide de vis.
- La fiche de la ligne de phare est mise bout à bout, et la fiche est insérée dans le trou.
- Comme indiqué sur l'image, installer le couvre-tête à l'endroit correspondant et le fixer à l'aide de vis.

# Étapes d'assemblage

## 4. Installez le couvre-tête

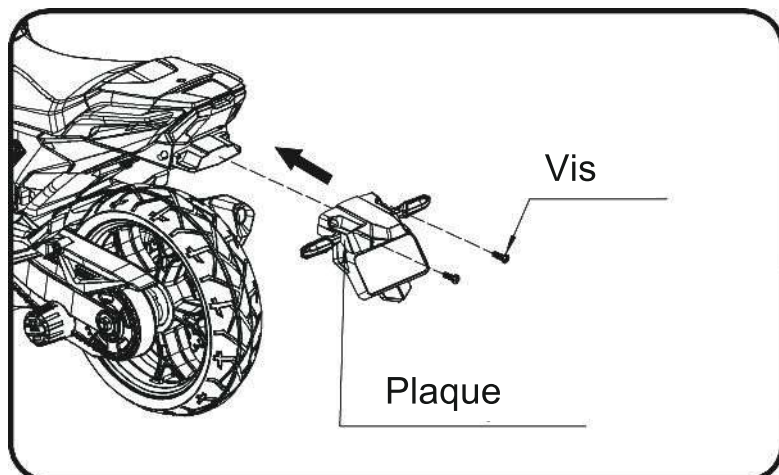


- Comme indiqué sur l'image, installez le cache décoratif A à l'endroit correspondant.



- Comme indiqué sur l'image, installez le cache décoratif B à l'endroit correspondant.

## 5. Installer la plaque d'immatriculation.

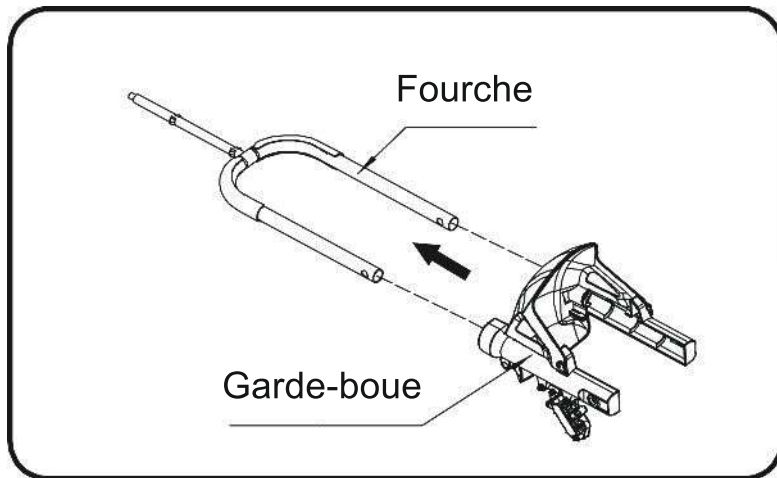


- Comme indiqué sur l'image, installez la plaque d'immatriculation à l'endroit correspondant et fixez-la à l'aide de vis.



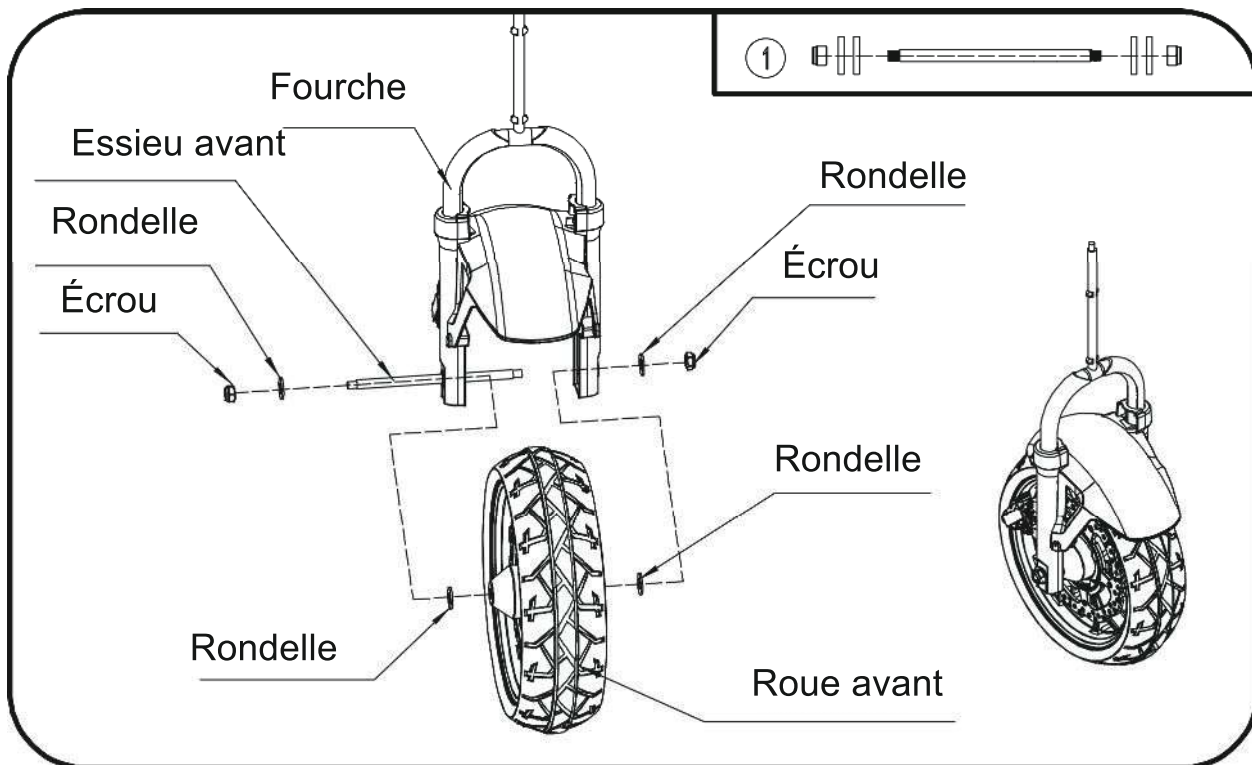
# Étapes d'assemblage

## 6. Installez le garde-boue.



- Comme indiqué sur l'image, installer le garde-boue à l'endroit correspondant.

## 7. Installez la roue avant.

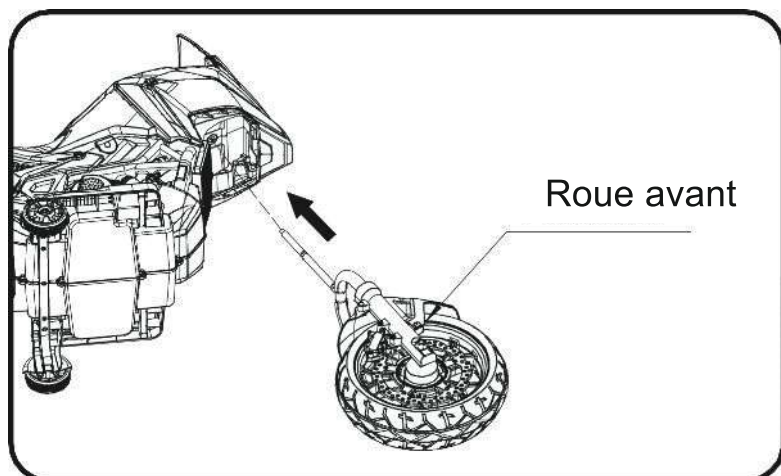


- Comme le montre la figure 1, déconnectez les pièces de l'essieu avant.
- Comme le montre l'image, faire passer l'essieu avant par la fourche, puis installer successivement la rondelle, la roue avant et la rondelle.
- Puis, à travers la fourche, installer les rondelles des deux côtés et les fixer à l'aide d'écrous.

# Étapes d'assemblage

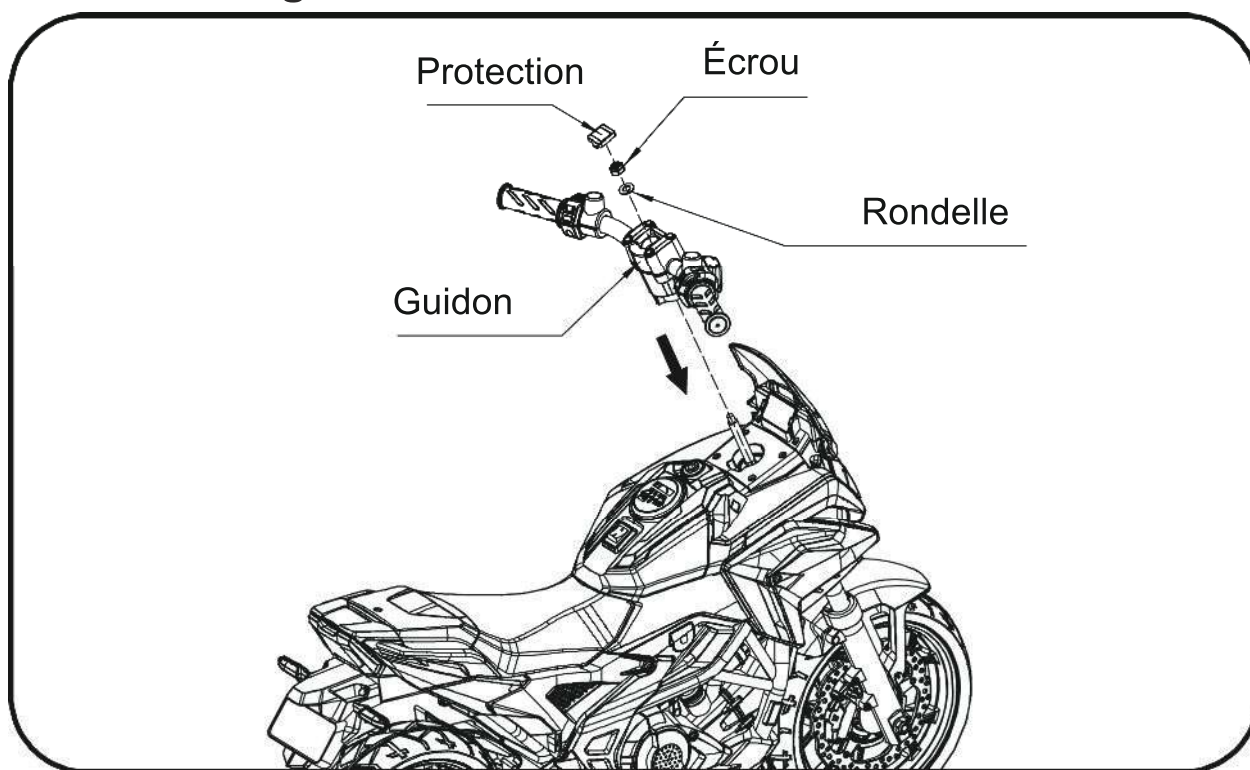
---

## 8. Installez la roue avant.



- Comme indiqué sur l'image, faire passer la roue avant à travers la carrosserie du véhicule.

## 9. Installez le guidon.

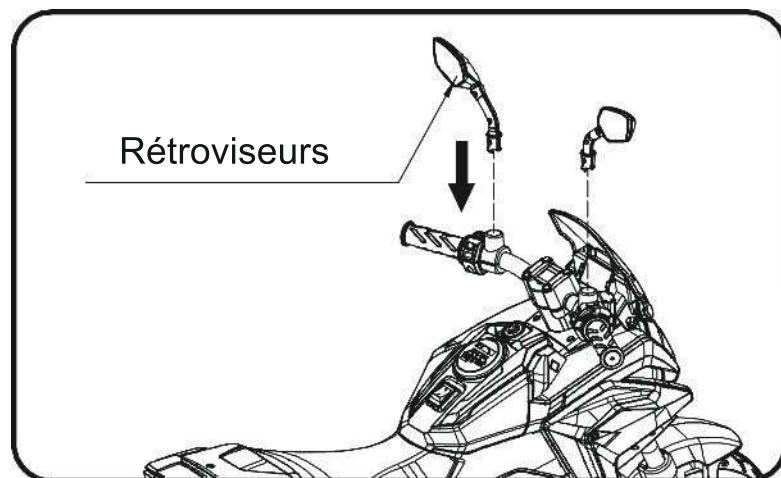


- Comme indiqué sur l'image, installer le guidon à l'endroit correspondant, et le fixer avec l'écrou, la rondelle et la protection.

# Étapes d'assemblage

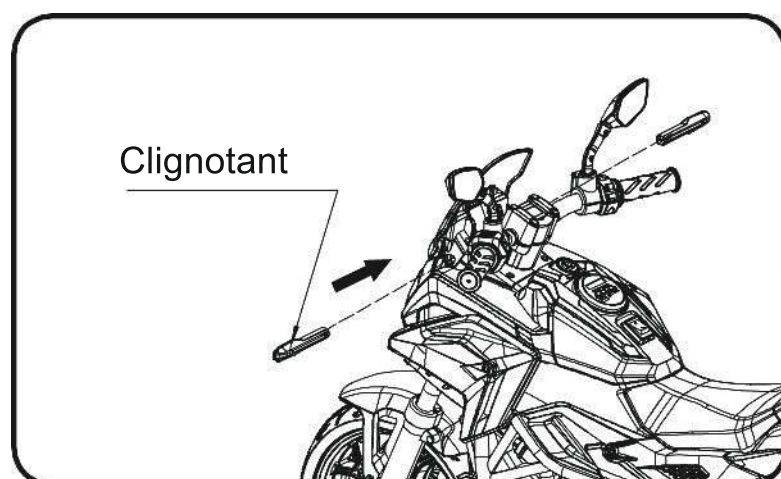
---

## 10. Installez le rétroviseur.



- Comme indiqué sur l'image, appuyez sur le rétroviseur vers le bas pour le fixer.

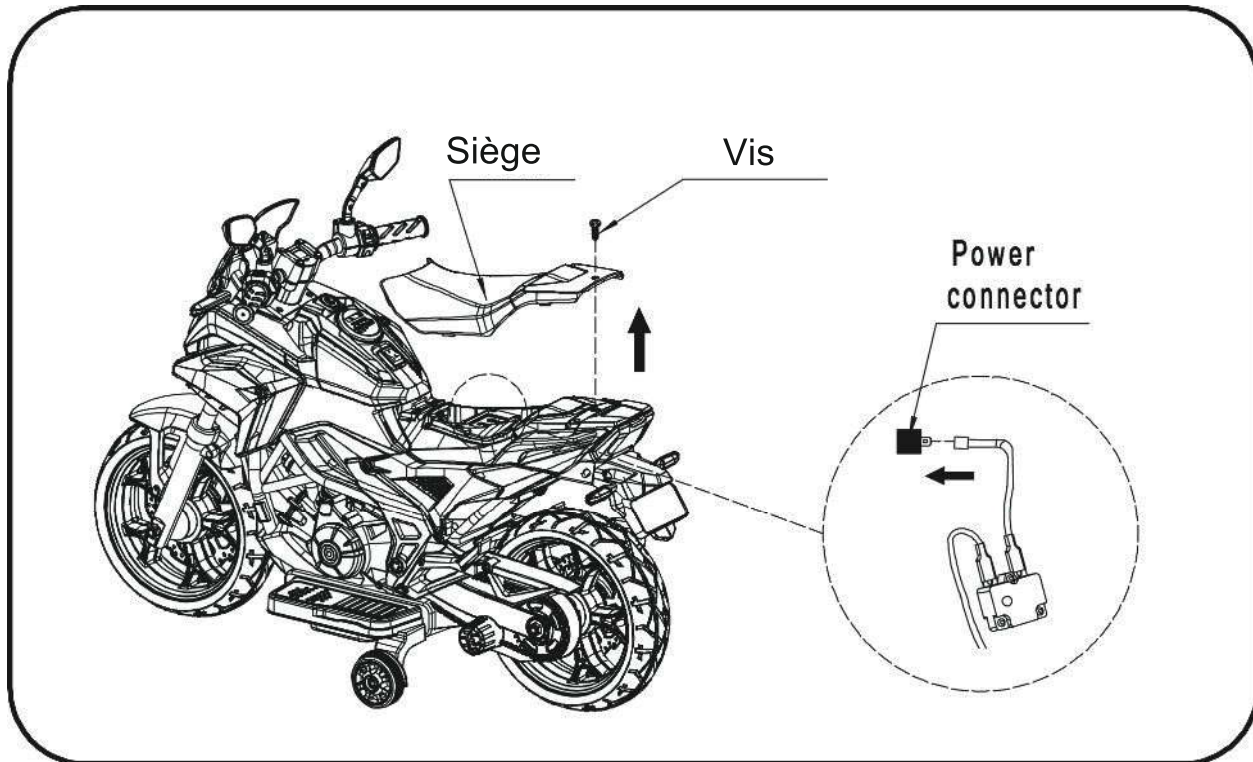
## 11. Installez le clignotant.



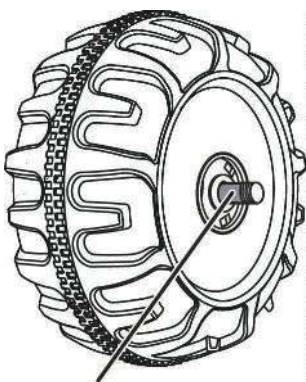
- Comme indiqué sur l'image, pousser les deux clignotants dans le sens de la flèche et s'assurer qu'ils sont bien en place.

# Étapes d'assemblage

## 12. Branchez l'alimentation électrique.



- Comme indiqué sur l'image, dévissez la vis et ouvrez le siège.
- Branchez le connecteur d'alimentation sur la borne de la batterie, comme indiqué.
- Installez ensuite le siège à l'endroit correspondant et fixez-le à l'aide de la vis.



ESPACE

### COMPLÈMENT IMPORTANT AU MANUEL D'INSTRUCTION

Après avoir assemblé chaque roue sur les essieux, veuillez vérifier l'espace entre le filetage de la vis et le dispositif pliable (voir l'image ci-dessous). Si l'espace est trop grand, veuillez ajouter deux ou trois rondelles à l'intérieur de la roue. Mais après avoir serré l'écrou à l'extérieur de la roue, veuillez tourner la roue avec votre doigt pour vérifier si elle peut tourner librement. C'est très important, car si la roue peut tourner librement, c'est bon, mais si l'écrou appuie sur la roue et que la roue ne peut pas tourner librement, le moteur risque de se casser facilement ! Ensuite, vous devez diminuer une ou deux rondelles pour vous assurer que la roue peut tourner librement !

# Comment utiliser votre moto

## **AVERTISSEMENT !**

### **PRÉVENIR LES BLESSURES ET LES DÉCÈS :**

- **NE JAMAIS LAISSER UN ENFANT SANS SURVEILLANCE. UNE SUPERVISION DIRECTE D'UN ADULTE EST NÉCESSAIRE.** Gardez toujours l'enfant à portée de vue lorsque l'enfant est dans le véhicule.
- **Ne pas utiliser sur la voie publique, à proximité de voitures, sur ou près de pentes raides ou de marches, de piscines ou d'autres étendues d'eau.**
- **Toujours porter des chaussures.**
- **Toujours s'asseoir sur le siège.**
- **Convient aux enfants de 3+ ans ; le poids maximal de l'utilisateur est de 30 kg.**
- **Ne pas utiliser dans la circulation.**

Ne pas utiliser dans la circulation. Avant de l'utiliser, assurez-vous que les tâches sont déjà accomplies :

- **Important !** Avant d'utiliser le véhicule pour la première fois, la batterie doit être chargée pendant 8 à 12 heures, pas plus de 20 heures. Seul un adulte doit charger ou recharger la batterie.
- **Finir l'assemblage complet de la moto en suivant les étapes décrites dans le manuel.** Le paquet enfichable de la batterie de stockage a déjà été inséré correctement, l'alimentation a déjà été mise en marche.
- **Tous les endroits nécessitant une vis doivent garantir que la vis a déjà été serrée.**

Règles de conduite en toute sécurité

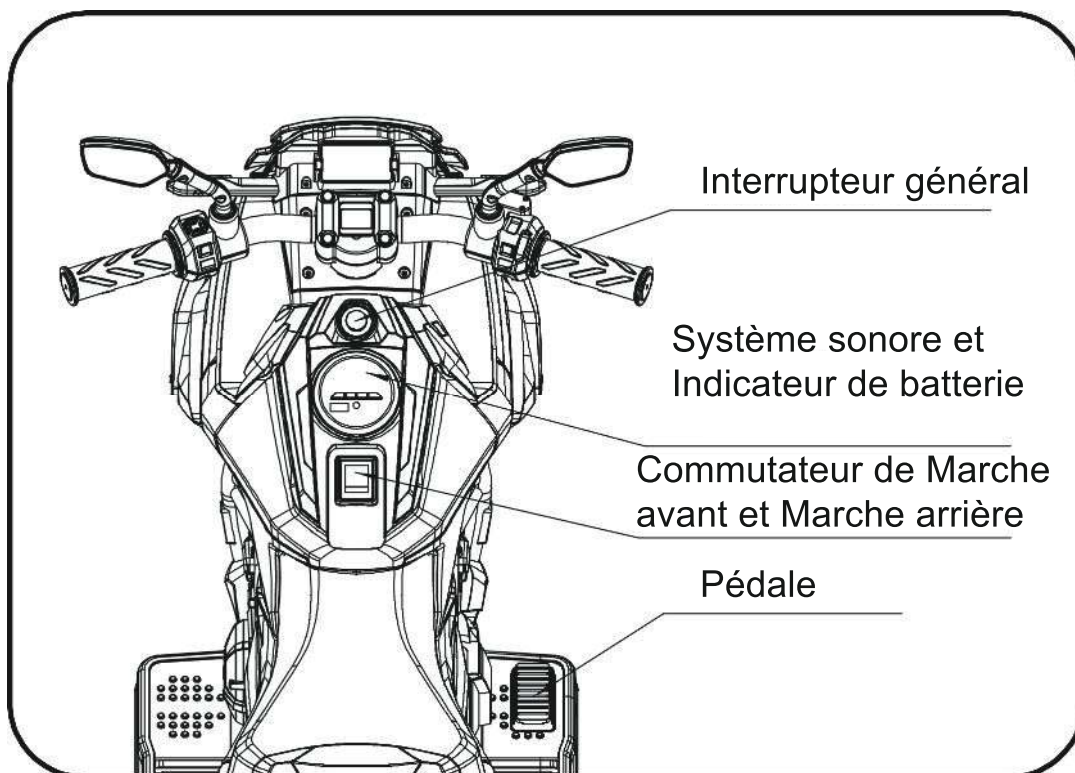
**LISEZ CES RÈGLES À HAUTE VOIX À VOTRE ENFANT ET À SES CAMARADES DE JEU ET ASSUREZ-VOUS QU'ILS LES COMPRENNENT !**

- **Ce jouet n'est pas à l'épreuve des pannes.** Toujours porter un casque et des vêtements de protection lors de la conduite.
- **Surveillance directe d'un adulte requise.**
- **Gardez les enfants dans des zones de conduite sûres :**
- **Ne pas utiliser sur la voie publique, à proximité de véhicules motorisés, sur un espace de pelouse, sur ou près de pentes raides ou de marches, de piscines ou d'autres étendues d'eau.**
- **Utilisez le jouet uniquement sur des surfaces planes, telles que l'intérieur de votre maison, le jardin ou l'aire de jeux.**
- **Ne pas utiliser dans l'obscurité.** Un enfant pourrait rencontrer des obstacles inattendus et avoir un accident. Faites fonctionner le véhicule uniquement pendant la journée ou dans un endroit bien éclairé.
- **Il n'est pas recommandé de conduire le véhicule sur des surfaces mouillées ou sur des pentes de plus de 15 degrés.**
- **Ne pas utiliser ce véhicule à l'extérieur lorsqu'il pleut ou qu'il neige.**
- **Assurez-vous de vous arrêter complètement avant de changer de direction, de l'avant vers l'arrière.**
- **Veillez respecter les limites de poids et d'âge autorisées pour conduire ce véhicule.**
- **Il est interdit de modifier le circuit ou d'ajouter d'autres pièces électriques.**
- **Inspectez périodiquement les fils et les connexions du véhicule.**
- **Pour éviter les accidents, assurez-vous que le véhicule est sécurisé avant de conduire.**
- **Ne laissez aucun enfant toucher les roues ou s'approcher d'elles lorsque la voiture est en mouvement.**



# Comment conduire votre moto

## Mode d'emploi



### **IMPORTANT !**

Arrêtez toujours le véhicule lorsque vous changez la vitesse ou la direction pour éviter d'endommager la boîte de vitesses et le moteur.

(1) Allumez d'abord l'interrupteur général d'alimentation, la musique peut être jouée.

(2) Avancer

Appuyez sur l'interrupteur "Avancer et Reculer" sur la position "Avant".

Appuyez sur la pédale.

Le véhicule avance.

(3) Arrêt

Retirez le pied de la pédale d'accélérateur pour arrêter la voiture.

(4) Reculer

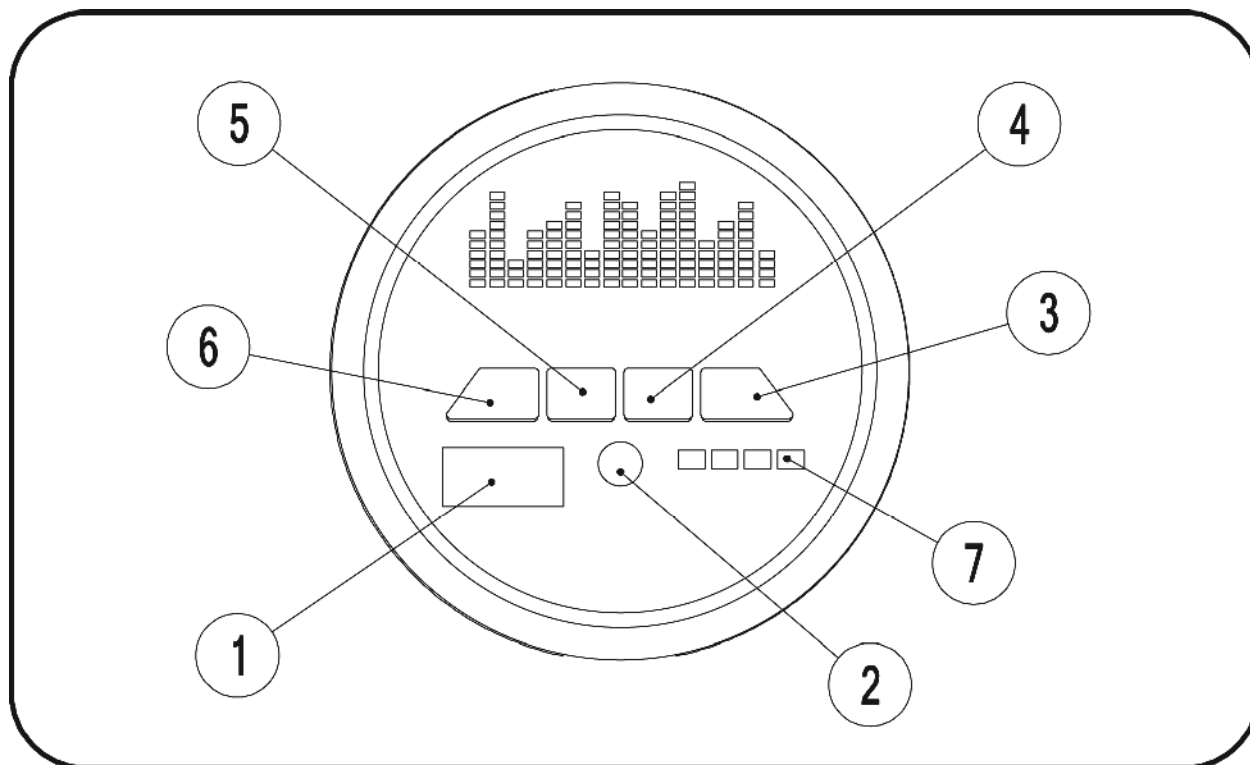
Appuyez sur l'interrupteur "Avancer et Reculer" sur la position "Arrière".

Appuyez sur la pédale.

Le véhicule recule.

# Comment conduire votre moto

## (5) Comment utiliser le système audio et l'Indicateur de batterie



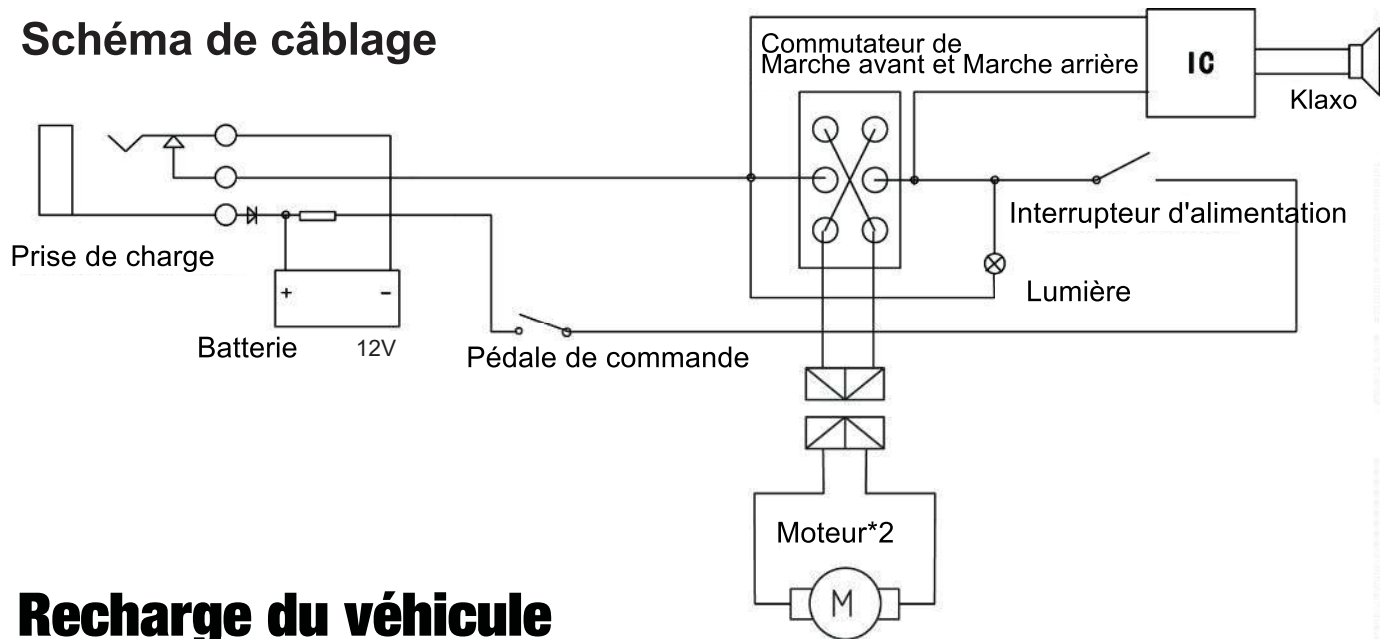
- 1. Fente pour périphérique de stockage.
- 2. Port AUX
- 3. Bouton de mode : Permet de passer du mode lecture de musique au mode connexion intelligente.

**Remarque : La voiture peut être recherchée et connectée par & avec le mobile en mode de connexion intelligente, pour lire la source sonore du mobile.**

- 4. Diminuer le volume/dernière chanson : Changer de chanson.
- 5. Augmenter le volume/chanson suivante : Changer de chanson.
- 6. Bouton de klaxon
- 7. Affichage de l'alimentation : Indique la puissance de la batterie et le niveau de charge.

# Comment conduire votre moto

## Schéma de câblage



## Recharge du véhicule

### SEUL UN ADULTE DOIT CHARGER ET RECHARGER LA BATTERIE !

Les piles non rechargeables ne doivent pas être rechargées ;

Il ne faut pas mélanger différents types de piles ou des piles neuves et usagées ;

Les piles doivent être insérées en respectant la polarité ;

Les piles épuisées doivent être retirées du jouet ;

Les bornes d'alimentation ne doivent pas être court-circuitées.

Les piles rechargeables ne doivent être chargées que sous la surveillance d'un adulte ;

Les piles épuisées doivent être retirées du jouet avant d'être chargées ;

Les transformateurs ou chargeurs de piles utilisés avec le jouet doivent être régulièrement examinés pour vérifier que le cordon, la fiche, le boîtier et les autres parties ne sont pas endommagés et, si c'est le cas, ils ne doivent pas être utilisés tant que les dommages n'ont pas été réparés.

## **AVERTISSEMENT !**

### • ÉVITEZ LES INCENDIES ET LES CHOCS ÉLECTRIQUES :

- Utilisez uniquement la batterie rechargeable et le chargeur fournis avec votre véhicule.

Ne remplacez JAMAIS la batterie ou le chargeur par une batterie ou un chargeur d'une autre marque. L'utilisation d'une autre batterie ou d'un autre chargeur peut provoquer un incendie ou une explosion.

- N'utilisez pas la batterie ou le chargeur pour un autre produit. Une surchauffe, un incendie ou une explosion pourraient se produire.

- Ne modifiez JAMAIS le circuit électrique. Toute modification du système électrique peut provoquer un choc, un incendie ou une explosion, ou endommager le système de manière permanente.

- Ne pas permettre de contact direct entre les bornes de la batterie. Un incendie ou une explosion pourrait se produire.

- Ne laissez aucun type de liquide entrer en contact avec la batterie ou ses composants.

# Recharge du véhicule

## **AVERTISSEMENT !**

### • ÉVITEZ LES INCENDIES ET LES CHOCS ÉLECTRIQUES :

- Des gaz explosifs sont créés pendant la charge. Ne chargez pas la batterie à proximité d'une source de chaleur ou de matériaux inflammables. Chargez la batterie **UNIQUEMENT** dans un endroit bien ventilé.

- Ne prenez **JAMAIS** la batterie par les fils ou le chargeur. La batterie risque d'être endommagée et de provoquer un incendie. Prenez la batterie par le boîtier **UNIQUEMENT**.

- Chargez la batterie dans un endroit sec **UNIQUEMENT**.

• Les bornes de la batterie, les terminaux et les accessoires connexes contiennent du plomb et des composés de plomb, des produits chimiques reconnus par l'État de Californie comme étant cancérigènes et nocifs pour la reproduction. Se laver les mains après manipulation.

• Ne pas ouvrir la batterie. La batterie contient de l'acide de plomb et d'autres matériaux toxiques et corrosifs.

• Ne pas ouvrir le chargeur. Les fils et les circuits exposés à l'intérieur du boîtier peuvent provoquer des chocs électriques.

Seuls les adultes sont autorisés à manipuler ou à charger la batterie. Ne laissez **JAMAIS** un enfant manipuler ou charger la batterie.

La batterie est lourde et contient de l'acide de plomb (électrolyte).

• Ne faites pas tomber la batterie. La batterie pourrait être endommagée de façon permanente ou provoquer des blessures graves.

• Avant de charger la batterie, vérifiez que la batterie, le chargeur, son cordon d'alimentation et les connecteurs ne sont pas usés ou endommagés. **NE PAS** charger la batterie si des pièces ont été endommagées.

• Ne pas laisser la batterie se vider complètement. Rechargez la batterie après chaque utilisation ou une fois par mois si elle n'est pas utilisée régulièrement.

• Ne pas charger la batterie à l'envers.

• Fixez toujours la batterie à l'aide du support. La batterie peut tomber et blesser un enfant si le véhicule se renverse.

• Il est recommandé que les jeunes enfants soient surveillés par un adulte.

• Le jouet doit être utilisé avec prudence car il faut être habile pour éviter les chutes ou les collisions susceptibles de blesser l'utilisateur ou des tiers.

• La prise de charge se trouve **SOUS LE SIÈGE**.

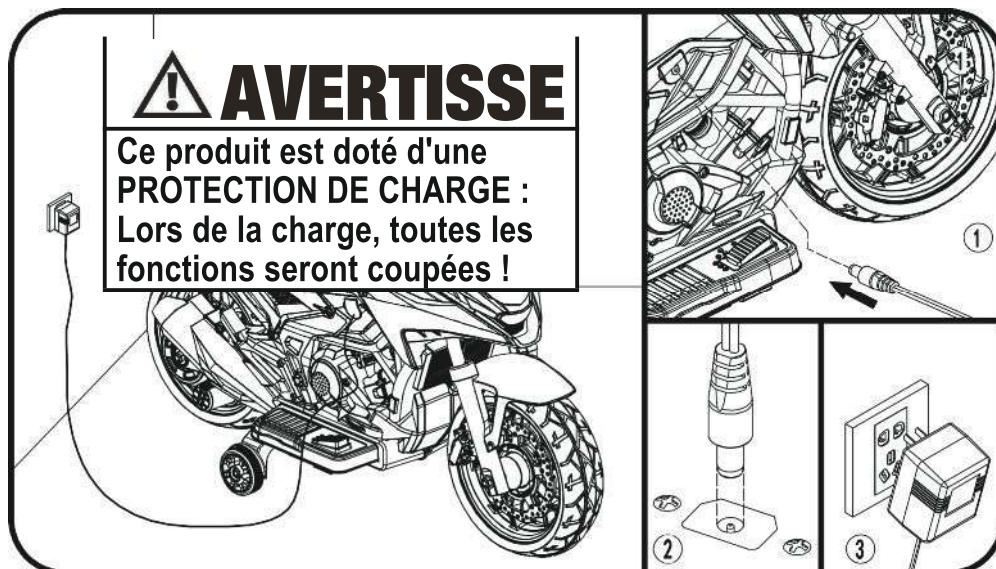
• L'**INTERRUPTEUR D'ALIMENTATION** doit être en position d'**ARRÊT** lors du chargement.

• Avant la première utilisation, vous devez charger la batterie pendant 8 à 12 heures. Ne rechargez pas la batterie pendant plus de 20 heures afin d'éviter une surchauffe du chargeur.

• Lorsque le véhicule commence à fonctionner lentement, rechargez la batterie.

• Après chaque utilisation ou une fois par mois, le temps de recharge minimum est de 8 à 12 heures, pas plus de 20 heures.

# Recharge du véhicule



1. Trouvez la prise d'entrée de charge sous le siège ;
2. Branchez le port du chargeur dans la prise d'entrée ;
3. Branchez la fiche du chargeur sur une prise murale. La batterie commence à se charger.



# Guide de dépannage

## **PROBLEMA: Il veicolo non funziona**

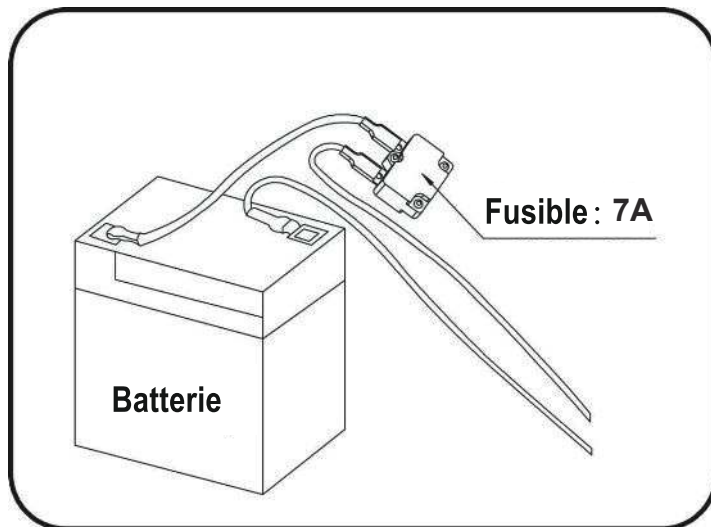
**PROBLÈME :** Le véhicule ne fonctionne pas.

**CAUSE POSSIBLE :** La batterie est peut-être déchargée.

Après chaque utilisation, ou au moins une fois par mois, chargez la batterie pendant 8 à 12 heures. Ne laissez pas la batterie sur le chargeur pendant plus de 20 heures.

**CAUSE POSSIBLE :** Le fusible thermique s'est déclenché.

Le véhicule est équipé d'un fusible à réarmement automatique. Lorsque le véhicule est surchargé ou mal utilisé, le fusible à réarmement automatique est coupé pendant 5 à 20 secondes avant de redevenir opérationnel. Le fusible à réarmement automatique se trouve sous le siège (voir l'image).



Pour éviter que le fusible ne coupe l'alimentation, suivez ces conseils :

**NE PAS** surcharger le véhicule, poids maximum autorisé : 30 kg.

**NE PAS** remorquer d'objet derrière le véhicule.

**NE PAS** conduire sur des pentes raides.

**NE PAS** heurter d'objets fixes, ce qui pourrait faire patiner les roues et provoquer une surchauffe du moteur.

**NE PAS** conduire par temps très chaud, les composants peuvent surchauffer.

**NE PAS** manipuler le système électrique, cela pourrait créer un court-circuit et provoquer le déclenchement du fusible.

**CAUSE POSSIBLE :** Les écrous de roue sont desserrés.

Si les écrous ne sont pas serrés, les roues ne s'engageront pas dans les engrenages avant. Serrer l'écrou à l'aide de la clé à écrou.

**CAUSE POSSIBLE :** Le connecteur ou les fils de la batterie sont desserrés.

Assurez-vous que les connecteurs de la batterie sont bien branchés les uns aux autres.

**CAUSE POSSIBLE :** La batterie est déchargée.

Avez-vous correctement entretenu la batterie en suivant les instructions ? La batterie est-elle vieille ? Il se peut que votre batterie doive être remplacée.

**CAUSE POSSIBLE :** Le système électrique est endommagé.

De l'eau peut avoir corrodé le système, ou des saletés, du gravier ou du sable peuvent avoir bloqué l'interrupteur.

**CAUSE POSSIBLE :** Le moteur est endommagé.

Le moteur doit être réparé par un professionnel.

## **■ PROBLEME : La batterie ne se recharge pas.**

**CAUSE POSSIBLE :** Le connecteur de la batterie ou le connecteur de l'adaptateur est desserré.

Assurez-vous que le connecteur de la batterie et le connecteur de l'adaptateur sont fermement branchés l'un à l'autre.

# Guide de dépannage

---

CAUSE POSSIBLE : Le chargeur n'est pas branché.

Assurez-vous que le chargeur est branché sur la prise murale et que la prise est sous tension.

CAUSE POSSIBLE : Le chargeur ne fonctionne pas.

Le chargeur est-il chaud pendant la charge ? Si ce n'est pas le cas, il se peut que le chargeur soit cassé et doive être remplacé.

Guide de dépannage

## ■ PROBLEME : Le véhicule ne fonctionne pas très longtemps.

CAUSE POSSIBLE : La batterie est peut-être insuffisamment chargée.

Il se peut que vous ne chargiez pas la batterie assez longtemps. Après chaque utilisation, ou au moins une fois par mois, chargez la batterie pendant 8 à 12 heures. Ne laissez pas la batterie sur le chargeur pendant plus de 20 heures.

CAUSE POSSIBLE : La batterie est vieille.

La batterie finira par ne plus pouvoir tenir la charge. En fonction de l'utilisation et des conditions variables, la batterie devrait fonctionner pendant un à trois ans. Remplacez la batterie par une neuve.

## ■ PROBLEME : La batterie émet un bourdonnement ou un gargouillement lors de la charge.

Ce phénomène est normal et n'est pas inquiétant. Elle peut également être silencieuse pendant la charge, ce qui est également normal.

## ■ PROBLEME : Le chargeur est chaud lors de la recharge de la batterie.

Ce phénomène est normal et n'est pas inquiétant.

# Entretien de votre moto

---

- Il incombe aux parents de vérifier les principales parties du jouet avant utilisation. Doit examiner régulièrement les dangers potentiels, tels que la batterie, la charge, le câble ou la corde, la prise, les vis de fixation de l'enceinte ou d'autres pièces et, en cas de tels dommages, le jouet ne doit pas être utilisé tant que ces dommages n'ont pas été correctement éliminés.
- Assurez-vous que les pièces en plastique du véhicule ne sont ni fissurées ni cassées.
- Utilisez occasionnellement une huile légère pour lubrifier les pièces mobiles telles que les roues.
- Garez le véhicule à l'intérieur ou couvrez-le d'une bâche pour le protéger des intempéries.
- Éloignez le véhicule des sources de chaleur, telles que les poêles et les radiateurs. Les pièces en plastique pourraient fondre.
- Rechargez la batterie après chaque utilisation. Seul un adulte doit manipuler la batterie. Rechargez la batterie au moins une fois par mois lorsque le véhicule n'est pas utilisé.
- Ne lavez pas le véhicule avec un tuyau. Ne lavez pas le véhicule avec de l'eau et du savon. Ne conduisez pas le véhicule par temps de pluie ou de neige. L'eau endommagera le moteur, le système électrique et la batterie.

## **Entretien de votre moto**

---

- Nettoyez le véhicule avec un chiffon doux et sec. Pour redonner de l'éclat aux pièces en plastique, utilisez un poli pour meubles sans cire. Ne pas utiliser de cire pour voiture. Ne pas utiliser de nettoyants abrasifs.
- Ne conduisez pas le véhicule dans de la terre meuble, du sable ou du gravier fin qui pourraient endommager les pièces mobiles, les moteurs ou le système électrique.
- Lorsqu'il n'est pas utilisé, toutes les sources électriques doivent être éteintes. Éteignez l'interrupteur d'alimentation et débranchez la connexion de la batterie.

# Mise au rebut de la batterie

---

Mise au rebut de la batterie



- Votre batterie plomb-acide scellée doit être recyclée ou éliminée dans le respect de l'environnement.
  - Ne jetez pas votre batterie au plomb dans un feu. La batterie risque d'exploser ou de fuir.
  - Ne vous débarrassez pas d'une batterie plomb-acide avec vos ordures ménagères. L'incinération, l'enfouissement ou le mélange de batteries plomb-acide scellées avec les ordures ménagères sont interdits par la loi.
  - Retournez une batterie épuisée à votre centre local de recyclage de batteries au plomb agréé, tel qu'un vendeur local de batteries automobiles.
  - Contactez les responsables locaux de la gestion des déchets pour obtenir d'autres informations concernant le recyclage et l'élimination écologiquement rationnels des batteries au plomb.
  - La batterie ne doit être chargée que par un adulte. veuillez charger le produit avant de l'utiliser !
  - Le jouet ne doit pas être connecté à des puissances excessives (plus que la quantité spécifiée ici), et il ne doit pas être utilisé pendant le processus de charge.
  - Toute batterie rechargeable ne doit être chargée que sous la surveillance d'un adulte.
  - Le chargeur de batterie doit régulièrement vérifier que les fils, les fiches, le boîtier et les autres pièces ne sont pas endommagés et les dommages constatés doivent cesser d'être utilisés et être restaurés.
  - Ouvrez le couvercle du compartiment à piles de la télécommande et placez deux piles, en respectant la polarité des piles.  
Remplacez le couvercle du compartiment des piles et verrouillez le tout à l'aide de vis (le remplacement des piles doit être effectué par un adulte, conformément aux étapes ci-dessus).
  - Toutes les piles doivent être insérées en respectant la polarité.
  - Les piles non rechargeables ne doivent pas être chargées, veuillez retirer toute pile épuisée du jouet.
- 
- Ne mélangez pas de vieilles et de nouvelles piles, ou ne mélangez pas différents types de piles.
  - Le chargeur de batterie utilisé avec le jouet doit être régulièrement examiné pour vérifier que le cordon, la fiche, le boîtier et les autres pièces ne sont pas endommagés et, si tel est le cas, il ne doit pas être utilisé tant que ces dommages n'ont pas été réparés.

**Nos produits sont conformes aux normes  
ASTM F963 ; GB6675, GB19865 ; EN71 et EN62115.**

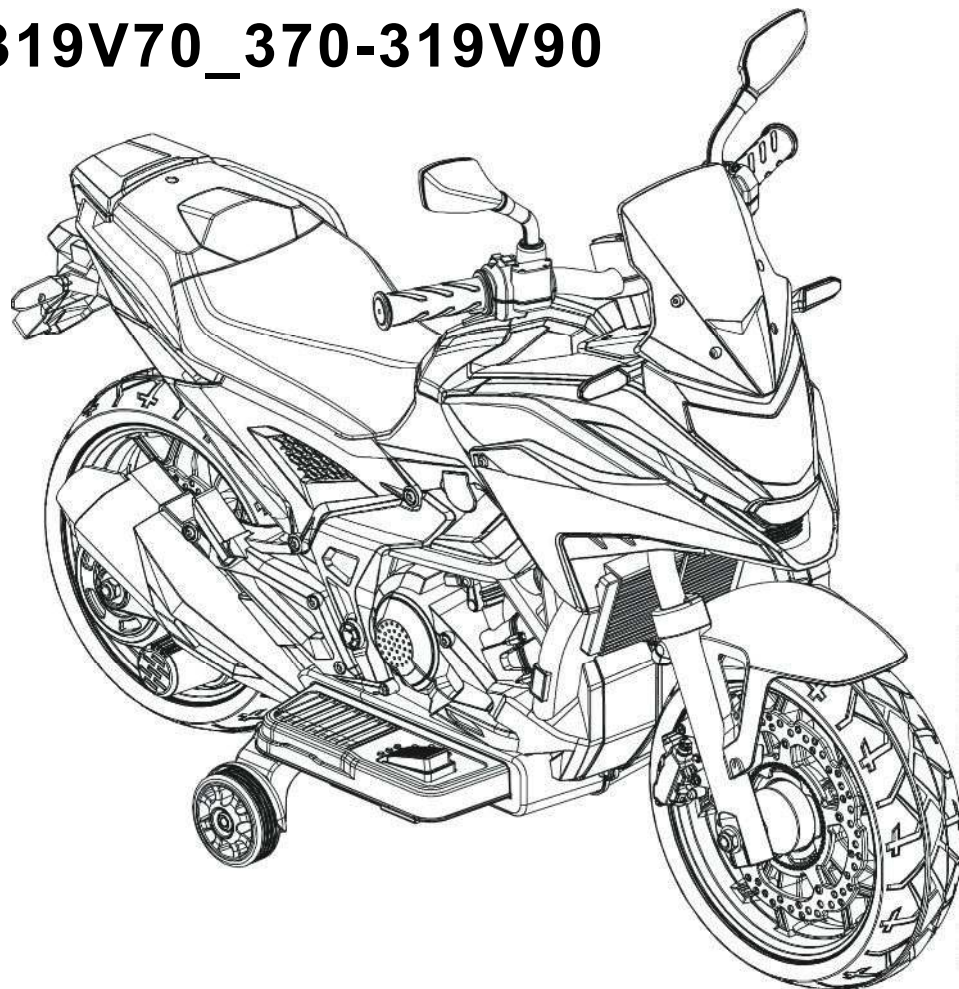
# AIYAPLAY

ES

## INFANTIL MOTO DE JUGUETE ELÉCTRICA

IN240200182V02\_UK\_FR\_ES\_PT\_DE\_IT

370-319V70\_370-319V90



- Adecuado para mayores de 3+ años
- Peso máximo del usuario: 30 kg
- Requiere montaje por parte de un adulto



## MANUAL DE INSTRUCCIONES

Lea y comprenda todo el manual antes de utilizar el aparato.

Conserve este manual para futuras consultas, ya que contiene información importante.  
Antes del primer uso, cargue la batería durante al menos 8-12 horas, no más de 20 horas.



# Tabla de contenidos

---

1. Acerca de su nueva motocicleta

2. Lista de piezas

3. Diagrama de piezas

4. Pasos de montaje

5. Cómo operar su motocicleta

6. Cargando la motocicleta

7. Guía de solución de problemas

8. Mantenimiento de su motocicleta

9. Eliminación de la batería

## Acerca de tu nueva motocicleta

---

Gracias por comprar nuestros productos, queremos que su hijo disfrute de este producto durante años. Tenga en cuenta estos puntos mientras lee esta guía:

<b>Edad:</b>	3+ años	<b>Batería:</b>	DC 12V 4.5AH *1
<b>Carga máx.:</b>	máximo 30 Kg	<b>Medidas:</b>	1070*460*750mm
<b>Velocidad:</b>	3Km/h		
<b>Material:</b>	PP	<b>Temperatura óptima:</b>	Por debajo de 40°C Evita usar bajo el sol
<b>Cargador:</b>	Entrada: Se muestra en el cargador	<b>Tiempo carga:</b>	8-12 horas, máx. 20 horas
	Salida: DC 12V	<b>Fusible:</b>	F7A, Auto-reinicio
	Entrada: DC 0.5A	<b>Vida útil:</b>	12 a 18 meses

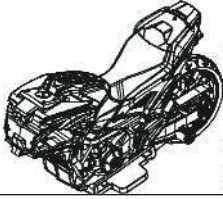
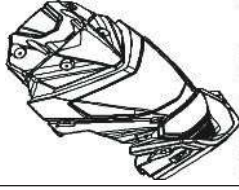
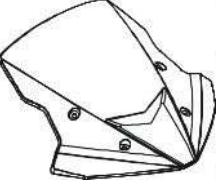
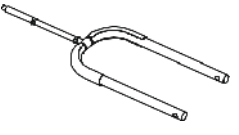
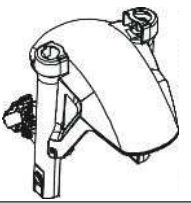
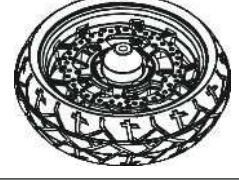
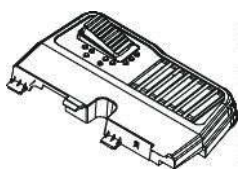
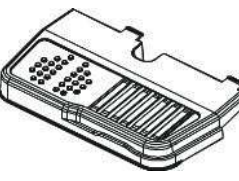

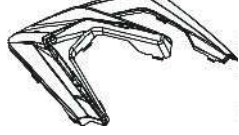

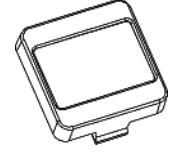

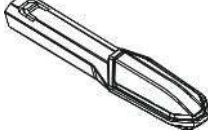
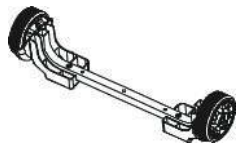
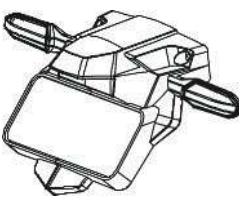


## ADVERTENCIA



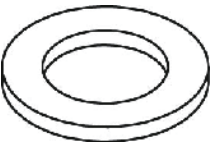
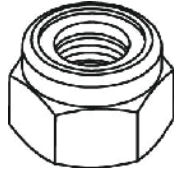
**POR LA SEGURIDAD DE TU HIJO, POR FAVOR LEE TODAS LAS ADVERTENCIAS E INSTRUCCIONES DE MONTAJE/USO. GUARDA ESTA GUÍA PARA FUTURA REFERENCIA.**

- **SE REQUIERE MONTAJE POR UN ADULTO.** El producto contiene piezas pequeñas, que son solo para el montaje por un adulto. Mantén a los niños pequeños alejados durante el montaje.
- Siempre retira el material protector y las bolsas de plástico y deséchalos antes del montaje.


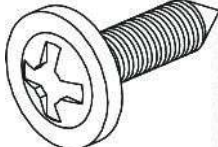
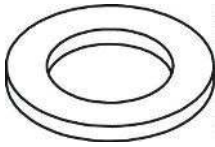

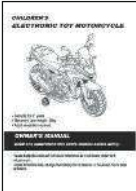
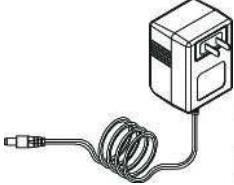
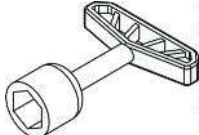
# Lista de Partes

Nº	NOMBRE	IMAGEN	Q,ty (pcs)	NOTAS	Nº	NOMBRE	IMAGEN	Q,ty (pcs)	NOTAS
1	Carrocería		1		2	Superior		1	
3	Parabrisas		1		4	Horquilla		1	
5	guardabarro		1		6	Rueda delante		1	
7	Reposapiés A		1	Derecha	8	Reposapiés B		1	izquierda
9	Cubierta decorativa A		1 par		10	Cubierta decorativa B		1 par	
11	manillar		1		12	Tapa		1	
13	Retrovisores		1 par		14	Señal giro		2	
15	Ruedines		1		16	Placa marca		1	

# Lista de Partes

Nº	NOMBRE	IMAGEN	Q,ty (pcs)	NOTAS	Nº	NOMBRE	IMAGEN	Q,ty (pcs)	NOTAS
17	eje delante		1		18	eje		1	
19	Arandela		4	Colocado en el eje	20	rosca		2	Colocado en el eje

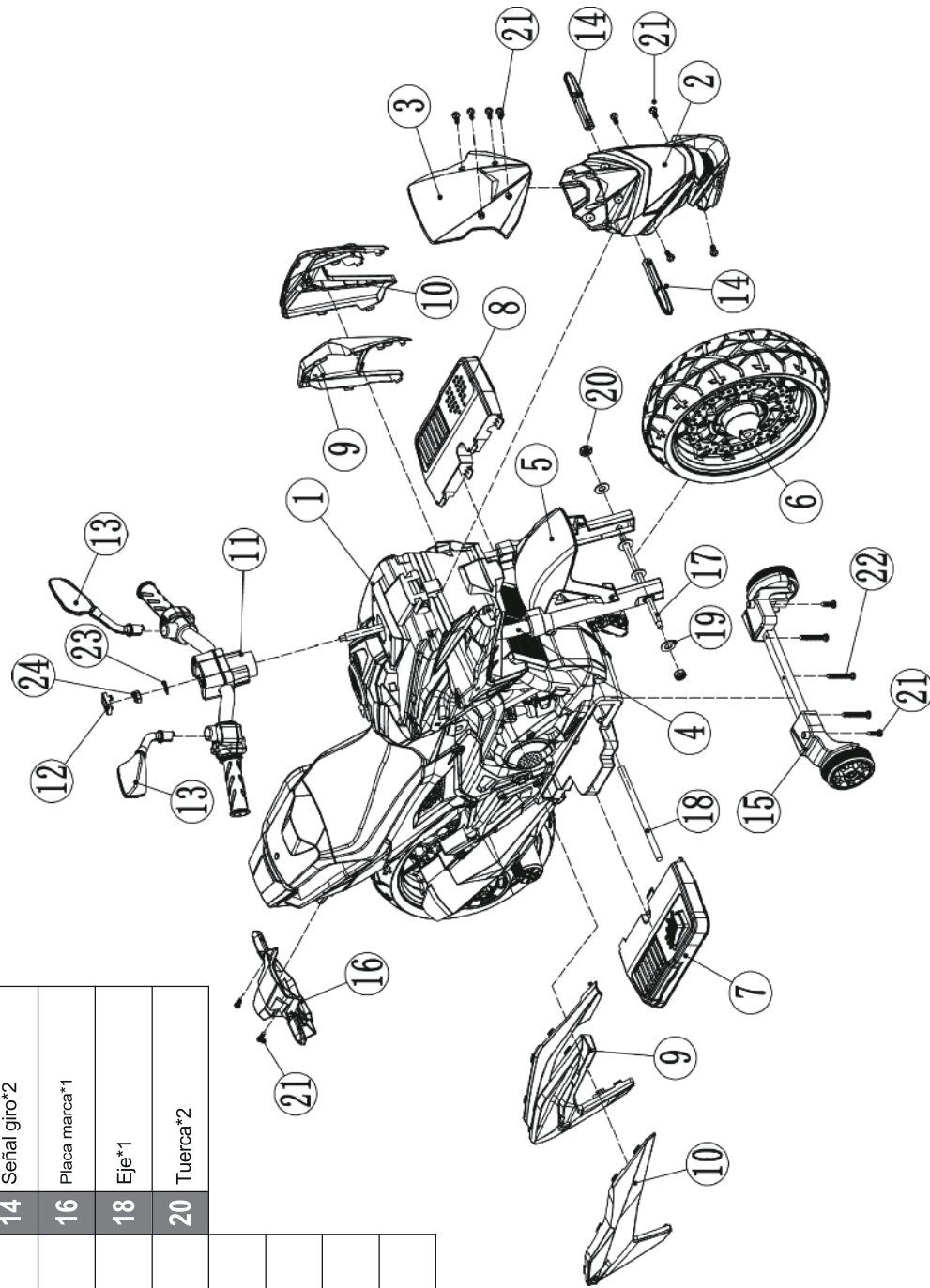
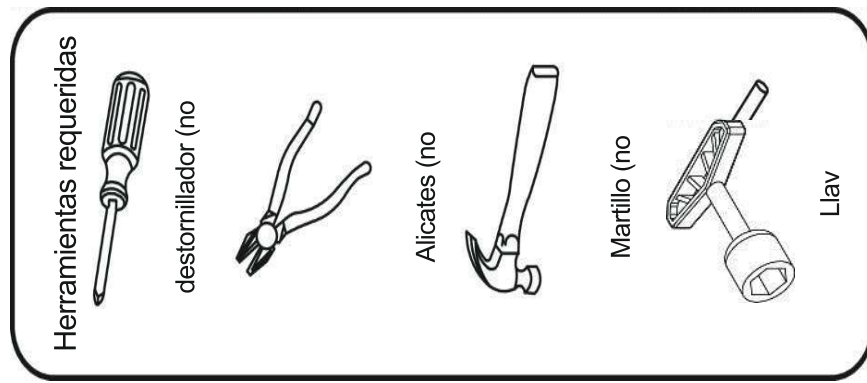
## Embalaje de montaje

Nº	NOMBRE	IMAGEN	Q,ty (pcs)	NOTAS	Nº	NOMBRE	IMAGEN	Q,ty (pcs)	NOTAS
21	Tornillo		12		22	M4X35 tornillo		3	
23	Arandela		1		24	Tuerca		1	
25	manual de instrucciones		1		26	Cargador		1	
27	Llave		2						

# Diagrama de partes

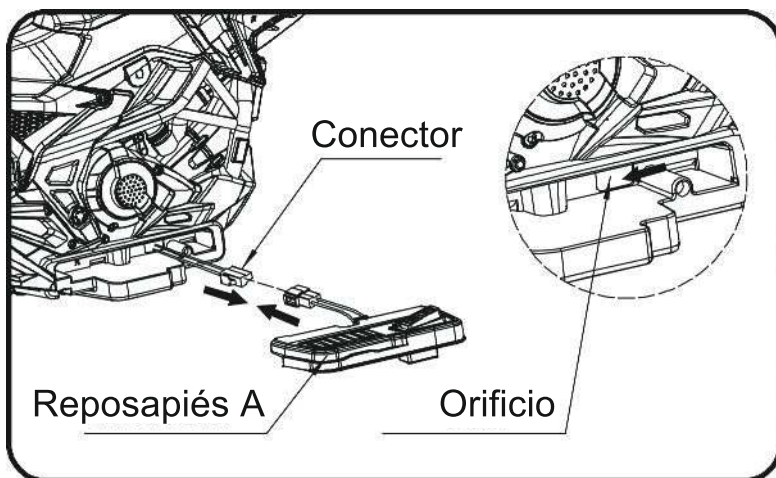
1	Carrocería*1	2	Cubierta *1	3	Parabrisas*1
4	Horquilla*1	5	Guardabarros*1	6	Rueda frontal*1
7	Reposapiés A*1	8	Reposapiés B*1	9	Tapa decorativa A*2
10	Tapa decorativa B*2	11	Manillar*1	12	Tapa*1
13	Retrovisores*2	14	Señal giro*2		
15	Ruedines*1	16	Placa marca*1		
17	Eje frontal*1	18	Eje*1		
19	Arandela *4	20	Tuerca*2		
21	Tornillo *12				
22	M4X25 Tornillo*3				
23	Arandela*1				
24	Tuerca*1				

**NOTA:**Algunas partes mostradas están montadas en ambos lados del vehículo.

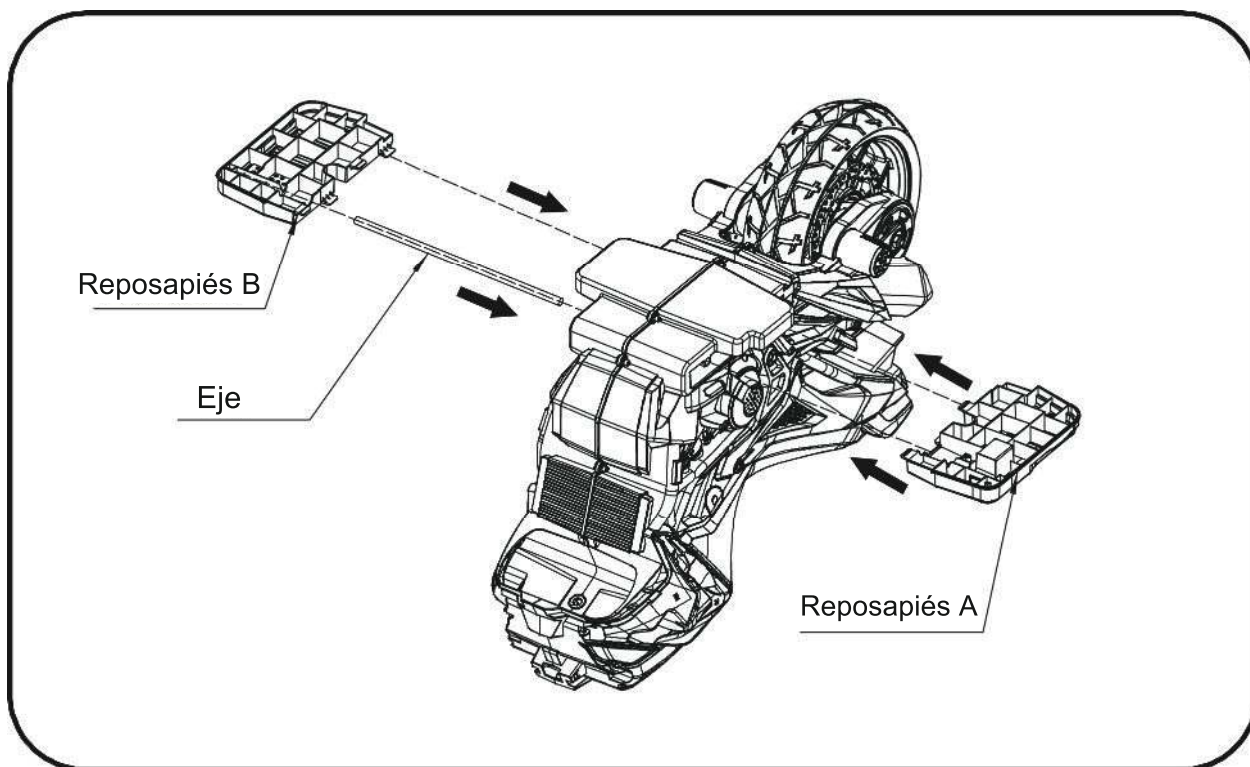


# Pasos de montaje

## 1.1.Instalar el reposapiés



- Tal y como se muestra en la imagen, coloque el tapón en el orificio.

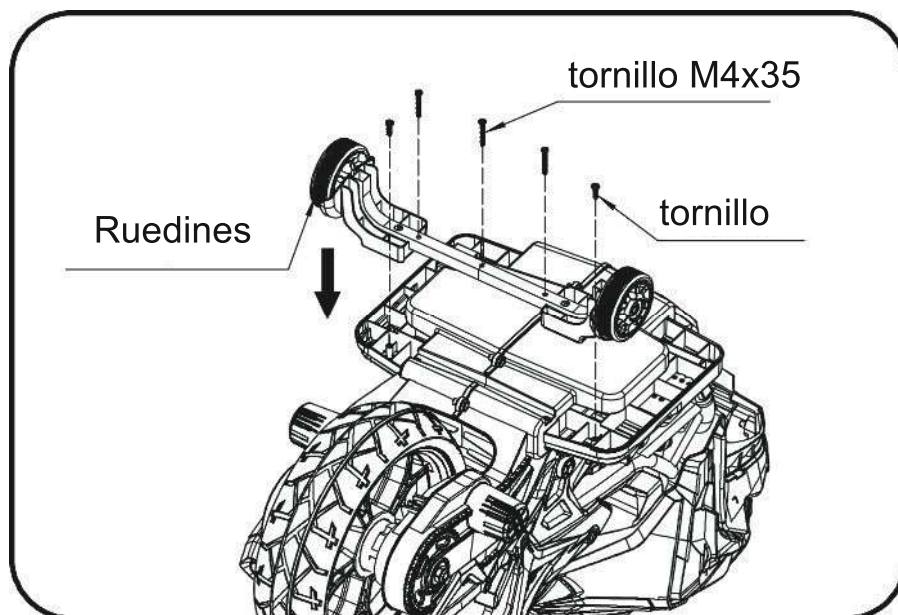


- Como se indica en la figura, pase el eje por la carrocería.
- Como se muestra en la imagen, empuje las dos patas de acuerdo con la dirección de la flecha y asegúrese de que encajan en su posición.



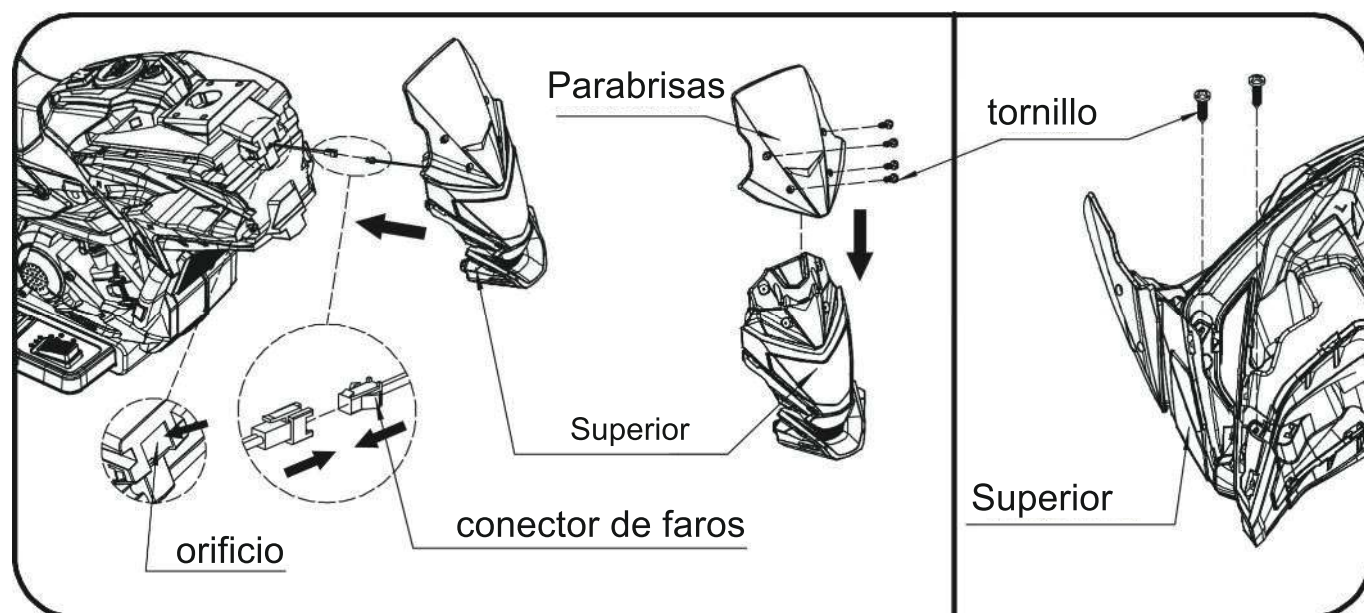
# Pasos de montaje

## 2.Instalar los ruedines



- Como se muestra en la figura, dé la vuelta a la carrocería, coloque la rueda de aprendizaje en el lugar correspondiente y fíjela con tornillos.

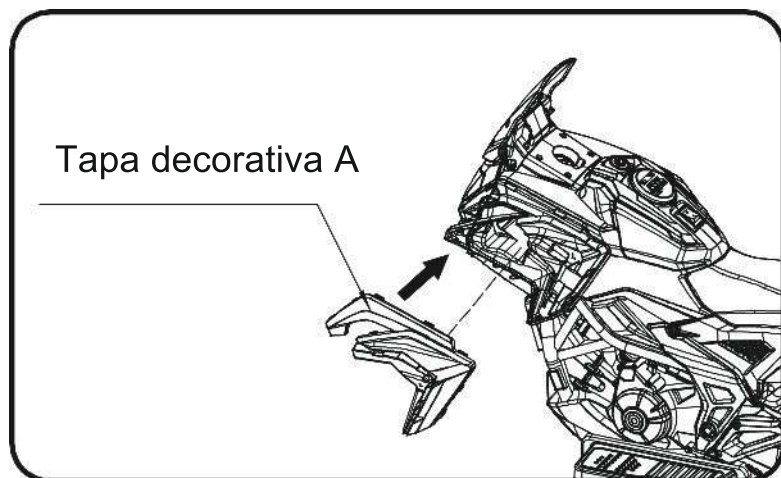
## 3.Instalar la cubierta frontal



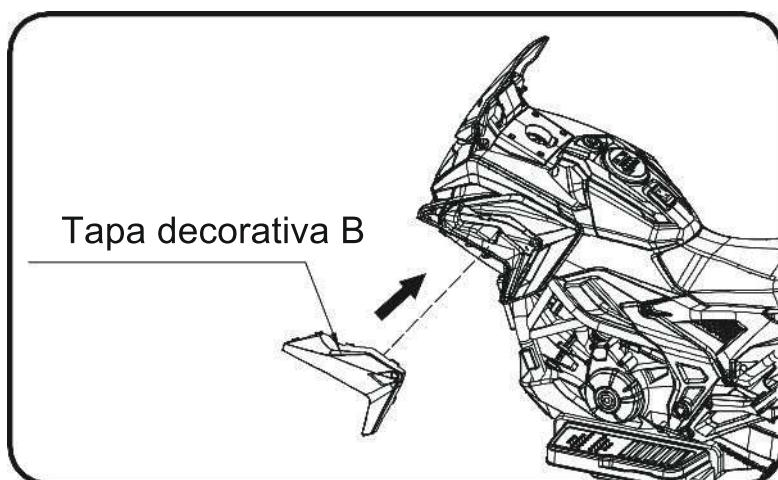
- Como se muestra en la imagen, instale el parabrisas en el lugar correspondiente y fíjelo con tornillos.
- Enchufe la clavija del faro y coloque la clavija en el orificio.
- Como se muestra en la imagen, instale la tapa del cabezal en el lugar correspondiente y fíjela con tornillos.

# Pasos de montaje

## 4.Instalar la cubierta decorativa

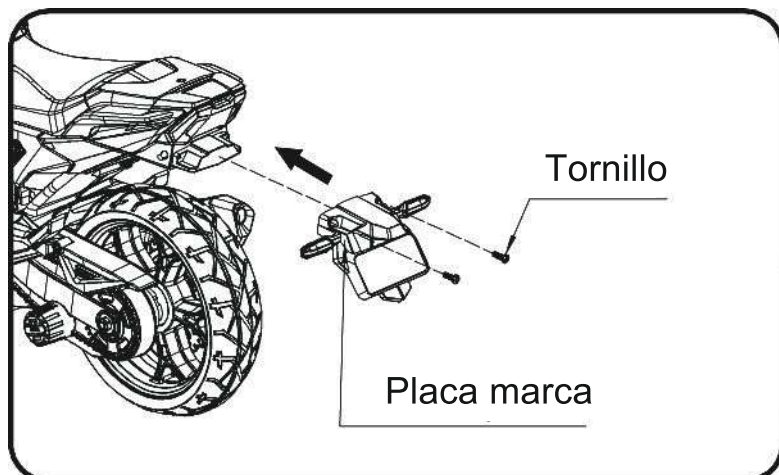


- Como se muestra en la imagen, instale la cubierta decorativa en el lugar correspondiente.



- Como se muestra en la imagen, instale la cubierta decorativa B en el lugar correspondiente.

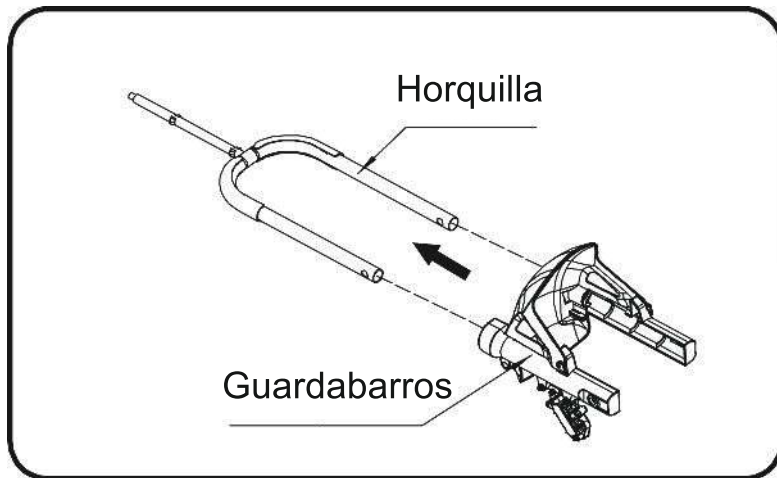
## 5.Instalar la placa de matrícula



- Como se muestra en la imagen , instale la placa de matrícula en el lugar correspondiente y fijela con tornillos.

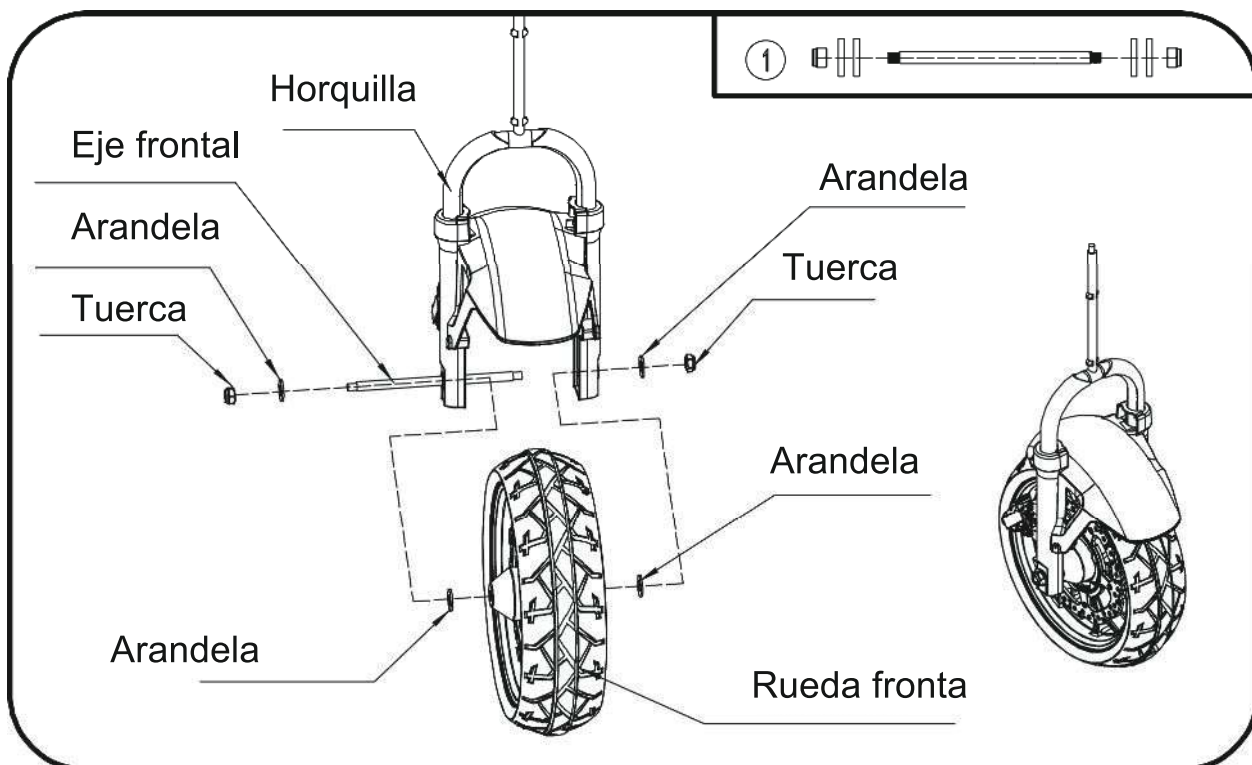
# Pasos de montaje

## Instalar el guardabarros



- ☒ Como se muestra en la imagen , instale el guardabarros en el lugar correspondiente.

## 7.Instalar la rueda frontal

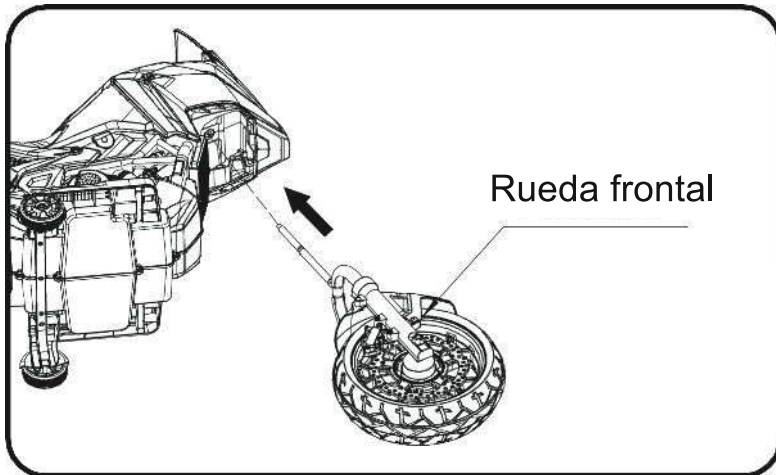


- Como se muestra en la figura 1, desconecte las piezas del eje delantero.
- Como se muestra en la figura, pase el eje delantero por la horquilla e instale secuencialmente la arandela, la rueda delantera y la arandela.
- A continuación, pase la horquilla e instale las arandelas en ambos lados y sujételas con tuercas.

# Pasos de montaje

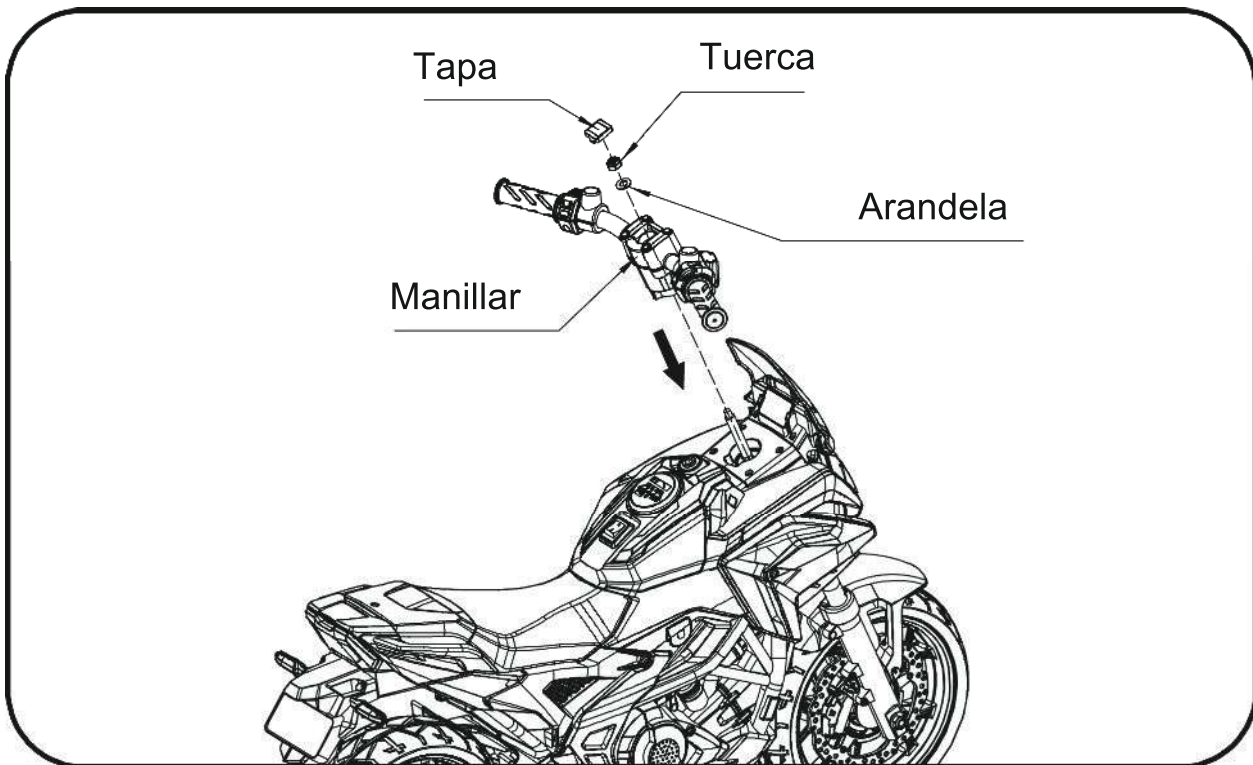
---

## 8.Instalar la rueda frontal



- Como se muestra en la imagen , coloque la rueda delantera a través de la carrocería del vehículo.

## 9.Instalar el manillar



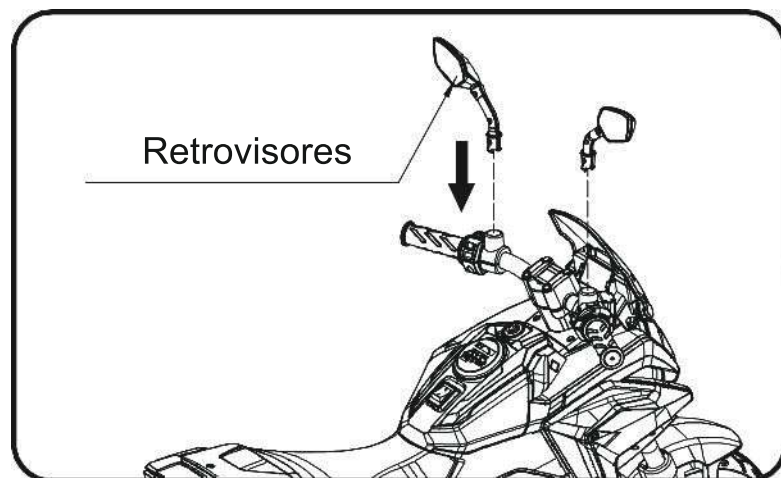
- Como se muestra en la imagen, instale el asa en el lugar correspondiente y fíjela con la tuerca, la arandela y la tapa.



# Pasos de montaje

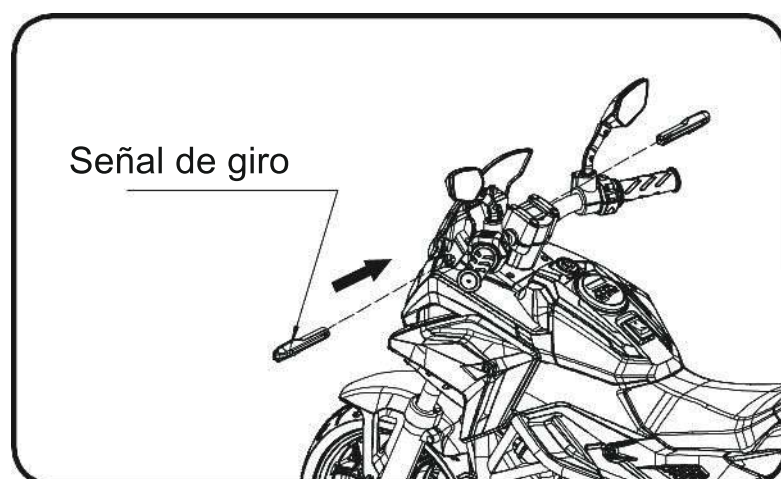
---

## 10. Instalar los retrovisores



- Como se muestra en la imagen, presione el espejo retrovisor hacia abajo para fijarlo.

## 11. Instalar las señales de giro

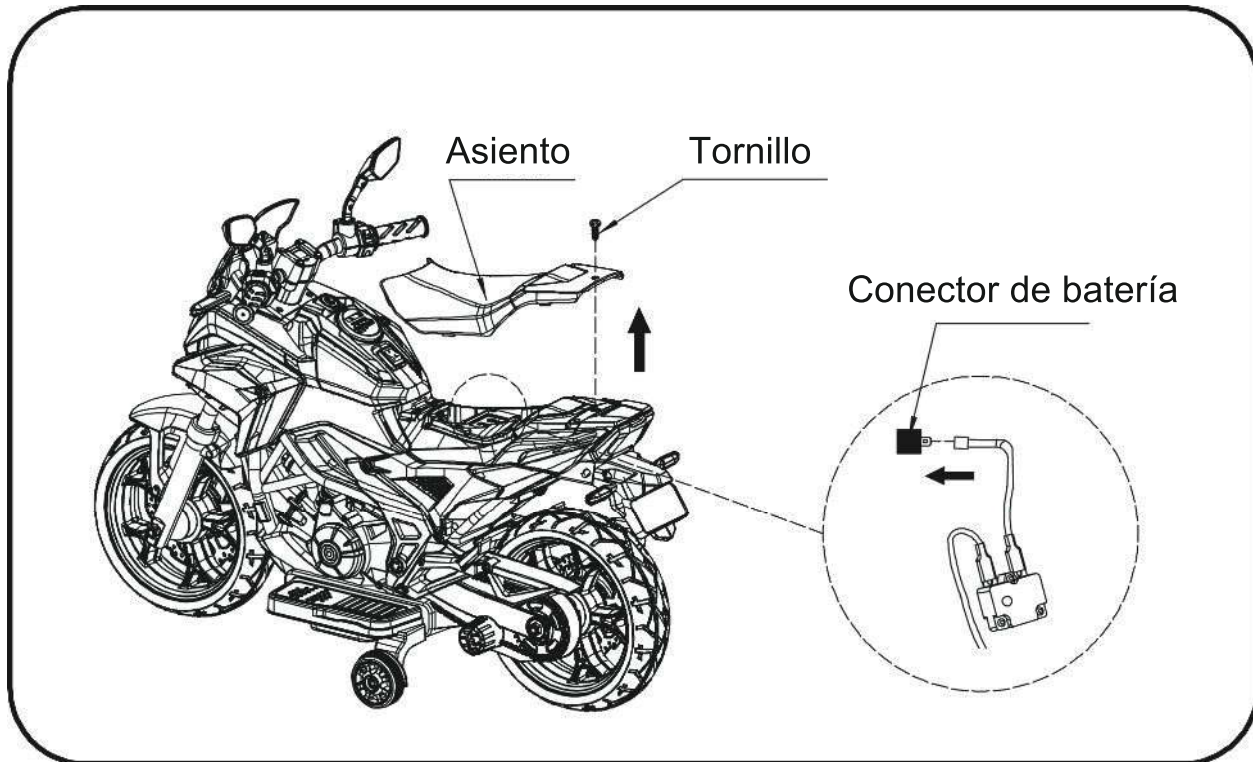


- Como se muestra en la imagen, empuje la señal de giro en la dirección de la flecha y asegúrese de colocarla en su posición.

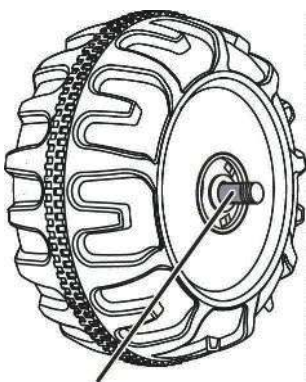


# Pasos de montaje

## 12. Conectar la batería



- Como se muestra en la imagen, desenrosque el tornillo y abra el asiento.
- Enchufe el conector de alimentación en el terminal de la batería que se muestra.
- A continuación, colóquelo en el lugar correspondiente y fíjelo con el tornillo.



GAP

### IMPORTANTE SUPLEMENTO AL MANUAL DE INSTRUCCIONES

Después de montar cualquier rueda en los ejes, por favor verifica el espacio entre la rosca del tornillo y el elemento plegable (refiérete a la imagen de abajo). Si el espacio es demasiado grande, por favor añade dos o tres arandelas dentro de la rueda. Pero después de apretar la tuerca fuera de la rueda, por favor gira la rueda con tu dedo para verificar si la rueda puede girar suavemente. Esto es muy importante, porque si la rueda puede girar suavemente, está bien, pero si la tuerca presiona la rueda y la rueda no puede girar suavemente, ¡el motor se romperá fácilmente! Entonces necesitas quitar una o dos arandelas para asegurarte de que la rueda pueda girar suavemente!

# Cómo manejar la motocicleta

## ADVERTENCIA

### **PREVENIR LESIONES Y MUERTES:**

- **NUNCA DEJE AL NIÑO SIN SUPERVISIÓN. SE REQUIERE SUPERVISIÓN DIRECTA DE UN ADULTO.**

Siempre mantenga al niño a la vista cuando esté en el vehículo.

- Nunca use en carreteras, cerca de automóviles, en o cerca de pendientes empinadas o escalones, piscinas u otros cuerpos de agua.
- Siempre use zapatos.
- Siempre siéntese en el asiento.
- Apto para mayores de 3+ años; el peso máximo del usuario es de 30 kg.
- No debe usarse en el tráfico.

Debe confirmar antes de usar que se ha terminado el siguiente trabajo:

- ¡Importante! Antes de usar el vehículo por primera vez, la batería necesita ser cargada durante 8 a 12 horas, no más de 20 horas. Solo un adulto puede cargar o recargar la batería.
- Finalizar el ensamblaje completo de la motocicleta de acuerdo con los pasos que describió el manual. El paquete de batería ya ha sido insertado correctamente, la energía ya ha sido conectada.
- Todos los lugares que necesitan el tornillo garantizan que el tornillo ya ha sido bloqueado.

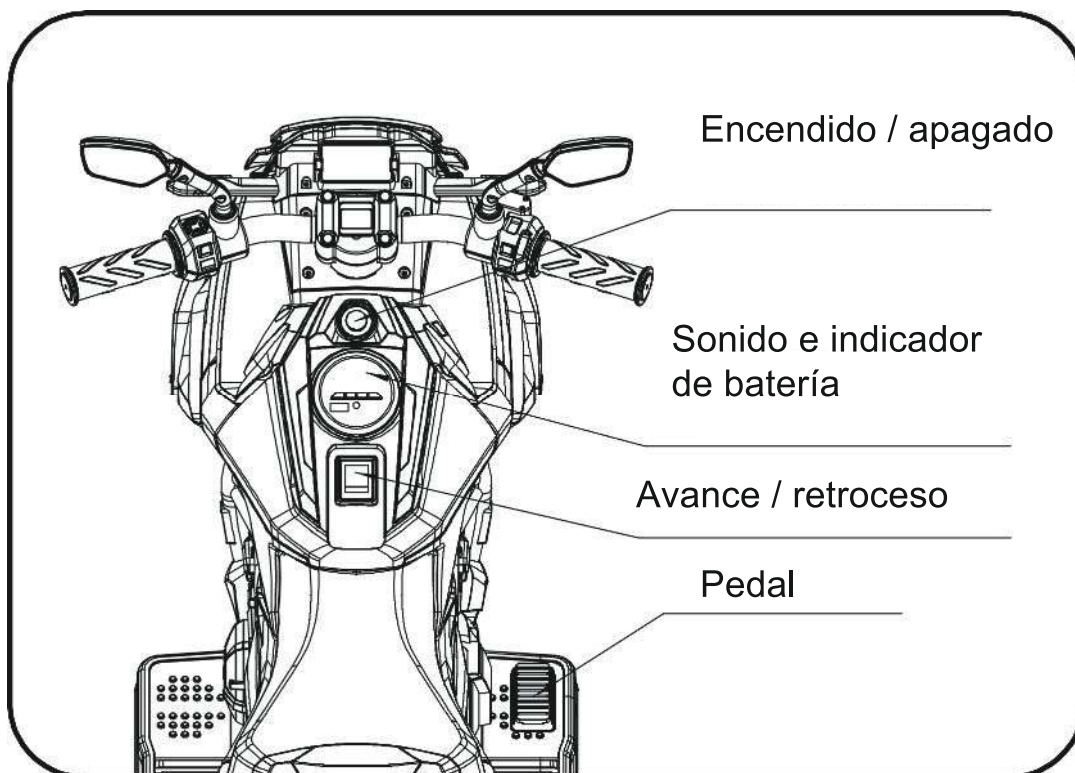
## **Reglas para un manejo seguro**

**¡LEA ESTAS REGLAS EN VOZ ALTA A SU HIJO Y SUS AMIGOS Y ASEGÚRESE DE QUE LAS ENTIENDAN!**

- Este juguete no tiene frenos. Siempre use un casco y ropa protectora al montar.
- Se requiere supervisión directa de un adulto.
- Mantenga a los niños dentro de áreas seguras para montar:
  - Nunca use en carreteras, cerca de vehículos motorizados, en espacios de césped, en o cerca de pendientes empinadas o escalones, piscinas u otros cuerpos de agua.
  - Use el juguete solo en superficies planas, como dentro de su casa, jardín o parque infantil.
  - Nunca use en la oscuridad. Un niño podría encontrar obstáculos inesperados y tener un accidente. Opere el vehículo solo durante el día o en un área bien iluminada.
  - No se recomienda conducir el vehículo en superficies húmedas o en pendientes de más de 15 grados.
  - No use este vehículo al aire libre cuando esté lloviendo o nevando.
  - Asegúrese de detenerse completamente antes de cambiar de dirección de adelante hacia atrás.
- Por favor, siga los límites correctos de peso y edad permitidos para conducir este vehículo.
- Está prohibido cambiar el circuito o agregar otras partes eléctricas.
- Inspeccione los cables y conexiones del vehículo periódicamente.
- Para evitar accidentes, asegúrese de que el vehículo es seguro antes de montar.
- No permita que ningún niño toque las ruedas o esté cerca de ellas cuando el automóvil esté en movimiento.

# Cómo manejar la motocicleta

## Use Operation



## IMPORTANTE

Siempre deténel vehículo cuando cambies la velocidad o dirección para evitar dañar la caja de cambios y el motor.

(1) Primero, enciende el interruptor de energía general, luego se puede reproducir la música.

(2) Adelante

Presiona el “Interruptor de Adelante y Reversa” en la posición “ Adelante”.

Presiona el pedal.

El vehículo avanza hacia adelante.

(3) Freno

Retira el pie del pedal del acelerador para detener el coche.

(4) Marcha atrás

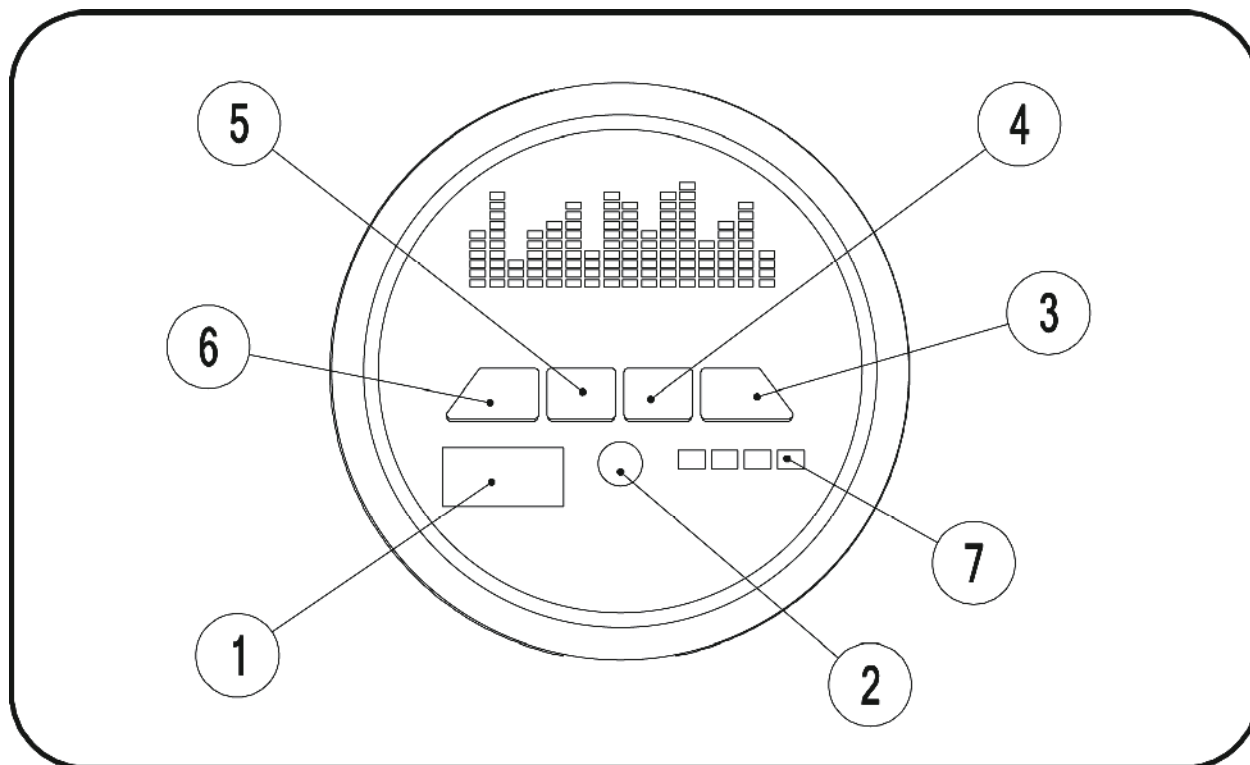
Presiona el “Interruptor de Adelante y Marcha atrás” en la posición de “Marcha atrás”.

Presiona el pedal.

El vehículo se desplaza hacia atrás.

# Cómo manejar el vehículo

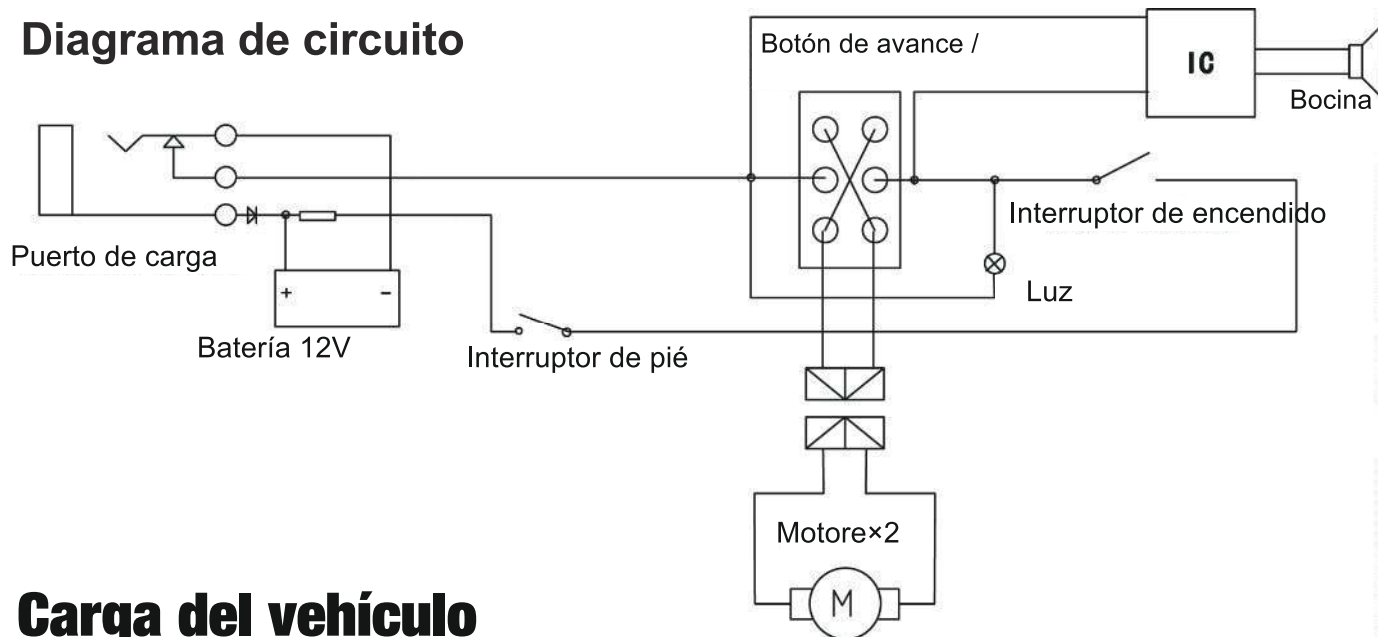
## (5) Cómo utilizar el sistema de sonido y el indicador de batería



- 1. Ranura para dispositivo de almacenamiento.
- 2. Puerto AUX
- 3. Botón de modo: permite cambiar el coche entre el modo de reproducción de música y el modo de conexión inteligente. Nota: El coche puede ser buscado y conectado con el móvil en modo de conexión inteligente para reproducir la fuente de sonido del móvil.
- 4. Disminuir volumen/Última canción: Cambiar canciones.
- 5. Aumentar volumen/Siguiente canción: Cambiar canciones.
- 6. Botón de bocina
- 7. Pantalla de encendido: muestra la carga de la batería y el nivel de carga.

# Cómo manejar el vehículo

## Diagrama de circuito



## Carga del vehículo

### ¡SOLO UN ADULTO PUEDE CARGAR Y RECARGAR LA BATERÍA!

- -Las baterías no recargables no deben ser recargadas.
- -No se deben mezclar diferentes tipos de baterías o baterías nuevas y usadas.
  - Las baterías deben ser insertadas con la polaridad correcta.
- -Las baterías agotadas deben ser retiradas del juguete.
- -Los terminales de suministro no deben ser cortocircuitados.
- -Las baterías recargables sólo deben ser cargadas bajo la supervisión de un adulto.
- -Las baterías recargables deben ser retiradas del juguete antes de ser cargadas.
- -Los transformadores o cargadores de baterías utilizados con el juguete deben ser examinados regularmente en busca de daños en el cable, enchufe, carcasa y otras partes, y en caso de tales daños, no deben ser utilizados hasta que el daño haya sido reparado.



## ADVERTENCIA

### • •PREVENIR INCENDIOS Y CHOQUES ELÉCTRICOS:

- Usa solo la batería recargable y el cargador suministrados con tu vehículo. NUNCA sustituyas la batería o el cargador por otra marca. Usar otra batería o cargador puede causar un incendio o explosión.
- No uses la batería o el cargador para ningún otro producto. Podría ocurrir un sobrecalentamiento, incendio o explosión.
- NUNCA modifiques el sistema de circuitos eléctricos. Manipular el sistema eléctrico puede causar un choque, incendio o explosión o puede dañar permanentemente el sistema.
- No permitas el contacto directo entre los terminales de la batería. Puede ocurrir un incendio o explosión.
- No permitas que ningún tipo de líquido entre en contacto con la batería o sus componentes.



# Carga del vehículo



## **ADVERTENCIA**

### •PREVENIR INCENDIOS Y CHOQUES ELÉCTRICOS:

-Se crean gases explosivos durante la carga. No cargues cerca de calor o materiales inflamables. Carga la batería SOLO en un área bien ventilada.

-NUNCA levanta la batería por los cables o el cargador. Puede ocurrir un daño a la batería y puede causar un incendio. Levante la batería SOLO por la carcasa.

-Cargue la batería SOLO en un área seca.

•Los postes de la batería, terminales y accesorios relacionados contienen plomo y compuestos de plomo, químicos conocidos por el estado de California por causar cáncer y daño reproductivo. Lávate las manos después de manipular.

•No abras la batería. La batería contiene ácido de plomo y otros materiales que son tóxicos y corrosivos.

•No abras el cargador. El cableado expuesto y los circuitos dentro de la carcasa pueden causar un choque eléctrico

.Solo los adultos pueden manipular o cargar la batería. NUNCA permitas que un niño manipule o cargue la batería. La batería es pesada y contiene ácido de plomo (electrolito).

•No dejes caer la batería. Podría ocurrir un daño permanente a la batería o causar una lesión grave.

•Antes de cargar la batería, verifica si hay desgaste o daño en la batería, el cargador, su cable de alimentación y los conectores. NO cargues la batería si ha ocurrido algún daño a las partes.

•No permitas que la batería se agote completamente. Recarga la batería después de cada uso o una vez al mes si no se usa regularmente.

•No cargues la batería al revés.

•Siempre asegura la batería con el soporte. La batería puede caerse y lesionar a un niño si el vehículo se voltea.

•Se recomienda la supervisión de adultos para niños pequeños.

•El juguete debe usarse con precaución ya que se requiere habilidad para evitar caídas o colisiones que causen lesiones al usuario o a terceros.

•La entrada para cargar se encuentra DEBAJO DEL ASIEN TO.

•EI INTERRUPTOR DE ENCENDIDO debe estar en posición APAGADO cuando se está cargando.

•Antes del primer uso, debes cargar la batería durante 8-12 horas. No recargues la batería durante más de 20 horas para evitar el sobrecalentamiento del cargador.

•Cuando el vehículo comienza a funcionar lentamente, recarga la batería.

•Después de cada uso o al menos una vez al mes, el tiempo mínimo de recarga es de 8 a 12 horas, no más de 20 horas.

# Carga del vehículo



# Guía de solución de problemas

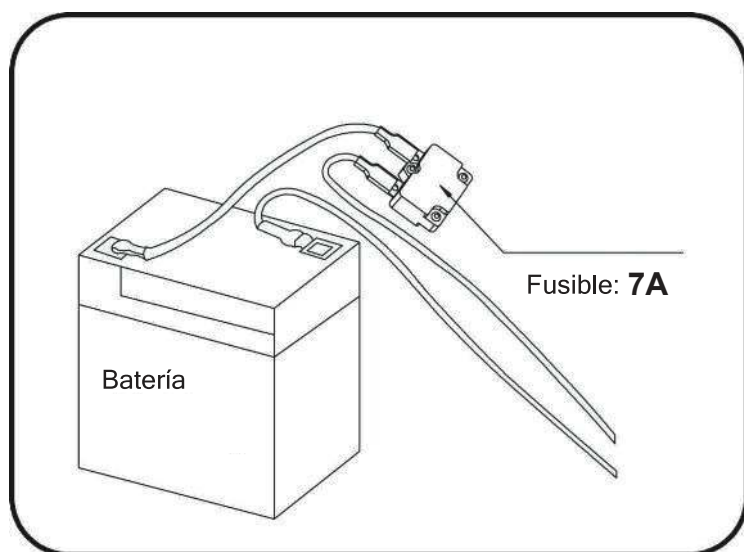
## ■ PROBLEMA: El vehículo no funciona

**CAUSA DEL PROBLEMA:** La batería puede estar baja de energía.

Después de cada uso, o al menos una vez al mes, cargue la batería durante 8-12 horas. No deje la batería en el cargador durante más de 20 horas.

**POSIBLE CAUSA:** El fusible térmico ha saltado.

El vehículo está equipado con un fusible autorearmable. Cuando el vehículo está sobrecargado o se opera incorrectamente; el fusible autorearmable se cortará durante 5-20 segundos antes de volver a funcionar. El fusible autorearmable está debajo del asiento (Consulte la imagen).



Para evitar que el fusible corte la energía, sigue estas pautas:

NO sobrecargues el vehículo, el peso máximo permitido es de 30 kg.

NO remolques nada detrás del vehículo.

NO conduzcas en pendientes empinadas.

NO conduzcas hacia objetos fijos, lo que puede hacer que las ruedas giren, causando el sobrecalentamiento del motor.

NO conduzcas en clima muy caliente, los componentes pueden sobrecalentarse.

NO manipules el sistema eléctrico, hacerlo puede crear un cortocircuito, causando que el fusible se dispare.

**POSIBLE CAUSA:** Las tuercas de la rueda están sueltas.

Si las tuercas no están apretadas, las ruedas no engranarán las marchas hacia adelante. Aprieta la tuerca con la llave de tuercas.

**POSIBLE CAUSA:** El conector de la batería o los cables están sueltos.

Asegúrate de que los conectores de la batería estén firmemente enchufados entre sí.

**POSIBLE CAUSA:** La batería está muerta.

¿Has mantenido correctamente la batería según las indicaciones? ¿Es vieja la batería? Es posible que necesites reemplazar tu batería.

**POSIBLE CAUSA:** El sistema eléctrico está dañado.

El agua puede haber corroído el sistema, o la suciedad suelta, grava o arena podrían haber atascado el interruptor.

**POSIBLE CAUSA:** El motor está dañado.

El motor necesita una reparación profesional.

## ■ PROBLEMA: La batería no se recarga.

**POSIBLE CAUSA:** El conector de la batería o el conector del adaptador está suelto.

Asegúrate de que el conector de la batería y el conector del adaptador estén firmemente enchufados entre sí.

**POSIBLE CAUSA:** El cargador no está enchufado.

Asegúrate de que el cargador esté enchufado en el enchufe de la pared y que la corriente fluya hacia el enchufe.

**POSIBLE CAUSA:** El cargador no funciona.

# Guía de solución de problemas

¿Está caliente el cargador mientras se carga? Si no, es posible que el cargador esté roto y necesite ser reemplazado.

# Guía de solución de problemas

---

■ **PROBLEMA:** El vehículo no funciona durante mucho tiempo.

**POSIBLE CAUSA:** La batería puede estar descargada.

Es posible que no estés cargando la batería el tiempo suficiente. Después de cada uso, o al menos una vez al mes, carga la batería durante 8 a 12 horas. No dejes la batería en el cargador durante más de 20 horas. **POSIBLE CAUSA:** La batería es vieja.

La batería eventualmente perderá la capacidad de mantener una carga. Dependiendo de la cantidad de uso y las condiciones variables, la batería debería funcionar de uno a tres años. Reemplaza la batería por una nueva.

■ **PROBLEMA:** La batería zumba o gorgotea cuando se está cargando.

Esto es normal y no es motivo de preocupación. También puede estar en silencio cuando se está cargando, lo cual también es normal.

■ **PROBLEMA:** El cargador se siente caliente al recargar la batería.

Esto es normal y no es motivo de preocupación.

## Mantenimiento de la motocicleta

---

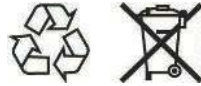
- Es responsabilidad de los padres revisar las partes principales del juguete antes de usarlo. Deben examinar regularmente en busca de posibles peligros, como la batería, el cargador, el cable o el cordón, el enchufe, los tornillos están sujetando la carcasa u otras partes y en caso de tal daño, el juguete no debe ser usado hasta que ese daño haya sido eliminado adecuadamente.
- Asegúrate de que las partes de plástico del vehículo no estén agrietadas o rotas.
- Ocasionalmente usa un aceite ligero para lubricar las partes móviles, como las ruedas.
- Aparca el vehículo en interiores o cúbrelo con una lona para protegerlo del clima húmedo.
- Mantén el vehículo alejado de fuentes de calor, como estufas y calentadores. Las partes de plástico pueden derretirse.
- Recarga la batería después de cada uso. Solo un adulto puede manejar la batería. Recarga la batería al menos una vez al mes cuando el vehículo Raider no se esté utilizando.
- No laves el vehículo con una manguera. No laves el vehículo con jabón y agua. No conduzcas el vehículo en clima lluvioso o nevado. El agua dañará el motor, el sistema eléctrico y la batería.
- Limpia el vehículo con un paño suave y seco. Para restaurar el brillo a las partes de plástico, usa un pulimento para muebles sin cera. No uses cera para coches. No uses limpiadores abrasivos.
- No conduzcas el vehículo en tierra suelta, arena o grava fina que podría dañar las partes móviles, los motores o el sistema eléctrico.
- Cuando no lo estés utilizando, todas las fuentes eléctricas deben estar apagadas. Apaga el interruptor de alimentación y desconecta la conexión de la batería.



# Eliminación de la batería

---

## Eliminación de la batería



- Tu batería de plomo sellada debe ser reciclada o desechada de una manera ambientalmente segura.
- No deseches tu batería de plomo en un incendio. La batería puede explotar o filtrar.
- No deseches una batería de plomo en tu basura regular. La incineración, el vertido o la mezcla de baterías de plomo selladas con la basura doméstica está prohibido por la ley.
- Devuelve una batería agotada a tu reciclador local aprobado de baterías de plomo, como un vendedor local de baterías de automóviles.
- Contacta a tus funcionarios locales de gestión de residuos para obtener otra información sobre el reciclaje y la eliminación ambientalmente segura de las baterías de plomo.
- La batería solo debe ser cargada por un adulto. ¡Por favor, carga el producto antes de usarlo!
- El juguete no debe estar conectado a potencias excesivas (más de la cantidad especificada aquí), y no debe ser operado durante el proceso de carga.
- Cualquier batería recargable solo debe ser cargada bajo la supervisión de un adulto.
- El cargador de baterías debe revisar regularmente los cables, enchufes, carcasas y otras partes en busca de daños y si se encuentran daños, debe dejar de usarlo y repararlo.
- Abre la tapa de la batería en el control remoto y coloca dos baterías, prestando atención a la polaridad de las baterías. Reemplaza la tapa de la batería y ciérrala con tornillos (por favor, reemplaza la batería de acuerdo a los pasos anteriores y debe ser hecho por un adulto).. ● Todas las baterías deben ser insertadas con la polaridad correcta.
- Las baterías no recargables no deben ser cargadas, por favor, retira cualquier batería que se esté agotando del juguete.
- No uses baterías viejas y nuevas juntas, ni mezcles diferentes tipos de baterías.
- El cargador de baterías utilizado con el juguete debe ser examinado regularmente en busca de daños en el cable, el enchufe, la carcasa y otras partes, y en caso de tales daños, no deben ser utilizados hasta que se haya reparado el daño.

**Nuestros productos cumplen con la normativa**

**ASTM F963; GB6675, GB19865; EN71 y EN62115**

# AIYAPLAY

PT

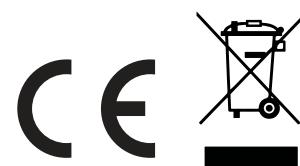
## BRINQUEDO MOTOCICLETA ELECTRÓNICA PARA CRIANÇAS

IN240200182V02\_UK\_FR\_ES\_PT\_DE\_IT

370-319V70\_370-319V90



- Adequado para 3+ anos
- Peso máximo do utilizador: 30 kg
- Montagem necessária por adultos



## MANUAL DO PROPRIETÁRIO

Leia e compreenda todo este manual antes de o utilizar!

Guarde este manual para consulta futura, pois contém informações importantes. Antes da primeira utilização, carregar a bateria durante pelo menos 8-12 horas, não mais de 20 horas.

# Índice

1. Sobre a sua nova motocicleta
2. Lista de peças
3. Diagrama de peças
4. Etapas de montagem
5. Como operar a sua motocicleta
6. Carregar a motocicleta
7. Guia de resolução de problemas
8. Manutenção da sua motocicleta
9. Descarte da bateria

## Sobre a sua nova motocicleta

Obrigado por adquirir os nossos produtos, queremos que o seu filho desfrute deste produto durante muitos anos. Tenha em conta estes pontos ao ler esta guia:

Idade adequada:	3+ anos	Bateria:	DC 12V 4.5AH *1
Capacidade de carga:	Abaixo de 30 Kg		1070*460*750mm
Velocidade:	3Km/h		
Material:	PP	Temperatura óptima:	Inferior a 40°C Evitar a utilização sob o sol abrasador
Carregador:	Entrada: Mostrado no carregador	Tempo de carregamento:	8-12 horas, no máximo 20 horas
	Saída: DC 12V	Fusível:	F 7A, auto-rearmável
	Corrente: DC 0.5A	Vida operacional:	12 meses a 18 meses

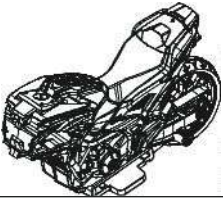
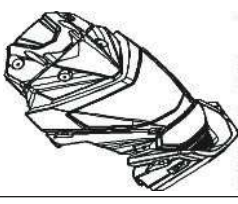
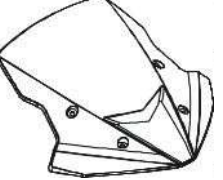
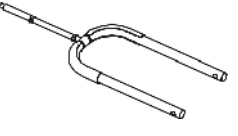
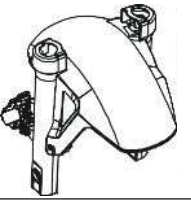
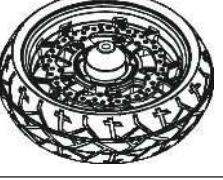
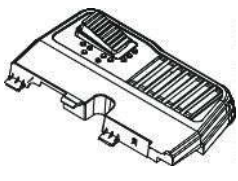
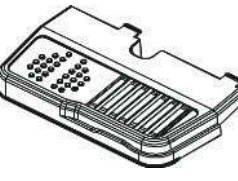

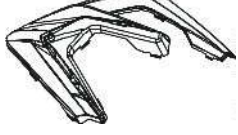
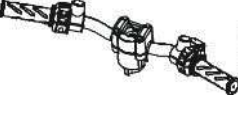
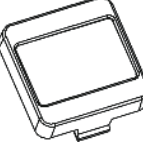

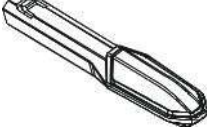
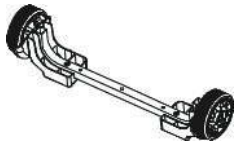
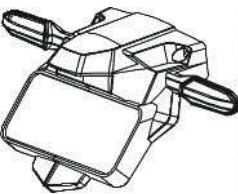
### **ATENÇÃO!**

PARA A SEGURANÇA DO SEU FILHO, LEIA TODOS OS AVISOS E INSTRUÇÕES DE MONTAGEM/UTILIZAÇÃO. GUARDE ESTE MANUAL PARA REFERÊNCIA FUTURA.



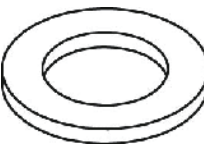

•MONTAGEM NECESSÁRIA POR ADULTOS. O produto contém peças pequenas, que devem ser montadas apenas por adultos. Manter as crianças pequenas afastadas durante a montagem.

•Retirar sempre o material de proteção e os sacos de polietileno e eliminá-los antes da montagem.



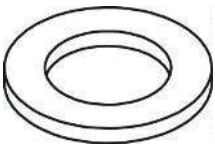


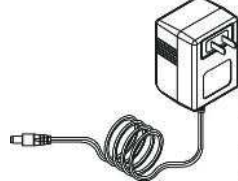
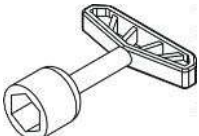
# Lista de peças

PEÇA Nº	NOME DA PEÇA	IMAGEM	Quantidade de peças	OBSERVAÇÕES	PEÇA Nº	NOME DA PEÇA	IMAGEM	Quantidade de peças	OBSERVAÇÕES
1	Carroçaria do veículo		1		2	Tampa superior		1	
3	Para-brisas		1		4	Forquilha		1	
5	Para-lamas dianteiro		1		6	Roda dianteira		1	
7	Apoio para os pés A		1	Direita	8	Apoio para os pés B		1	esquerda
9	Cobertura decorativa A		1 par	Esquerda e Direita	10	Cobertura decorativa B		1 par	Esquerda e Direita
11	Guiador		1		12	Cobertura		1	
13	Espelho retrovisor		1 par	Esquerda e Direita	14	Sinal de viragem		2	
15	Rodas laterais		1		16	Para-lamas traseiro		1	

# Lista de peças

PEÇA Nº	NOME DA PEÇA	IMAGEM	Quantidade de peças	OBSERVAÇÕES	PEÇA Nº	NOME DA PEÇA	IMAGEM	Quantidade de peças	OBSERVAÇÕES
17	Eixo dianteiro		1		18	Eixo		1	
19	Arruela		4	Colocar no eixo dianteiro	20	Porca		2	Colocar no eixo dianteiro

## Pacote de montagem

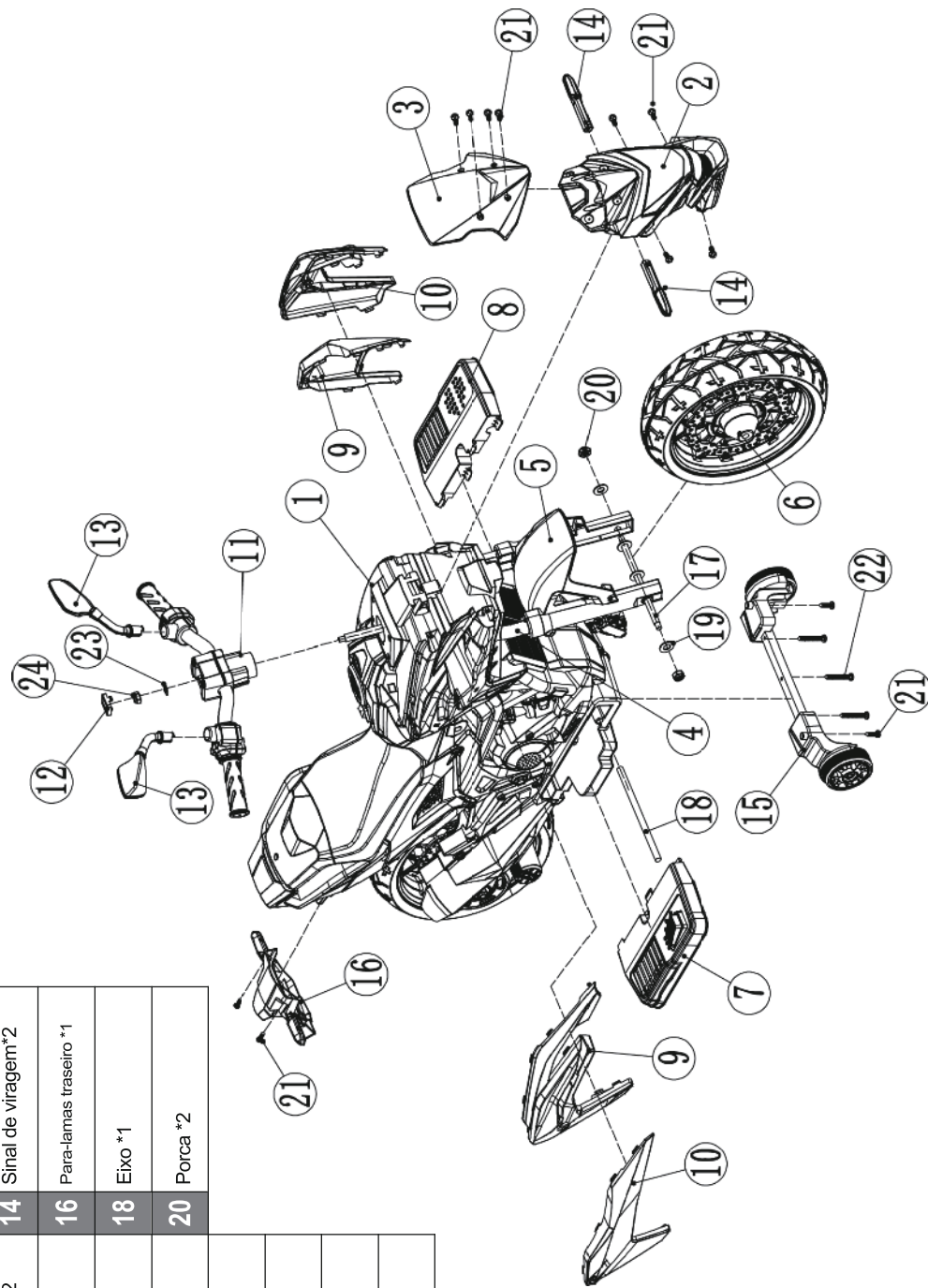
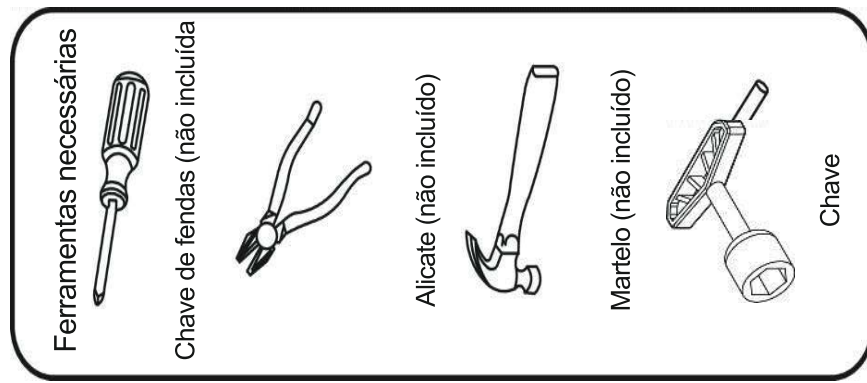
PEÇA Nº	NOME DA PEÇA	IMAGEM	Quantidade de peças	OBSERVAÇÕES	PEÇA Nº	NOME DA PEÇA	IMAGEM	Quantidade de peças	OBSERVAÇÕES
21	Parafuso		12		22	M4X35 parafuso		3	
23	Arruela		1		24	Porca		1	
25	Manual de instruções		1		26	Carregador		1	
27	Chave		2		28				



# Diagrama de peças

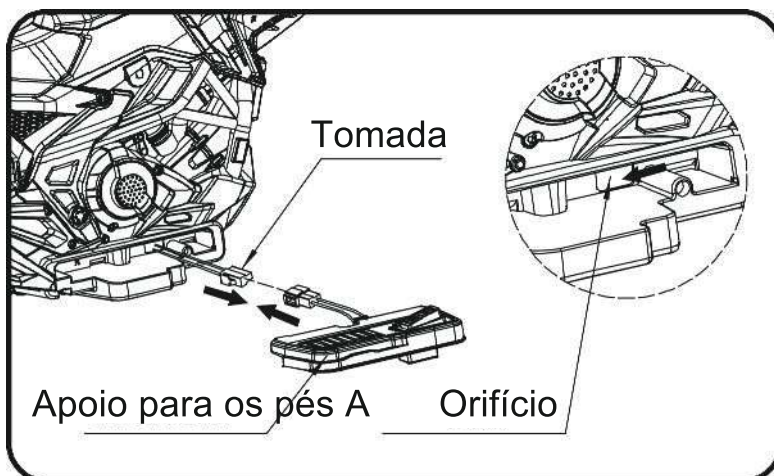
1	Carroçaria do veículo *1	2	Cobertura superior *1	3	Para-brisas *1
4	Forquilha *1	5	Para-lamas dianteiro *1	6	Roda dianteira *1
7	Apoio para os pés A *1	8	Apoio para os pés B *1	9	Cobertura decorativa A *2
10	Cobertura decorativa B *2	11	Guiador *1	12	Cobertura *1
13	Espelho retrovisor *2	14	Sinal de viragem*2		
15	Rodas laterais *1	16	Para-lamas traseiro *1		
17	Eixo dianteiro *1	18	Eixo *1		
19	Arruela *4	20	Porca *2		
21	Parafuso *12				
22	M4X25 Screw *3				
23	Washer *1				
24	Nut *1				

**NOTA:** Algumas peças mostradas são montadas em ambos os lados do veículo

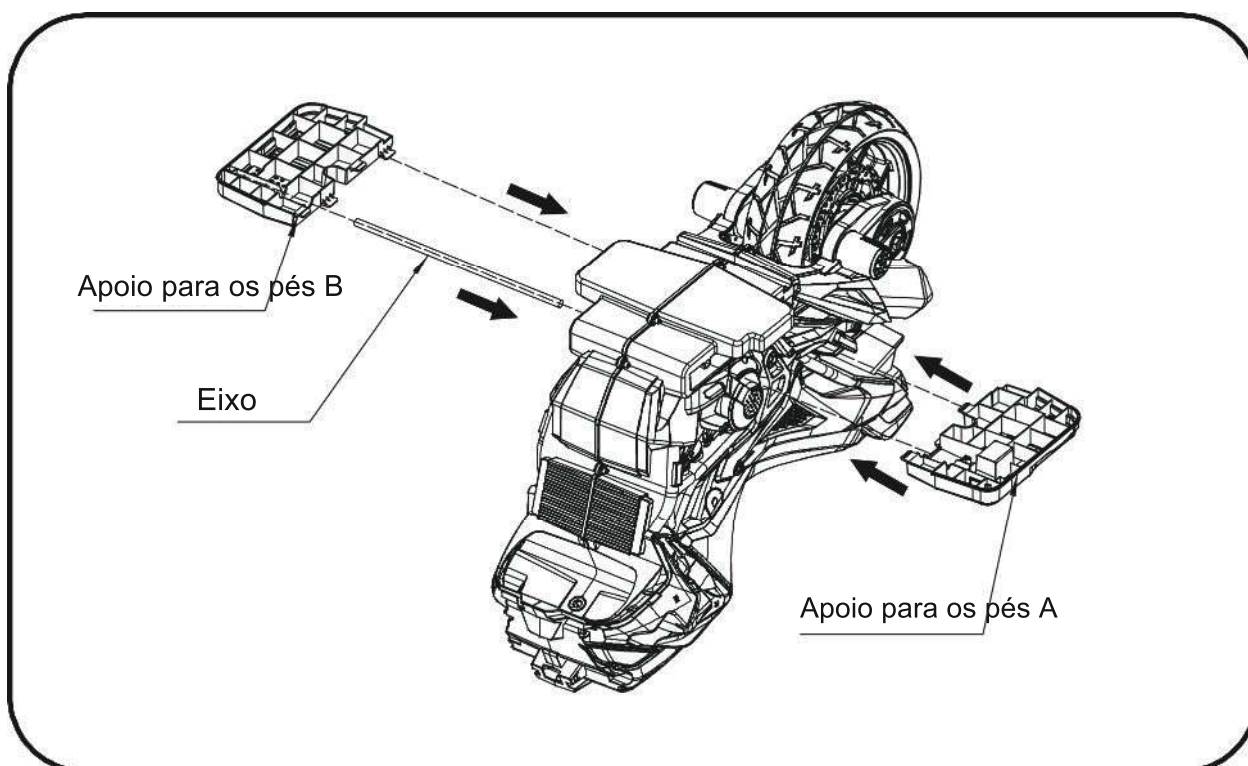


# Etapas de montagem

## 1. Instalar o apoio para os pés



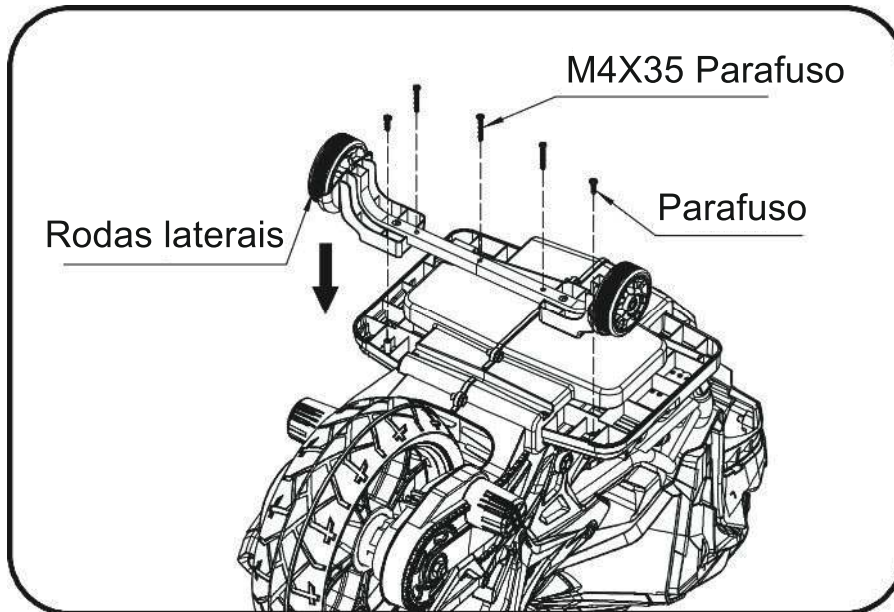
- Como se pode ver na imagem, a extremidade da tomada, e colocar a tomada no orifício.



- Como mostra a imagem, colocar o eixo através da carroceria do veículo.
- Tal como mostra a imagem, empurre os dois apoios para os pés de acordo com a direção da seta e certifique-se de que encaixam na posição.

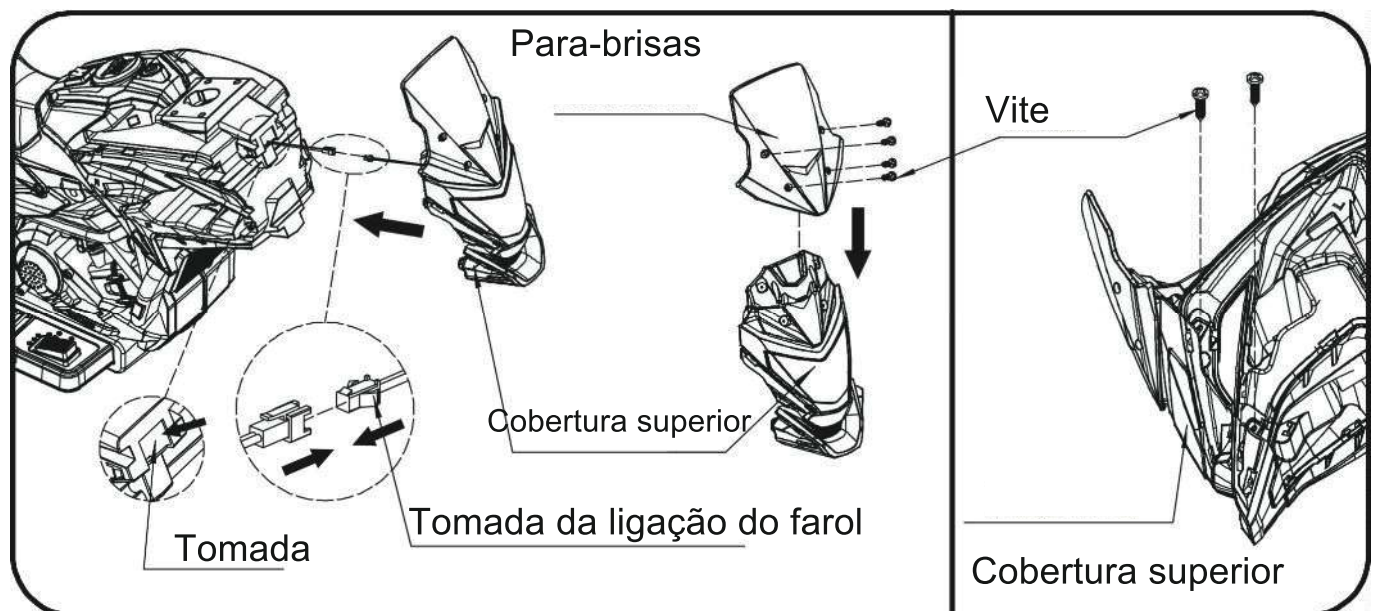
# Etapas de montagem

## 2.Instalar as rodas laterais.



- Como mostra a imagem, virar a carroçaria do veículo, instalar as rodas laterais no local correspondente e apertar com parafusos.

## 3.Instalar a cobertura superior.

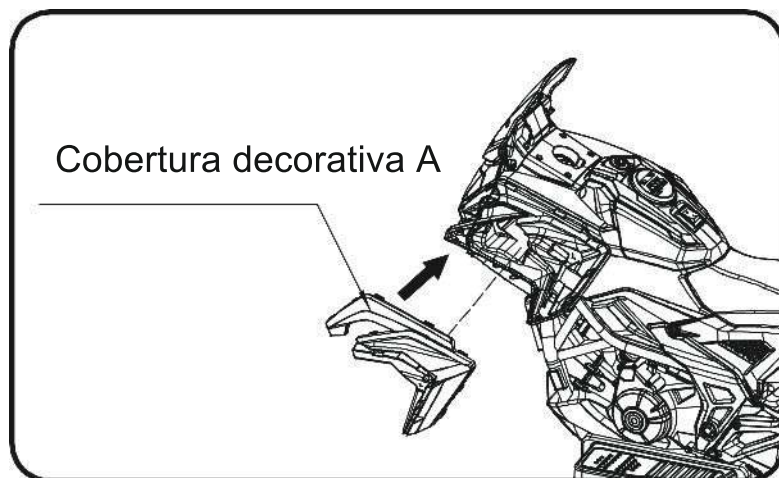


- Conforme indicado na imagem, instale o para-brisas no local correspondente e fixe-o com parafusos.
- A extremidade da tomada de ligação do farol e colocar a tomada no orifício.
- Como mostra a imagem, instale a cobertura superior no local correspondente e fixe-a com parafusos.

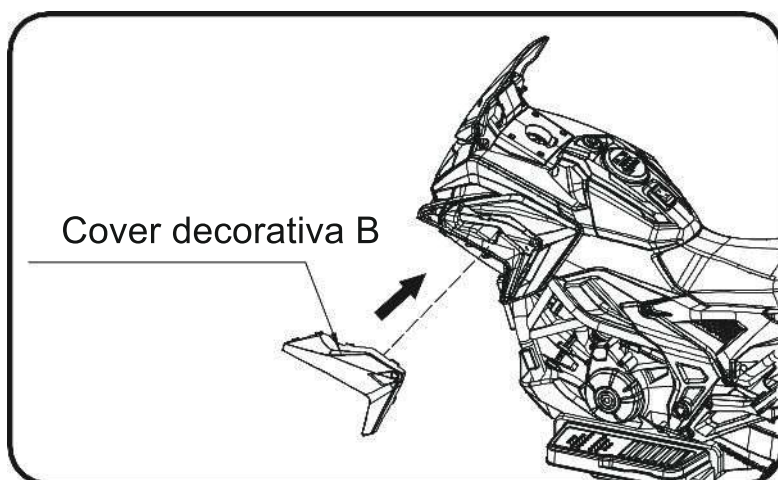


# Etapas de montagem

## 4. Instalar a cobertura decorativa.

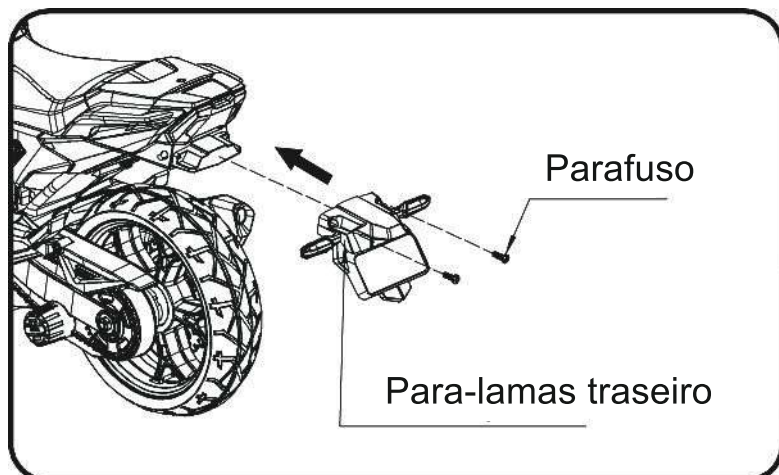


- Como mostra a imagem, instalar a tampa decorativa A no local correspondente.



- Como mostra a imagem, instalar a cobertura decorativa B no local correspondente.

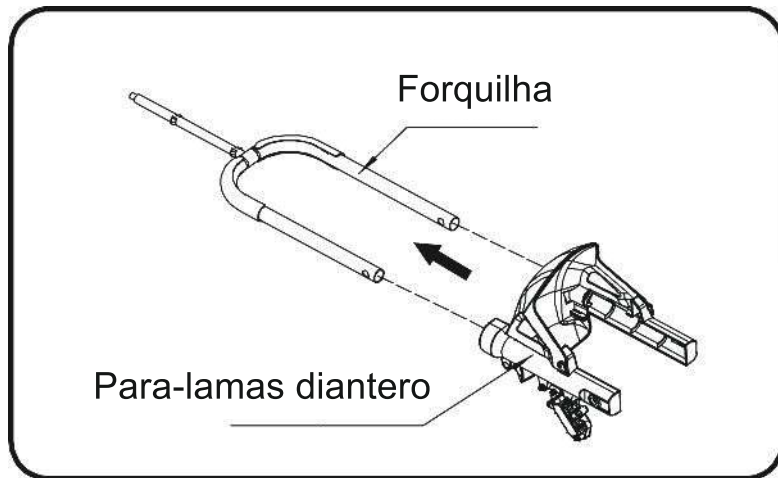
## 5. Instalar o para-lamas traseiro.



- Como mostra a imagem, instale para-lamas traseiro no local correspondente e fixe-o com parafusos.

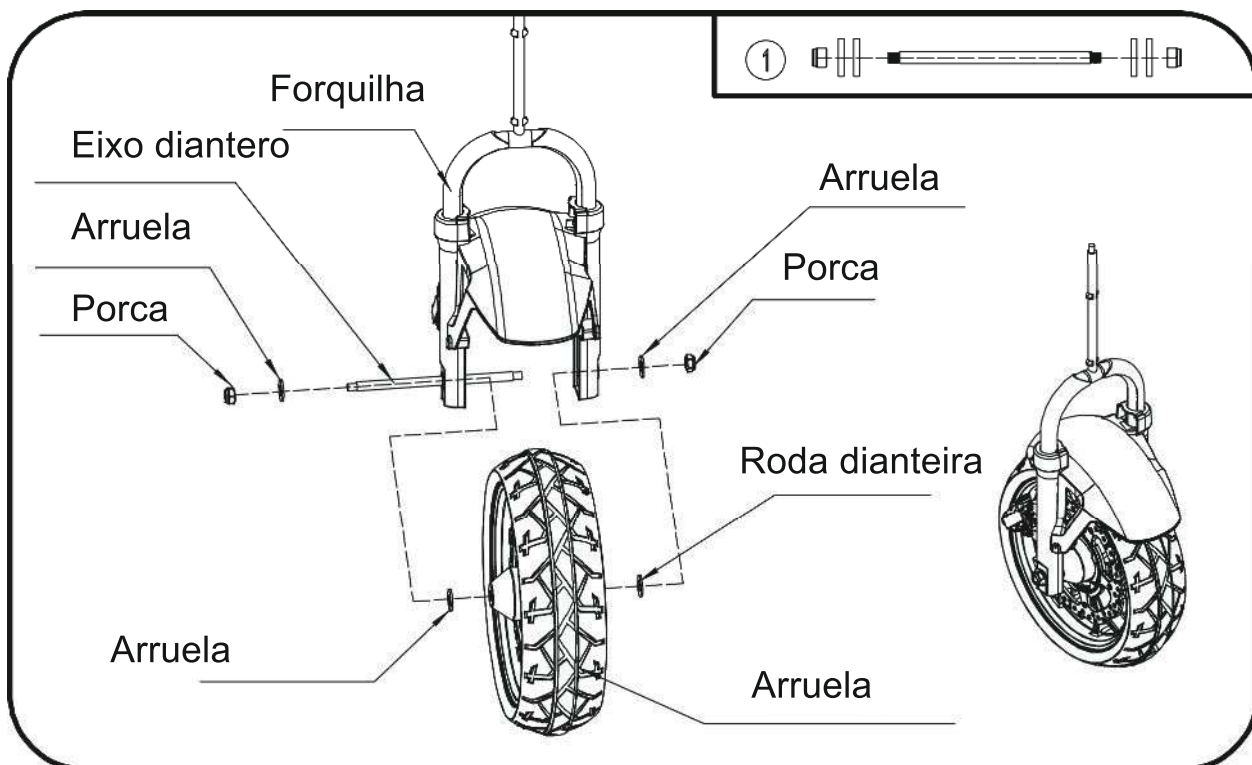
# Etapas de montagem

## 6. Instalar o para-lamas dianteiro.



- Como mostra a imagem, instalar o para-lamas dianteiro no sítio correspondente.

## 7. Instalar a roda dianteira.

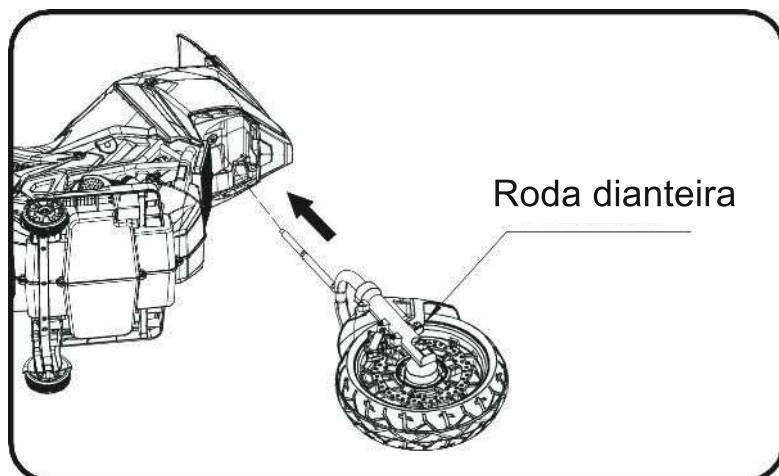


- Como indicado na figura 1, desligar as peças do eixo dianteiro.
- Como mostra a imagem, colocar o eixo dianteiro através da forquilha, instalar sequencialmente a arruela, a roda dianteira, a arruela.
- Depois, através da forquilha, instale arruelas em ambos os lados e fixe-as com porcas.



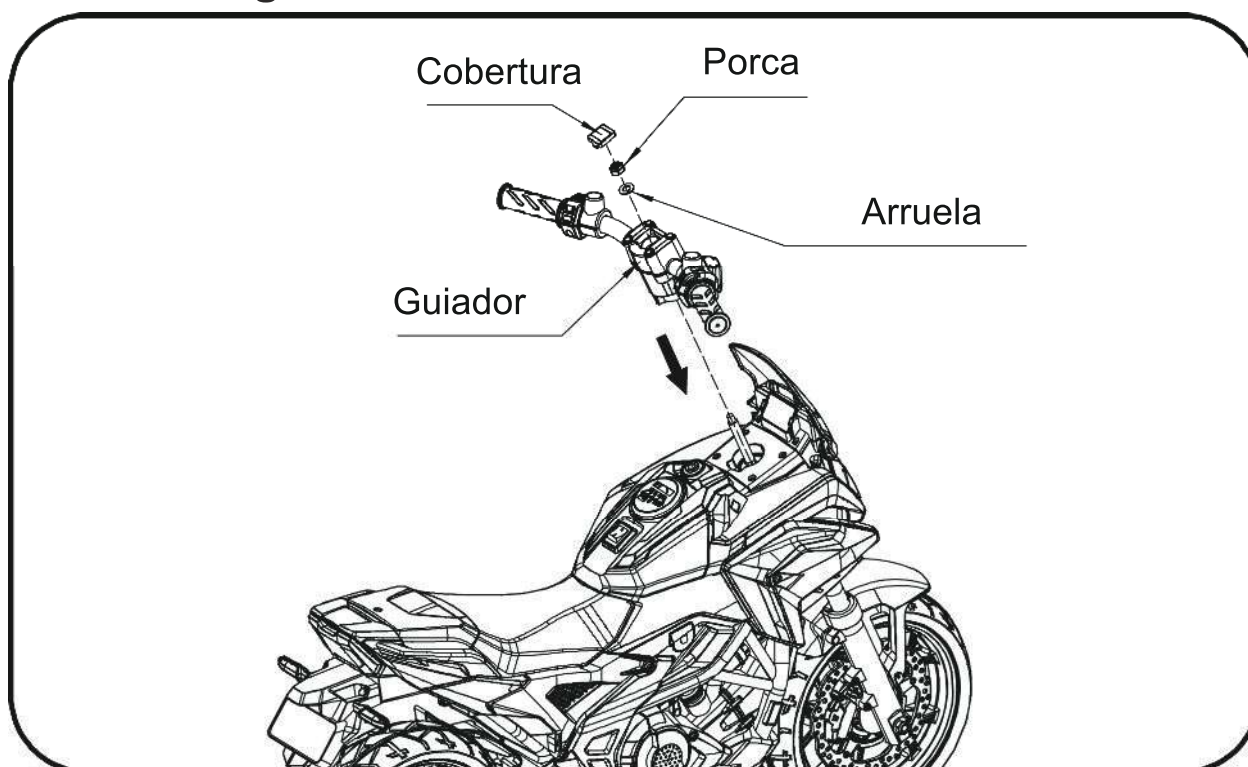
# Etapas de montagem

## 8. Instalar a roda dianteira.



- Como mostra a imagem, colocar a roda dianteira através da carroceria do veículo.

## 9. Instalar o guidador.

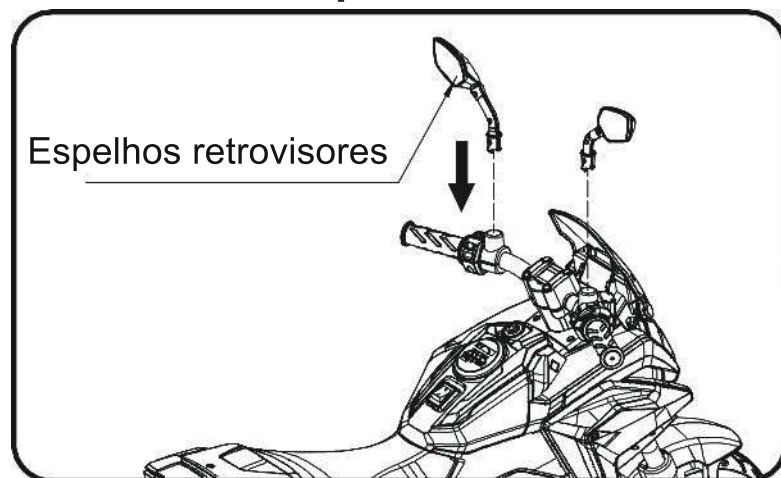


- Como mostra a imagem, instale o guidador no local correspondente e fixe-o com a porca, a arruela e a cobertura.

## Etapas de montagem

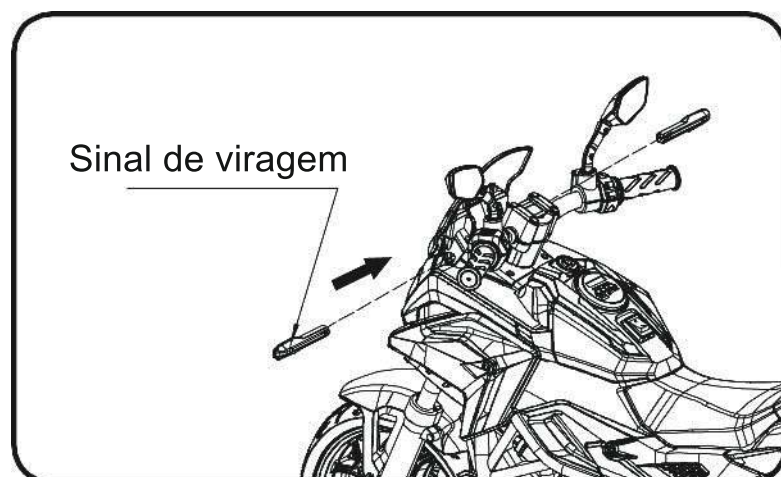
---

### 10. Instalar o espelho retrovisor.



- Como mostra a imagem, pressione o espelho retrovisor para baixo para o fixar.

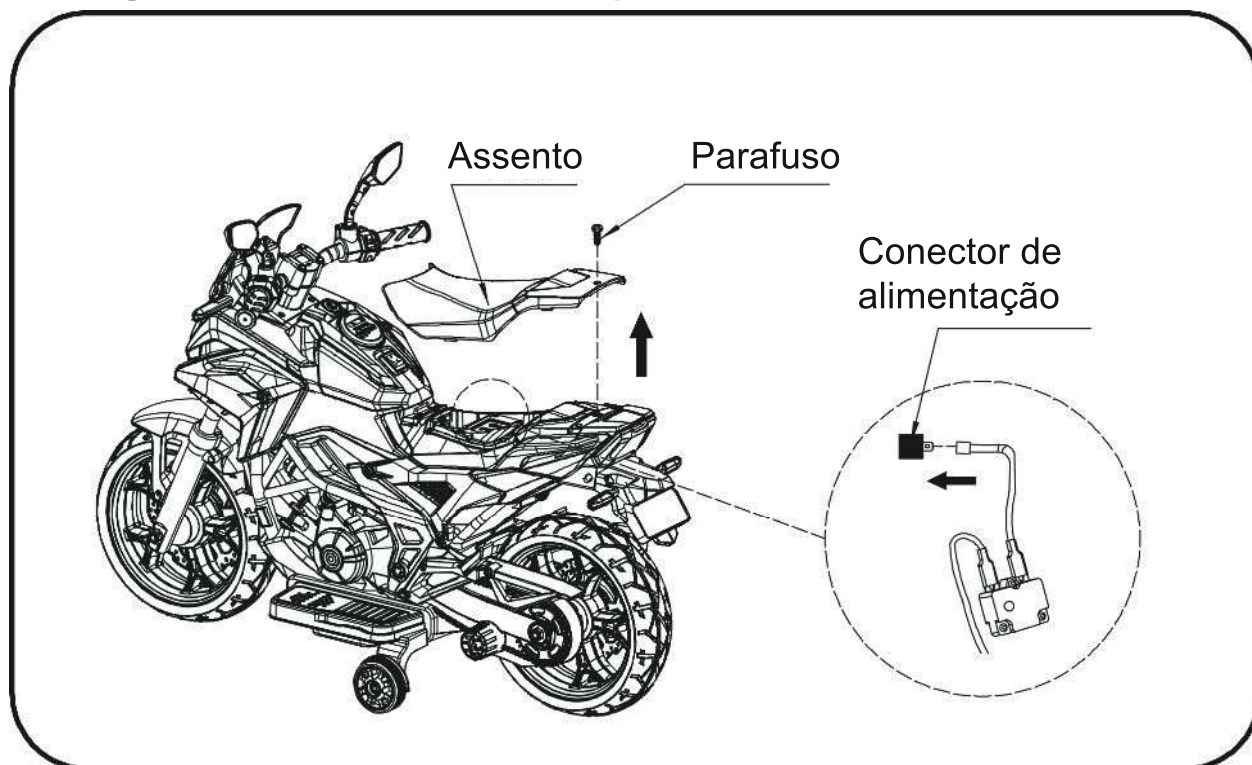
### 11. Instalar o sinal de viragem.



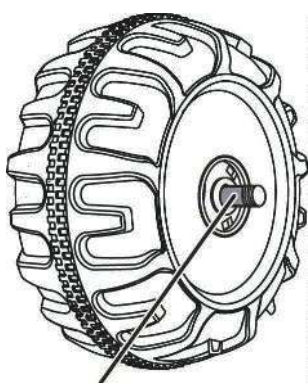
- Como mostra a imagem, pressione os dois sinais de viragem de acordo com a direção da seta e certifique-se de que encaixam na posição.

# Etapas de montagem

## 12. Ligar a fonte de alimentação.



- Como mostra a imagem, desapertar o parafuso e abrir o assento.
- Ligue o conector de alimentação ao terminal da bateria, como indicado.
- Em seguida, instale o assento no local correspondente e fixe-o com o parafuso.



Distância

## SUPLEMENTO IMPORTANTE AO MANUAL DE INSTRUÇÕES

Depois de montar qualquer roda nos eixos, verifique a distância entre a rosca do parafuso e o dobrável (consulte a imagem abaixo), se a distância for demasiado grande, adicione duas ou três arruelas dentro da roda, mas depois de apertar a porca fora da roda, rode a roda com o dedo para verificar se a roda pode funcionar suavemente, isto é muito importante, porque se a roda pode funcionar suavemente, está tudo bem, mas se a porca pressionar a roda e a roda não puder funcionar suavemente, o motor partir-se-á facilmente! Em seguida, é necessário diminuir uma ou duas arruelas para garantir que a roda possa funcionar sem problemas!

# Como utilizar a sua motocicleta

## **ATENÇÃO!**

### **PREVENIR LESÕES E MORTES:**

- **NUNCA DEIXAR A CRIANÇA SEM VIGILÂNCIA. É NECESSÁRIA A SUPERVISÃO DIRECTA DE UM ADULTO.** Manter sempre a criança à vista quando estiver no veículo.
- Nunca utilizar em estradas, perto de automóveis, sobre ou perto de inclinações ou degraus acentuados, piscinas ou outras superfícies de água.
- Usar sempre sapatos.
- Sentar-se sempre no assento.
- Adequado para idades superiores a 3+ anos; o peso máximo do utilizador é de 30 kg.
- Não deve ser utilizado no trânsito.

É necessário confirmar que já está concluído antes de utilizar o trabalho seguinte:

- Importante! Antes de utilizar o veículo pela primeira vez, a bateria tem de ser carregada durante 8 a 12 horas, não mais de 20 horas. Só um adulto pode carregar ou recarregar a bateria.
- Concluindo a montagem completa da motocicleta de acordo com as etapas descritas no manual. O pacote de conexão da bateria já foi devidamente inserido, e a energia já foi conectada.
- Todos os locais onde o parafuso é necessário garantem que o parafuso já foi fixado.

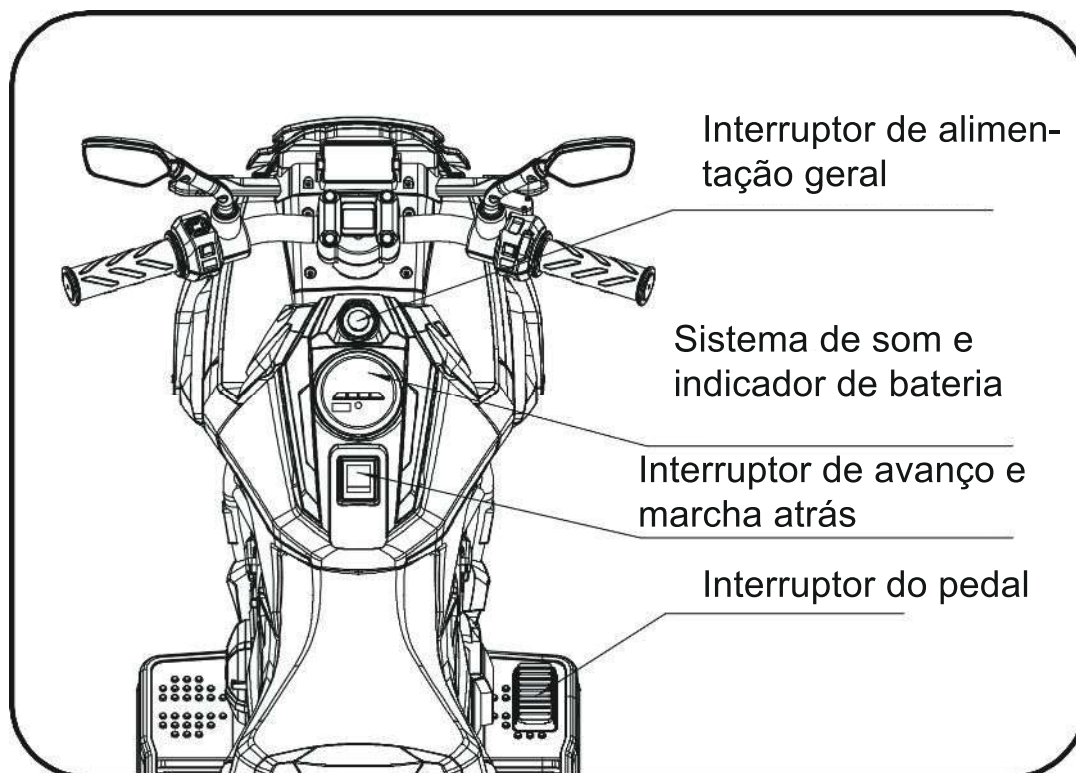
Regras para uma condução segura

**LEIA ESTAS REGRAS EM VOZ ALTA PARA O SEU FILHO E PARA OS SEUS COMPANHEIROS DE JOGO E CERTIFIQUE-SE DE QUE ELES AS COMPREENDEM!**

- Este brinquedo não é de quebrar. Use sempre um capacete e vestuário de proteção quando montar.
- É necessária a supervisão direta de um adulto.
- Manter as crianças dentro de áreas seguras para andar de motocicleta:
- Nunca utilizar na estrada, perto de veículos motorizados, em espaços relvados, sobre ou perto de inclinações ou degraus pronunciados, piscinas ou outras superfícies de água.
- Utilizar o brinquedo apenas em superfícies planas, como o interior da casa, o jardim ou o parque infantil.
- Nunca utilizar na escuridão. Uma criança pode encontrar obstáculos inesperados e ter um acidente. Utilizar o veículo apenas durante o dia ou num local bem iluminado.
- Não se recomenda a condução do veículo em superfícies molhadas ou em inclinações superiores a 15 graus.
- Não utilizar este veículo no exterior quando estiver a chover ou a nevar.
- Certifique-se de que pára completamente antes de mudar de direção da frente para trás.
- Respeite os limites de peso e idade permitidos para conduzir este veículo.
- É proibido alterar o circuito ou acrescentar outros componentes eléctricos.
- Inspeccionar periodicamente os fios e as conexões do veículo.
- Para evitar acidentes, certifique-se de que o veículo é seguro antes de o conduzir.
- Não deixar nenhuma criança tocar nas rodas ou estar perto delas quando o carro estiver em movimento.

# Como utilizar a sua motocicleta

## Operação de utilização



### **IMPORTANTE!**

**Pare sempre o veículo quando mudar de velocidade ou de direção para evitar danificar a caixa de velocidades e o motor.**

(1) (1) Ligar primeiro o interruptor geral de alimentação, a música pode ser reproduzida.

(2) Para a frente

Premir o "Interruptor de avanço e marcha-atrás" para a posição "Avançar". Premir o pedal.

O veículo avança para a frente.

(3) Parar Retirar o pé do pedal do acelerador para parar o veículo.

(4) Marcha atrás

Premir o "interruptor de avanço e de marcha atrás" para a posição "marcha atrás".

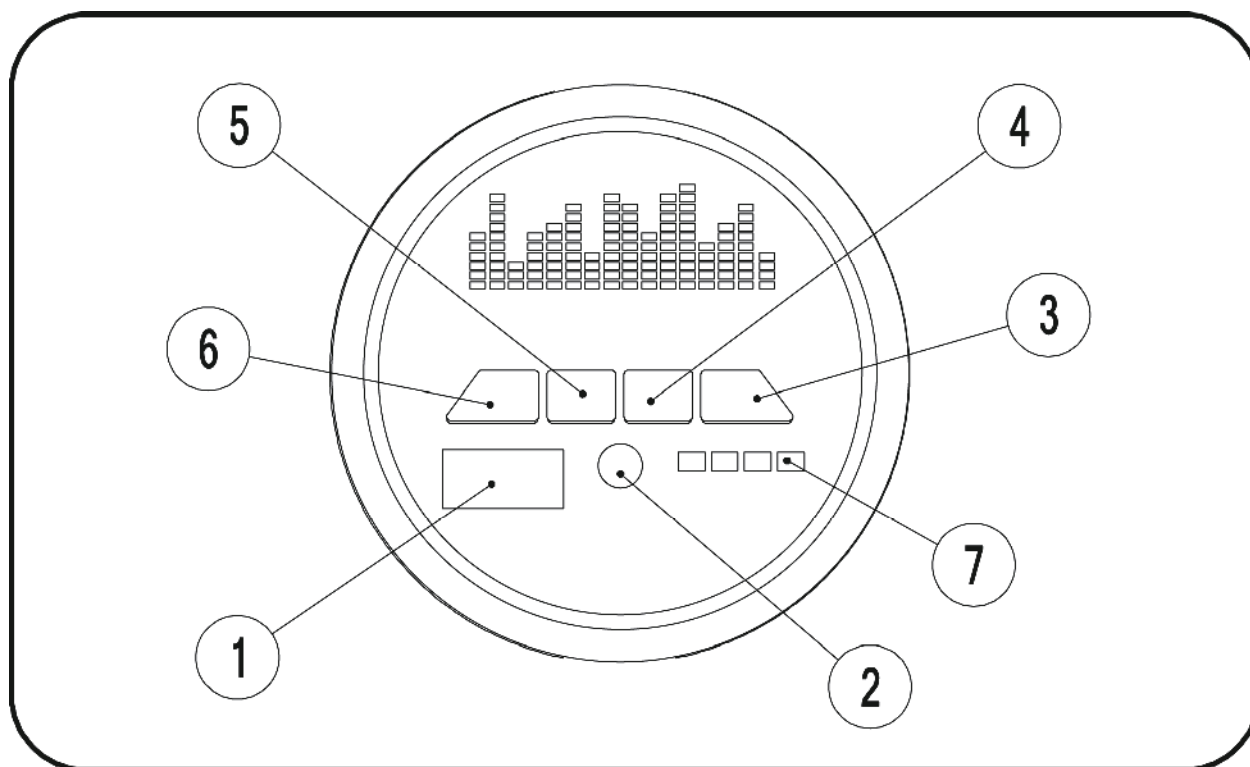
Premir o pedal.

O veículo anda para trás.



# Como utilizar o seu veículo

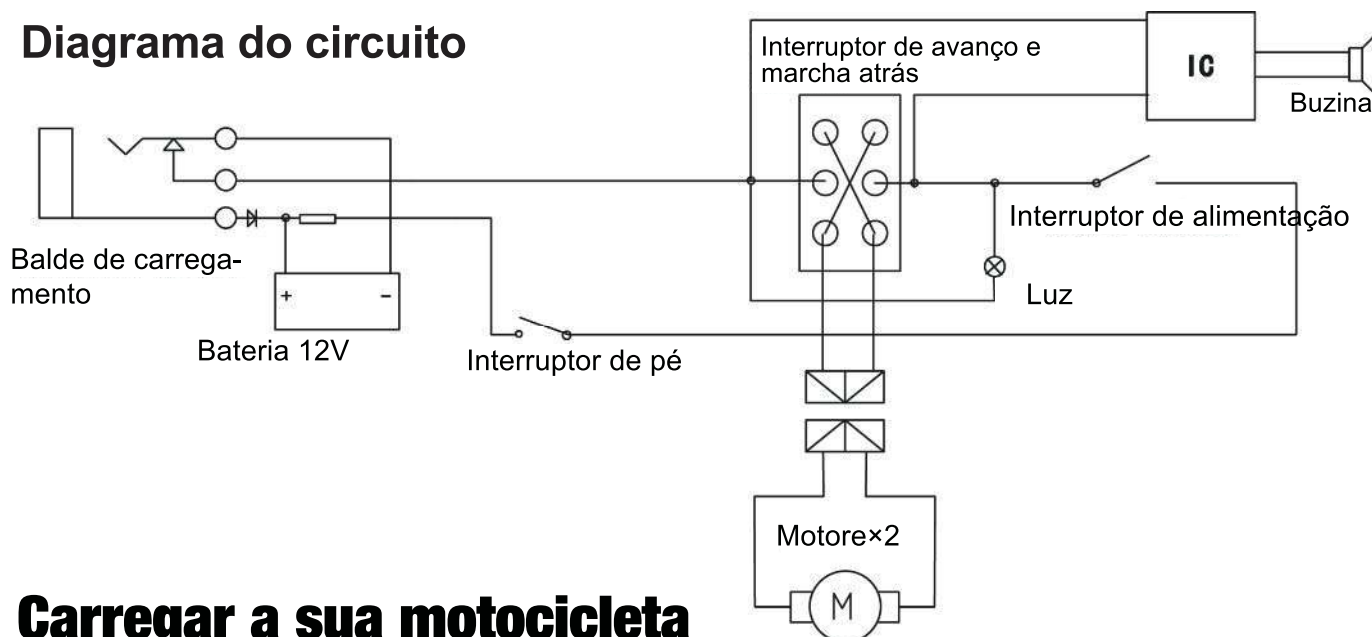
## (5) Como utilizar o sistema de som e o indicador de bateria



- 1. Ranhura para dispositivo de armazenamento.
- 2. Entrada AUX
- 3. Botão de Mode: Alterna o veículo entre o modo de reprodução de música e o modo de conexão inteligente.  
Nota: O veículo pode ser procurado e conectado por & com o telemóvel no modo de conexão inteligente, para reproduzir a fonte de som do telemóvel.
- 4. Diminuir o volume/Última música: Mudar de música.
- 5. Aumentar o volume/Avançar música: Mudar de música.
- 6. Botão da buzina
- 7. Visor de energia: Mostra a carga da bateria e o nível de carga.

# Como utilizar o seu veículo

## Diagrama do circuito



## Carregar a sua motocicleta

### SÓ UM ADULTO PODE CARREGAR E RECARREGAR A BATERIA!

- as baterias não recarregáveis não devem ser recarregadas;
- não devem ser misturados diferentes tipos de baterias ou baterias novas e usadas;
- as baterias devem ser colocadas com a polaridade correcta;
- as baterias esgotadas devem ser retiradas do brinquedo;
- os terminais de alimentação não devem ser objeto de curto-circuito.
- as baterias recarregáveis só devem ser carregadas sob a supervisão de um adulto;
- as baterias recarregáveis devem ser retiradas do brinquedo antes de serem carregadas;
- Os transformadores ou o carregador de pilhas utilizados com o brinquedo devem ser examinados regularmente para detetar danos no cabo, na tomada, na caixa e noutros componentes e, em caso de danos, não devem ser utilizados enquanto esses danos não forem reparados.

## ATENÇÃO!

### • PREVENIR INCÊNDIOS E CHOQUES ELÉCTRICOS:

- Utilize apenas a bateria recarregável e o carregador fornecidos com o seu veículo. **NUNCA** substitua a bateria ou o carregador por outra marca. A utilização de outra bateria ou carregador pode provocar um incêndio ou uma explosão.
- Não utilize a bateria ou o carregador para qualquer outro produto. Pode ocorrer um sobreaquecimento, um incêndio ou uma explosão.
- **NUNCA** modifique o sistema do circuito eléctrico. A manipulação do sistema eléctrico pode provocar choques, incêndios ou explosões ou pode danificar permanentemente o sistema.
- Não permita o contacto directo entre os terminais da bateria. Pode ocorrer um incêndio ou uma explosão.
- Não permita que qualquer tipo de líquido entre em contacto com a bateria ou os seus componentes.

# Carregar a sua motocicleta

## **ATENÇÃO!**

### •PREVENIR INCÊNDIOS E CHOQUES ELÉCTRICOS:

- São criados gases explosivos durante o carregamento. Não carregue a bateria perto de calor ou de materiais inflamáveis. Carregue a bateria APENAS numa área bem ventilada.
- NUNCA pegue a bateria pelos fios ou pelo carregador. Podem ocorrer danos na bateria e provocar um incêndio. Pegue a bateria APENAS pela caixa.
- Carregue a bateria APENAS numa área seca.
- Os pólos, terminais e acessórios relacionados da bateria contêm chumbo e compostos de chumbo, químicos conhecidos no Estado da Califórnia por causarem cancro e danos reprodutivos. Lavar as mãos após o manuseamento.
- Não abrir a bateria. A bateria contém ácido de chumbo e outros materiais que são tóxicos e corrosivos.
- Não abra o carregador. Os fios e circuitos expostos no interior da caixa podem provocar choques eléctricos. Apenas os adultos podem manusear ou carregar a bateria. NUNCA permita que uma criança manuseie ou carregue a bateria. A bateria é pesada e contém ácido de chumbo (eletrólito).
- Não deixe cair a bateria. Poderão ocorrer danos permanentes na bateria ou causar ferimentos graves.
- Antes de carregar a bateria, verifique se há desgaste ou danos na bateria, no carregador, no cabo de alimentação e nos conectores. NÃO carregue a bateria se tiver ocorrido algum dano nas peças.
- Não deixe que a bateria se esgote completamente. Recarregue a bateria após cada utilização ou uma vez por mês se não for utilizada regularmente.
- Não carregue a bateria de cabeça para baixo.
- Fixe sempre a bateria com o suporte. A bateria pode cair e ferir uma criança se o veículo tombar.
- Recomendação de supervisão de um adulto para crianças pequenas.
- O brinquedo deve ser utilizado com precaução, uma vez que é necessária habilidade para evitar quedas ou colisões que provoquem ferimentos no utilizador ou em terceiros.

- A tomada de entrada de carga está localizada debaixo do assento.
- O interruptor de alimentação deve ser colocado na posição OFF durante o carregamento.
- Antes da primeira utilização, deve carregar a bateria durante 8-12 horas. Não recarregar a bateria durante mais de 20 horas para evitar o sobreaquecimento do carregador.
- Quando o veículo começar a funcionar lentamente, recarregue a bateria.
- Após cada utilização ou uma vez por mês, o tempo mínimo de recarga é de 8 a 12 horas, não mais de 20 horas.

# Carregar a sua motocicleta



1. Localizar a tomada de entrada de carga debaixo do assento;
2. Ligar a tomada do carregador à tomada de entrada;
3. Ligue a tomada do carregador a uma tomada de parede. A bateria começa a carregar.

# Guia de resolução de problemas

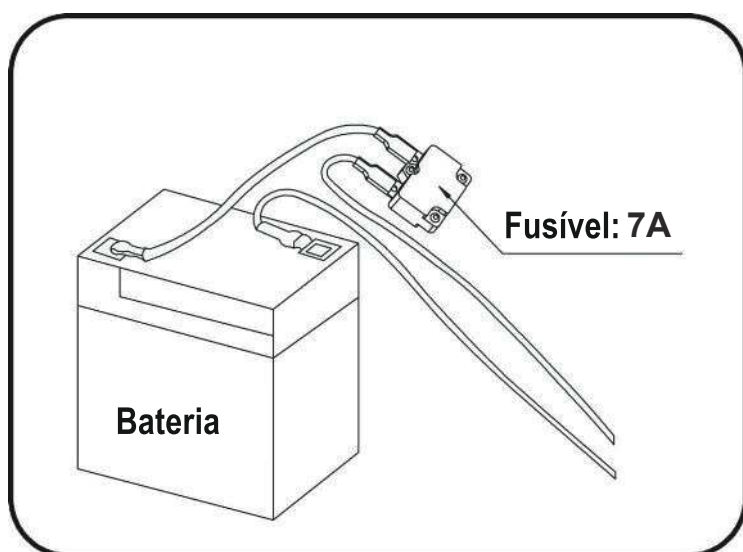
## ■ PROBLEMA: O veículo não funciona

**CAUSA DO PROBLEMA:** A bateria pode ter pouca carga.

Após cada utilização, ou no mínimo uma vez por mês, carregue a bateria durante 8-12 horas. Não deixe a bateria no carregador durante mais de 20 horas.

**CAUSA POSSÍVEL:** O fusível térmico activou-se.

O veículo está equipado com um fusível de auto-rearme. Quando o veículo é sobrecarregado ou utilizado incorretamente, o fusível de auto-rearme é cortado durante 5-20 segundos antes de voltar a estar operacional. O fusível de auto-rearme encontra-se debaixo do assento (ver imagem).



Para evitar que o fusível corte a alimentação, siga estas directrizes:

**NÃO** sobrecarregar o veículo, peso máximo permitido: 30 kg

**NÃO** rebocar nada atrás do veículo.

**NÃO** conduzir em declives acentuados.

**NÃO** conduzir contra objectos fixos, o que pode provocar a rotação das rodas, causando o sobreaquecimento do motor.

**NÃO** conduzir com tempo muito quente, pois os componentes podem sobreaquecer.

**NÃO** mexer no sistema elétrico. Se o fizer, pode criar um curto-circuito, provocando o acionamento do fusível.

**CAUSA POSSÍVEL:** As porcas das rodas estão soltas.

Se as porcas não estiverem apertadas, as rodas não engrenam as mudanças de marcha à frente. Aperte a porca com a chave de porcas.

**CAUSA POSSÍVEL:** O conector da bateria ou os fios estão soltos.

Certifique-se de que os conectores da bateria estão firmemente ligados uns aos outros.

**CAUSA POSSÍVEL:** A bateria está morta.

Fez a manutenção correcta da bateria de acordo com as instruções? A bateria está velha? A sua bateria pode precisar de ser substituída.

**CAUSA POSSÍVEL:** O sistema elétrico está danificado.

A água pode ter corroído o sistema, ou sujidade solta, grilha ou areia podem ter encastrado o interruptor.

**CAUSA POSSÍVEL:** O motor está danificado.

O motor necessita de reparação profissional.

## **PROBLEMA: A bateria não recarrega.**

**CAUSA POSSÍVEL:** O conector da bateria ou o conector do adaptador está solto.

Certifique-se de que o conector da bateria e o conector do adaptador estão firmemente ligados.

**CAUSA POSSÍVEL:** O carregador não está ligado à tomada.



## Guia de resolução de problemas

---

Certifique-se de que o carregador está ligado à tomada de parede e que o fluxo de energia para a tomada está ligado.

**CAUSA POSSÍVEL:** O carregador não está a funcionar.

O carregador está quente durante o carregamento? Se não estiver, o carregador pode estar avariado e ter de ser substituído.

■ **PROBLEMA: O veículo não funciona durante muito tempo.**

**CAUSA POSSÍVEL:** A bateria pode estar com pouca carga.

Poderá não estar a carregar a bateria durante tempo suficiente. Após cada utilização, ou no mínimo uma vez por mês, carregue a bateria durante 8 a 12 horas. Não deixe a bateria no carregador durante mais de 20 horas.

**CAUSA POSSÍVEL:** A bateria está velha.

A bateria acabará por perder a capacidade de manter a carga. Dependendo da quantidade de utilização e das condições variáveis, a bateria deve funcionar durante um a três anos. Substituir a bateria por uma nova.

■ **PROBLEMA: A bateria faz um zumbido ou gorgoleja quando está a carregar.**

Isto é normal e não é motivo de preocupação. Pode também ficar silencioso durante o carregamento, o que também é normal.

■ **PROBLEMA: O carregador fica quente ao recarregar a bateria.**

Isto é normal e não é motivo de preocupação.

## Manutenção da sua motocicleta

---

-É da responsabilidade dos pais verificar as partes principais do brinquedo antes de o utilizar, devendo examinar regularmente se existem riscos potenciais, tais como a bateria, a carga, o cabo ou o fio, a tomada, os parafusos de fixação ou outras partes e, em caso de danos, o brinquedo não deve ser utilizado enquanto esses danos não forem devidamente removidos.

-Verificar se as peças de plástico do veículo não estão rachadas ou partidas.

-Utilizar ocasionalmente um óleo leve para lubrificar as peças móveis, como as rodas.

-Estacione o veículo no interior ou cubra-o com uma lona para o proteger da chuva.

-Mantenha o veículo afastado de fontes de calor, como fogões e aquecedores. As peças de plástico podem derreter.

# **Manutenção da sua motocicleta**

---

-Recarregar a bateria após cada utilização. Apenas um adulto pode manusear a bateria. Recarregue a bateria pelo menos uma vez por mês quando o veículo Raider não estiver a ser utilizado.

-Não lave o veículo com uma mangueira. Não lave o veículo com água e sabão. Não conduza o veículo com tempo chuvoso ou com neve. A água danifica o motor, o sistema elétrico e a bateria.

-Limpar o veículo com um pano macio e seco. Para restaurar o brilho das peças de plástico, utilize um polidor de móveis sem cera. Não utilize cera para automóveis. Não utilizar produtos de limpeza abrasivos.

-Não conduzir o veículo em terra solta, areia ou cascalho fino que possam danificar as peças móveis, os motores ou o sistema elétrico.

-- Quando não estiver a ser utilizado, todas as fontes de energia eléctrica devem ser desligadas. Desligue o interruptor de alimentação e desligue a ligação da bateria.

# Descarte da bateria

---

Descarte da bateria



- A sua bateria selada de chumbo-ácido deve ser reciclada ou eliminada de uma forma ambientalmente correcta.
- Não jogue a bateria de chumbo-ácido no fogo. A bateria pode explodir ou derramar.
- Não descarte uma bateria de chumbo-ácido no lixo doméstico normal. A incineração, o aterro ou a mistura de baterias de chumbo-ácido seladas com o lixo doméstico são proibidos por lei.
- Devolva uma bateria gasta a uma empresa local aprovada para a reciclagem de baterias de chumbo-ácido, como um vendedor local de baterias para automóveis.
- Contacte os responsáveis locais pela gestão de resíduos para obter mais informações sobre a reciclagem e eliminação ecológica de baterias de chumbo-ácido.
- A bateria só deve ser carregada por um adulto. Carregue o produto antes de o utilizar!
- O brinquedo não deve ser ligado a potências excessivas (mais do que a quantidade aqui especificada) e não deve ser operado durante o processo de carregamento.
- Qualquer bateria recarregável só deve ser carregada sob a supervisão de um adulto.
- O carregador de bateria deve verificar regularmente os fios, tomadas, carcaça e outras peças quanto a danos, e os danos encontrados devem ser interrompidos e restaurados.
- Abra a tampa da bateria no controlo remoto e coloque duas peças de baterias, prestando atenção à polaridade das baterias. Volte a colocar a tampa do compartimento da bateria e fixe-a com parafusos (por favor, substitua a bateria de acordo com os passos acima e deve ser feito por um adulto).
- Todas as baterias devem ser inseridas com a polaridade correcta.
- A bateria não recarregável não deve ser carregada, por favor, remova qualquer bateria que esteja a acabar do brinquedo.
- Não utilize baterias velhas e novas em conjunto, nem misture diferentes tipos de baterias.
- O carregador de bateria utilizado com o brinquedo deve ser examinado regularmente para verificar se existem danos no cabo, na tomada, na caixa e noutras partes e, em caso de danos, não deve ser utilizado até que esses danos tenham sido reparados.

Os nossos produtos são adequados para  
ASTM F963; GB6675,GB19865; EN71 e EN62115 standard.

## KINDER

## ELEKTRONISCHES SPIELZEUG-MOTORRAD

IN240200182V02\_UK\_FR\_ES\_PT\_DE\_IT

**370-319V70\_370-319V90**



- Geeignet 3+ Jahren
- Maximales Benutzergewicht: 30 kg
- Montage durch einen Erwachsenen erforderlich



## BEDIENUNGSANLEITUNG

**Lesen und verstehen Sie dieses Handbuch vor der Verwendung vollständig!**

Bitte bewahren Sie dieses Handbuch zum späteren Nachschlagen auf, da es wichtige Informationen enthält.

Vor der ersten Verwendung sollte der Akku mindestens 8-12 Stunden geladen werden, nicht länger als 20 Stunden.

# Inhaltsverzeichnis

---

1. Über Ihr neues Motorrad
2. TEILELISTE
3. Teile-Diagramm
4. MONTAGESCHRITTE
5. Wie Sie Ihr Motorrad Betreiben
6. Laden des Motorrads
7. Anleitung zur Fehlersuche
8. Instandhaltung des Motorrads
9. Entsorgen der Batterie

## Über Ihr neues Motorrad

---

Vielen Dank, dass Sie sich für den Kauf unserer Produkte entschieden haben. Wir möchten, dass Ihr Kind viele Jahre lang Freude an diesem Produkt hat. Beachten Sie diese Punkte, wenn Sie diese Anleitung lesen:

Geeignetes Alter:	3+ Jahren	Akku:	DC 12V 4,5 Ah x 1
Belastbarkeit:	Unter 30Kg	Größe des Wagens:	1070*460*750mm
Geschwindigkeit:	3 km/h		
Material:	PP	Optimale Temperatur:	Unter 40 °C Vermeiden Sie die Verwendung unter stechender Sonne
Ladegerät:	Eingang: Auf dem Ladegerät angegeben	Aufladezeit:	8 bis 12 Stunden, höchstens 20 Stunden
	Ausgang: DC 12 V	Sicherung:	F 7A, selbst zurücksetzend
	Stromstärke: DC 0,5 A	Betriebsdauer:	12 Monate bis 18 Monate



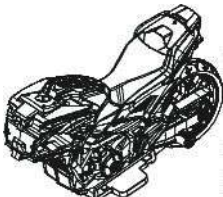
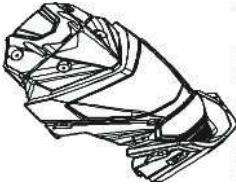
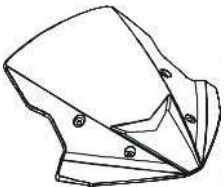
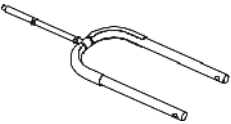
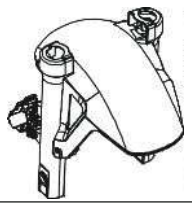
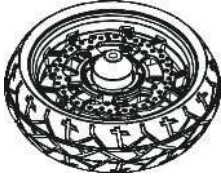
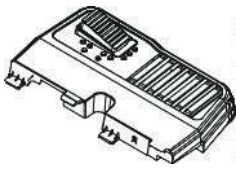
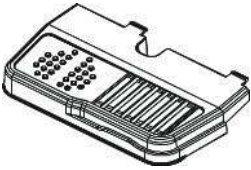

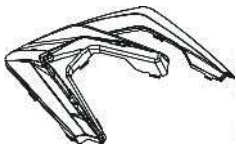
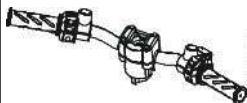
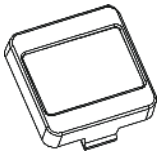

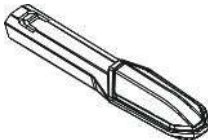
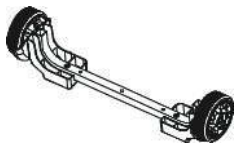
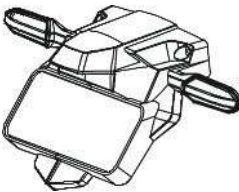
## WARNUNG!

ZUR SICHERHEIT IHRES KINDES LESEN SIE BITTE ALLE WARNHINWEISE UND MONTAGE-/VERWENDUNGSANWEISUNGEN. BEWAHREN SIE DIESE ANLEITUNG ZUM SPÄTEREN NACHSCHLAGEN AUF.

- Montage durch einen Erwachsenen erforderlich. Das Produkt enthält Kleinteile, die nur von Erwachsenen zusammengebaut werden dürfen. Halten Sie kleine Kinder bei der Montage fern.
- Entfernen Sie immer das Schutzmaterial und die Polybeutel und entsorgen Sie diese vor dem Zusammenbau.




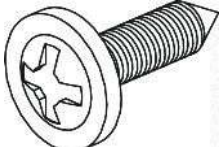
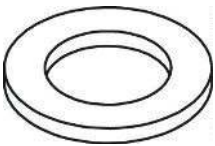


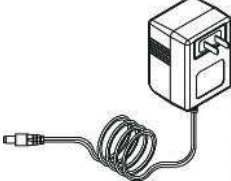
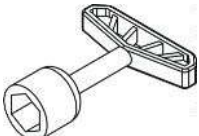
# Teileliste

TEILNUMMER	TEILE-BEZEICHNUNG	BILD	Menge (Stück)	HINWEISE	TEILNUMMER	TEILE-BEZEICHNUNG	BILD	Menge (Stück)	HINWEISE
1	Karosserie		1		2	Kopfabdeckung		1	
3	Windschutzscheibe		1		4	Gabel		1	
5	Kotflügel		1		6	Vorderrad		1	
7	Fußraste A		1	rechts	8	Fußraste B		1	Links
9	Zierabdeckung A		1 Paar	Links und rechts	10	Zierabdeckung B		1 Paar	Links und rechts
11	Lenker		1		12	Deckel		1	
13	Rückspiegel		1 Paar	Links und rechts	14	Blinker		2	
15	Stützrad		1		16	Nummernschild		1	

# Teileliste

TEILNUMMER	TEILE-BEZEICHNUNG	BILD	Menge (Stück)	HINWEISE	TEILNUMMER	TEILE-BEZEICHNUNG	BILD	Menge (Stück)	HINWEISE
17	Vorderradachse		1		18	Achse		1	
19	Unterlegscheibe		4	Wird in die Vorderradachse gesetzt	20	Mutter		2	Wird in die Vorderradachse gesetzt

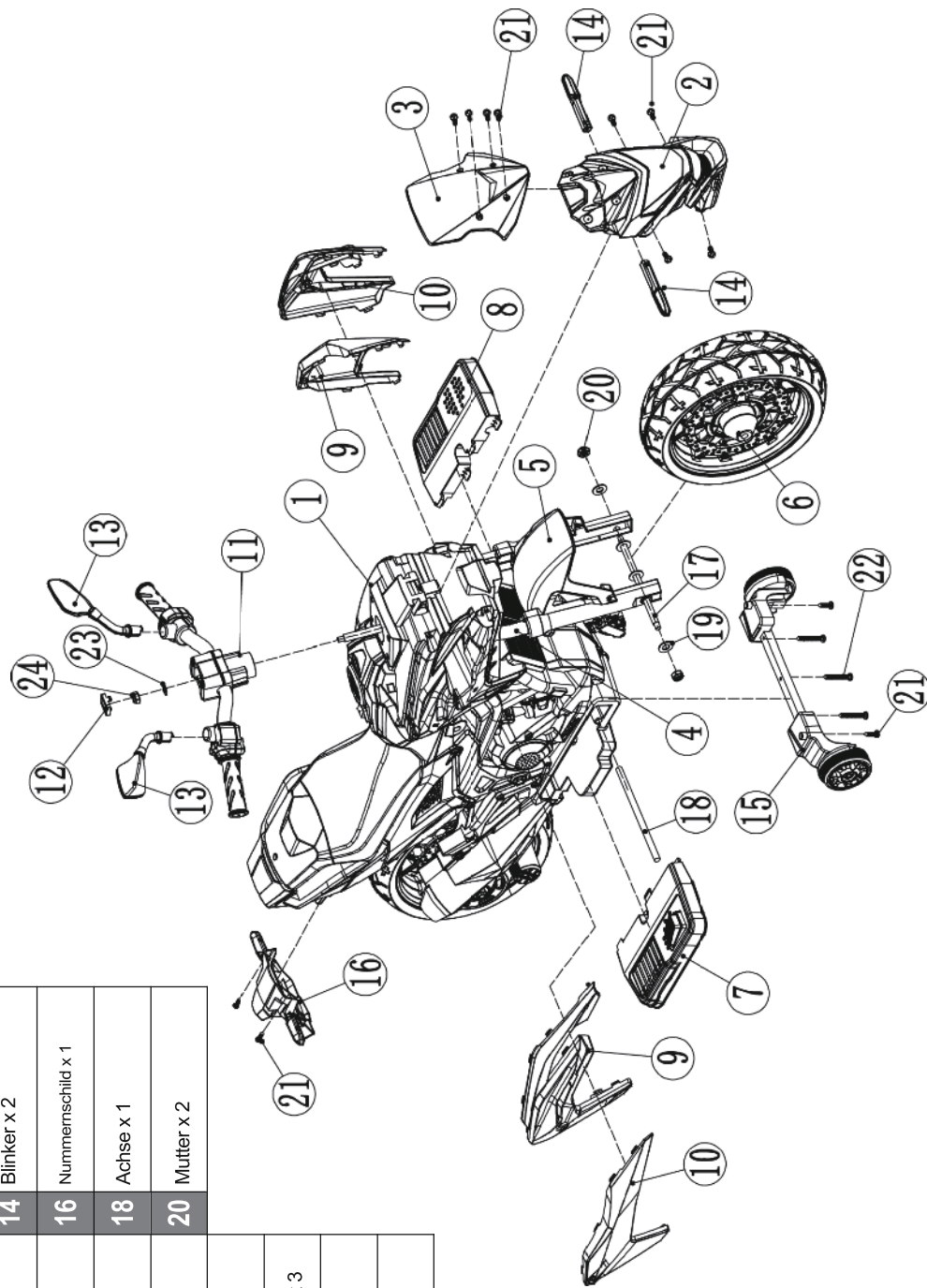
## Montagepaket

TEILNUMMER	TEILE-BEZEICHNUNG	BILD	Menge (Stück)	HINWEISE	TEILNUMMER	TEILE-BEZEICHNUNG	BILD	Menge (Stück)	HINWEISE
21	Schraube		12		22	M4 x 35 Schraube		3	
23	Unterlegscheibe		1		24	Mutter		1	
25	Gebrauchsanweisung		1		26	Ladegerät		1	
27	Schraubenschlüssel		2		28				

# Teile-Diagramm

**HINWEIS:** Einige der abgebildeten Teile werden auf beiden Seiten des Fahrzeugs montiert

1	Karosserie x 1	2	Kopfabdeckung x 1	3	Windschutzscheibe x 1
4	Gabel x 1	5	Kofflülge x 1	6	Vorderrad x 1
7	Fußraste A x 1	8	Fußraste B x 1	9	Zierabdeckung A x 2
10	Zierabdeckung B x 2	11	Lenker x 1	12	Abdeckung x 1
13	Rückspiegel x 2	14	Blinker x 2		
15	Trainingsrad x 1	16	Nummernschild x 1		
17	Vorderachse x 1	18	Achse x 1		
19	Unterlegscheibe x 4	20	Mutter x 2		
21	Schraube x 12				
22	M4 x 25 Schraube x 3				
23	Unterlegscheibe x 1				
24	Mutter x 1				



Erforderliches Werkzeug



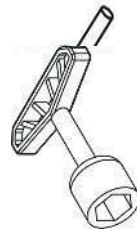
Schraubendreher  
(nicht enthalten)



Zange (nicht enthalten)



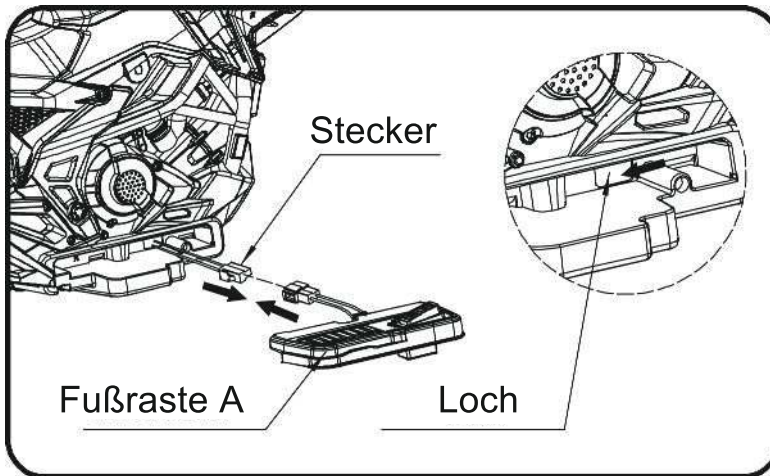
Hammer (nicht enthalten)



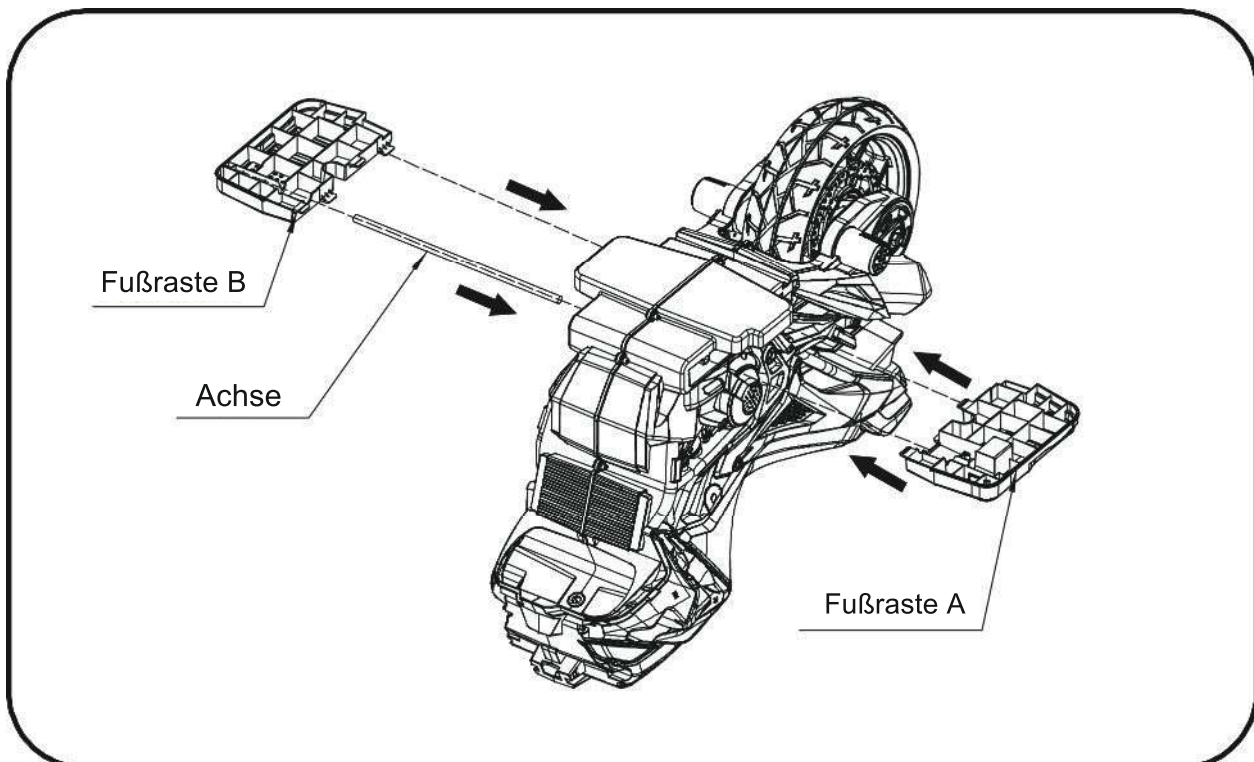
Schraubenschlüssel

# MONTAGESCHRITTE

## 1. Installieren Sie die Fußraste.



- Wie in der Abbildung gezeigt, die Taste des Steckers, und stecken Sie den Stecker in das Loch.

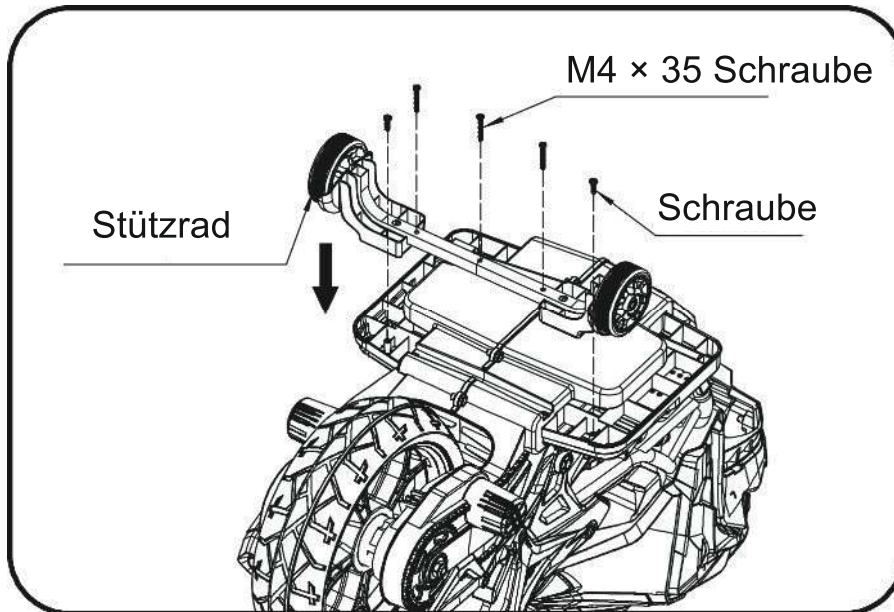


- Wie in der Abbildung gezeigt, stecken Sie die Achse durch die Karosserie.
- Wie auf dem Bild zu sehen, schieben Sie die beiden Fußrasten in Pfeilrichtung und vergewissern Sie sich, dass sie in der richtigen Position sind.



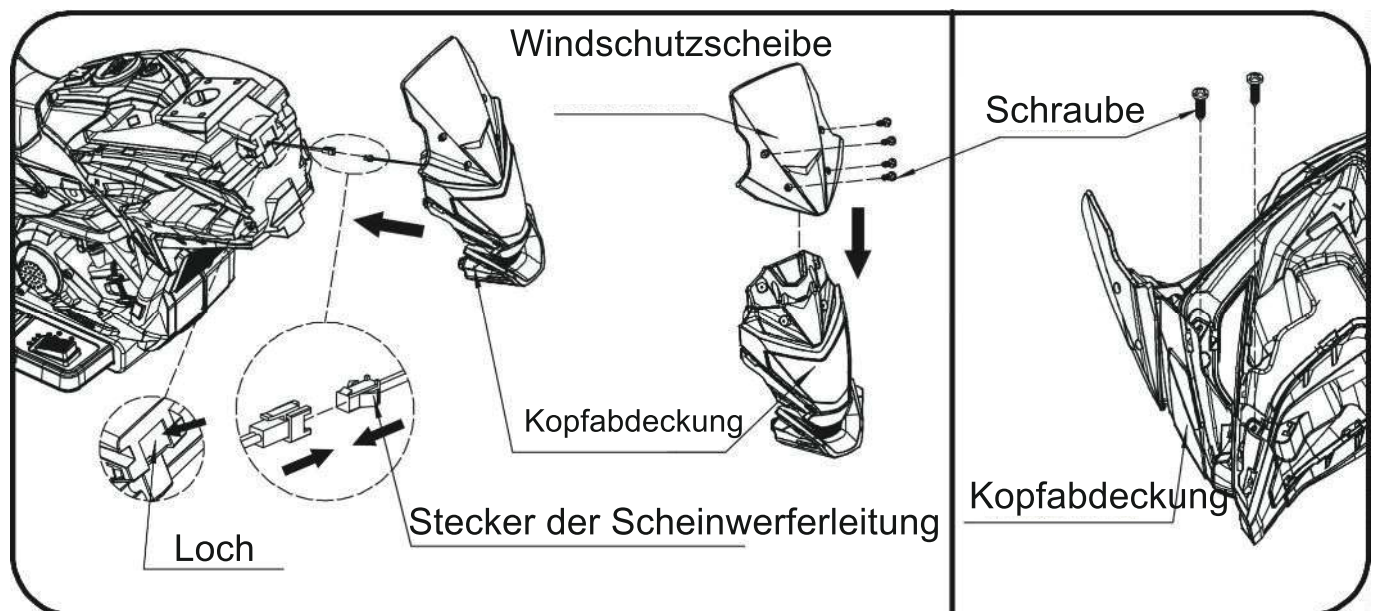
# MONTAGESCHRITTE

## 2. Installieren Sie das Trainingsrad.



- Wie in der Abbildung gezeigt, drehen Sie die Karosserie um, installieren das Trainingsrad an der entsprechenden Stelle und schrauben es fest.

## 3. Installieren Sie die Kopfabdeckung.

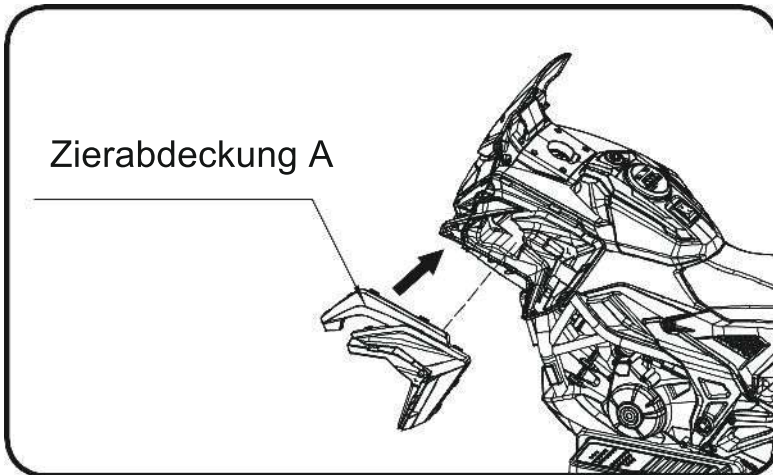


- Wie in der Abbildung gezeigt, installieren Sie die Windschutzscheibe an der entsprechenden Stelle und befestigen Sie sie mit Schrauben.
- Die Taste für den Scheinwerferstecker und den Stecker in das Loch stecken
- Wie in der Abbildung gezeigt, installieren Sie die Kopfabdeckung an der entsprechenden Stelle und befestigen Sie sie mit Schrauben.

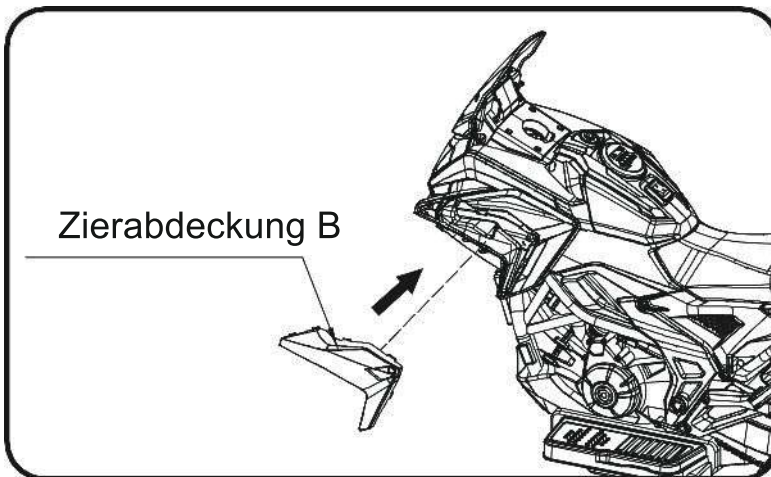


# MONTAGESCHRITTE

## 4. Installieren Sie die Zierabdeckung.

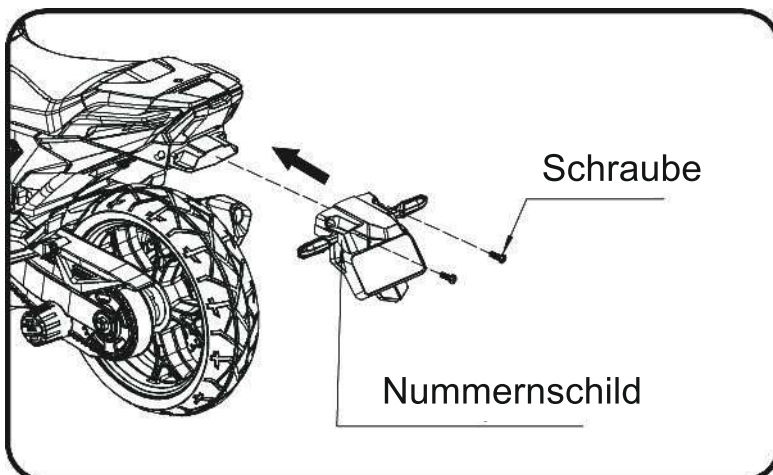


- Wie in der Abbildung gezeigt, installieren Sie die Zierabdeckung A an der entsprechenden Stelle.



- Wie in der Abbildung gezeigt, installieren Sie die Zierabdeckung B an der entsprechenden Stelle.

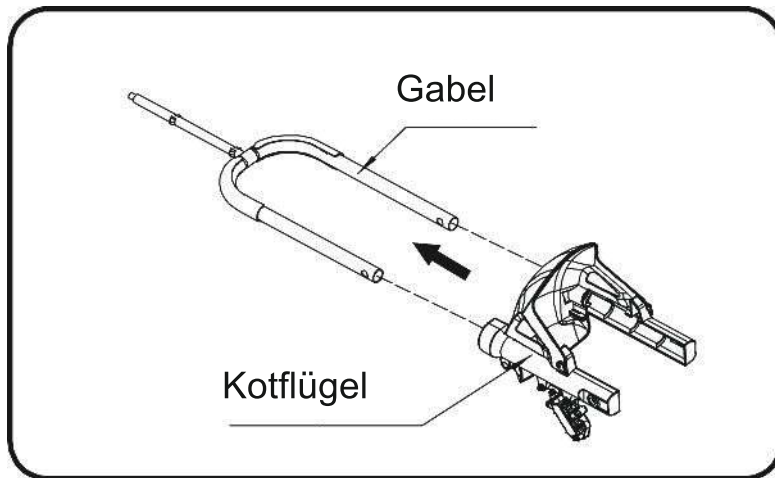
## 5. Installieren Sie das Nummernschild.



- Wie in der Abbildung gezeigt, installieren Sie das Nummernschild an der entsprechenden Stelle und befestigen Sie es mit Schrauben.

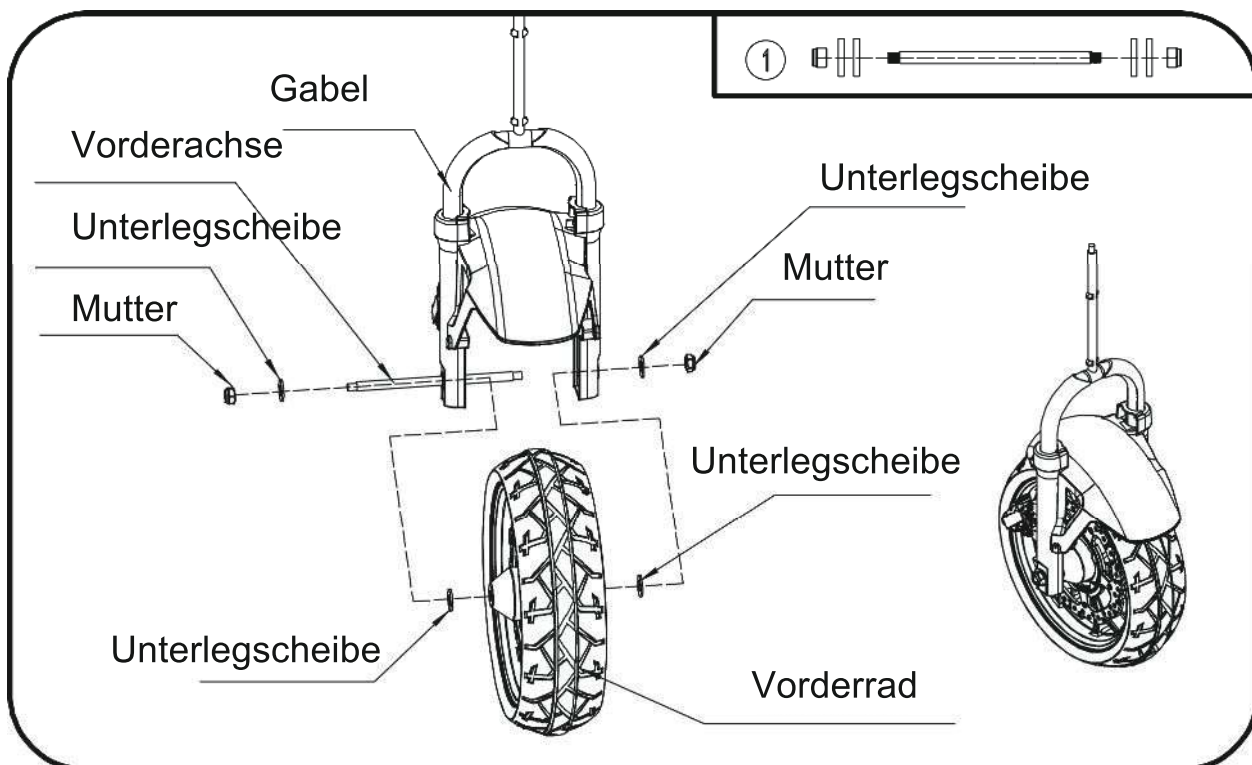
# MONTAGESCHRITTE

## 6. Installieren Sie den Kotflügel.



- Wie in der Abbildung gezeigt, installieren Sie das Schutzblech an der entsprechenden Stelle.

## 7. Installieren Sie das Vorderrad.

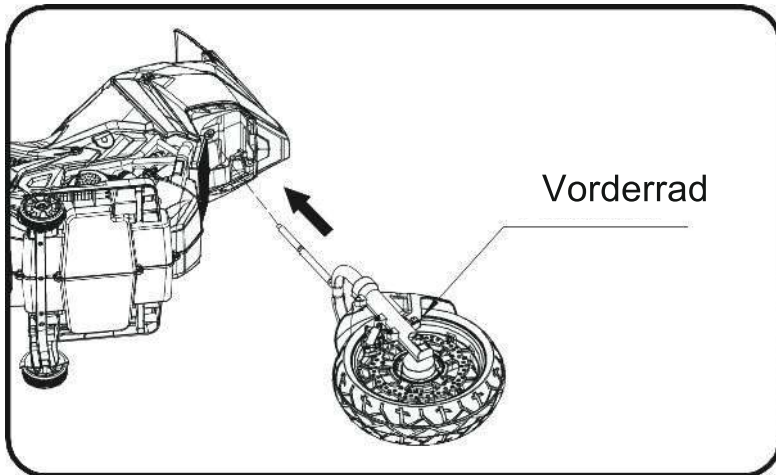


- Wie in der Abbildung 1 gezeigt, trennen Sie die Teile der Vorderachse.
- Wie in der Abbildung gezeigt, stecken Sie die Vorderachse durch die Gabel, installieren Sie nacheinander die Unterlegscheibe, das Vorderrad und die Unterlegscheibe.
- Dann durch die Gabel, und installieren Sie Unterlegscheiben auf beiden Seiten und befestigen Sie mit Muttern.

# MONTAGESCHRITTE

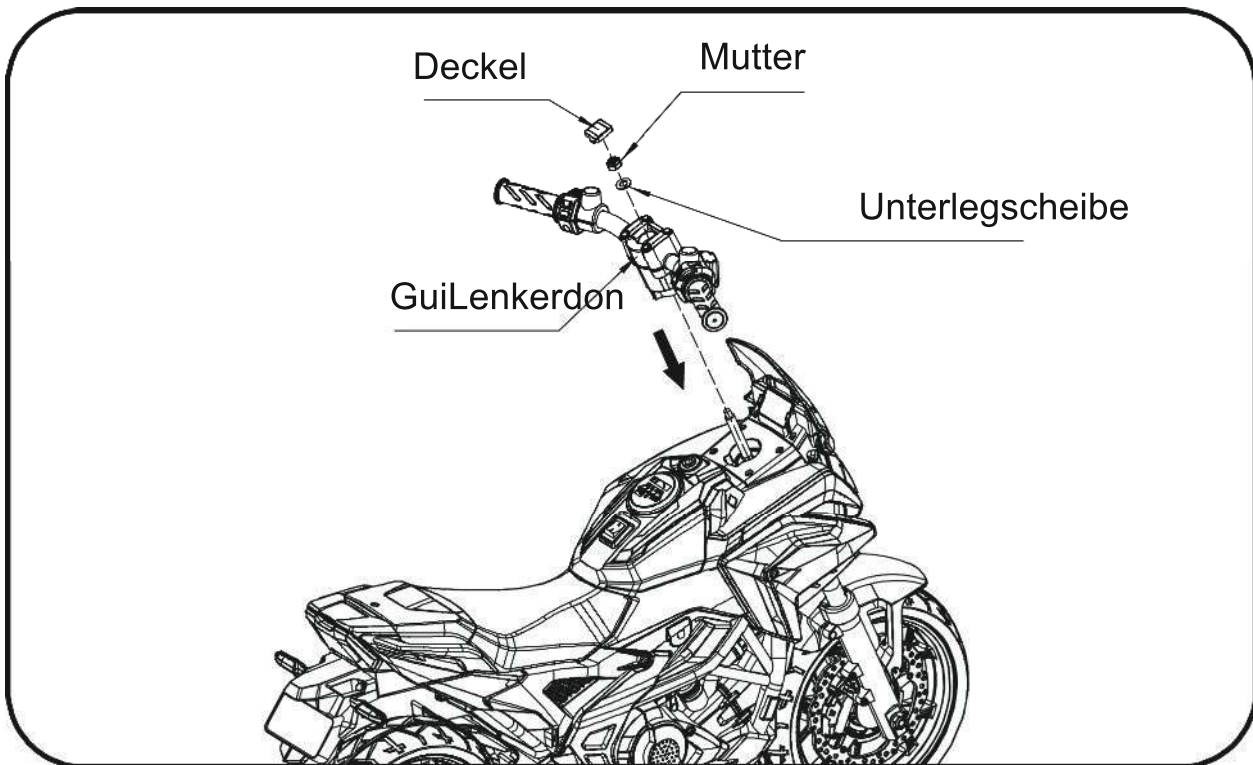
---

## 8. Installieren Sie das Vorderrad.



- Stellen Sie das Vorderrad, wie im Bild gezeigt, durch die Karosserie.

## 9. Installieren Sie den Lenker.

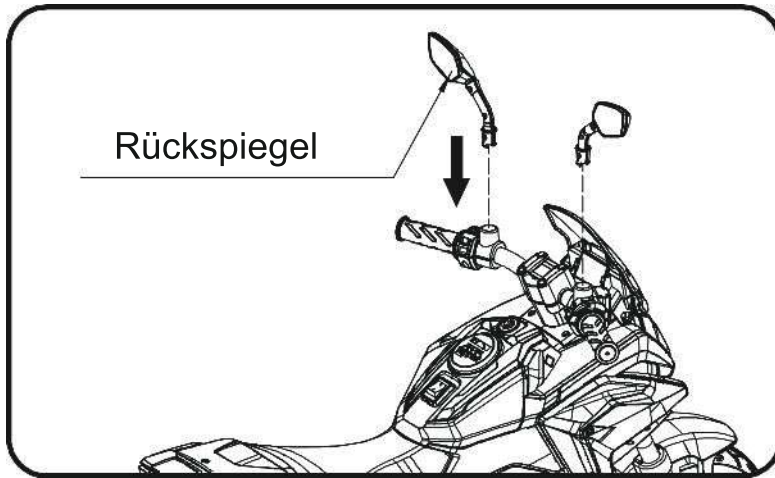


- Wie in der Abbildung gezeigt, installieren Sie den Lenker an der entsprechenden Stelle, und befestigen Sie ihn mit Mutter, Unterlegscheibe und Abdeckung.

# MONTAGESCHRITTE

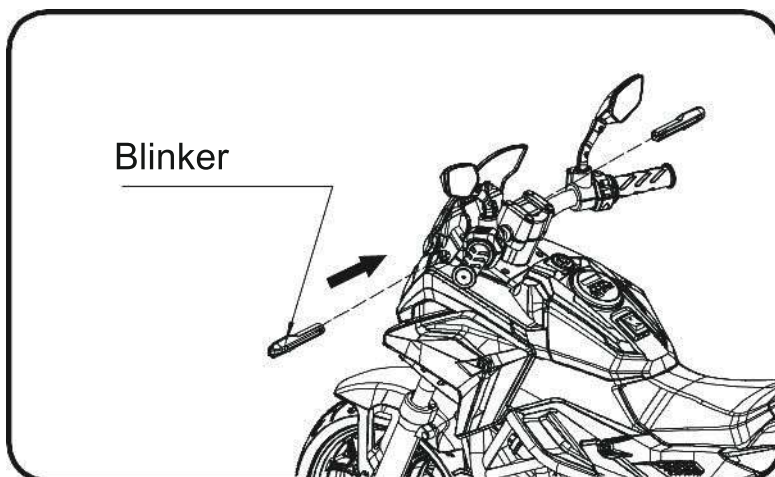
---

## 10. Installieren Sie den Rückspiegel.



- Wie in der Abbildung gezeigt, drücken Sie den Rückspiegel nach unten, um ihn zu befestigen.

## 11. Installieren Sie den Blinker.

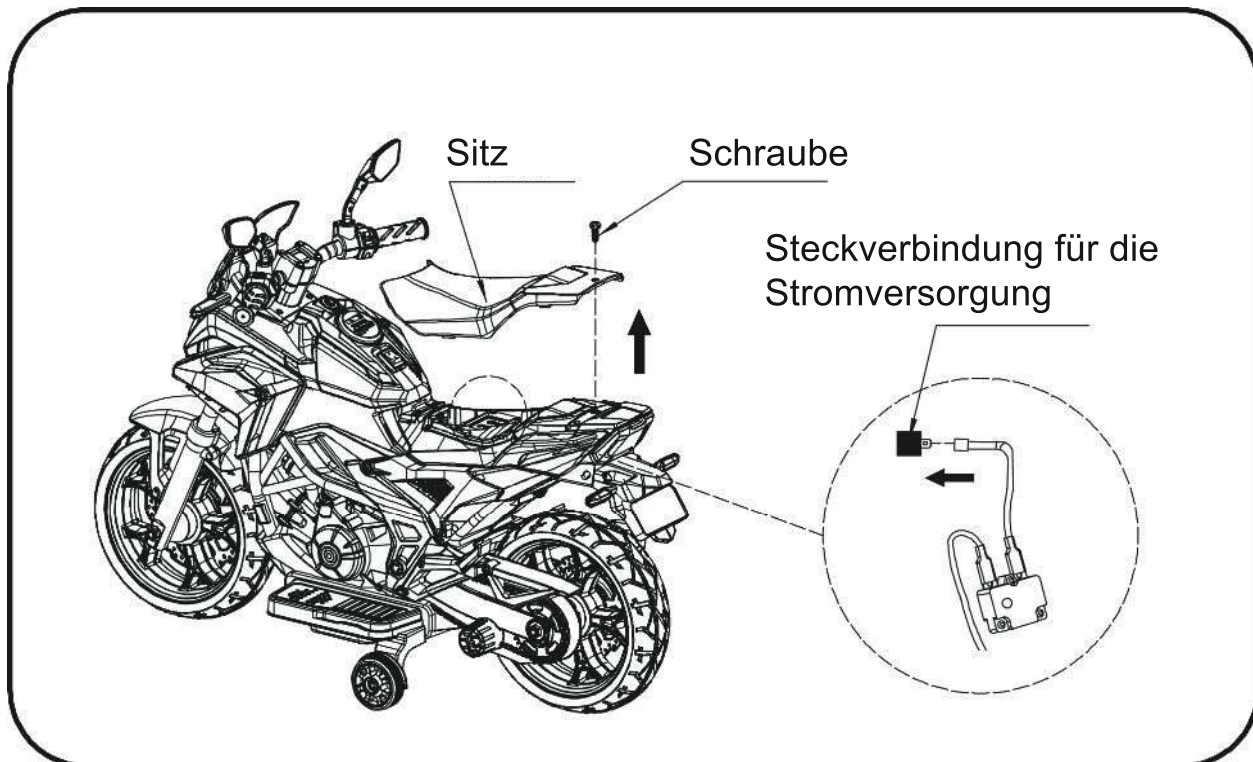


- Wie in der Abbildung gezeigt, drücken Sie die beiden Blinker in Pfeilrichtung und achten Sie darauf, dass sie richtig sitzen.

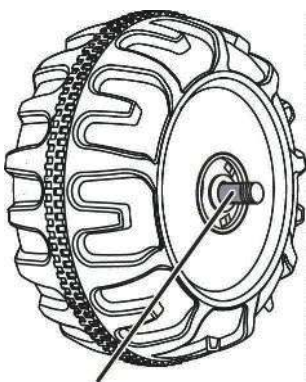


# MONTAGESCHRITTE

## 12. Schließen Sie die Stromversorgung an.



- Wie in der Abbildung gezeigt, schrauben Sie die Schraube ab, und öffnen Sie den Sitz.
- Stecken Sie die Steckverbindung wie abgebildet in die Klemme am Akku.
- Installieren Sie dann den Sitz an der entsprechenden Stelle und schrauben Sie ihn fest.



SPALT

### WICHTIGE ERGÄNZUNG ZUR BEDIENUNGSANLEITUNG

Nach der Montage jedes Rades auf die Achsen, prüfen Sie bitte die Lücke zwischen dem Schraubengewinde und dem Federteil (siehe Bild unten), wenn die Lücke zu groß ist, fügen Sie bitte zwei oder drei Unterlegscheiben im Inneren des Rades hinzu, aber nachdem Sie die Mutter außerhalb des Rades festziehen, drehen Sie bitte das Rad mit dem Finger, um zu prüfen, ob das Rad reibungslos laufen kann, dies ist sehr wichtig, denn wenn das Rad reibungslos laufen kann, ist es in Ordnung, aber wenn die Mutter das Rad drückt und das Rad nicht reibungslos laufen kann, wird der Motor leicht brechen! Dann müssen Sie eine oder zwei Unterlegscheiben abnehmen, um sicherzustellen, dass das Rad reibungslos laufen kann!



# Wie Sie Ihr Motorrad betreiben



## **WARNUNG!**

### **VERLETZUNGEN UND TODESFÄLLE VERHINDERN:**

- **LASSEN SIE IHR KIND NIEMALS UNBEAUF SICHTIGT. DIREKTE BEAUF SICHTIGUNG DURCH EINEN ERWACHSENEN IST ERFORDERLICH.** Das Kind immer im Auge behalten, wenn es sich im Fahrzeug befindet.
- **Verwenden Sie das Gerät niemals im Straßenverkehr, in der Nähe von Autos, auf oder in der Nähe von steilen Gefällen oder Treppen, Schwimmbädern oder anderen Gewässern.**
- **Tragen Sie immer Schuhe.**
- **Immer auf dem Sitz sitzen.**
- **Geeignet für Kinder 3+ Jahren; maximales Benutzergewicht 30 kg.**
- **Nicht für die Verwendung im Straßenverkehr geeignet.**

Muss vor der Verwendung bestätigt werden, dass die Arbeit bereits beendet ist:

- **Wichtig! Bevor Sie das Fahrzeug zum ersten Mal verwenden, muss der Akku 8 bis 12 Stunden lang geladen werden, nicht länger als 20 Stunden. Nur ein Erwachsener darf den Akku laden oder aufladen.**
- **Beenden Sie das komplette Motorrad, indem Sie es gemäß den in dieser Betriebsanleitung beschriebenen Schritten zusammenbauen. Das Steckpaket des Akkus ist bereits gut eingesteckt, der Strom ist bereits durchgesteckt.**
- **An allen Stellen, an denen die Schraube benötigt wird, ist die Verschraubung bereits verriegelt.**

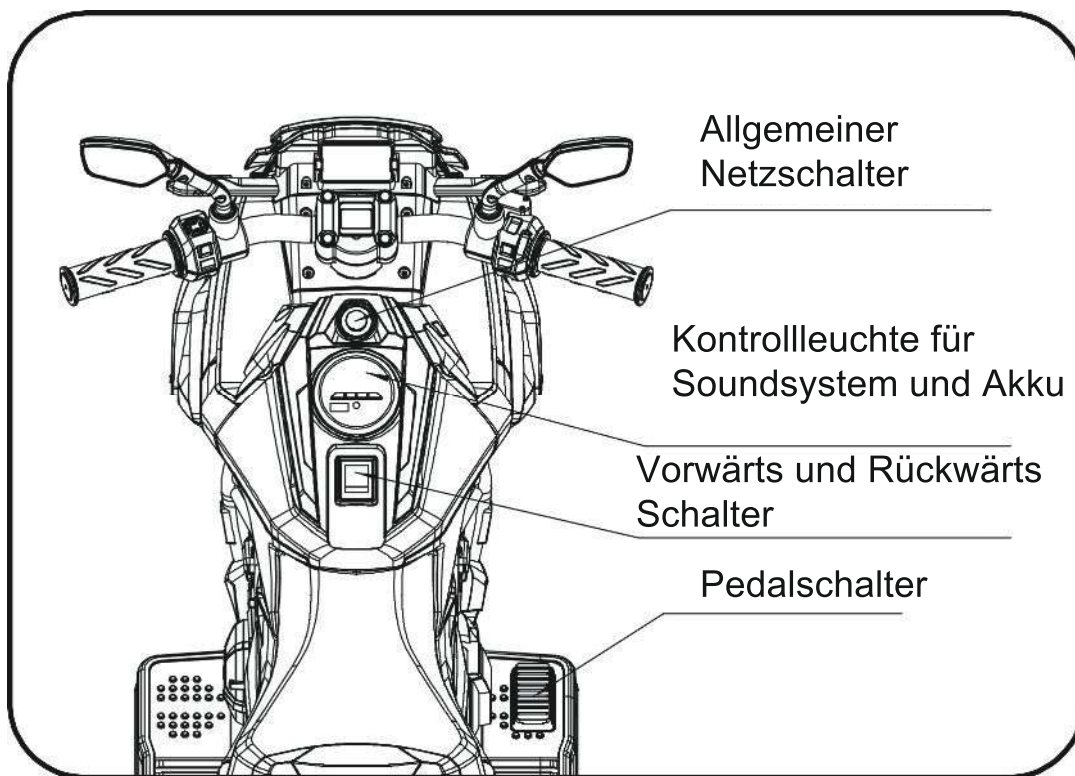
### Regeln für sicheres Fahren

**LESEN SIE DIESE REGELN IHREM KIND UND SEINEN SPIELKAMERADEN LAUT VOR UND STELLEN SIE SICHER, DASS SIE SIE VERSTEHEN!**

- **Dieses Spielzeug ist keine Spielerei. Tragen Sie beim Fahren immer einen Helm und Schutzkleidung.**
- **Direkte Beaufsichtigung durch einen Erwachsenen erforderlich.**
- **Halten Sie Kinder in sicheren Fahrbereichen:**
- **Verwenden Sie es niemals im Straßenverkehr, in der Nähe von Kraftfahrzeugen, auf Rasenflächen, an oder in der Nähe von steilen Hängen oder Stufen, Schwimmbädern oder anderen Gewässern.**
- **Verwenden Sie das Spielzeug nur auf ebenen Flächen, z. B. in Ihrem Haus, Garten oder auf einem Spielplatz.**
- **Niemals im Dunkeln verwenden. Ein Kind könnte auf unerwartete Hindernisse stoßen und einen Unfall erleiden. Betreiben Sie das Fahrzeug nur bei Tageslicht oder in einem gut beleuchteten Bereich.**
- **Es wird nicht empfohlen, das Fahrzeug auf nassem Untergrund oder auf Steigungen von mehr als 15 Grad zu fahren.**
- **Verwenden Sie dieses Fahrzeug nicht im Außenbereich, wenn es regnet oder schneit.**
- **Achten Sie darauf, dass Sie das Fahrzeug vollständig zum Stehen bringen, bevor Sie die Fahrtrichtung wechseln.**
- **Bitte beachten Sie die korrekten Gewichts- und Altersgrenzen, die zum Fahren dieses Fahrzeugs erlaubt sind.**
- **Es ist verboten, die Schaltung zu verändern oder andere elektrische Teile hinzuzufügen**
- **Überprüfen Sie die Leitungen und Anschlüsse des Fahrzeugs regelmäßig.**
- **Um Unfälle zu vermeiden, stellen Sie vor der Fahrt sicher, dass das Fahrzeug sicher ist.**
- **Lassen Sie kein Kind die Räder berühren oder sich in deren Nähe aufhalten, wenn sich das Fahrzeug in Bewegung befindet.**

# Wie Sie Ihr Motorrad betreiben

## Verwendung



## WICHTIG!

Stoppen Sie das Fahrzeug immer, wenn Sie die Geschwindigkeit oder Richtung ändern, um Schäden am Getriebe und Motor zu vermeiden.

(1) Schalten Sie zuerst den Hauptschalter ein, dann kann die Musik abgespielt werden.

(2) Vorwärts

Drücken Sie den „Vorwärts- und Rückwärtsschalter“ in die Position „Vorwärts“.

Betätigen Sie das Pedal.

Das Fahrzeug fährt vorwärts.

(3) Stoppen

Nehmen Sie den Fuß vom Gaspedal, um das Fahrzeug zu stoppen.

(4) Rückwärtsfahren

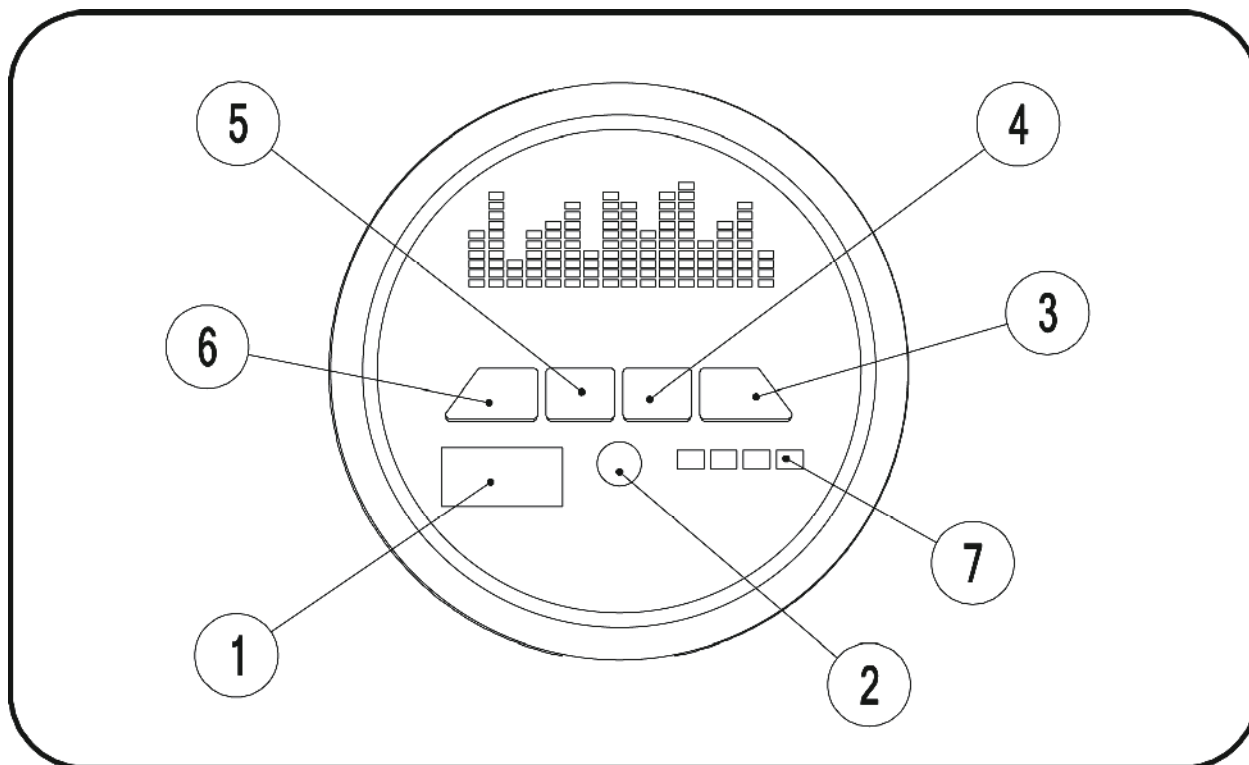
Drücken Sie den „Vorwärts- und Rückwärtsschalter“ in die Position „Rückwärts“.

Betätigen Sie das Pedal.

Das Fahrzeug fährt rückwärts.

# Wie Sie Ihr Motorrad betreiben

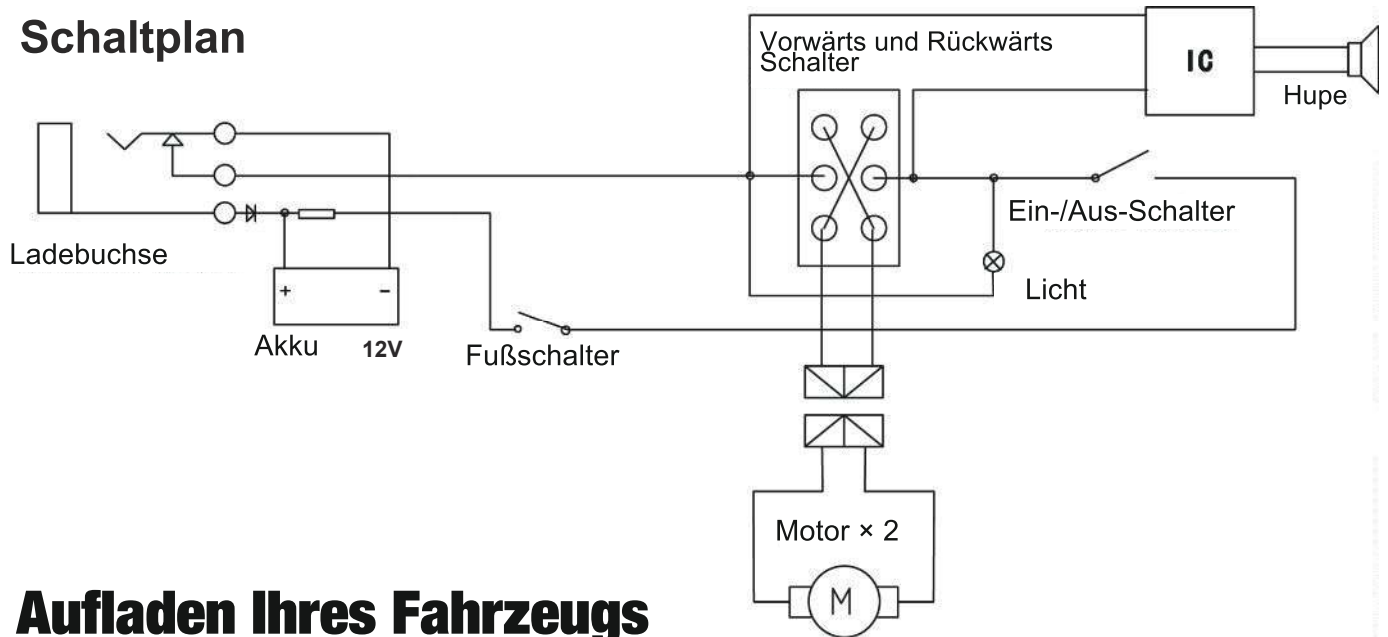
## (5) Verwendung des Soundsystems und der Kontrollleuchte für den Akku



- 1. Steckplatz für Speichergerät.
- 2. AUX-Anschluss
- 3. MODUS-Taste: Schaltet das Fahrzeug zwischen dem Musikwiedergabemodus und dem intelligenten Anschlussmodus um.  
Hinweis: Das Fahrzeug kann im intelligenten Anschlussmodus gesucht und für den Anschluss an das Mobiltelefon angeschlossen werden, um die mobile Klangquelle abzuspielen.
- 4. Lautstärke verringern/Letztes Lied: Titel wechseln.
- 5. Lautstärke erhöhen/Nächster Titel: Titel wechseln.
- 6. Taste für die Hupe
- 7. Leistungsanzeige: Zeigt die Akkuleistung und den Ladestand an.

# Wie Sie Ihr Motorrad betreiben

## Schaltplan



## Aufladen Ihres Fahrzeugs

**Nur ein Erwachsener kann den Akku laden und aufladen!**

**Nicht wiederaufladbare Akkus dürfen nicht wieder aufgeladen werden;**

**verschiedene Arten von Akkus oder neue und gebrauchte Akkus dürfen nicht vermischt werden;**

**Akkus müssen mit der richtigen Polarität eingelegt werden;**

**Erschöpfte Akkus sind aus dem Spielzeug zu entfernen;**

**Die Versorgungsklemmen dürfen nicht kurzgeschlossen werden.**

**Wiederaufladbare Akkus dürfen nur unter Aufsicht von Erwachsenen geladen werden;**

**Wiederaufladbare Akkus müssen vor dem Laden aus dem Spielzeug entfernt werden;**

**Die Stromwandler oder Akkuladegeräte, die mit dem Spielzeug verwendet werden, sind**

**regelmäßig auf Schäden am Kabel, am Stecker, am Gehäuse und an anderen Teilen zu**

**überprüfen; im Falle eines solchen Schadens dürfen sie nicht verwendet werden, bis der**

**Schaden behoben ist.**

## **⚠️ WARNUNG!**

### **• ERMEIDEN SIE FEUER UND STROMSCHLÄGE:**

**-Verwenden Sie nur den Akku und das Ladegerät, die mit Ihrem Motorrad geliefert wurden. Ersetzen Sie den Akku oder das Ladegerät NIEMALS durch ein anderes Fabrikat. Die Verwendung eines anderen Akkus oder Ladegeräts kann einen Brand oder eine Explosion verursachen.**

**-Verwenden Sie den Akku oder das Ladegerät nicht für ein anderes Produkt. Es könnte zu Überhitzung, Brand oder Explosion kommen.**

**-Verändern Sie NIEMALS das Stromkreissystem. Eingriffe in das elektrische System können zu einem Stromschlag, Brand oder einer Explosion führen oder das System dauerhaft beschädigen.**

**-Vermeiden Sie den direkten Kontakt zwischen den Polen des Akkus. Es kann zu Bränden oder Explosionen kommen.**

**- Lassen Sie keine Flüssigkeiten jeglicher Art auf den Akku oder seine Bauteile gelangen.**

# Aufladen Ihres Fahrzeugs

## **WARNUNG!**

### •VERMEIDEN SIE FEUER UND STROMSCHLÄGE:

- Beim Laden werden explosive Gase erzeugt. Laden Sie nicht in der Nähe von Hitze oder brennbaren Materialien. Laden Sie den Akku NUR in einem gut belüfteten Bereich auf.
- Heben Sie den Akku NIEMALS an den Kabeln oder am Ladegerät auf. Der Akku kann beschädigt werden und einen Brand verursachen. Heben Sie den Akku NUR am Gehäuse an.
- Laden Sie den Akku NUR in einem trockenen Raum.
- Die Pole des Akkus, die Klemmen und das dazugehörige Zubehör enthalten Blei und Bleiverbindungen, Chemikalien, die dem Staat Kalifornien als krebserregend und fortpflanzungsgefährdend bekannt sind. Waschen Sie sich nach der Handhabung die Hände.
- Öffnen Sie den Akku nicht. Der Akku enthält Bleisäure und andere Materialien, die giftig und ätzend sind.
- Öffnen Sie das Ladegerät nicht. Freiliegende Kabel und Schaltkreise im Inneren des Gehäuses können zu Stromschlägen führen.
- Nur Erwachsene dürfen den Akku handhaben oder laden. Erlauben Sie Kindern NIEMALS, den Akku zu handhaben oder zu laden.
- Der Akku ist schwer und enthält Bleisäure (Elektrolyt).
- Lassen Sie den Akku nicht fallen. Der Akku könnte dauerhaft beschädigt werden oder schwere Verletzungen verursachen.
- Prüfen Sie vor dem Laden des Akkus, ob der Akku, das Ladegerät, sein Stromkabel und die Steckverbindungen abgenutzt oder beschädigt sind. Laden Sie den Akku NICHT, wenn Teile beschädigt sind.
- Lassen Sie den Akku nicht vollständig entleeren. Laden Sie den Akku nach jeder Verwendung oder einmal im Monat auf, wenn er nicht regelmäßig verwendet wird.
- Laden Sie den Akku nicht verkehrt herum.
- Sichern Sie den Akku immer mit der Halterung. Der Akku kann herausfallen und ein Kind verletzen, wenn das Fahrzeug umkippt.
- Eine Empfehlung für die Beaufsichtigung von Kleinkindern durch Erwachsene.
- Das Spielzeug sollte mit Vorsicht verwendet werden, da Fähigkeiten erforderlich sind, um Stürze oder Zusammenstöße zu vermeiden, die zu Verletzungen des Benutzers oder Dritter führen können.

- Die Buchse zum Laden befindet sich UNTER DEM SITZ.
- Der NETZSCHALTER muss während des Ladevorgangs in die Position AUS gedreht werden.
- Vor der ersten Verwendung sollten Sie den Akku 8-12 Stunden lang laden. Laden Sie den Akku nicht länger als 20 Stunden auf, um eine Überhitzung des Ladegeräts zu vermeiden.
- Laden Sie die Batterie auf, wenn das Fahrzeug langsam zu laufen beginnt.
- Nach jeder Verwendung oder einmal im Monat müssen Sie den Akku mindestens 8 bis 12 Stunden aufladen, nicht länger als 20 Stunden.



# Aufladen Ihres Fahrzeugs



1. Suchen Sie die Buchse zum Laden unter dem Sitz;
2. Stecken Sie den Anschluss des Ladegeräts in die Eingangsbuchse;
3. Stecken Sie den Stecker des Ladegeräts in eine Steckdose. Der Akku beginnt zu laden.

# Anleitung zur Fehlersuche

---

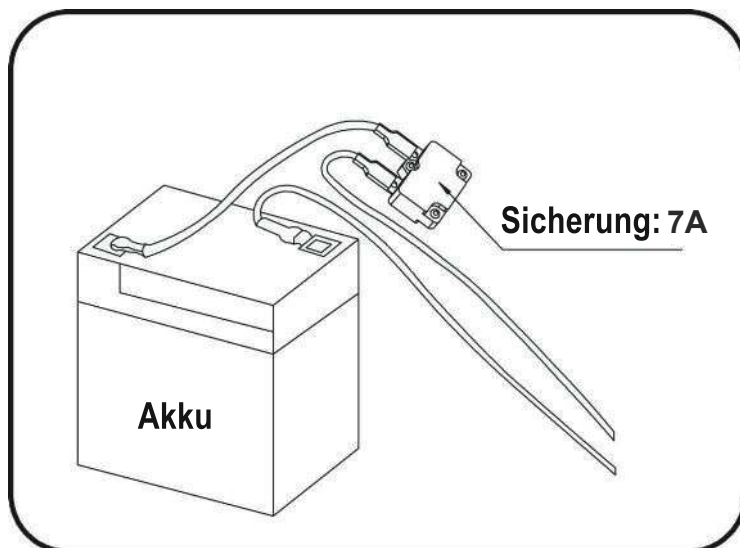
## **PROBLEM: Das Fahrzeug läuft nicht**

### **PROBLEM-URSACHE: Der Akku ist möglicherweise zu schwach aufgeladen.**

Laden Sie den Akku nach jeder Verwendung oder mindestens einmal im Monat für 8 bis 12 Stunden. Lassen Sie den Akku nicht länger als 20 Stunden am Ladegerät.

**MÖGLICHE URSACHE:** Die Thermosicherung hat ausgelöst.

Das Fahrzeug ist mit einer selbstrückstellenden Sicherung ausgestattet. Wenn das Fahrzeug überlastet oder falsch betrieben wird, wird die selbstrückstellende Sicherung für 5-20 Sekunden abgeschaltet, bevor sie wieder betriebsbereit ist. Die selbstrücksetzende Sicherung befindet sich unter dem Sitz (siehe Abbildung).



Um zu vermeiden, dass die Sicherung den Strom ausschaltet, beachten Sie die folgenden Richtlinien:

Überladen Sie das Fahrzeug NICHT, zulässiges Höchstgewicht: 30 kg

Ziehen Sie KEINE Gegenstände hinter dem Fahrzeug her.

Fahren Sie NICHT steile Hänge hinauf.

Fahren Sie NICHT gegen feste Gegenstände, da dies zum Durchdrehen der Räder und damit zur Überhitzung des Motors führen kann.

Fahren Sie NICHT bei sehr heißem Wetter, die Komponenten könnten überhitzen.

Nehmen Sie KEINE Eingriffe in das elektrische System vor, da dies einen Kurzschluss schaffen kann, wodurch die Sicherung ausgelöst wird.

**MÖGLICHE URSACHE:** Die Radmuttern sind locker.

Wenn die Muttern nicht fest angezogen sind, greifen die Räder nicht im Vorwärtsgang.

Ziehen Sie die Muttern mit dem Mutternschlüssel fest.

**MÖGLICHE URSACHE:** Akkustecker oder Kabel sind lose.

Stellen Sie sicher, dass die Akkustecker fest miteinander verbunden sind.

**MÖGLICHE URSACHE:** Der Akku ist leer.

Haben Sie den Akku ordnungsgemäß und gemäß den Anweisungen gewartet? Ist der Akku alt? Möglicherweise muss der Akku ausgetauscht werden.

**MÖGLICHE URSACHE:** Das elektrische System ist beschädigt.

Wasser könnte das System korrodiert haben, oder loser Schmutz, Kies oder Sand könnte den Schalter blockiert haben.

**MÖGLICHE URSACHE:** Der Motor ist beschädigt.

Der Motor muss professionell repariert werden.

**MÖGLICHE URSACHE:** Der Akkustecker oder der Netzteilstecker ist locker.

Stellen Sie sicher, dass der Akku- und der Netzteilstecker fest zusammengesteckt sind.

## Anleitung zur Fehlersuche

---

**MÖGLICHE URSACHE:** Das Ladegerät ist nicht eingesteckt.

Stellen Sie sicher, dass das Ladegerät in die Steckdose eingesteckt ist und die Stromversorgung zur Steckdose eingeschaltet ist.

**MÖGLICHE URSACHE:** Das Ladegerät funktioniert nicht.

Ist das Ladegerät beim Aufladen warm? Wenn nicht, ist das Ladegerät möglicherweise defekt und muss ausgetauscht werden.

Anleitung zur Fehlersuche

**PROBLEM: Das Fahrzeug läuft nicht sehr lange.**

**MÖGLICHE URSACHE:** Der Akku ist möglicherweise nicht ausreichend aufgeladen.

Möglicherweise laden Sie den Akku nicht lange genug auf. Laden Sie den Akku nach jeder Verwendung, mindestens jedoch einmal im Monat, für 8 bis 12 Stunden. Lassen Sie den Akku nicht länger als 20 Stunden am Ladegerät.

**MÖGLICHE URSACHE:** Der Akku ist alt.

Der Akku verliert mit der Zeit die Fähigkeit, eine Ladung zu halten. Je nach Umfang der Verwendung und den unterschiedlichen Bedingungen sollte der Akku ein bis drei Jahre betrieben werden. Ersetzen Sie den Akku durch einen neuen.

**PROBLEM: Der Akku brummt oder gluckert beim Laden.**

Dies ist normal und kein Grund zur Besorgnis. Er kann beim Laden auch leise sein, was ebenfalls normal ist.

**PROBLEM: Das Ladegerät fühlt sich warm an, wenn der Akku aufgeladen wird.**

Dies ist normal und kein Grund zur Besorgnis.

## Instandhaltung des Motorrads

---

- Es liegt in der Verantwortung der Eltern, die wichtigsten Teile des Spielzeugs vor der Verwendung zu prüfen. Sie müssen das Spielzeug regelmäßig auf mögliche Gefahren untersuchen, wie z. B. den Akku, das Laden, das Kabel oder die Schnur, den Stecker, die Schrauben und das Befestigungsgehäuse anderer Teile, und im Falle einer solchen Beschädigung darf das Spielzeug nicht benutzt werden, bis diese Beschädigung ordnungsgemäß entfernt wurde.
- Stellen Sie sicher, dass die Kunststoffteile des Fahrzeugs nicht gerissen oder gebrochen sind.
- Verwenden Sie gelegentlich ein leichtes Öl, um bewegliche Teile, wie z. B. Räder, zu schmieren.
- Stellen Sie das Fahrzeug in einer Halle ab oder decken Sie es mit einer Plane ab, um es vor nassem Wetter zu schützen.
- Halten Sie das Fahrzeug von Wärmequellen, wie z. B. Öfen und Heizungen, fern. Kunststoffteile können schmelzen.
- Laden Sie den Akku nach jedem Gebrauch wieder auf. Der Akku darf nur von einem Erwachsenen gehandhabt werden. Laden Sie den Akku mindestens einmal im Monat auf, wenn das Fahrzeug Raider nicht verwendet wird.

# **Instandhaltung des Motorrads**

---

- Waschen Sie das Fahrzeug nicht mit einem Schlauch. Waschen Sie das Fahrzeug nicht mit Seife und Wasser. Fahren Sie das Fahrzeug nicht bei Regen- oder Schneewetter. Wasser beschädigt den Motor, das elektrische System und den Akku.
- Reinigen Sie das Fahrzeug mit einem weichen, trockenen Tuch. Um den Glanz von Kunststoffteilen wiederherzustellen, verwenden Sie eine wachsfreie Möbelpolitur. Verwenden Sie kein Autowachs. Verwenden Sie keine scheuernden Reinigungsmittel.
- Fahren Sie das Fahrzeug nicht auf losem Schmutz, Sand oder feinem Kies, die bewegliche Teile, Motoren oder das elektrische System beschädigen könnten.
- Wenn das Gerät nicht benutzt wird, sollten alle elektrischen Quellen ausgeschaltet werden. Schalten Sie den Netzschalter aus und trennen Sie den Batterieanschluss.

# Entsorgen der Batterie

---

Entsorgen der Batterie



- Ihre verschlossene Blei-Säure-Batterie muss recycelt oder umweltgerecht entsorgt werden.
- Entsorgen Sie Ihre Bleibatterie nicht in einem Feuer. Die Batterie kann explodieren oder auslaufen.
- Entsorgen Sie eine Blei-Säure-Batterie nicht im normalen Hausmüll. Das Verbrennen, Deponieren oder Vermischen von verschlossenen Blei-Säure-Batterien mit Hausmüll ist gesetzlich verboten.
- Geben Sie einen erschöpften Akku bei Ihrem örtlichen zugelassenen Blei-Säure-Batterie-Recyclingunternehmen ab, z. B. bei einem örtlichen Verkäufer von Autobatterien.
- Weitere Informationen zum umweltgerechten Recycling und zur Entsorgung von Blei-Säure-Batterien erhalten Sie bei Ihrer örtlichen Abfallbehörde.
- Der Akku darf nur von einem Erwachsenen geladen werden. Bitte laden Sie das Produkt vor der Verwendung auf!
- Das Spielzeug sollte nicht an zu hohe Stromstärken angeschlossen werden (mehr als die hier angegebene Menge), und es sollte nicht während des Ladens betrieben werden.
- Jeder wiederaufladbare Akku darf nur unter Aufsicht eines Erwachsenen geladen werden.
- Das Akkuladegerät muss regelmäßig auf Schäden an Kabeln, Steckern, Gehäuse und anderen Teilen geprüft werden, und bei Feststellung von Schäden muss die Verwendung beendet und das Gerät repariert werden.
- Öffnen Sie die Batterieabdeckung der Fernbedienung und setzen Sie zwei Batterien ein, achten Sie dabei auf die Polarität der Batterien. Ersetzen Sie die Batterieabdeckung und verriegeln Sie sie mit Schrauben (bitte ersetzen Sie die Batterien gemäß den oben genannten Schritten und lassen Sie sie von einem Erwachsenen einbauen).
- Alle Batterien sollten mit der richtigen Polarität eingelegt werden.
- Nicht wiederaufladbare Batterien sollten nicht geladen werden, bitte entfernen Sie alle auslaufenden Batterien aus dem Spielzeug.
- Verwenden Sie keine alten und neuen Batterien zusammen, oder vermischen Sie verschiedene Batteriearten.
- Die Akkuladegeräte, die mit dem Spielzeug verwendet werden, sind regelmäßig auf Schäden an Kabel, Stecker, Gehäuse und anderen Teilen zu überprüfen; im Falle eines solchen Schadens dürfen sie nicht verwendet werden, bis der Schaden behoben wurde.

Unsere Produkte sind geeignet für  
ASTM F963; GB6675, GB19865; EN71 und EN62115 Standard.



# AIYAPLAY

IT

## MOTO GIOCATTOLO ELETTRONICA PER BAMBINI

IN240200182V02\_UK\_FR\_ES\_PT\_DE\_IT

**370-319V70\_370-319V90**



- Adatto a bambini di 3+ anni
- Peso massimo utente: 30 kg
- Il montaggio deve essere effettuato da un adulto



## MANUALE DI ISTRUZIONI

**Leggere e comprendere interamente il manuale prima dell'uso!**

Si prega di conservare questo manuale per riferimenti futuri poiché contiene informazioni importanti.

Prima del primo utilizzo, caricare la batteria per almeno 8-12 ore, e non più di 20 ore.

# Contenuti

---

1. *Informazioni sulla vostra nuova moto*
2. *Elenco delle parti*
3. *Schema delle parti*
4. *Fasi di assemblaggio*
5. *Come utilizzare la moto*
6. *Ricarica della moto*
7. *Guida alla risoluzione dei problemi*
8. *Manutenzione della moto*
9. *Smaltimento della batteria*

## Informazioni sulla vostra nuova moto

---

Grazie per aver acquistato il nostro prodotto, vogliamo che vostro figlio possa godere di questo prodotto per anni a venire. Tenere a mente queste informazioni mentre si legge il manuale:

Età adatta:	3+ anni	Batteria:	DC 12 V 4,5 Ah x 1
Capacità di carico:	Meno di 30Kg	Dimensioni moto:	1070*460*750mm
Velocità:	3Km/h		
Material:	PP	Temperatura ottimale:	Sotto i 40°C Evitare l'uso sotto il sole cocente
Material:	Input: Indicato sul caricatore	Tempo di ricarica:	8-12 ore, al massimo 20 ore
	Output: DC 12V	Fuse:	F 7A, auto-reset
	Corrente: DC 0,5A	Ciclo di vita:	12 mesi a 18 mesi

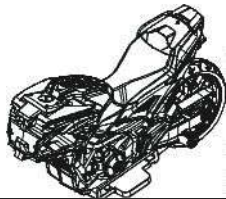
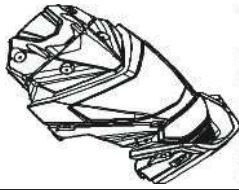
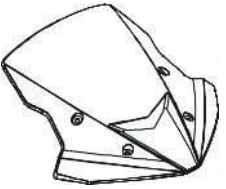
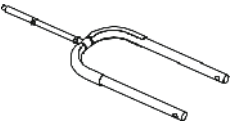
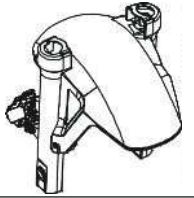
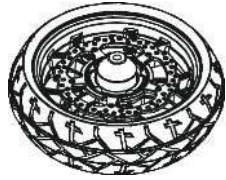
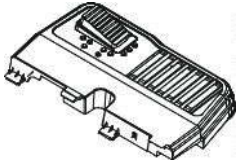
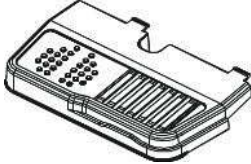

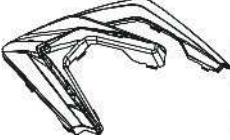
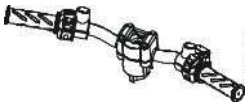


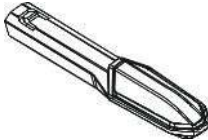
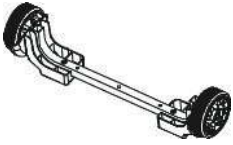
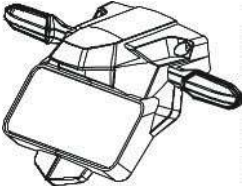


## **ATTENZIONE!**



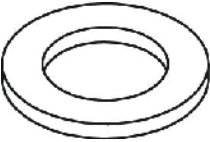

PER LA SICUREZZA DEL VOSTRO BAMBINO, LEGGERE TUTTE LE AVVERTENZE E ISTRUZIONI DI MONTAGGIO/USO. CONSERVARE QUESTA GUIDA PER RIFERIMENTI FUTURI.

- **IL MONTAGGIO DEVE ESSERE EFFETTUATO DA UN ADULTO.** Il prodotto contiene parti piccole destinate esclusivamente al montaggio da parte di adulti. Tenere lontani i bambini durante le fasi di montaggio.
- **Rimuovere sempre il materiale protettivo e i sacchetti di polietilene e smaltirli prima del montaggio.**

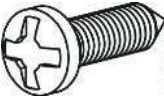
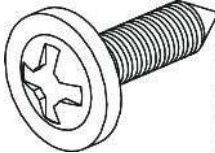
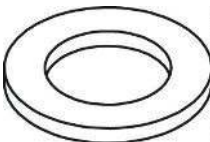

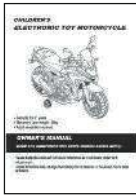
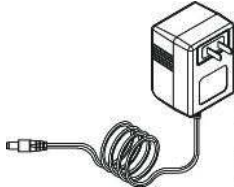
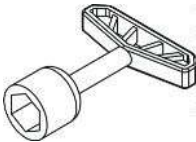
# Lista Parti

PARTE NO.	NOME PARTE	FIGURA	Qta' (pz)	NOTE	PARTE NO.	NOME PARTE	FIGURA	Qta' (pz)	NOTE
1	Carrozzeria		1		2	Testata moto		1	
3	Parabrezza		1		4	Forcella		1	
5	Parafango		1		6	Ruota anteriore		1	
7	Poggiapiedi A		1	Destro	8	Poggiapiedi B		1	Sinistro
9	Cover decorativa A		1 paio	Sinistra & destra	10	Cover decorativa B		1 paio	Sinistra & destra
11	Manubrio		1		12	Cover		1	
13	Specchietto retrovisore		1 paio	Sinistra & destra	14	Indicatori di direzione		2	
15	Rotelle		1		16	Targa		1	

# Lista Parti

PARTE NO.	NOME PARTE	FIGURA	Qta' (pz)	NOTE	PARTE NO.	NOME PARTE	FIGURA	Qta' (pz)	NOTE
17	Asse anteriore		1		18	Asse		1	
19	Rondella		4	Inserire nell'asse anteriore	20	Dado		2	Inserire nell'asse anteriore

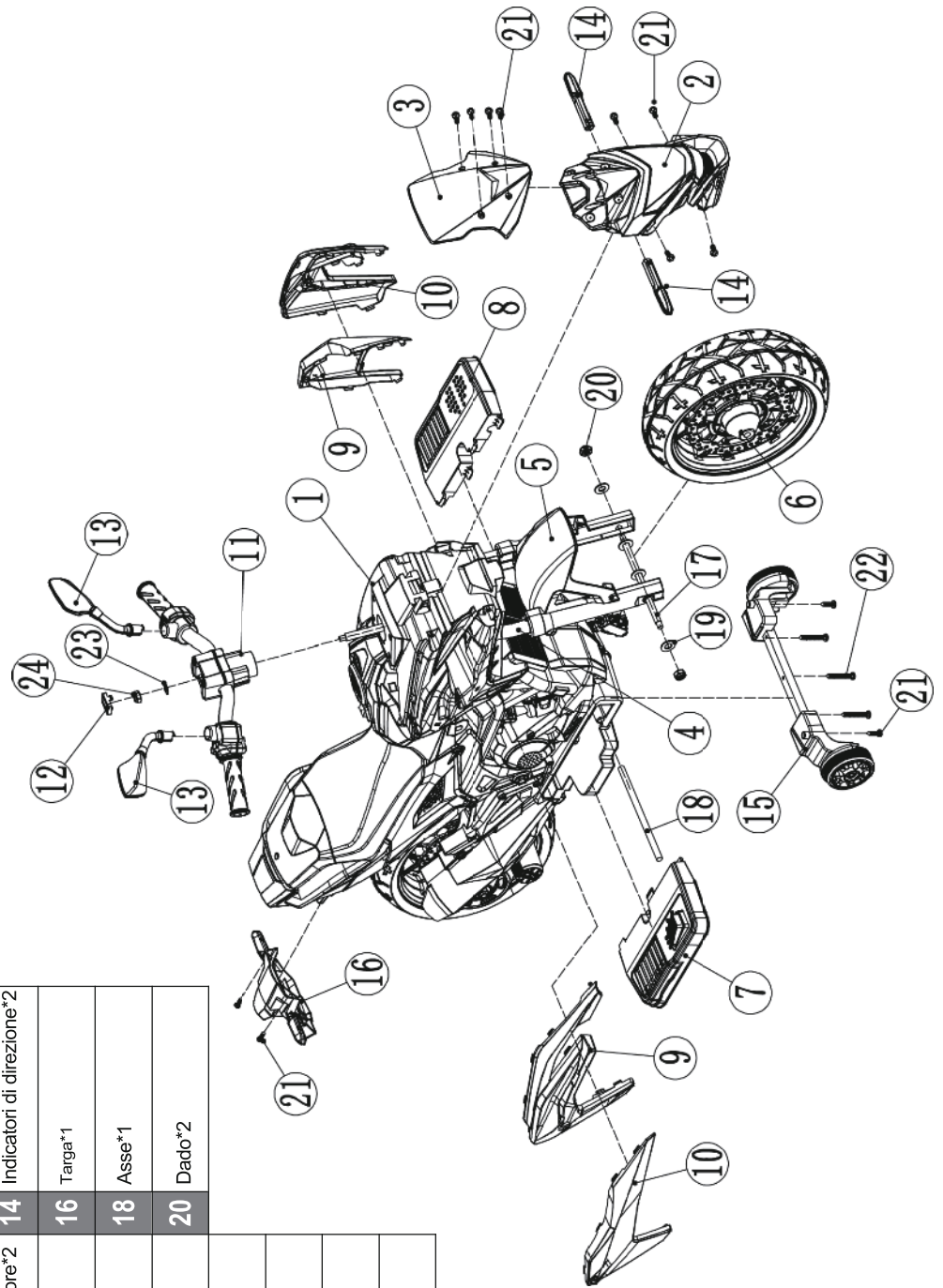
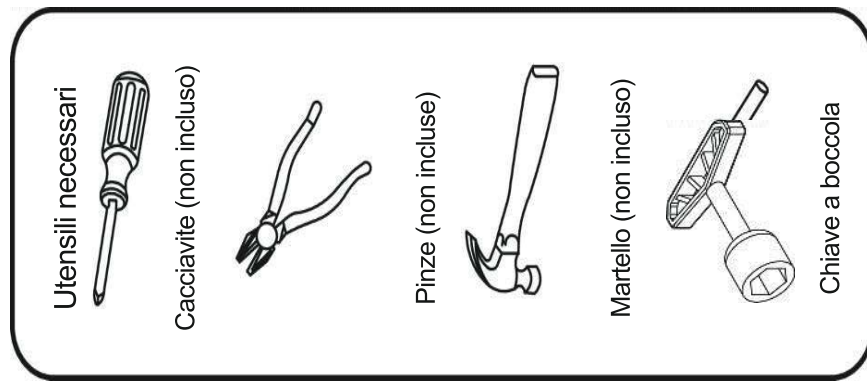
## Sacchetto Viteria

PARTE NO.	NOME PARTE	FIGURA	Qta' (pz)	NOTE	PARTE NO.	NOME PARTE	FIGURA	Qta' (pz)	NOTE
21	Vite		12		22	Vite M4X35		3	
23	Rondella		1		24	Dado		1	
25	Manuale di istruzioni		1		26	Caricatore		1	
27	Chiave copriruota		2		28				

# Diagramma delle parti

1	Carrozzeria*1	2	Cover della testata *1	3	Parabrezza*1
4	Forcella*1	5	Parafango*1	6	Ruota anteriore *1
7	Poggiapiedi A*1	8	Poggiapiedi B*1	9	Cover decorativa A*2
10	Cover decorativa B*2	11	Manubrio*1	12	Cover*1
13	Specchietto retrovisore*2	14	Indicatori di direzione*2		
15	Rotella *1	16	Targa*1		
17	Asse anteriore*1	18	Asse*1		
19	Rondella*4	20	Dado*2		
21	Vite*12				
22	ViteM4x25*3				
23	Rondella*1				
24	Dado*1				

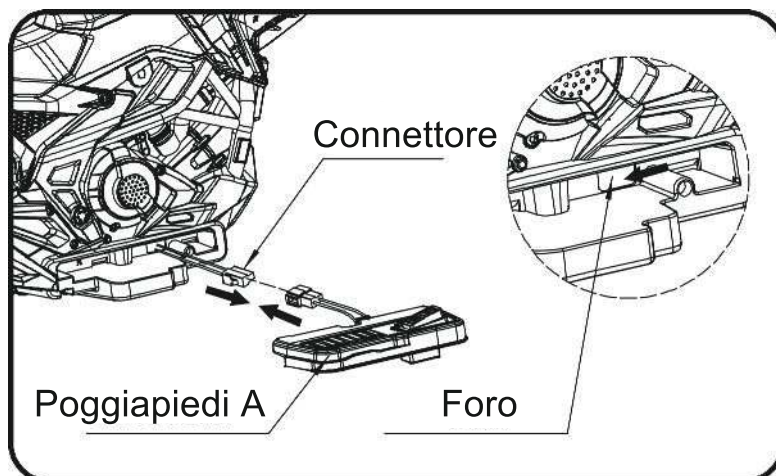
**AVVISO:** Alcune parti mostrate sono assemblate su entrambi i lati del veicolo



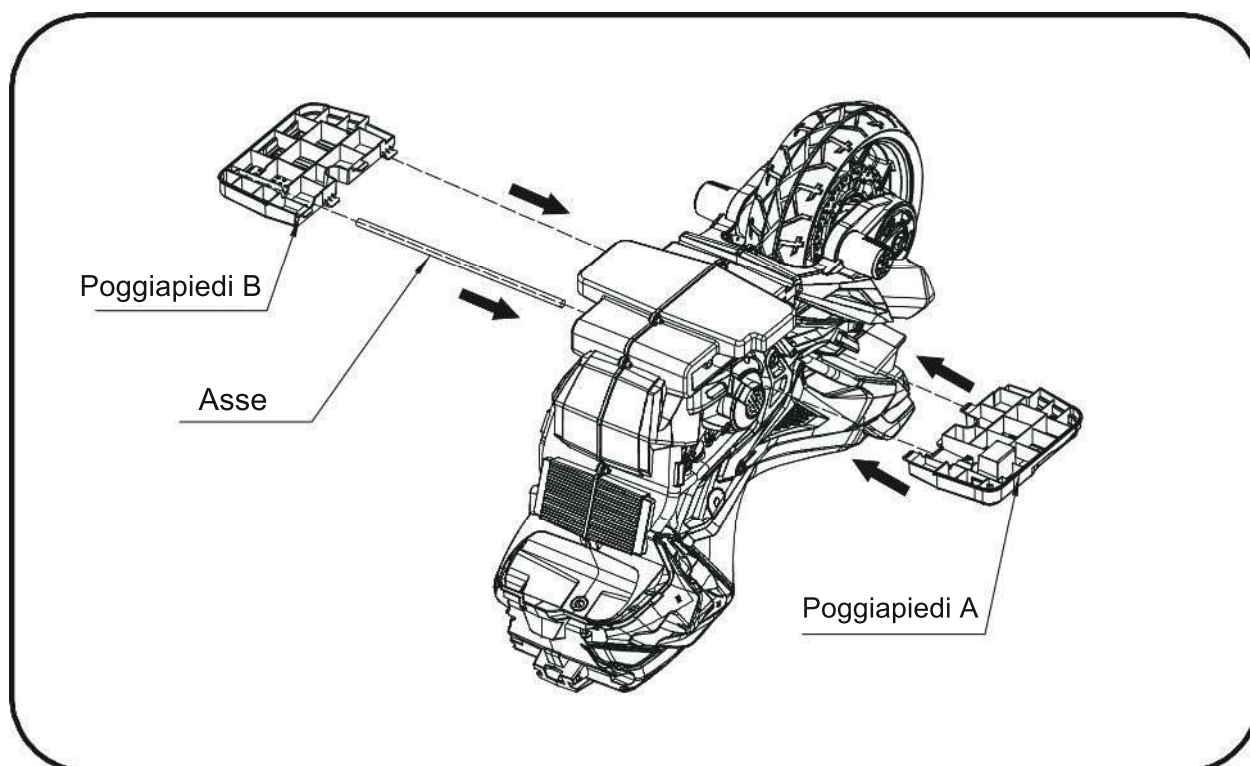


# Step di assemblaggio

## 1. Installazione del poggiapiedi.



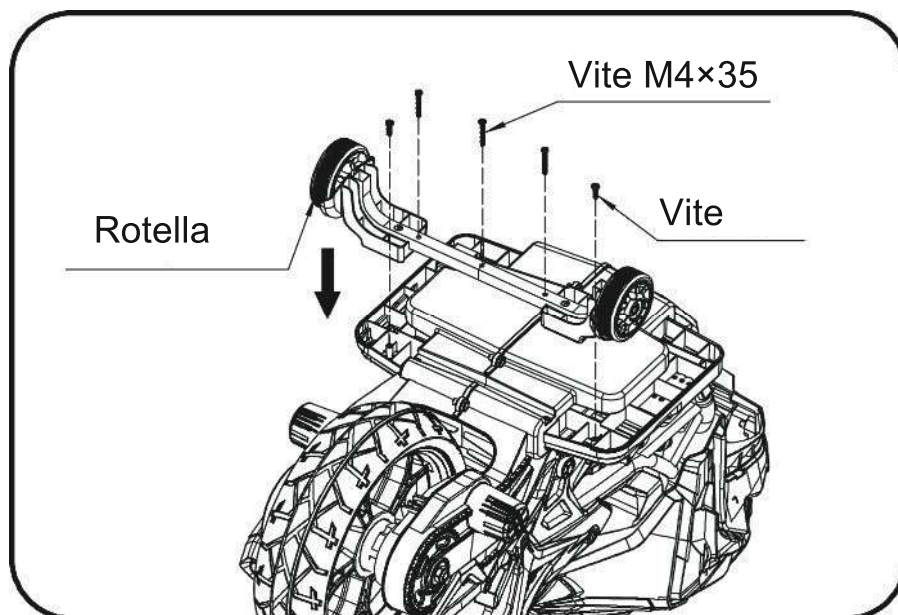
- Come mostrato in figura, premere il pulsante del connettore e inserirla nel foro.



- Come mostrato in figura, inserire l'asse attraverso la carrozzeria.
- Come mostrato in figura, spingere i due poggiapiedi in direzione della freccia e assicurarsi che siano inseriti in posizione corretta.

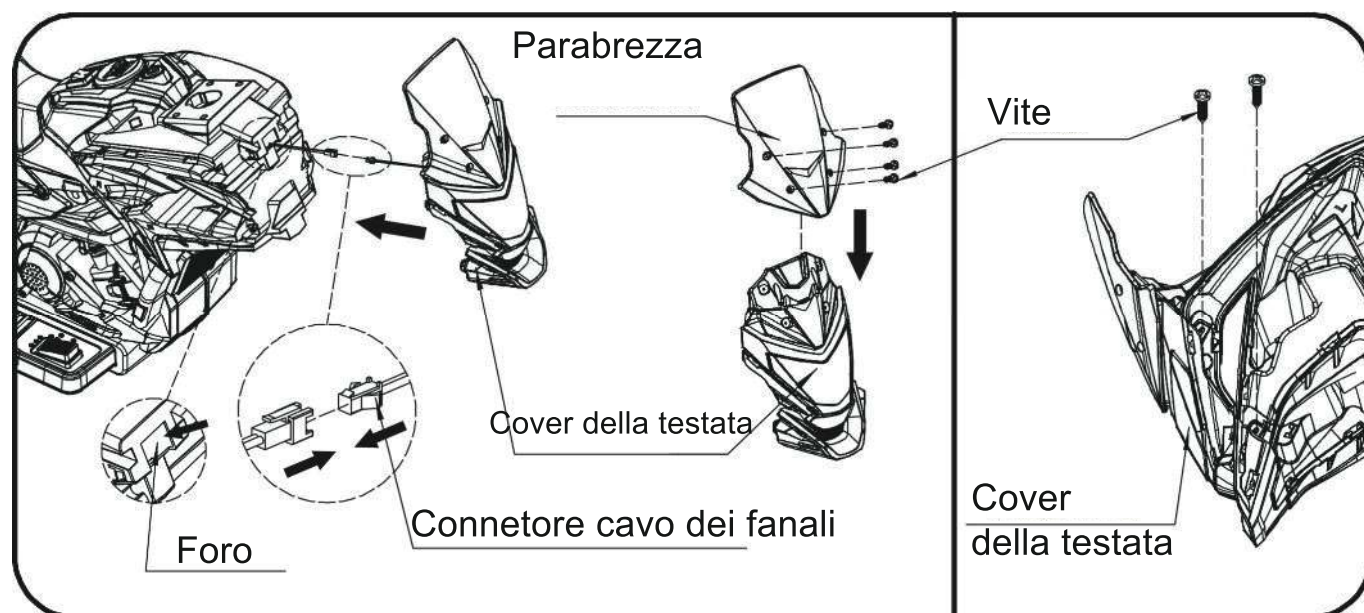
# Step di assemblaggio

## 2. Installazione delle rotelle.



- Come mostrato in figura, capovolgere la carrozzeria, installare le rotelle nella posizione preposta e fissarle con le viti.

## 3. Installare la cover della testata.

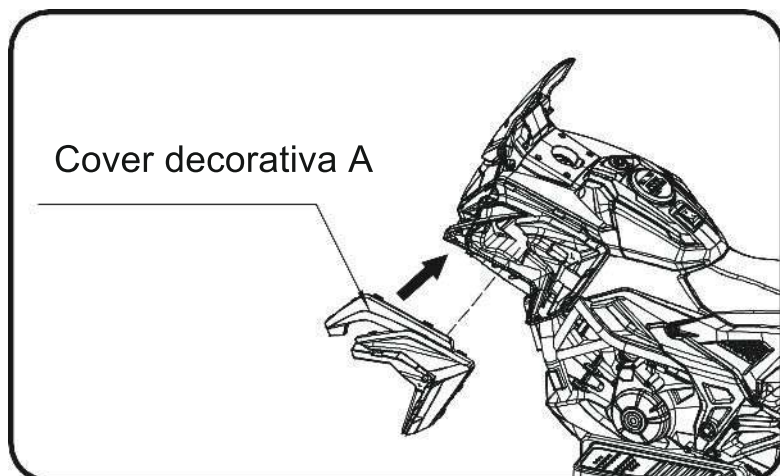


- Come mostrato in figura, installare il parabrezza nella posizione preposta e fissarlo con le viti.
- Collegare il connettore del cavo dei fanali e inserirlo nel foro.
- Come mostrato in figura, installare la cover della testata nella posizione preposta e fissarlo con le viti.

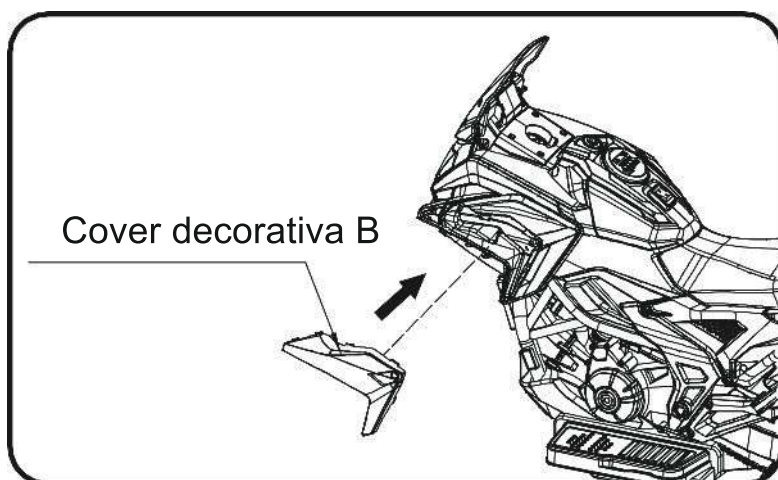
# Step di assemblaggio

---

## 4. Installazione della cover decorativa.

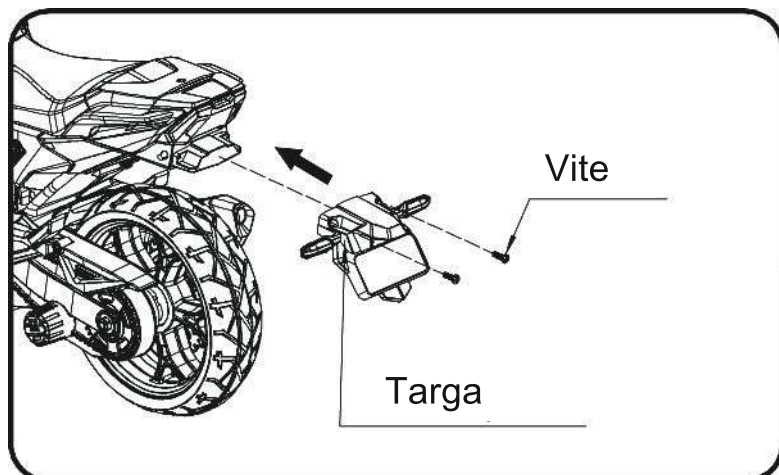


- Come mostrato in figura, installare la cover decorativa A nella posizione preposta.



- Come mostrato in figura, installare la cover decorativa B nella posizione preposta.

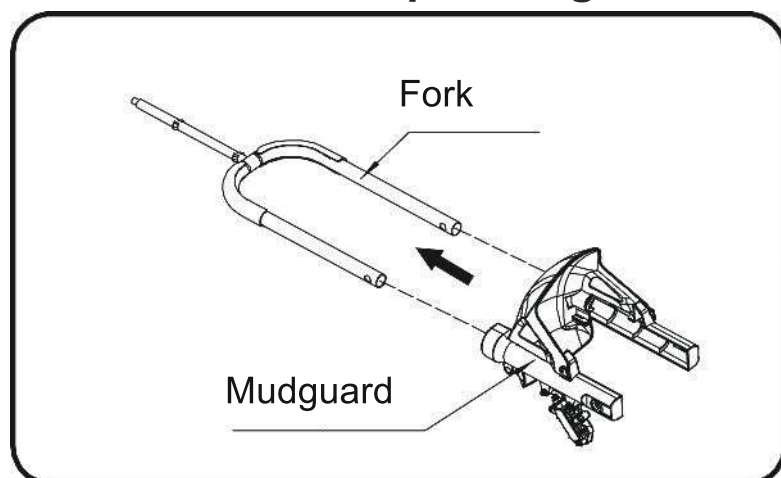
## 5. Installazione della targa.



- Come mostrato in figura, installare la targa nella posizione preposta e fissarla con le viti.

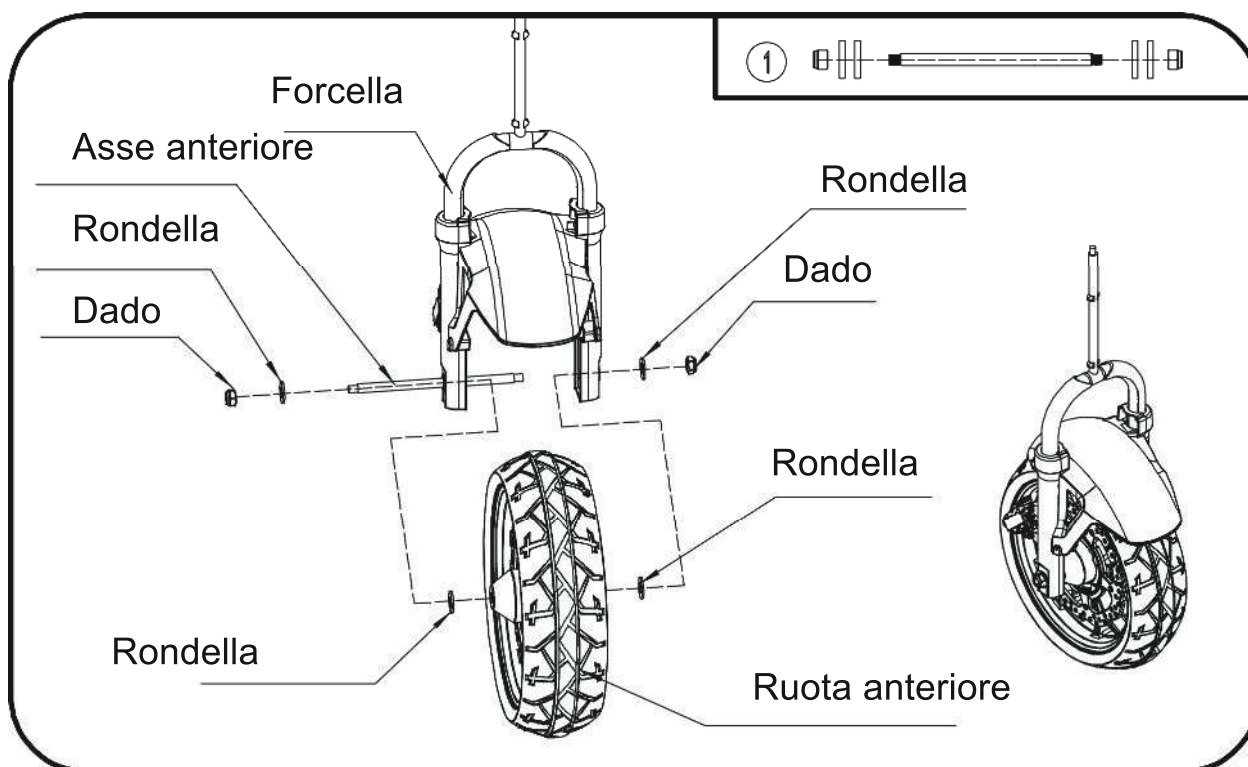
# Step di assemblaggio

## 6. Installazione del parafrango.



- Come mostrato in figura, installare il parafrango nella posizione preposta.

## 7. Installazione della ruota anteriore.



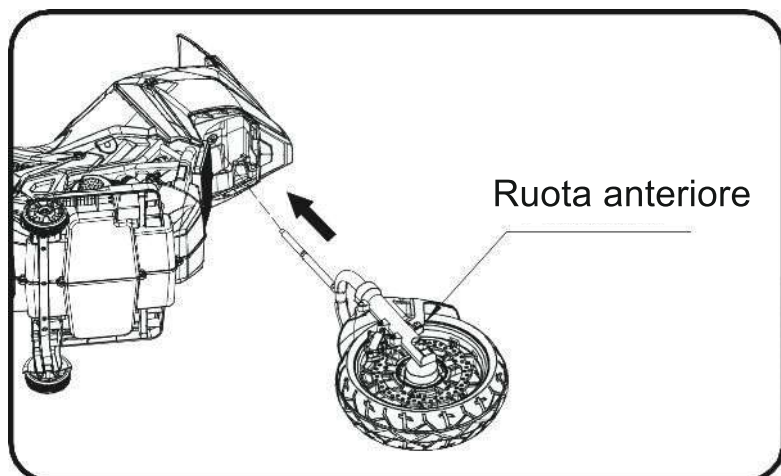
- Come mostrato in Figura 1, scollegare le parti dell'asse anteriore.
- Come mostrato in figura, inserire l'asse anteriore attraverso la forcella, quindi installare in sequenza la rondella, la ruota anteriore e un'altra rondella.
- Quindi inserirlo attraverso la forcella, installare le rondelle su entrambi i lati e fissarle con i dadi.



## Step di assemblaggio

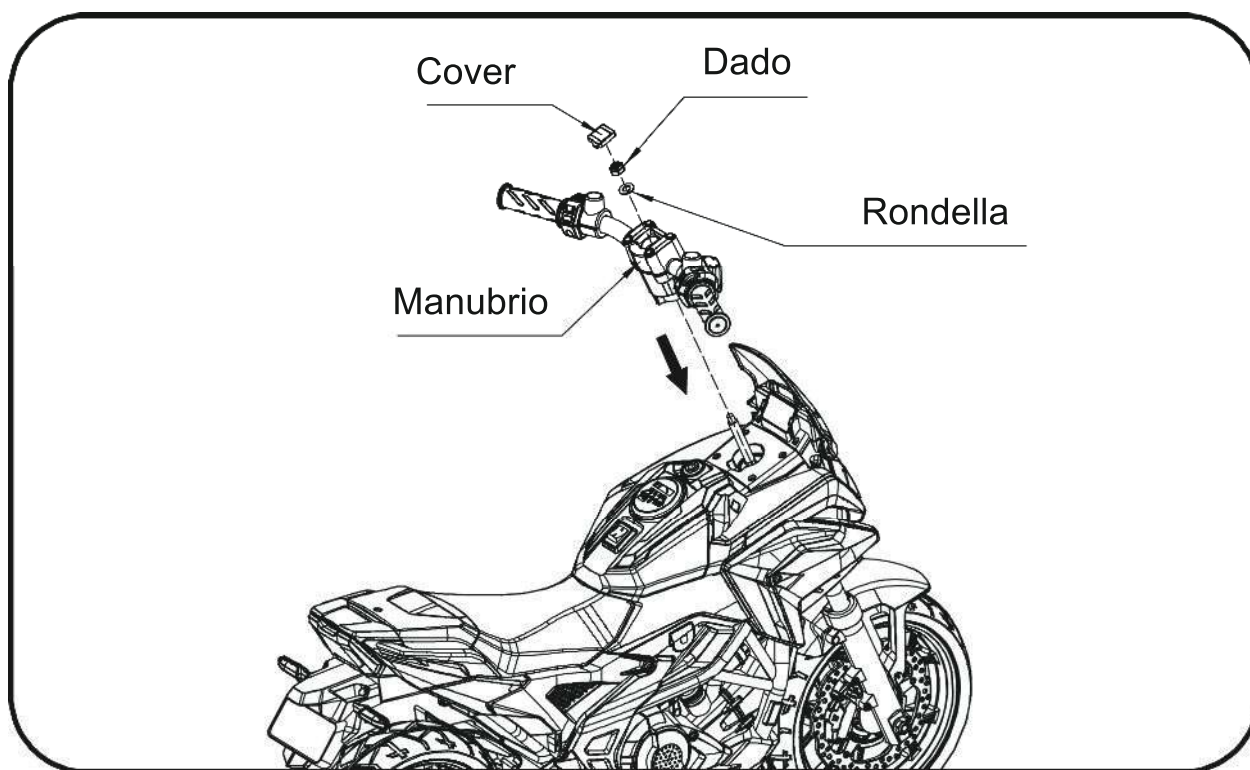
---

### 8. Installare la ruota anteriore.



- Come mostrato in figura, fissare la ruota anteriore nella carrozzeria del veicolo.

### 9. Installazione del manubrio.



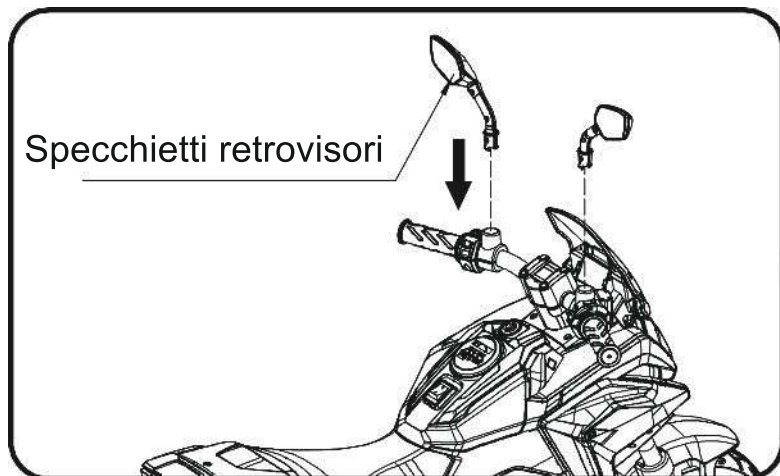
- Come mostrato in figura, installare il manubrio nella posizione preposta e fissarlo con dado, rondella e cover.



## Step di assemblaggio

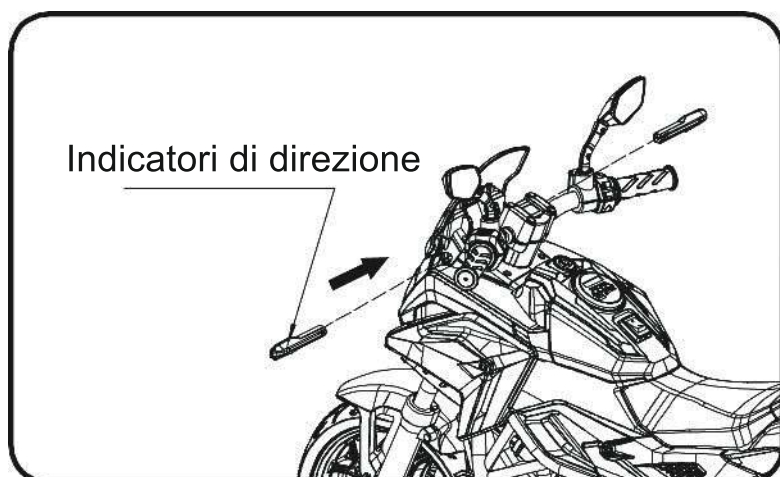
---

### 10. Installazione dei specchietti retrovisori.



- Come mostrato in figura, spingere lo specchietto retrovisore verso il basso per fissarlo in posizione.

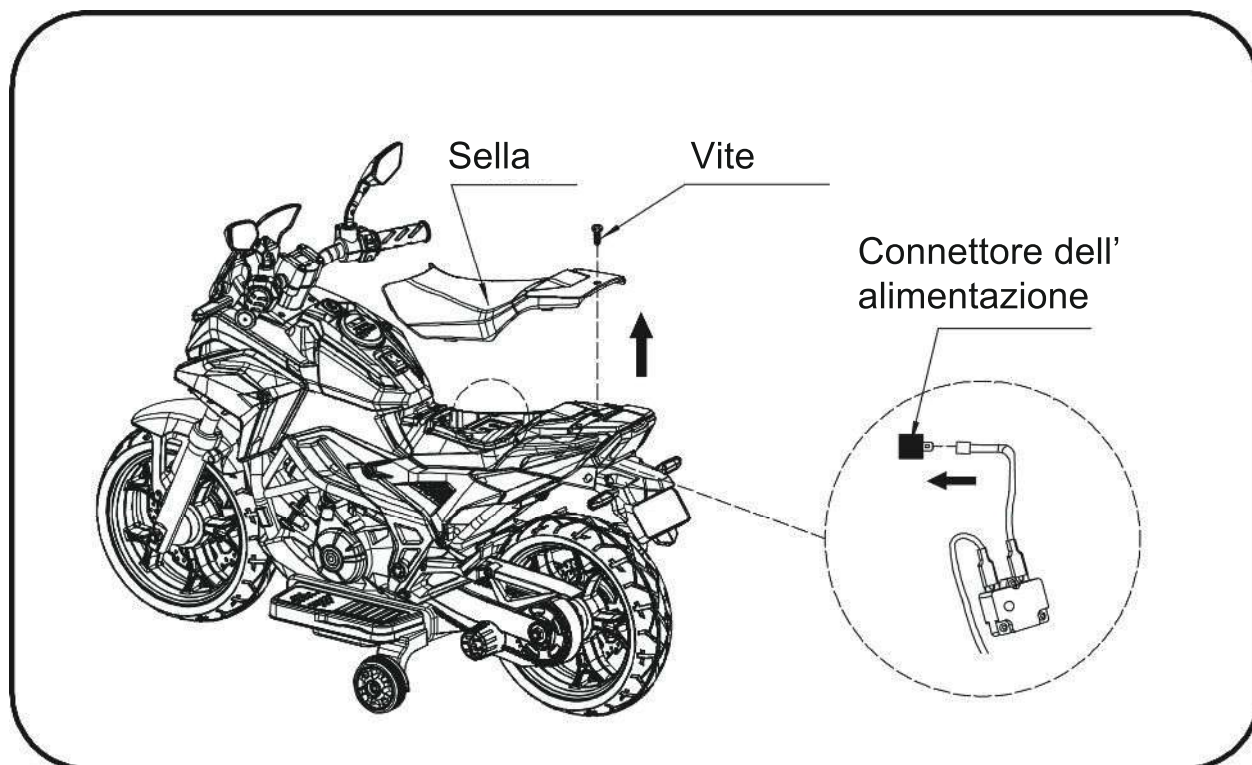
### 11. Installazione degli indicatori direzionali.



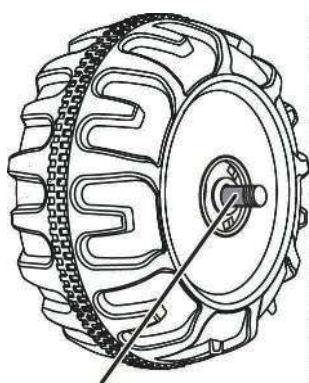
- Come mostrato in figura, spingere i due indicatori di direzione secondo la direzione della freccia e assicurarsi di inserirli in posizione.

# Step di assemblaggio

## 12. Connessione dell'alimentazione.



- Come mostrato in figura, svitare la vite e aprire la sella.
- Collegare il connettore di alimentazione al terminale della batteria come mostrato.
- Quindi, installare la sella nella posizione preposta e fissarlo con la vite.



SPAZIO

### IMPORTANTE SUPPLEMENTO AL MANUALE DI ISTRUZIONI

Dopo aver montato una ruota sugli assi, controllare lo spazio tra la filettatura della vite e il collassabile (fare riferimento alla figura sotto), se lo spazio è troppo grande, aggiungere due o tre rondelle alla ruota, e solo dopo aver stretto il dado all'esterno ruota, far girare con il dito per verificare se la ruota può girare senza intoppi, questo è molto importante, perché se la ruota può girare senza intoppi, lo spazio è corretto, ma se il dado preme contro la ruota e essa non è libera di girare, il motore si romperà facilmente! In quel caso sarà necessario diminuire lo spazio di una o due rondelle per assicurarsi che la ruota possa girare senza intoppi!

# Come utilizzare la moto

---

## **AVVERTENZA!**

### **PREVENIRE FERITE E LESIONI MORTALI:**

- **NON LASCIARE MAI IL BAMBINO INCUSTODITO. È NECESSARIA LA SUPERVISIONE DIRETTA DEGLI ADULTI.** Tenere sempre il bambino in vista quando è all'interno del veicolo.
- Non utilizzare mai su strade, vicino ad automobili, su o vicino a pendenze o gradini ripidi, piscine o altri corpi d'acqua.

Indossare sempre le scarpe.

- Sedersi sempre sulla sella.
- Adatto ai bambini dai 3+ anni in su; Il peso massimo consentito è di 30 kg.
- Da non utilizzare nel traffico.

Prima dell'uso, è necessario confermare che questi passi siano stati completati:

- **Importante!** Prima di utilizzare il veicolo per la prima volta, la batteria deve essere caricata per 8-12 ore, e per non più di 20 ore. La batteria può essere caricata o ricaricata solo da un adulto.
- Completamento dell'assemblaggio della moto secondo i passaggi descritti nel manuale. La batteria rimovibile è già stata inserita correttamente e l'alimentazione è già stata collegata.
- Tutti i punti in cui sono necessarie le viti sono già stati bloccati in posizione.

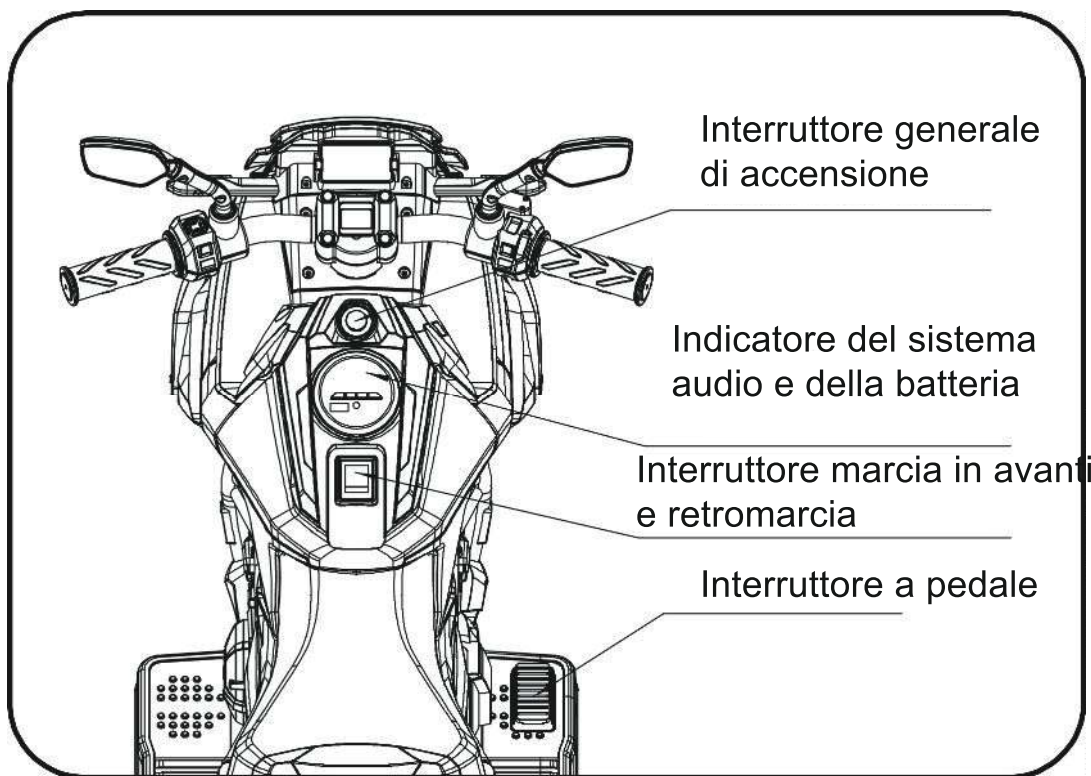
Regole per la guida sicura

**LEGGERE AD ALTA VOCE QUESTE REGOLE AL VOSTRO BAMBINO E AI SUOI COMPAGNI DI GIOCO E ACCERTARSI CHE LE CAPISCANO!**

- Questo giocattolo non è dotato di freni. Indossa sempre un casco e indumenti protettivi durante la guida.
- È richiesta la supervisione diretta di un adulto.
- Tenere i bambini in aree di guida sicure:
- Non utilizzare mai su carreggiate, vicino a veicoli a motore, su prati, su o vicino a pendenze o gradini ripidi, piscine o altri specchi d'acqua.
- Utilizzare il giocattolo solo su superfici piane, come l'interno della vostra abitazione, in giardino o al parco giochi.
- Non utilizzare mai al buio. Un bambino potrebbe incontrare ostacoli imprevisti e avere un incidente. Utilizzare il veicolo solo di giorno o in un'area ben illuminata.
- Si sconsiglia di guidare il veicolo su superfici bagnate o su pendenze superiori a 15 gradi.
- Non utilizzare questo veicolo all'aperto quando piove o nevicata.
- Assicurarsi di fermarsi completamente prima di cambiare direzione da marcia in avanti a retromarcia.
- Si prega di rispettare i limiti di peso ed età consentiti per guidare questo veicolo.
- È vietato modificare il circuito elettrico o aggiungere altre parti al veicolo.
- Ispezionare periodicamente cavi e collegamenti del veicolo.
- Per evitare incidenti, assicurarsi che il veicolo sia sicuro prima di mettersi alla guida.
- Non permettere ai bambini di toccare le ruote o di avvicinarsi ad esse quando la moto è in movimento.

# Come utilizzare la vostra moto

## Funzionamento



### **IMPORTANTE!**

Arrestare sempre il veicolo quando si cambia velocità o direzione per evitare danni alla scatola del cambio e al motore.

(1) Attivare prima l'interruttore generale di accensione, è quindi possibile riprodurre la musica.

(2) Marcia in avanti

Premere l'interruttore " Marcia in avanti e retromarcia" nella posizione "Avanti".

Premere il pedale.

Il veicolo avanzerà.

(3) Stop

Togliere il piede dal pedale dell'acceleratore per arrestare la moto.

(4) Retromarcia

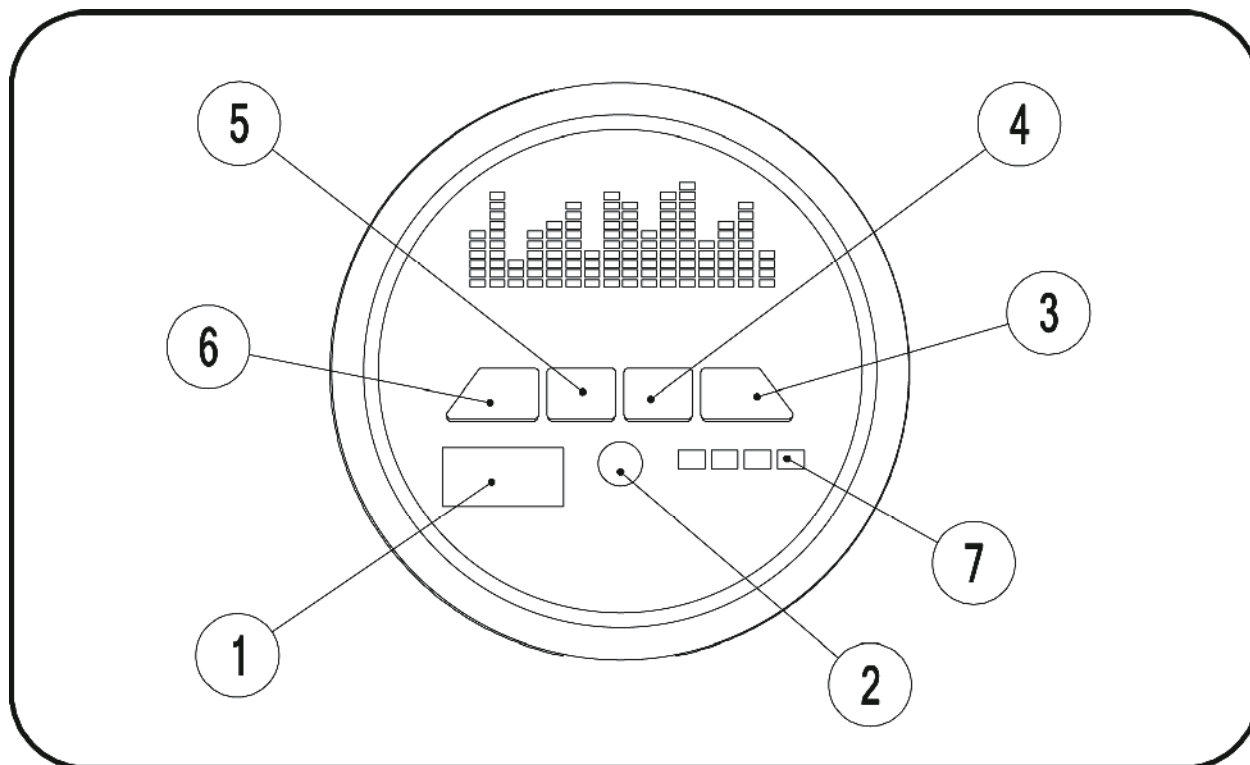
Premere l'interruttore "Marcia in avanti e retromarcia" nella posizione "Retromarcia".

Premere il pedale.

Il veicolo procederà in retromarcia.

# Come utilizzare la vostra moto

## (5) Come utilizzare il sistema audio e l'indicatore della batteria



- 1. Slot del dispositivo di archiviazione dati.
- 2. Porta AUX
- 3. Pulsante modalità: passa dalla modalità di riproduzione musicale e la modalità di connessione smart.

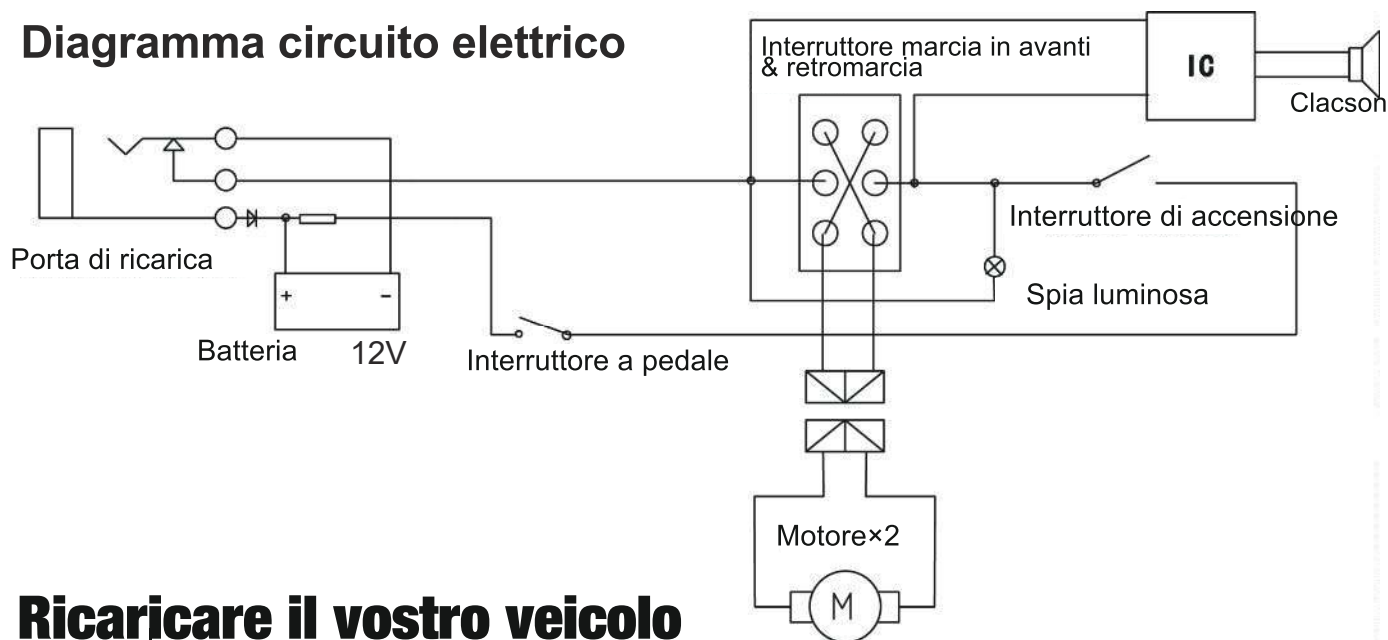
Nota: è possibile rilevare e connettere il veicolo tramite il cellulare in modalità di connessione smart, per riprodurre la sorgente audio dal cellulare.

- 4. Diminuzione volume/Ultimo brano: cambio brano.
- 5. Aumento volume/Brano successivo: cambio brano.
- 6. Pulsante clacson
- 7. Display batteria: mostra il livello di carica della batteria.



# Come utilizzare la vostra moto

## Diagramma circuito elettrico



## Ricaricare il vostro veicolo

### SOLO UN ADULTO PUÒ CARICARE E RICARICARE LA BATTERIA!

- non ricaricare le batterie non ricaricabili;
- non mischiare tipi diversi di batterie o batterie nuove e usate;
- le batterie devono essere inserite rispettando la polarità;
- le batterie scariche devono essere rimosse dalla moto giocattolo;
- i terminali di alimentazione non devono essere cortocircuitati.
- le batterie ricaricabili devono essere caricate solo sotto la supervisione di un adulto;
- le batterie ricaricabili devono essere rimosse dal giocattolo prima di essere caricate;
- i trasformatori o il caricatore utilizzati con il giocattolo devono essere regolarmente esaminati per rilevare eventuali danni al cavo, alla spina, alla custodia e ad altre parti e, in caso fossero danneggiati, non devono essere utilizzati finché non sono stati riparati.

## **AVVERTENZA!**

### • PREVENIRE INCENDI E SCOSSE ELETTRICHE:

- Utilizzare esclusivamente la batteria ricaricabile e il caricatore forniti con il veicolo. Non sostituire MAI la batteria o il caricatore con quelli di un'altra marca. L'utilizzo di un'altra batteria o caricatore potrebbe provocare un incendio o un'esplosione.
- Non utilizzare la batteria o il caricatore per nessun altro prodotto. Potrebbe comportare surriscaldamenti, incendi o esplosioni.
- Non modificare MAI il circuito elettrico. La manomissione del circuito elettrico può provocare scosse, incendi, esplosioni o danneggiare permanentemente l'impianto elettrico.
- Non consentire il contatto diretto tra i terminali della batteria. Potrebbe comportare incendi o esplosioni.
- Non lasciare che alcun tipo di liquido venga a contatto con la batteria o i suoi componenti.

## Caricare il vostro veicolo

### **AVVERTENZA!**

**•PREVENIRE INCENDI E SCOSSE ELETTRICHE:**

- Durante la ricarica si genereranno gas esplosivi. Non ricaricare vicino a fonti di calore o materiali infiammabili. Ricaricare la batteria SOLO in un'area ben ventilata.

- Non afferrare MAI la batteria dai cavi o dal caricatore. La batteria potrebbe subire danni e potreste provocare un incendio. Afferrare la batteria SOLO dalla custodia.

- Ricaricare la batteria SOLO in un'area asciutta.

• I poli, i terminali e i relativi accessori della batteria contengono piombo e composti di piombo, sostanze chimiche note allo Stato della California come causa di cancro e danni all'apparato riproduttivo. Lavarsi le mani dopo la manipolazione della batteria.

• Non aprire la batteria. La batteria contiene acido al piombo e altri materiali tossici e corrosivi.

• Non aprire il caricatore. I cavi e i circuiti esposti all'interno della custodia possono provocare scosse elettriche.

Solo gli adulti possono maneggiare o ricaricare la batteria. Non permettere MAI ai bambini di maneggiare o ricaricare la batteria.

La batteria è pesante e contiene acido di piombo (elettrolita).

• Non far cadere la batteria. Potrebbero verificarsi danni permanenti alla batteria o causare gravi lesioni personali.

• Prima di ricaricare la batteria, verificare eventuali segni di usura o danni alla batteria, al caricatore, al cavo di alimentazione e ai connettori. NON ricaricare la batteria qualsiasi parte e' danneggiata.

• Non lasciare che la batteria si scarichi completamente. Ricaricare la batteria dopo ogni utilizzo o una volta al mese se non utilizzata regolarmente.

• Non ricaricare la batteria capovolta.

• Fissare sempre la batteria al supporto. La batteria può cadere e ferire un bambino se il veicolo si ribalta.

• E' consigliata la supervisione dei bambini piccoli da parte di un adulto.

• Il giocattolo deve essere utilizzato con cautela poiché è necessaria abilità per evitare cadute o collisioni che possano causare lesioni personali al conducente o a terzi.

• La porta di ingresso per la ricarica e' situata SOTTO IL SEDILE.

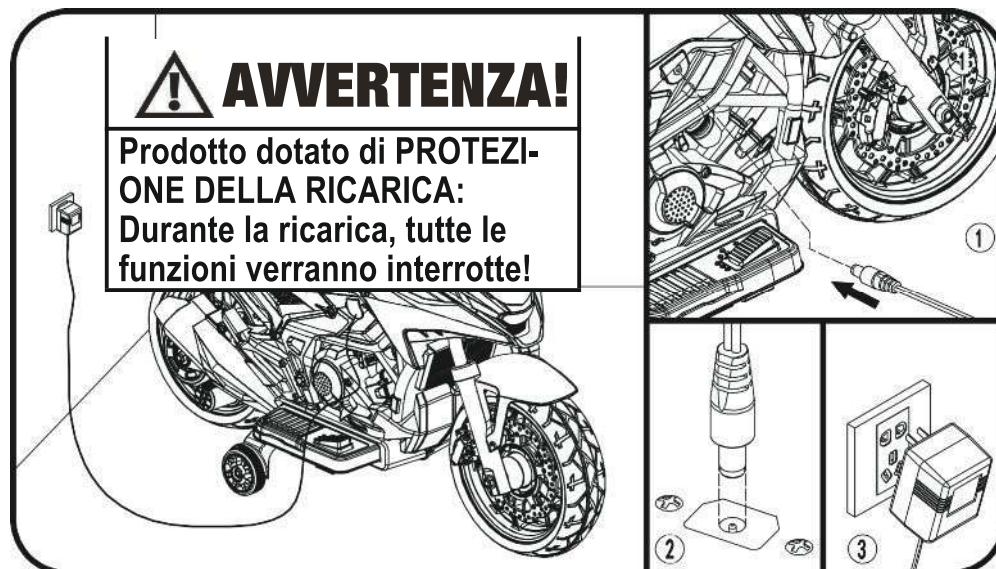
• L'INTERRUTTORE DI ACCENSIONE deve essere portato in posizione OFF durante la ricarica.

• Prima del primo utilizzo, caricare la batteria per 8-12 ore. Non ricaricare la batteria per più di 20 ore per evitare di surriscaldare il caricatore.

• Quando il veicolo inizia a funzionare lentamente, ricaricare la batteria.

• Dopo ogni utilizzo o una volta al mese, il tempo di ricarica minimo è compreso tra 8 e 12 ore, e più di 20 ore.

# Caricare il vostro veicolo



1. Individuare la porta di ingresso della ricarica sotto il sedile;
2. Collegare il connettore del caricatore alla presa di ingresso;
3. Collegare il connettore del caricatore a una presa a muro. La batteria inizierà a caricarsi.

# Guida alla risoluzione dei problemi

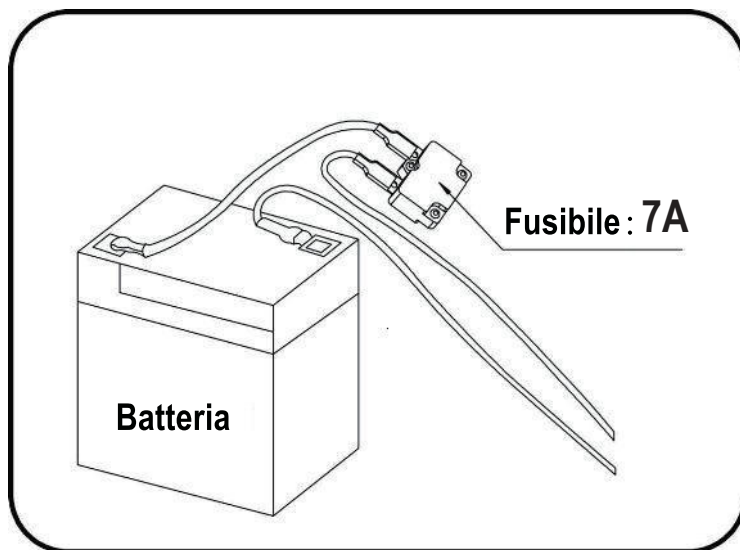
## **PROBLEMA: Il veicolo non funziona**

**CAUSA DEL PROBLEMA:** La batteria potrebbe essere scarica.

Dopo ogni utilizzo, o almeno una volta al mese, caricare la batteria per 8-12 ore. Non lasciare la batteria nel caricatore per più di 20 ore.

**POSSIBILE CAUSA:** Il fusibile termico è scattato.

Il veicolo è dotato di fusibile auto-ripristinante. Quando il veicolo è sovraccarico o utilizzato in modo errato; il fusibile auto-ripristinante interromperà il funzionamento del veicolo per 5-20 secondi prima di diventare nuovamente operativo. Il fusibile auto-ripristinante si trova sotto il sedile (come mostrato in figura).



Per evitare che il fusibile interrompa l'alimentazione, seguire queste linee guida:

**NON** sovraccaricare il veicolo, peso massimo consentito: 30 kg

**NON** trainare nulla dietro il veicolo.

**NON** guidare su pendii ripidi.

**NON** guidare contro oggetti fissati a terra, che potrebbero causare lo slittamento delle ruote, provocando il surriscaldamento del motore.

**NON** guidare in climi molto caldi, i componenti potrebbero surriscaldarsi.

**NON** manomettere l'impianto elettrico, ciò potrebbe creare un cortocircuito, facendo scattare il fusibile

**POSSIBILE CAUSA:** i dadi delle ruote sono allentati.

Se i dadi non sono stretti, le ruote non innesteranno la marcia in avanti. Stringere il dado con la chiave apposita

**POSSIBILE CAUSA:** Il connettore o i cavi della batteria sono allentati.

Assicurarsi che i connettori della batteria siano saldamente collegati tra loro.

**POSSIBILE CAUSA:** La batteria è scarica.

E' stata effettuata la corretta manutenzione della batteria secondo le istruzioni? La batteria è vecchia? Potrebbe essere necessario sostituire la batteria.

**POSSIBILE CAUSA:** L'impianto elettrico è danneggiato.

L'acqua potrebbe aver corrosato l'impianto oppure sporco, ghiaia o sabbia potrebbero aver bloccato l'interruttore.

**POSSIBILE CAUSA:** Il motore è danneggiato.

Il motore necessita di una riparazione presso un professionista.

## **PROBLEMA: la batteria non si ricarica.**

**POSSIBILE CAUSA:** Il connettore della batteria o il connettore dell'adattatore sono allentati.

Assicurarsi che il connettore della batteria e il connettore dell'adattatore siano saldamente collegati insieme.

## Guida alla risoluzione dei problemi

---

**POSSIBILE CAUSA:** Il caricatore non è collegato.

Assicurarsi che il caricatore sia collegato alla presa di corrente a muro e che il flusso di corrente verso la presa sia attivo.

**POSSIBILE CAUSA:** Il caricatore non funziona.

Il caricatore si scalda durante la ricarica? In caso contrario, il caricatore potrebbe essere rotto e potrebbe essere necessario sostituirlo.

Guida alla risoluzione dei problemi

**PROBLEMA: il veicolo non funziona a lungo.**

**POSSIBILE CAUSA:** La batteria potrebbe essere scarica.

La batteria potrebbe non essere stata caricata abbastanza a lungo. Dopo ogni utilizzo, o almeno una volta al mese, caricare la batteria per 8-12 ore. Non lasciare la batteria sul caricatore per più di 20 ore.

**POSSIBILE CAUSA: La batteria è vecchia.**

La batteria col tempo perderà la capacità di trattenere la carica. A seconda della quantità di utilizzo e delle condizioni variabili, la batteria dovrebbe funzionare da uno a tre anni. Sostituire la batteria con una nuova.

**PROBLEMA: la batteria ronza o emette suoni durante la ricarica.**

Ciò è normale e non è motivo di preoccupazione. Potrebbe anche essere silenziosa durante la ricarica, il che è normale.

**PROBLEMA: il caricatore si scalda durante la ricarica della batteria.**

Ciò è normale e non è motivo di preoccupazione.

## Manutenzione della moto

---

- È responsabilità dei genitori controllare le parti principali del giocattolo prima dell'uso. Esaminare regolarmente eventuali rischi potenziali, come lo stato di batteria, caricatore, cavo, spina, viti che fissano la custodia di altre parti e che, in caso di ciò, danni, il giocattolo non deve essere utilizzato finché il danno non sia stato adeguatamente rimosso.
- Assicurarsi che le parti in plastica del veicolo non siano incrinare o rotte.
- Utilizzare occasionalmente un olio leggero per lubrificare le parti mobili come le ruote.
- Parcheggiare il veicolo al coperto o coprirlo con un telo per proteggerlo dalla pioggia.
- Tenere il veicolo lontano da fonti di calore, come stufe e caloriferi. Le parti in plastica potrebbero sciogliersi.
- Ricaricare la batteria dopo ogni utilizzo. La batteria può essere maneggiata solo da un adulto. Ricaricare la batteria almeno una volta al mese quando il veicolo non viene utilizzato a lungo.
- Non lavare il veicolo con una canna dell'acqua. Non lavare il veicolo con acqua e sapone. Non guidare il veicolo in caso di pioggia o neve. L'acqua danneggerà il motore, l'impianto elettrico e la batteria.



## **Manutenzione della moto**

---

- Pulire il veicolo con un panno morbido e asciutto. Per ridare brillantezza alle parti in plastica, utilizzare un lucidante per mobili senza cera. Non utilizzare cera per auto. Non utilizzare detergenti abrasivi.
- Non guidare il veicolo su terreni sciolti, sabbia o ghiaia fine che potrebbero danneggiare le parti mobili, i motori o l'impianto elettrico.
- Quando non in uso, tutte le fonti di alimentazione elettrica devono essere spente. Spegnerre l'interruttore di alimentazione e scollegare il connettore della batteria.

# Smaltimento della batteria

---

Smaltimento della batteria



- La batteria al piombo sigillata deve essere riciclata o smaltita in modo rispettoso dell'ambiente e della salute umana.
- Non smaltire la batteria al piombo nel fuoco. La batteria potrebbe esplodere o perdere liquido.
- Non smaltire la batteria al piombo insieme ai normali rifiuti domestici. E' vietato lo smaltimento in discarica o la miscelazione delle batterie al piombo sigillate con i rifiuti domestici.
- Restituire una batteria esaurita al centro di riciclaggio locale approvato per la raccolta di batterie al piombo-acido, ad esempio il rivenditore locale di batterie per autoveicoli.
- Contattare i funzionari locali per ottenere informazioni sulla gestione dei rifiuti per altre informazioni riguardanti il riciclaggio e smaltimento ecologicamente corretto delle batterie al piombo-acido.
- La batteria deve essere caricata solo da un adulto. Caricare il prodotto prima dell'uso!
- Il giocattolo non deve essere collegato a potenze elettriche eccessive (superiori a quanto specificato nel manuale), e non deve essere acceso durante il processo di ricarica.
- Qualsiasi batteria ricaricabile deve essere caricata solo sotto la supervisione di un adulto.
- Controllare regolarmente i cavi e le spine del caricatore, nonché l'involucro e altre parti per rilevare eventuali danni. Interrompere l'uso e riparare.
- Aprire il coperchio della batteria sul telecomando e inserire due batterie, facendo attenzione alla polarità corretta. Riposizionare il coperchio della batteria e bloccarlo con le viti (sostituire la batteria secondo i passaggi precedenti, operazione eseguita da un adulto).
- Tutte le batterie devono essere inserite secondo la polarità corretta.
- Le batterie non ricaricabili non devono essere caricate. Rimuovere eventuali batterie scariche dal giocattolo.
- Non utilizzare batterie vecchie e nuove insieme, né mischiare tipi diversi di batterie.
- Il caricatore utilizzato con il giocattolo deve essere regolarmente esaminato per rilevare eventuali danni al cavo, alla spina, alla custodia e ad altre parti e, in caso di tali danni, non deve essere utilizzato finché il danno non è stato riparato.

In nostri prodotti rispettano gli standard  
ASTM F963; GB6675,GB19865; EN71 e EN62115.

**UK**

If you have any questions, please contact our customer care centre.

Our contact details are below:



0044-800-240-4004



enquiries@mhstar.co.uk

IMPORTER ADDRESS:

MH STAR UK LTD  
Unit 27, Perivale Park,  
Horsenden lane South  
Perivale, UB6 7RH  
MADE IN CHINA

**ES**

Si tiene alguna pregunta, comuníquese con nuestro Centro de Atención al Cliente. Nuestros datos de contacto son los siguientes:



0034-931294512



atencioncliente@aosom.es

Importador/Fabricante/REP:

Spanish Aosom, S.L.  
C/ Roc Gros, nº 15. 08550, Els Hostalets de Balenyà, Spain.

B66295775

atencioncliente@aosom.es

TEL: 931294512

HECHO EN CHINA

**FR**

Si vous avez la moindre question, veuillez contacter notre centre d'assistance à la clientèle.

Nos coordonnées sont les suivantes:



0033-1-84166106



aosom@mhfrance.fr

Importé par/Fabricant/REP:

MH France  
2, rue Maurice Hartmann  
92130 Issy-les-Moulineaux  
France  
Fabriqué en Chine

**PT**

Se tiver alguma dúvida, por favor contacte o nosso Centro de Atendimento ao Cliente. Os nossos dados de contacto são os seguintes:



0034-931294512



info@aosom.pt.

IMPORTADOR:

SPANISH AOSOM, S.L.  
C.ROC GROS N.15, 08550. ELS HOSTALETES DE BALENYÀ  
TEL: 931294512 (SEG-SEX DAS 7:30H ÀS 16:30H)

INFO@AOSOM.PT

WWW.AOSOM.PT

**DE**

Wenn Sie Fragen haben, wenden Sie sich bitte an unser Kundendienstzentrum.

Unsere Kontaktdaten stehen unten:



0049-0(40)-88307530



service@aosom.de

Importeur/Hersteller/REP:

MH Handel GmbH  
Wendenstraße 309  
D-20537 Hamburg  
Germany  
IN CHINA HERGESTELLT

**IT**

In caso di dubbio, si prega di contattare il nostro centro assistenza clienti. I nostri dettagli di contatto sono di seguito:



0039-0249471447



clienti@aosom.it

IMPORTATO DA/Produttore/REP:

AOSOM Italy srl  
Centro Direzionale Milanofiori  
Strada 1 Palazzo F1  
20057 Assago (MI)  
P.I.: 08567220960  
FATTO IN CINA