

# AIYAPLAY

IN240300103V01\_UK\_DE\_ES\_IT

**370-311V70\_370-311V90**

**EN**

The assembly manual of  
battery operated car  
Executive standard:

EN71-1  
EN71-2  
EN71-3  
EN62115  
ASTM F963



**CE**

Please read the manual before using the product. The manual and carton contain important information, please keep them properly for later references. If failure to following the instruction in the manual, it might be dangerous for your child.















In order to improve the product and quality, we may change the parts of structure, appearance, packing method, assembly method and function of the product without any notice. When there is any difference between the manual and the product, please subject to the actual product. We are sorry for any inconvenience.

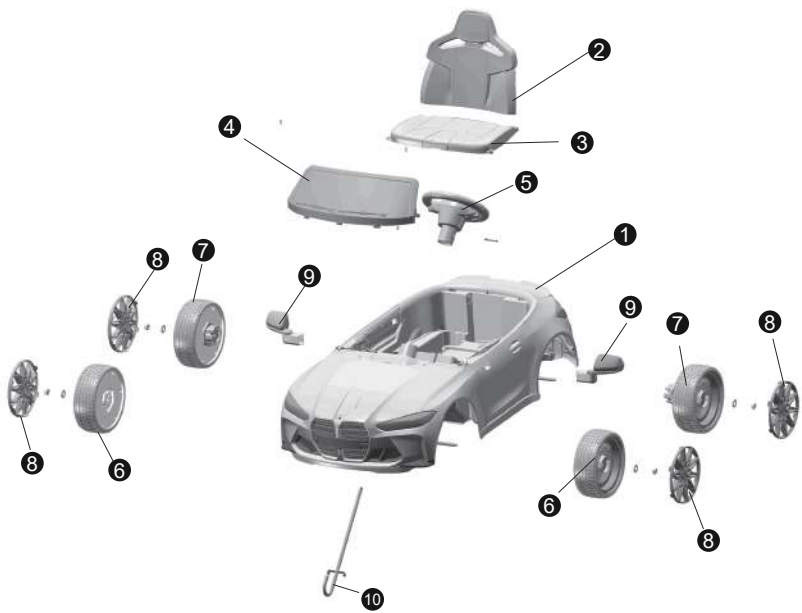
## **WARNING:**

Products should be assembled by an adult. Protective equipment should be worn. Not to be used in traffic. Not suitable for children under 3 years. Choking hazard- small parts. In unassembled state, contains potentially hazardous small parts. Please keep out of the reach of small children. Pay attention to the potential hazards of using the toy in areas other than private grounds.

**IMPORTANT, RETAIN FOR FUTURE REFERENCE: READ CAREFULLY**

# INSTRUCTION MANUAL

No	Parts Name	QTY	Pictures
①	Car body	1	
②	Backrest	1	
③	Seat	1	
④	Windshield	1	
⑤	Steering wheel	1	
⑥	Front wheel	2	
⑦	Rear wheel	2	
⑧	Wheel cover	4	
⑨	Mirror	2	
⑩	Steering axle	1	
⑪	Wrench	2	
⑫	Charger	1	
⑬	Remote control	1	
⑭	User manual	1	



12



13

**Tools:**



Phillips  
Screwdriver  
(Not Included)



11

**Disclaimer:**

The pictures in this instruction are for assembly reference only.  
Please refer to the actual product.

**Warning:**

This product is not the vehicle for transportation, it should be used under adult guidance. Parents should ensure that children have taken the safety measures before use.

The toy should be used with caution since skill is required to avoid falls or collisions causing injury to the user or third party.

## PRODUCT SPECIFICATIONS

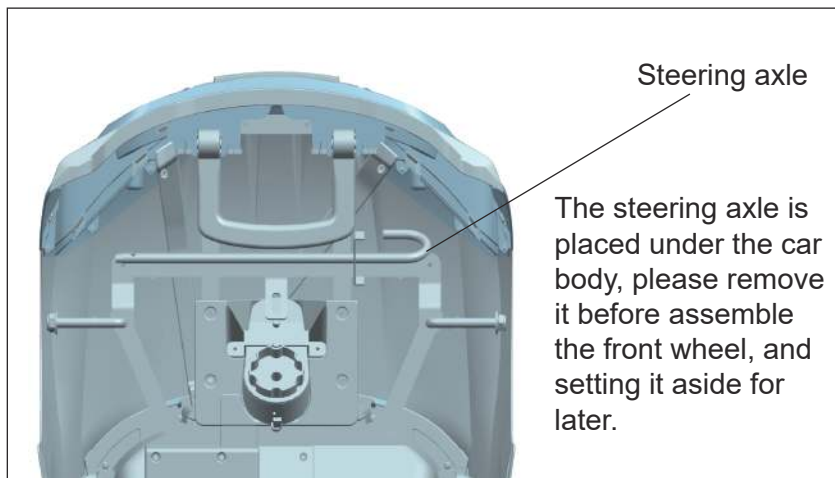
Battery	12V4.5AH
Main material	PP
Suitable age	37-95 months old
Weight limit	25kgs (55lbs)
Product size	108*69.5*51CM
Speed	3-5K/H
Runtime	45 minutes after charging 8-12 hours, based on ride on conditions
Charger	Input AC 100-240V Output DC 12V0.6A
Fuse	Auto-reset fuse

## Assembly instruction

Car assembling should be done by the adults.

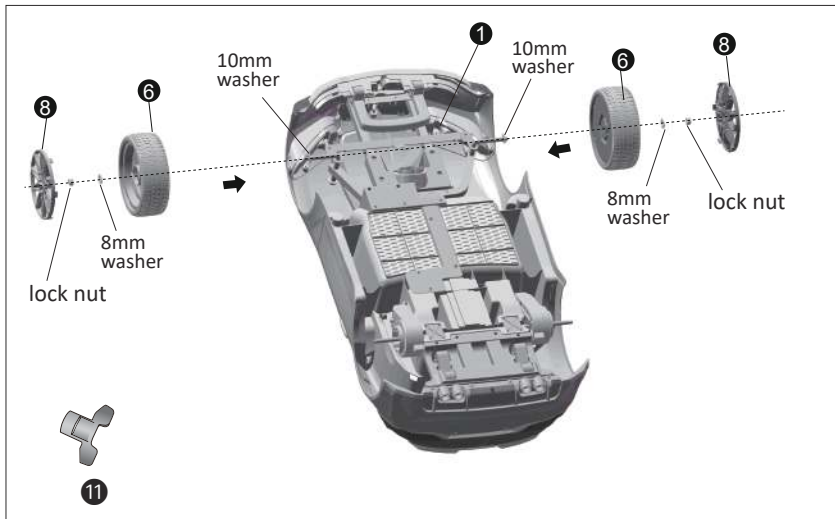
Take care of small parts. To avoid choking hazard, keep children away while assembling. Children under 36 months are prohibited to use.

Please count all the parts carefully before assembling and dispose the plastic bag properly. To avoid choking hazard, children are not allowed to play with the bag.



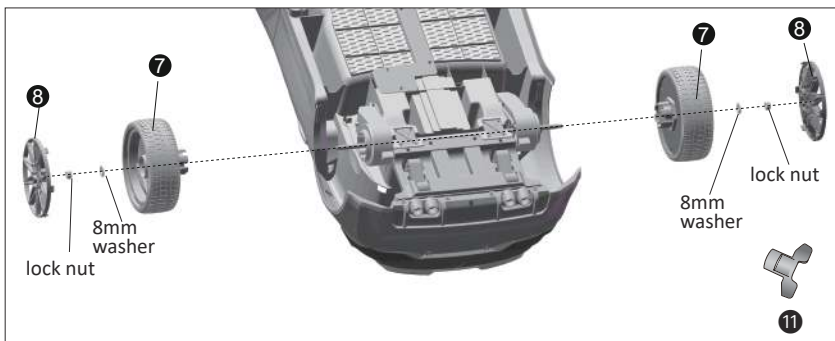
### 1. Front wheel assembly

There are two lock nuts, two 8mm washers and two 10mm washers on each side of front axle. Turn over the car body ①, use the wrench ⑪ to remove the lock nut from front axle, then remove two 8mm washers, keep them for later use. No need to remove two 10mm washers. Insert two front wheels ⑥ and two 8mm washers into front axle on each side, use the wrench ⑪ to fix them with the lock nuts. While applying pressure lock wheel covers ⑧ into grooves on front wheels ⑥.



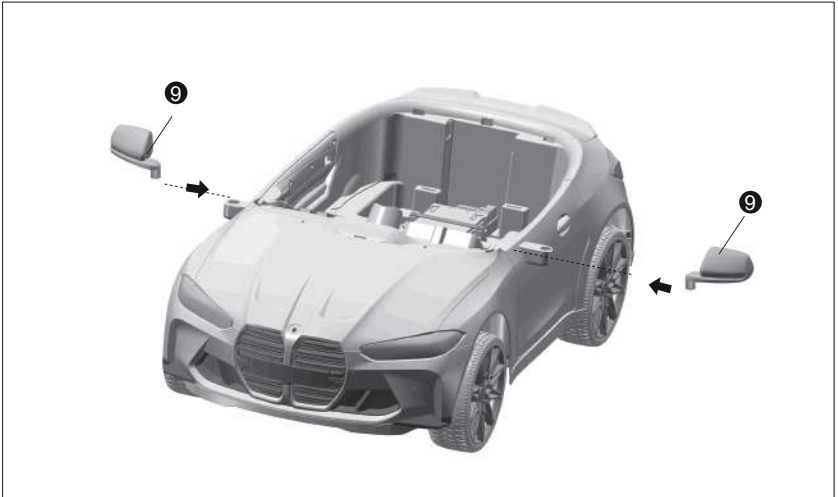
## 2. Rear wheel assembly

Use the wrench **11** to remove the lock nut from rear axle, then remove two 8mm washers, keep them for later use. Insert two rear wheels **7** and two 8mm washers into rear axle on each side, use the wrench **11** to fix them with the nuts. While applying pressure lock wheel covers **8** into grooves on rear wheels **7**.



### 3. Mirror assembly

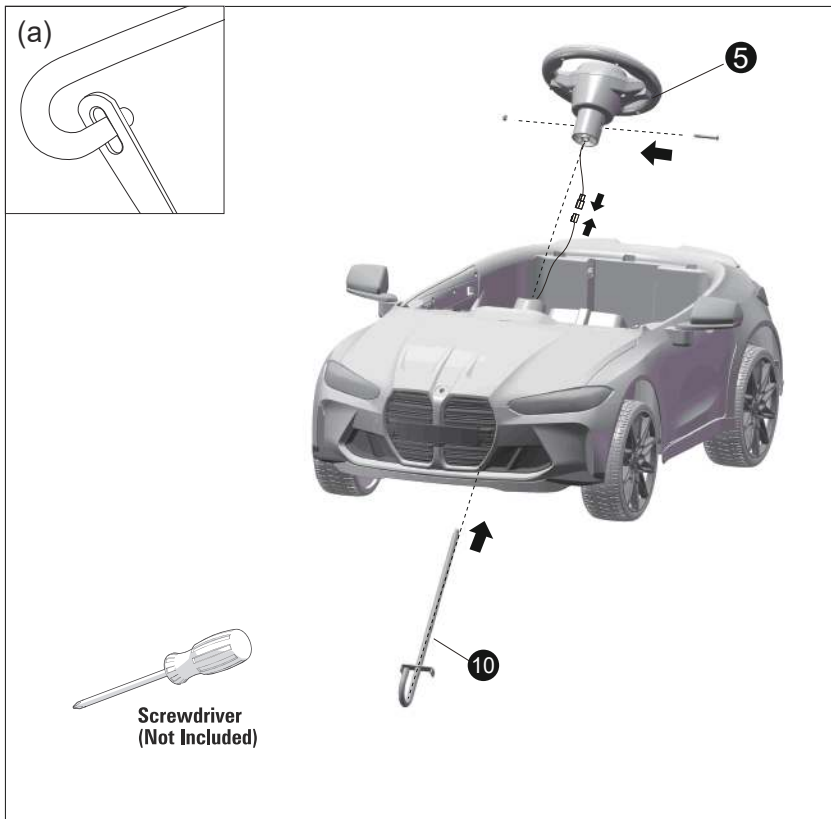
Insert two mirrors ⑨ into corresponding position on car body, push them into place.



### 4. Steering axle assembly

A. Insert the steering axle ⑩ into car body, make sure the hook on steering axle ⑩ pass through the hole on front axle as shown in picture (a).

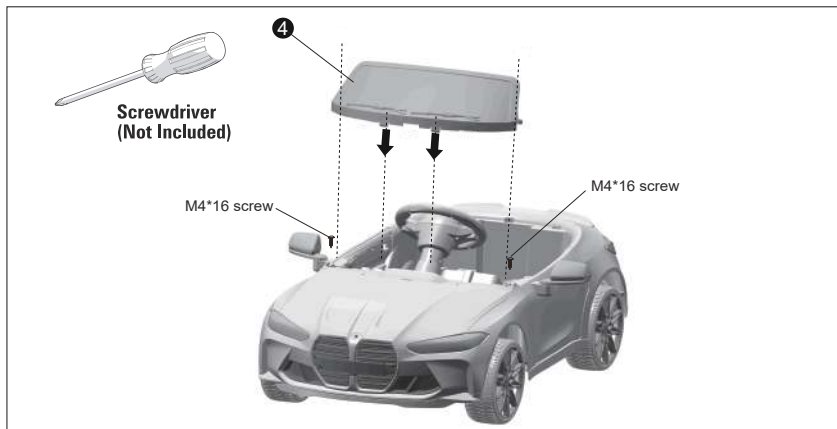
B. Use a screwdriver to remove the screw and the lock nut from steering wheel ⑤, keep them for later use. Connect steering wheel cable with the cable coming out of the steering column and match the connectors. Align steering wheel ⑤ with steering axle ⑩, match the holes on steering wheel ⑤ and the holes on steering axle ⑩, use a screwdriver to fix them with the screw and the nut.



## 5. Windshield assembly

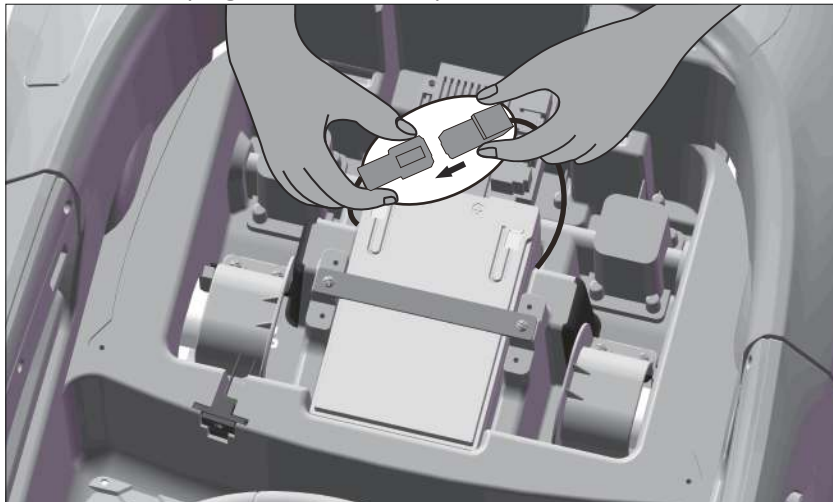
Using the screwdriver, remove two M4\*16 screws from the car body, setting them aside for later. Insert the windshield ④ into corresponding position on car body, push it into place, tighten two M4\*16 screws using the screwdriver.





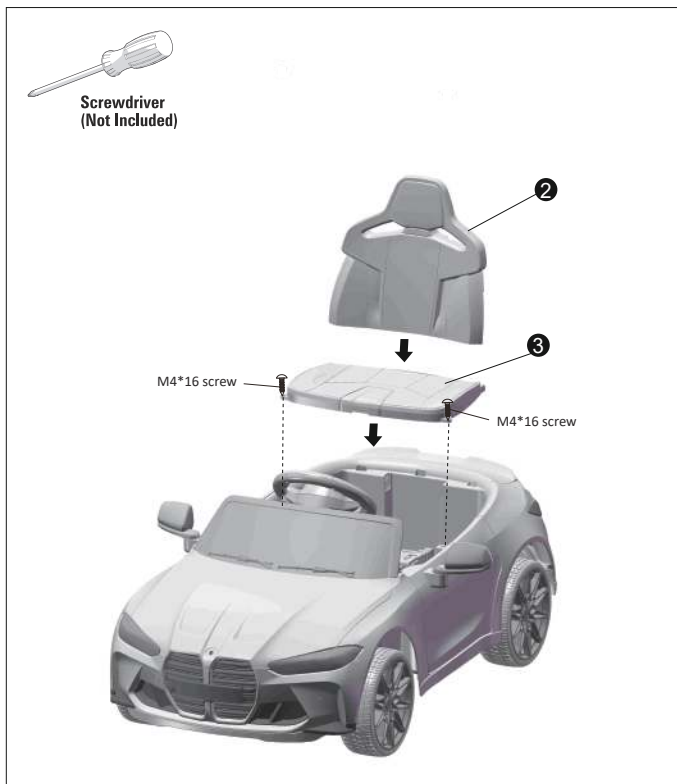
## 6. Battery connection

Match two red plugs to connect the power.



## 7. Seat assembly

There are two M4\*16 screws on the seat. Insert backrest **2** into corresponding position on car body, attach the seat **3** with car body, tighten two M4\*16 screws using the screwdriver.



## SECURITY WARNING

- 1.The installation and charging of vehicle should be under adult supervision at all times.
- 2.This product is limited to the children from 37-95 months old, 25kgs (55lbs) weight limit.
- 3.This product is ideal for driving on a hard flat surface.
- 4.It is strictly prohibited in the streets or the road, pot holes, and slopes.
- 5.Avoid driving in the sand or grass or uneven ground.
- 6.Children should be given full instructions on operation of the car. Improper operation can cause damage or accidents.

7. While children are driving, it is parents' duty to supervise at all time to avoid accidents.
8. Avoid driving in rains or flooded pathways. By doing so it can damage the motor, circuit and other electrical equipments.
9. Battery charger should be regularly inspected by parents to insure that the wires, plugs, crusts and other components are not damaged. Please stop using if any damage is found, until it is completely restored.
10. In order to ensure product life and safety, avoid damage to the charger, battery or electric circuit, the car must use the default configuration of a dedicated charger and power supply.
11. Rechargeable batteries should be removed from the toy before charging.
12. When no use of product, please cut off the product power, and keep all the switch to "stop" or "off" position.
13. The charger provided is not a toy. It is to be kept away from children.
14. Strictly prohibit using the non-manufacturer provided parts.

## **USAGE DIRECTION**

1. Before using it, make sure that all the following works are done.
    - Step described in accordance with the instructions to complete the installation of the car, the battery plug-in has been connected, the power supply has been switched on.
    - Make sure that all the positions which need the screws are fixed tightly.
    - Parents or guardian should ensure that children have taken the safety measures before using.
- To reduce the risk during using, pay attention the followings:  
When driving the car, child should sit on the car seat.  
Adult or parents should take more care and guidance when child driving and can't leave away.  
Pay attention to the driving environment and driving on the hard flat surface, not the unsafe environment.

For example:

- a. The trenches, the riverside, slope or uneven ground;
- b. Road or other places for driving and walking;
- c. The obstruction which is easily hitting and causing injury;
- d. Other unsafe zones.

To avoid accident, please use only in daytime or bright place, avoid using under low visibility.

## FUSE

This car has a auto-reset fuse, if the car stops suddenly during driving, it is mainly caused by instantaneous current exceeds ,which makes the fuse to trip. Then just stop operating for about 8 seconds, and this fuse can be reset. Then turn on the power switch again. In order to avoid the fuse tripping and cutting off power supply, please pay attention to the following matters.

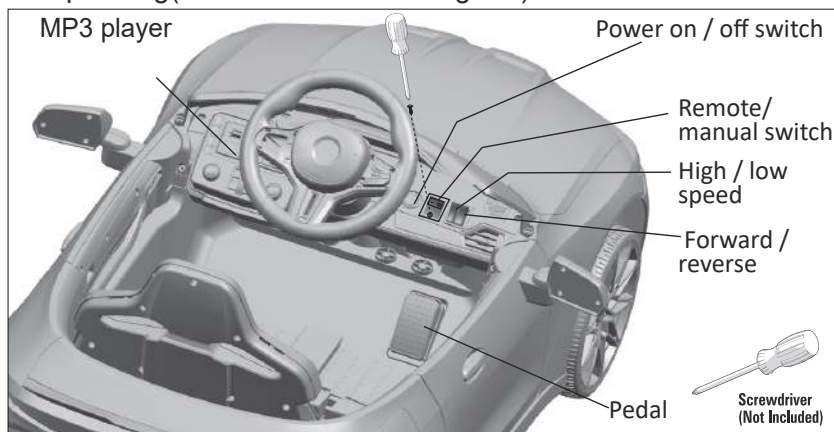
This product can't be overloaded, the maximum load is 25kgs (55lbs).

Don't drag anything behind the product.

Don't let the water or other liquid into the batteries and other electrical components.

Don't change the circuit system and structure of the product.

## 2. Operating(function reference diagram)

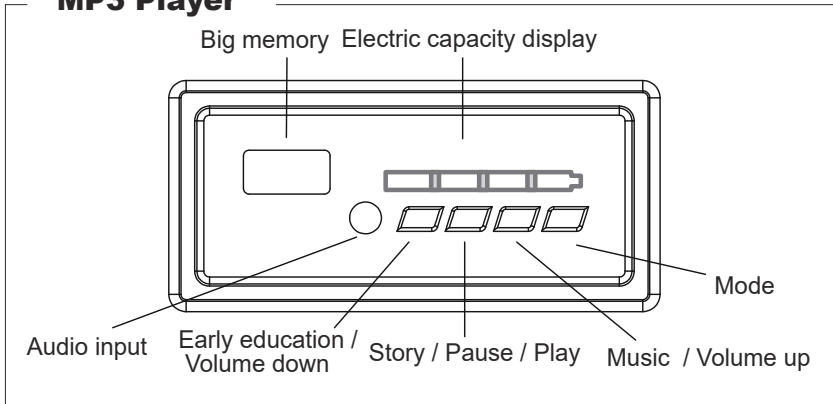


Remote / manual switch instruction:

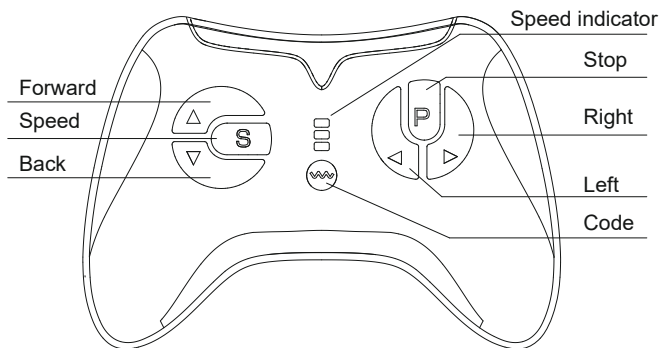
There is a screw on the cover of Remote / manual switch, using a screwdriver, remove the screw and open the cover.

This switch can achieve remote or manual function. Turn the switch on “I” position, remote control function can be used, and the car can be operated by the remote control only, the pedal can not be used. Turn the switch on “O” position, manual function can be used, and the car can be operated by the pedal only, the remote control can not be used. Always operate this switch by the adult.

## MP3 Player



## Remote control instruction



## 2.4G Remoter Control Instructions

For the first time need to code, this product has a memory function, replacement battery next time, you do not need to match the code Once again.

①. Long press "M" button more than three seconds, until the first LED lights flashing.

②. Open body power, first a long bright LED turns on the success of the code.

③. Remote control 10 seconds without operating automatic standby, press any key to wake up.

④. Key Description: "△" Forward, "▽" Back, "◁" Left, "▷" Right, "S" Speed, "P" Stop.

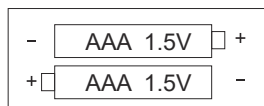
Press the "S" key to set the speed, a light is low, two lights for medium-speed, three lights for high-speed, the car back with only medium-speed

Press the "P" key to keep the brakes, the indicator full flash, press the brake button again to lift the brake.

### **WARNING:**

1. When operating the car, the distance between the car which kid sit in and the remote control which operated by adults should not be more than 10 meters.
2. The remote is only for adults to use, keep far away from child.
3. Before using the remote, please read the instruction manual carefully, and operate the empty car first, only when knowing the way of operation, you can use the remote with kid in the car.
4. This product should not be used on traffic road and the place with water and obstacles.
5. To Avoid damaging the circuit, please keep the remote control from wet and in rains.
6. Don't mix old and new batteries and different brands of dry batteries.

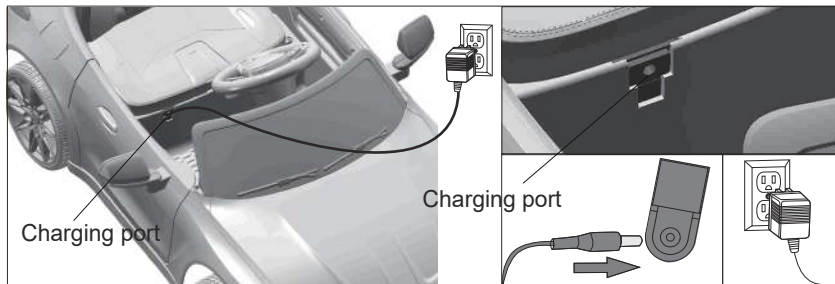
7. In order to avoid damaging the remote control, please take out the batteries if not use the remote control for a long time to avoid battery leakage and circuit corrosion.
8. Avoid dropping the remote control during using.
9. Install batteries with right polarity to avoid battery short circuit.
10. Charging must be done by adults. Non rechargeable batteries can't be charged.
11. Exhausted battery should be removed from the toy properly and prevent children from playing.
12. Take out the battery if no use for long time, properly handle the battery, and prevent children from playing.
13. If the remote distance is less than 3 meters, the battery in the remote control maybe has run out of power , please change 2 pieces of AAA alkaline batteries.



How to insert batteries: Use screwdriver to loosen the screw on the back of the remote control, open the battery cover, and install two AAA 1.5V alkaline type batteries according to the diagram (Batteries are self-provided), then close the battery cover, and fix with screw.

## CHARGING WAY

- For Safety purpose ,the charging must be done by adults.
  - Before first using, please connect two red plugs under the seat, use it only after charging 8-12 hours.
  - Charging socket is locate near the seat, please follow the instructions to charge the battery.
  - If the car has slowed down, it needs to be charged by 8-12 hours, maximum 20 hours.
1. First insert the plug of the charger into the charging port. (The car can not be used.)
  2. Then insert the charger to the power socket.



## **WARNING:**

1 The toy is to be assembled by an adult. In unassembled state, it contains potentially hazardous sharp points & small parts, so please keep out of baby's reach.

2 CHOCING HAZARD – Small parts.

3 Not for children under 3 yrs.

4 Always wear shoes.

5 RISK OF FIRE. Do not bypass. Replace only with circuit protection device.

6 Protective equipment should be worn. Not to be used in traffic.

## **Attention:**

- Can only use the charger and battery according to manufacturers regulations.

- Do not mix old and new or different types of batteries.

- The battery terminal should not be short circuit.

- Do not open the battery or charger.

- Do not reverse the battery.

- Before charging, please check whether the charger, battery and plug are ok, if you find any broken parts, you must stop using it immediately. And do not use it until it is fully repaired.



- The battery will be little warm when being charged, it is normal. If not, it may be caused from the short circuit of charger or circuit board.
- Must use the pressing plate to fix the battery.
- Run out of battery must be handled by adults, remove the battery which has run out from toys to recycle properly and shall not be arbitrarily discard.
- If the product is going to be stored unused long time , it must be fully charged, and charge it every 3 months ,so as to make sure the battery life.
- Charger and Battery are not toys. Keep them away from children.

## **MAINTENANCE AND SERVICE**

- 1, Before use, parents should check whether all parts like batteries, charger, wires, plug, outer body and other parts are in good condition, check whether the screws are loose and whether there are potential safety hazards. Any damaged parts founded should be repaired before using.
- 2, After using the product for a period of time, use a small amount of lubricating oil to the moving parts to prevent wear and tear of rust.
- 3, Keep the car away from fire and direct sunlight. Place it stably, not upside down. The car shall be stored indoors or outdoors under cover.
- 4, The car should be kept away from hot items, such as stoves or heaters, or the plastic parts will melt. When charging, the car should be kept away from inflammable materials to prevent it from catching fire.
- 5, Charge in time after use. Charging should be done by adults. If the product is going to be unused for a long time, it must be fully charged. Charge it every month so as to extend the battery lifespan.
- 6, A soft cloth must be used to clean the car. Do not use chemical solvents to clean the plastic parts. Do not use soap or water to clean the car. Driving in rainy or snowy weather, water can damage the motor, battery and circuit system.

- 7, When stopping or storing the car, please cut off the power and make sure all switches are in the 'STOP' or 'OFF' position.
- 8, Do not use fuses different from the specifications of this product.
- 9, Do not change the product structure and circuit system. Maintenance and repair work must be done under the guidance of the professional or technical personnel in place.
- 10, Do not use the product for other purposes. Put the battery in the right polarity.
- 11, Battery negative short circuit is prohibited. Non-rechargeable batteries cannot be charged.
- 12, Rechargeable batteries can only be charged under the supervision of the adult.
- 13, Do not mix old and new batteries or different types of batteries.
- 14, The battery running out of power should be removed from the car properly and not allowed to be played by children.
- 15, Disconnect the batteries completely when not in use and do not allow children to play with them.

## TROUBLESHOOTING

Car does not move or power on	If "power" switch is in OFF position
	If the fuse is not functioning properly
	If the battery is not connected, check the red and black wires.
	If the charger is plugged in, car will not power on. Unplug charger.
	If the pedal switch is not functioning properly
	If the wheels stuck and cannot move
Car moves slowly	If the battery is not fully charged. Need to be charged in time
	If there is an issue with the wheels
	If rider weight exceeds specifications
Battery does not charge	If the charger is malfunctioning
	If the battery lost its capacity
	If the charger and battery connection are charged

**WARNING:**

This toy contains batteries that are non-replaceable.  
A recommendation for adult supervision of young children.

**WARNING:**

To reduce risk of injury, adult supervision is required.  
Never use in roadways, near motor vehicles, on or near steep  
inclines of steps, swimming pools or other bodies of water,  
always wear shoes, and never allow more 1 rider.  
Only use the specified by the manufacturer battery.  
Only use the charger specified by the manufacturer.



**WARNING:**

Assembly by an adult

Maximum capacity: 25kgs (55lbs)

- This toy contains batteries that are non-replaceable.
- Rechargeable batteries are only to be charged by adult.
- Instructions to be given to the child in the proper use of the toy, particularly in the use of any braking system
- A reminder that the toy should be used with caution since skill is required avoid falls or collisions causing injury to the user or third parties.
- Battery is only to be charged by person of at least 8 years old.
- Exhausted batteries are to be removed from the toy.

# AIYAPLAY

IN240300103V01\_UK\_DE\_ES\_IT

**370-311V70\_370-311V90**

**DE**

Die Montageanleitung für das  
batteriebetriebene Auto  
Ausführungsstandard:

EN71-1

EN71-2

EN71-3

EN62115

ASTM F963



Bitte lesen Sie vor der Verwendung des Produkts die Anleitung. Die Anleitung und der Karton enthalten wichtige Informationen. Bitte bewahren Sie sie für spätere Referenzen ordnungsgemäß auf. Wenn Sie die Anweisungen in der Anleitung nicht befolgen, kann dies für Ihr Kind gefährlich sein.















Um das Produkt und die Qualität zu verbessern, können wir die Teile der Struktur, das Aussehen, die Verpackungsmethode, die Montagemethode und die Funktion des Produkts ohne Vorankündigung ändern. Wenn es Unterschiede zwischen der Anleitung und dem Produkt gibt, gelten die tatsächlichen Produkteigenschaften. Wir entschuldigen uns für etwaige Unannehmlichkeiten.

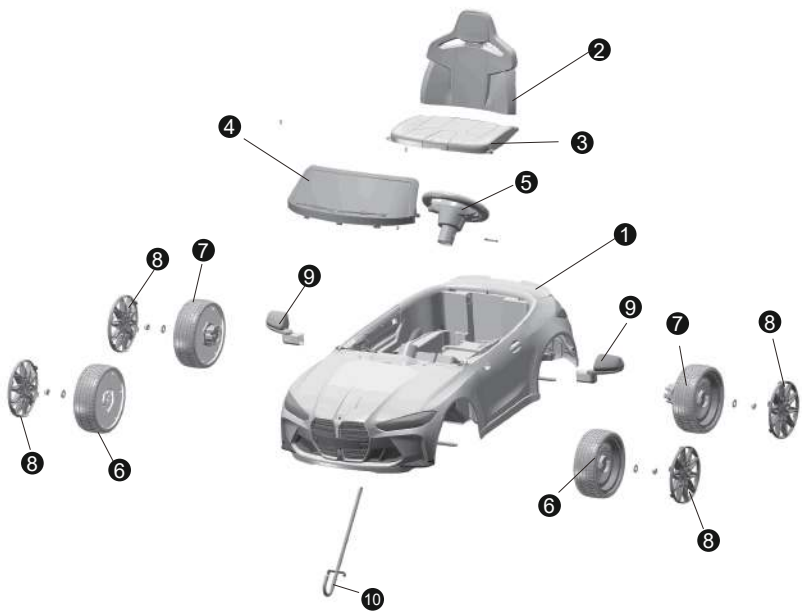
## **WARNING:**

Das Produkt sollte von einem Erwachsenen montiert werden. Schutzausrüstung sollte getragen werden. Nicht im Straßenverkehr verwenden. Nicht geeignet für Kinder unter 3 Jahren. Erstickungsgefahr - Kleinteile. Im unmontierten Zustand enthält es potenziell gefährliche Kleinteile. Bitte halten Sie es außerhalb der Reichweite von kleinen Kindern. Achten Sie auf mögliche Gefahren bei der Verwendung des Spielzeugs an Orten außerhalb des eigenen Grundstücks.

**WICHTIG! SORGFÄLTIG LESEN UND FÜR  
SPÄTERES NACHSCHLAGEN AUFBEWAHREN.**

## **BEDIENUNGSANLEITUNG**

No	Teilenamen	Anzahl	Bilder
①	Karosserie	1	
②	Rückenlehne	1	
③	Sitz	1	
④	Windschutzscheibe	1	
⑤	Lenkrad	1	
⑥	Vorderrad	2	
⑦	Hinterrad	2	
⑧	Radkappe	4	
⑨	Spiegel	2	
⑩	Lenkachse	1	
⑪	Schraubenschlüssel	2	
⑫	Ladegerät	1	
⑬	Fernbedienung	1	
⑭	Benutzerhandbuch	1	



12



13

### Werkzeuge:



Schraubenzieher  
(nicht enthalten)



11

### Haftungsausschluss:

Die Bilder in dieser Anleitung dienen nur als Montagebezug. Bitte beachten Sie das tatsächliche Produkt.

### Warnung:

Dieses Produkt ist kein Transportmittel und sollte unter der Aufsicht Erwachsener verwendet werden. Eltern sollten sicherstellen, dass Kinder vor der Verwendung Sicherheitsmaßnahmen ergriffen haben. Das Spielzeug sollte mit Vorsicht verwendet werden, da Geschicklichkeit erforderlich ist, um Stürze oder Kollisionen zu vermeiden, die dem Benutzer oder Dritten Verletzungen zufügen könnten.

## PRODUKTSPEZIFIKATIONEN

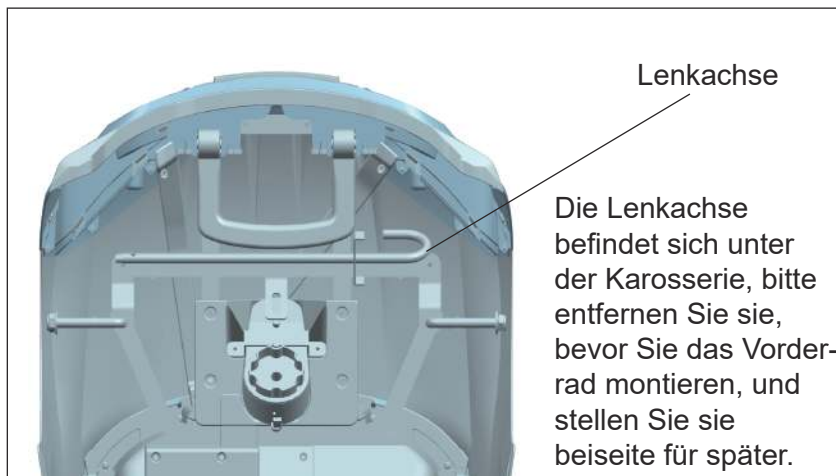
Batterie	12V4.5AH
Hauptmaterial	PP
Geeignetes Alter	37-95 Monate
Gewichtsbeschränkung	25kgs (55lbs)
Produktgröße	108*69.5*51CM
Geschwindigkeit	3-5K/H
Laufzeit	45 Minuten nach 8-12 Stunden Aufladung, basierend auf den Fahrbedingungen
Ladegerät	Eingang AC 100-240V Ausgang DC 12V0.6A
Sicherungen	Automatische Rückstell-Sicherung

## Montageanleitung

Der Zusammenbau des Autos sollte von Erwachsenen durchgeführt werden.

Achten Sie auf Kleinteile. Um Erstickungsgefahr zu vermeiden, halten Sie Kinder während des Zusammenbaus fern. Kinder unter 36 Monaten dürfen es nicht benutzen.

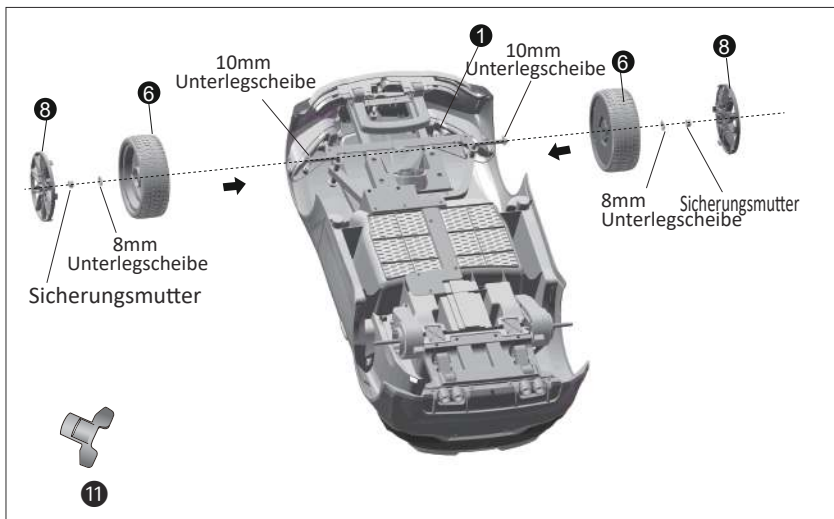
Bitte zählen Sie alle Teile sorgfältig vor dem Zusammenbau und entsorgen Sie den Plastikbeutel ordnungsgemäß. Kinder dürfen nicht mit dem Beutel spielen, um Erstickungsgefahr zu vermeiden.



### 1. Montage des Vorderrads

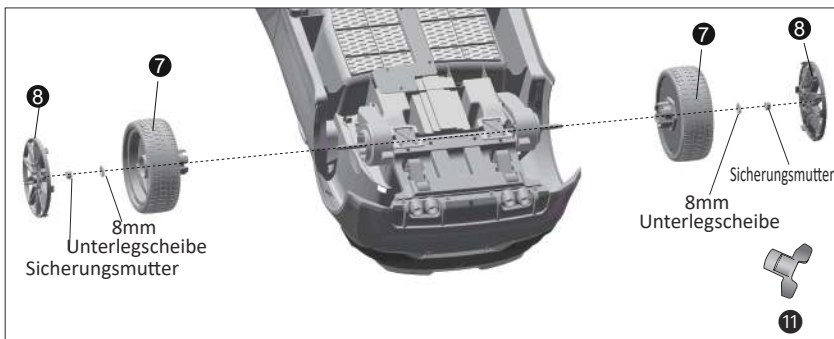
Es gibt auf jeder Seite der Vorderachse zwei Sicherungsmuttern, zwei 8-mm-Unterlegscheiben und zwei 10-mm-Unterlegscheiben. Drehen Sie die Karosserie **1** um, verwenden Sie den Schraubenschlüssel **11**, um die Sicherungsmuttern von der Vorderachse zu lösen, entfernen Sie dann zwei 8-mm-Unterlegscheiben und behalten Sie sie für später. Die beiden 10-mm-Unterlegscheiben müssen nicht entfernt werden. Setzen Sie zwei Vorderräder **6** und zwei 8-mm-Unterlegscheiben auf jeder Seite in die Vorderachse ein und befestigen Sie sie mit den Sicherungsmuttern mit dem Schraubenschlüssel **11**. Drücken Sie die Radabdeckungen **8** in die Rillen der Vorderräder **6**, während Sie Druck ausüben.





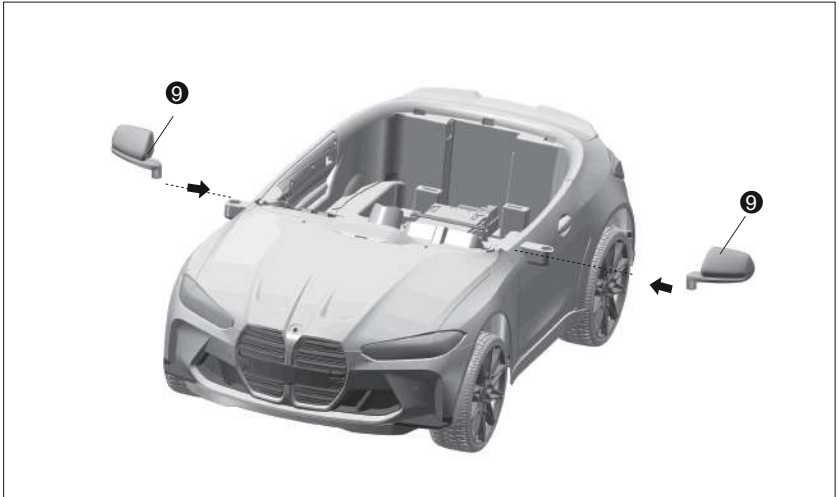
## 2. Montage des Hinterrads

Verwenden Sie den Schraubenschlüssel **11**, um die Sicherungsmutter von der Hinterachse zu lösen, entfernen Sie dann zwei 8-mm-Unterlegscheiben und behalten Sie sie für später. Setzen Sie zwei Hinterräder **7** und zwei 8-mm-Unterlegscheiben auf jeder Seite in die Hinterachse ein und befestigen Sie sie mit den Muttern mit dem Schraubenschlüssel **11**. Drücken Sie die Radabdeckungen **8** in die Rillen der Hinterräder **7**, während Sie Druck ausüben.



### 3. Montage des Spiegels

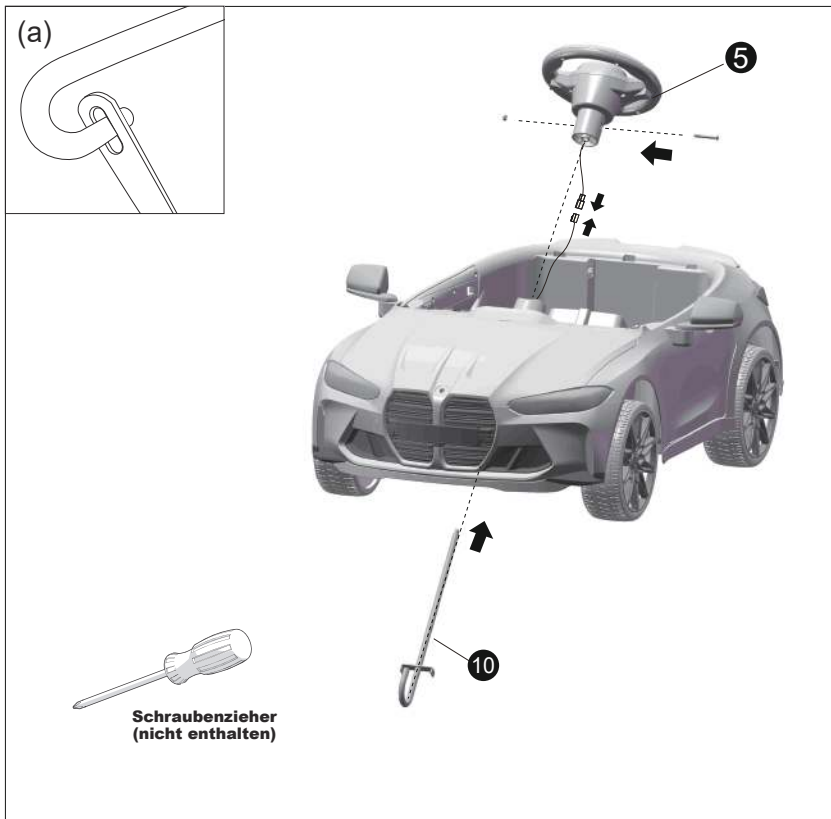
Setzen Sie zwei Spiegel **9** an der entsprechenden Position an der Karosserie ein und drücken Sie sie an ihren Platz.



### 4. Montage der Lenkachse

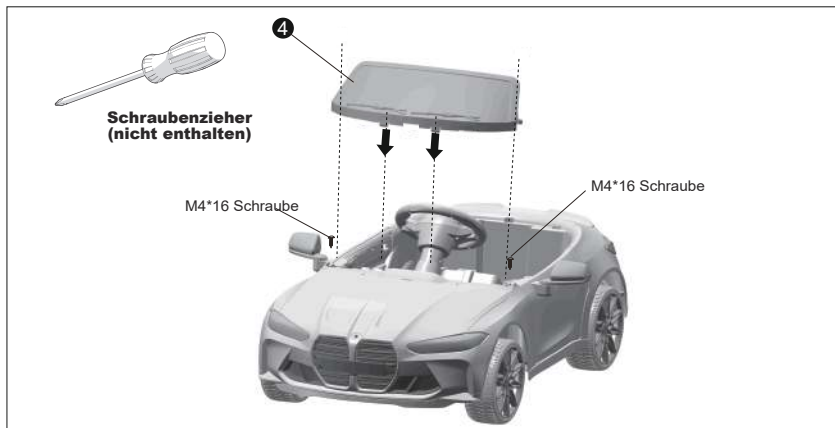
A. Setzen Sie die Lenkachse **10** in die Karosserie ein und stellen Sie sicher, dass der Haken an der Lenkachse **10** durch das Loch an der Vorderachse wie im Bild (a) gezeigt geht.

B. Verwenden Sie einen Schraubenzieher, um die Schraube und die Sicherungsmutter vom Lenkrad **5** zu entfernen und behalten Sie sie für später. Verbinden Sie das Lenkradkabel mit dem Kabel, das aus der Lenksäule kommt, und passen Sie die Stecker an. Richten Sie das Lenkrad **5** mit der Lenkachse **10** aus, bringen Sie die Löcher am Lenkrad **5** und den Löchern an der Lenkachse **10** überein und befestigen Sie sie mit dem Schraubenzieher mit der Schraube und der Mutter.



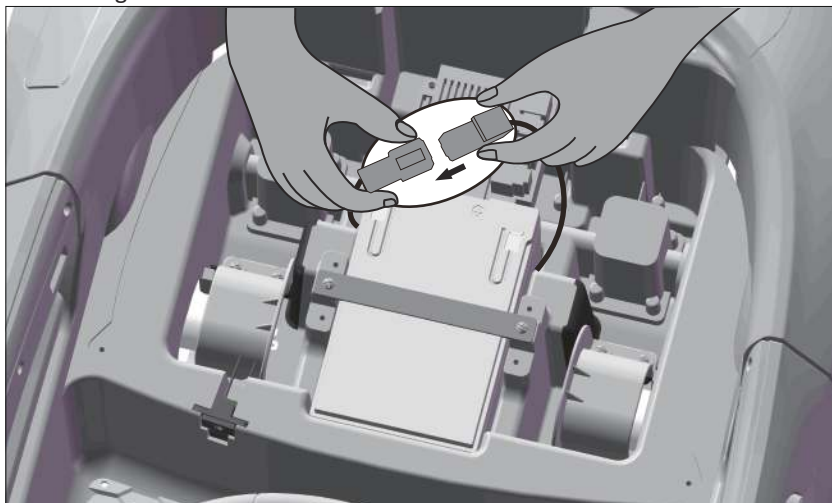
## 5. Montage der Windschutzscheibe

Mit dem Schraubenzieher die beiden M4\*16 Schrauben von der Karosserie entfernen und sie für später beiseitelegen. Die Windschutzscheibe ④ an der entsprechenden Position an der Karosserie einsetzen und festdrücken. Die beiden M4\*16 Schrauben mit dem Schraubenzieher festziehen.



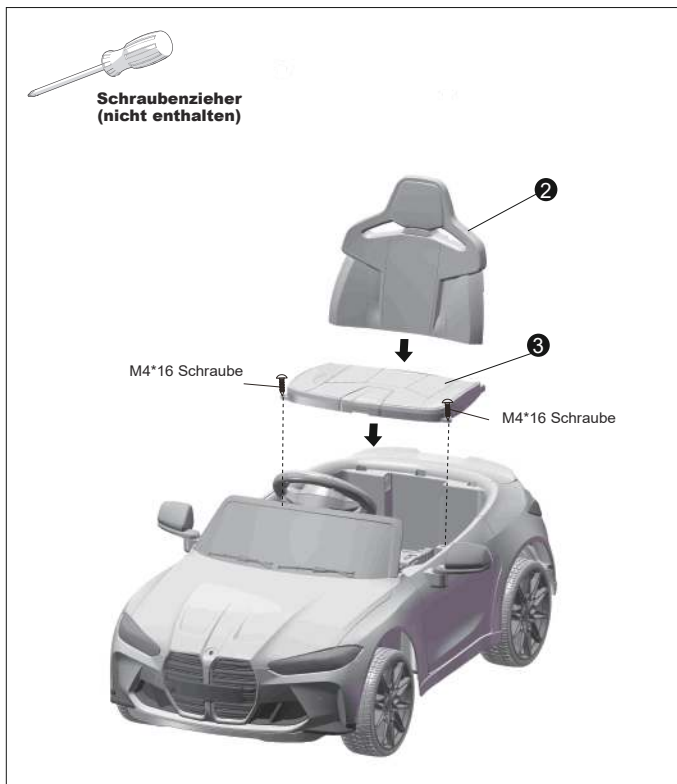
#### 6. Batterieverbinding

Stellen Sie sicher, dass zwei rote Stecker übereinstimmen, um die Stromverbindung herzustellen.



#### 7. Montage des Sitzes

Auf dem Sitz befinden sich zwei M4\*16 Schrauben. Setzen Sie die Rückenlehne ② an der entsprechenden Position an der Karosserie ein und befestigen Sie den Sitz ③ an der Karosserie. Die beiden M4\*16 Schrauben mit dem Schraubenzieher festziehen.



## SICHERHEITSHINWEIS

1. Die Installation und das Aufladen der Fahrzeuge sollten jederzeit unter Aufsicht eines Erwachsenen stattfinden.
2. Dieses Produkt ist für Kinder im Alter von 37-95 Monaten geeignet und hat ein Gewichtslimit von 25 kg (55 lbs).
3. Dieses Produkt eignet sich am besten zum Fahren auf einer harten, ebenen Oberfläche.
4. Es ist strengstens verboten, auf Straßen, Bürgersteigen, Schlaglöchern und Steigungen zu fahren.
5. Vermeiden Sie das Fahren im Sand, auf Gras oder unebenem Boden.
6. Kindern sollten vollständige Anweisungen zur Bedienung des Fahrzeugs gegeben werden. Eine unsachgemäße Bedienung kann zu Schäden oder Unfällen führen.

7. Während Kinder fahren, obliegt es den Eltern, jederzeit die Aufsicht zu führen, um Unfälle zu vermeiden.
8. Vermeiden Sie das Fahren bei Regen oder überfluteten Wegen. Dadurch kann der Motor, die Elektronik und andere elektrische Geräte beschädigt werden.
9. Der Batterieladegerät sollte regelmäßig von den Eltern inspiziert werden, um sicherzustellen, dass Kabel, Stecker, Gehäuse und andere Komponenten nicht beschädigt sind. Bitte verwenden Sie das Ladegerät nicht, wenn Schäden festgestellt werden, bis es vollständig instand gesetzt ist.
10. Um die Produktlebensdauer und Sicherheit zu gewährleisten und Schäden am Ladegerät, der Batterie oder dem elektrischen Stromkreis zu vermeiden, muss das Auto das mitgelieferte spezielle Ladegerät und die Stromversorgung verwenden.
11. Wiederaufladbare Batterien sollten vor dem Laden aus dem Spielzeug entfernt werden.
12. Wenn das Produkt nicht verwendet wird, schalten Sie es bitte aus und stellen Sie sicher, dass alle Schalter in der "Stop" oder "Off"-Position stehen.
13. Das mitgelieferte Ladegerät ist kein Spielzeug. Es sollte außerhalb der Reichweite von Kindern aufbewahrt werden.
14. Die Verwendung von nicht vom Hersteller bereitgestellten Teilen ist strengstens untersagt.

## GEBRAUCHSANWEISUNG

1. Stellen Sie vor der Verwendung sicher, dass alle folgenden Arbeiten abgeschlossen sind.
    - Führen Sie die in den Anweisungen beschriebenen Schritte aus, um die Installation des Autos abzuschließen. Der Batterieanschluss wurde angeschlossen und die Stromversorgung wurde eingeschaltet.
    - Stellen Sie sicher, dass alle Positionen, die Schrauben erfordern, fest fixiert sind.
    - Eltern oder Erziehungsberechtigte sollten sicherstellen, dass Kinder vor der Verwendung die erforderlichen Sicherheitsmaßnahmen getroffen haben.
- Um das Risiko während der Verwendung zu reduzieren, beachten Sie bitte die folgenden Punkte: Wenn das Kind das Auto fährt, sollte es auf dem Autositz sitzen. Erwachsene oder Eltern sollten beim Fahren des Kindes besonders aufpassen und Anleitung geben und dürfen das Kind nicht alleine lassen.
- Achten Sie auf die Fahrumgebung und fahren Sie auf harten, ebenen Oberflächen, nicht in unsicheren Umgebungen.

Zum Beispiel:

- a. Gräben, Flussufer, Hang oder unebener Boden;
- b. Straßen oder andere Orte zum Fahren und Gehen;
- c. Hindernisse, die leicht zu treffen und Verletzungen verursachen können;
- d. Andere unsichere Bereiche.

Um Unfälle zu vermeiden, verwenden Sie das Produkt nur tagsüber oder an hellen Orten und vermeiden Sie die Verwendung bei schlechter Sicht.

## ICHERUNG

Dieses Auto verfügt über eine automatische Rückstell-Sicherung. Wenn das Auto während der Fahrt plötzlich stehen bleibt, wird dies hauptsächlich durch einen Stromüberschuss verursacht, der dazu führt, dass die Sicherung auslöst. Halten Sie dann einfach etwa 8 Sekunden lang an und die Sicherung wird zurückgesetzt. Schalten Sie danach den Netzschalter wieder ein. Um ein Auslösen der Sicherung und das Abschalten der Stromversorgung zu vermeiden, beachten Sie bitte die folgenden Punkte.

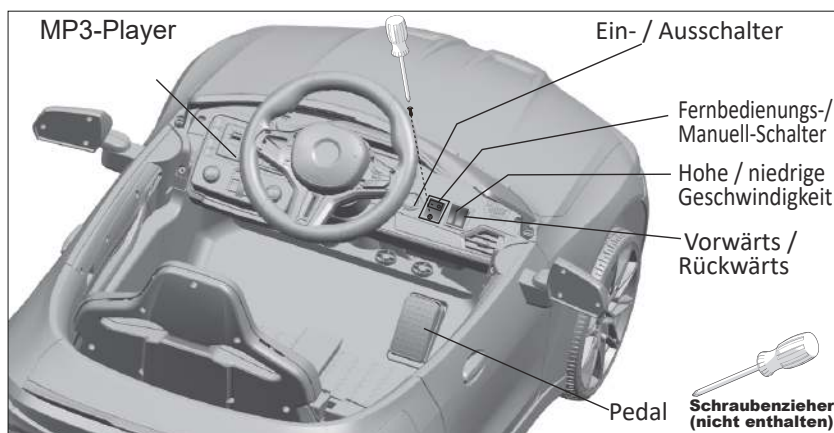
Dieses Produkt darf nicht überlastet werden, die maximale Belastung beträgt 25 kg (55 lbs).

Ziehen Sie nichts hinter dem Produkt her.

Lassen Sie kein Wasser oder andere Flüssigkeiten in die Batterien und andere elektrische Komponenten gelangen.

Ändern Sie nicht den Schaltkreis und die Struktur des Produkts.

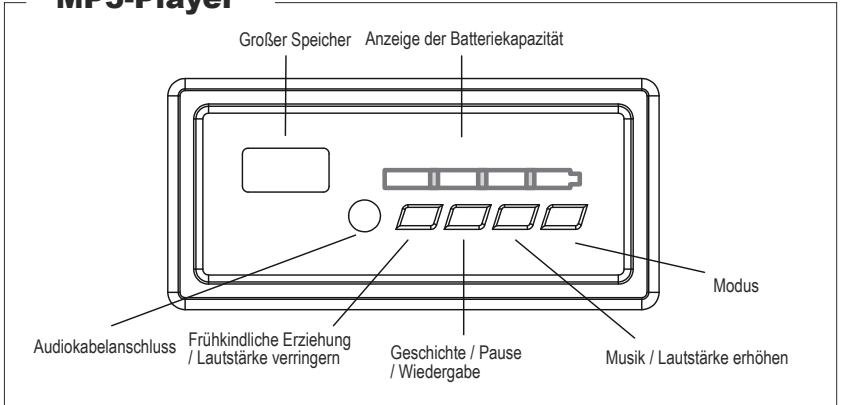
### 2. Bedienung (Funktionsreferenzdiagramm)



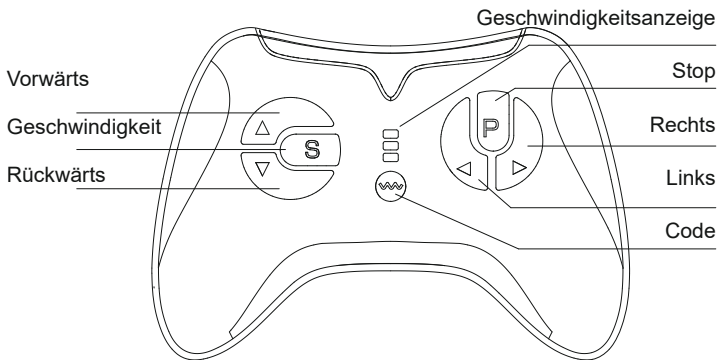
#### Anweisungen zum Fernbedienungs-/Manuell-Schalter:

Auf der Abdeckung des Fernbedienungs-/Manuell-Schalters befindet sich eine Schraube. Lösen Sie die Schraube mit einem Schraubenzieher und öffnen Sie die Abdeckung. Mit diesem Schalter kann die Fern- oder manuelle Funktion aktiviert werden. Stellen Sie den Schalter in die Position "|", um die Fernbedienungsfunktion zu deaktivieren. Das Auto kann nur mit der Fernbedienung gesteuert werden und das Pedal kann nicht verwendet werden. Stellen Sie den Schalter in die Position "0", um die manuelle Funktion zu aktivieren. Das Auto kann nur mit dem Pedal gesteuert werden und die Fernbedienung kann nicht verwendet werden. Diesen Schalter immer von einem Erwachsenen bedienen.

## MP3-Player



## Anleitung zur Fernbedienung





## 2,4G-Fernbedienungsanleitung

Für die erste Verwendung muss zuerst eine Codierung erfolgen. Dieses Produkt verfügt über eine Speicherfunktion, daher ist beim nächsten Batteriewechsel keine erneute Code-Eingabe erforderlich.

① Drücken Sie die "M"-Taste länger als drei Sekunden, bis die erste LED blinkt.

② Schalten Sie die Stromversorgung des Fahrzeugs ein. Wenn eine LED dauerhaft leuchtet, war die Code-Eingabe erfolgreich.

③ Die Fernbedienung wechselt automatisch nach 10 Sekunden in den Standby-Modus, drücken Sie eine beliebige Taste, um sie zu aktivieren.

④ Tastenbeschreibung: "△" Vorwärts, "▽" Rückwärts, "◁" Links, "▷" Rechts, "S" Geschwindigkeit, "P" Stoppen.

Drücken Sie die "S"-Taste, um die Geschwindigkeit einzustellen. Eine Leuchte zeigt eine niedrige Geschwindigkeit an, zwei Leuchten eine mittlere Geschwindigkeit und drei Leuchten eine hohe Geschwindigkeit an. Das Fahrzeug fährt beim Rückwärtsfahren nur mit mittlerer Geschwindigkeit.

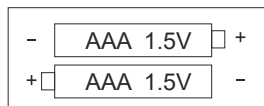
Drücken Sie die "P"-Taste, um die Bremse zu aktivieren. Die Anzeige blinkt vollständig auf. Drücken Sie die Bremsentaste erneut, um die Bremse zu lösen.

### **WARNUNG:**

1. Beim Betreiben des Fahrzeugs sollte der Abstand zwischen dem Fahrzeug, in dem das Kind sitzt, und der Fernbedienung, die von Erwachsenen bedient wird, nicht mehr als 10 Meter betragen.
2. Die Fernbedienung ist nur für Erwachsene bestimmt. Halten Sie sie von Kindern fern.
3. Lesen Sie vor der Verwendung der Fernbedienung bitte sorgfältig die Anleitung, und betreiben Sie das leere Fahrzeug zuerst. Erst wenn Sie den Betrieb beherrschen, können Sie die Fernbedienung zusammen mit dem Kind im Fahrzeug verwenden.
4. Dieses Produkt sollte nicht auf Straßen oder an Orten mit Wasser und Hindernissen verwendet werden.
5. Um Beschädigungen des Schaltkreises zu vermeiden, halten Sie die Fernbedienung trocken und schützen Sie sie vor Regen.
6. Verwenden Sie keine alten und neuen Batterien oder verschiedene Marken von Trockenbatterien in Kombination.

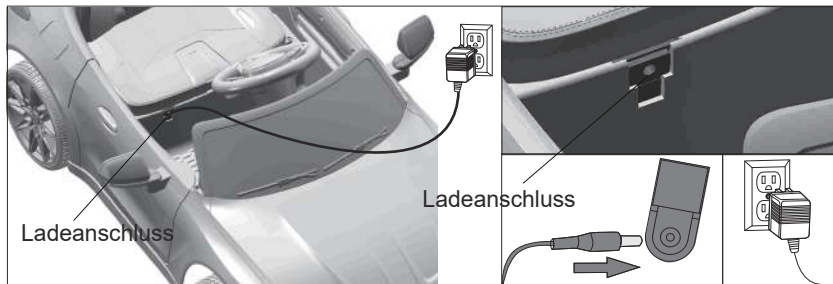
7. Um Schäden an der Fernbedienung zu vermeiden, nehmen Sie bitte die Batterien heraus, wenn die Fernbedienung längere Zeit nicht verwendet wird, um Batterieleckage und die Korrosion des Schaltkreises zu verhindern.
8. Vermeiden Sie das Herunterfallen der Fernbedienung während der Verwendung.
9. Setzen Sie die Batterien mit der richtigen Polarität ein, um Kurzschlüsse zu vermeiden.
10. Das Aufladen muss von Erwachsenen durchgeführt werden. Nicht wiederaufladbare Batterien dürfen nicht aufgeladen werden.
11. Erschöpfte Batterien sollten ordnungsgemäß aus dem Spielzeug entfernt werden und verhindern, dass Kinder damit spielen.
12. Nehmen Sie die Batterie heraus, wenn sie längere Zeit nicht verwendet wird, handhaben Sie sie ordnungsgemäß und verhindern Sie, dass Kinder damit spielen.
13. Wenn die Fernbedienungsdistanz weniger als 3 Meter beträgt, ist die Batterie in der Fernbedienung möglicherweise leer. Bitte wechseln Sie 2 AAA-Alkalibatterien aus (nicht im Lieferumfang enthalten).

Wie man die Batterien einlegt: Verwenden Sie einen Schraubenzieher, um die Schraube auf der Rückseite der Fernbedienung zu lösen, öffnen Sie die Batterieabdeckung und setzen Sie zwei AAA 1,5V-Alkalibatterien entsprechend der Abbildung ein (Batterien sind nicht im Lieferumfang enthalten), schließen Sie dann die Batterieabdeckung und befestigen Sie sie mit der Schraube.



## LADEMETHODE

- Das Aufladen muss aus Sicherheitsgründen von Erwachsenen durchgeführt werden.
  - Vor der ersten Verwendung verbinden Sie bitte die beiden roten Stecker unter dem Sitz und verwenden Sie das Fahrzeug erst nach einer Ladezeit von 8-12 Stunden.
  - Die Ladebuchse befindet sich in der Nähe des Sitzes. Bitte folgen Sie den Anweisungen zum Aufladen der Batterie.
  - Wenn das Auto langsamer wird, muss es 8-12 Stunden lang geladen werden, maximal 20 Stunden.
1. Stecken Sie den Stecker des Ladegeräts in den Ladeanschluss (Das Auto kann dabei nicht verwendet werden.)
  2. Stecken Sie das Ladegerät in die Steckdose.



## **WARNUNG:**

1. Das Spielzeug sollte von einem Erwachsenen montiert werden. Im unmontierten Zustand enthält es potenziell gefährliche spitze Teile und Kleinteile, daher bitte außerhalb der Reichweite von Babys aufbewahren.
2. ERSTICKUNGSGEFAHR - Kleinteile.
3. Nicht für Kinder unter 3 Jahren geeignet.
4. Immer Schuhe tragen.
5. BRANDGEFAHR. Nicht umgehen. Nur mit einem Gerät mit Schutzschaltung ersetzen.
6. Schutzausrüstung sollte getragen werden. Nicht im Straßenverkehr verwenden.

## **Achtung:**

- Verwenden Sie nur das Ladegerät und die Batterie gemäß den Herstellervorschriften.
- Mischen Sie keine alten und neuen oder verschiedene Arten von Batterien.
- Die Batterieklemme darf keinen Kurzschluss haben.
- Öffnen Sie die Batterie oder das Ladegerät nicht.
- Drehen Sie die Batterie nicht um.
- Überprüfen Sie vor dem Aufladen, ob das Ladegerät, die Batterie und der Stecker in Ordnung sind. Wenn Sie beschädigte Teile feststellen, müssen Sie sofort aufhören, es zu verwenden. Verwenden Sie es erst, wenn es vollständig repariert ist.

- Die Batterie wird beim Aufladen leicht warm, das ist normal. Wenn nicht, kann dies auf einen Kurzschluss des Ladegeräts oder der Leiterplatte zurückzuführen sein.
- Verwenden Sie unbedingt die Druckplatte, um die Batterie zu fixieren.
- Verbrauchte Batterien müssen von Erwachsenen behandelt werden. Entfernen Sie die leere Batterie ordnungsgemäß aus dem Spielzeug und recyceln Sie sie. Sie darf nicht willkürlich weggeworfen werden.
- Wenn das Produkt längere Zeit unbenutzt gelagert wird, muss es vollständig aufgeladen werden und alle 3 Monate aufgeladen werden, um die Batterielebensdauer sicherzustellen.
- Ladegerät und Batterie sind keine Spielzeuge. Halten Sie sie von Kindern fern.

## **WARTUNG UND SERVICE**

1. Vor der Verwendung sollten Eltern überprüfen, ob alle Teile wie Batterien, Ladegerät, Kabel, Stecker, Karosserie und andere Teile in gutem Zustand sind, ob die Schrauben locker sind und ob potenzielle Sicherheitsrisiken bestehen. Jegliche beschädigten Teile müssen vor der Verwendung repariert werden.
2. Nach einer gewissen Nutzungsdauer sollten die beweglichen Teile mit einer kleinen Menge Schmieröl behandelt werden, um Verschleiß und Rost zu verhindern.
3. Das Auto sollte von Feuer und direktem Sonnenlicht ferngehalten werden. Stellen Sie es stabil hin, nicht auf den Kopf. Das Auto sollte drinnen oder draußen unter einer Abdeckung aufbewahrt werden.
4. Das Auto sollte von heißen Gegenständen wie Herden oder Heizungen ferngehalten werden, da die Kunststoffteile schmelzen könnten. Beim Aufladen sollte das Auto von brennbaren Materialien ferngehalten werden, um ein Entzünden zu verhindern.
5. Nach der Verwendung sollte rechtzeitig aufgeladen werden. Das Aufladen sollte von Erwachsenen durchgeführt werden. Wenn das Produkt längere Zeit nicht verwendet wird, muss es vollständig aufgeladen werden. Alle 1 Monate sollte es aufgeladen werden, um die Batterielebensdauer zu verlängern.
6. Zur Reinigung des Autos sollte ein weiches Tuch verwendet werden. Verwenden Sie keine chemischen Lösungsmittel, um die Kunststoffteile zu reinigen. Verwenden Sie kein Wasser oder Seife zur Reinigung des Autos. Das Fahren bei Regen oder Schnee kann Motor, Batterie und Schaltkreissystem beschädigen.

7. Beim Anhalten oder Lagern des Autos schalten Sie bitte die Stromversorgung ab und stellen Sie sicher, dass alle Schalter in der "STOP" oder "AUS" Position stehen.
8. Verwenden Sie keine Sicherungen, die von den Spezifikationen dieses Produkts abweichen.
9. Ändern Sie nicht die Produktstruktur und das Schaltkreissystem. Wartungs- und Reparaturarbeiten müssen unter Anleitung von Fachpersonal oder technischem Personal vor Ort durchgeführt werden.
10. Verwenden Sie das Produkt nicht für andere Zwecke. Setzen Sie die Batterie mit der richtigen Polarität ein.
11. Ein Kurzschluss des Batterie-Minuspol ist untersagt. Nicht wiederaufladbare Batterien dürfen nicht aufgeladen werden.
12. Wiederaufladbare Batterien dürfen nur unter Aufsicht von Erwachsenen aufgeladen werden.
13. Mischen Sie keine alten und neuen Batterien oder verschiedene Arten von Batterien.
14. Die leere Batterie sollte ordnungsgemäß aus dem Auto entfernt werden und Kinder dürfen nicht damit spielen.
15. Trennen Sie die Batterien vollständig, wenn sie nicht verwendet werden, und lassen Sie Kinder nicht mit ihnen spielen.

## FEHLERBEHEBUNG

Das Auto bewegt sich nicht oder schaltet sich nicht ein:	Überprüfen Sie, ob der "Power"-Schalter auf "AUS" steht.
	Überprüfen Sie, ob die Sicherung ordnungsgemäß funktioniert.
	Überprüfen Sie, ob die Batterie angeschlossen ist, überprüfen Sie die roten und schwarzen Kabel.
	Wenn das Ladegerät eingesteckt ist, wird das Auto nicht eingeschaltet. Ziehen Sie den Stecker heraus.
	Überprüfen Sie, ob der Pedalschalter ordnungsgemäß funktioniert.
	Überprüfen Sie, ob die Räder blockiert sind und sich nicht bewegen können.
Das Auto bewegt sich langsam:	Wenn die Batterie nicht vollständig aufgeladen ist, sollte sie rechtzeitig geladen werden.
	Überprüfen Sie, ob es ein Problem mit den Rädern gibt.
	Wenn das Gewicht des Fahrers die Spezifikationen überschreitet.
Die Batterie lädt nicht:	Wenn das Ladegerät defekt ist.
	Wenn die Batterie ihre Kapazität verloren hat.
	Überprüfen Sie, ob das Ladegerät und die Batterieverbinding aufgeladen sind.

**WARNUNG:**

Dieses Spielzeug enthält nicht austauschbare Batterien.

Eine Empfehlung zur Aufsicht von Erwachsenen bei jungen Kindern.

**WARNUNG:**

Um das Verletzungsrisiko zu verringern, ist eine Aufsicht durch Erwachsene erforderlich.

Verwenden Sie es niemals auf Straßen, in der Nähe von Fahrzeugen, auf oder in der Nähe von steilen Treppen, Swimmingpools oder anderen Gewässern.

Tragen Sie immer Schuhe und erlauben Sie niemals mehr als 1 Fahrer.

Verwenden Sie nur die vom Hersteller angegebenen Batterien.

Verwenden Sie nur das vom Hersteller angegebene Ladegerät.



**WARNUNG:**

Montage durch einen Erwachsenen.

Maximale Belastung: 25 kg (55 lbs)

- Dieses Spielzeug enthält nicht austauschbare Batterien.
- Wiederaufladbare Batterien dürfen nur von Erwachsenen aufgeladen werden.
- Dem Kind müssen Anweisungen zur ordnungsgemäßen Verwendung des Spielzeugs gegeben werden, insbesondere zur Verwendung eines Bremssystems.
- Es sollte daran erinnert werden, dass das Spielzeug mit Vorsicht verwendet werden sollte, da Geschicklichkeit erforderlich ist, um Stürze oder Kollisionen zu vermeiden, die dem Benutzer oder Dritten Verletzungen zufügen könnten.
- Die Batterie darf nur von einer Person ab 8 Jahren aufgeladen werden.
- Entladene Batterien müssen aus dem Spielzeug entfernt werden.

# AIYAPLAY

IN240300103V01\_UK\_DE\_ES\_IT

**370-311V70\_370-311V90**

**ES**

El manual de montaje del  
coche de batería

Norma ejecutiva:

EN71-1

EN71-2

EN71-3

EN62115

ASTM F963



Por favor, lea el manual antes de usar el producto. El manual y el embalaje contienen información importante, guárdelos adecuadamente para futuras consultas. Si no se siguen las instrucciones del manual, puede ser peligroso para su hijo. Con el fin de mejorar el producto y la calidad, podemos cambiar las partes de la estructura, apariencia, método de embalaje, método de montaje y función del producto sin previo aviso. Cuando haya alguna diferencia entre el manual y el producto, por favor, siga el producto real. Lamentamos cualquier inconveniente.

## **ADVERTENCIA:**

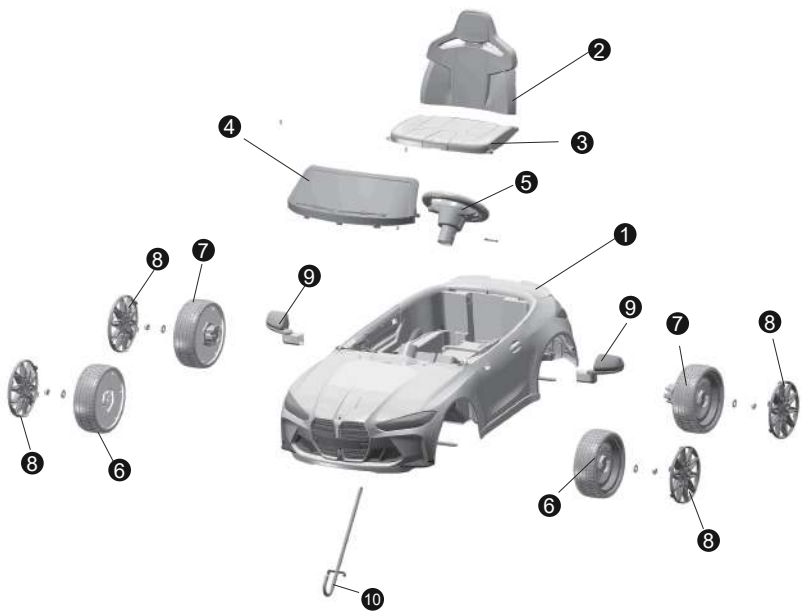
Los productos deben ser ensamblados por un adulto. Debe usarse equipo de protección. No utilizar en el tráfico. No apto para niños menores de 3 años. Peligro de asfixia por piezas pequeñas. En estado desmontado, contiene piezas pequeñas potencialmente peligrosas. Manténgalo fuera del alcance de los niños pequeños. Preste atención a los riesgos potenciales de utilizar el juguete en áreas diferentes a terrenos privados.

**IMPORTANTE, LEA DETENIDAMENTE Y GUARDE PARA FUTURAS REFERENCIAS.**

## MANUAL DE INSTRUCCIONES

No	Nombre de las piezas	CANT	Imágenes
①	Carrocería	1	
②	Respaldo	1	
③	Asiento	1	
④	Parabrisas	1	
⑤	Volante	1	
⑥	Rueda delantera	2	
⑦	Rueda trasera	2	
⑧	Cubre ruedas	4	
⑨	Espejo	2	
⑩	Eje de dirección	1	
⑪	Llave inglesa	2	
⑫	Cargador	1	
⑬	Control remoto	1	
⑭	Manual de usuario	1	





12



13

## Herramientas



Destornillador  
(no incluido)



11

Descargo de responsabilidad:

Las imágenes en esta instrucción son solo de referencia para el montaje. Por favor, consulte el producto real.

Advertencia:

Este producto no es un vehículo de transporte, debe ser utilizado bajo la supervisión de un adulto. Los padres deben asegurarse de que los niños hayan tomado las medidas de seguridad antes de usarlo.

El juguete debe usarse con precaución, ya que se requiere habilidad para evitar caídas o colisiones que puedan causar lesiones al usuario o a terceros.

## ESPECIFICACIONES DEL PRODUCTO

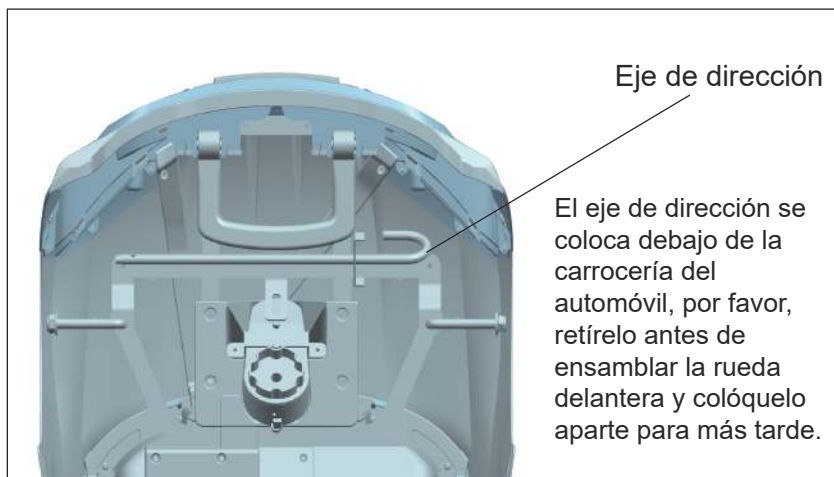
Batería	12V4.5AH
Material principal	PP
Edad recomendada	37-95 meses
Límite de peso	25kgs (55lbs)
Tamaño del producto	108*69.5*51CM
Velocidad	3-5K/H
Tiempo de funcionamiento:	45 minutos después de cargarse durante 8-12 horas, según las condiciones de uso
Cargador	Entrada AC 100-240V Salida DC 12V0.6A
Fusible	Fusible de reinicio automático

## Instrucciones de montaje

El ensamblaje del automóvil debe ser realizado por adultos.

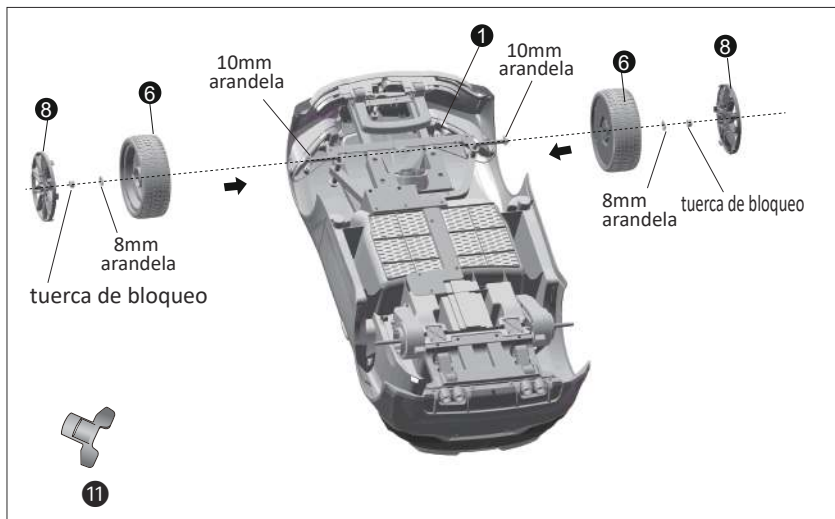
Tenga cuidado con las piezas pequeñas. Para evitar el riesgo de asfixia, mantenga a los niños alejados durante el montaje. Los niños menores de 36 meses tienen prohibido su uso.

Por favor, cuente todas las piezas cuidadosamente antes del montaje y deseche la bolsa de plástico adecuadamente. Para evitar el riesgo de asfixia, no se permite a los niños jugar con la bolsa.



### 1. Ensamblaje de la rueda delantera

Hay dos tuercas de bloqueo, dos arandelas de 8 mm y dos arandelas de 10 mm en cada lado del eje delantero. Coloque el cuerpo del automóvil boca abajo **1**, use la llave **11** para quitar la tuerca de bloqueo del eje delantero, luego retire dos arandelas de 8 mm, guárdelas para usar más tarde. No es necesario quitar dos arandelas de 10 mm. Inserte dos ruedas delanteras **6** y dos arandelas de 8 mm en el eje delantero en cada lado, use la llave **11** para fijarlas con las tuercas de bloqueo. Mientras aplica presión, bloquee las cubiertas de las ruedas **8** en las ranuras de las ruedas delanteras **6**.



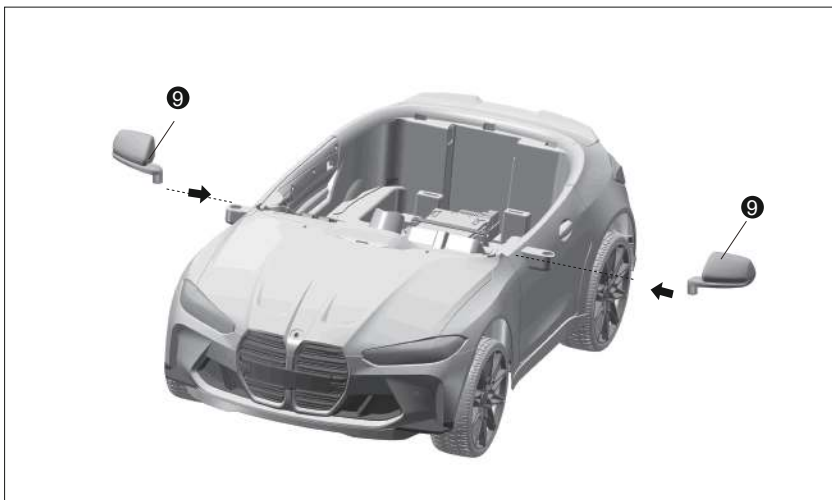
## 2. Ensamblaje de la rueda trasera

Use la llave **11** para quitar la tuerca de bloqueo del eje trasero, luego retire dos arandelas de 8 mm, guárdelas para usar más tarde. Inserte dos ruedas traseras **7** y dos arandelas de 8 mm en el eje trasero en cada lado, use la llave **11** para fijarlas con las tuercas. Mientras aplica presión, bloquee las cubiertas de las ruedas **8** en las ranuras de las ruedas traseras **7**.



### 3. Ensamblaje del espejo:

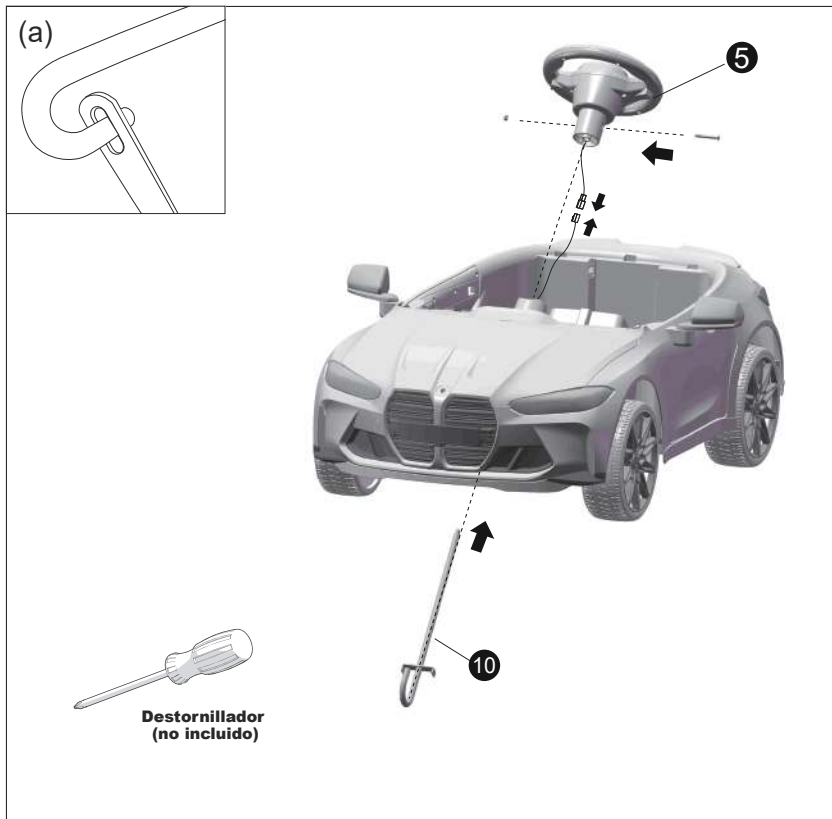
Inserte los dos espejos **9** en la posición correspondiente de la carrocería del automóvil, empújelos hasta que encajen en su lugar.



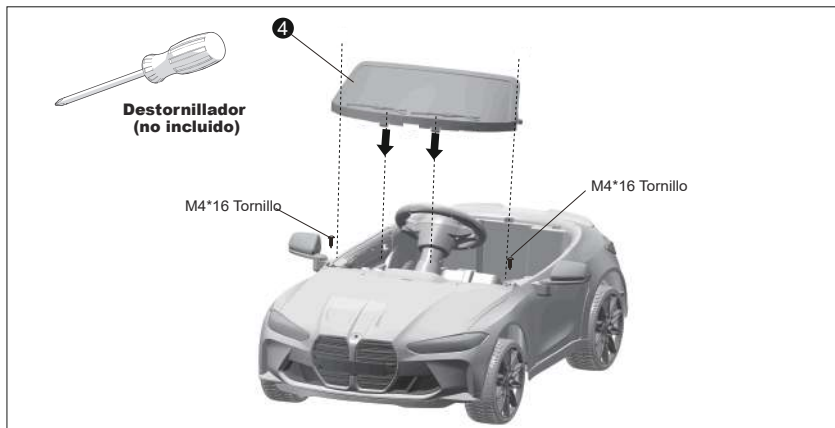
### 4. Ensamblaje del eje de dirección:

A. Inserte el eje de dirección **10** en la carrocería del automóvil, asegúrese de que el gancho del eje de dirección **10** pase por el agujero del eje delantero como se muestra en la imagen (a).

B. Use un destornillador para quitar el tornillo y la tuerca de bloqueo del volante **5**, guárdelos para usar más tarde. Conecte el cable del volante con el cable que sale de la columna de dirección y empareje los conectores. Alinee el volante **5** con el eje de dirección **10**, haga coincidir los agujeros en el volante **5** y los agujeros del eje de dirección **10**, use un destornillador para fijarlos con el tornillo y la tuerca.

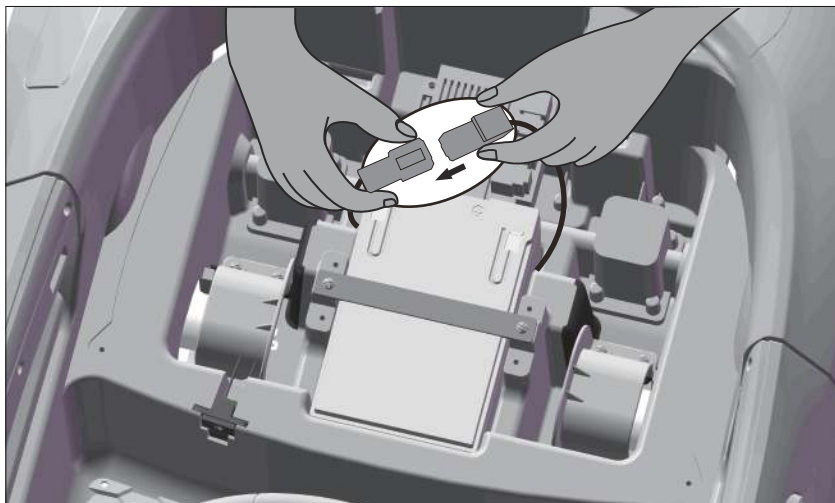


5. Ensamblaje del parabrisas: Usando el destornillador, retire dos tornillos M4\*16 de la carrocería del automóvil, guárdelos para usar más tarde. Inserte el parabrisas 4 en la posición correspondiente de la carrocería del automóvil, empújelo hasta que encaje en su lugar, apriete los dos tornillos M4\*16 usando el destornillador.

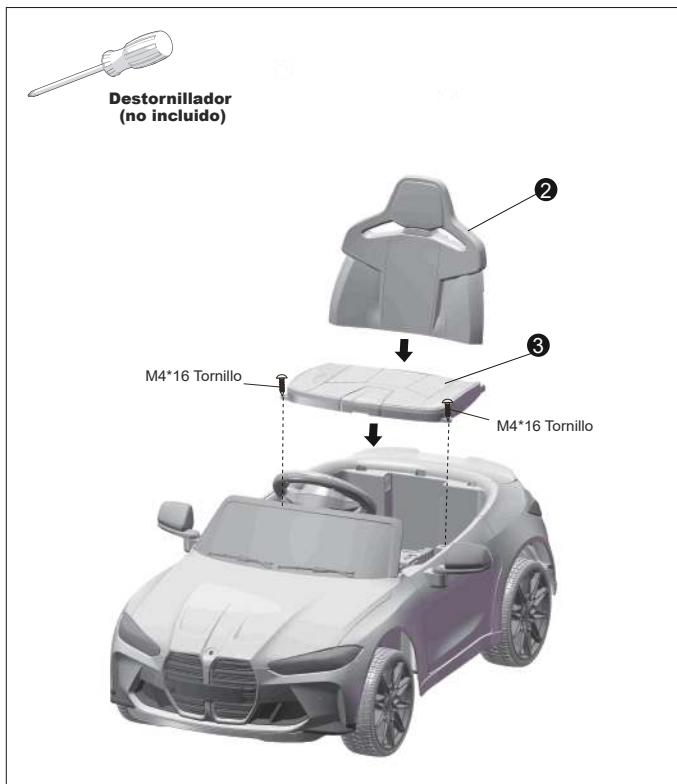


#### 6. Conexión de la batería:

Haga coincidir los dos enchufes rojos para conectar la alimentación.



7. Ensamblaje del asiento: Hay dos tornillos M4\*16 en el asiento. Inserte el respaldo ② en la posición correspondiente de la carrocería del automóvil, sujete el asiento ③ a la carrocería del automóvil, apriete los dos tornillos M4\*16 usando el destornillador.



## ADVERTENCIA DE SEGURIDAD

1. La instalación y carga de los vehículos debe realizarse bajo la supervisión de un adulto en todo momento.
2. Este producto está limitado a niños de 37 a 95 meses de edad, con un límite de peso de 25 kg (55 lbs).
3. Este producto es ideal para conducir en una superficie dura y plana.
4. Está estrictamente prohibido en las calles o la carretera, los baches y las pendientes.
5. Evite conducir en la arena, el césped o terrenos irregulares.
6. Los niños deben recibir instrucciones completas sobre cómo operar el automóvil. Una operación incorrecta puede causar daños o accidentes.



7. Mientras los niños conducen, es deber de los padres supervisar en todo momento para evitar accidentes.
8. Evite conducir bajo la lluvia o en áreas inundadas. Esto puede dañar el motor, el circuito y otros componentes eléctricos.
9. Los padres deben inspeccionar regularmente el cargador de batería para asegurarse de que los cables, enchufes, cubiertas y otros componentes no estén dañados. Por favor, deje de usarlo si encuentra algún daño, hasta que esté completamente reparado.
10. Para garantizar la vida útil y la seguridad del producto, evite dañar el cargador, la batería o el circuito eléctrico. El automóvil debe utilizar la configuración predeterminada de un cargador dedicado y una fuente de alimentación.
11. Las baterías recargables deben retirarse del juguete antes de cargarlas.
12. Cuando no se use el producto, corte la alimentación del producto y coloque todos los interruptores en posición de "parada" o "apagado".
13. El cargador proporcionado no es un juguete. Debe mantenerse alejado de los niños.
14. Está estrictamente prohibido usar piezas que no sean proporcionadas por el fabricante.

## DIRECCIÓN DE USO

1. Antes de usarlo, asegúrese de completar todos los siguientes pasos.
    - Siga las instrucciones para completar la instalación del automóvil, el enchufe de la batería está conectado y la fuente de alimentación está encendida.
    - Asegúrese de que todas las posiciones que requieren tornillos estén bien sujetas.
    - Los padres o tutores deben asegurarse de que los niños hayan tomado las medidas de seguridad antes de usarlo.
- Para reducir el riesgo durante el uso, preste atención a lo siguiente: cuando conduzca el automóvil, el niño debe sentarse en el asiento del automóvil. Los adultos o los padres deben tener más cuidado y guiar al niño mientras conduce y no pueden alejarse.
- Preste atención al entorno de conducción y conduzca en una superficie dura y plana, no en un entorno inseguro.

Por ejemplo:

- a. Zanjas, orillas de los ríos, pendientes o terrenos irregulares;
- b. Carretera u otros lugares para conducir y caminar;
- c. Obstáculos que son fáciles de golpear y causar lesiones;
- d. Otras zonas inseguras.

Para evitar accidentes, use solo durante el día o en lugares bien iluminados, evite usarlo en condiciones de baja visibilidad.

## FUSIBLE

Este automóvil tiene un fusible de reinicio automático. Si el automóvil se detiene repentinamente durante la conducción, esto se debe principalmente a que la corriente instantánea excede los límites, lo que hace que el fusible se dispare. Simplemente deténgase durante aproximadamente 8 segundos y este fusible se restablecerá. Luego encienda nuevamente el interruptor de encendido. Para evitar que el fusible se dispare y corte la alimentación, preste atención a las siguientes precauciones.

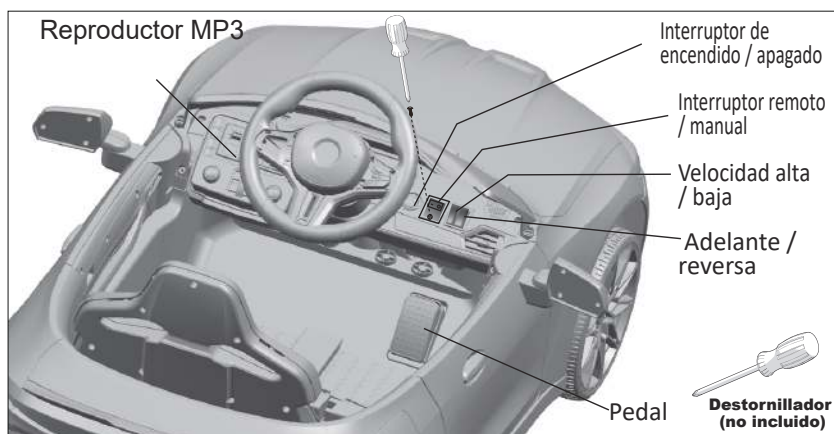
Este producto no puede estar sobrecargado, la carga máxima es de 25 kg (55 lbs).

No arrastre nada detrás del producto.

No permita que el agua u otros líquidos entren en las baterías y otros componentes eléctricos.

No cambie el sistema de circuito y la estructura del producto.

2. Operación (diagrama de referencia de funciones)

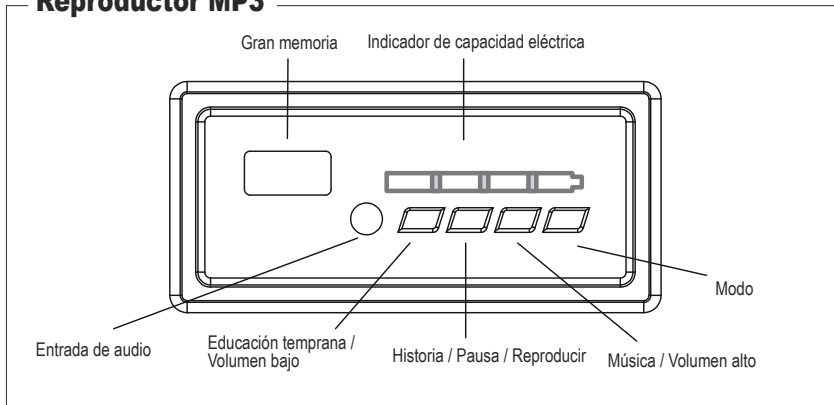


Instrucciones del interruptor remoto / manual:

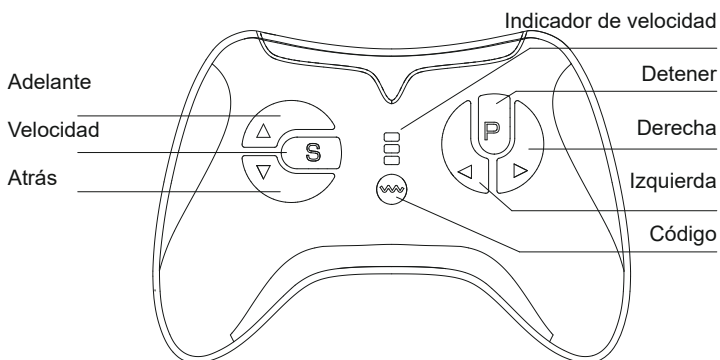
Hay un tornillo en la cubierta del interruptor remoto / manual, use un destornillador para quitar el tornillo y abrir la cubierta.

Este interruptor puede lograr la función remota o manual. Gire el interruptor a la posición "I" y la función de control se puede utilizar, el coche solo puede ser operado por control remoto, el pedal no se puede usar. Gire el interruptor a la posición "O" y se puede utilizar la función manual, el coche solo se puede operar mediante el pedal, el control remoto no se puede usar. Siempre opere este interruptor de forma adulta.

## Reproductor MP3



## Instrucciones del control remoto



## Instrucciones del control remoto de 2.4G

Para la primera vez, se necesita hacer el código. Este producto tiene una función de memoria, la próxima vez que se reemplace la batería, no es necesario volver a hacer coincidir el código.

①. Mantenga presionado el botón "M" durante más de tres segundos, hasta que el primer LED parpadee.

②. Encienda la fuente de alimentación del cuerpo, el primer LED largo se encenderá para indicar que el código se ha realizado correctamente.

③. El control remoto entrará automáticamente en modo de espera después de 10 segundos sin operar, presione cualquier tecla para despertarlo.

④. Descripción de las teclas: "△" Adelante, "▽" Atrás, "◁" Izquierda, "▷" Derecha, "S" Velocidad, "P" Detener.

Presione la tecla "S" para ajustar la velocidad, una luz es baja, dos luces son velocidad media, tres luces son alta velocidad, el retroceso del automóvil solo tiene velocidad media.

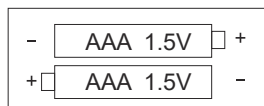
Presione la tecla "P" para mantener los frenos, el indicador parpadeará completamente, presione nuevamente el botón de freno para levantar el freno.

### **ADVERTENCIA:**

1. Cuando opere el automóvil, la distancia entre el automóvil en el que está sentado el niño y el control remoto operado por adultos no debe ser superior a 10 metros.
2. El control remoto solo debe ser utilizado por adultos, mantenerlo alejado de los niños.
3. Antes de usar el control remoto, lea cuidadosamente el manual de instrucciones y opere primero el automóvil vacío, solo cuando sepa cómo operar, puede usar el control remoto con el niño en el automóvil.
4. Este producto no debe usarse en carreteras de tráfico y lugares con agua y obstáculos.
5. Para evitar dañar el circuito, mantenga el control remoto alejado de la humedad y la lluvia.
6. No mezcle pilas viejas y nuevas ni pilas secas de diferentes marcas.

7. Para evitar dañar el control remoto, saque las pilas si no va a usar el control remoto durante mucho tiempo para evitar fugas de batería y corrosión del circuito.
8. Evite dejar caer el control remoto durante su uso.
9. Instale las pilas con la polaridad correcta para evitar un cortocircuito de la batería.
10. La carga debe ser realizada por adultos. Las pilas no recargables no se pueden cargar.
11. La batería agotada debe ser retirada del juguete correctamente y evitar que los niños jueguen con ella.
12. Saque la batería si no se va a usar durante mucho tiempo, maneje adecuadamente la batería y evite que los niños jueguen con ella.
13. Si la distancia del control remoto es inferior a 3 metros, es posible que la batería en el control remoto se haya agotado, por favor cambie 2 pilas AAA alcalinas.

Cómo insertar las pilas: Use un destornillador para aflojar el tornillo en la parte trasera del control remoto, abra la tapa de las pilas, instale dos pilas AAA 1.5V alcalinas según el diagrama (las pilas no están incluidas), luego cierre la tapa y fjela con el tornillo.



## MODO DE CARGA

- Por razones de seguridad, la carga debe ser realizada por adultos.
  - Antes del primer uso, conecte los dos enchufes rojos debajo del asiento, úselo solo después de cargarlo durante 8-12 horas.
  - El enchufe de carga se encuentra cerca del asiento, siga las instrucciones para cargar la batería.
  - Si el automóvil ha disminuido la velocidad, debe cargarse durante 8-12 horas, máximo 20 horas.
1. Inserte primero el enchufe del cargador en el puerto de carga. (El automóvil no puede usarse).
  2. Luego conecte el cargador al enchufe de alimentación.



## **ADVERTENCIA:**

1. El juguete debe ser ensamblado por un adulto. En estado desmontado, contiene piezas pequeñas y puntiagudas potencialmente peligrosas, por lo que debe mantenerse fuera del alcance de los niños.
2. PELIGRO DE ASFIXIA - Contiene piezas pequeñas.
3. No apto para niños menores de 3 años.
4. Siempre use zapatos.
5. RIESGO DE INCENDIO. No anular. Reemplazar solo con un dispositivo de protección de circuito.
6. Debe usarse equipo de protección. No utilizar en carreteras.

## **Atención:**

- Solo se puede utilizar el cargador y la batería según las regulaciones del fabricante.
- No mezcle pilas viejas y nuevas o diferentes tipos de pilas.
- Los terminales de la batería no deben estar en cortocircuito.
- No abra la batería ni el cargador.
- No invierta la polaridad de la batería.
- Antes de cargar, verifique si el cargador, la batería y el enchufe están en buen estado. Si encuentra alguna pieza rota, debe dejar de usarlo de inmediato y no lo use hasta que esté completamente reparado.

- La batería estará un poco caliente cuando se esté cargando, esto es normal. Si no es así, puede ser causado por un cortocircuito del cargador o de la placa de circuito.
- Se debe utilizar una placa de presión para fijar la batería.
- Las baterías agotadas deben ser manejadas por adultos, retire la batería agotada del juguete y recíclela adecuadamente, no la deseche de manera arbitraria.
- Si el producto va a ser almacenado sin usar durante mucho tiempo, debe cargarse por completo y cargarlo cada 3 meses, para asegurar la vida útil de la batería.
- El cargador y la batería no son juguetes. Manténgalos alejados de los niños.

## **MANTENIMIENTO Y SERVICIO**

1. Antes de usar, los padres deben verificar si todas las partes como las pilas, el cargador, los cables, el enchufe, la carrocería y otras partes están en buen estado, verificar si los tornillos están flojos y si hay riesgos potenciales de seguridad. Cualquier parte dañada encontrada debe ser reparada antes de usar.
2. Después de usar el producto durante un período de tiempo, aplique una pequeña cantidad de aceite lubricante a las partes móviles para evitar el desgaste y la oxidación.
3. Mantenga el automóvil alejado del fuego y la luz solar directa. Colóquelo de forma estable, no boca abajo. El automóvil debe ser almacenado en interiores o en exteriores bajo cubierta.
4. El automóvil debe mantenerse alejado de elementos calientes, como estufas o calentadores, para evitar que las partes de plástico se derritan. Durante la carga, el automóvil debe mantenerse alejado de materiales inflamables para evitar incendios.
5. Cargue a tiempo después de usar. La carga debe ser realizada por adultos. Si el producto va a quedarse sin usar durante mucho tiempo, debe cargarse por completo. Cárguelo cada mes para prolongar la vida útil de la batería.
6. Use un paño suave para limpiar el automóvil. No use solventes químicos para limpiar las piezas de plástico. No use jabón ni agua para limpiar el automóvil. El agua puede dañar el motor, la batería y el sistema de circuito al conducir en clima lluvioso o nevado.

7. Al detener o almacenar el automóvil, corte la energía y asegúrese de que todos los interruptores estén en la posición "STOP" o "OFF".
8. No use fusibles diferentes a las especificaciones de este producto.
9. No cambie la estructura y el sistema de circuito del producto. El mantenimiento y las reparaciones deben realizarse bajo la guía de personal profesional o técnico.
10. No use el producto para otros fines. Coloque la batería en la polaridad correcta.
11. Se prohíbe el cortocircuito negativo de la batería. Las pilas no recargables no se pueden cargar.
12. Las pilas recargables solo pueden ser cargadas bajo la supervisión de un adulto.
13. No mezcle pilas viejas y nuevas ni diferentes tipos de pilas.
14. La batería descargada debe retirarse del automóvil adecuadamente y no permitir que los niños jueguen con ella.
15. Desconecte completamente las pilas cuando no estén en uso y no permita que los niños jueguen con ellas.

## SOLUCIÓN DE PROBLEMAS

El automóvil no se mueve ni se enciende:	Verifique si el interruptor de "encendido" está en la posición "APAGADO".
	Verifique si el fusible no está funcionando correctamente.
	Verifique si la batería no está conectada, compruebe los cables rojo y negro.
	Si el cargador está conectado, el automóvil no se encenderá. Desconecte el cargador.
	Verifique si el interruptor del pedal no está funcionando correctamente.
	Verifique si las ruedas están atascadas y no pueden moverse.
El automóvil se mueve lentamente:	Si la batería no está completamente cargada. Necesita ser cargada a tiempo.
	Si hay un problema con las ruedas.
	Si el peso del conductor excede las especificaciones.
La batería no se carga:	Si el cargador está funcionando incorrectamente.
	Si la batería ha perdido su capacidad.
	Si hay problemas con la conexión entre el cargador y la batería.



**ADVERTENCIA:**

Este juguete contiene pilas no reemplazables.

Se recomienda la supervisión de un adulto para niños pequeños.

**ADVERTENCIA:**

Se requiere supervisión de adultos para reducir el riesgo de lesiones.

Nunca use en vías públicas, cerca de vehículos, en pendientes pronunciadas, piscinas u otras masas de agua.

Use siempre zapatos y nunca permita que más de 1 persona la use.

Use solo la batería especificada por el fabricante.

Use solo el cargador especificado por el fabricante.



**ADVERTENCIA:**

Ensamblado por un adulto.

Capacidad máxima: 25 kg (55 lbs).

- Este juguete contiene pilas no reemplazables.
- Las baterías recargables solo deben ser cargadas por un adulto.
- Las instrucciones deben ser dadas al niño sobre el uso adecuado del juguete, especialmente sobre el uso de cualquier sistema de frenado.
- Recuerde que el juguete debe usarse con precaución, ya que se requiere habilidad para evitar caídas o colisiones que puedan causar lesiones al usuario o a terceros.
- La batería solo debe ser cargada por personas mayores de 8 años.
- Las pilas agotadas deben ser retiradas del juguete.

# AIYAPLAY

IN240300103V01\_UK\_DE\_ES\_IT

**370-311V70\_370-311V90**

IT

Il manuale di montaggio della  
macchina a batteria

Standard esecutivo:

EN71-1

EN71-2

EN71-3

EN62115

ASTM F963



Si prega di leggere il manuale prima di utilizzare il prodotto. Il manuale e la confezione contengono informazioni importanti, si prega di conservarli correttamente per riferimenti futuri. Se non si segue correttamente le istruzioni nel manuale, potrebbe essere pericoloso per il vostro bambino.

Al fine di migliorare il prodotto e la qualità, potremmo modificare le parti della struttura, l'aspetto, il metodo di confezionamento, il metodo di montaggio e la funzione del prodotto senza alcun preavviso. Quando c'è una differenza tra il manuale e il prodotto effettivo, si prega di fare riferimento al prodotto effettivo. Ci scusiamo per eventuali inconvenienti.



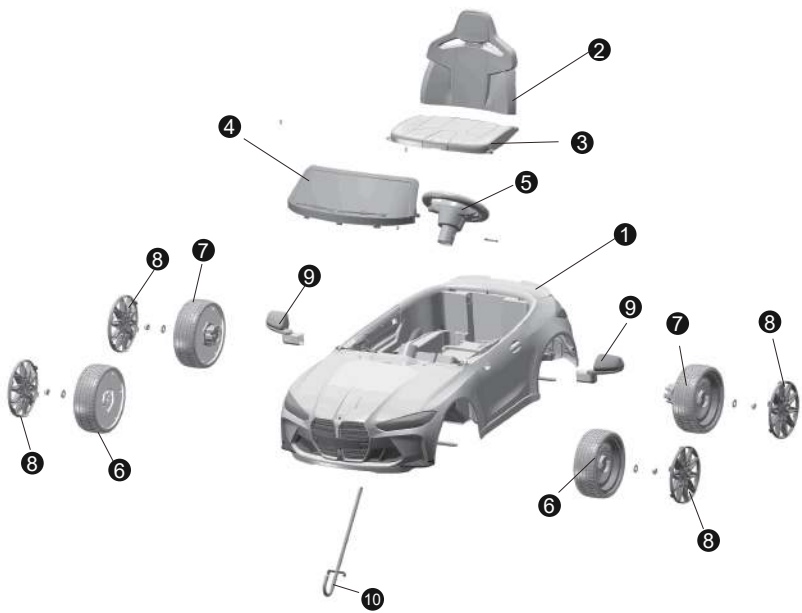
## **ATTENZIONE:**

I prodotti devono essere assemblati da un adulto. Deve essere indossata l'attrezzatura protettiva. Non utilizzare in strade trafficate. Non adatto a bambini di età inferiore ai 3 anni. Rischio di soffocamento - parti piccole. In stato non assemblato, contiene parti piccole potenzialmente pericolose. Si prega di tenerlo fuori dalla portata dei bambini piccoli. Prestare attenzione ai potenziali rischi derivanti dall'uso del giocattolo in aree diverse da terreni privati.

**IMPORTANTE, LEGGERE E CONSERVARE  
QUESTO MANUALE D'ISTRUZIONE PER UN USO FUTURO.**

## **MANUALE DI ISTRUZIONI**

NUM.	Nome delle parti	QTY	Immagini
①	Carrozzeria	1	
②	Schienale	1	
③	Sedile	1	
④	Parabrezza	1	
⑤	Volante	1	
⑥	Ruota anteriore	2	
⑦	Ruota posteriore	2	
⑧	Coprimozzo	4	
⑨	Specchietto	2	
⑩	Asse di sterzo	1	
⑪	Chiave inglese	2	
⑫	Caricatore	1	
⑬	Telecomando	1	
⑭	Manuale dell'utente	1	



**Strutture:**



Cacciavite  
(non incluso)



11

#### Disclaimer:

Le immagini in queste istruzioni sono solo per riferimento durante il montaggio. Fare riferimento al prodotto effettivo.

#### Avvertenza:

Questo prodotto non è un veicolo per il trasporto, dovrebbe essere utilizzato sotto la supervisione di un adulto. I genitori devono assicurarsi che i bambini abbiano preso le misure di sicurezza prima dell'uso.

Il giocattolo dovrebbe essere usato con cautela poiché richiede abilità per evitare cadute o collisioni che possono causare lesioni all'utilizzatore o a terzi.

## SPECIFICHE DEL PRODOTTO

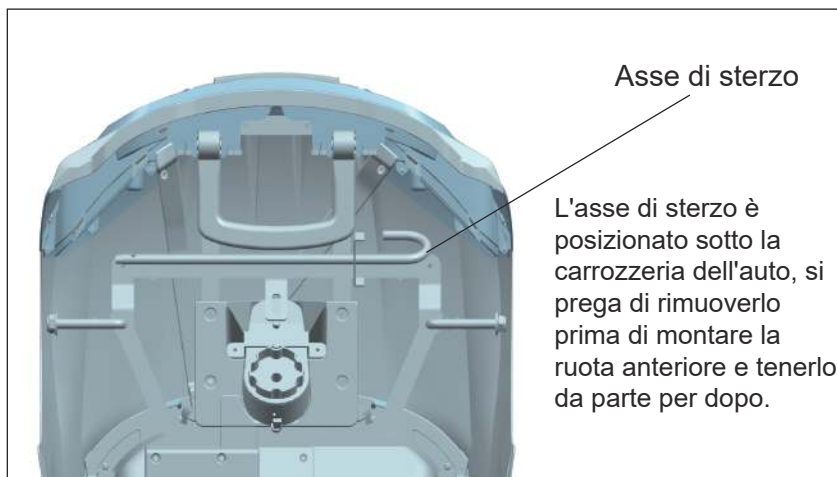
Batteria	12V4.5AH
Materiale principale	PP
Età consigliata	37-95 mesi
Limite di peso	25kgs (55lbs)
Dimensioni del prodotto	108*69.5*51CM
Velocità	3-5K/H
Durata	45 minuti dopo 8-12 ore di ricarica, a seconda delle condizioni di guida
Caricatore	Ingresso AC 100-240V Uscita DC 12V0.6A
Fusibile	Fusibile a ripristino automatico

## Istruzioni di montaggio

Il montaggio dell'auto dovrebbe essere effettuato dagli adulti.

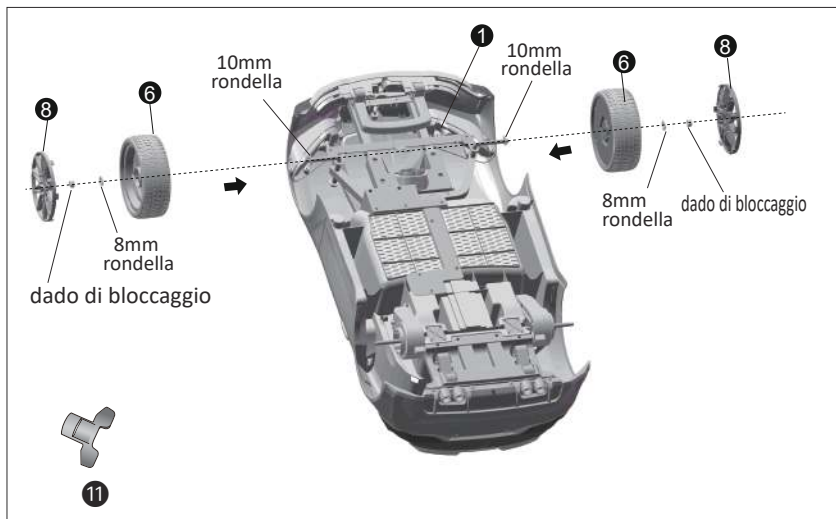
Fare attenzione alle piccole parti. Per evitare il rischio di soffocamento, tenere i bambini lontani durante il montaggio. I bambini sotto i 36 mesi sono vietati dall'uso.

Si prega di contare tutte le parti attentamente prima del montaggio e di smaltire correttamente il sacchetto di plastica. Per evitare il rischio di soffocamento, ai bambini non è permesso giocare con il sacchetto.



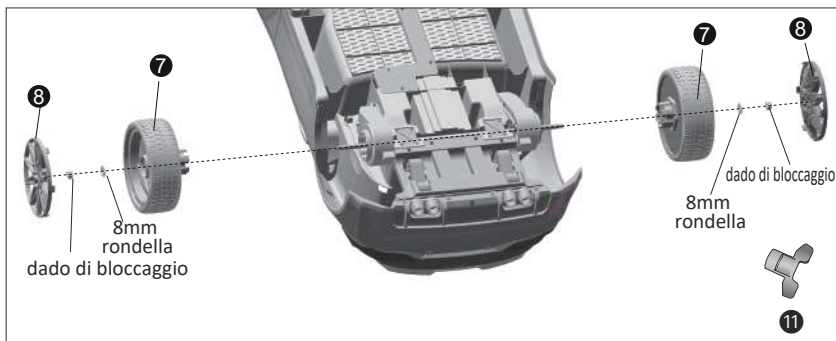
### 1. Montaggio delle ruote anteriori

Ci sono due dati di bloccaggio, due rondelle da 8 mm e due rondelle da 10 mm su ogni lato dell'asse anteriore. Capovolgi la carrozzeria dell'auto **1**, usa la chiave **11** per rimuovere i dati di bloccaggio dall'asse anteriore, quindi rimuovi due rondelle da 8 mm, tienile per dopo. Non è necessario rimuovere due rondelle da 10 mm. Inserisci due ruote anteriori **6** e due rondelle da 8 mm nell'asse anteriore su ogni lato, usa la chiave **11** per fissarle con i dati di bloccaggio. Mentre applichi pressione, blocca i copri ruota **8** nelle scanalature delle ruote anteriori **6**.



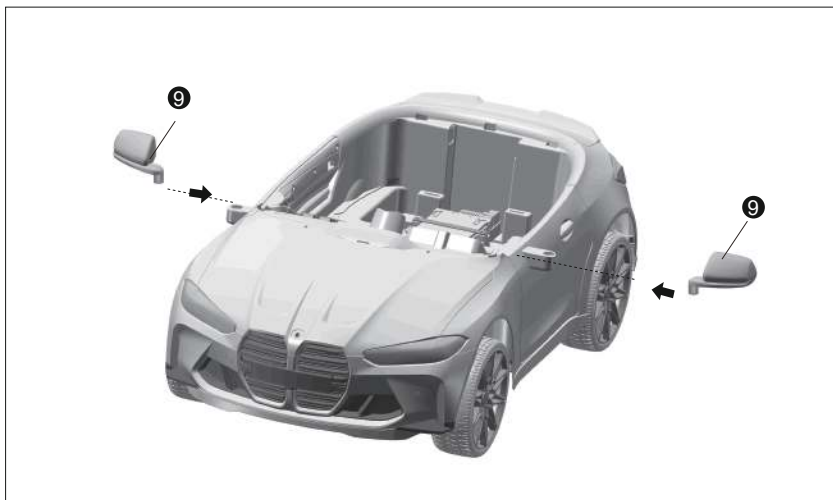
## 2. Montaggio delle ruote posteriori

Usa la chiave **11** per rimuovere i dati di bloccaggio dall'asse posteriore, quindi rimuovi due rondelle da 8 mm, tienile per dopo. Inserisci due ruote posteriori **7** e due rondelle da 8 mm nell'asse posteriore su ogni lato, usa la chiave **11** per fissarle con i dadi. Mentre applichi pressione, blocca i copriruota **8** nelle scanalature delle ruote posteriori **7**.



### 3. Montaggio degli specchietti

Inserisci due specchietti **9** nella posizione corrispondente sulla carrozzeria dell'auto, spingili in posizione.

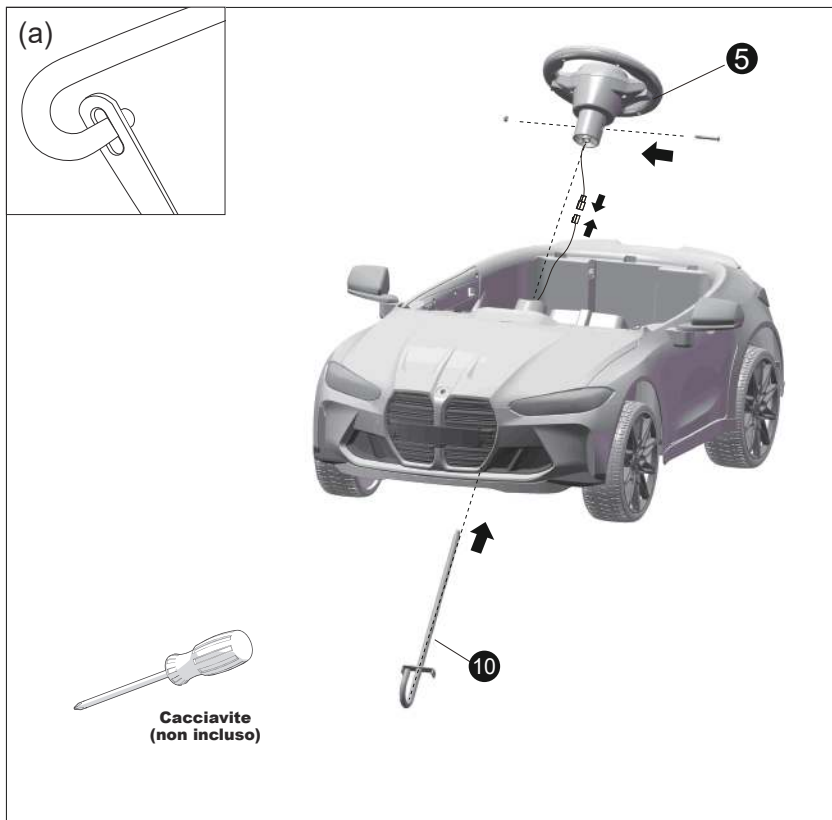


### 4. Montaggio dell'asse di sterzo

A. Inserisci l'asse di sterzo **10** nella carrozzeria dell'auto, assicurati che il gancio sull'asse di sterzo **10** passi attraverso il foro sull'asse anteriore come mostrato in figura (a).

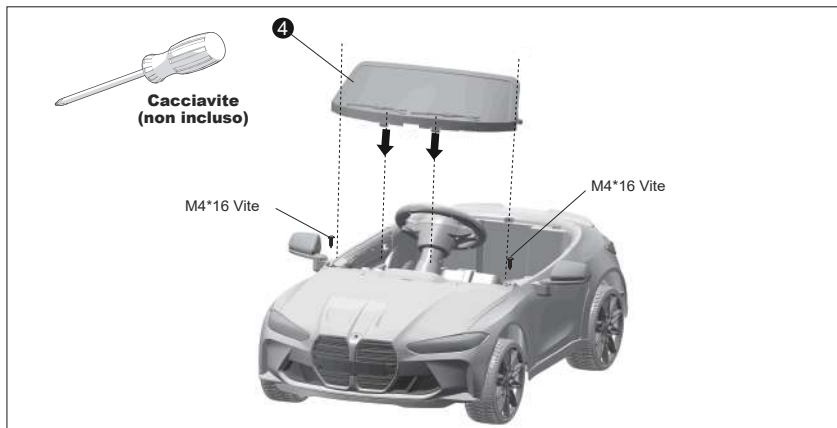
B. Usa un cacciavite per rimuovere la vite e il dado di bloccaggio dal volante **5**, tienili per dopo. Collega il cavo del volante al cavo che esce dalla colonna dello sterzo e abbinalo ai connettori. Allinea il volante **5** con l'asse di sterzo **10**, abbinare i fori sul volante **5** e i fori sull'asse di sterzo **10**, usa un cacciavite per fissarli con la vite e il dado.





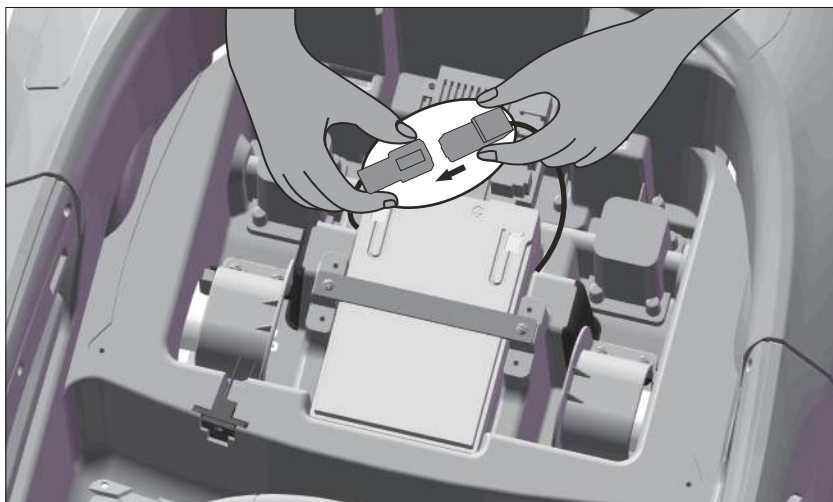
## 5. Montaggio del parabrezza

Utilizzando il cacciavite, rimuovi due viti M4 \* 16 dalla carrozzeria dell'auto, mettile da parte per dopo. Inserisci il parabrezza 4 nella posizione corrispondente sulla carrozzeria dell'auto, spingilo in posizione, stringi due viti M4 \* 16 utilizzando il cacciavite.



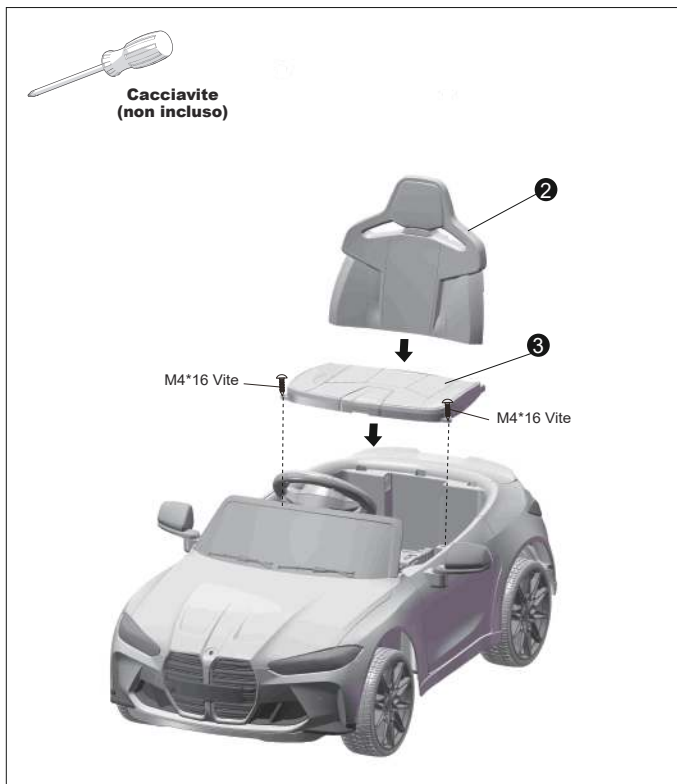
#### 6. Connessione della batteria

Corrispondi due spine rosse per collegare l'alimentazione.



#### 7. Montaggio del sedile

Sul sedile ci sono due viti M4 \* 16. Inserisci lo schienale **2** nella posizione corrispondente sulla carrozzeria dell'auto, attacca il sedile **3** alla carrozzeria dell'auto, stringi le due viti M4 \* 16 utilizzando il cacciavite.



## AVVERTENZA DI SICUREZZA

1. L'installazione e la ricarica del veicolo devono essere supervisionate sempre da un adulto.
2. Questo prodotto è limitato ai bambini dai 37 ai 95 mesi, con un limite di peso di 25 kg (55 lb).
3. Questo prodotto è ideale per essere guidato su una superficie dura e piana.
4. È strettamente vietato utilizzarlo in strade, buche e pendenze.
5. Evitare di guidare sulla sabbia, sull'erba o su terreni sconnessi.
6. Ai bambini devono essere date istruzioni complete sull'uso dell'auto. Un uso improprio può causare danni o incidenti.

7. Mentre i bambini guidano, è compito dei genitori supervisionare in ogni momento per evitare incidenti.
8. Evitare di guidare sotto la pioggia o su strade allagate. Questo può danneggiare il motore, il circuito e altri componenti elettrici.
9. I genitori devono ispezionare regolarmente il caricatore della batteria per assicurarsi che i cavi, i connettori e gli altri componenti non siano danneggiati. Si prega di smettere di usarlo se si riscontrano danni, fino a quando non viene completamente riparato.
10. Per garantire la durata e la sicurezza del prodotto, evitare di danneggiare il caricatore, la batteria o il circuito elettrico, l'auto deve utilizzare la configurazione predefinita di un caricabatterie dedicato e un'alimentazione.
11. Le batterie ricaricabili devono essere rimosse dal giocattolo prima della ricarica.
12. Quando il prodotto non viene utilizzato, si prega di spegnere l'alimentazione del prodotto e posizionare tutti gli interruttori nella posizione "STOP" o "OFF".
13. Il caricatore fornito non è un giocattolo. Deve essere tenuto fuori dalla portata dei bambini.
14. Vietato l'uso di parti non fornite dal produttore.

## ISTRUZIONI PER L'USO

1. Prima di utilizzarlo, assicurarsi che siano stati eseguiti tutti i seguenti lavori.
  - Seguire le istruzioni per completare il montaggio dell'auto, il connettore della batteria è stato collegato, l'alimentazione è stata accesa.
  - Assicurarsi che tutte le posizioni che richiedono le viti siano fissate saldamente.
  - I genitori o il tutore devono assicurarsi che i bambini abbiano adottato le misure di sicurezza prima dell'uso.

Per ridurre il rischio durante l'uso, prestare attenzione ai seguenti punti: quando si guida l'auto, il bambino dovrebbe sedersi sul sedile dell'auto.

Gli adulti o i genitori devono prestare maggiore attenzione e dare indicazioni quando il bambino guida e non possono allontanarsi.

Prestare attenzione all'ambiente di guida e guidare su una superficie dura e piana, non in ambienti insicuri.

Per esempio:

- a. Fossati, riva del fiume, pendenza o terreno irregolare;
- b. Strade o altri luoghi per la guida e il transito;
- c. Ostacoli che possono essere facilmente colpiti e causare lesioni;
- d. Altre zone non sicure.

Per evitare incidenti, utilizzare solo durante il giorno o in luoghi luminosi, evitare di utilizzare in condizioni di scarsa visibilità.

## FUSIBILE

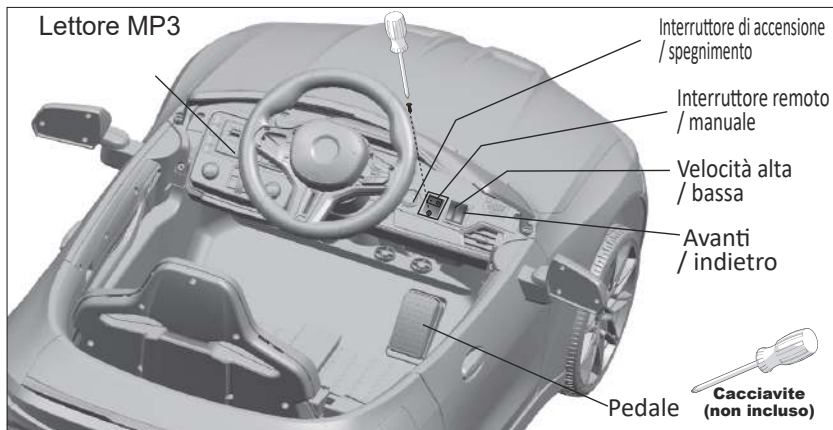
Questa macchina ha un fusibile auto-riarmabile, se l'auto si ferma improvvisamente durante la guida, è principalmente causato da una corrente istantanea che supera il valore nominale, facendo saltare il fusibile. Basta interrompere il funzionamento per circa 8 secondi e il fusibile si ripristinerà. Quindi riaccendere l'interruttore di alimentazione. Per evitare che il fusibile scatti e interrompa l'alimentazione, prestare attenzione ai seguenti punti.

Questo prodotto non può essere sovraccaricato, il carico massimo è di 25 kg (55 lb). Non trascinare nulla dietro il prodotto.

Non far entrare acqua o altri liquidi nelle batterie e negli altri componenti elettrici.

Non modificare il sistema elettrico e la struttura del prodotto.

2. Operazione (schema di riferimento delle funzioni)

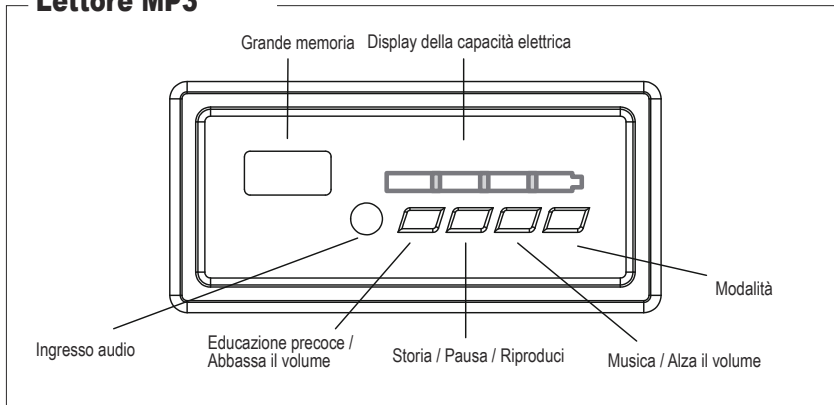


Istruzioni per l'interruttore remoto / manuale:

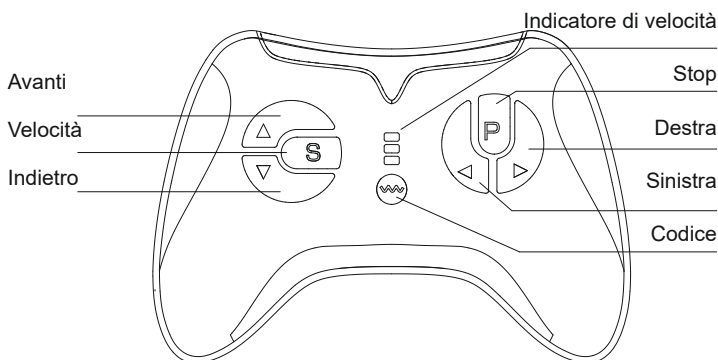
C'è una vite sulla copertura dell'interruttore remoto / manuale, rimuovi la vite e apri la copertura.

Questo interruttore può essere utilizzato per la funzione remota o manuale. Sposta l'interruttore sulla posizione "I" per utilizzare la funzione di controllo remoto, in questo modo l'auto può essere controllata solo tramite il telecomando, il pedale non può essere usato. Sposta l'interruttore sulla posizione "O" per utilizzare la funzione manuale, in questo modo l'auto può essere controllata solo tramite il pedale, il telecomando non può essere usato. Questo interruttore deve sempre essere utilizzato da un adulto.

## Lettores MP3



## Istruzioni per il telecomando



## Istruzioni per il telecomando 2.4G

La prima volta è necessario effettuare una codifica, questo prodotto ha una funzione di memoria, la prossima volta che si sostituisce la batteria, non è necessario abbinare nuovamente il codice.

- ① Premere a lungo il pulsante "M" per più di tre secondi, fino a quando il primo LED lampeggia.
- ② Accendere l'alimentazione del veicolo, il primo LED si accenderà a lungo per indicare il successo del codice.
- ③ Il telecomando passerà automaticamente in modalità standby dopo 10 secondi di inattività. Premere un tasto qualsiasi per riattivarlo.
- ④ Descrizione dei tasti: "△" Avanti, "▽" Indietro, "◁" Sinistra, "▷" Destra, "S" Velocità, "P" Stop.

Premere il tasto "S" per impostare la velocità. Una luce è bassa, due luci sono di velocità media, tre luci sono di alta velocità, la retromarcia dell'auto avviene solo a velocità media.

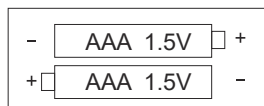
Premere il tasto "P" per attivare il freno. L'indicatore lampeggerà completamente. Premere nuovamente il pulsante del freno per disattivare il freno.

### **AVVERTENZA:**

1. Durante il funzionamento dell'auto, la distanza tra l'auto in cui si trova il bambino e il telecomando azionato dagli adulti non deve superare i 10 metri.
2. Il telecomando è solo per uso da parte degli adulti, tenerlo lontano dai bambini.
3. Prima di utilizzare il telecomando, leggere attentamente il manuale di istruzioni e utilizzare l'auto vuota per familiarizzare con le modalità di funzionamento. Si può utilizzare il telecomando con il bambino nell'auto solo dopo averne compreso il funzionamento.
4. Questo prodotto non deve essere utilizzato su strade pubbliche o in luoghi con acqua e ostacoli.
5. Per evitare danni al circuito, tenere il telecomando lontano da ambienti umidi e dalla pioggia.
6. Non mescolare batterie vecchie e nuove o batterie secche di diverse marche.

7. Per evitare di danneggiare il telecomando, si prega di togliere le batterie se non si utilizza il telecomando per lungo tempo per evitare perdite della batteria e corrosione del circuito.
8. Evitare di far cadere il telecomando durante l'uso.
9. Installare le batterie con la polarità corretta per evitare cortocircuiti delle batterie.
10. La ricarica deve essere eseguita da adulti. Le batterie non ricaricabili non possono essere caricate.
11. Le batterie esaurite devono essere rimosse correttamente dal giocattolo e tenute fuori dalla portata dei bambini.
12. Rimuovere la batteria se non utilizzata per lungo tempo, gestire correttamente la batteria e tenere fuori dalla portata dei bambini.
13. Se la distanza del telecomando è inferiore a 3 metri, la batteria nel telecomando potrebbe essere scarica, si prega di sostituire 2 batterie alcaline AAA.

Come inserire le batterie: utilizzare un cacciavite per allentare la vite sul retro del telecomando, aprire il coperchio delle batterie e installare due batterie alcaline AAA da 1,5V secondo il diagramma (le batterie non sono incluse), quindi chiudere il coperchio delle batterie e fissarlo con la vite.



## MODO DI RICARICA

- Per motivi di sicurezza, la ricarica deve essere eseguita da adulti.
  - Prima dell'uso, collegare i due connettori rossi sotto il sedile, utilizzarlo solo dopo averlo caricato per 8-12 ore.
  - La presa di ricarica si trova vicino al sedile, seguire le istruzioni per caricare la batteria.
  - Se l'auto si è rallentata, è necessario caricarla per 8-12 ore, massimo 20 ore.
1. Inserisci prima la spina del caricatore nella presa di ricarica. (L'auto non può essere utilizzata.)
  2. Inserisci quindi il caricatore nella presa di corrente.





## **AVVERTENZA:**

1. Il giocattolo deve essere montato da un adulto. In stato smontato, contiene punti appuntiti potenzialmente pericolosi e parti piccole, quindi tenere fuori dalla portata dei bambini.
2. PERICOLO DI SOFFOCAMENTO: Parti piccole.
3. Non adatto a bambini di età inferiore ai 3 anni.
4. Indossare sempre le scarpe.
5. RISCHIO DI INCENDIO. Non aggirare. Sostituire solo con dispositivi di protezione del circuito.
6. Indossare dispositivi di protezione. Non utilizzare in strade trafficate.

## **Attenzione:**

- Utilizzare solo il caricatore e la batteria secondo le normative del produttore.
- Non mescolare batterie vecchie e nuove o di tipi diversi.
- I terminali della batteria non devono essere cortocircuitati.
- Non aprire la batteria o il caricatore.
- Non invertire la batteria.
- Prima di caricare, controllare se il caricatore, la batteria e la spina sono in buone condizioni, se si rilevano parti danneggiate, smettere immediatamente di usarle. E non usarlo fino a quando non è completamente riparato.

- La batteria diventerà leggermente calda durante la ricarica, è normale. Se ciò non accade, potrebbe essere dovuto a un cortocircuito del caricatore o della scheda del circuito.
- Utilizzare il piastrino di pressione per fissare la batteria.
- Le batterie esaurite devono essere gestite dagli adulti, rimuovere correttamente la batteria esaurita dai giocattoli per riciclarla e non gettarla in modo arbitrario.
- Se il prodotto viene conservato inutilizzato per lungo tempo, deve essere completamente caricato e ricaricato ogni 3 mesi per garantire la durata della batteria.
- Il caricatore e la batteria non sono giocattoli. Tenerli fuori dalla portata dei bambini.

## MANUTENZIONE E SERVIZIO

1. Prima dell'uso, i genitori dovrebbero verificare che tutte le parti come batterie, caricatore, cavi, spina, carrozzeria esterna e altre parti siano in buone condizioni, controllare se le viti sono allentate e se ci sono potenziali pericoli per la sicurezza. Eventuali parti danneggiate devono essere riparate prima dell'uso.
2. Dopo aver usato il prodotto per un certo periodo di tempo, utilizzare una piccola quantità di olio lubrificante sulle parti mobili per prevenire l'usura e la ruggine.
3. Tenere l'auto lontano da fonti di calore e dalla luce solare diretta. Posizionarla in modo stabile, non a testa in giù. L'auto dovrebbe essere conservata al coperto, all'aperto sotto copertura.
4. Tenere l'auto lontano da oggetti caldi, come fornelli o riscaldatori, altrimenti le parti in plastica potrebbero fondersi. Durante la ricarica, tenere l'auto lontano da materiali infiammabili per evitare incendi.
5. Ricaricare l'auto tempestivamente dopo l'uso. La ricarica deve essere effettuata da adulti. Se il prodotto non verrà utilizzato per lungo tempo, deve essere completamente carico. Ricaricarlo ogni mese per prolungare la durata della batteria.
6. Utilizzare solo un panno morbido per pulire l'auto. Non utilizzare solventi chimici per pulire le parti in plastica. Non utilizzare sapone o acqua per pulire l'auto. Guidare in condizioni di pioggia o neve può danneggiare motore, batteria e sistema di circuito.

7. Quando si ferma o si conserva l'auto, tagliare l'alimentazione e assicurarsi che tutti gli interruttori siano nella posizione "STOP" o "OFF".
8. Non utilizzare fusibili diversi dalle specifiche di questo prodotto.
9. Non modificare la struttura e il sistema di circuito del prodotto. Il lavoro di manutenzione e riparazione deve essere svolto sotto la guida di personale professionale o tecnico competente.
10. Non utilizzare il prodotto per altri scopi. Inserire la batteria con la polarità corretta.
11. È vietato il cortocircuito negativo della batteria. Le batterie non ricaricabili non possono essere ricaricate.
12. Le batterie ricaricabili possono essere caricate solo sotto la supervisione di un adulto.
13. Non mischiare batterie vecchie e nuove o diverse tipologie di batterie.
14. La batteria scarica deve essere rimossa correttamente dall'auto e non deve essere giocata dai bambini.
15. Scollegare completamente le batterie quando non vengono utilizzate e non permettere ai bambini di giocarci.

## RISOLUZIONE DEI PROBLEMI

L'auto non si muove o non si accende	Se l'interruttore "power" è nella posizione OFF
	Se il fusibile non funziona correttamente
	Se la batteria non è collegata, controllare i fili rossi e neri.
	Se il caricatore è inserito, l'auto non si accenderà. Scollegare il caricatore.
	Se l'interruttore del pedale non funziona correttamente
	Se le ruote sono bloccate e non si muovono
L'auto si muove lentamente	Se la batteria non è completamente carica. È necessario ricaricarla tempestivamente.
	Se c'è un problema con le ruote
	Se il peso del conducente supera le specifiche
La batteria non si ricarica	Se il caricatore non funziona correttamente
	Se la batteria ha perso la sua capacità
	Se c'è un problema di connessione tra caricatore e batteria

**ATTENZIONE:**

Questo giocattolo contiene batterie non sostituibili.

Si raccomanda la supervisione di un adulto per i bambini piccoli.

**ATTENZIONE:**

Per ridurre il rischio di lesioni, è necessaria la supervisione di un adulto.

Non utilizzare su strade, vicino a veicoli a motore, su o vicino a rampe ripide o scale, piscine o altre parti d'acqua, indossare sempre scarpe e non consentire più di 1 passeggero.

Utilizzare solo la batteria specificata dal produttore.

Utilizzare solo il caricatore specificato dal produttore.



**ATTENZIONE:**

Montaggio da parte di un adulto.

Capacità massima: 25 kg (55 lb).

- Questo giocattolo contiene batterie non sostituibili.
- Le batterie ricaricabili devono essere caricate solo da adulti.
- Istruzioni da dare al bambino per l'uso corretto del giocattolo, in particolare per l'uso del sistema di frenata.
- Ricordare che l'uso del giocattolo deve essere fatto con cautela poiché è richiesta abilità per evitare cadute o collisioni che possono causare lesioni all'utilizzatore o a terzi.
- La batteria può essere caricata solo da una persona di almeno 8 anni.
- Le batterie esaurite devono essere rimosse dal giocattolo.

**UK**

If you have any questions, please contact our customer care center.

Our contact details are below:



0044-800-240-4004



enquiries@mhstar.co.uk

IMPORTER ADDRESS:

MH STAR UK LTD

Unit 27, Perivale Park,  
Horsenden lane South  
Perivale, UB6 7RH  
MADE IN CHINA

**FR**

Si vous avez la moindre question, veuillez contacter notre centre d'assistance à la clientèle.

Nos coordonnées sont les suivantes:



0033-1-84166106



aosom@mhfrance.fr

Importé par:

MH France

2, rue Maurice Hartmann  
92130 Issy-les-Moulineaux  
France  
Fabriqué en Chine

**DE**

Wenn Sie Fragen haben, wenden Sie sich bitte an unser Kundendienstzentrum.

Unsere Kontaktdaten stehen unten:



0049-(0)40-88307530



service@aosom.de

ADRESSE DES IMPORTEURS:

MH Handel GmbH  
Wendenstraße 309  
D-20537 Hamburg  
Germany  
IN CHINA HERGESTELLT

**ES**

Si tiene alguna pregunta, comuníquese con nuestro Centro de Atención al Cliente. Nuestros datos de contacto son los siguientes:



0034-931294512



atencioncliente@aosom.es

IMPORTADOR:

SPANISH AOSOM, S.L.

C/ ROC GROS, N° 15. 08550, ELS HOSTALETES DE  
BALENYÀ, SPAIN.

B66295775

WWW.AOSOM.ES

ATENCIONCLIENTE@AOSOM.ES

TEL: 931294512

HECHO EN CHINA

**PT**

Se tiver alguma dúvida, por favor contacte o nosso Centro de Atendimento ao Cliente. Os nossos dados de contacto são os seguintes:



0034-931294512



info@aosom.pt.

IMPORTADOR:

SPANISH AOSOM, S.L

C.ROC GROS N.15, 08550. ELS HOSTALETES DE BALENYÀ  
TEL: 931294512 (SEG-SEX DAS 7:30H ÀS 16:30H)

INFO@AOSOM.PT

WWW.AOSOM.PT

**IT**

In caso di dubbio, si prega di contattare il nostro centro assistenza clienti. I nostri dettagli di contatto sono di seguito:



0039-0249471447



clienti@aosom.it

IMPORTATO DA:

AOSOM Italy srl  
Centro Direzionale Milanofiori  
Strada 1 Palazzo F1  
20057 Assago (MI)  
P.I.: 08567220960  
FATTO IN CINA

