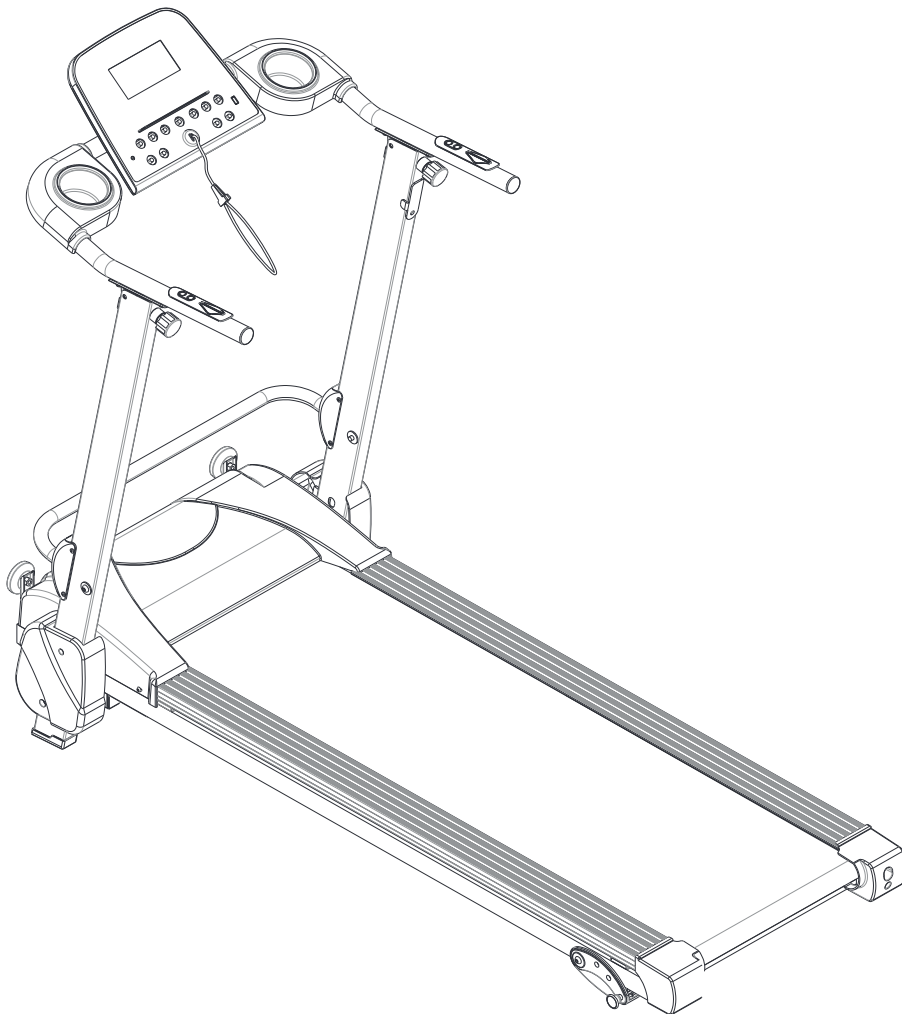




IN240300171V01_UK_IT

A90-225_A90-225V70

EN



IMPORTANT, RETAIN FOR FUTURE REFERENCE: READ CAREFULLY

ASSEMBLY INSTRUCTIONS

Table of Contents

Catalogue	2
Safety Instructions	3
Parts List	4
Assembly Instructions	5
Folding Instructions	7
Incline Instruction	9
Ground Guide	9
Function Instruction	10
Getting Started Guide	16
Safety Exercise Instructions	17
Warm Up Exercise	18
Maintenance Guide	19
Belt Adjustment	19
Explosive Diagram	20
Parts Catalog Lists	21
Meanings Of Error Message Codes	24

Safety Instructions

Warning: Consult with your physician or health professional before starting your workout, especially necessary if your age is up to 35 or once had healthy problem. We take no responsible for any troubles or hurts if you don't following our instructions. Treadmill should be carefully assembled and covered with the motor shield before connected to the power.

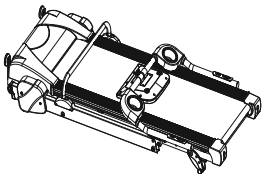
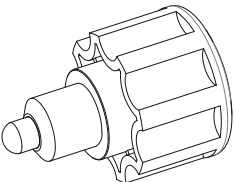
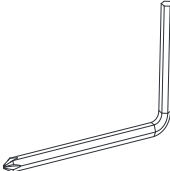
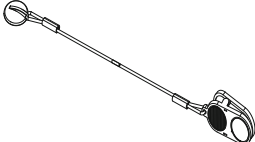
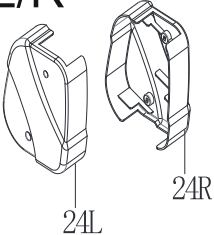
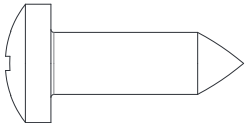
Attentions

- 1、 Ensure the safety lock's clamp were attached to the clothing or belts before using the treadmill.
- 2、 Please do not insert any items to any part of the equipment, which would damage the equipment.
- 3、 Position the treadmill on a clear, level surface. Do not place the treadmill on thick carpet as it may interfere with proper ventilation. Do not place the treadmill near water or outdoors.
- 4、 Never start the treadmill while you are standing on the walking belt. After turning the power on and adjusting the speed control, there may be a pause before the walking belt begins to move, always stand on the foot rails on the sides of the frame until the belt is moving.
- 5、 Wear appropriate clothing when exercising on the treadmill. Do not wear long, loose fitting clothing that may be caught in the treadmill. Always wear running or aerobic shoes with rubber soles.
- 6、 Keep the children and pets away from the treadmill while starting workout.
- 7、 Don't exercise in 40-Minutes after dinner.
- 8、 The equipment is suitable for adults, Juveniles need be accompanied with adults while workout.
- 9、 You must hold on to the handrails until you become comfortable and familiar with the treadmill at your first start the workout.
- 10、 Treadmill is indoor-use equipment, not outdoor-use for avoiding damage. Keep the store-place clean and flat, drying. Please do not use the equipment for other purpose.
- 11、 The power line of treadmill is special. If the power line is damaged, please buy it from the distributor or contact the company directly.
- 12、 If the speed increase suddenly or inadvertently due to an electronic failure, please pull off the safety lock from the console, then the treadmill will stop.
- 13、 Do not connect other line to the middle of cable; do not lengthen cable or change the cable plug; do not put any heavy thing on cable or put the cable near the heat source; forbid using socket with several holes, these may cause fire or people may be hurt by the power. While insert the plug, pls make sure to Insert it into the socket with the safety ground circuit.

14、 When the equipment is not used, please cut off the power by pulling off the plug. While cutting off the powder, do not pull the power line which may cause broken to the line. Once the power-line is broken, please purchase the power-line from the distributor or contact with our company directly, as the power-line is dedicated to the treadmill.

Parts List

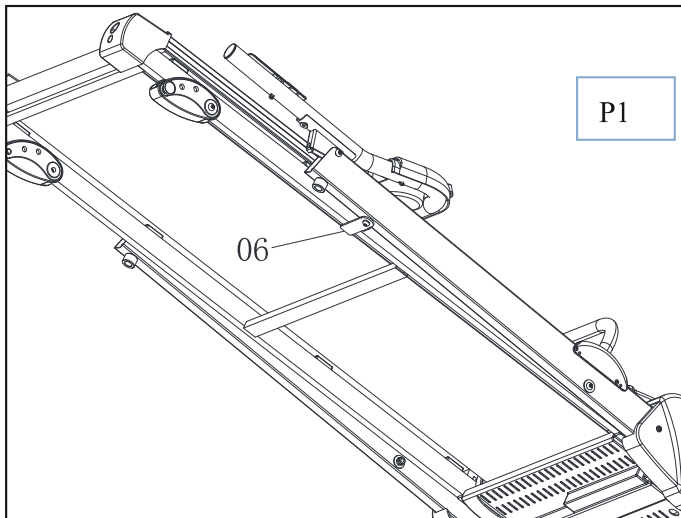
When you open the carton, you will find the below spare parts:

<p>1</p> 	<p>32</p> 	<p>71</p> 	<p>40</p> 
<p>24L/R</p>  <p>24L 24R</p>	<p>60</p> 		

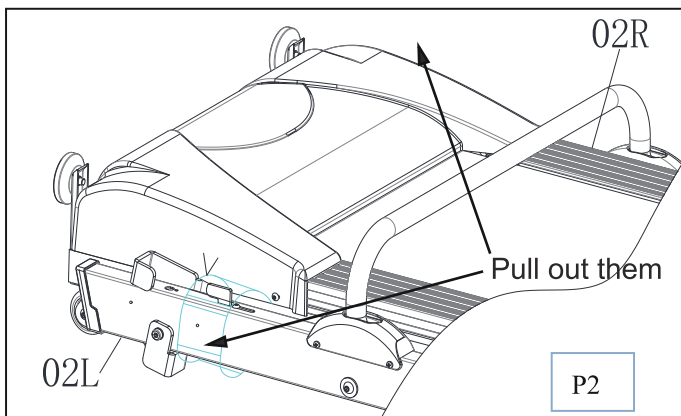
Spare parts list:

NO.	DESCRIPTION	SPEC	Q'TY	NO.	DESCRIPTION	SPEC	Q'TY
1	Main Frame		1	71	Allen Wrench	S6 55*95mm	1
32	Quick Pull Pin	M16	2	40	Safety Key	Line length 0.8m	1
24L/R	Upright Decoration Cover L/R		1/1	60	Screw	ST4.2*15	4

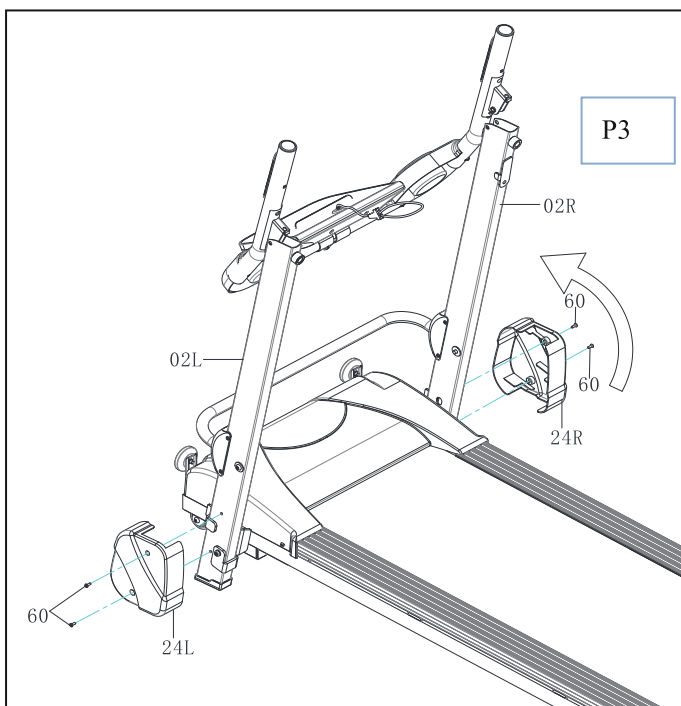
Assembly Instructions



STEP 1: Rotate the locking plate (06) 90° in arrow direction .(P1)

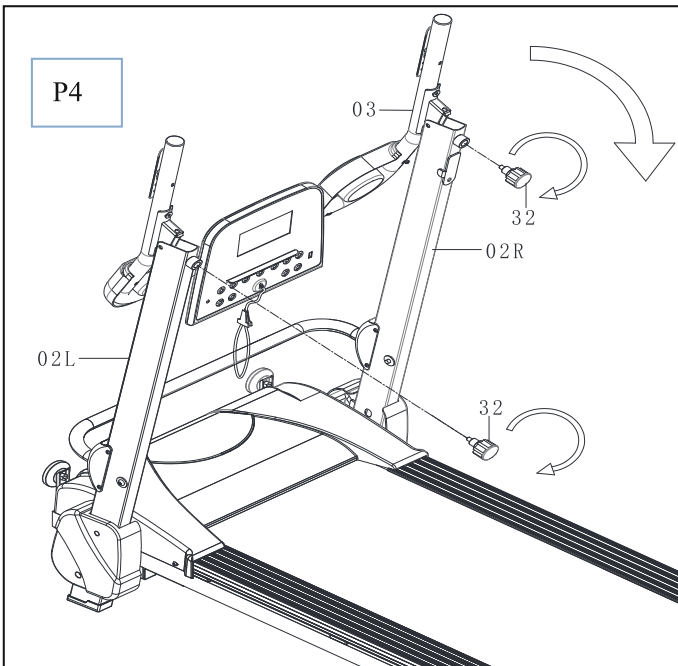


STEP 2: Pull out plastic film from Upright Post Frame(02L/R). (P2).

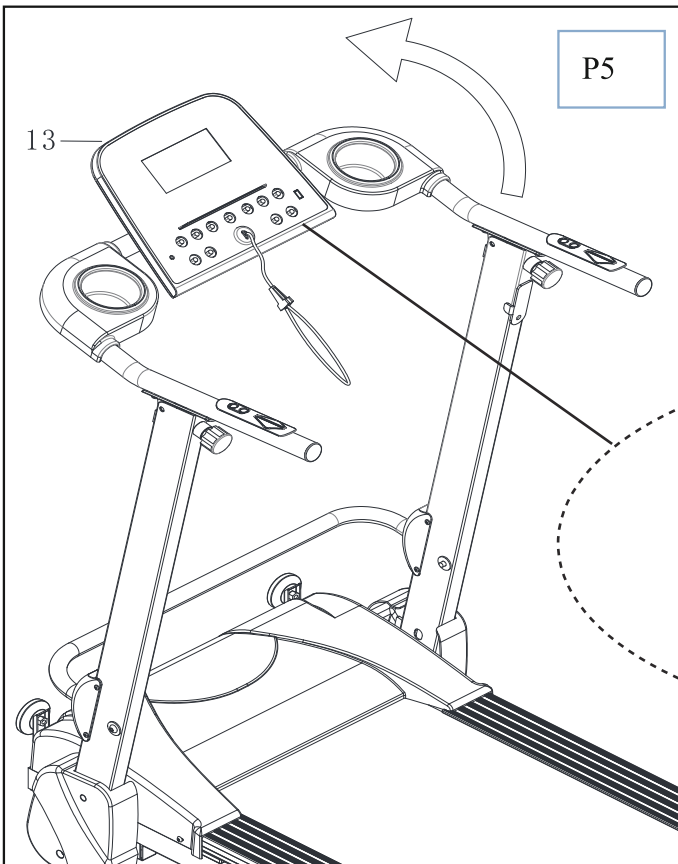


STEP 3: Rotate the Upright Post Frame(02R/L) as the direction of the arrow. (P3).Keep holes of Upright Decoration Cover (24L/R) inline with holes of Upright Post Frame(02L/R) ,then lock Upright Decoration Cover (24L/R) well by using Screw(60).

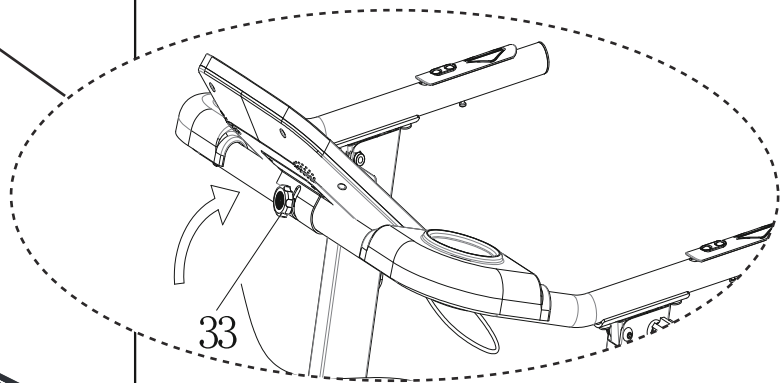
Assembly Instructions



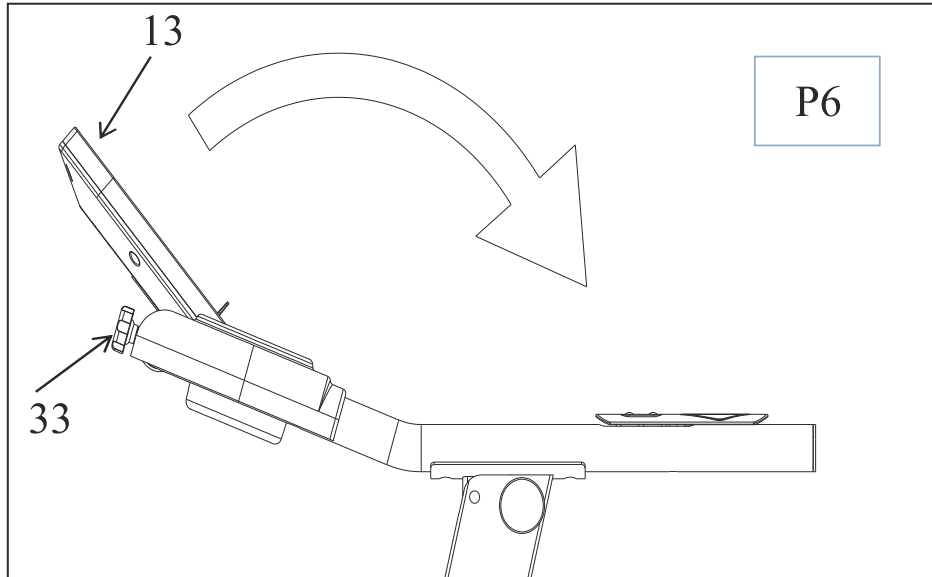
STEP 4: Adjust the handle bar(03) until holes are aligned, then install quick pull pin(32) and tighten them in arrow direction .(P4)



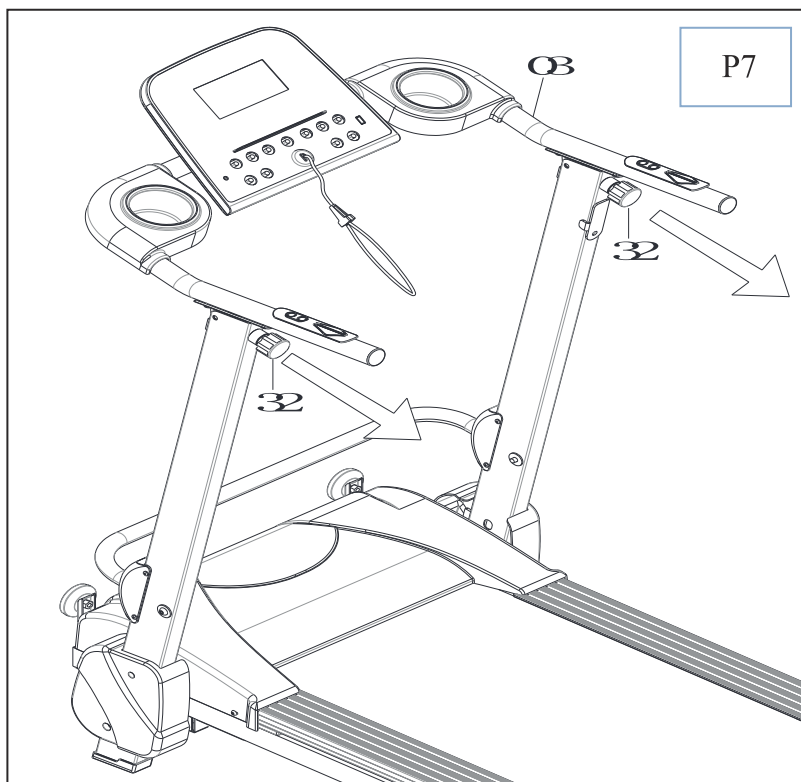
STEP 5: Adjust the computer(13)to the required angle, then install knob(33) and lock it.(P5)



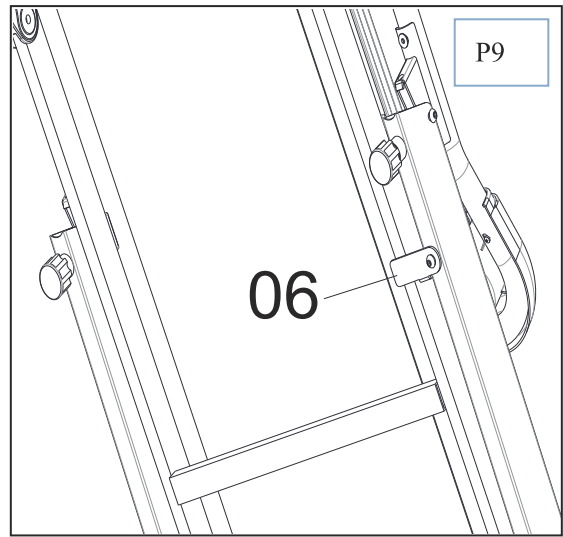
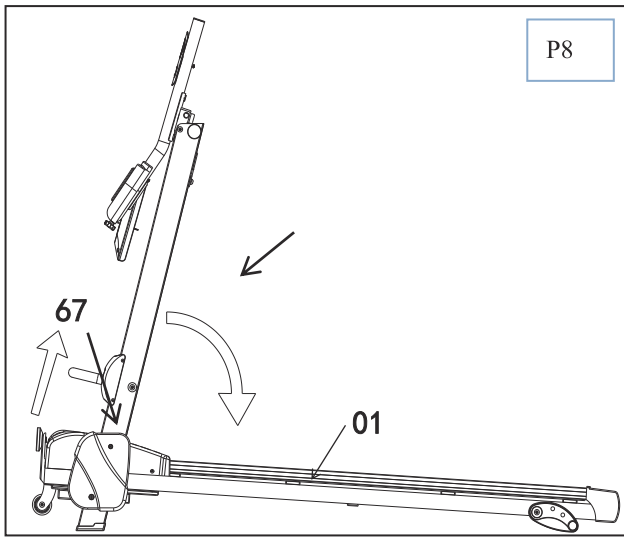
Folding Instructions



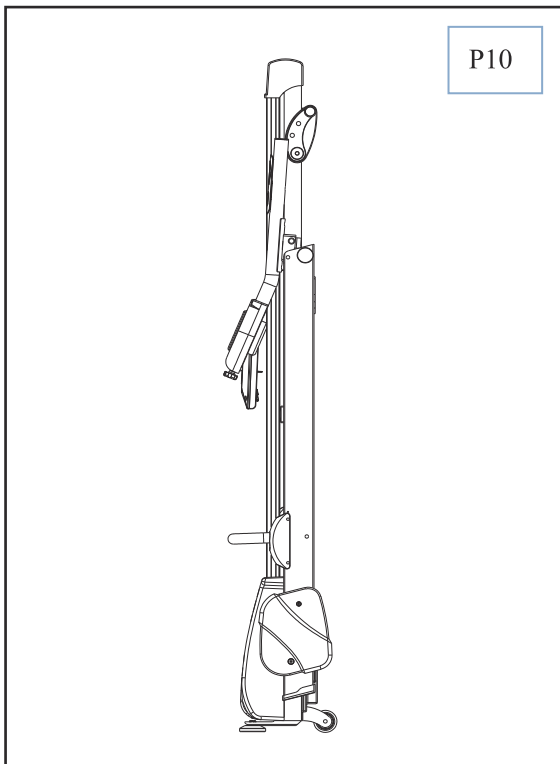
STEP 1: Turn the knob(33) loose, rotate the computer(13) 135° in arrow direction .(P6)



STEP 2: Pull out the pins(32) in the direction of the arrow, at the same time, rotate the handle bar(03) forward in place.(P7)



STEP 3: Pull the adjust bar (67) in place as the direction of the arrow , at the same time rotate the upright post frame(02L/R) in the arrow direction to level the main frame(01), (P8) then turn back the locking plate (06) in beginning position.(P9)



STEP 4: Upright storage.(P10)

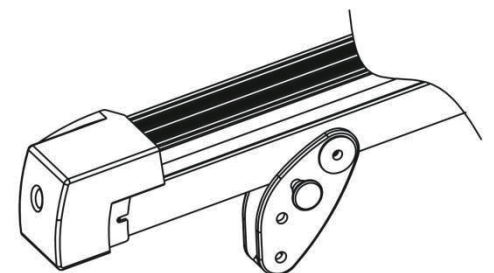
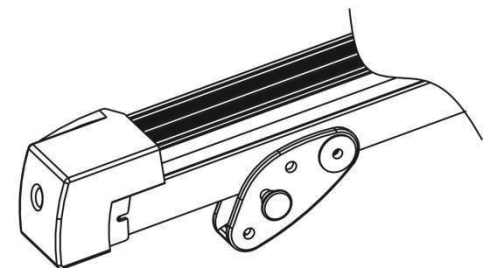
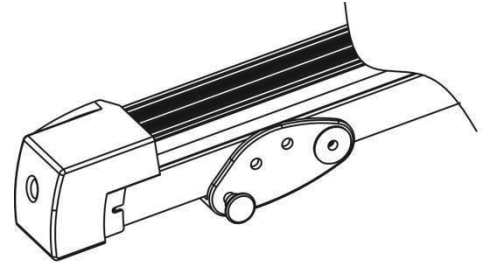
Attention: Do not turn on the power before assembly is done. Please read carefully the operation instruction of the treadmill.

Ground Guide

This product must be grounded. If it should malfunction or breakdown, grounding provides a path of least resistance for electric current to reduce the risk of electric shock. This product is equipped with a cord having an equipment-grounding conductor and a grounding plug. The plug must be plugged into an appropriate outlet that is properly installed and grounded in accordance with all local codes and ordinances.

DANGER – Improper connection of the equipment-grounding conductor can result in a risk of electric shock. Check with a qualified electrician or serviceman if you are in doubt as to whether the product is properly grounded. Do not modify the plug provided with the product – if it will not fit the outlet, have a proper outlet installed by a qualified electrician.

This product is for use on a nominal 220-volt circuit and has a grounding plug that looks like the plug illustrated in sketch A in following figure. Make that the product is connected to an outlet having the same configuration as the plug. No adapter should be used with this product.



Incline Instruction

As above drawing, you can adjust lifting angle by changing pin's position. There are 3 sections adjust key to be used.

Function Instruction

WINDOW DISPLAY



1. Sketch

The function of computer

- MP3 interface playback function
- USB interface playback function
- Hand- pulse function

Terminological conventions used in the instructions:

Treadmill parameters: "SPEED" value.

Motion parameter: "DIS" value, "TIME" value, "CAL" value, " BEAT" value.

Motion mode: manual, mode, program

Manual Motion Mode: Motion Mode without Setting Motion Volume.

Model Motion Mode: Motion Mode with Specific Motion Volume.

Programmed Sports Mode: Different Sports Schemes Set up by the treadmill itself. Twelve Sports Schemes Set up in the treadmill.

2. Specification

Motion parameters in various motion modes:

- Minimum display speed 0.8 km/h
- Maximum display speed 14 km/h
- Maximum exercise time in time mode: 99 minutes
- Minimum exercise time in time mode: 8 minutes
- Maximum distance in distance mode: 99 km
- Minimum distance in distance mode: 1 km
- Maximum calorie consumption in calorie mode: 990 calories
- Minimum calorie consumption in calorie mode: 20 calories
- The shortest running time of (P1-P12) program: 8 minutes
- The longest running time of (P1-P12) program: 99 minutes

3. LCD Display Description

Display content on LCD (92264):

- Speed display
- Time display
- Distance display
- Calorie display

-
- Heartbeat display

4. Button Function Description

- **SPEED QUICK BUTTON (3,5,7,9,12)**
- **START/STOP**
- **“PROGRAM” BUTTON “MODE” BUTTON**
- **“SPEED +/- ” BUTTON**

5. Button Function

• **START Button: Start Motor Operation**

- Operational Description:**
1. When the computer is standby, the countdown time of 5 seconds after pressing this button can start the motor.
 2. In the mode setting state, the computer can start the motor by counting down 5 seconds after pressing this button.
 3. In the programming state, the computer can start the motor by counting down 5 seconds after pressing this button.

• **STOP Button : Stop motor operation**

- Operational Description:**
1. When computer is in operation, press this button to stop the motor.
 2. When the motor stops running completely, all data will be cleared to the initial state.

• **“PROGRAM” Button: Automatic Program Selection**

- Operational Description:**
1. In standby state, press this button to enter automatic program setting.
 2. Keep pressing this button after entering P12, and you can enter the settings of the custom program.
 3. After entering the custom program settings, continue to operate this button to enter the body fat test settings.
 4. Operating flow: Programming - Body Fat Test Setting - Returning to Initial State

• **“MODE” Button: Choice of countdown mode**

- Operational Description:**
1. When the computer is standby, press this key to set the countdown mode.
 2. In the body fat test setting state, press this button to enter the next parameter setting.
 3. Standby operation process: time countdown-distance countdown-calorie countdown-return
 4. Operation flow under body fat test settings: setting sex-setting age-setting height-setting weight-body fat test
 5. Press this button to enter different periods of time in the customized program settings

• **“SPEED +/- ” Button: Running speed adjustment, setting parameter adjustment**

- Operational Description:**
2. Under the condition of parameter setting, the value of setting parameter can be adjusted.

• **SPEED QUICK Button: Direct Selection of Runtime Speed Values**

Operational Description: In the running state of the computer, press this **button** to select the corresponding speed value directly.

6. Motion Mode Description

A. Manual Motion Mode

Enter the manual mode: After the computer is fully displayed on power, it enters the initial standby state. At this time, press the start **button**, and then it enters the manual mode of operation.

Running instructions: Initial running speed is 0.8KM/H, time, distance, calorie window is counted positively from zero, according to the speed adjustment key, the value of running speed can be adjusted.

Exercise time is more than 99:59 minutes, the system does not stop, and the time starts from zero.

B. Countdown Mode Function

1. Enter the Countdown mode: In the initial standby state, select the time countdown mode by pressing the mode button. At this time, the time window shows 30:00 minutes and flickers to show that the required running time can be set by the "SPEED +/- " button. The setting range is 8:00-99:00 minutes. Press the start button to enter the time countdown mode.

Running instructions: The initial speed of 0.8 KM/H, set according to the operation of the time window began to count down time, distance and starting from scratch is counting calories window, press "SPEED +/- " button, the size of the adjustable speed value, when setting the time down to zero, electronic watch began to slowly stop running, speed is reduced to zero, return to the initial standby mode automatically.

2. Enter distance countdown mode: In the initial standby state, select the distance countdown mode by pressing the mode button. At this time, the distance window shows 0.8 kilometers and flickers. The required distance can be set by "SPEED +/- " button. The range is 1.0-99.0 kilometers. Press the start button to enter the distance countdown mode.

Running instructions: The initial running speed is 0.8KM/H, the distance window counts down according to the set distance, the time and calorie window counts positively from zero, and the "SPEED +/- " button can adjust the size of the running speed value. When the set distance counts down to zero, the computer starts to stop running slowly and automatically returns to the initial standby state after the speed decreases to zero.

3. Enter calorie countdown mode: In the initial standby state, the calorie countdown mode is selected by pressing the mode button. At this time, the calorie window displays 50 and flickers. The required running calories can be set by the "SPEED +/- " button, and the range is 20-990. Pressing the start button, the calorie countdown mode can be operated.

Running instructions: Initial speed of 0.8 KM/H, the terms of the calorie counting, counting calories window, window of time and distance are counting from scratch, press "SPEED +/- " button, the size of the adjustable speed value, can adjust the size of the gradient value operation, when calorie meter to zero, set up electronic watch began to slowly stop running, speed reduction to zero after the return to the initial standby mode automatically.

C、 Automatic Programming Function

Enter Auto Program: In the initial standby state or mode setting state, press the program button to enter the automatic program selection. At this time, the time window displays 30:00 minutes and flashes (the required running time can be set by the "SPEED +/- " button, and the setting range is from 8:00 to 99:00 minutes). Press the start button to enter the automatic program running.

Running instructions: Automatic program is divided into 20 section, the speed of each value to run, according to the program automatically the default value of each segment running time is 1/20 of the setting time, set according to the operation of the time window began to count down time, distance and starting from scratch is counting calories window, press "SPEED +/- " button, the size of the adjustable speed values, when the program run to the next paragraph, speed value automatically adjusts to the next section of the default values, when setting the time down to zero, computer began to slowly stop running, speed is reduced to zero, return to the initial standby mode automatically.

D、 Custom Program (U1-U3):

In addition to 12 system built-in programs, the treadmill also has three user-defined programs that allow users to set up by themselves according to their own circumstances: U1, U2, U3.

1. User-defined Program Settings:

Press "PROGRAM" button in standby state until the user defined program (U1-U3) you want to set, press "MODE" button to determine the entry settings, and then set the speed for the first time period. When setting, use "SPEED +/- " button or SPEED QUICK Button to set the speed. Press "MODE" button to complete the settings of one time period and enter two time periods to set the state straight. To complete all 20 (calorie window display S1-S20) time period settings; after settings are completed, data will be permanently saved until your next reset, during the settings can not power off, otherwise the data can not be automatically saved.

2. Startup of User-defined Programs:

A. Press the "PROGRAM" button continuously in standby state until the user-defined program (U1-U3) you want to run is set up, and then press the start button to start.

B. Press the start button immediately after the user-defined program and run time settings are completed.

3. User-defined Program Settings:

Each program divides the running time into 20 periods. The speed, gradient and running time of all 20 periods should be set before the treadmill can be started by pressing the start button.

4. Speed can be adjusted by "SPEED +/- " button in the process of operation. When the last stage of operation is over, it automatically enters the next stage of operation, and the

speed is automatically adjusted to the set value of the section.

7. Functional description of body fat test

Enter Body Fat Test Settings: In the initial standby state or mode setting state, press the "PROGRAM" button to select the body fat test setting (in the P12 automatic program setting state, press the "PROGRAM" button to enter the body fat test setting state).

Body fat test setting instructions: After entering the body fat test setting state, the distance window displays the parameter function (-X-), the calorie window displays the setting value, adjusts the setting value according to the "SPEED +/- " button, and chooses to enter the next setting according to the "MODE" button.

The first is gender (-1-) setting: initial value 1 (range 1-2, 1 for men; 2 for women)

The second item is age (-2-) setting: initial value 25 (range 10-99 years)

The third item is height (-3-) setting: initial value 170 (range 100-220 CM)

The fourth item is weight (-4-) setting: initial value 70 (setting range 20-150 KG)

The fifth item is the body fat (-5-) test: initial value ---

Body fat test: When the settings are completed, enter the 5th body fat test, initially showing "---". At this time, holding hands on the Hand Pulse Sensors for about 5 seconds will show the body fat test index.

Explanation of body fat index: Body fat index is a measure of a person, the relationship between height and weight is suitable for any men and women, together with other health indicators for people to adjust weight basis, the ideal body fat index must be between 20 ~ 25, if less than 19, said the weight is too light, if between 26 ~ 29, said overweight, obesity and if more than 30, said (note: the data are for reference only, not as a medical data).

8. Hand Pulse function description

Hand Pulse Function: The palms of both hands are attached to the Hand Pulse Sensors of the left and right armrests respectively. They are held naturally on the handles on both sides. After 5 seconds or so, the LCD heartbeat display window will display the initial value of heartbeat. Please keep the hands still. The heartbeat display window will slowly change the display data and approach the actual value of heartbeat in 30 seconds.

Instructions for the Hand Pulse function:

The following conditions may produce irregular heartbeat data:

1. When holding the test, the strength of the hand is too tight. Please hold the moderate strength.
2. When running, the hand-holding and jumping handles test will produce constant changes in contact. When testing the hand-jumping, it is recommended to stop the movement, stand on the bilateral edges of the feet, and hold the hands quietly.
3. Persons with dry or cold hands or especially thick palm skin.

Note: Hand Pulse heartbeat test data can not be used as medical data only as a reference for exercise because of the way of measurement and the reasons of many influencing factors.

9. Description Of Dormancy Function

When the treadmill stops running, if there is no operation for more than 10 minutes, it will enter a dormant state. The computer will automatically turn off the display and press any button to wake up the computer, and then re-enter the initial standby state.

10. Safety Lock Function Description

In normal use, the safety lock should be placed in the designated position of the computer before the computer can be operated and the safety lock can be taken down. The LCD window of the computer shows E07 or "-". If the safety lock is taken down in operation, the system will shut down quickly and all movement data will be cleared after the safety lock is closed again.

11.MP3 Function Description

After power-on, music can be played when accessing external MP3 or other audio devices. The volume can be adjusted by the volume +/- button. Please pay attention to controlling the volume, so as not to affect the quality of playing music and the audio control circuit inside the electronic meter.

12.USB Function

After the computer is powered on, the cell phone can be charged by inserting a data line.

13. Various numerical display ranges:

	BEGIN	SET UP VALUE	SET UP RANGE	DISPLAY RANGE
TIME (MIN: SECOND)	0:00	30:00	8:00-99:00	0:00~99:59
SPEED(KM/H)	0.0	N/A	N/A	0.8—14
DISTANCE(KM)	0.0	1.0	1.0—99.0	0.0—99.9
PULSE(BEAT/MIN)	P	N/A	N/A	40—199
CALORIE(KCAL)	0	50	20—990	0—999

Schedule 1: P1—P12 PROGRAM EXERCISE CHART

Time Program	SET TIME / 20 = EVERY GRADE TIME																			
	1	2	3	4	5	6	7	8	9	10	11	12	13	14	15	16	17	18	19	20
P1 SPD	2	3	3	4	5	3	4	5	5	3	4	5	4	4	4	2	3	3	5	3
P2 SPD	2	4	4	5	6	4	6	6	6	4	5	6	4	4	4	2	2	5	4	1
P3 SPD	2	4	4	6	6	4	7	7	7	4	7	7	4	4	4	2	4	5	3	2
P4 SPD	3	5	5	6	7	7	5	7	7	8	8	5	9	5	5	6	6	4	4	3
P5 SPD	2	4	4	5	6	7	7	5	6	7	8	8	5	4	3	3	6	5	4	2
P6 SPD	2	4	3	4	5	4	8	7	6	7	8	3	6	4	4	2	5	4	3	2
P7 SPD	2	3	3	3	4	5	3	4	5	3	4	5	3	3	3	6	6	5	3	3
P8 SPD	2	3	3	6	7	7	4	6	7	4	6	7	4	4	4	2	3	4	4	2
P9 SPD	2	4	4	7	7	4	7	8	4	8	9	9	4	4	4	5	6	3	3	2
P10 SPD	2	4	5	6	7	5	4	6	8	8	6	6	5	4	4	2	4	4	3	3
P11 SPD	3	4	5	9	5	9	5	5	5	9	5	5	5	5	9	9	8	7	6	3
P12 SPD	2	5	8	10	7	7	10	10	7	7	10	10	6	6	9	9	5	5	4	3

Gettings Started Guide

Warm up stage :

If you are over 35 years old, or not very healthy, also it's your first time exercise, please consult with your doctor or professional person.

Before you use the motorized treadmill, please learn how to control the machine, know well how to start, stop, adjust the speed and so on; don't stand on the machine at this time. After that, you can use the machine. Stand on anti-slip pad both sides and handle the handle bar with your both hands. Keep the machine at the low speed about 1.6~3.2 km/h, then test the running machine by one foot, after get used to the speed, then you can run on the machine and you can add the speed between 3 and 5 km/h. Keep the speed about 10 minutes, then stop the machine.

Exercise stage :

Learn how to adjust the speed and incline before using. Walk about 1 km at stable velocity and write down the time, it will take you about 15-25 minutes. If walk at 4.8 km/h, it will take you about 12 minutes in 1 km. If you feel comfortable at the stable velocity, you can add the speed and incline, after 30 minutes, you can have good exercise. At this stage, you cannot add the speed or incline too much at one time, it can keep you feel comfortable.

Exercise intensity :

Warm up at the speed 4.8 km/h in 2 minutes, then add the speed to 5.3 km/h and keep walking in 2 minutes, then add to 5.8km/h and walk in 2 minutes. After that, add up 0.3 km/h in each 2 minutes, until rapid breath but not feel comfortable

Calorie burning---the best effective way

Warm-up for 5mints by the velocity: 4-4.8KM/H, then slowly increase the speed by 0.3KM/H/2 Mints, until up to the stable speed which you feel is comfortable for 45Mints. For improving the intensity of movement, you can maintain the speed during 1H of TV program, then increase the speed by 0.3KM/H each Advertisement interval time, after that return to the original speed . You can acquaint the best efficiency of workout for calorie burning during the advertisement time and subsequent heart frequency increasing time. Finally, you should slow down the speed step by step for 4Mints.

Exercise frequency :

The cycle time: 3-5times/Week, 15-60mints/Times. Make up the schedule of workout scientific, not only for your hobby.

You can control the running intensity through adjusting the velocity and incline of treadmill. We suggest that you don't set the incline at first; improve the incline is the effective way to strengthen the exercise's intensity.

Safety Exercise Instructions

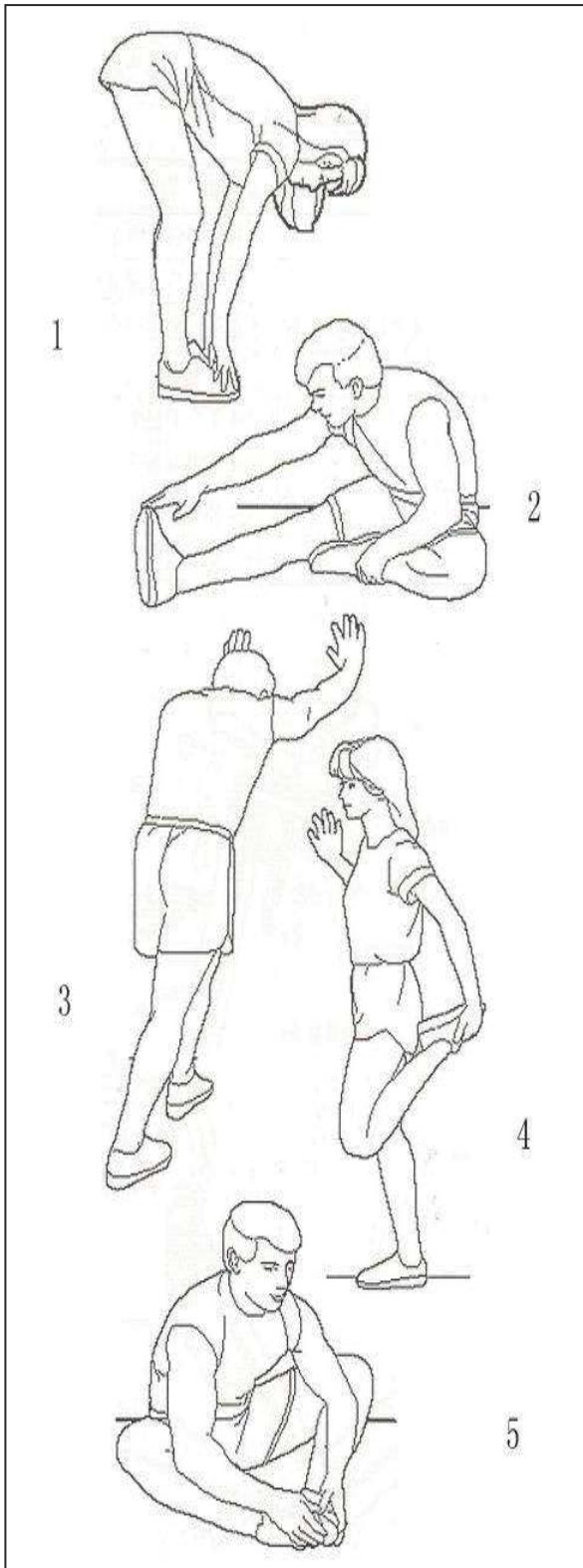
Consult with your physician or health professional before starting your workout. The professional people can help you make up the suitable exercise time-chart according to your age and health condition; determine the velocity of movement, the intensity of exercise. Please stop at once, if you feel chest tightness, chest pain, irregular heartbeat, breath difficulty, dizziness or other discomfort during exercise. You should consult with your physician or health professional as keep going.

You can choose the normal walking speed or the jogging speed, if you always take workout with treadmill. If you don't have enough experiences or confirm the testing velocity, you can follow the instruction:

- Speed 1.0-3.0KM/H not well physical
- Speed 3.0-4.5KM/H less movement and workout
- Speed 4.5-6.0KM/H normal walking
- Speed 6.0-7.5KM/H fast walking
- Speed 7.5-9.0KM/H Jogging
- Speed 9.0-12.0KM/H intermediate speed walking
- Speed 12.0-14.5M/H well experiences of running
- Speed 14.5-16.0KM/H excellent runner

Attention: 6 km/h or less is appropriate for walkers; A speed greater than or equal to 8.0 km/h is appropriate for runners.

Warm Up Exercise



Before exercise, it is better Warm muscles stretch more easily, so the first of 5 ~ 10 minutes to warm up. Then in accordance with the following methods to stop and do stretching exercises - do five times, each leg every time 10 seconds or more time to do it again after the end of the exercise.

1. Down the stretch: knees slightly curved, the body bent forward slowly, so that the back and shoulders relaxed, hands try to touch your toes. Maintain 10 to 15 seconds, and then relax. Repeat three times to do (see Figure 1).

2. Hamstring stretch: sitting on the clean seat, put one leg straight. Inward close to the other leg to make it close to the inside leg straight. Hand try to touch the toes. Maintain 10 to 15 seconds, and then relax. Repeat for each leg do three times (see Figure 2).

3. Legs and feet tendon stretch: two on the Rotary wall or tree stand, one foot in the post. Keep legs straight and heel to tilt the direction of the wall or tree. Maintain 10 to 15 seconds, and then relax. Repeat for each leg do three times (see Figure 3).

4. Quadriceps stretch: the left hand wall or table Cu master balance, and then stretched his right hand back to seize the right foot to the buttocks with slowly pull until you feel the front thigh muscles tense. Maintain 10 to 15 seconds, and then relax. Repeat for each leg to do three times (see Figure 4).

5. Sartorius muscle (inner thigh muscles) stretch: Foot In contrast, the knee outward to sit down. The hands grasp the feet to the groin pull. Maintain 10 to 15 seconds, and then relax. Repeat three times (see Figure 5).

Maintenance Guide

Warning: ALWAYS UNPLUG THE TREADMILL FROM THE ELECTRICAL OUTLET BEFORE CLEANING OR SERVICING THE UNIT.

Clean: General cleaning of the unit will greatly prolong the treadmill.

Keep treadmill clean by dusting regularly. Be sure to clean the exposed part of the deck on either side of the walking belt and also the side rails. This reduces the buildup of foreign material underneath the walking belt by wearing the clean running shoes.

Warning: Always unplug the treadmill from the electrical outlet before removing the motor cover. At least once a year remove the motor cover and vacuum under the motor cover.

Belt Adjustment

RUNNING BELT AND DECK LUBRICATION

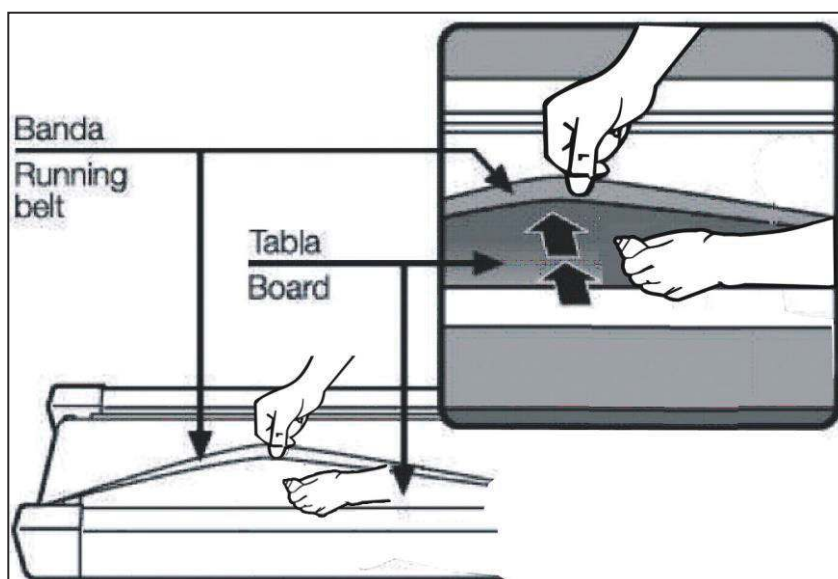
This treadmill is equipped with a pre-lubricated, low maintenance deck system. The belt/ deck friction may play a major role in the function and life of your treadmill, thus requiring periodic lubrication. We recommend a periodic inspection of the deck. You need contact with our service center if you find the damage of the deck.

We recommend lubrication of the deck according to the following timetable:

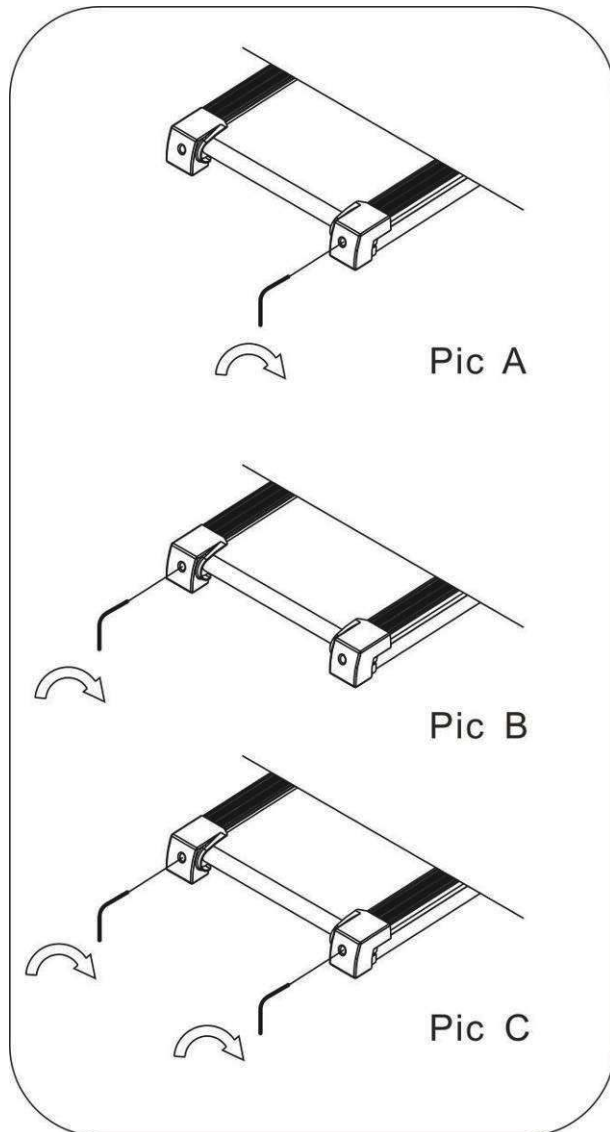
- Light user (less than 3 hours/ week) - Annually
- Medium user (3-5 hours/ week) - Every six months
- Heavy user (more than 5 hours/ week) - every three months

We recommend that you buy the lubrication from our distributor or directly to our company.

Attention: Any repair needs the professional technician.



Explosive Diagram



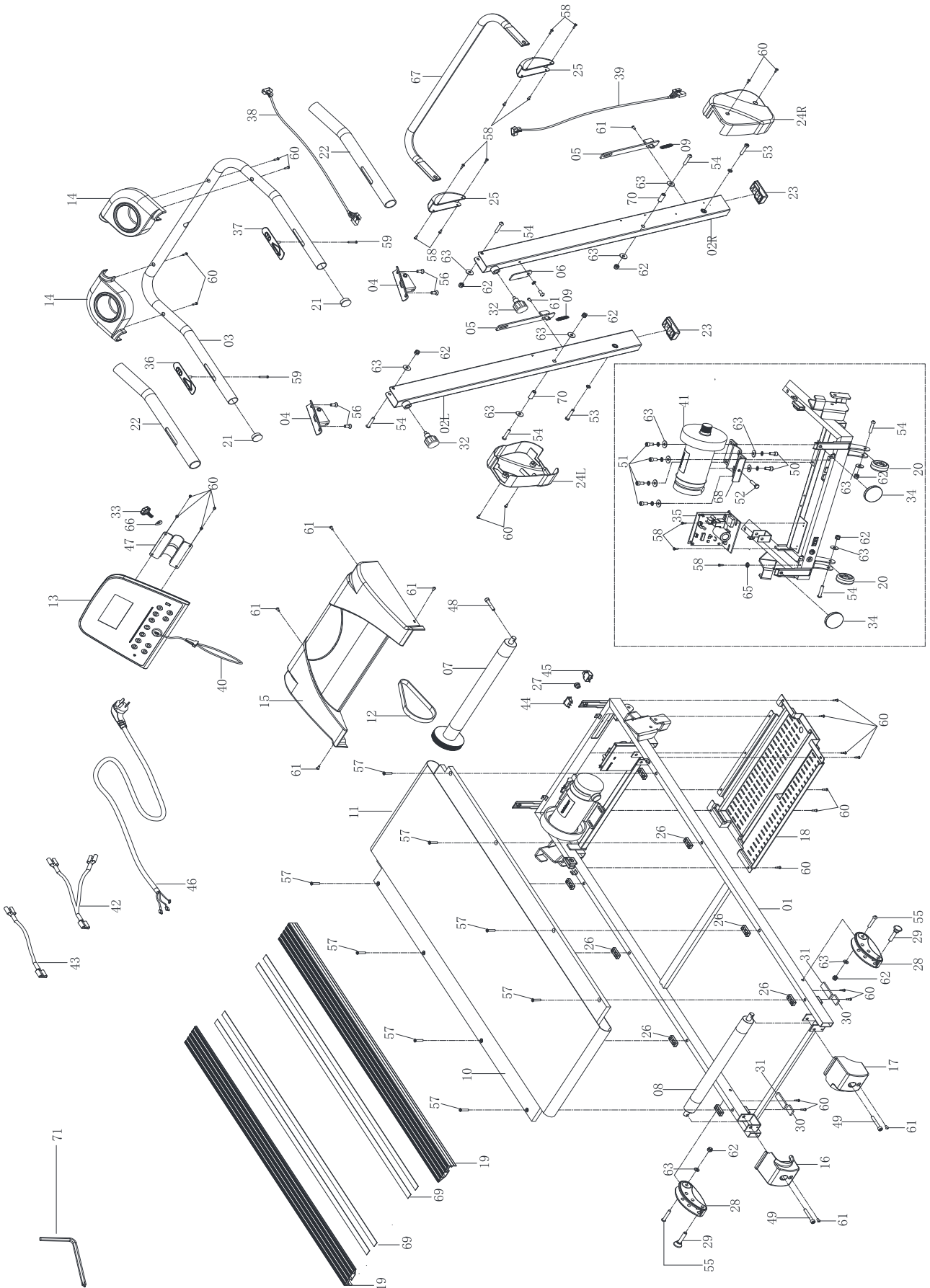
If the belt has drifted to the right, unplug the safety lock and power switch, and turn the right adjusting bolt 1/4 turn clockwise, then insert the power switch and safety lock, re-start the treadmill and observe the running belt to see if it deviates. Repeat the above steps until the running belt is aligned in the middle. **See picture A**

If the treadmill belt is swerving to the left, unplug the safety lock, turn off the power, then with the left adjusting bolt clockwise rotation 1 / 4 laps, and turn on the safety lock and power on to make treadmill running, checking the deviation of the treadmill belt. Repeat the above steps until the belt centered.

See picture B

The treadmill belt will gradually relax after above steps or after a period of time using, unplug the safety lock, and turn off the power, with the two adjusting bolt clockwise rotation 1 / 4 laps, and turn on the safety lock and power to make treadmill running, then standing on the belt to confirm the tightness. Repeat the above steps until the belt moderate tightness. **See picture C**

Parts Catalog Lists



Parts Catalog Lists

NO	DESC	SPEC	Q'TY	NO	DESC	SPEC	Q'TY
1	Main Frame		1	25	Adjust bar cover	138*37.5*48	2
2	Upright Post Frame		2	26	Cushion Pad	17*40*10	8
3	Handle Bar		1	27	Power Wire Clip	6W3-4	1
4	Handle Bar locking plate L/R		2	28	Manual adjustor	36*65*145	2
5	Adjust board		2	29	Ball pin	Φ27*Φ	2
6	locking plate		1	30	Cushion Pad 1	20*30*5.0	2
7	Front Roller	Φ42*478*Φ	1	31	Cushion Pad 2	20*55*5.0	2
8	Rear Roller	Φ38*440*Φ	1	32	Quick pull pin		2
9	Press Spring		2	33	Adjusting knob	Φ37*18*M8*20	1
10	Running Board	T15*560*1215	1	34	Adjusting knob	Φ60*30*M8*10	1
11	Running Belt	T1.4*420*2690	1	35	Controller		1
12	Driving Belt	190-J5	1	36	Pulse with START/STOP	850mm	1
13	Computer		1	37	Pulse with Speed Button	850mm	1
14	Water Bottle Rack		2	38	Computer Upper	850mm	1
15	Motor Top Cover	350*580*100	1	39	Computer Below	2000mm	1
16	Left End Cap	95*90*95	1	40	Safety Key	1200mm	1
17	Right End Cap	95*90*95	1	41	DC Motor	Φ30,Φ86	1
18	Motor Bottom Cover	320*558*50*T1	1	42	AC double Wire	250mm	1
19	Side Rail	36*80*1190	2	43	AC Single Wire	250mm	1
20	Moving Wheel	Φ54*Φ8.5*22	2	44	Square Switch		1
21	Handle Bar End Cap	Φ32.1.4	2	45	Overload	125/250VAC	1
22	Foam Grip	Φ30*38*420	2	46	Power Wire	10/15A	1
23	Upright Post End Cap	35*80*36	2	47	Computer bracket		1
24	Upright Decoration Cover L/R	180*208*52	2	48	Bolt	M8*45	1

NO	DESC	SPEC	Q'TY	NO	DESC	SPEC	Q'TY
49	Bolt	M8*60	2	60	Screw	ST4.2*15	23
50	Bolt	M8*12	3	61	Screw	M5*10	8
51	Bolt	M8*20 S6	4	62	Nut	M8 S13	8
52	Bolt	M8*40	1	63	Flat Washer	Φ9*Φ16*t1.0	14
53	Bolt	M8*50	2	64	Spring Washer	D8	8
54	Bolt	M8*40	6	65	Lock Washer	Φ5.2*Φ10*t1	1
55	Bolt	M8*45	2	66	Arc washer	Φ25*Φ8.5*t1.5	1
56	Bolt	M8*25	4	67	Adjust bar		1
57	Bolt	M6*40	8	68	Motor bracket		1
58	Screw	ST4.2*12	11	69	EVA glue	2.0*20*1180	4
59	Screw	ST4.2*30	2	70	Plastic plug	12*8.2*30	
				71	Allen wrench	S6 80*80mm	1

Meanings of Error Message Codes

Treadmill DC system Error message instructions

E01: Indicate abnormal phenomena of computer and electronic control communication

E01 Solutions to Common Problems	The communication line of the computer is not well connected, broken and in bad contact.	Please reconnect the communication line
	No Signal Output of computer	Replacement of computer to be repaired
	No Signal Output of down-control	Replacement of down-control to be repaired

E02: Indicate abnormal phenomena between down-control and motor

E02 Solutions to Common Problems	The motor wire is not connected properly	Check whether the motor wires are connected correctly
	No Voltage Output or Abnormal Voltage Output of down-control	Replacement of down-control to be repaired
	Bad motor	Replacement motor

E03: Indicates the abnormal phenomenon of the down-control detection speed

E03 Solutions to Common Problems	Photoelectric inductor incorrectly mounted on motor (photosensitive mode)	Reassembly
	Poor Photoelectric Inductor (Photosensitive Mode)	Replacement of Photoelectric Inductors
	Failure or motor damage of down-control board circuit (non-inductive mode)	Replacement of down-control or motor, to be repaired

E04: Indicate information prompt for overvoltage protection of down-control logging motor

E04 Solutions to Common Problems	The treadmill load exceeds the rated operating voltage of the motor	Recommended in the rated operating voltage range of the motor
	Abnormal treadmill motor or excessive speed due to light sensitivity failure	Replacement of motor or Photoelectric Inductors
	Failure of down-control Board Overvoltage Measurement Line	Replacement of down-control to be repaired

E05: Indicate information hint for down-control overcurrent protection of measuring motor

E05 Solutions to Common Problems	The treadmill load exceeds the rated operating current of the motor	Recommended in the rated operating current range of the motor
	Problems in the assembly structure of treadmill and motor cause motor resistance or blockage	Check whether the treadmill structure is normal
	Fault of down-control Current Limiting System	Replacement of down-control to be repaired

E06: Indicate the abnormal phenomenon of low voltage of down-control drive power supply

E06 Solutions to Common Problems	The supply voltage is too low	Please check whether the power supply line is normal
	Failure of down-control Board Routing Line	Replacement of down-control to be repaired

E07: The safety lock of the computer has not been put up properly

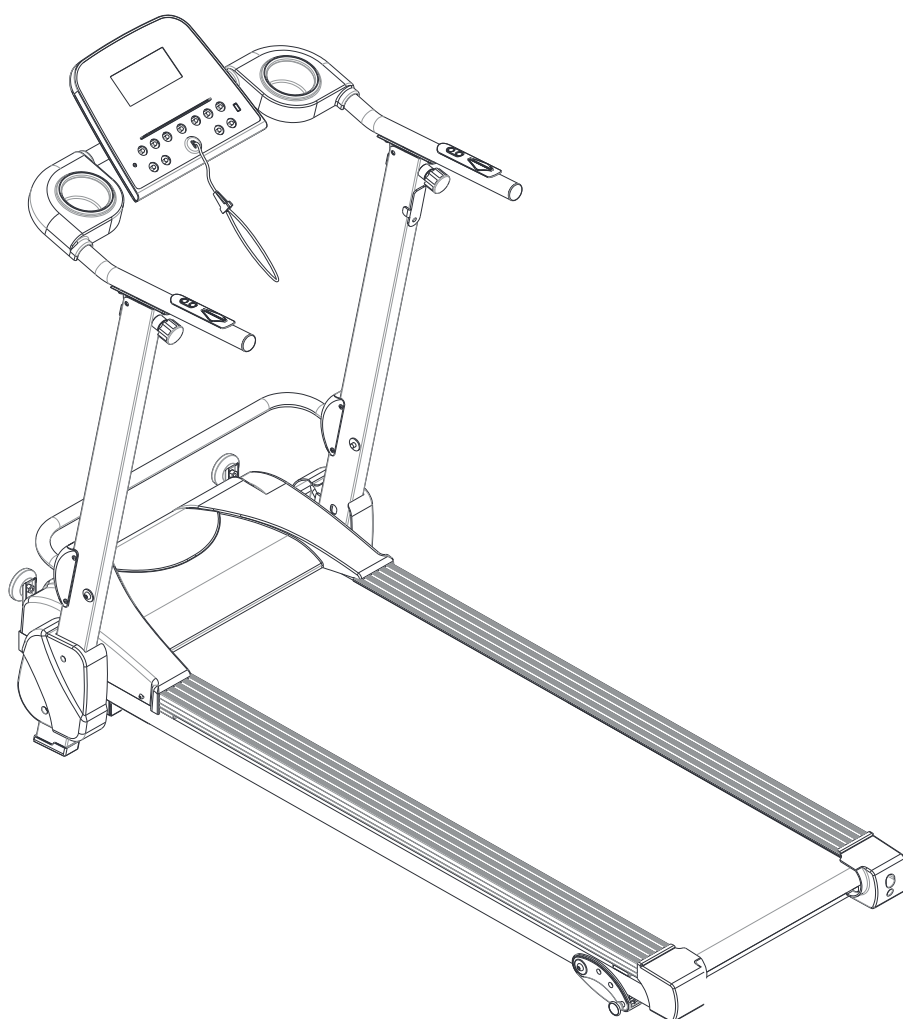
E07 Solutions to Common Problems	Safety magnet shedding	Please place the safety lock at the designated position of the computer.
	Failure of computer Safety Lock System	Replacement of computer to be repaired



IN240300171V01_UK_IT

A90-225_A90-225V70

IT



**IMPORTANTE - CONSERVARE QUESTE INFORMAZIONI
PER CONSULTARLE IN SEGUITO: LEGGERE ATTENTAMENTE**

ISTRUZIONI DI ASSEMBLAGGIO

Indice

Indice	2
Istruzioni di sicurezza	3
Lista Parti	4
Istruzioni di Assemblaggio	5
Messa a Terra	7
Istruzioni di Inclinazione.....	9
Istruzioni sulle Funzioni	10
Guida per iniziare ad allenarsi	17
Istruzioni per un Allenamento Sicuro	18
Esercizi di Riscaldamento	19
Guida alla Manutenzione	20
Regolazione del Nastro.....	20
Diagramma Esploso	21
Lista Parti.....	23
Significato dei Codici di Errore	25

Istruzioni di Sicurezza

Avvertenza:

Consultare il vostro medico o un professionista della salute prima di iniziare l'allenamento, particolarmente importante se la vostra età è superiore a 35 anni o una volta che avete avuto problemi di salute. Non ci assumiamo alcuna responsabilità per eventuali problemi o ferite se non seguite le nostre istruzioni. Il tapis roulant deve essere accuratamente assemblato e coperto con lo schermo del motore prima di collegarlo all'alimentazione.

Attenzione

1. Assicurarsi che il morsetto del blocco di sicurezza sia attaccato agli indumenti o alla cintura prima di utilizzare il tapis roulant.
2. Si prega di non inserire alcun oggetto in nessuna parte dell'attrezzo, in quanto potrebbe danneggiarlo.
3. Posizionare il tapis roulant su una superficie pulita e in piano. Non posizionare il tapis roulant su un tappeto spesso in quanto potrebbe interferire con la corretta ventilazione. Non posizionare il tapis roulant vicino a fonti d'acqua o all'aperto.
4. Non avviare mai il tapis roulant mentre ci si trova in piedi sul nastro scorrevole. Dopo aver acceso l'attrezzo e regolato il controllo della velocità, ci sarà una pausa prima che il nastro scorrevole inizi a muoversi, pertanto bisogna stare sempre sui poggiatesta sui lati del telaio finché il nastro non si muove.
5. Indossare indumenti appropriati quando si fa esercizio sul tapis roulant. Non indossare indumenti lunghi e larghi che potrebbero rimanere impigliati nel tapis roulant. Indossare sempre scarpe da corsa o aerobiche con soles in gomma.
6. Tenere i bambini e gli animali domestici lontano dal tapis roulant durante l'allenamento.
7. Non allenarsi per almeno 40 minuti dopo cena.
8. L'attrezzatura è adatta per adulti, i bambini devono essere accompagnati da adulti durante l'allenamento.
9. Aggrapparsi ai corrimano fino a quando non vi sentite a tuo agio e familiarizzate con il tapis roulant al primo allenamento.
10. Il tapis roulant è un'apparecchiatura per uso interno, non usare all'aperto per evitare danni. Mantenere l'attrezzo pulito e in piano, asciugandolo. Si prega di non utilizzare l'attrezzatura per altri scopi.
11. La linea di alimentazione del tapis roulant è speciale. Se la linea di alimentazione è danneggiata,

va acquistata dal distributore o contattare direttamente l'azienda produttrice.

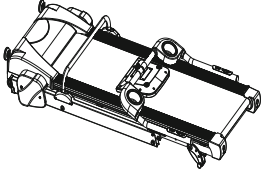
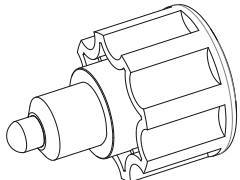
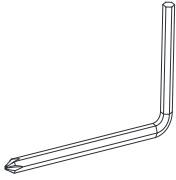
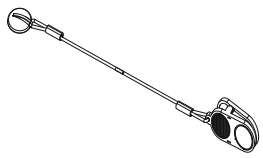
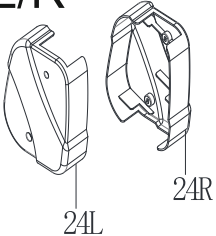
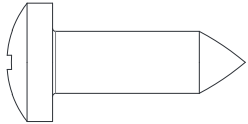
12. Se la velocità aumenta improvvisamente o inavvertitamente a causa di un guasto elettronico, rimuovere il blocco di sicurezza dalla console, quindi il tapis roulant si fermerà.

13. Non collegare altra linea al centro del cavo; non allungare il cavo o cambiare la spina del cavo; non appoggiare alcun oggetto pesante sul cavo o avvicinare il cavo a fonti di calore; vietare l'uso di prese multiple, potrebbero causare incendi o lesioni alle persone a causa del flusso di corrente. Quando si inserisce la spina, assicurarsi di inserirla nella presa con il circuito di messa a terra di sicurezza.

14. Quando l'apparecchiatura non viene utilizzata, interrompere l'alimentazione staccando la spina. Durante la pulizia della polvere, non tirare la linea di alimentazione in quanto potrebbe causare rotture alla linea. Una volta interrotta la linea elettrica, acquistare i componenti necessari dal distributore o contattare direttamente la nostra azienda, poiché la linea elettrica è dedicata al tapis roulant.

Lista Parti

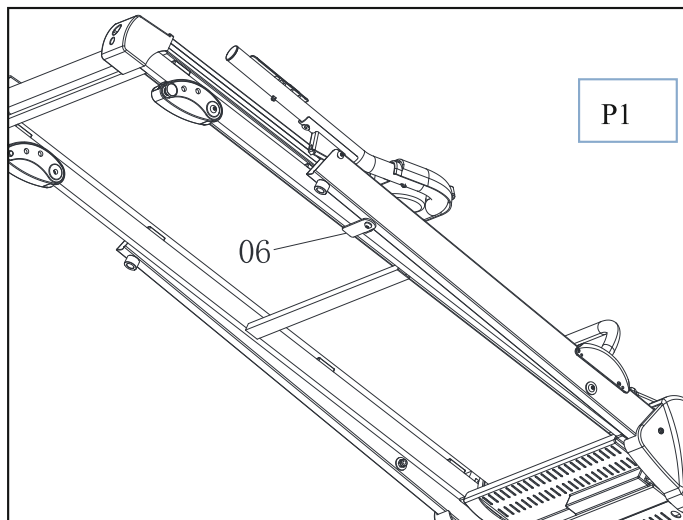
Quando aprite la confezione, troverete i seguenti pezzi:

1 	32 	71 	40 
24L/R 	60 		

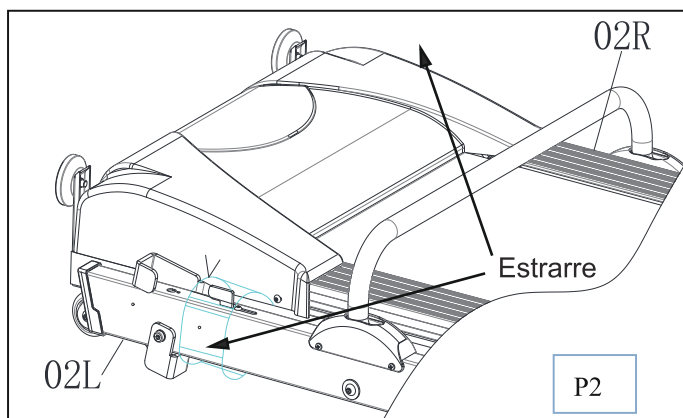
Lista componenti:

NO.	DESCRIZIONE	SPEC	QTA'	NO.	DESCRIZIONE	SPEC	QTA'
1	Telaio principale		1	71	Chiave a brugola	S6 55*95mm	1
32	Perno a rilascio rapido	M16	2	40	Chiave di sicurezza	Lunghezza filo 0.8m	1
24L/R	Cover decorativa verticale L/R		1/1	60	Vite	ST4.2*15	4

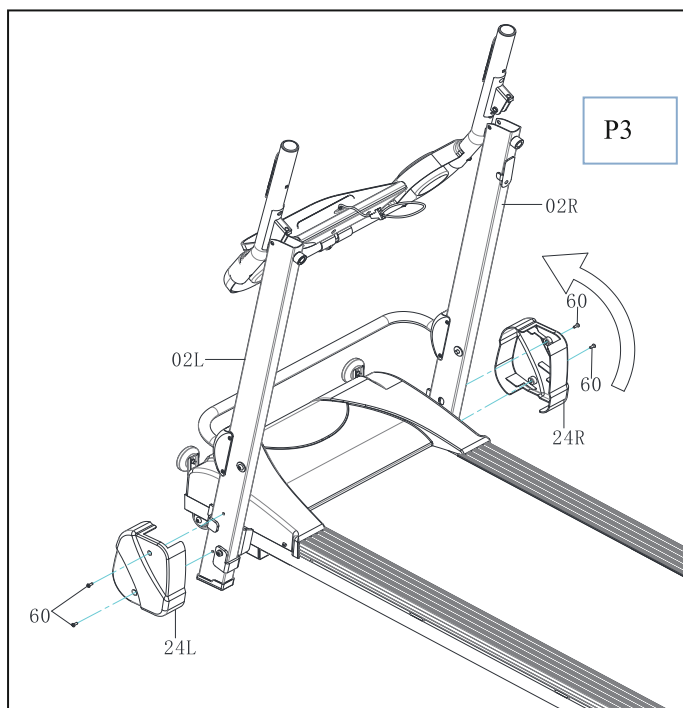
Istruzioni di Ripiegamento



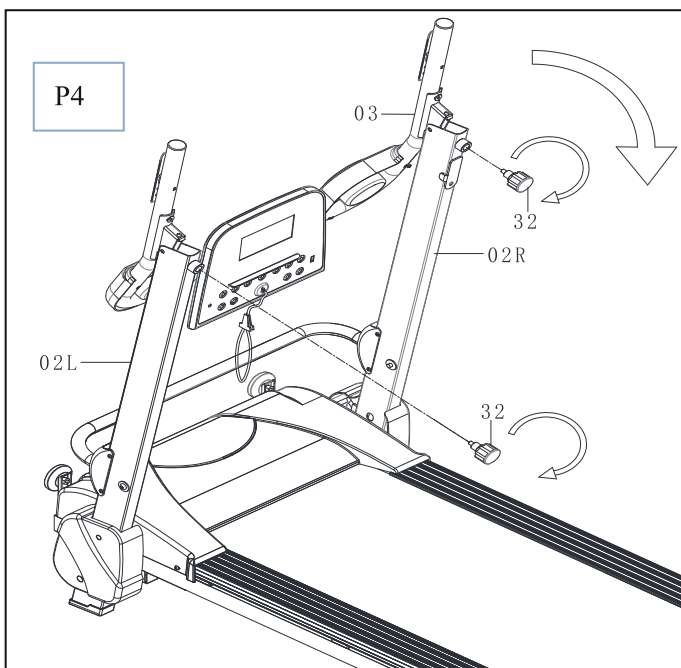
Passo 1: Ruotare la piastra di bloccaggio (06) di 90 ° in direzione della freccia. (P1)



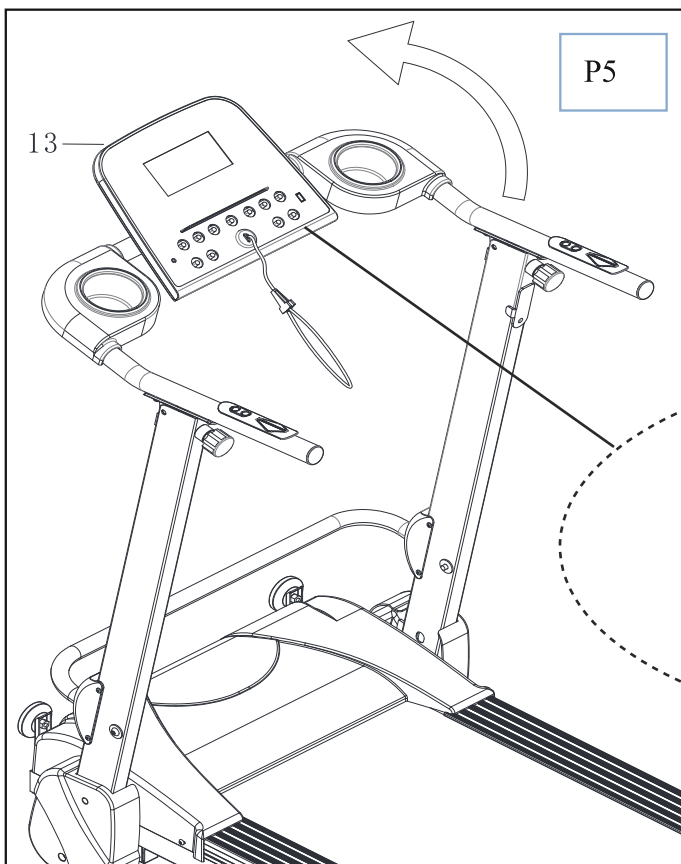
Passo 2: Ruotare la parte (02R / L) in direzione della freccia. (P2).



Passo 3: Ruotare il Telaio Montante Verticale (02R/L) come indicato dalla direzione della freccia. (P3). Mantenere i fori della Cover Decorativa Verticale (24L/R) allineati ai fori del Telaio Montante Verticale (02L/R), quindi fissar e in sicurezza la Cover Decorativa Verticale (24L/R) utilizzando la Vite (60).

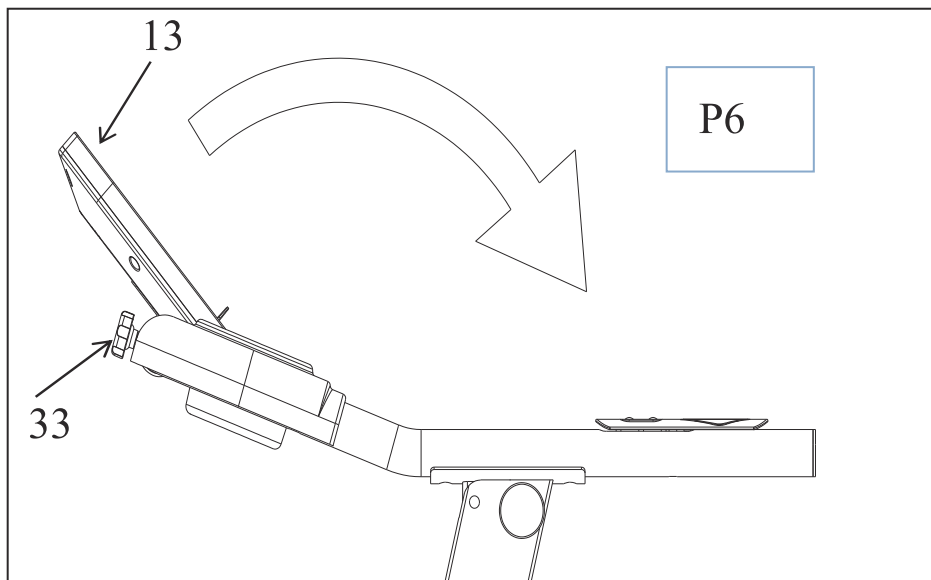


Passo 4: Regolare il manubrio (03) finché i fori non sono allineati, quindi installare il perno a rilascio rapido (32) e stirgerli nella direzione della freccia. (P4)

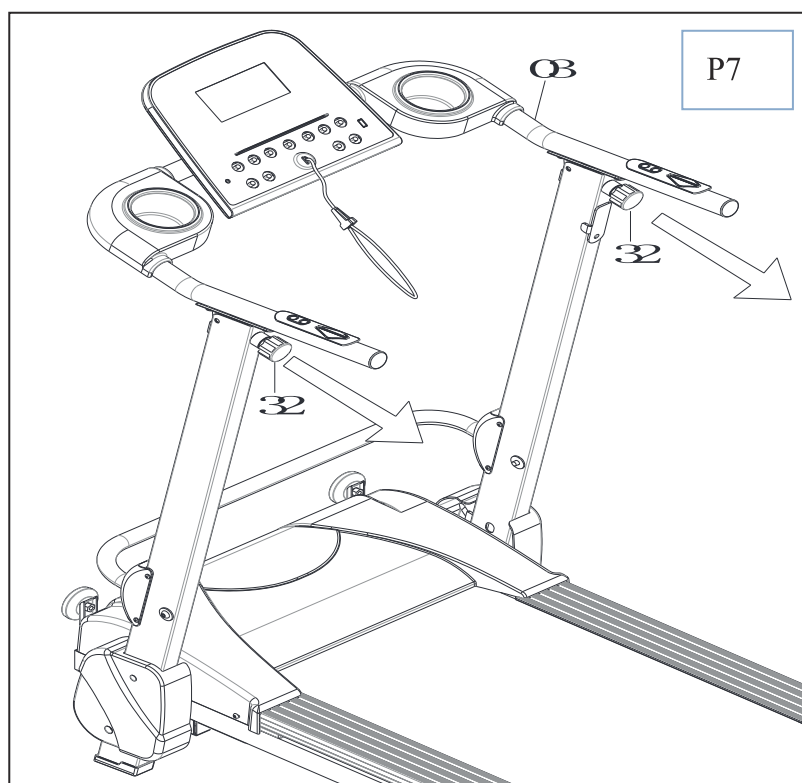


Passo 5: Regolare il computer (13) all'angolazione richiesta, quindi installare la manopola (33) e bloccarla. (P5)

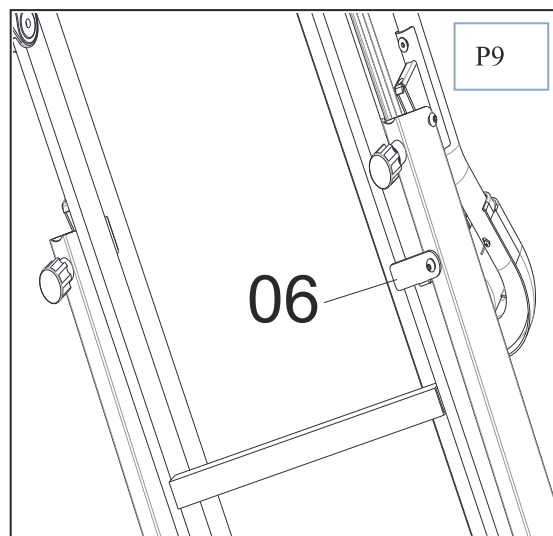
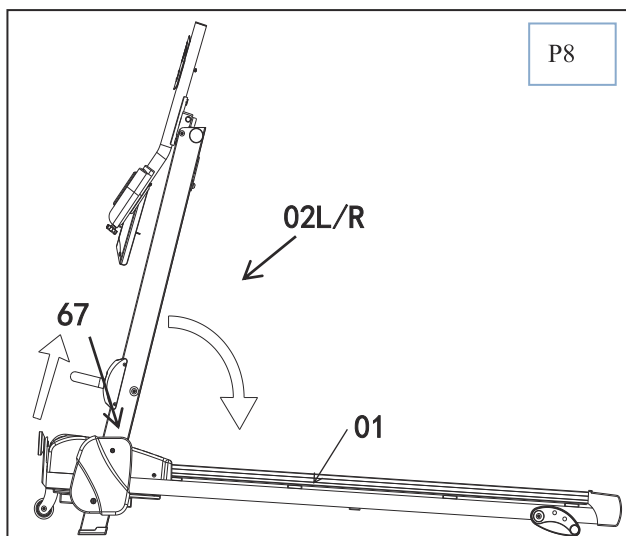
Messa a Terra



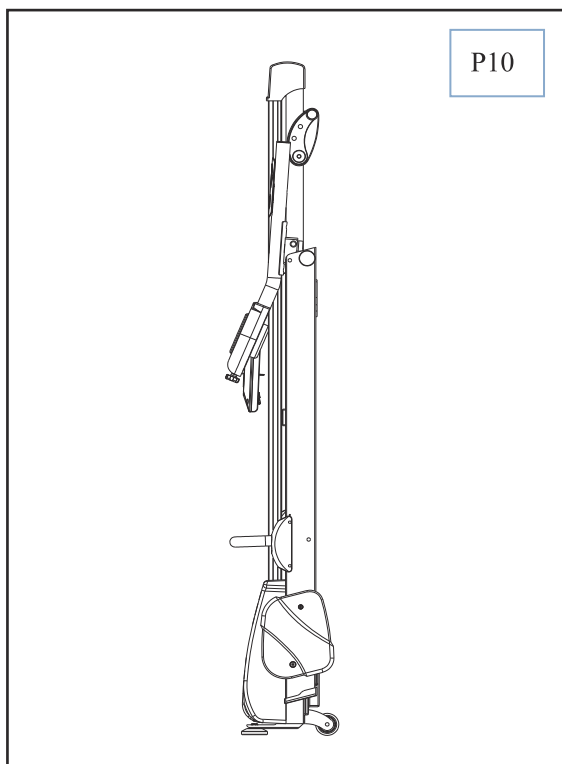
Passo 1: Ruotare la manopola (33) allentata, ruotare il computer (13) di 135 ° in direzione della freccia. (P6)



Passo 2: Estrarre contemporaneamente i perni (32) in direzione della freccia, ruotare il manubrio (03) in avanti in posizione. (P7)



Passo 3: Portare la barra di regolazione (67) in posizione come nella direzione della freccia, contemporaneamente il telaio del montante verticale (02L / R) nella direzione della freccia per livellare il telaio principale (01), (P8), quindi ruotare all'indietro la piastra di bloccaggio (06) in posizione iniziale. (P9)



Passo 4: Riporre in posizione verticale.(P10)

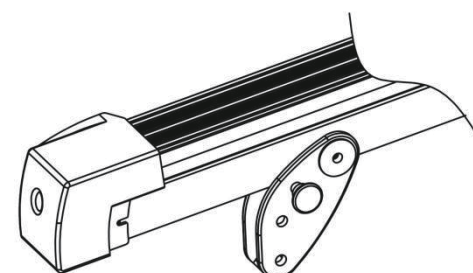
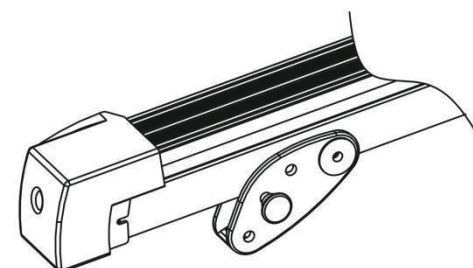
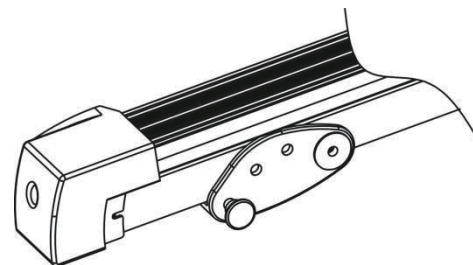
Attenzione: Non accendere l'alimentazione prima di aver completato il montaggio. Leggere attentamente le istruzioni per l'uso del tapis roulant.

Istruzioni per l'inclinazione

Questo prodotto deve essere collegato con messa a terra. In caso di malfunzionamento o guasto, la messa a terra fornisce un percorso di minima resistenza per la corrente elettrica per ridurre il rischio di prendere scosse elettriche. Questo prodotto è dotato di un cavo con un conduttore di messa a terra dell'apparecchiatura e una spina di messa a terra. La spina deve essere inserita in una presa appropriata che sia correttamente installata e messa a terra in conformità con tutti i codici e le ordinanze locali.

PERICOLO - Un collegamento improprio della spina di messa a terra dell'attrezzo può comportare il rischio di prendere scosse elettriche. Verificare con un elettricista qualificato o un tecnico dell'assistenza in caso di dubbi sul fatto che il prodotto sia correttamente collegato a terra. Non modificare la spina fornita con il prodotto: se non si adatta alla presa, fare installare una presa adeguata da un elettricista qualificato.

Questo prodotto deve essere utilizzato con un circuito da 220 volt nominali e dispone di una spina di messa a terra simile alla spina illustrata nella figura A di seguito. Assicurarsi che il prodotto sia collegato a una presa con la stessa configurazione della spina. Non utilizzare alcun adattatore con questo prodotto.



Come sopra, puoi regolare l'angolo di sollevamento cambiando la posizione del perno. Ci sono 3 sezioni chiave di regolazione da utilizzare.

Istruzioni sulle Funzioni

SCHERMO

1.Introduzione

Le funzioni del computer

- interfaccia riproduzione MP3
- interfaccia riproduzione USB
- funzione frequenza cardiaca



Convenzioni terminologiche utilizzate nelle istruzioni:

Parametri tapis roulant: valore "SPEED".

Parametro di movimento: valore "DIS", valore "TIME", valore "CAL" , valore "BEAT".

Modalità movimento: manuale, modello, programma.

Modalità movimento manuale: modalità movimento senza impostare la quantità' di allenamento.

Modalità movimento modello: modalità di movimento con volume di allenamento specifico.

Modalità sport programmata: diversi programmi sportivi impostati dal tapis roulant stesso. Dodici programmi sportivi impostati sul tapis roulant.

2.Specifiche

Parametri di movimento in varie modalita' di movimento:

- Velocità minima visualizzata 0,8 km / h
- Massima velocità visualizzata 14 km / h
- Tempo massimo di esercizio in modalità tempo: 99 minuti
- Tempo minimo di esercizio in modalità tempo: 8 minuti
- Distanza massima in modalità distanza: 99 km
- Distanza minima in modalità distanza: 1 km
- Consumo calorico massimo in modalità calorie: 990 calorie
- Consumo calorico minimo in modalità calorie: 20 calorie
- Il tempo di esecuzione più breve del programma (P1-P12): 8 minuti
- Il tempo di esecuzione più lungo del programma (P1-P12): 99 minuti

3.Descrizione Schermo LCD

Contenuti a schermo LCD (92264):

- Visualizzazione velocità
- Visualizzazione tempo
- Visualizzazione distanza
- Visualizzazione calorie
- Visualizzazione battito

4. Descrizione funzioni pulsanti

- PULSANTE VELOCITA' (3,5,7,9,12)
- START/STOP
- PULSANTE "PROGRAMMA"
- PULSANTE "MODALITA' "
- PULSANTE "VELOCITA' +/- "

5. Funzioni pulsanti

· Pulsante START: Accende l'attrezzo

- Descrizione funzione:**
1. Quando il computer è in modalità standby, inizia un conto alla rovescia di 5 secondi dopo aver premuto questo pulsante per avviare il motore.
 2. Quando si imposta la modalità, il computer può avviare il motore facendo un conto alla rovescia 5 secondi dopo aver premuto questo pulsante.
 3. Nello stato di programmazione, il computer può avviare il motore contando alla rovescia 5 secondi dopo aver premuto questo pulsante.

Pulsante STOP: Arresta il motore

- Descrizione funzione:**
1. Quando l'attrezzo è in funzione, premere questo pulsante per arrestare il motore.
 2. Quando il motore si arresta completamente, tutti i dati verranno riportati allo stato iniziale.

· Pulsante "PROGRAM": Selezione automatica del programma

- Descrizione funzione:**
1. In stato di standby, premere questo pulsante per accedere all'impostazione del programma automatico.
 2. Continuare a premere questo pulsante dopo aver premuto P12, sarà possibile accedere alle impostazioni personalizzate.
 3. Dopo aver inserito le impostazioni personalizzate, continuare a premere questo pulsante per accedere alle impostazioni del test del grasso corporeo.
 4. Flusso operativo: Programmazione - Impostazione del test del grasso corporeo - Ritorno allo stato iniziale

Pulsante "MODE": Scelta della modalità di conto alla rovescia

- Descrizione funzione:**
1. Quando il computer è in standby, premere questo tasto per impostare la modalità conto alla rovescia.
 2. Nello stato di impostazione del test del grasso corporeo, premere questo pulsante per accedere all'impostazione del parametro successivo.
 3. Processo di funzionamento in standby: conto alla rovescia
 4. Flusso operativo nelle impostazioni del test del grasso corporeo: impostazione del sesso, impostazione dell'età, regolazione dell'altezza, test del grasso corporeo
 5. Premere questo pulsante per inserire diversi periodi di tempo nelle impostazioni del programma personalizzato

Pulsante "SPEED +/-": Regolazione della velocità di marcia, impostazione dei parametri

Descrizione funzione: 1. Il valore della velocità del computer può essere regolato quando è in funzione.
2. Quando si imposta il parametro, il valore del parametro di impostazione può essere regolato.

Pulsante SPEED QUICK: Selezione diretta dei valori di velocità

Descrizione funzione: Nello stato di funzionamento del computer, premere questo pulsante per selezionare direttamente il valore di velocità corrispondente.

6. Descrizione modalità moto manuale

A. Modalità moto manuale

Entrare in modalità manuale: Dopo che il computer è acceso, esso entra nello stato di standby iniziale. A questo punto, premere il pulsante di avvio, quindi esso entra in modalità di funzionamento manuale

Istruzioni di marcia: la velocità di marcia iniziale è 0,8 km / h, il tempo, la distanza, la finestra delle calorie vengono contati da zero, in base al tasto di regolazione della velocità, il valore della velocità di marcia può essere regolato.
Se il tempo di esercizio è superiore a 99:59 minuti, il sistema non si interrompe e il tempo inizia di nuovo da zero.

B. Funzione modalità conto alla rovescia

1. Entrare in modalità conto alla rovescia: Nello stato di standby iniziale, selezionare la modalità di conto alla rovescia del tempo premendo il pulsante modalità'. A questo punto, la finestra temporale mostra 30:00 minuti e lampeggia per mostrare che il tempo di esecuzione richiesto può essere impostato tramite il pulsante "SPEED +/-". L'intervallo di impostazione è tra 8: 00-99: 00 minuti. Premere il pulsante di avvio per accedere alla modalità di conto alla rovescia del tempo.

Istruzioni di corsa : La velocità iniziale di 0,8 KM / H viene impostata in base al tempo di funzionamento, iniziando il conto alla rovescia del tempo e della distanza, e conta le calorie partendo da zero. Premendo il pulsante "SPEED +/-", la il valore di velocità può essere regolata, e quando si imposta il tempo su zero l'orologio elettronico smette lentamente di funzionare, la velocità viene ridotta a zero, e torna automaticamente alla modalità standby iniziale.

2. Entrare in modalità conto alla rovescia della distanza: Nello stato iniziale, selezionare la modalità di conto alla rovescia della distanza premendo il relativo pulsante. A questo punto, lo schermo mostra 0,8 chilometri e lampeggia. La distanza da impostare può essere impostata tramite il pulsante "SPEED +/-". L'intervallo è 1,0-99,0 chilometri. Premere il pulsante di avvio per accedere alla modalità di conto alla rovescia della distanza.

Istruzioni di corsa: La velocità di corsa iniziale è 0,8 KM / H, la finestra della distanza conta alla rovescia in base alla distanza impostata, la schermata del tempo e delle calorie conta positivamente da zero e il pulsante "VELOCITÀ +/-" può regolare il valore della distanza da percorrere. Quando la distanza impostata scende a zero, il computer inizia a smettere di funzionare lentamente e torna automaticamente allo stato di iniziale dopo che la velocità arriva a zero.

3. Entrare in modalità conto alla rovescia delle calorie: Nello stato di standby iniziale, la modalità di conto alla rovescia delle calorie viene selezionata premendo il pulsante della modalità. A questo punto, la schermata delle calorie mostra un valore di 50 e lampeggia. Le calorie da raggiungere possono essere impostate tramite il pulsante "SPEED +/-" e con un intervallo compreso tra 20 e 990. Premendo il pulsante di avvio, è possibile utilizzare la modalità di conto alla rovescia delle calorie.

Istruzioni sulla corsa:

Velocità iniziale di 0,8 KM / H, la schermata di conteggio delle calorie, la schermata del tempo e della distanza partono da zero, premere il pulsante "SPEED +/-", il valore della velocità è regolabile, regolare il valore del gradiente, quando il contatore di calorie arriva a zero, l'orologio elettronico inizia a smettere lentamente di funzionare, riducendo la velocità a zero e dopo ritorna in modalità standby iniziale automaticamente.

C. Funzione programmazione automatica

Accesso al programma automatico: Nello stato iniziale o nello stato di impostazione della modalità, premere il pulsante del programma per accedere alla selezione automatica del programma. A questo punto, la schermata del tempo mostra 30:00 minuti e lampeggia (il tempo di allenamento richiesto può essere impostato tramite il pulsante "SPEED +/-" e l'intervallo di impostazione è compreso tra 8:00 e 99:00 minuti). Premere il pulsante di avvio per entrare nel programma automatico in corso.

Istruzioni di marcia : Il programma automatico è diviso in 20 sezioni, la velocità in base al programma viene definita automaticamente per ogni segmento di tempo di corsa, ed è 1/20 del tempo impostato, impostato in base al funzionamento della schermata del tempo, la quale comincia a contare alla rovescia il tempo e la distanza, e a partire da zero conta le calorie. Premere il pulsante "SPEED +/-" per regolare i valori della velocità, quando il programma viene eseguito nel blocco successivo, il valore della velocità si regola automaticamente in base a dei valori predefiniti, quando il tempo arriva a zero, il computer inizia a smettere lentamente di funzionare, la velocità viene ridotta a zero, e ritorna automaticamente alla modalità standby iniziale.

D. Programma personalizzato (U1-U3):

Oltre ai 12 programmi integrati nel sistema, il tapis roulant dispone anche di tre programmi personalizzati dall'utente che consentono agli utenti di configurarli autonomamente in base alle proprie esigenze: U1, U2, U3.

1. Impostazioni del programma personalizzato dall'utente :

Premere il pulsante "PROGRAMMA" in stato di standby fino ad arrivare al programma personalizzato dall'utente (U1-U3) che si desidera scegliere, premere il pulsante "MODALITÀ" per determinare le impostazioni di ingresso, quindi impostare la velocità per il primo blocco temporale. Durante l'impostazione, utilizzare il pulsante "SPEED +/-" o il pulsante SPEED QUICK per impostare la velocità. Premere il pulsante "MODE" per impostare un periodo di tempo e premere due volte per impostare lo stato direttamente. Dopo aver completato tutte le 20 impostazioni del periodo di tempo (visualizzazione della finestra calorie S1-S20); dopo che le impostazioni sono state completate, i dati verranno salvati in modo permanente fino al prossimo ripristino, durante le impostazioni non è possibile spegnere l'attrezzo, altrimenti i dati non possono essere salvati automaticamente.

2. Avvio del programma personalizzato dall'utente :

A. Premere il pulsante "PROGRAMMA" continuamente in stato di standby fino a quando si raggiunge il programma definito dall'utente (U1-U3), quindi premere il pulsante di avvio per avviarlo.

B. Premere il pulsante di avvio immediatamente dopo aver completato il programma definito dall'utente e le impostazioni del tempo di esecuzione.

3. Impostazioni del programma personalizzato dall'utente :

Ogni programma divide il tempo di esecuzione in 20 blocchi. La velocità, la pendenza e il tempo di corsa di tutti e 20 i blocchi devono essere impostati prima di poter avviare il tapis roulant premendo il pulsante di avvio.

4. La velocità può essere regolata tramite il pulsante "SPEED +/-" durante il funzionamento. Quando l'ultima fase di funzionamento è terminata, esso entra automaticamente nella fase successiva di funzionamento e la velocità viene automaticamente regolata al valore impostato della sezione.

7. Descrizione funzione test grasso corporeo

Accedere alle impostazioni del test del grasso corporeo:

Nello stato di standby iniziale o nello stato di impostazione della modalità, premere il pulsante "PROGRAMMA" per selezionare il test del grasso corporeo (nello stato di impostazione del programma automatico P12, premere il pulsante "PROGRAMMA" per accedere al test del grasso corporeo).

Istruzioni per l'impostazione del test del grasso corporeo:

Dopo essere entrati nello stato di impostazione del test del grasso corporeo, la finestra della distanza visualizza la funzione del parametro (-X-), la schermata delle calorie mostra il valore impostato, regolare il valore dell'impostazione con il pulsante "SPEED +/-" e scegliere di accedere all'impostazione successiva in con il pulsante "MODE".

La prima è l'impostazione del sesso (-1-): valore iniziale 1 (range 1-2, 1 per gli uomini; 2 per le donne)

Il secondo elemento è l'impostazione dell'età (-2-): valore iniziale 25 (intervallo 10-99 anni)

Il terzo elemento è l'impostazione dell'altezza (-3-): valore iniziale 170 (intervallo 100-220 CM)

Il quarto elemento è l'impostazione del peso (-4-): valore iniziale 70 (intervallo di impostazione 20-150 KG)

Il quinto elemento è il test del grasso corporeo (-5-): valore iniziale ---

Test del grasso corporeo:

Una volta completate le impostazioni, immettere il 5' test del grasso corporeo, che mostra inizialmente un valore "---". A questo punto, tenendo le mani sui sensori palmari per circa 5 secondi verrà visualizzato l'indice del test del grasso corporeo.

Spiegazione dell'indice di grasso corporeo:

L'indice di grasso corporeo misura la relazione tra altezza e peso di una persona, e' adatta per uomini e donne, insieme ad altri indicatori di salute, per regolare il proprio peso. L'indice di grasso corporeo ideale deve essere compreso tra 20 ~ 25, se inferiore a 19, si e' troppo magri, se tra 26 ~ 29, si e' in sovrappeso, e si e' obesi se e' più di 30, ha detto (nota: i dati sono solo di riferimento, non considerarli come dati medici).

8. Descrizione funzione frequenza polso

Funzione sensori palmari:

I palmi di entrambe le mani vanno posti sui sensori palmari rispettivamente dei braccioli sinistro e destro. Vanno tenuti naturalmente sulle maniglie su entrambi i lati. Dopo circa 5 secondi, la schermata LCD di visualizzazione del battito cardiaco visualizzerà il valore iniziale del battito cardiaco. Si prega di tenere le mani ferme. La schermata del display del battito cardiaco mostrerà lentamente i dati a schermo e si avvicinerà al valore effettivo del battito cardiaco in 30 secondi.

Istruzioni per la funzione dei sensori palmari:

Le seguenti condizioni possono produrre dati di battito cardiaco irregolare:

1. Quando si fa il test, non stringere troppo la mano. Si prega di mantenere una pressione moderata.
2. Durante la corsa, fare test tenendo impugnature mentre si corre produrrà cambiamenti costanti nel contatto. Durante il test e la corsa, si consiglia di interrompere il movimento, stare sui bordi bilaterali dei piedi e tenere le mani ferme sui sensori.
3. Persone con mani secche o fredde o pelle di palmo particolarmente spessa.

Nota: i dati del test del battito cardiaco del polso della mano non possono essere utilizzati come dati medici ma sono solo come riferimento per l'esercizio a causa del metodo di misurazione e dei motivi di molti fattori di influenza.

9. Descrizione della funzione standby

Quando il tapis roulant smette di funzionare, se non viene eseguita alcuna operazione per più di 10 minuti, entrerà in uno stato di standby. Il computer spegnerà automaticamente il display e basta premere un pulsante qualsiasi per riattivare il computer, e rientrare nello stato di standby iniziale.

10. Descrizione della funzione di blocco di sicurezza

Nell'uso normale dell'attrezzo, il blocco di sicurezza deve essere posizionato nella posizione designata del computer prima che esso possa essere utilizzato e il blocco di sicurezza possa essere rimosso. La finestra LCD del computer mostrerà E07 o "-". Se il blocco di sicurezza viene disattivato durante il funzionamento, il sistema si spegnerà rapidamente e tutti i dati di movimento verranno cancellati dopo l'attivazione del blocco di sicurezza.

11. Descrizione della funzione MP3

Dopo l'accensione, la musica può essere riprodotta quando si accede a MP3 esterni o ad altri dispositivi audio. Il volume può essere regolato tramite il pulsante Volume +/- . Si prega di prestare attenzione al controllo del volume, in modo da non influire sulla qualità della riproduzione di musica e sul circuito di controllo audio all'interno del computer.

12. Funzione USB

Dopo che il computer è stato acceso, il telefono cellulare può essere caricato inserendo cavo del caricatore.

13. Vari display numerici dei parametri:

	INIZIO	VALORE IMPOSTATO	RANGE VALORI	VALORE VISUALIZZATO
TEMPO (MIN: SECONDI)	0:00	30:00	8:00-99:00	0:00~99:59
VELOCITA'(KM/H)	0.0	N/A	N/A	0.8-14
DISTANZA(KM)	0.0	1.0	1.0-99.0	0.0-99.9
BATTITO(BEAT/MIN)	P	N/A	N/A	40-199
CALORIE(KCAL)	0	50	20-990	0-999

Tabella 1: P1—P12 TABELLA PROGRAMMA DI ESERCIZIO

Tempo Programmi	TEMPO IMPOSTATO / 20 = OGNI SCALINO																			
	1	2	3	4	5	6	7	8	9	10	11	12	13	14	15	16	17	18	19	20
P1 SPD	2	3	3	4	5	3	4	5	5	3	4	5	4	4	4	2	3	3	5	3
P2 SPD	2	4	4	5	6	4	6	6	6	4	5	6	4	4	4	2	2	5	4	1
P3 SPD	2	4	4	6	6	4	7	7	7	4	7	7	4	4	4	2	4	5	3	2
P4 SPD	3	5	5	6	7	7	5	7	7	8	8	5	9	5	5	6	6	4	4	3
P5 SPD	2	4	4	5	6	7	7	5	6	7	8	8	5	4	3	3	6	5	4	2
P6 SPD	2	4	3	4	5	4	8	7	6	7	8	3	6	4	4	2	5	4	3	2
P7 SPD	2	3	3	3	4	5	3	4	5	3	4	5	3	3	3	6	6	5	3	3
P8 SPD	2	3	3	6	7	7	4	6	7	4	6	7	4	4	4	2	3	4	4	2
P9 SPD	2	4	4	7	7	4	7	8	4	8	9	9	4	4	4	5	6	3	3	2
P10 SPD	2	4	5	6	7	5	4	6	8	8	6	6	5	4	4	2	4	4	3	3
P11 SPD	3	4	5	9	5	9	5	5	5	9	5	5	5	5	9	9	8	7	6	3
P12 SPD	2	5	8	10	7	7	10	10	7	7	10	10	6	6	9	9	5	5	4	3

Guida per iniziare ad allenarsi

Fase di riscaldamento :

Se avete più di 35 anni o non siete molto in forma, anche se è il vostro primo esercizio, consultare il vostro medico o un professionista.

Prima di utilizzare il tapis roulant motorizzato, imparare a controllare l'attrezzo, sapere bene come avviarlo, arrestarlo, regolarne la velocità e così via; non salire sulla macchina subito. Per prima cosa, stare su entrambi i lati su un cuscinetto antiscivolo e afferrare il manubrio con entrambe le mani. Mantenere la macchina a bassa velocità di circa 1,6 ~ 3,2 km / h, quindi provare a correre con un piede, dopo esservi abituati alla velocità, potete correre sulla macchina e puoi aumentare la velocità tra 3 e 5 km / h. Mantenere la velocità per circa 10 minuti, quindi arrestare la macchina.

Fase di esercizio :

Imparare come regolare la velocità e l'inclinazione prima dell'uso. Camminare per circa 1 km a velocità stabile e annotare il tempo, impiegherete circa 15-25 minuti. Se camminate a 4,8 km / h, impiegherete circa 12 minuti in 1 km. Se vi sentite a vostro agio a questa velocità stabile, potete aumentare la velocità e l'inclinazione, dopo 30 minuti, potete fare un buon esercizio. In questa fase, non è possibile aumentare troppo la velocità o l'inclinazione in una volta, in quanto può farvi sentire a disagio.

Intensità' di esercizio :

Riscaldarsi alla velocità di 4,8 km / h per 2 minuti, quindi aumentare la velocità a 5,3 km / h e continuare a camminare per 2 minuti, quindi aumentare a 5,8 km / h e camminare per 2 minuti. Dopodiché, aumentare di 0,3 km / h ogni 2 minuti, fino a quando si respira rapidamente ma vi sentite a vostro agio

Bruciare calorie --- il modo più efficace

Riscaldamento per 5 minuti alla velocità: 4-4,8 km / h, quindi aumentare lentamente la velocità di 0,3 km / ora / 2 zecche, fino a raggiungere la velocità stabile che ritenete comoda per 45 minuti. Per migliorare l'intensità del movimento, è possibile mantenere la velocità durante 1 H guardando un programma TV, quindi aumentare la velocità di 0,3 KM / H ogni intervallo di tempo della pubblicità, dopodiché tornare alla velocità originale. È possibile raggiungere la migliore efficienza dell'allenamento per bruciare calorie durante il tempo della pubblicità e il successivo aumento della frequenza cardiaca. Infine, rallentare la velocità passo dopo passo per 4 minuti.

Frequenza di esercizio :

Ciclo: 3-5 volte / settimana, 15-60 minuti / volte. Preparare il programma di allenamento in modo scientifico, non solo come hobby.

È possibile controllare l'intensità della corsa regolando la velocità e l'inclinazione del tapis roulant. Vi suggeriamo di non impostare inizialmente l'inclinazione; migliorare l'inclinazione è il modo efficace per rafforzare l'intensità dell'esercizio.

Istruzioni di sicurezza

Consultare il vostro medico o professionista della salute prima di iniziare ad allenarsi. I professionisti possono aiutarvi a creare la tabella dei tempi di esercizio adatta in base alla vostra età e condizioni di salute; determinare la velocità del movimento e l'intensità dell'esercizio. Si prega di interrompere immediatamente se si avvertono oppressione toracica, dolore toracico, battito cardiaco irregolare, difficoltà respiratorie, vertigini o altri disturbi durante l'allenamento. Consultare il medico o professionista della salute prima di continuare.

Potete scegliere la velocità di camminata normale o quella di jogging, se vi alleni spesso con il tapis roulant. Se non avete abbastanza esperienza o, puoi seguire queste istruzioni:

Velocità 1,0-3,0KM / H condizione fisica non ottimale

Velocità 3,0-4,5KM / H poco allenamento

Velocità 4,5-6,0 KM / H camminata normale

Velocità 6,0-7,5 km / h camminata veloce

Velocità 7,5-9,0 KM / H Jogging

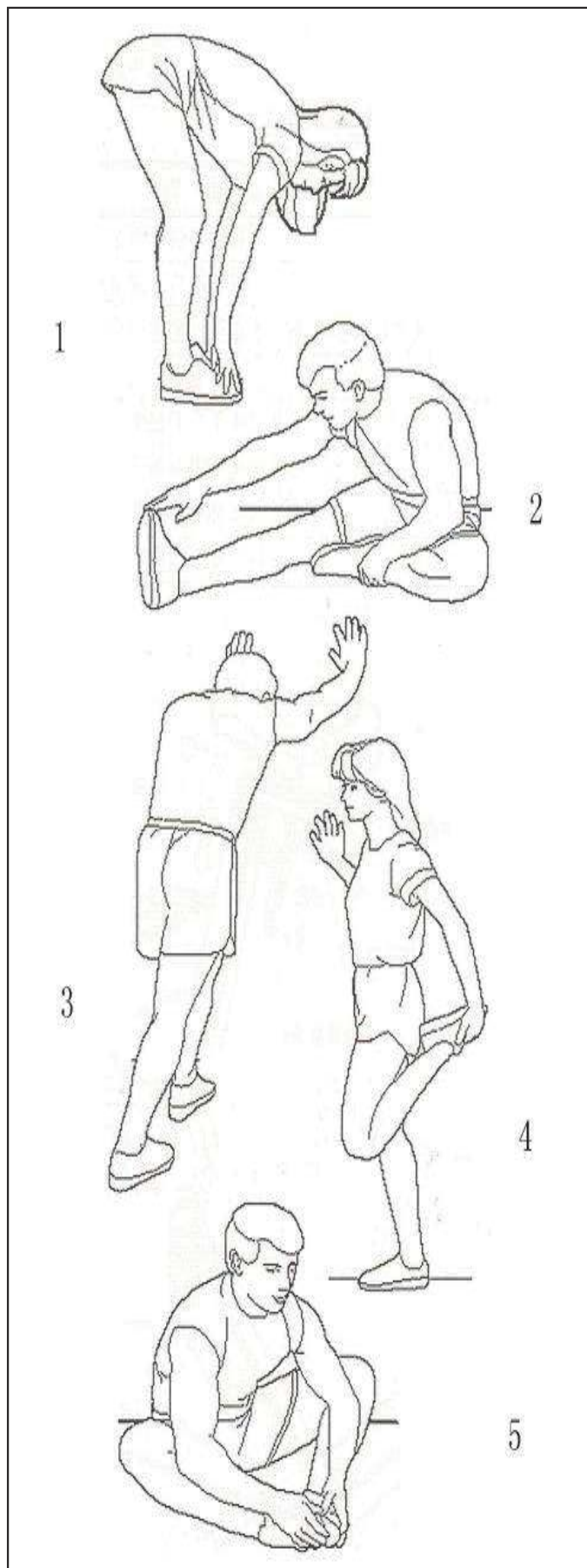
Velocità 9,0-12,0 KM / H camminata a velocità intermedia

Velocità 12,0-14,5 M / H corridore esperto

Velocità 14,5-16,0 KM / H ottimo corridore

Attenzione: 6 km / ho è appropriato per gli escursionisti; Una velocità maggiore o uguale a 8,0 km / h è appropriata per i corridori.

Esercizio di riscaldamento



Prima dell'esercizio, è meglio che scaldare i muscoli in modo che si allunghino più facilmente, quindi usare i primi 5 ~ 10 minuti per riscaldarsi. Poi, in conformità con i seguenti metodi, fermarsi e fare esercizi di stretching - cinque volte, una volta per gamba, 10 secondi o più per volta, e farlo di nuovo dopo la fine dell'esercizio.

1. Allungamento: ginocchia leggermente curve, il corpo piegato in avanti lentamente, in modo che la schiena e le spalle si rilassino, cercare di toccare le dita dei piedi con le mani. Mantenere 10-15 secondi e poi rilassati. Ripeti tre volte (vedi Figura 1).

2. Stretching dei muscoli posteriori della coscia: sedersi su un sedile pulito, mettere una gamba dritta. Tirare verso l'interno vicino all'altra gamba, portarla vicina alla gamba interna dritta. Provare a toccare le dita dei piedi con la mano. Mantenere per 10-15 secondi e poi rilassare. Ripetere per ciascuna gamba tre volte (vedere Figura 2).

3. Allungamento dei tendini delle gambe e dei piedi: appoggiarsi sulla parete o su supporto come un albero, portare un piede indietro. Tenere le gambe dritte e il tallone per inclinare verso la direzione del muro. Mantenere 10-15 secondi e poi rilassare. Ripetere per ciascuna gamba tre volte (vedere Figura 3).

4. Allungamento dei quadricipiti: portare la mano sinistra sul muro o su un tavolo e bilanciarsi, quindi allungare la mano destra all'indietro per afferrare il piede destro e portarlo ai glutei con una leggera trazione fino a sentire i muscoli della coscia anteriori tesi. Mantenere 10-15 secondi e poi rilassare. Ripetere per ciascuna gamba per tre volte (vedere Figura 4).

5. Stretching del muscolo sartorio (muscoli interni della coscia): piegare piede nel verso opposto, con il ginocchio verso l'esterno come per sedersi. Afferrare i piedi con le mani per tirare l'inguine. Mantenere dai 10 ai 15 secondi e poi rilassare. Ripetere tre volte (vedere la figura 5).

Guida alla manutenzione

Avvertenza: SCOLLEGARE SEMPRE IL TAPIS ROULANT DALLA PRESA ELETTRICA PRIMA DI PULIRE O DI EFFETTUARE LA MANUTENZIONE DELL'UNITÀ.

Pulizia: la pulizia generale o l'unità prolungherà notevolmente la vita del tapis roulant.

Tenere pulito il tapis roulant spolverando regolarmente. Assicurarsi di pulire la parte esposta del nastro su entrambi i lati e anche i binari laterali. Ciò riduce l'accumulo di materiale estraneo sotto il nastro scorrevole, e indossare scarpe da corsa pulite.

Avvertenza: scollegare sempre il tapis roulant dalla presa elettrica prima di rimuovere il coperchio del motore. Almeno una volta all'anno, rimuovere il coperchio del motore e aspirare sotto di esso.

Regolazione nastro

LUBRIFICAZIONE NASTRO E PONTE DA CORSA

Questo tapis roulant è dotato di un sistema di ponte pre-lubrificato a bassa manutenzione. L'attrito cinghia / ponte svolge un ruolo importante nel funzionamento e nella durata del tapis roulant, richiedendo quindi una lubrificazione periodica. Si consiglia un controllo periodico del nastro. È necessario contattare il nostro centro di assistenza se si trovano danni al ponte.

Si consiglia la lubrificazione del nastro secondo il seguente metodo:

- Utente a consumo leggero (meno di 3 ore / settimana) - Annualmente
- Utente a consumo medio (3-5 ore / settimana) - Ogni sei mesi
- Utente a consumo pesante (più di 5 ore / settimana) - ogni tre mesi

Si consiglia di acquistare la lubrificazione dal nostro distributore o direttamente alla nostra azienda.

Attenzione: qualsiasi riparazione necessita di un tecnico professionista.

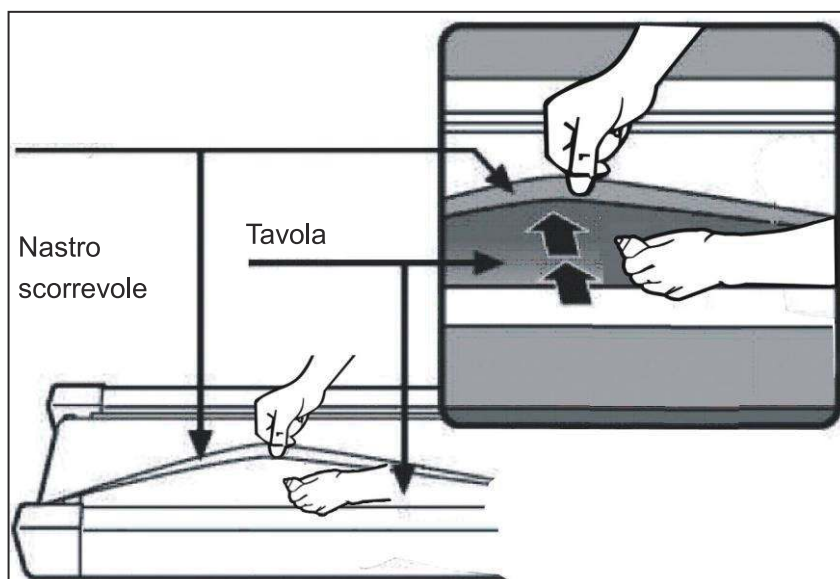
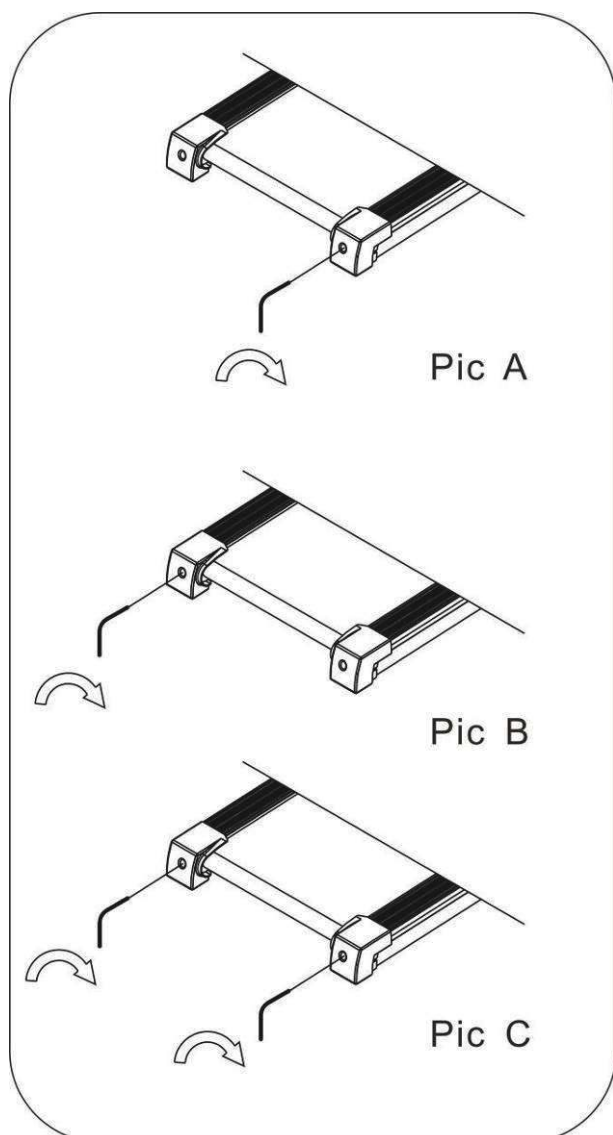


Diagramma Esploso

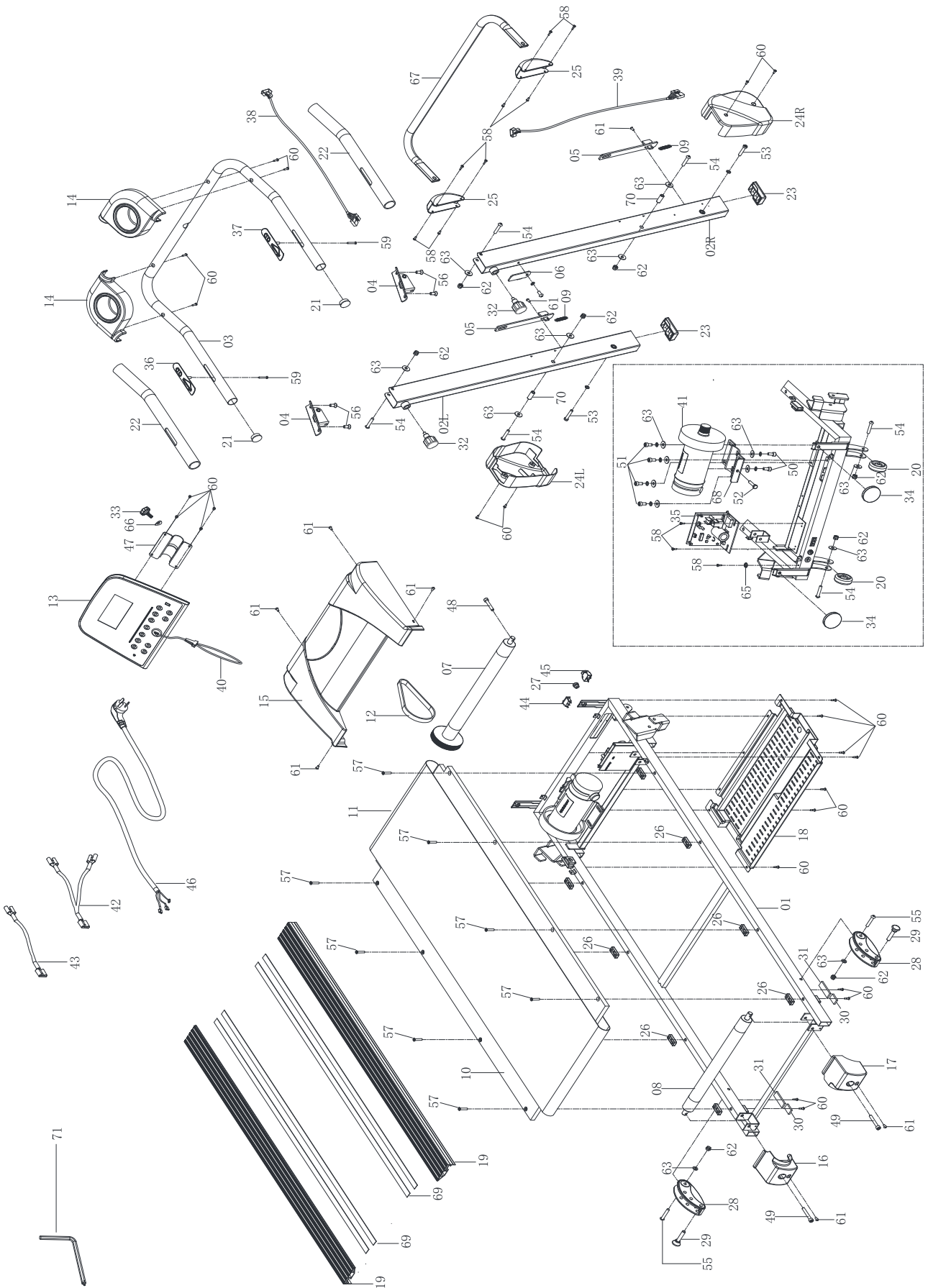


Se la cintura si è spostata a destra, scollegare il blocco di sicurezza e l'interruttore di alimentazione e ruotare il bullone di regolazione destro di 1/4 di giro in senso orario, quindi inserire l'interruttore di alimentazione e il blocco di sicurezza, riavviare il tapis roulant e osservare il nastro scorrevole per vedere se cambia ancora direzione. Ripetere i passaggi precedenti fino a quando il nastro da corsa è allineato al centro. vedere la figura A.

Se il nastro del tapis roulant devia a sinistra, scollegare il blocco di sicurezza, spegnere l'alimentazione, quindi con il bullone di regolazione sinistro ruotare in senso orario di 1/4 di giro e accendere il blocco di sicurezza e accendere per far funzionare il tapis roulant, controllando la deviazione del nastro del tapis roulant. Ripetere i passaggi precedenti fino a quando il nastro non è centrato. Vedere la figura B.

La cintura del tapis roulant si allentera' gradualmente dopo i passaggi precedenti o dopo un periodo di tempo di utilizzo, scollegare il blocco di sicurezza e spegnere l'alimentazione, con i due bulloni di regolazione che ruotano in senso orario di 1/4 giri e accendere il blocco di sicurezza e l'alimentazione per fare tapis roulant in funzione, quindi mettersi in piedi sul nastro per confermarne la tenuta. Ripetere i passaggi precedenti fino a quando la cinghia non è sufficientemente tesa. Vedere la figura C.

Lista Parti



Lista parti

NO	DESCRIZIONE	SPEC	QTA	NO	DESCRIZIONE	SPEC	QTA
1	Telaio principale		1	25	Cover barra di regolazione	138*37,5*48	2
2	Telaio montante verticale		2	26	Cuscinetto	17*40*10	8
3	Manubrio		1	27	Clip cavo alimentazione	6W3-4	1
4	Piastra di bloccaggio del manubrio L/R		2	28	Leva regolazione manuale	36*65*145	2
5	Ponte regolabile		2	29	Perno a sfera	Φ27*Φ9,9*38mm	2
6	Piastra di bloccaggio		1	30	Cuscinetto 1	20*30*5,0	2
7	Rullo frontale	Φ42*478*Φ100*Φ15*515	1	31	Cuscinetto 2	20*55*5,0	2
8	Rullo posteriore	Φ38*440*Φ15*496	1	32	Perno ad estrazione rapida		2
9	Molla		2	33	Manopola di regolazione	Φ37*18*M8*20	1
10	Ponte da corsa	T15*560*1215	1	34	Manopola di regolazione	Φ60*30*M8*10	1
11	Nastro scorrevole	T1.4*420*2690	1	35	Telecomando		1
12	Nastro guida	190-J5	1	36	Pulsante START/STOP	850mm	1
13	Computer		1	37	Pulsante velocita'	850mm	1
14	Porta bottiglia		2	38	Computer superiore	850mm	1
15	Cover superiore motore	350*580*100	1	39	Cavo inferiore computer	2000mm	1
16	Cappuccio estremita' sinistra	95*90*95	1	40	Chiave di sicurezza	1200mm	1
17	Cappuccio estremita' destra	95*90*95	1	41	Motore DC	Φ30,Φ86	1
18	Cover inferiore motore	320*558*50*T1,8	1	42	Cavo doppio AC	250mm	1
19	Guide laterali	36*80*1190	2	43	Cavo singolo AC	250mm	1
20	Ruote	Φ54*Φ8,5*22	2	44	Interruttore quadrato		1
21	Cappuccio estremita' manubrio	Φ32.1.4	2	45	Protezione sovraccarico	125/250VAC	1
22	Schiuma manubrio	Φ30*38*420	2	46	Cavo alimentazione	10/15A 1800mm	1
23	Cappuccio montante verticale	35*80*36	2	47	Supporto computer		1
24	Cover decorazione verticale L/R	180*208*52	2	48	Bullome	M8*45	1

NO	DESC	SPEC	Q'TY	NO	DESC	SPEC	Q'TY
49	Bullone	M8*60	2	60	Vite	ST4.2*15	23
50	Bullone	M8*12	3	61	Vite	M5*10	8
51	Bullone	M8*20 S6	4	62	Dado	M8 S13	8
52	Bullone	M8*40	1	63	Rondella piatta	Φ9*Φ16*t1,0	14
53	Bullone	M8*50	2	64	Rondella elastica	D8	8
54	Bullone	M8*40	6	65	Rondella chiusa	Φ5,2*Φ10*t1	1
55	Bullone	M8*45	2	66	Rondella ad arco	Φ25*Φ8,5*t1,5	1
56	Bullone	M8*25	4	67	Barra regolabile		1
57	Bullone	M6*40	8	68	Supporto motore		1
58	Vite	ST4,2*12	11	69	Colla EVA	2,0*20*1180	4
59	Vite	ST4,2*30	2	70	Perno in plastica	12*8,2*30	
				71	Chiave a brugola	S6 80*80mm	1

Significato dei codici di errore

Istruzioni sui messaggi di errore del Sistema DC tapis roulant

E01: Indica fenomeni anormali della comunicazione del computer e del controllo elettronico

E01 Soluzioni ai problemi piu' comuni	La linea di comunicazione del computer non è ben collegata, e' interrotta o non c'e' contatto.	Si prega di ricollegare la linea di comunicazione
	Nessun segnale in uscita dal computer	Sostituire il computer da riparare
	Nessun segnale in uscita dal pannello di controllo	Sostituire il pannello di controllo da riparare

E02: Indica fenomeni anomali tra pannello di controllo e motore

E02 Soluzioni ai problemi piu' comuni	Il cavo del motore non è collegato correttamente	Controllare se i cavi del motore sono collegati correttamente
	Nessuna tensione in uscita o tensione anormale del pannello di controllo	Sostituire il pannello di controllo da riparare
	Problemi al motore	Sostituire il motore

E03: Indicates the abnormal phenomenon of the down-control detection speed

E03 Soluzioni ai problemi piu' comuni	Induttore fotoelettrico montato in modo errato sul motore (modalità fotosensibile)	Assemblare nuovamente
	Induttore fotoelettrico malfunzionante (modalità fotosensibile)	Sostituire l'induttore fotoelettrico
	Guasto o danno al circuito del motore o alla scheda del pannello di controllo (modalità non induttiva)	Sostituire il pannello di controllo o motore da riparare

E04: Indica le informazioni richieste per proteggere da sovratensione del motore di con messa a terra

E04 Soluzioni ai problemi piu' comuni	Il carico del tapis roulant supera la tensione di esercizio nominale del motore	Si consiglia di usare nell'intervallo della tensione di esercizio nominale del motore
	Motore del tapis roulant anormale o velocità eccessiva a causa di un guasto al sensore fotovoltaico	Sostituire l'induttore fotoelettrico
	Guasto della linea di misurazione della sovratensione o del pannello di controllo	Sostituire il pannello di controllo da riparare

E05: Indica un suggerimento informativo per la protezione da sovracorrente del pannello di controllo

E05 Soluzioni ai problemi piu' comuni	Il carico del tapis roulant supera la tensione di esercizio nominale del motore	Si consiglia di usare nell'intervallo della tensione di esercizio nominale del motore
	Problemi nell'assemblaggio del tapis roulant e del motore causano resistenza o blocco del motore	Controllare se la struttura del tapis roulant è normale
	Guasto del sistema di limitazione della corrente del pannello di controllo	Sostituire il pannello di controllo da riparare

E06: Indica un fenomeno anormale di bassa tensione dell'alimentazione del convertitore di frequenza

E06 Soluzioni ai problemi piu' comuni	La tensione in ingresso è troppo bassa	Controllare se la linea di alimentazione è normale.
	Guasto della linea di alimentazione del pannello di controllo	Sostituire il pannello di controllo da riparare

E07: Il blocco di sicurezza del computer non è stato installato correttamente

E07 Soluzioni ai problemi piu' comuni	Perdita di forza del magnete di sicurezza	Posizionare il blocco di sicurezza nella posizione designata del computer.
	Guasto del Sistema di blocco dle computer	Sostituire il computer di controllo da riparare

UK

If you have any questions, please contact our customer care center.

Our contact details are below:



0044-800-240-4004



enquiries@mhstar.co.uk

IMPORTER ADDRESS:

MH STAR UK LTD

Unit 27, Perivale Park,
Horsenden lane South

Perivale, UB6 7RH

MADE IN CHINA

ES

Si tiene alguna pregunta, comuníquese con nuestro Centro de Atención al Cliente. Nuestros datos de contacto son los siguientes:



0034-931294512



atencioncliente@aosom.es

IMPORTADOR:

SPANISH AOSOM, S.L.

C/ ROC GROS, N° 15. 08550, ELS HOSTALETS DE
BALENYÀ, SPAIN.

B66295775

WWW.AOSOM.ES

ATENCIONCLIENTE@AOSOM.ES

TEL: 931294512

HECHO EN CHINA

FR

Si vous avez la moindre question, veuillez contacter notre centre d'assistance à la clientèle.

Nos coordonnées sont les suivantes:



0033-1-84166106



aosom@mhfrance.fr

Importé par:

MH France

2, rue Maurice Hartmann

92130 Issy-les-Moulineaux

France

Fabriqué en Chine

PT

Se tiver alguma dúvida, por favor contacte o nosso Centro de Atendimento ao Cliente. Os nossos dados de contacto são os seguintes:



0034-931294512



info@aosom.pt.

IMPORTADOR:

SPANISH AOSOM, S.L

C.ROC GROS N.15, 08550. ELS HOSTALETS DE BALENYÀ

TEL: 931294512 (SEG-SEX DAS 7:30H ÀS 16:30H)

INFO@AOSOM.PT

WWW.AOSOM.PT

DE

Wenn Sie Fragen haben, wenden Sie sich bitte an unser Kundendienstzentrum.

Unsere Kontaktdaten stehen unten:



0049-(0)40-88307530



service@aosom.de

ADRESSE DES IMPORTEURE:

MH Handel GmbH

Wendenstraße 309

D-20537 Hamburg

Germany

IN CHINA HERGESTELLT

IT

In caso di dubbio, si prega di contattare il nostro centro assistenza clienti. I nostri dettagli di contatto sono di seguito:



0039-0249471447



clienti@aosom.it

IMPORTATO DA:

AOSOM Italy srl

Centro Direzionale Milanofiori

Strada 1 Palazzo F1

20057 Assago (MI)

P.I.: 08567220960

FATTO IN CINA