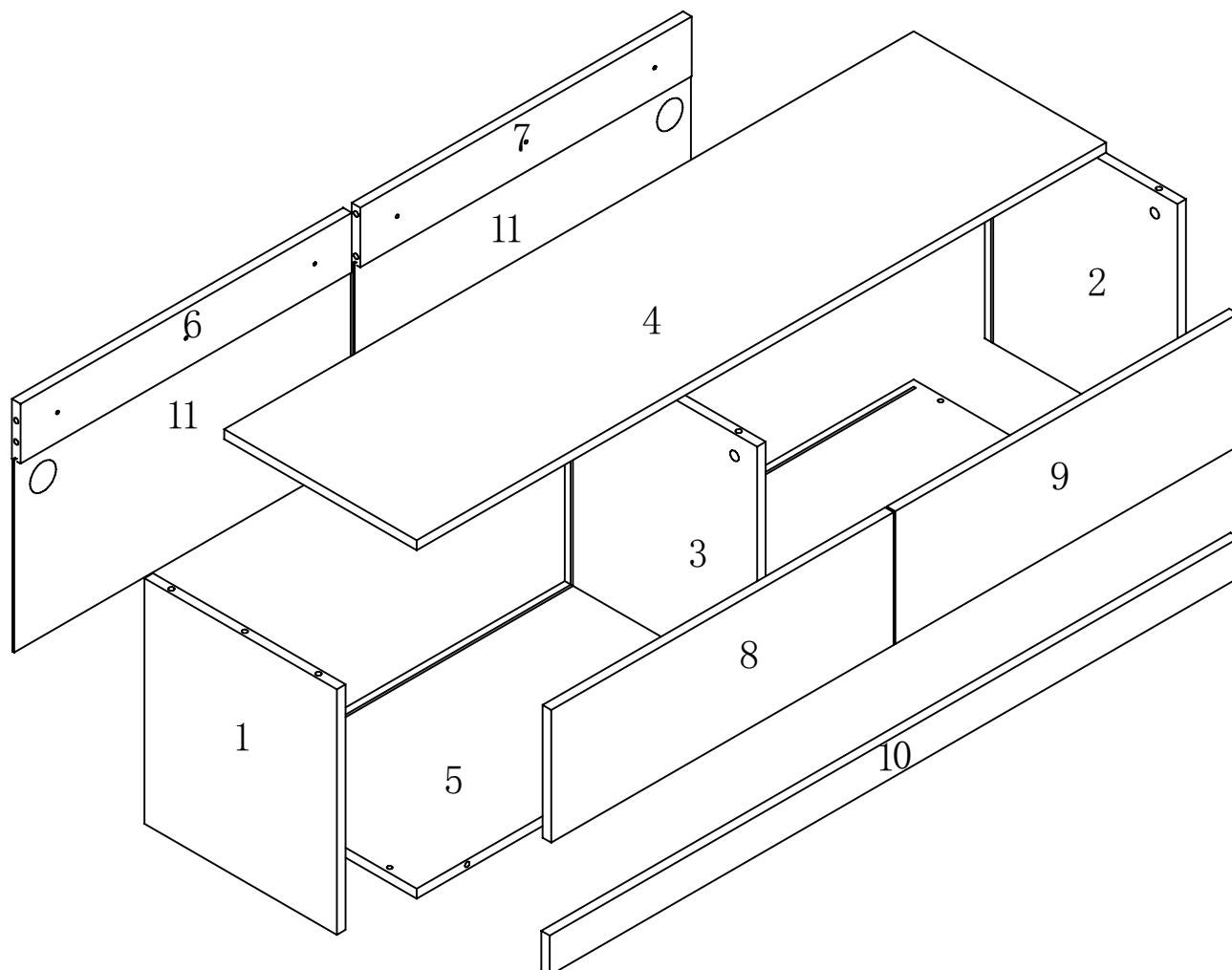







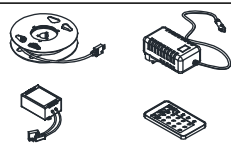






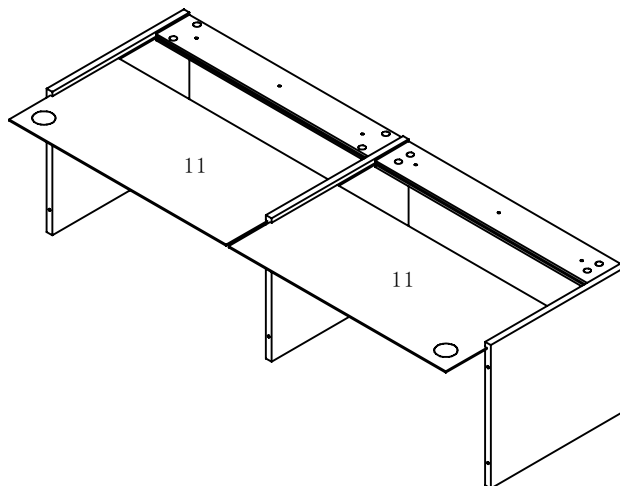
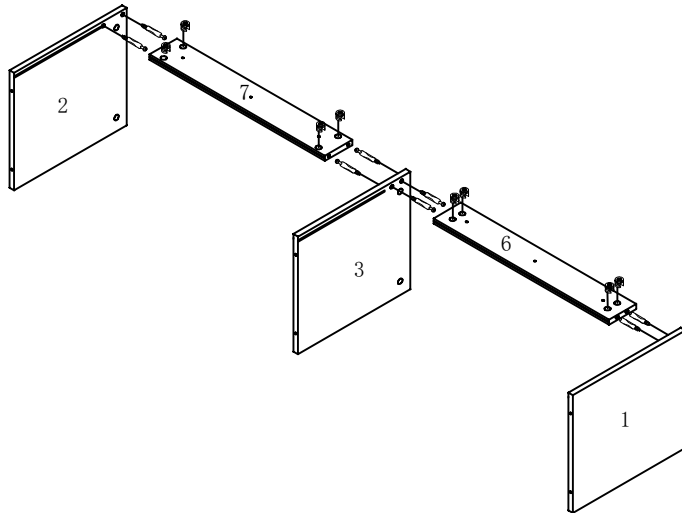
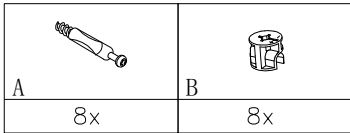
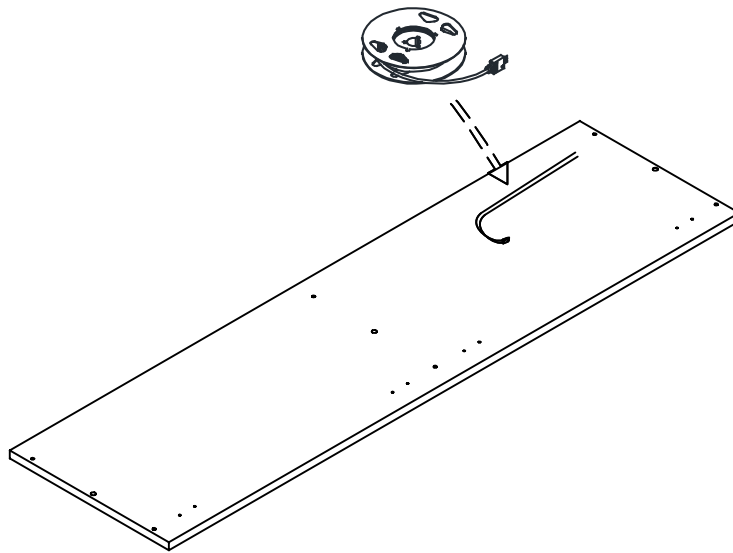
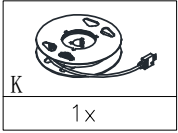
READ AND SAVE THIS INSTRUCTION FOR FUTURE USE


ASSEMBLY INSTRUCTION

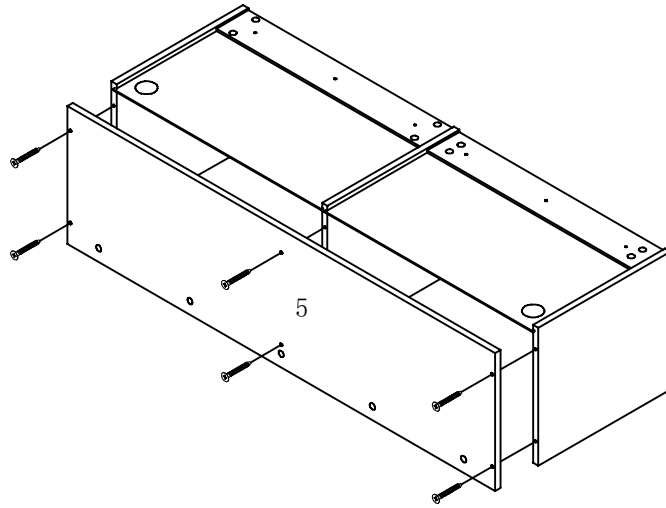
NO.	①	③	④	⑤	⑥	⑦	⑧	⑨	⑩	⑪
QTY.	1	1	1	1	1	1	1	1	1	2



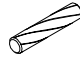


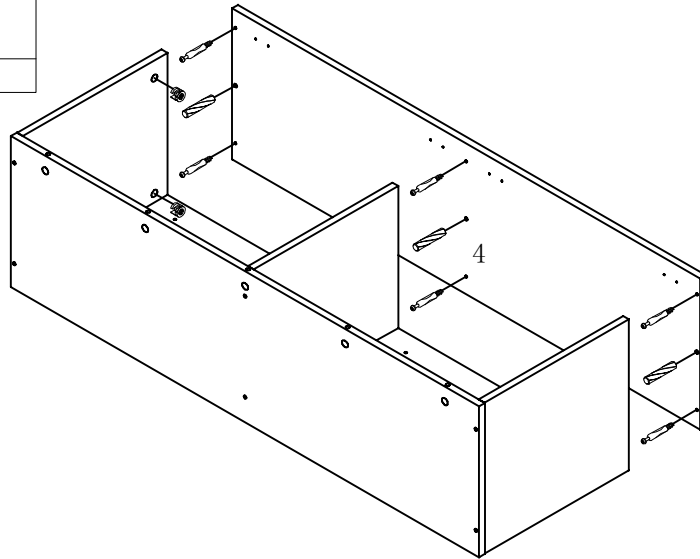
NO.	QTY.	LINEDRAWING	NO.	QTY.	LINEDRAWING
Ⓐ	19		Ⓗ	6	
Ⓑ	19		Ⓘ	6	
Ⓒ	3		Ⓙ	20	
Ⓓ	6		Ⓚ	1	
Ⓔ	12				
Ⓕ	4		Ⓛ	2	
Ⓖ	34				





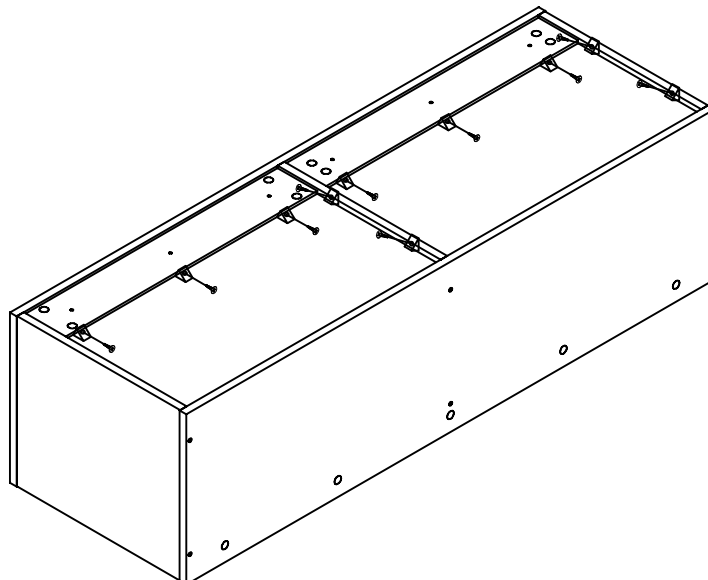
D	7x50	
6x		





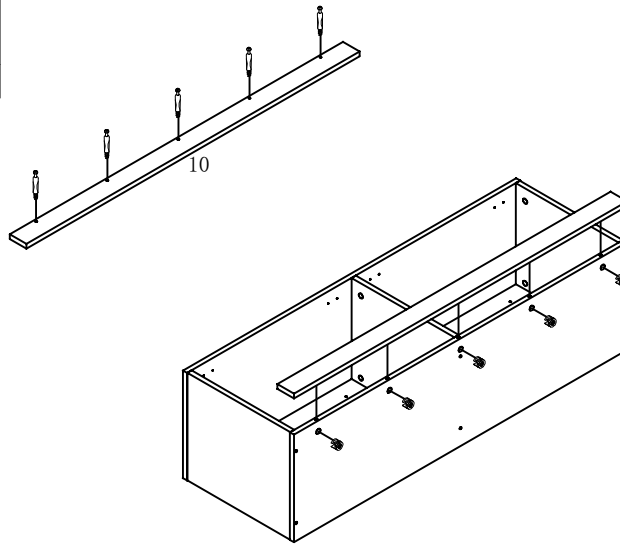
A		B	
6x		6x	
C			
3x			





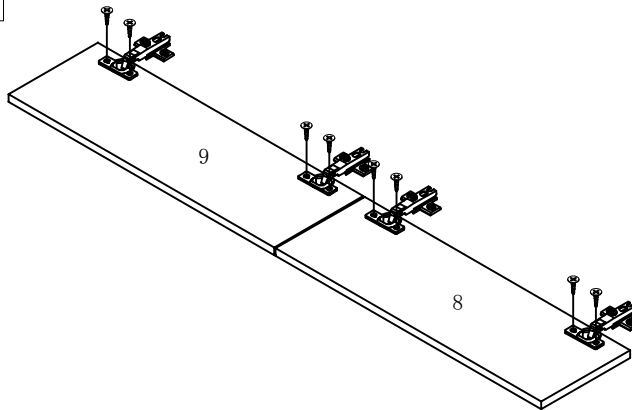
J		
3x14		
20x		





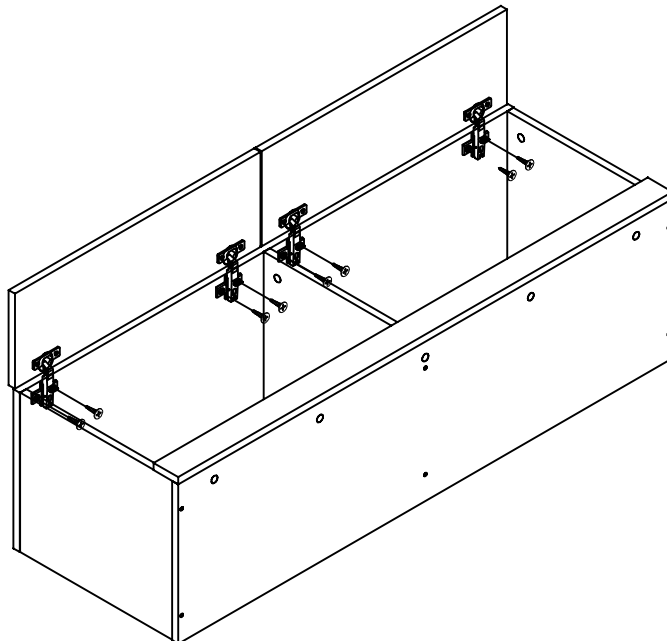
A		B	
	5x		5x





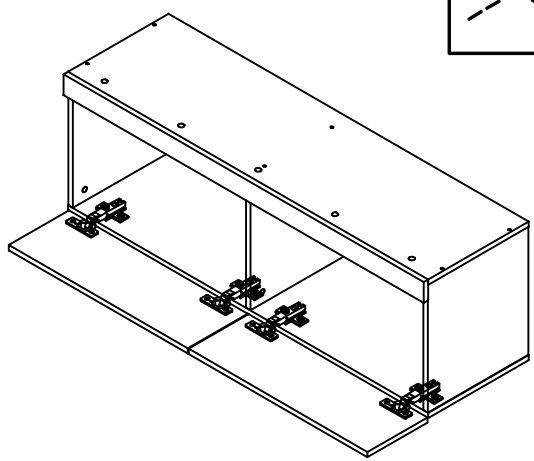
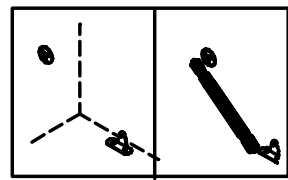
F		G	
	4x	3.5x14	8x




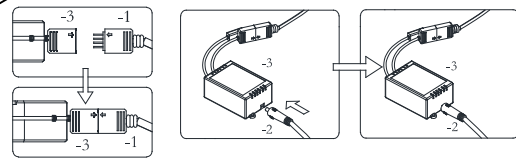
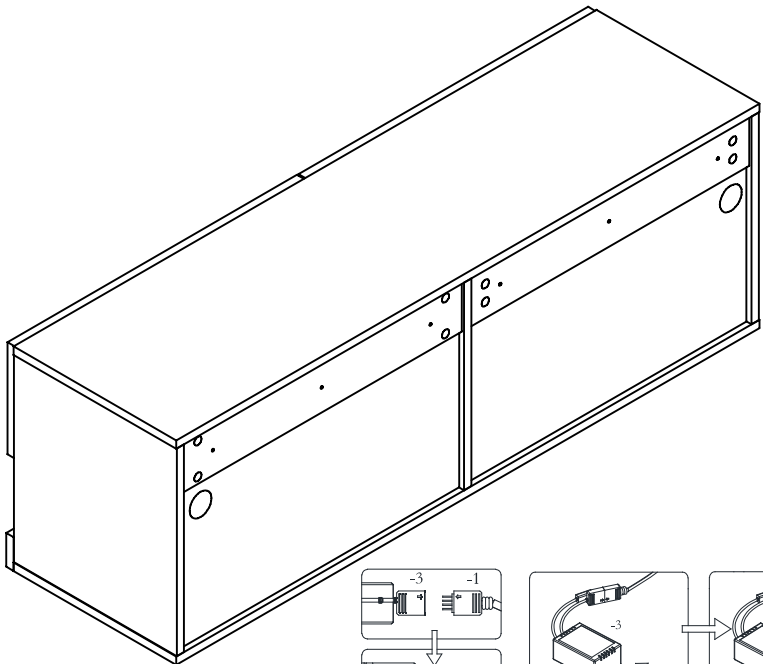
E	
	12x
G	
	3.5x14
	16x


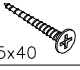



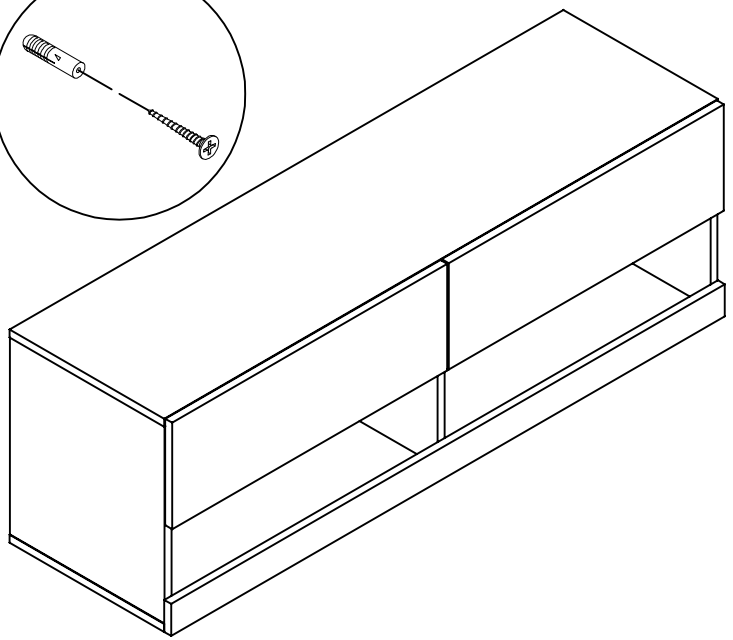
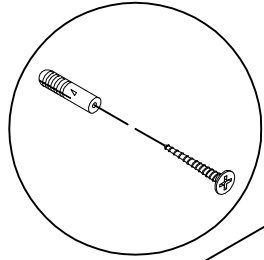
G		L	
	10x		2x



K	
	1x



E	
	6x
I	
	3.5x40 6x
H	
	6x30 6x



Model identifie		
Input voltage	100-240	V
Input AC frequency	50/60	Hz
Output voltage	12	V
Output current	2	A
Output power	24	W
Average active efficiency	/	%
Efficiency at low load (10 %)	/	%
No-load power consumption	/	W

Importer

MH STAR UK LTD
Unit 27, Perivale Park,
Horsenden lane South
Perivale, UB6 7RH

<https://www.aosom.co.uk>

Made in China

Importateur:

MH FRANCE

2 Rue Maurice Hartmann
92130 Issy Les Moulineaux
France

<https://www.aosom.fr>

Fabriqué en Chine

IMPORTADOR POR:

SPANISH AOSOM, S.L.

c. roc gros no.15

08550 Els hostalets de Balenya

Barcelona

España

TEL: 931294512

<https://www.aosom.es>

Fabricado en China

Importeur :

MH Handel GmbH

Wendenstraße 309

D-20537 Hamburg

Germany

<https://www.aosom.de>

Hergestellt in China

IMPORTATO DA:

AOSOM Italy srl

Centro

Direzionale Milanofiori

Strada 1 Palazzo F1

20090 Assago (MI)

P.I.: 08567220960

<https://www.aosom.it>

Prodotto in Cina

US



001-877-644-9366
customerservice@aosom.com

CA



001-855-537-6088
customerservice@aosom.ca

UK



0044-800-240-4004
enquiries@mhstar.co.uk

DE



0049-(0)40-88307530
service@aosom.de

FR



0033-1-84166106
contact@aosom.fr

ES



0034-931294512
atencioncliente@aosom.es

IT



0039-0249471447
clienti@aosom.it