

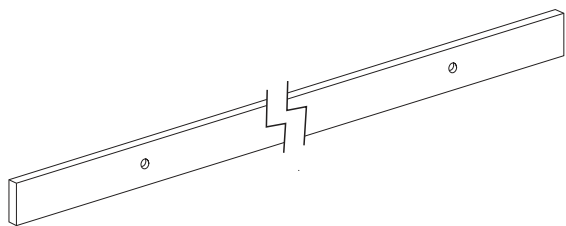
IMPORTANT, RETAIN FOR FUTURE REFERENCE: READ CAREFULLY

Tools Recommended

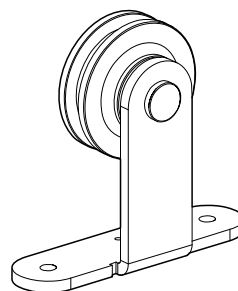
ASSEMBLY & INSTRUCTION MANUAL

PARTS

A x 1

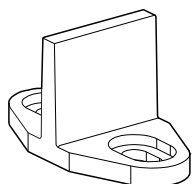


B x 2

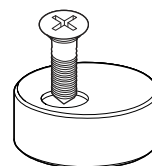


HARDWARE

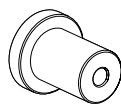
C x 1



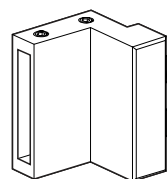
D x 2



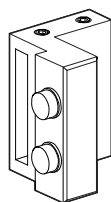
E x 4



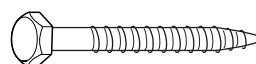
F x 1



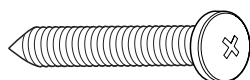
G x 1



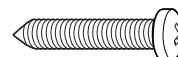
H x 4
M8*90



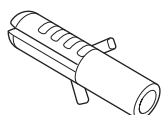
I x 4
M6*38



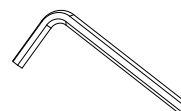
J x 2
M4.2*25

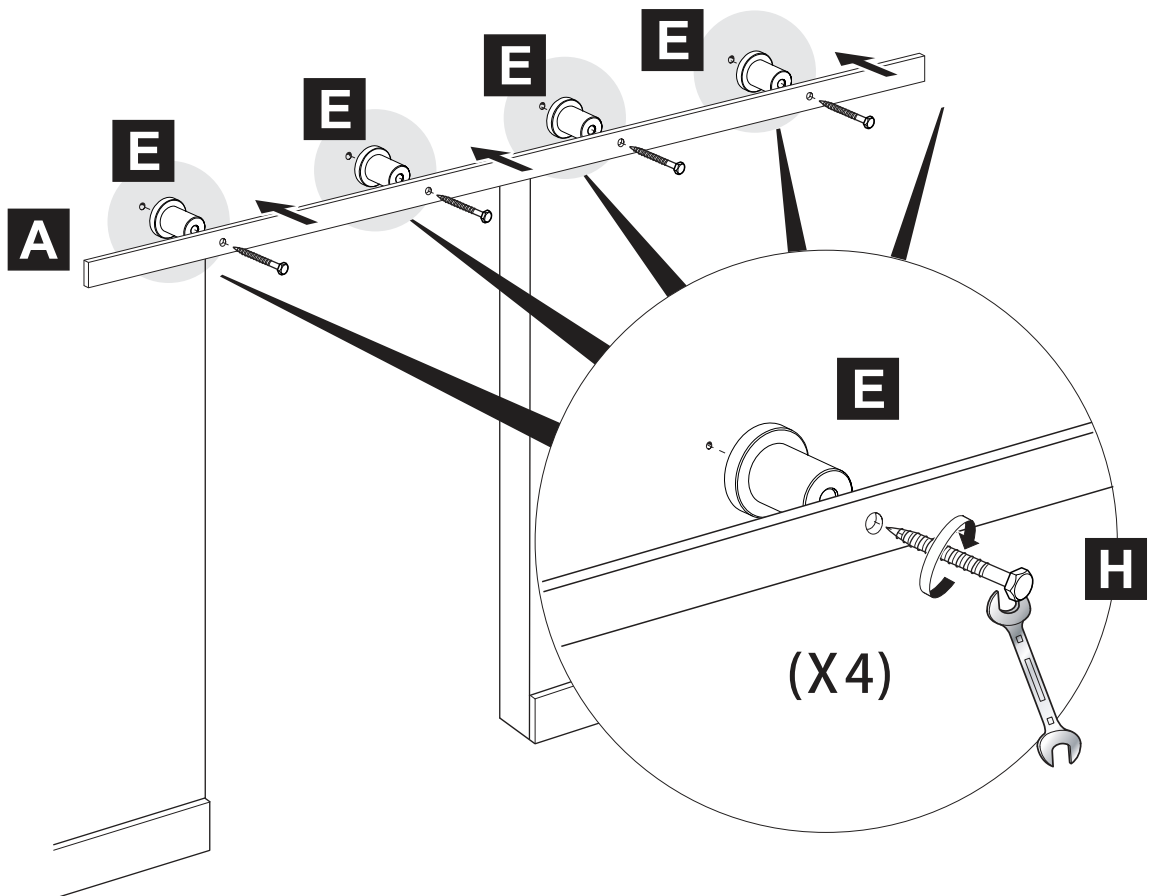
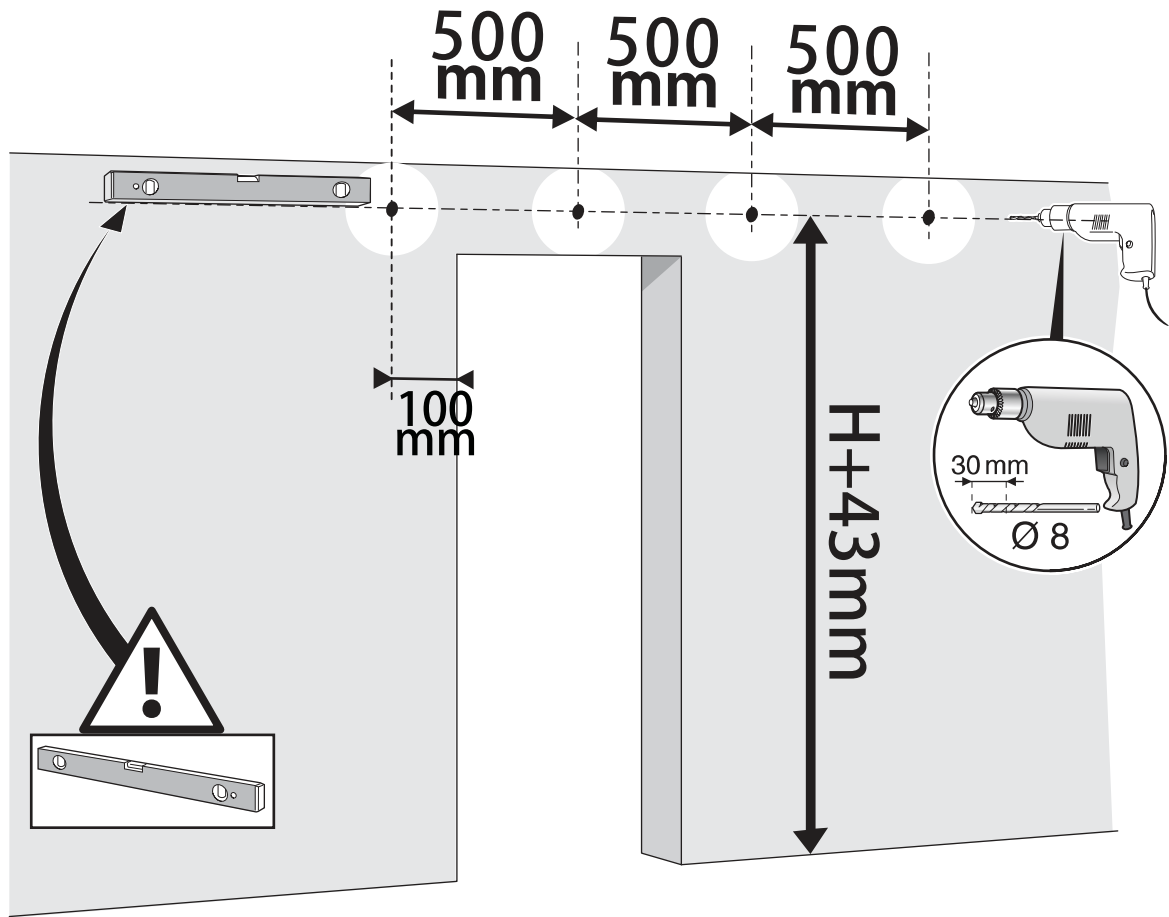


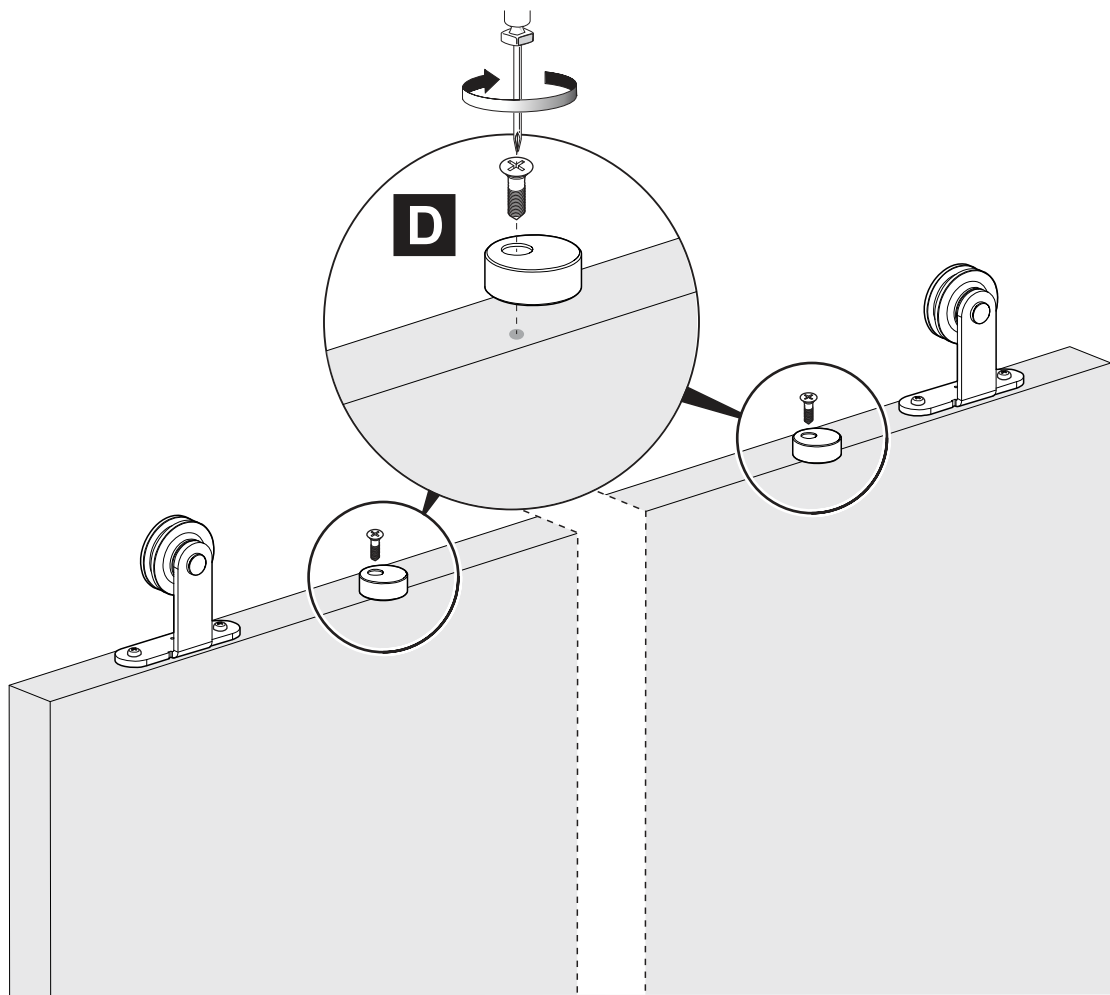
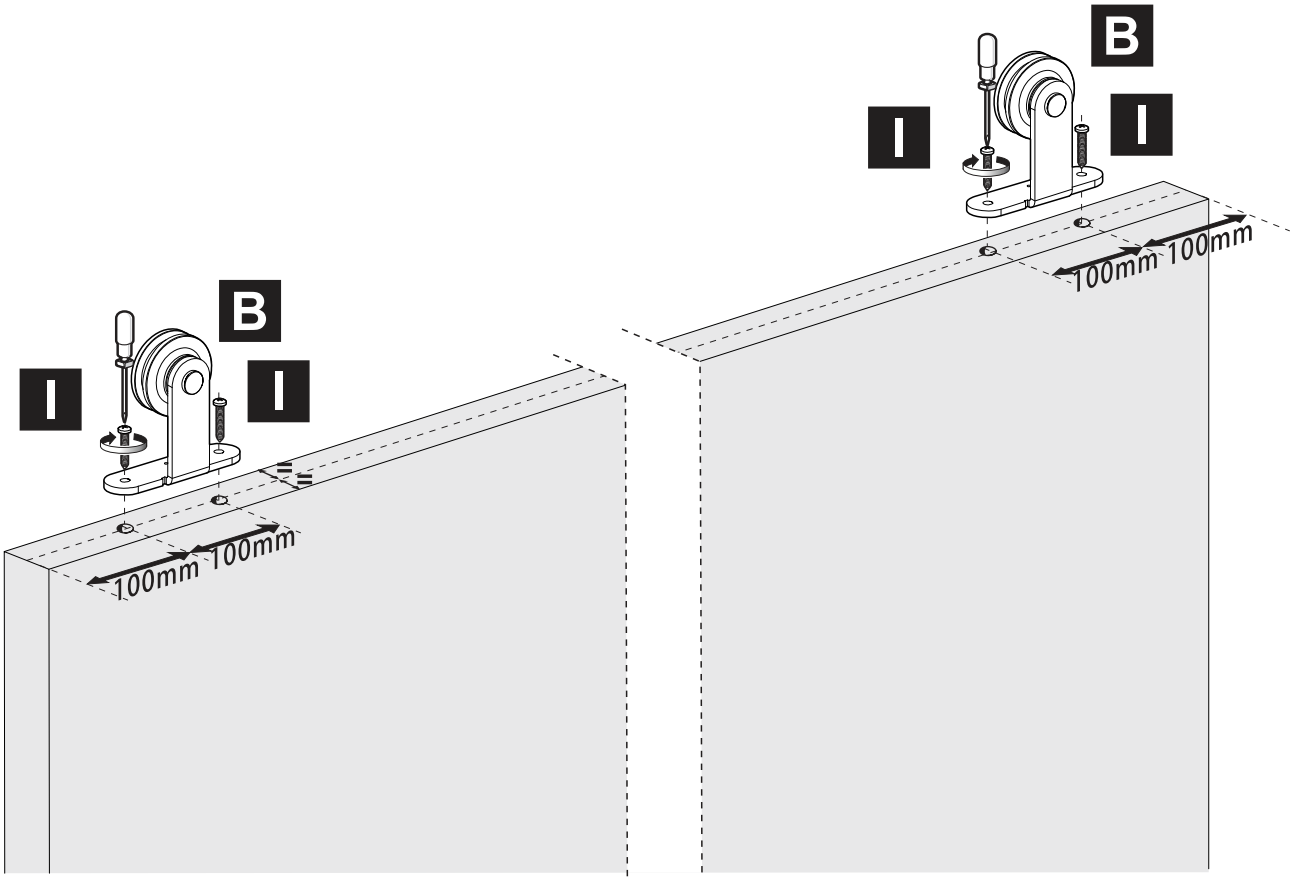
K x 2

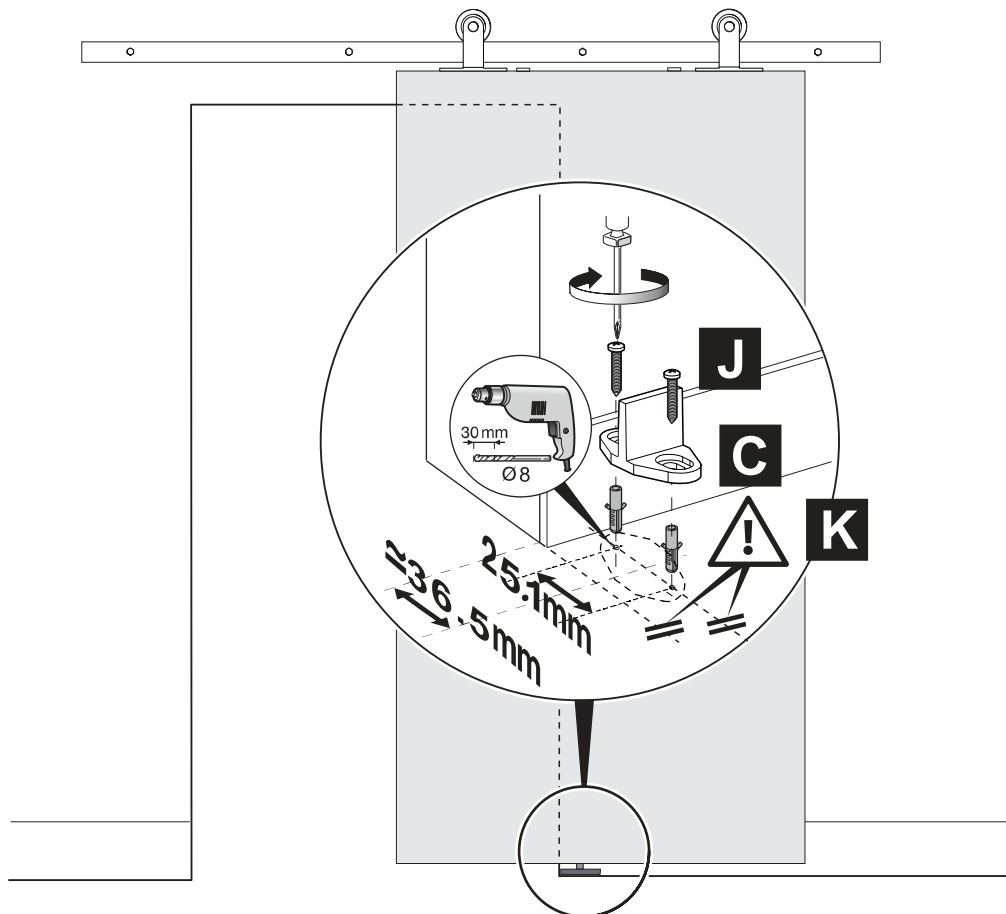
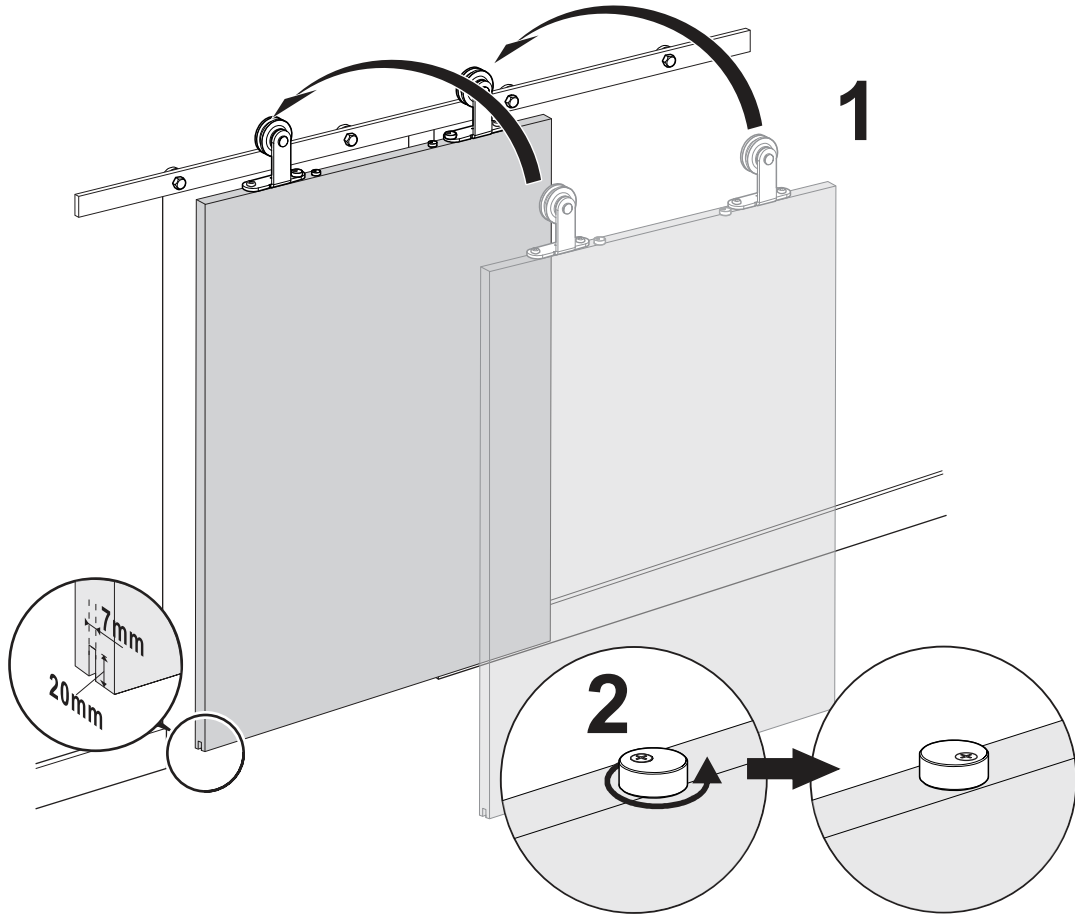


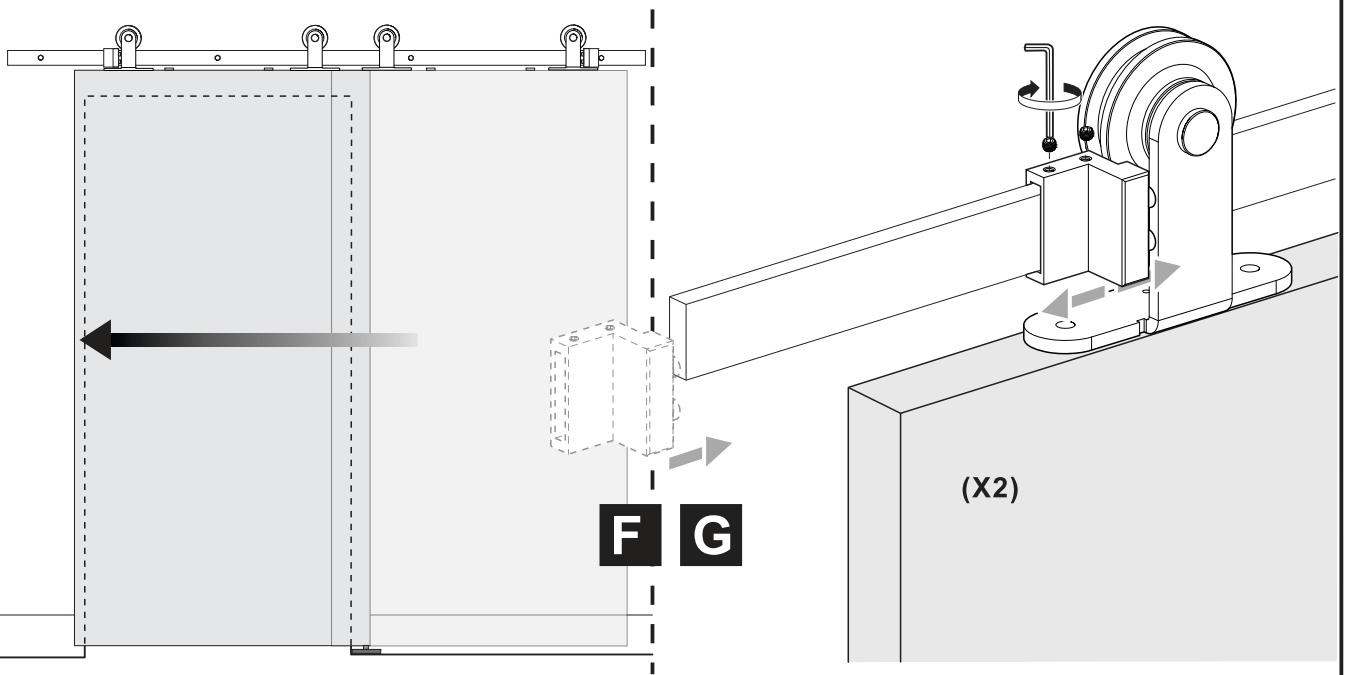
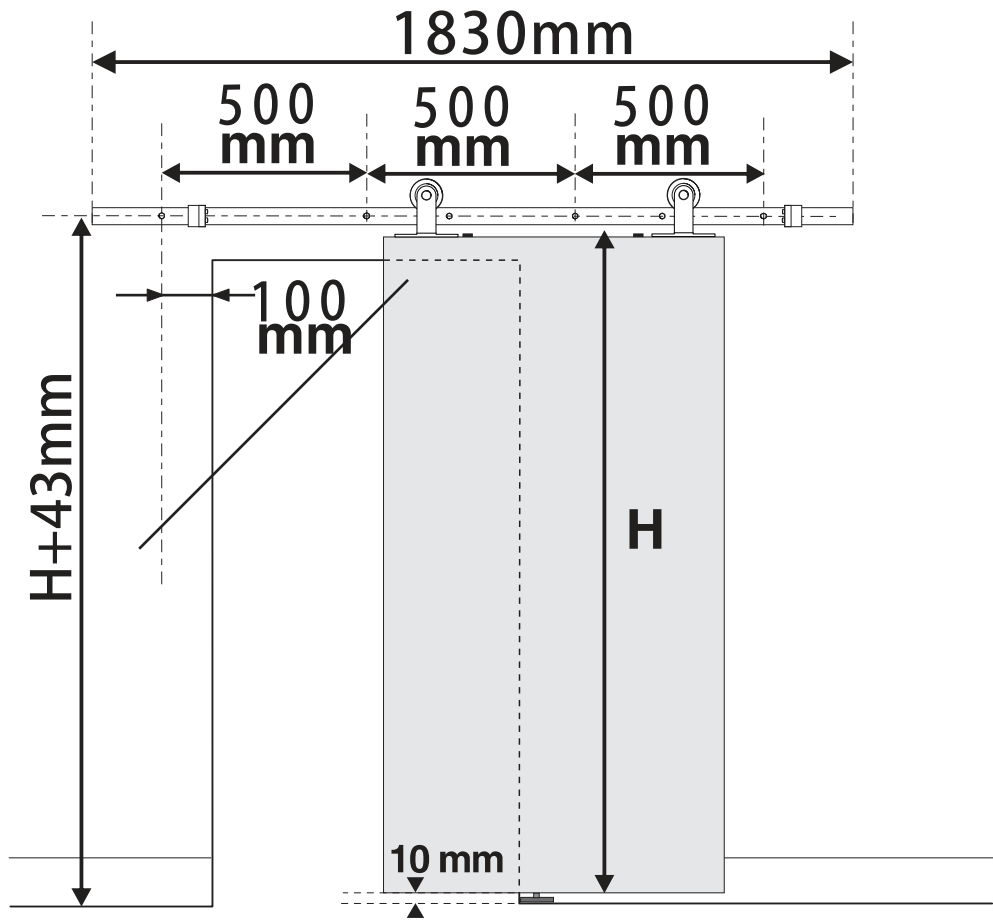
L x 1











US



001-877-644-9366
customerservice@aosom.com

CA



001-855-537-6088
customerservice@aosom.ca

UK



0044-800-240-4004
enquiries@mhstar.co.uk

DE



0049-(0)40-88307530
service@aosom.de

FR



0033-1-84166106
contact@aosom.fr

ES



0034-931294512
atencioncliente@aosom.es

IT



0039-0249471447
clienti@aosom.it