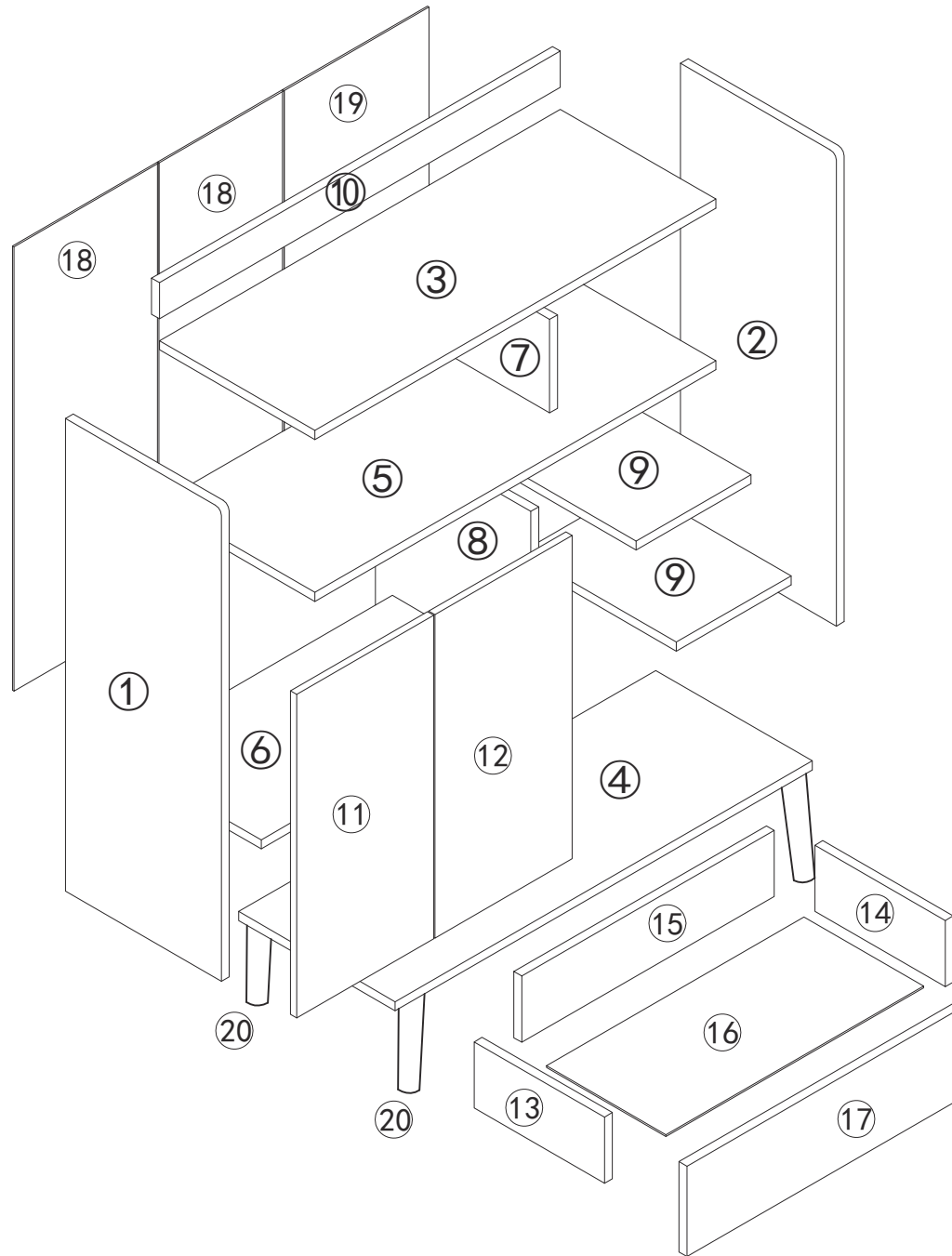








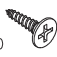

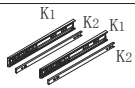


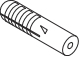



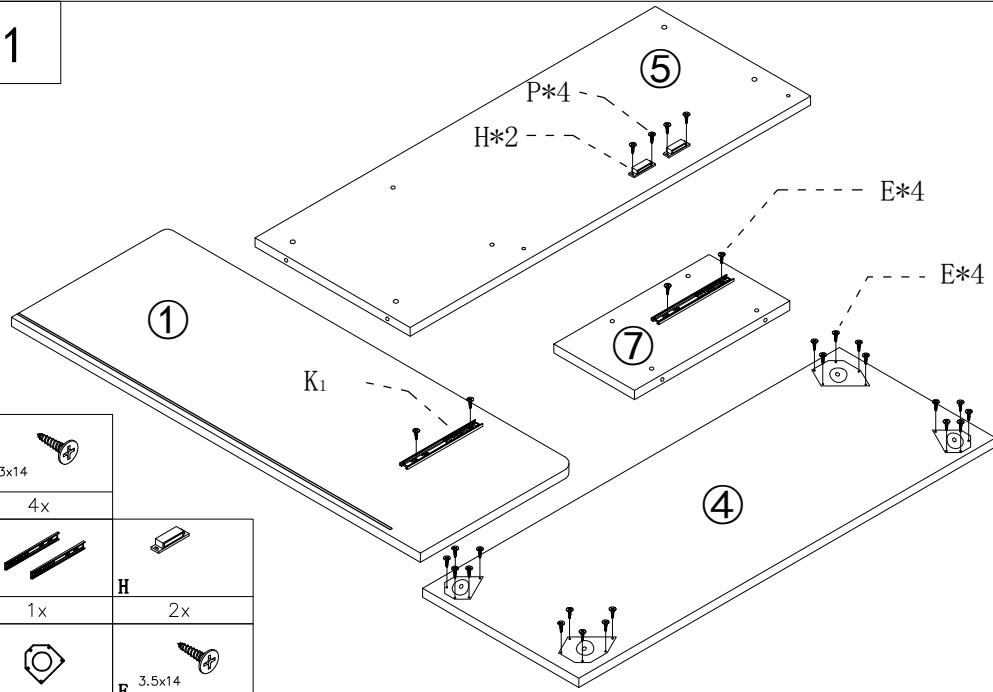







837-018



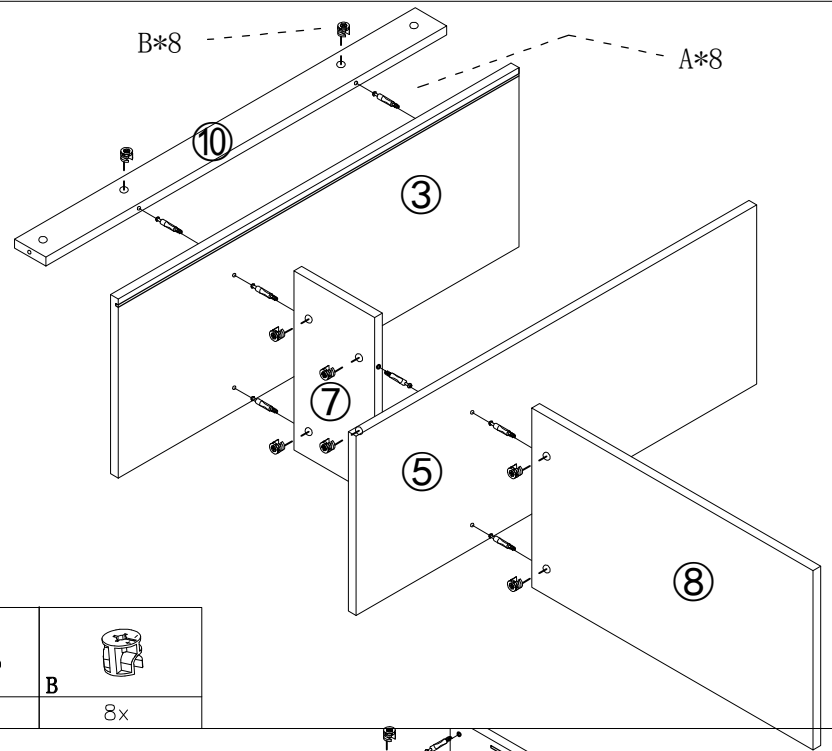
 A 30x	 B 30x
 C 7x50 6x	 D 3.5x30 6x
 E 3.5x14 30x	 F 3x
 G 4x	 H 2x
 I 3*10 4x	 J 18mm 6x
 K 1x	 L 16x
 M 4x	 N 2x
 O 2x	 P 3x14 20x
 Q 4x	



1



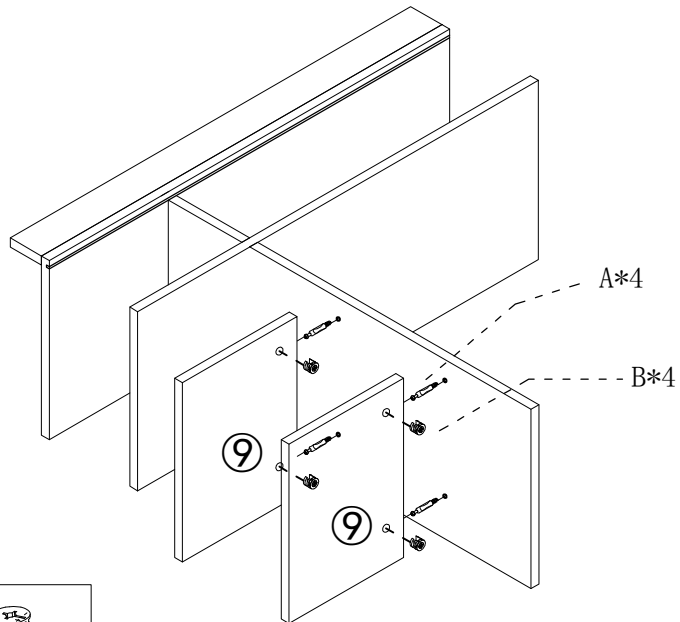
<b>P</b> 	3x14
4x	
<b>K</b> 	1x
<b>H</b> 	2x
<b>M</b> 	4x
<b>E</b> 	3.5x14
24x	



2



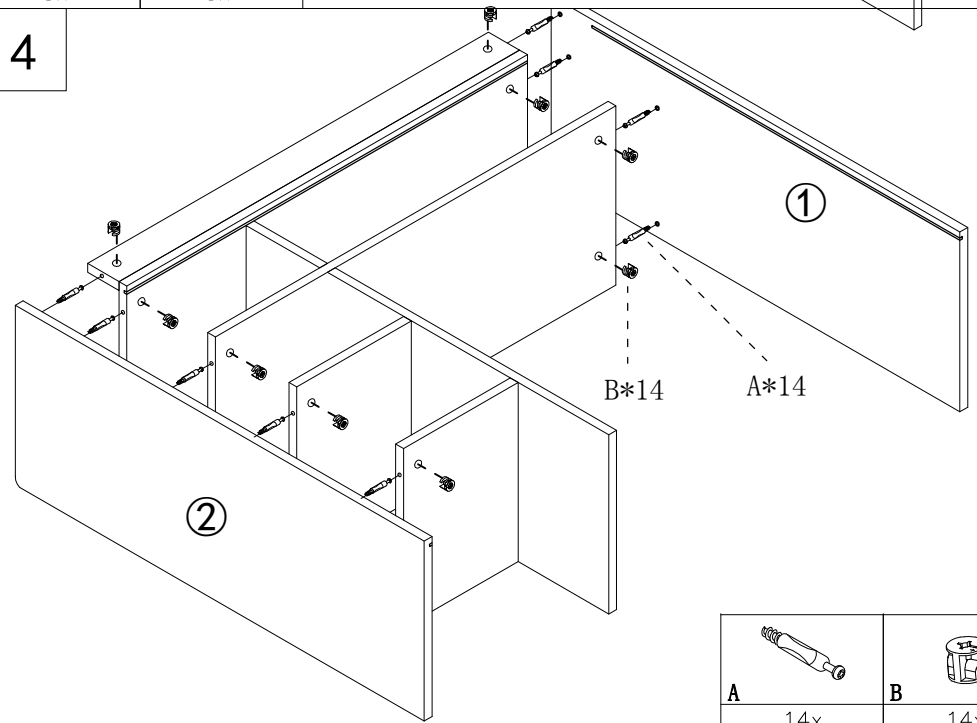
<b>A</b> 	8x
<b>B</b> 	8x



3



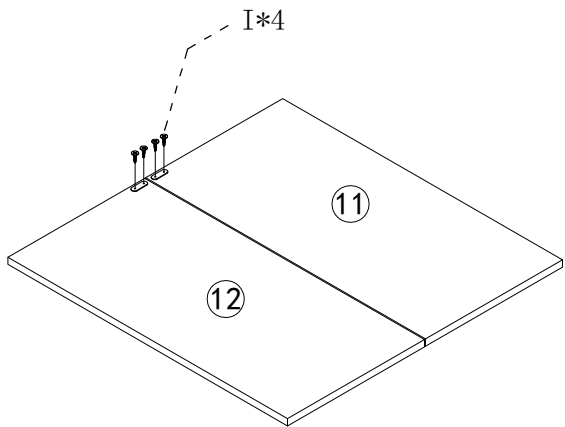
<b>A</b> 	4x
<b>B</b> 	4x

4



<b>A</b> 	14x
<b>B</b> 	14x

5



H



2x

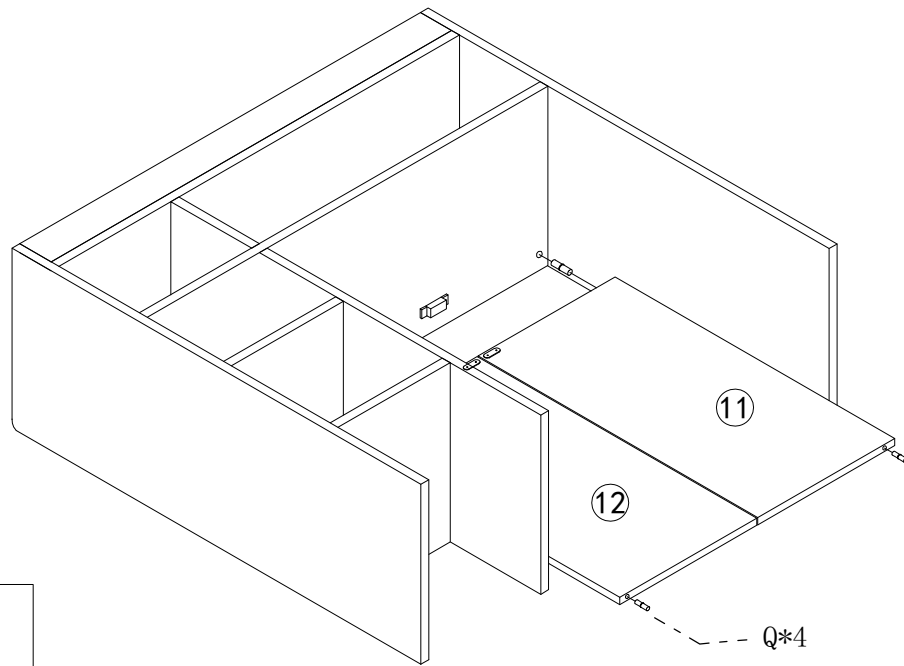
I

3\*10



4x

6

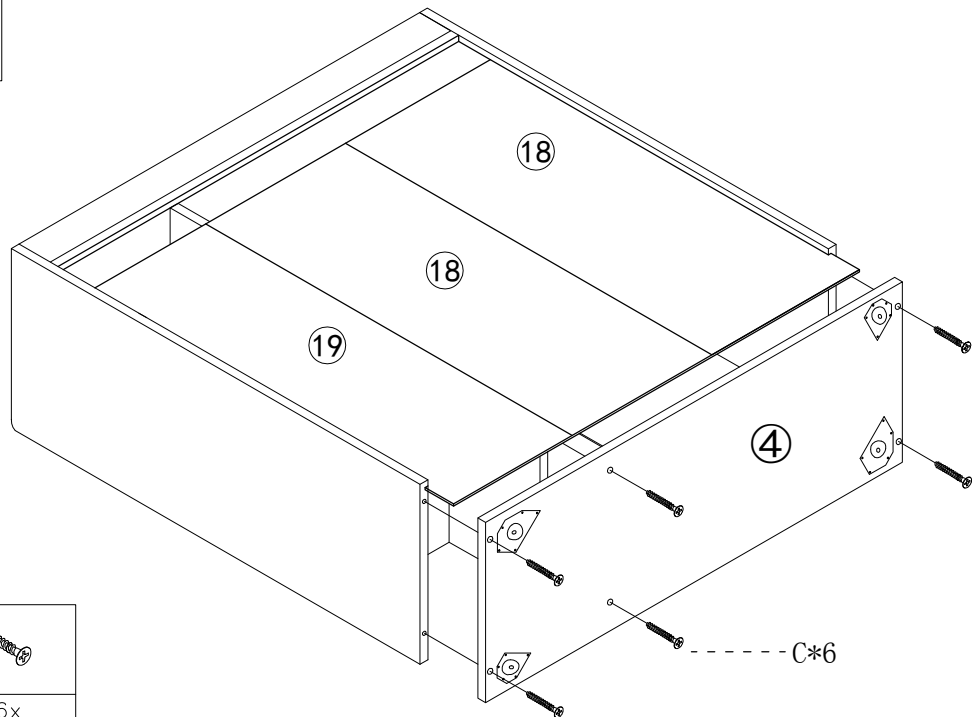


Q



4x

7



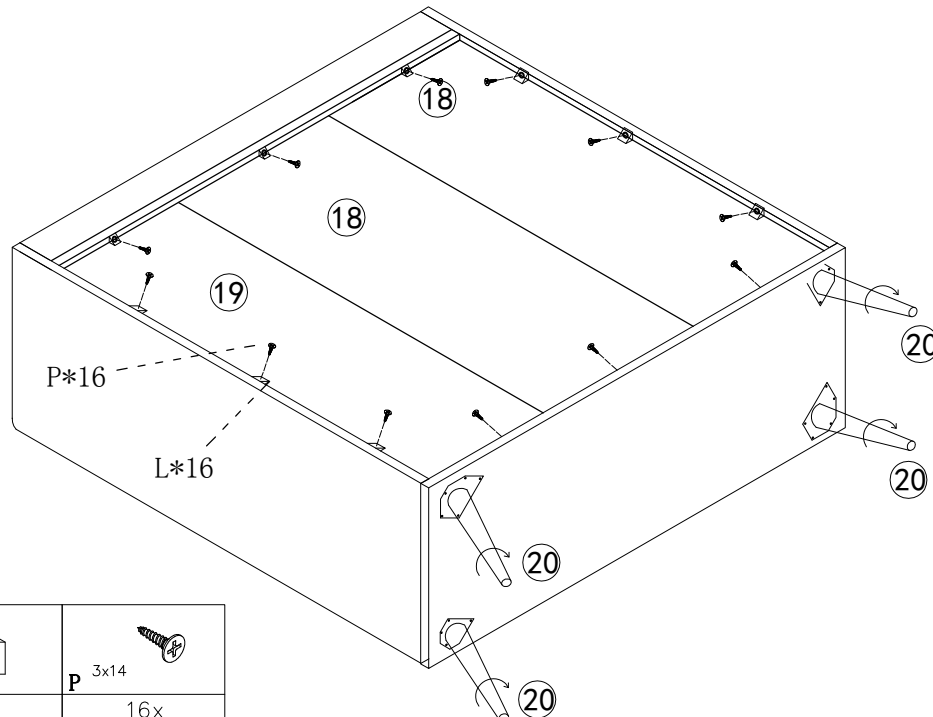
C

7x50

6x

C\*6

8



L

16x

P

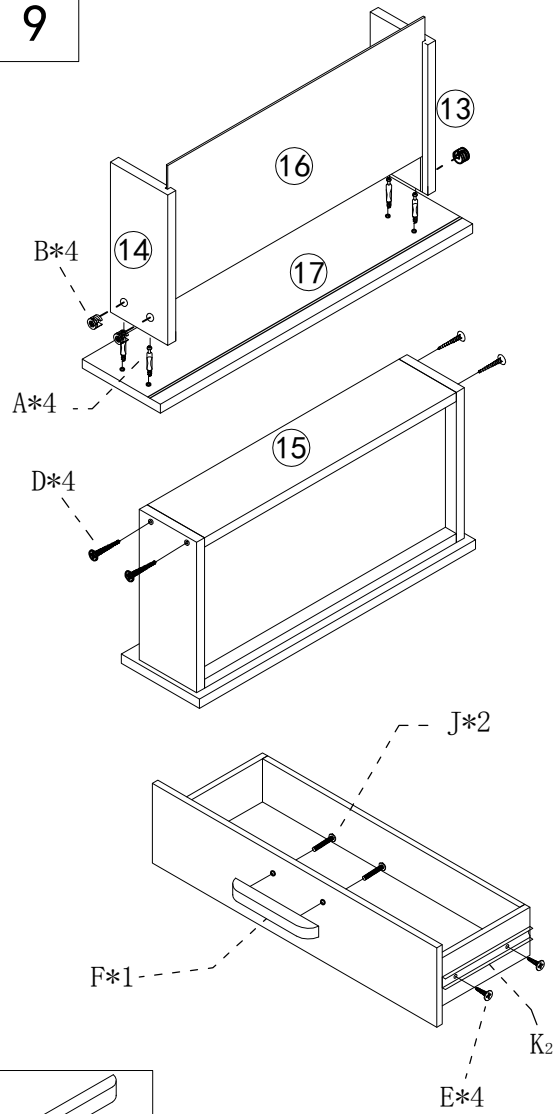
3x14

16x

P\*16

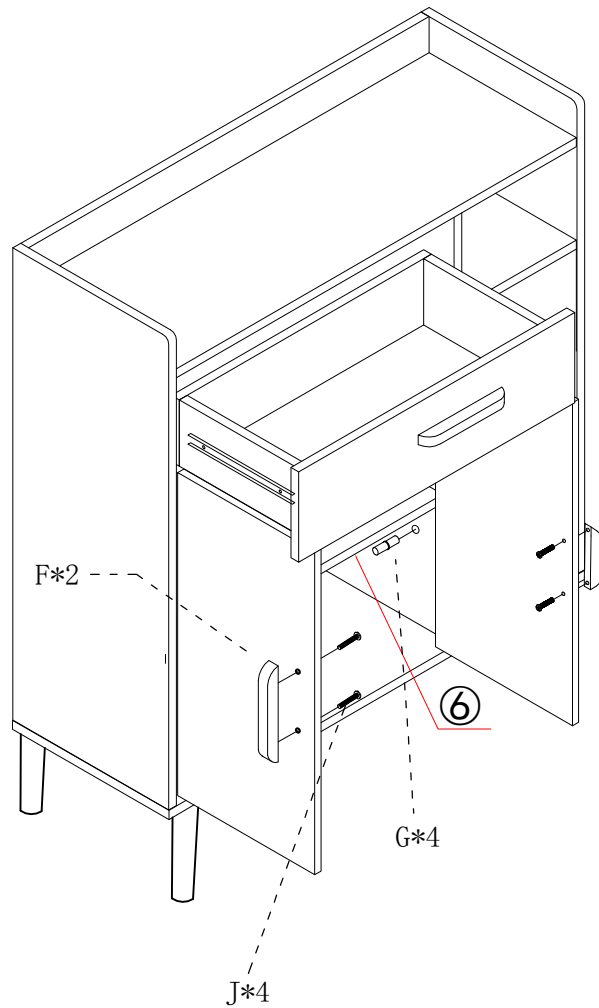
L\*16

9



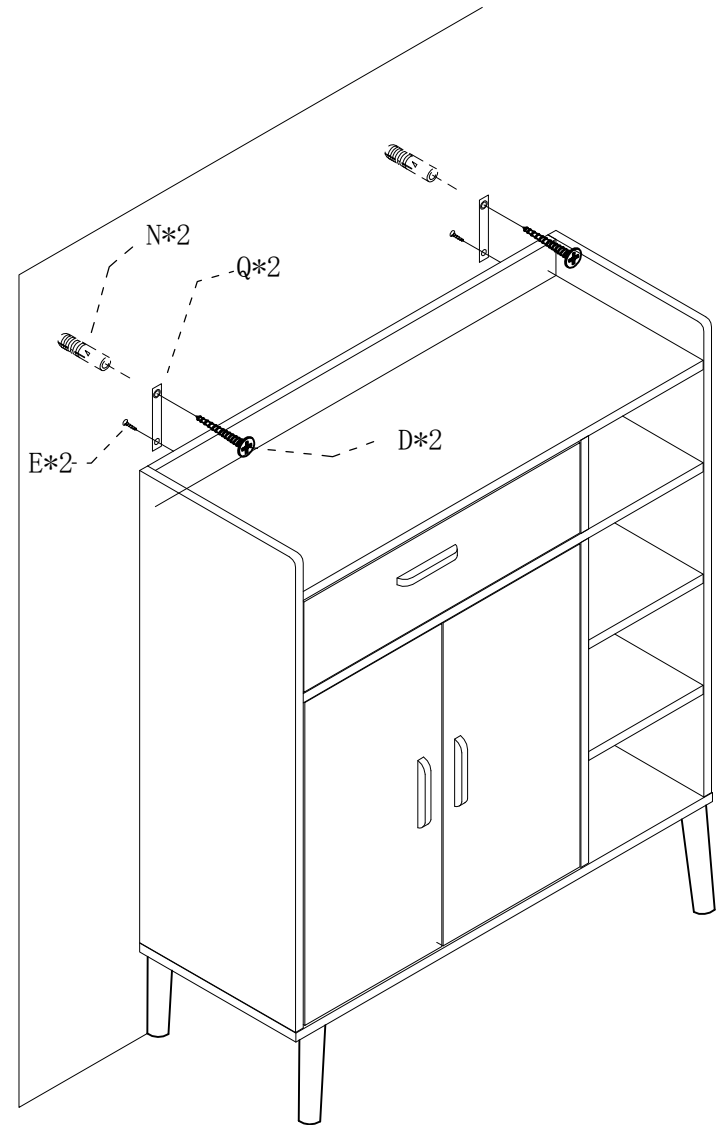
<b>F</b> 1x	<b>K<sub>2</sub></b> <b>K<sub>2</sub></b> 1x		<b>B</b> 4x
<b>J</b> 18mm 2x	<b>E</b> 3.5x14 4x	<b>A</b> 4x	
<b>D</b> 3.5x30 4x			

10



<b>F</b> 2x		
<b>J</b> 18mm 4x	<b>G</b> 4x	

11



<b>N</b> 2x	<b>O</b> 2x	<b>D</b> 3.5x30 2x	<b>E</b> 3.5x14 2x
----------------	----------------	-----------------------	-----------------------