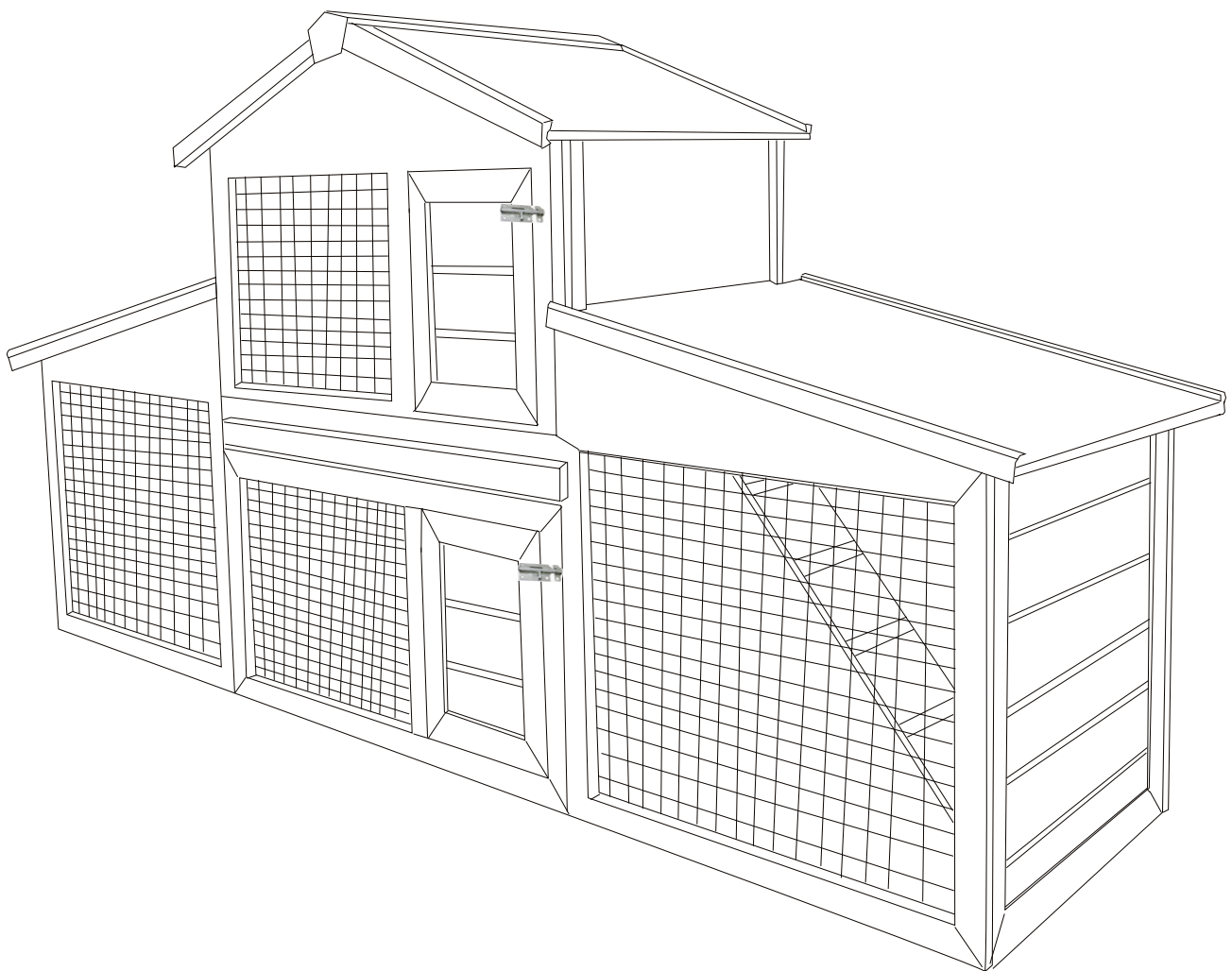


PawHut®

INdca043V01_GL

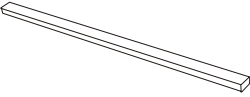
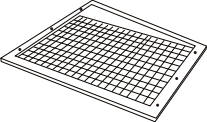
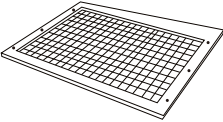
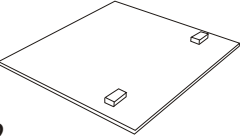
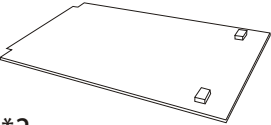
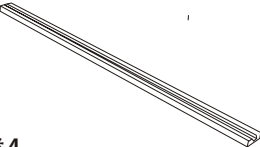
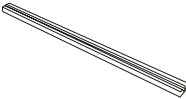

D51-151

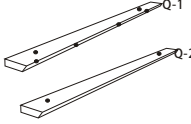
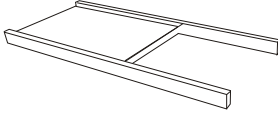

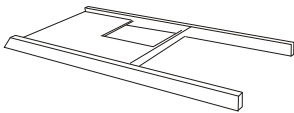
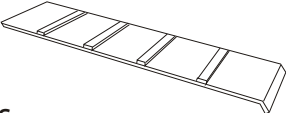
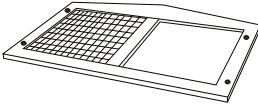

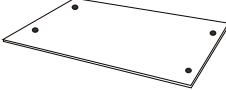
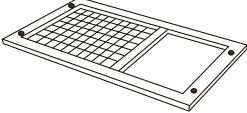

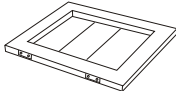
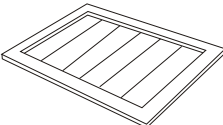


IMPORTANT, RETAIN FOR FUTURE REFERENCE: READ CAREFULLY

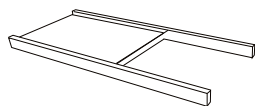
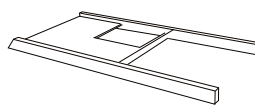

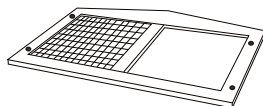
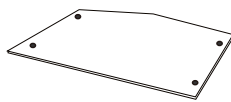
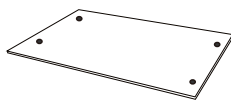
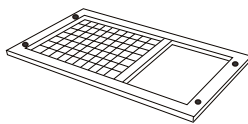
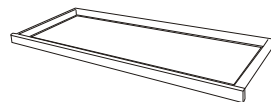
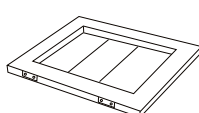
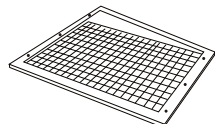
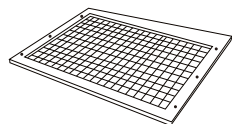
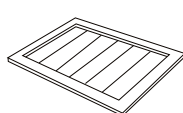
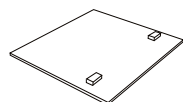
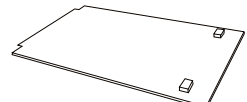
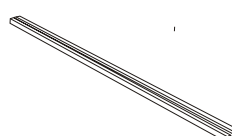

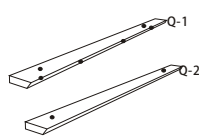
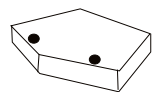
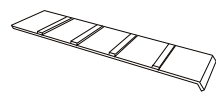
ASSEMBLY & INSTRUCTION MANUAL

PACKING DETAILS:TOTAL 2 BOXES







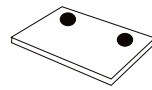
BOX 1-2
 C*2
 J*2
 K*2
 M*2
 N*2
 O*4
 P*4
 Hardware Kit

BOX 2-2	 Q
 A	 R*2
 B	 S
 D	
 E	
 F	
 G	
 H	
 I*2	
 L*2	

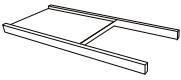
PARTS

 <p>A</p>	 <p>B</p>	 <p>C*2</p>	 <p>D</p>
 <p>E</p>	 <p>F</p>	 <p>G</p>	 <p>H</p>
 <p>I*2</p>	 <p>J*2</p>	 <p>K*2</p>	 <p>L*2</p>
 <p>M*2</p>	 <p>N*2</p>	 <p>O*4</p>	 <p>P*4</p>
 <p>Q</p>	 <p>R*2</p>	 <p>S</p>	

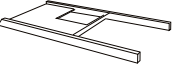
HARDWARE

 <p>3.5*30mm 32+2pcs</p> <p>S1</p>	 <p>3.5*20 mm 22+2pcs</p> <p>S2</p>	 <p>3.0*18 mm 36+2pcs</p> <p>S3</p>	 <p>2.5*10 mm 20+2pcs</p> <p>S4</p>
 <p>2pcs</p> <p>S5</p>	 <p>2pcs</p> <p>S6</p>	 <p>2pcs</p> <p>S7</p>	

A x01



B x01



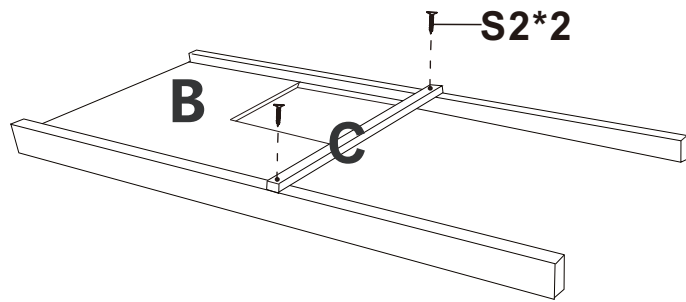
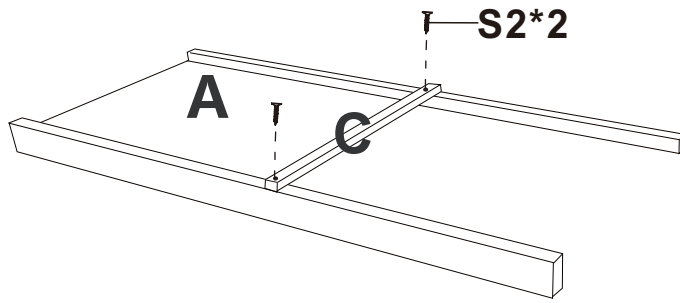
C x02



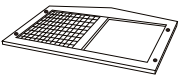
S2 x04



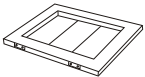
3.5*20mm



D x01



I x01



S6 x01



S7 x01



S2 x02

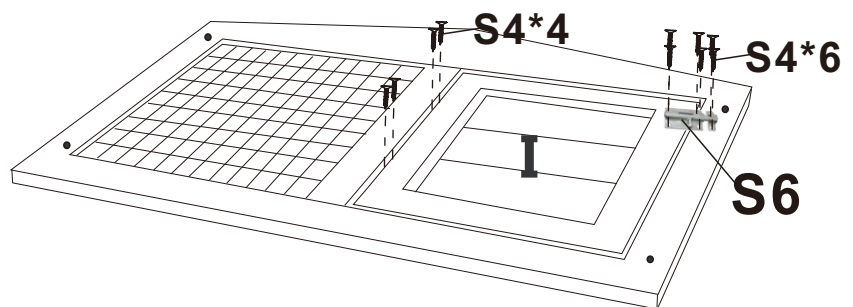
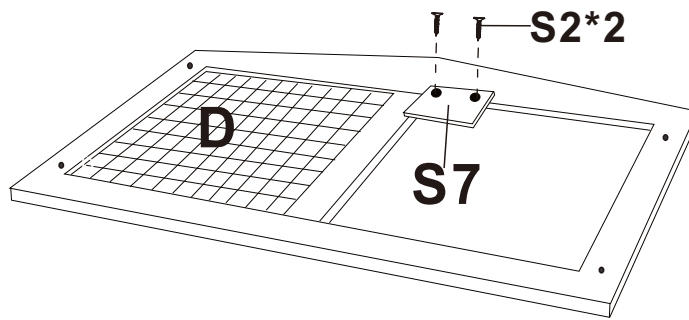


3.5*20mm

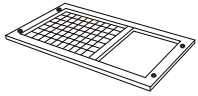
S4 x10



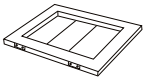
2.5*10mm



G x01



I x01



S6 x01



S7 x01



S2 x02

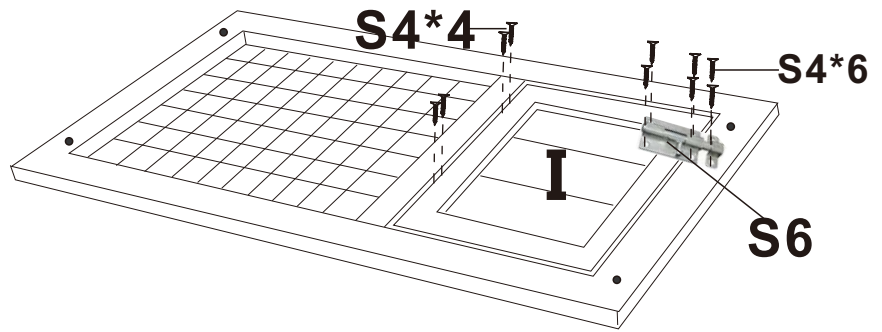
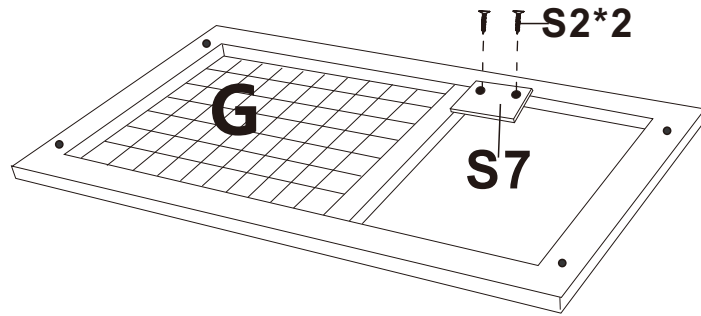


3.5*20mm

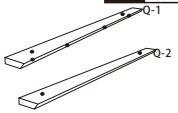
S4 x10



2.5*10mm



Q x01



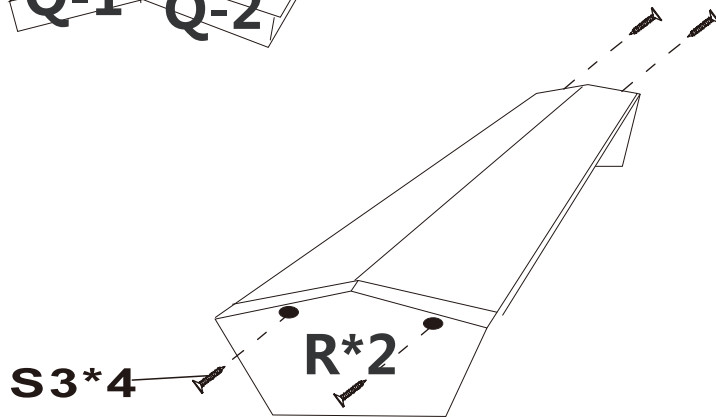
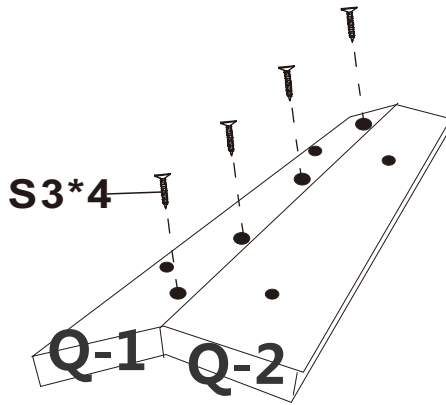
R x02



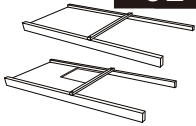
S3 x08



3.0*18mm



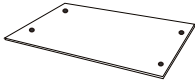
01



E x01



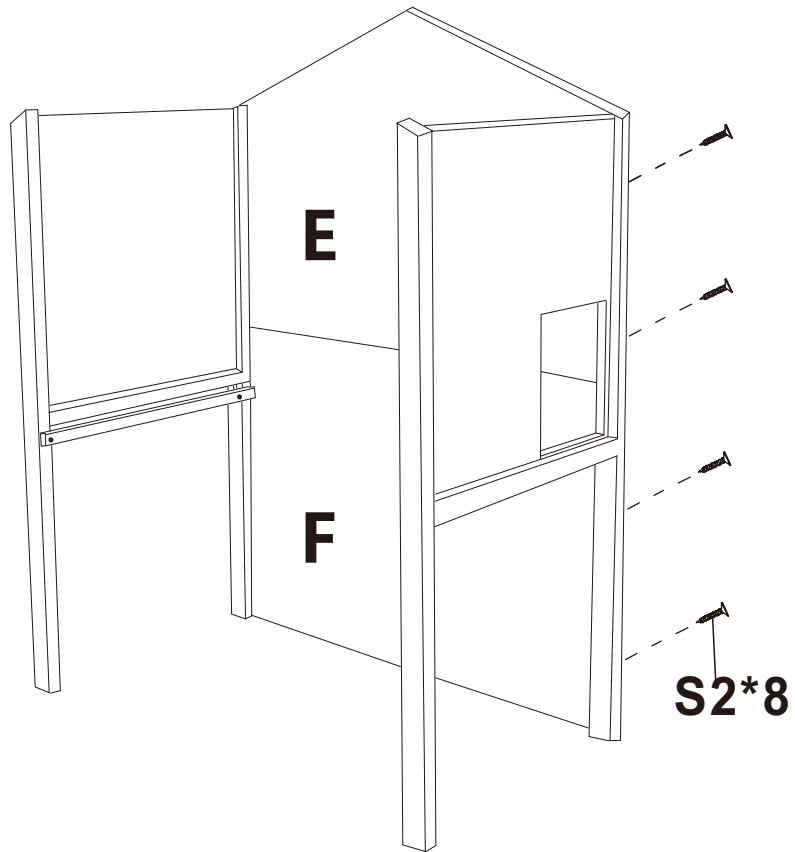
F x01



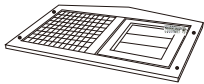
S2 x08



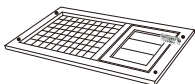
3.5*20mm



02



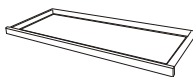
03



05



H x01



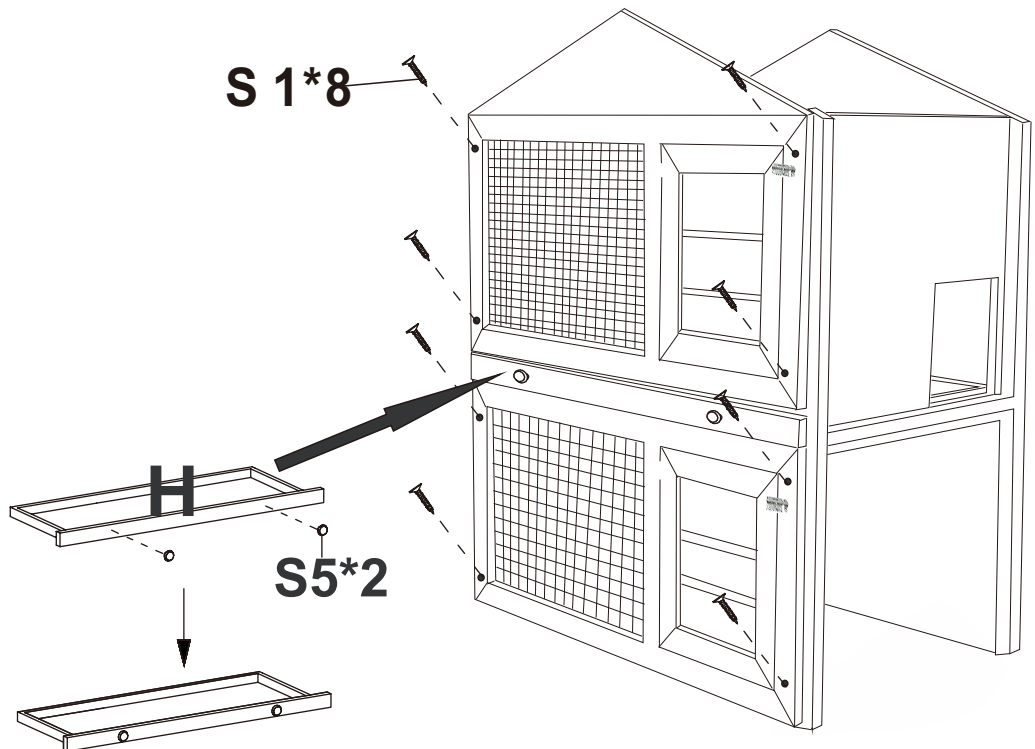
S5 x02



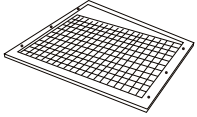
S1 x08



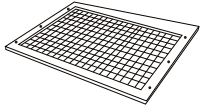
3.5*30mm



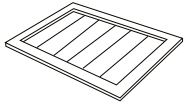
J x02



K x02



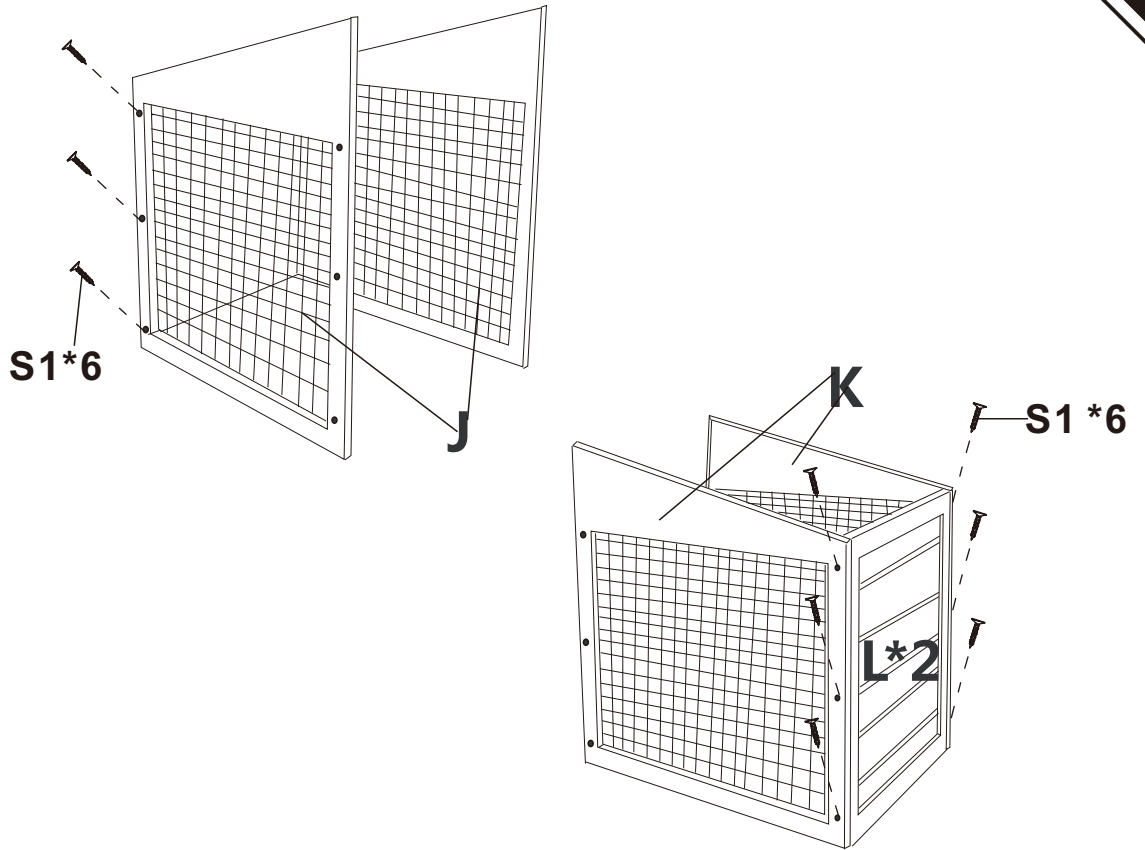
L x02



S1 x12



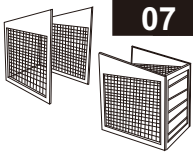
3.5*30mm



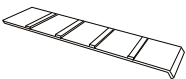
06



07



S x01



S1 x12

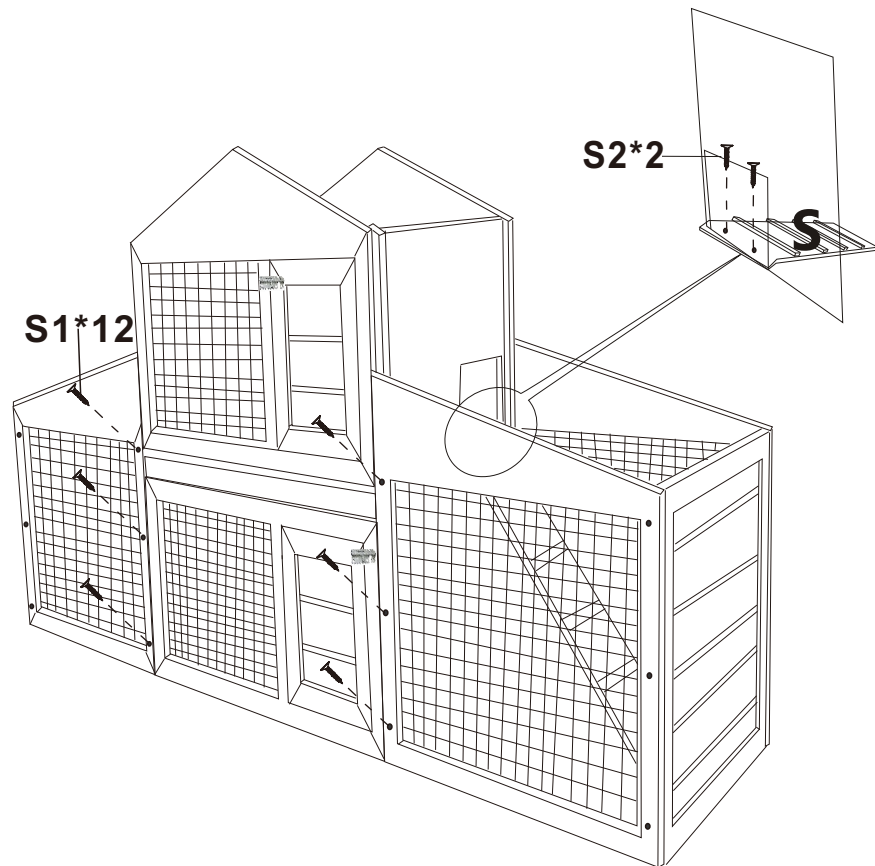


3.5*30mm

S2 x02



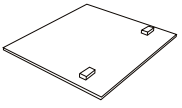
3.5*20mm



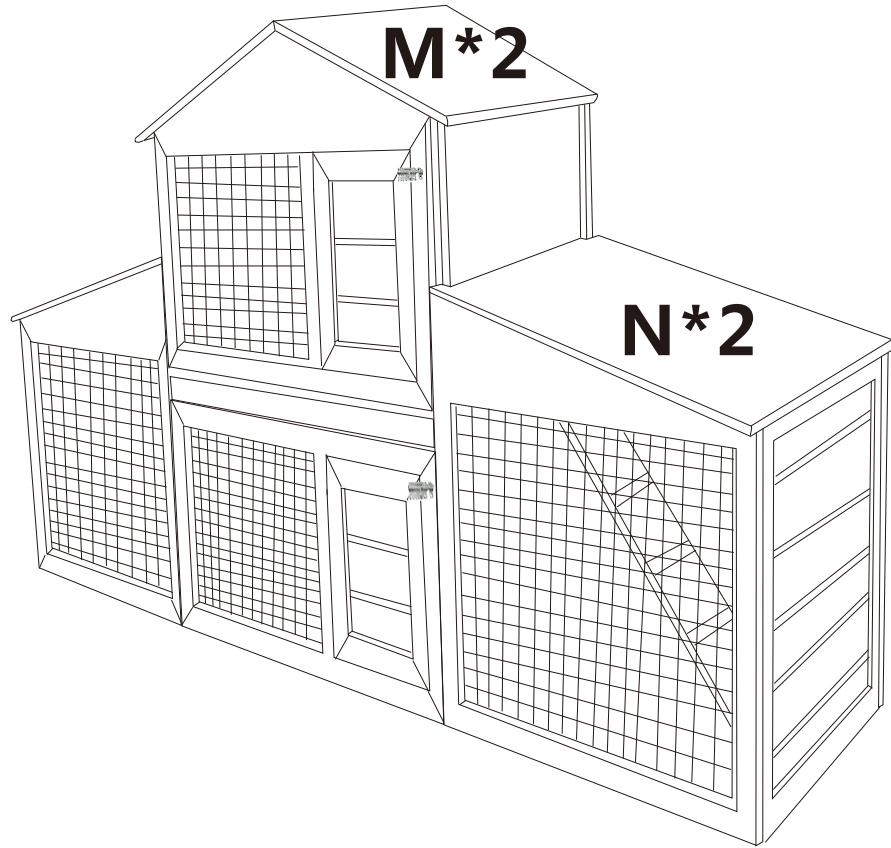
08



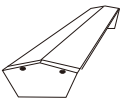
M x02



N x02



04



09



O x04



P x04



S2 x04



3.5*20mm

S3 x28



3.0*18mm

