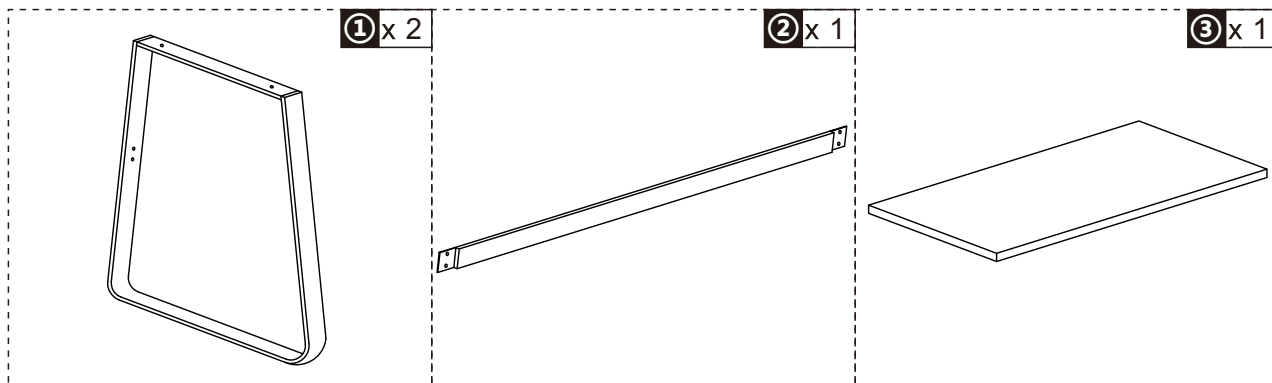


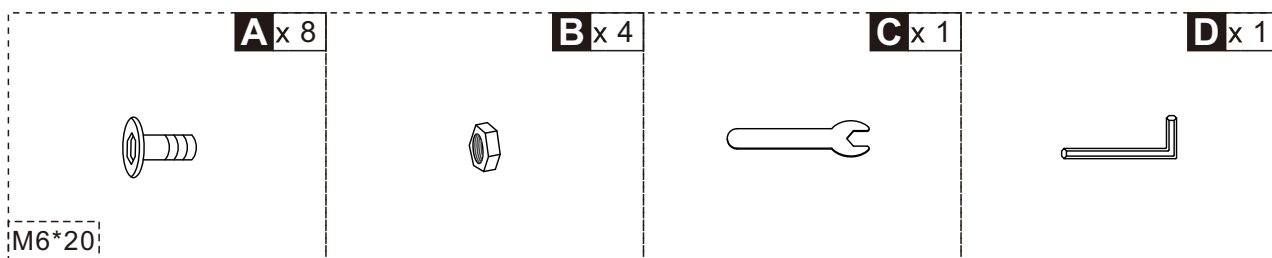
READ AND SAVE THIS INSTRUCTION FOR FUTURE USE

ASSEMBLY INSTRUCTION

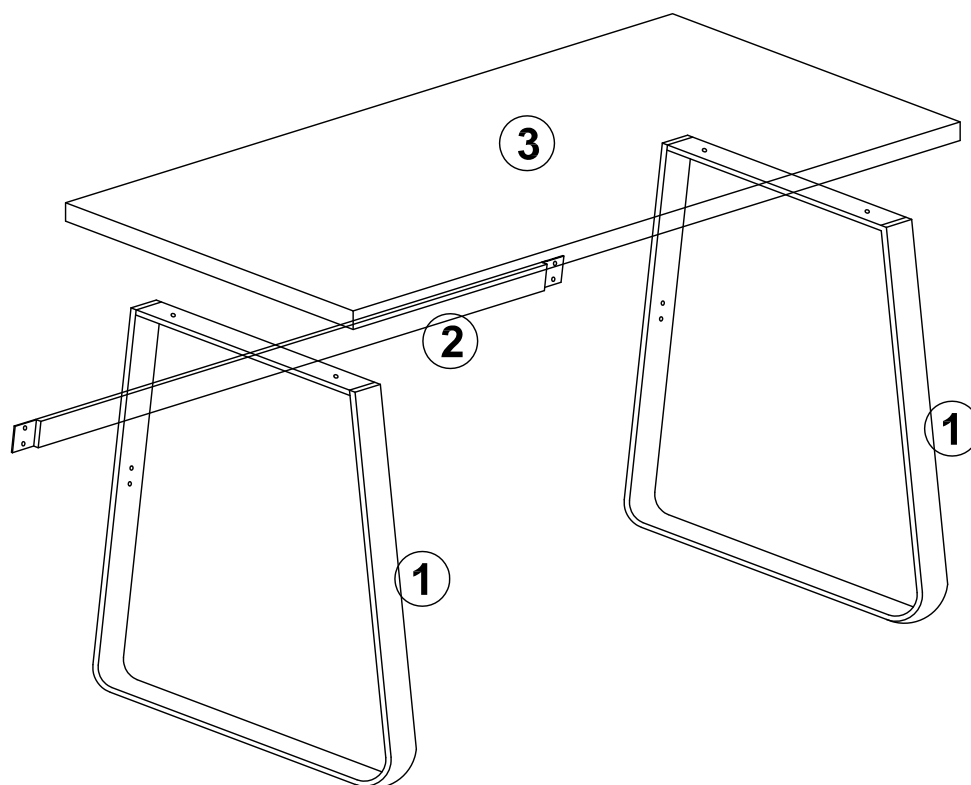
PART LIST




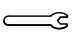


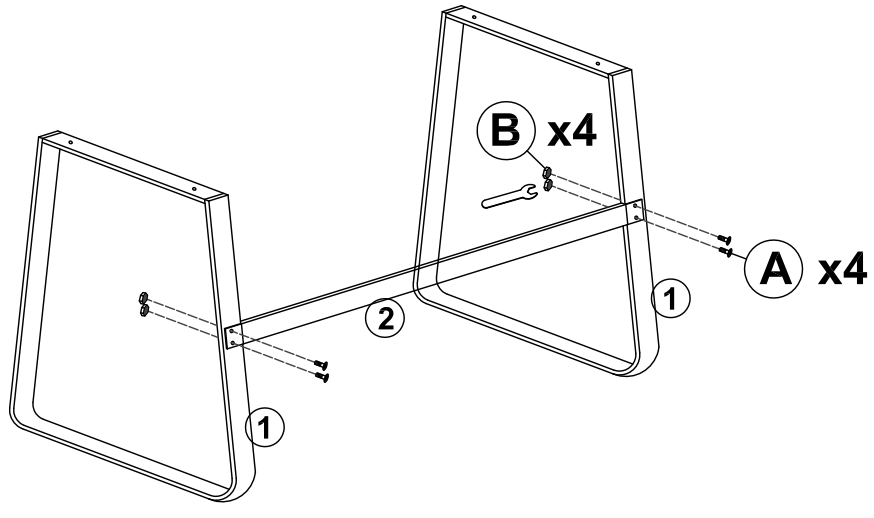
PART LIST





PART LIST

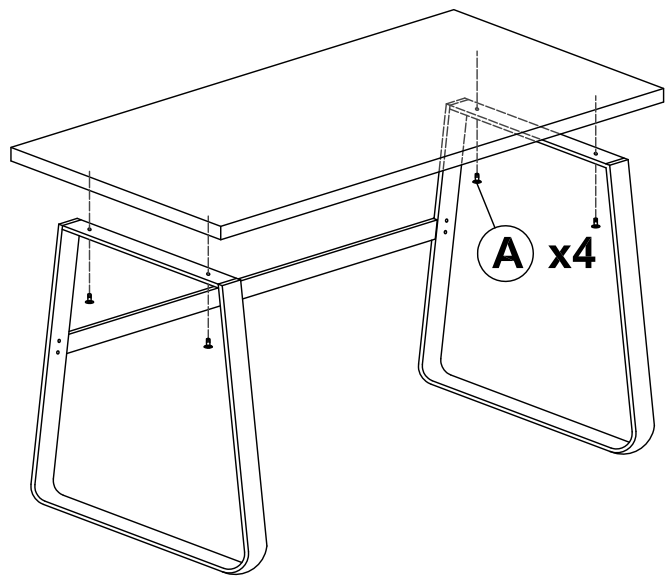


-  **A x 4**
- M6*20
-  **B x 4**
-  **C x 1**
-  **D x 1**

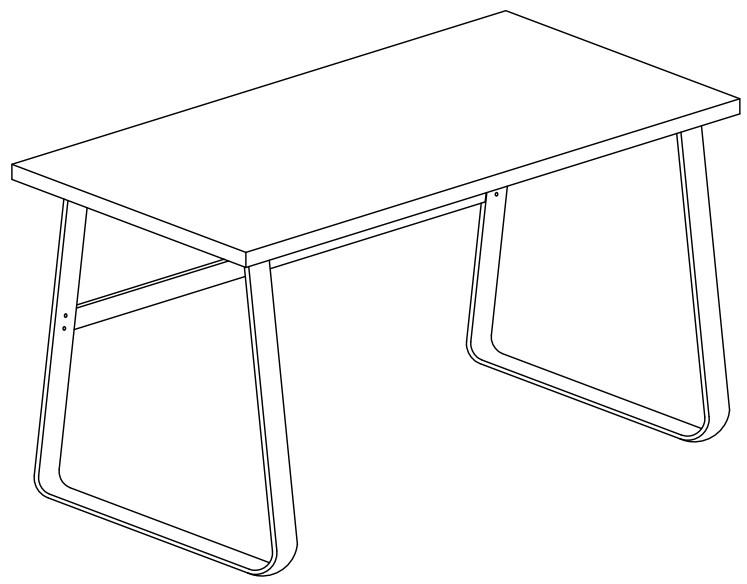


NOTE: Don't fully tighten the screws during installation.

-  **A x 4**
- M6*20
-  **C x 1**



NOTE: When you finish installing the table top, tighten all the screws.



US



001-877-644-9366
customerservice@aosom.com

CA



001-855-537-6088
customerservice@aosom.ca

UK



0044-800-240-4004
enquiries@mhstar.co.uk

DE



0049-(0)40-88307530
service@aosom.de

FR



0033-1-84166106
contact@aosom.fr

ES



0034-931294512
atencioncliente@aosom.es

IT



0039-0249471447
clienti@aosom.it