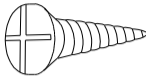
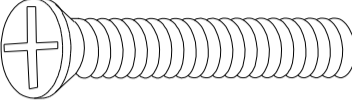
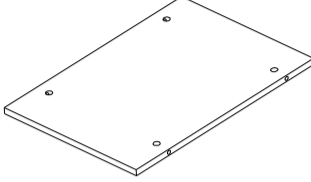
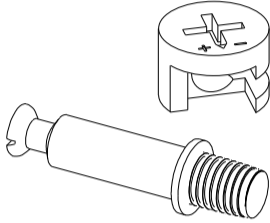
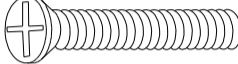
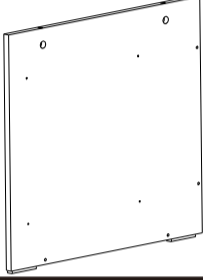

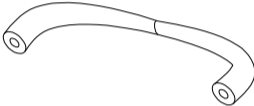
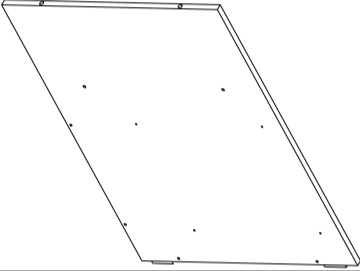
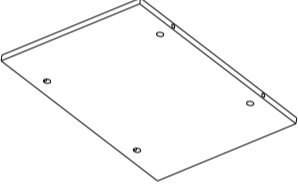
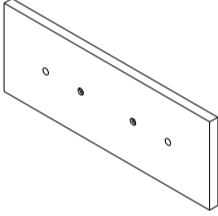
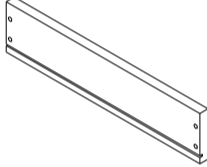
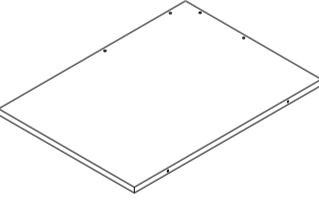
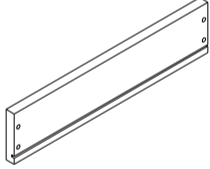
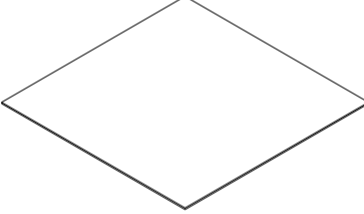
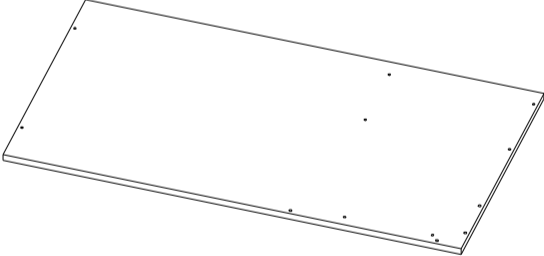

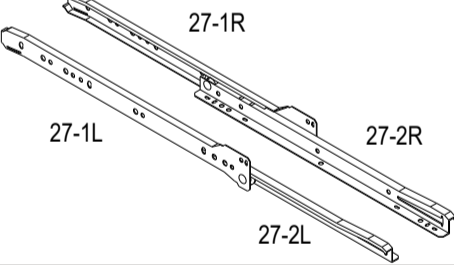


READ AND SAVE THIS INSTRUCTION FOR FUTURE USE

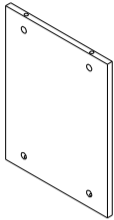
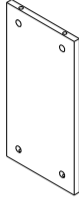
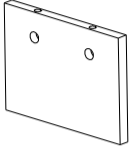
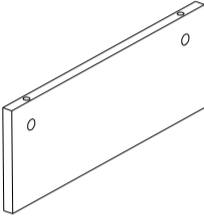
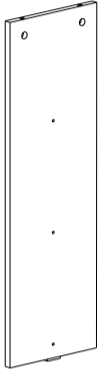
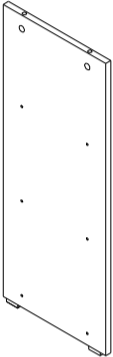
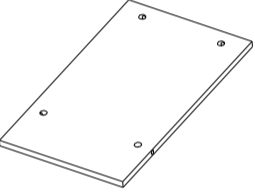
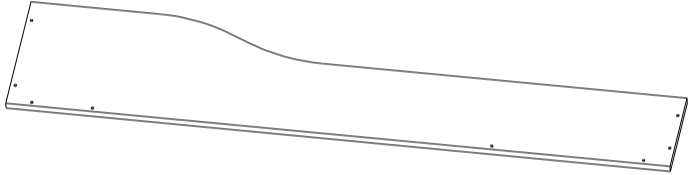
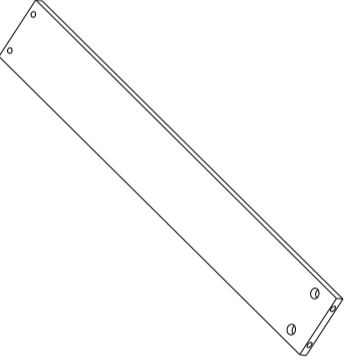
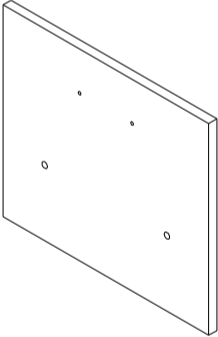
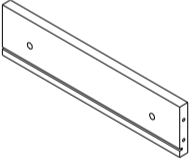
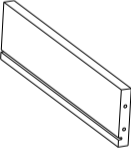
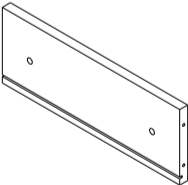
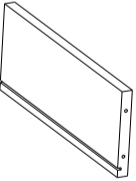
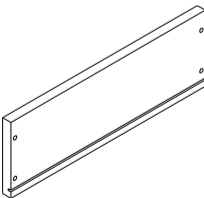
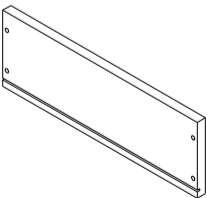
# ASSEMBLY INSTRUCTION

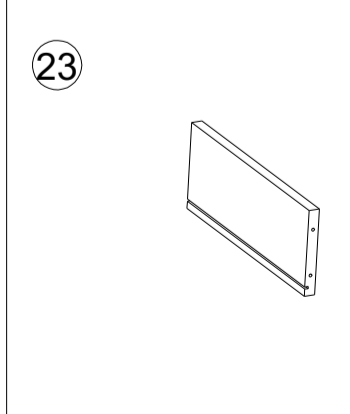
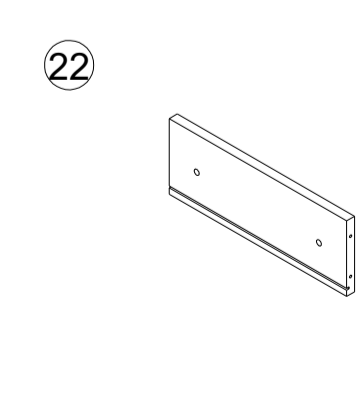
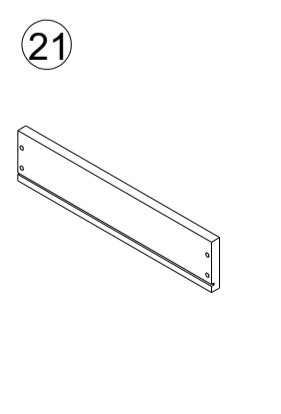
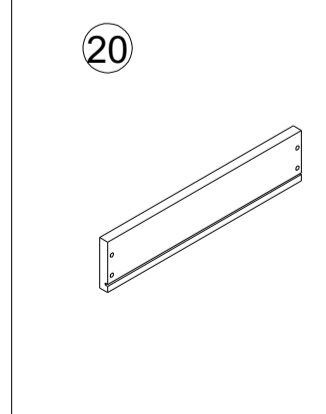
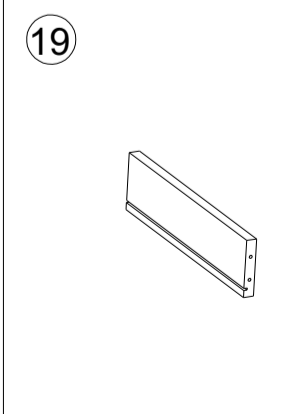
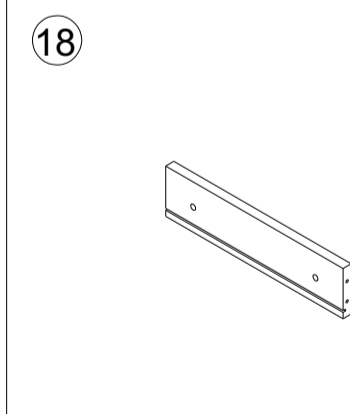
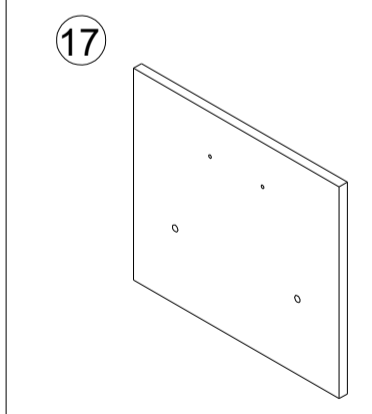
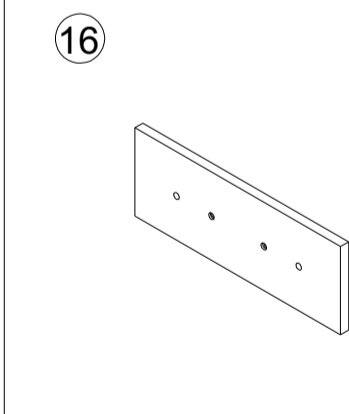
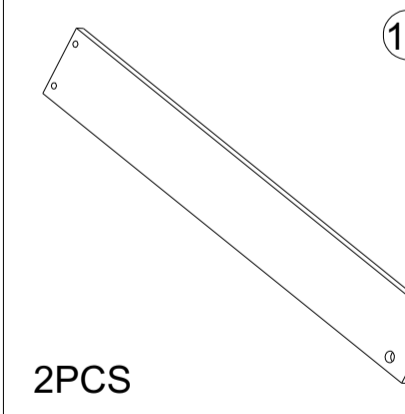
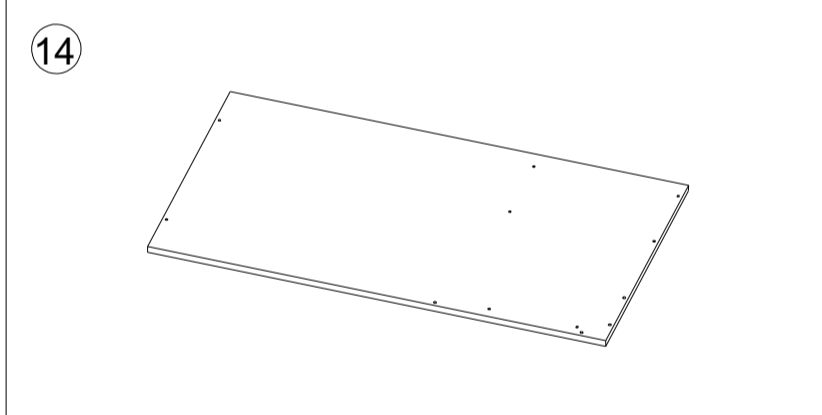
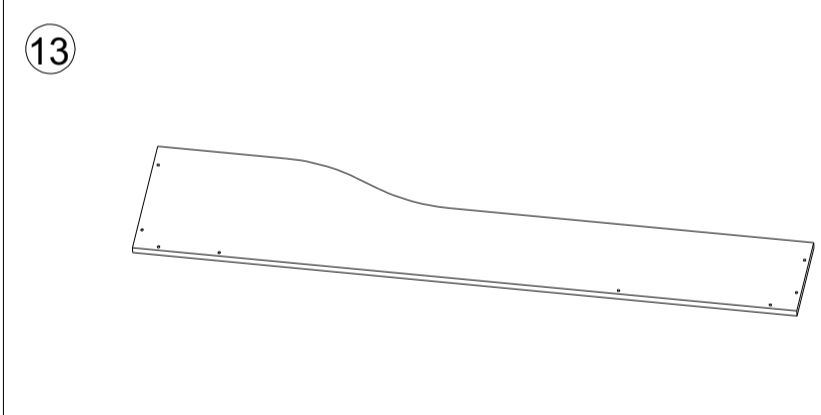
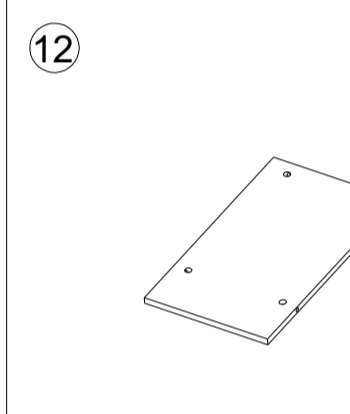
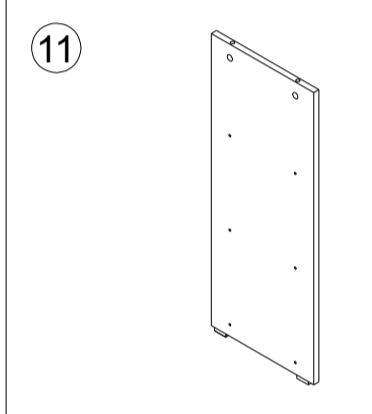
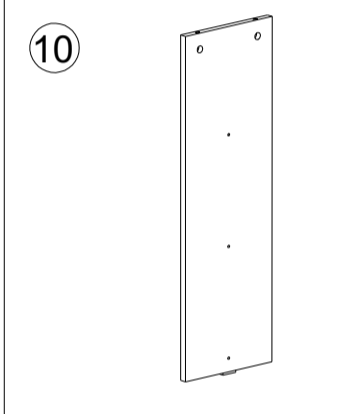
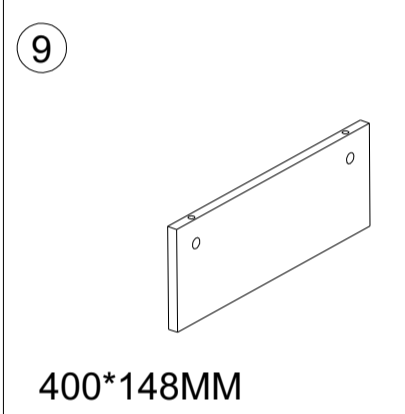
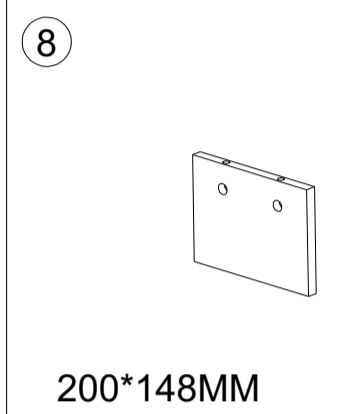
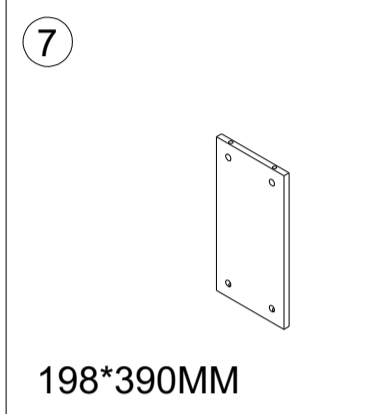
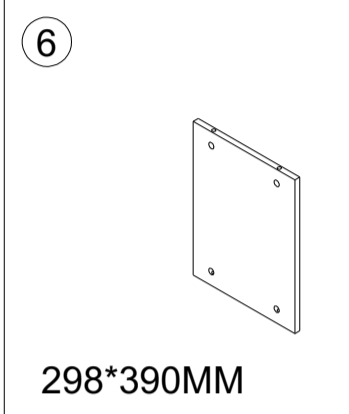
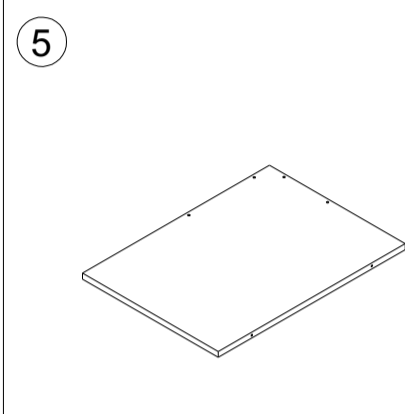
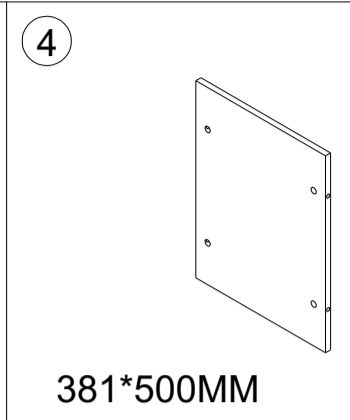
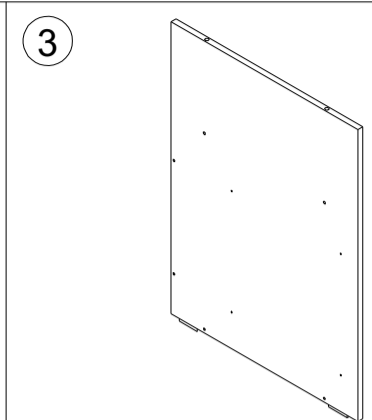
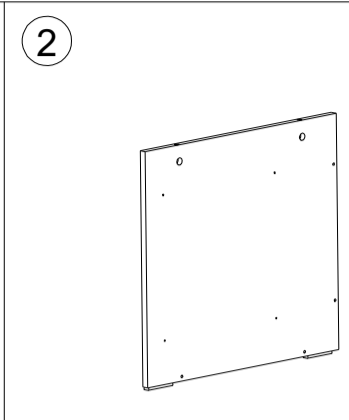
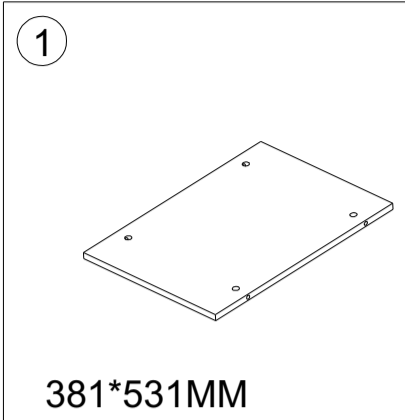
# PACKING DETAILS: TOTAL 2 BOXES

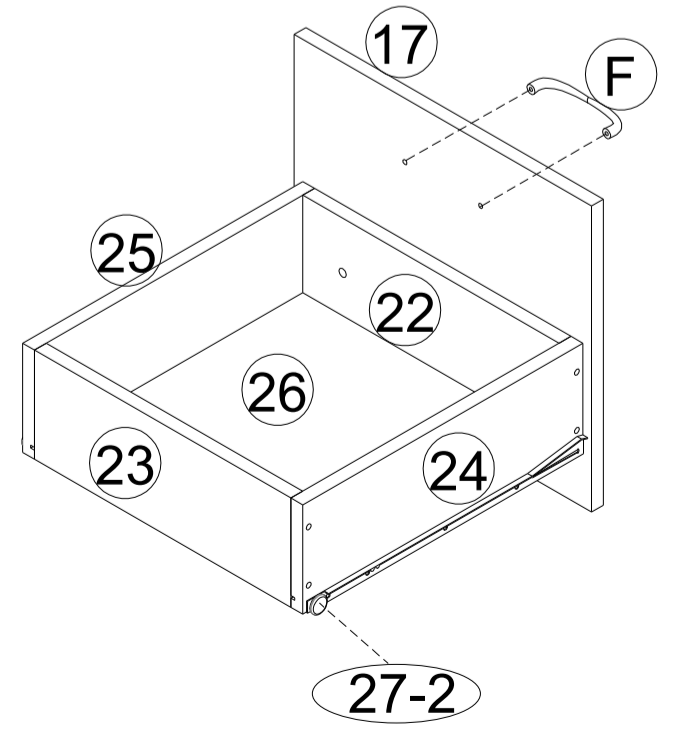
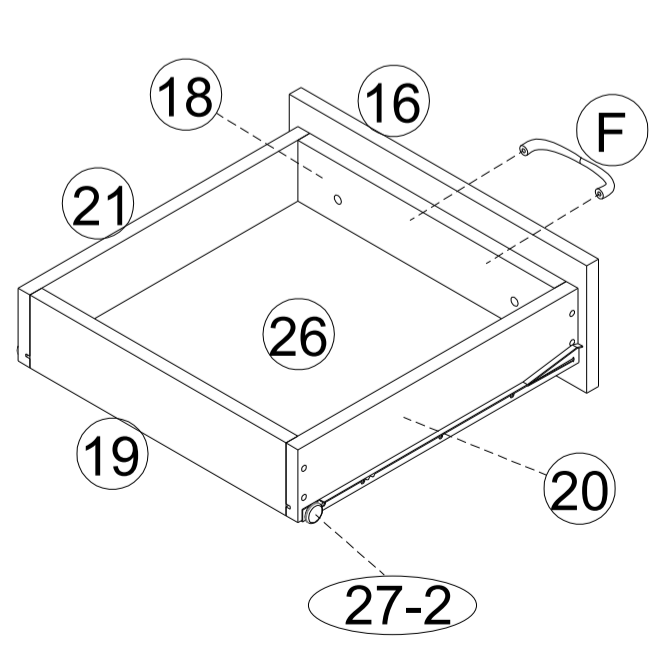
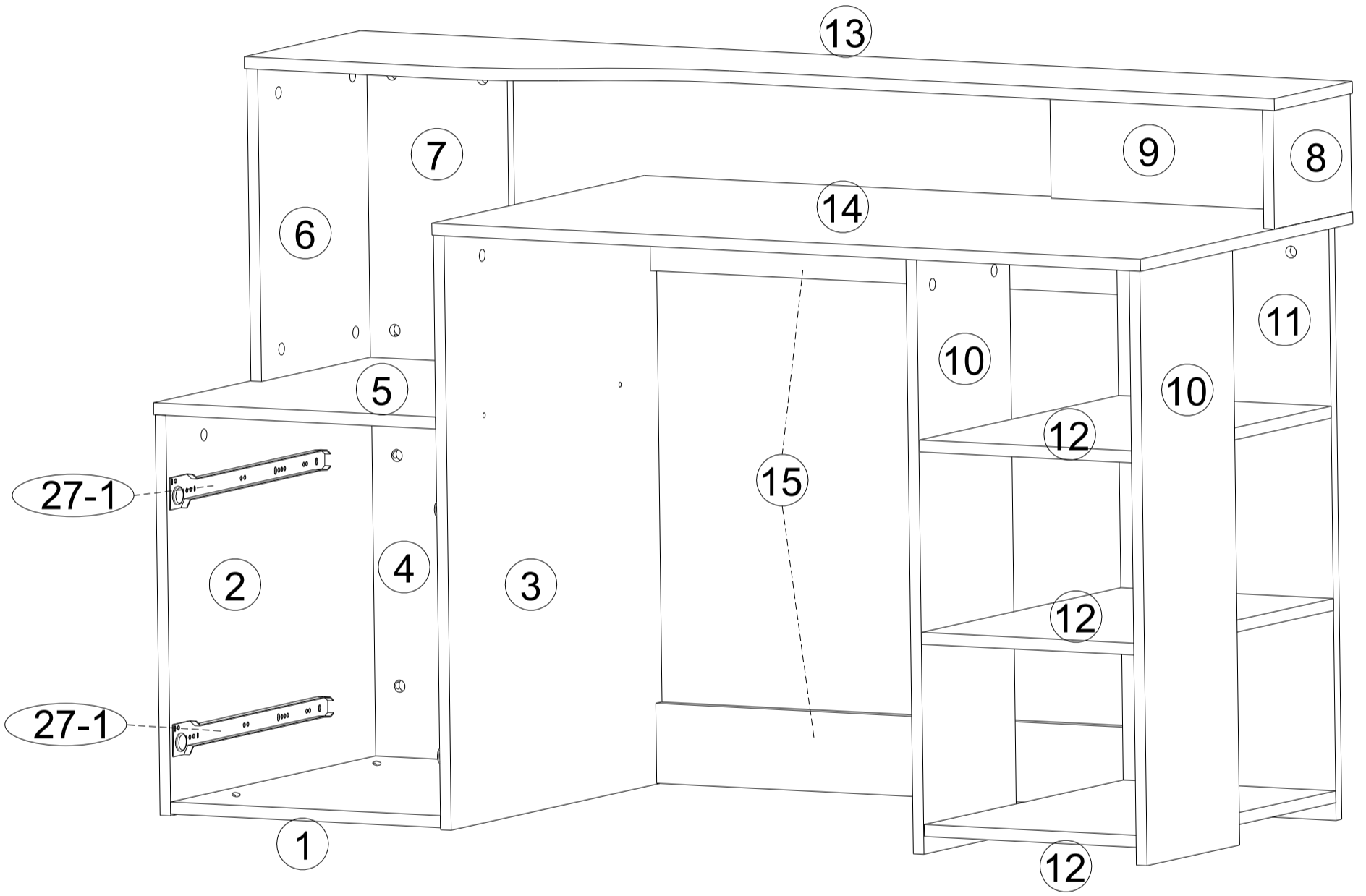
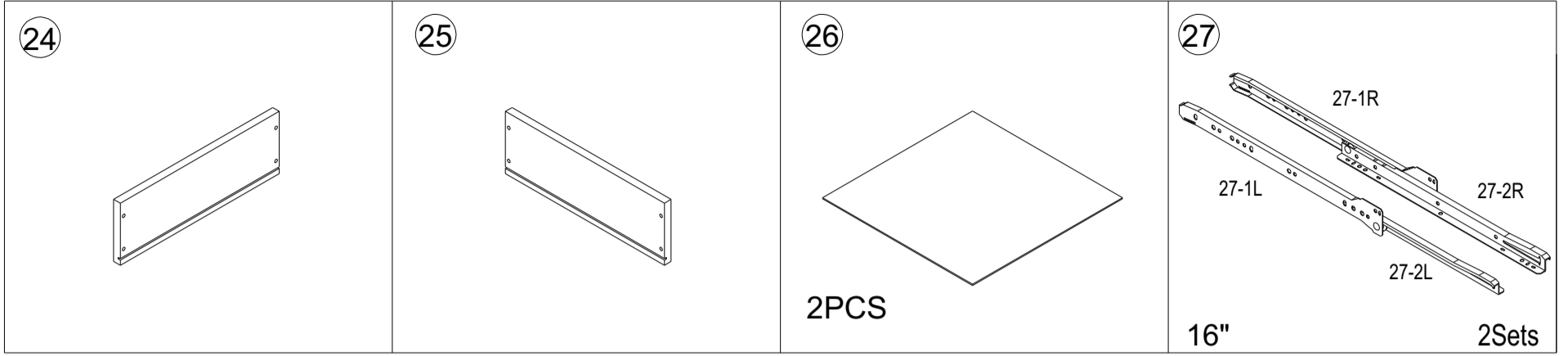
## BOX-1/2

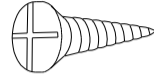

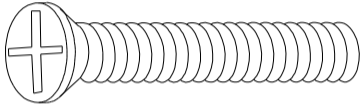
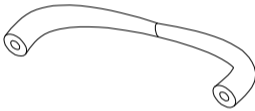
NO.	PARTS	QTY	NO.	PARTS	QTY	NO.	PARTS	QTY
A		16	D		8	①		1
B		46	E		4	②		1
C		22	F		2	③		1
④		1	①⑥		1	②①		1
⑤		1	②⑦		1	③⑥		2
①④		1	③⑦		1	④⑦		2

## BOX-2/2

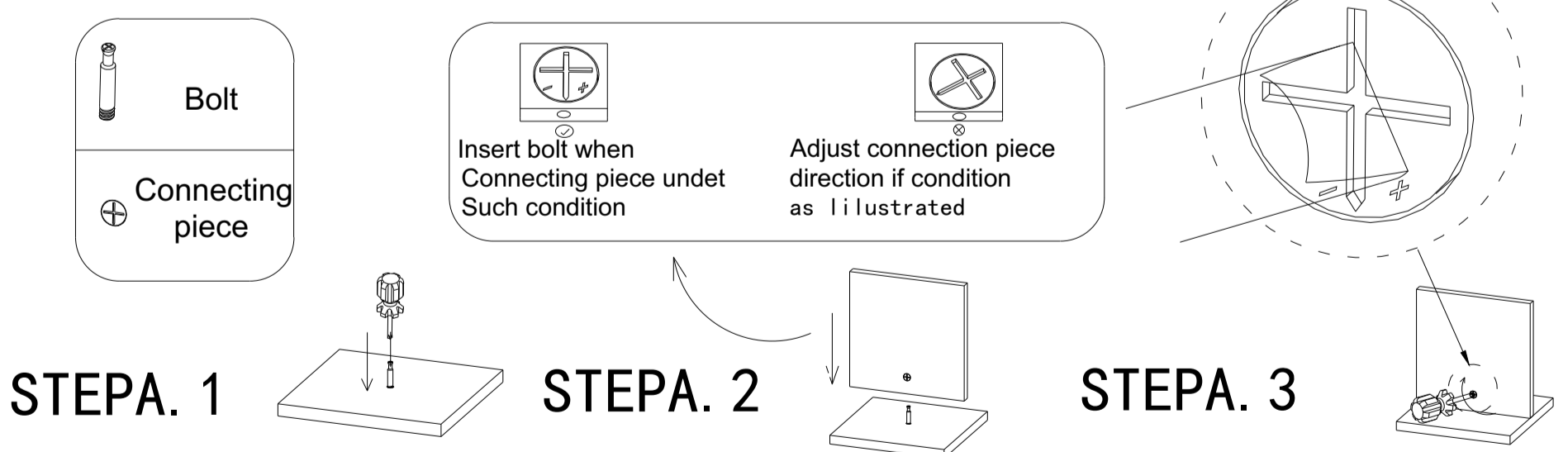
NO.	PARTS	QTY	NO.	PARTS	QTY	NO.	PARTS	QTY
⑥		1	⑦		1	⑧		1
⑨		1	⑩		2	⑪		1
⑫		3	⑬					1
⑮		2	⑰		1	⑱		1
⑲		1	⑳		1	㉓		1
㉔		1	㉕		1			





Part.	Item.	QTY.	
A	M3.5X14	16	
B	M5X45	46	
C	M5X40	22	
D	M6X25	8	
E	M4X18	4	
F	M4X96mm	2	

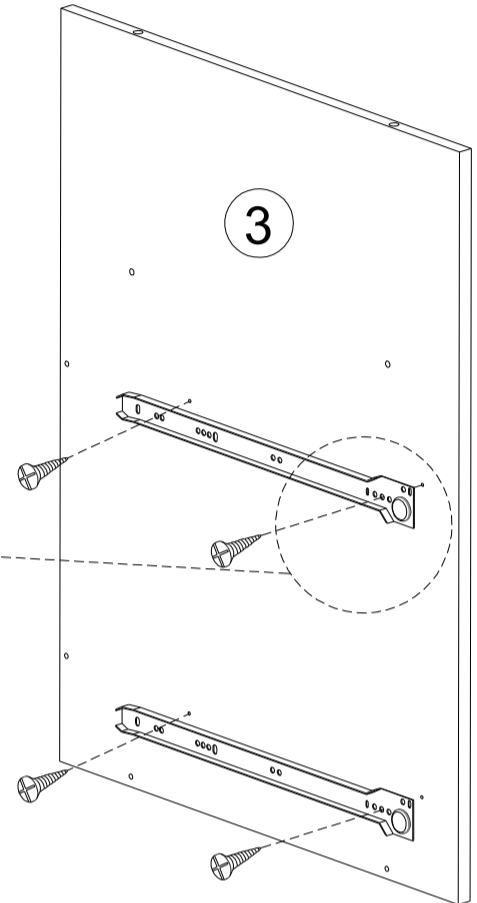
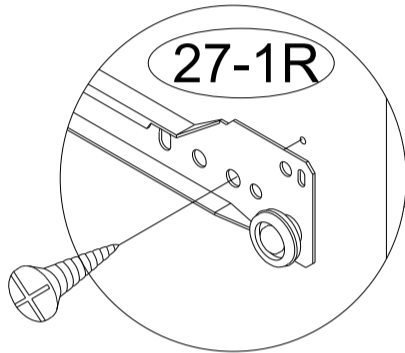
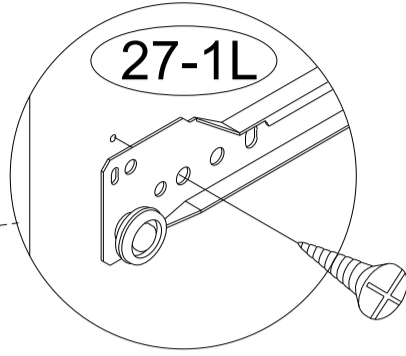
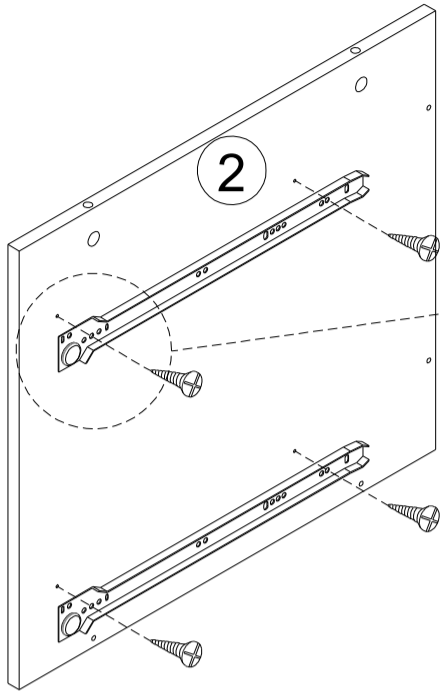
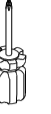
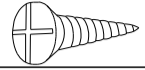
### 5X45mm bolt installation as below



1

.SCREWS

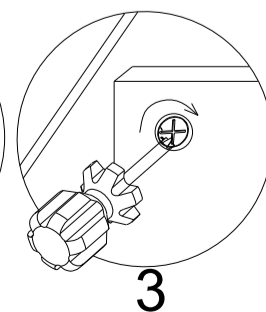
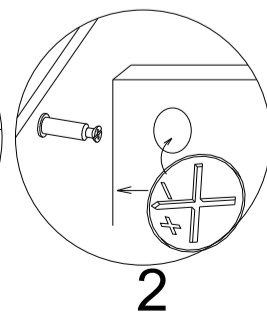
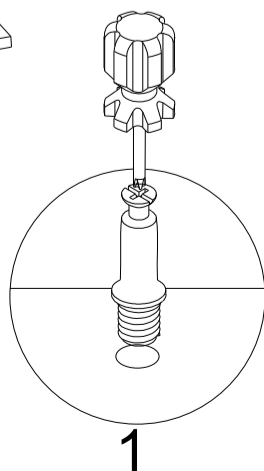
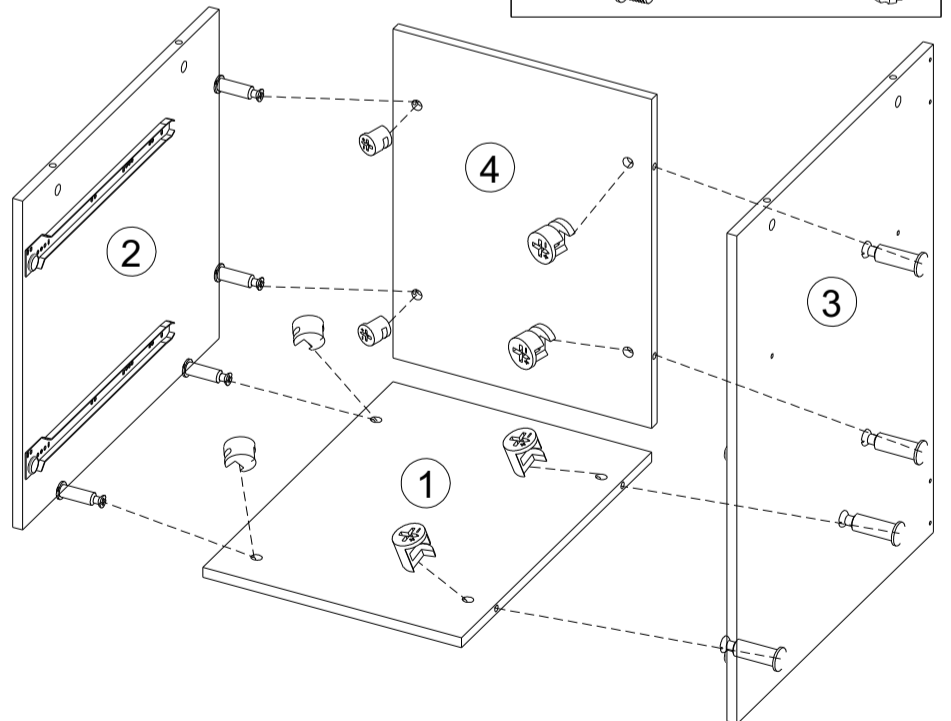
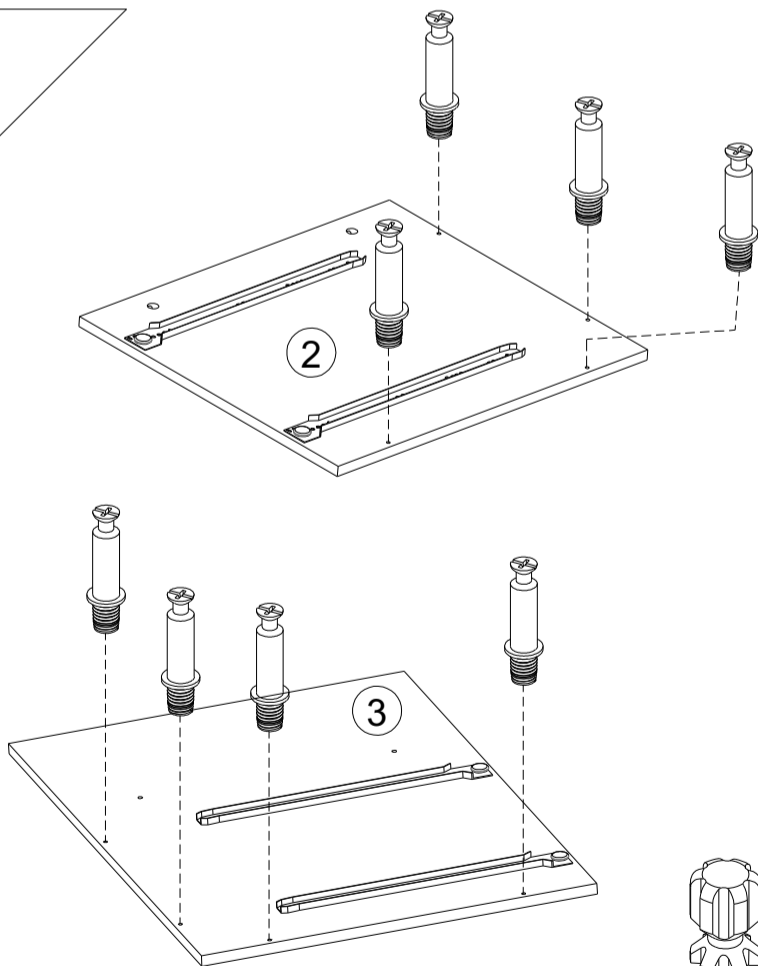
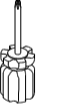
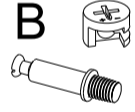
A M3.5X14  
8 PCS



2

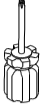
.SCREWS

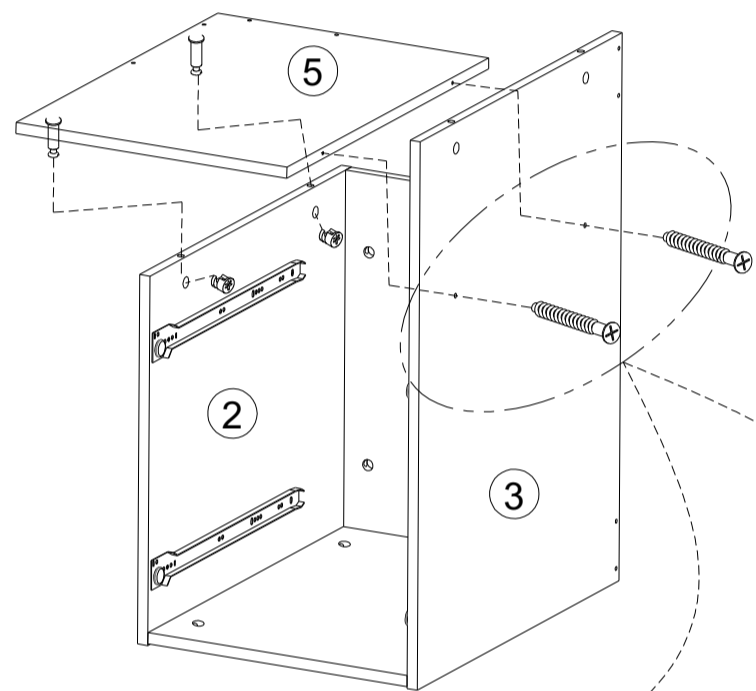
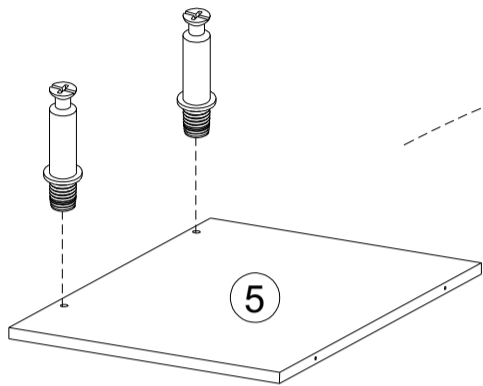
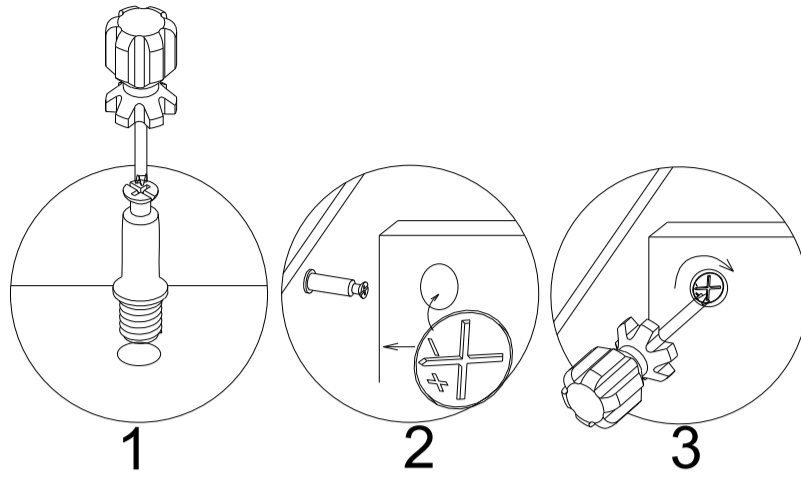
B M5X45  
8 PCS




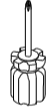
3

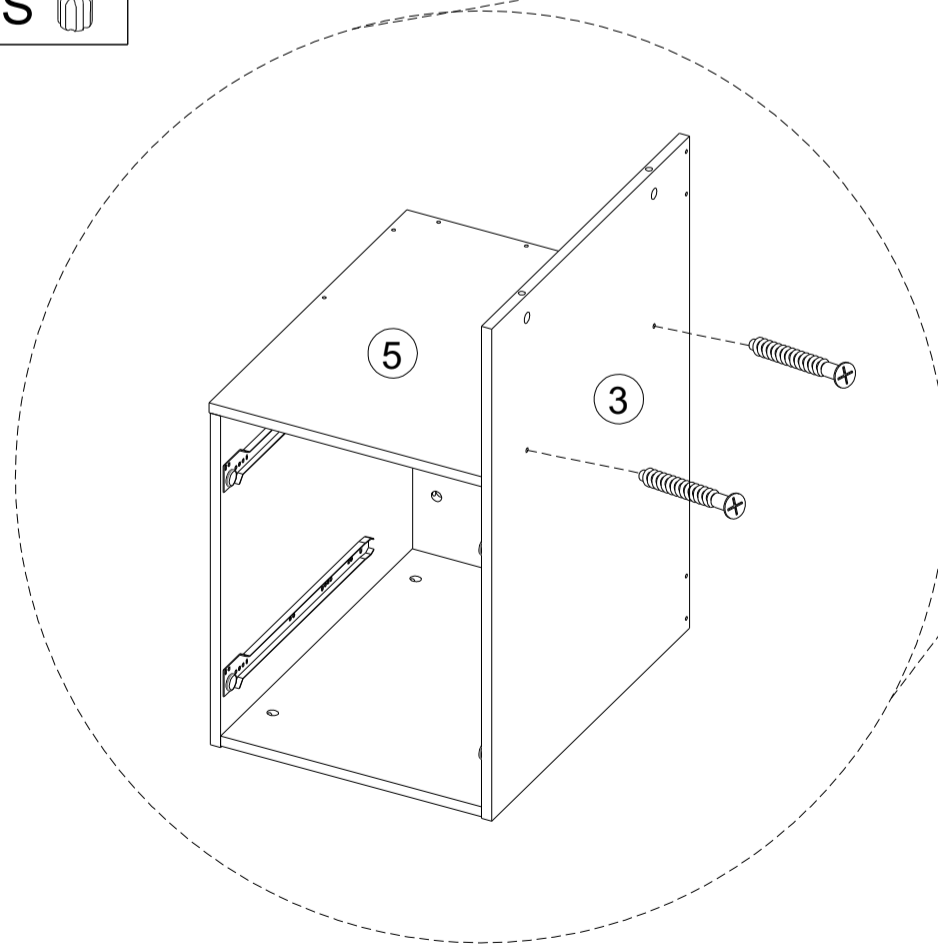
.SCREWS

B  M5X45   
2 PCS



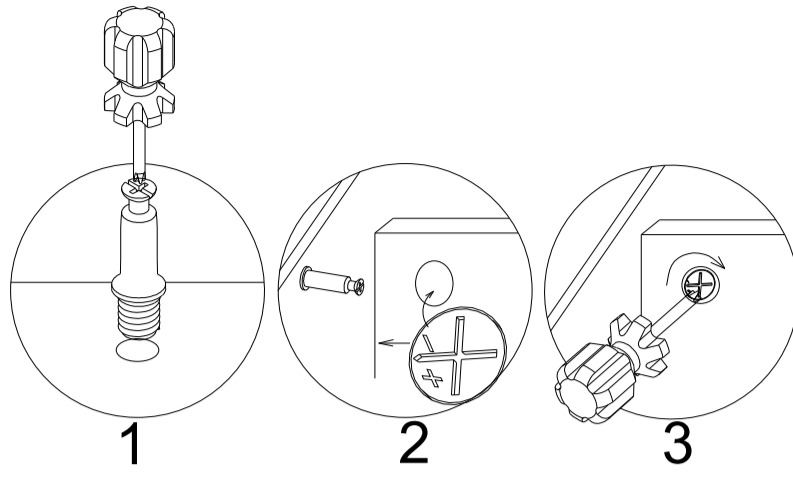
.SCREWS

C  M5X40   
2 PCS

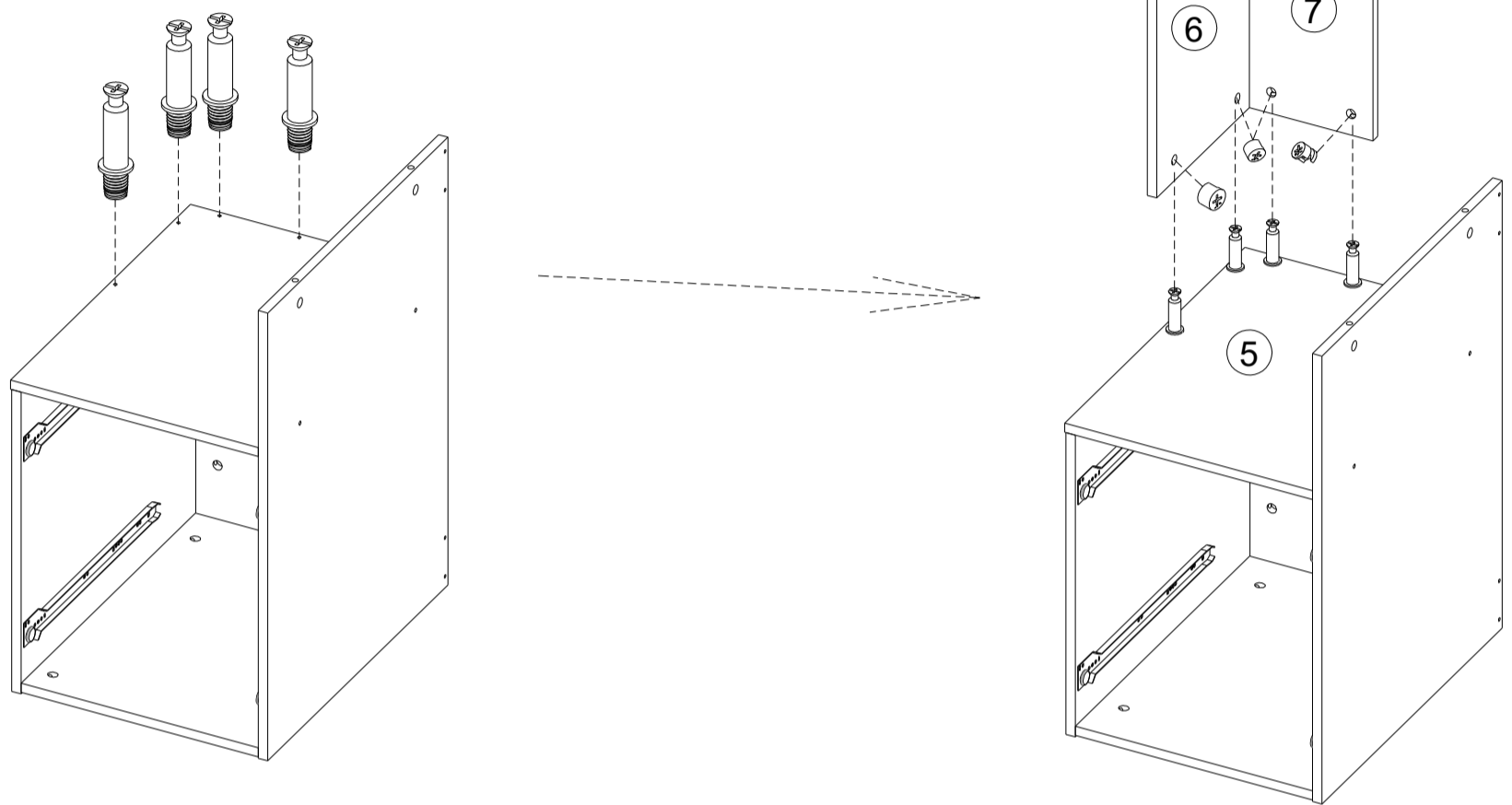




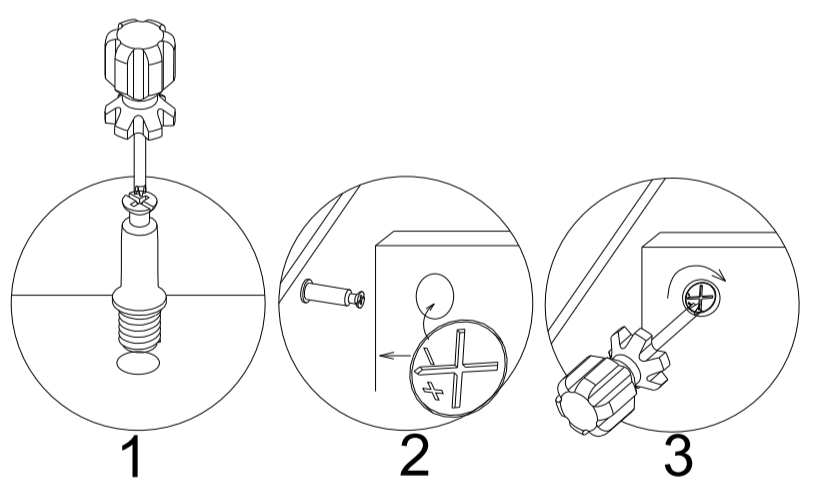
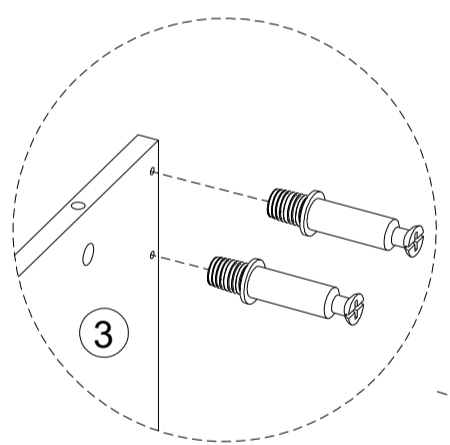
4



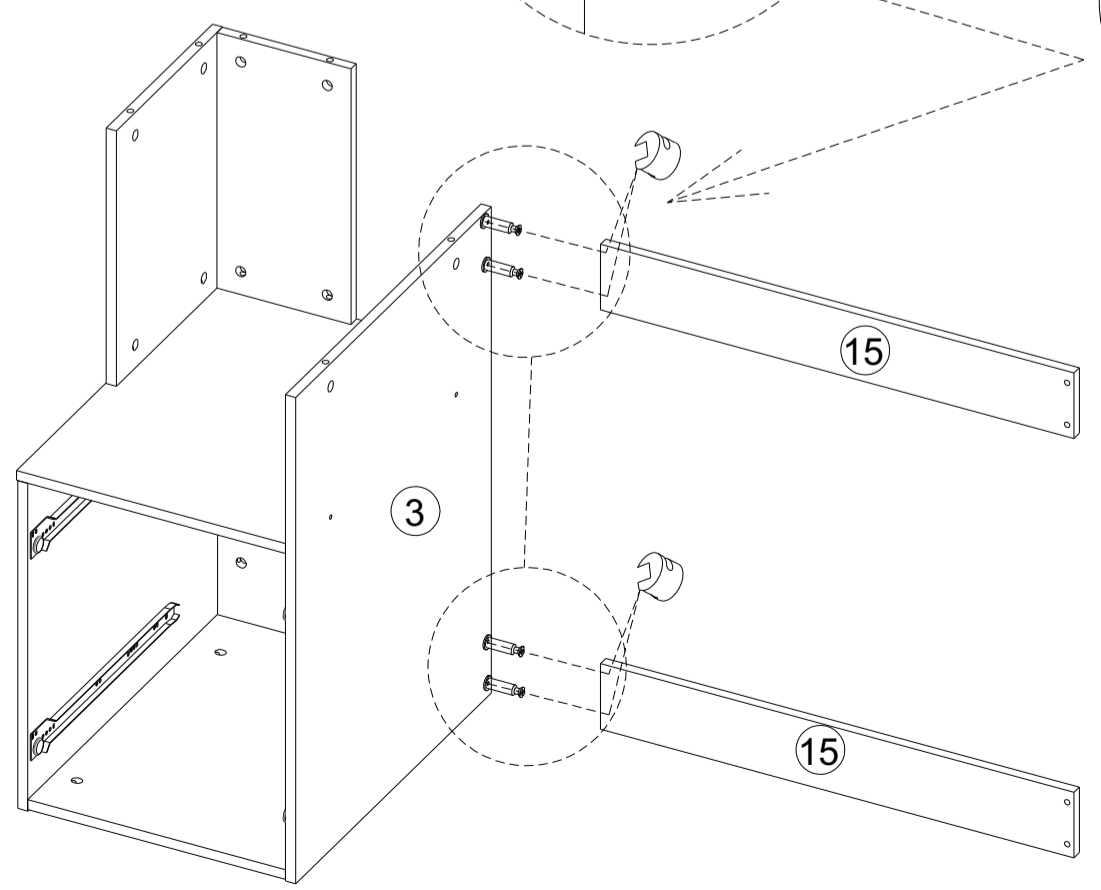
.SCREWS  
 B  M5X45   
 4 PCS



5



.SCREWS  
 B  M5X45   
 4 PCS



6

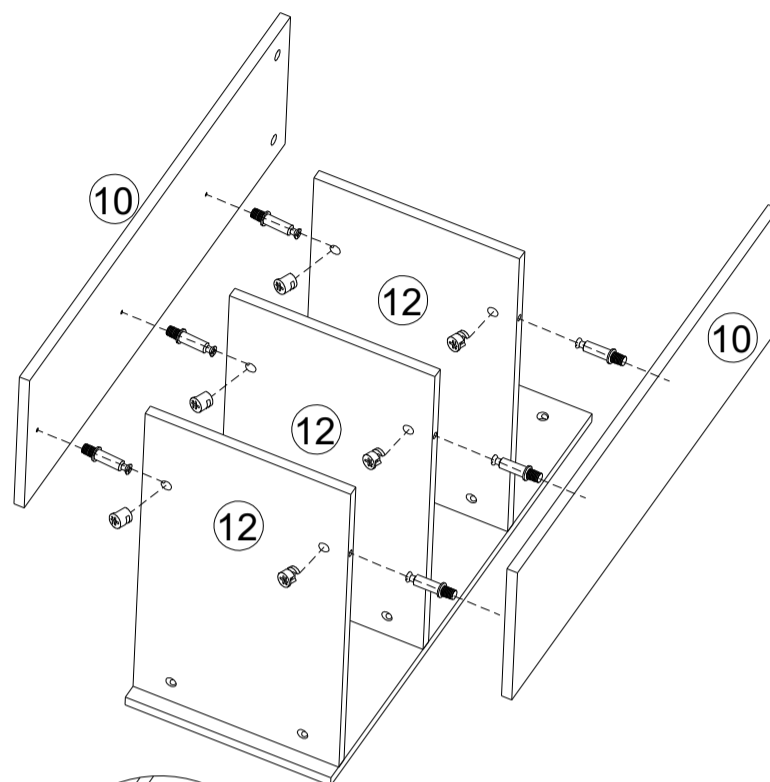
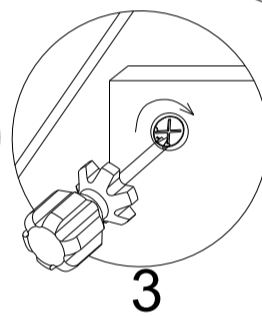
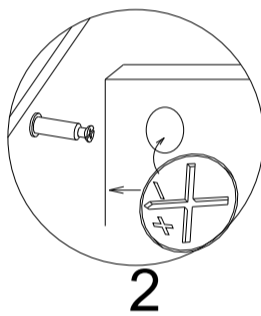
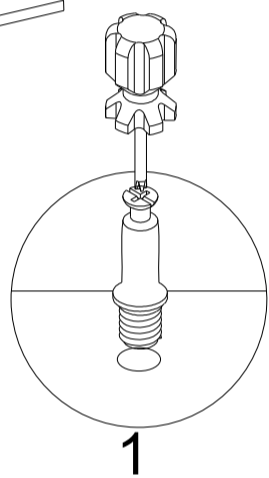
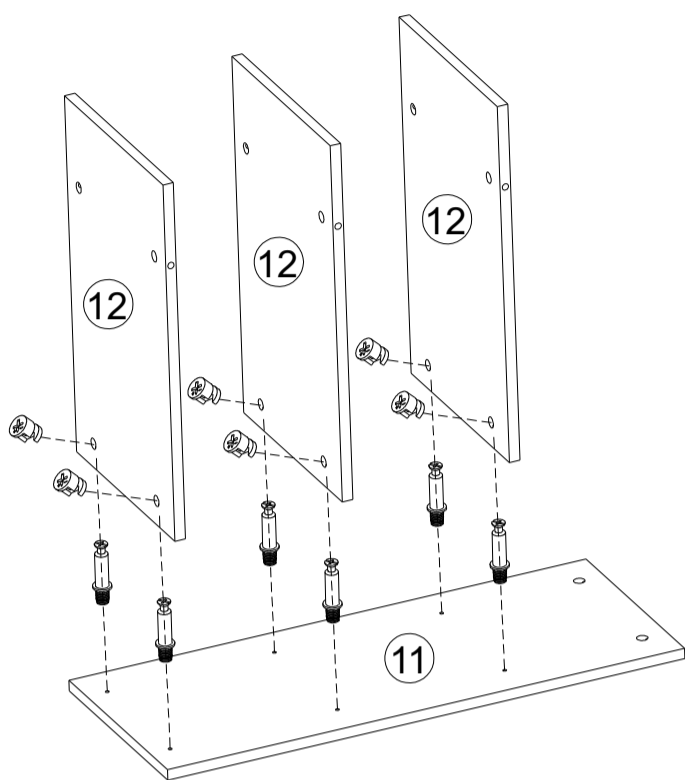
.SCREWS

B M5X45  
6 PCS

7

.SCREWS

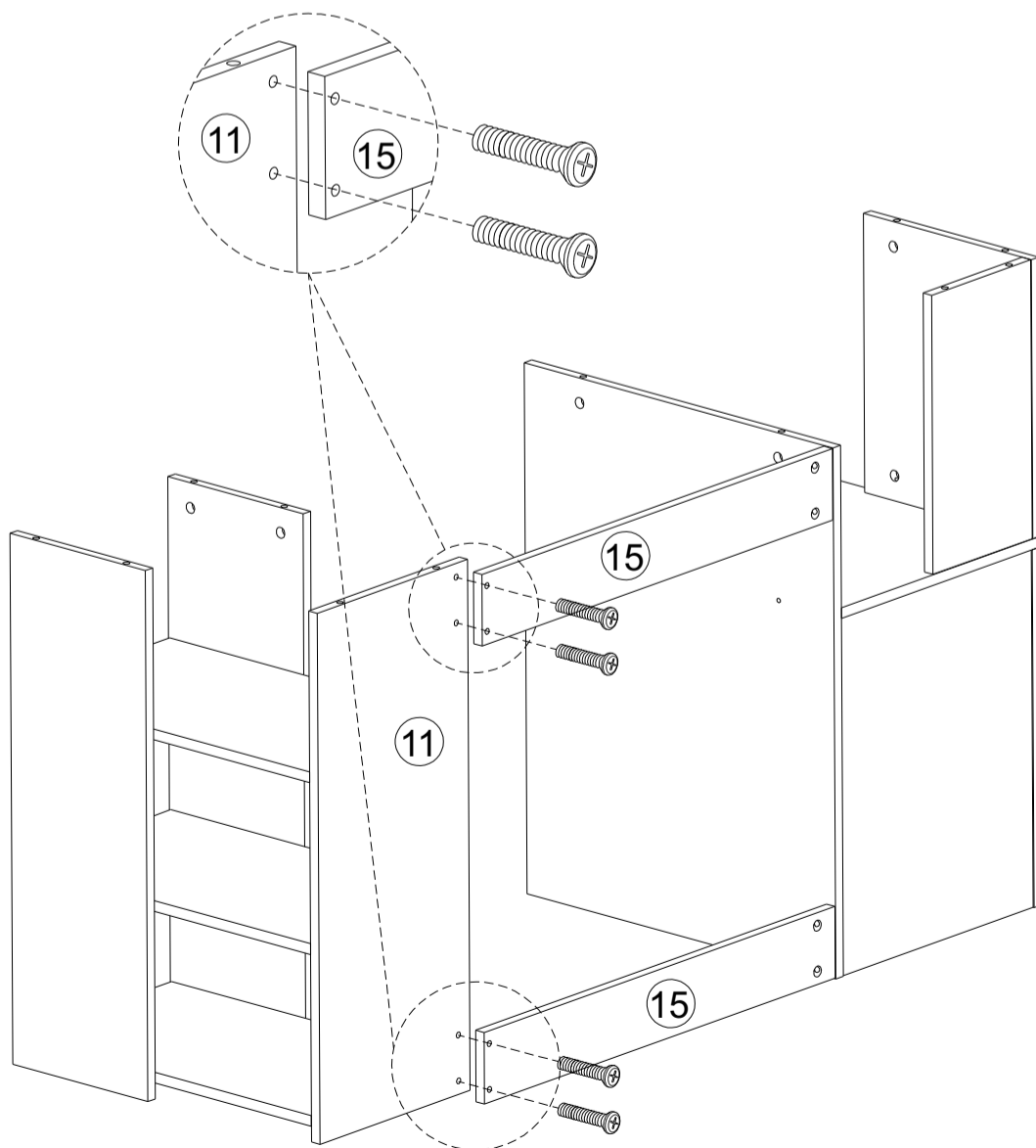
B M5X45  
6 PCS



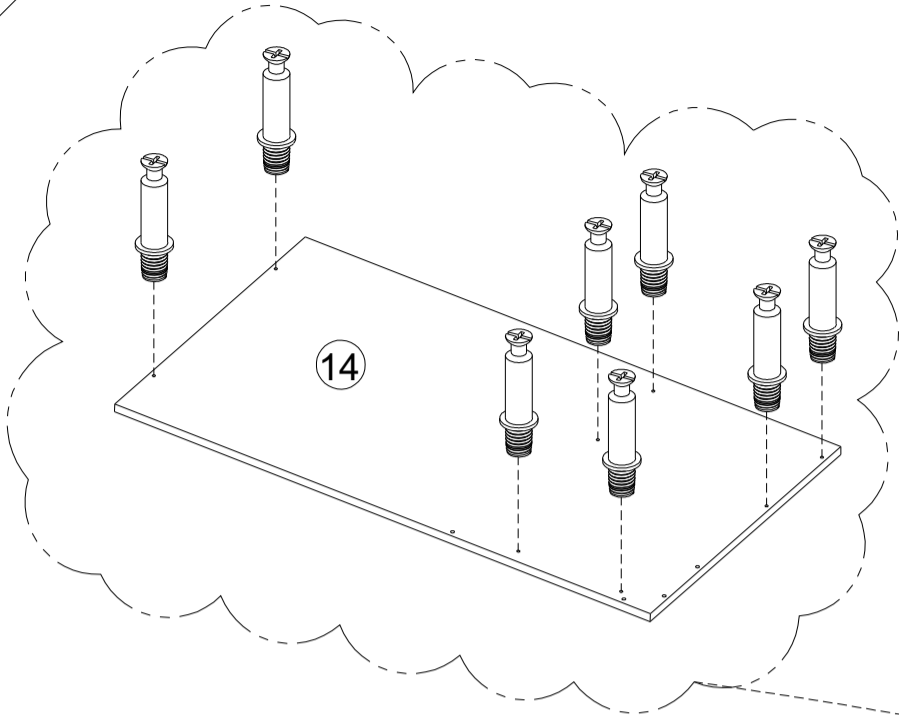
8

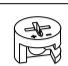
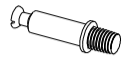

.SCREWS

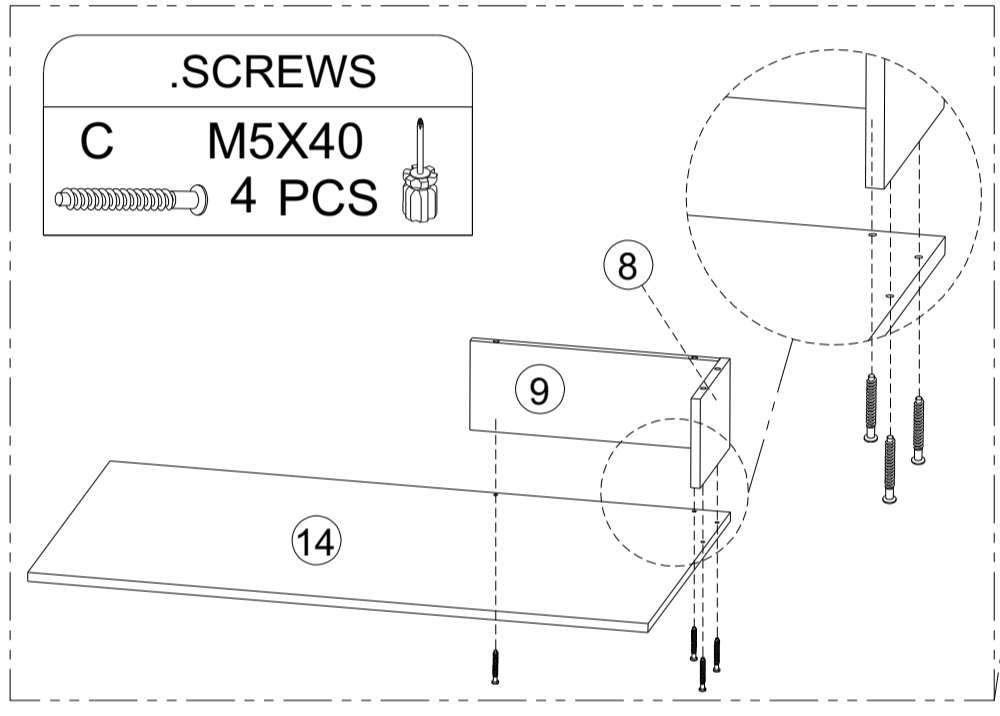
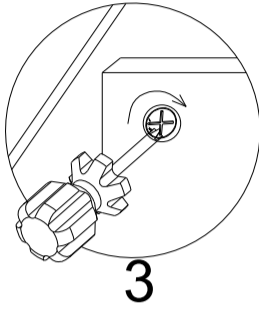
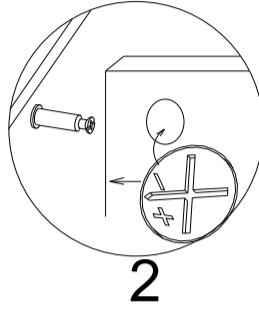
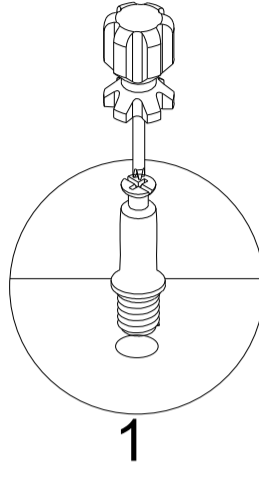
D M6X25  
4 PCS




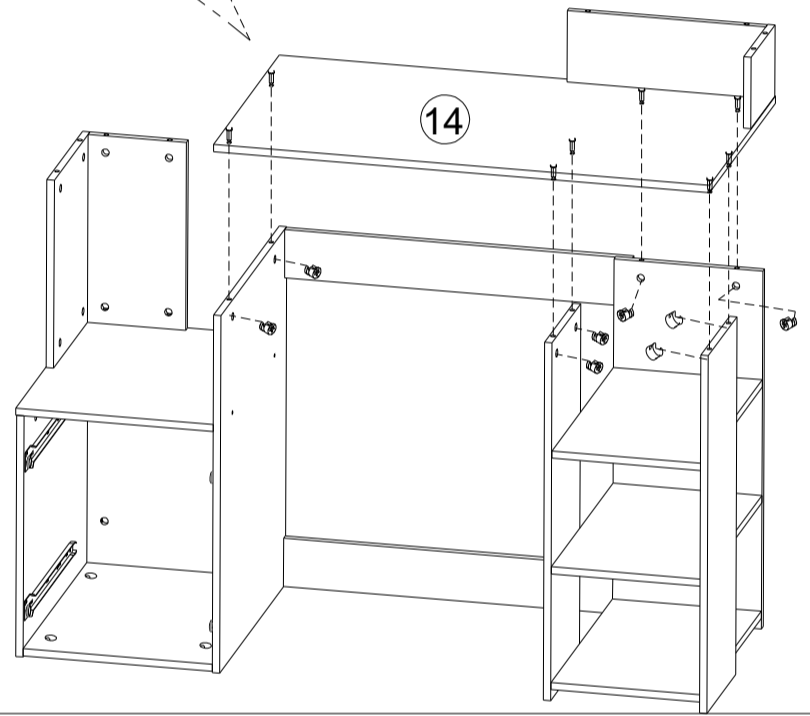
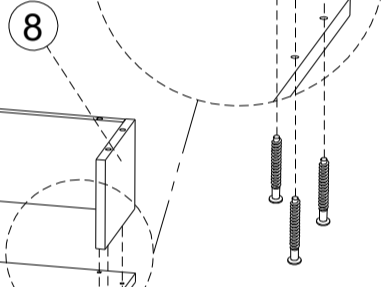
9



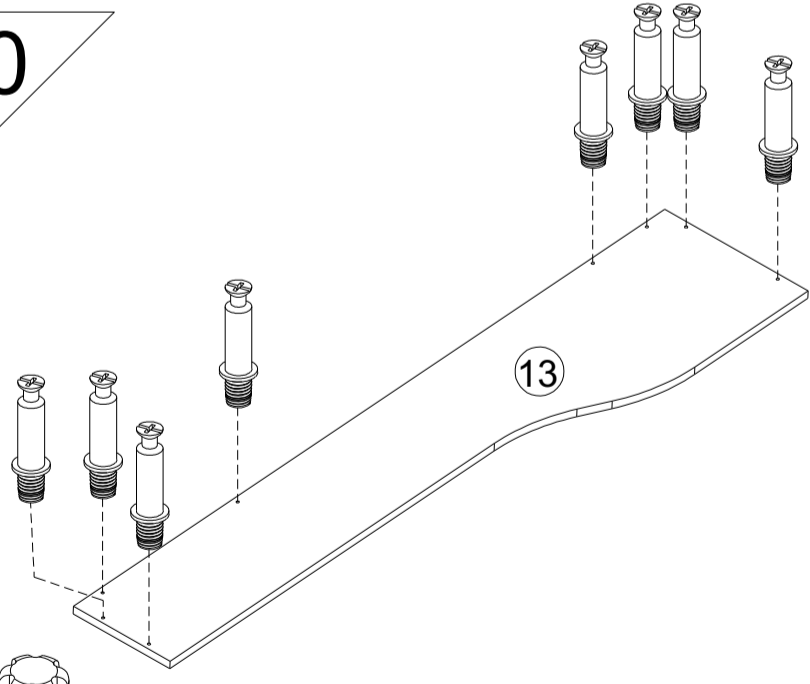
**.SCREWS**  
**B**  **M5X45**  
 **8 PCS** 



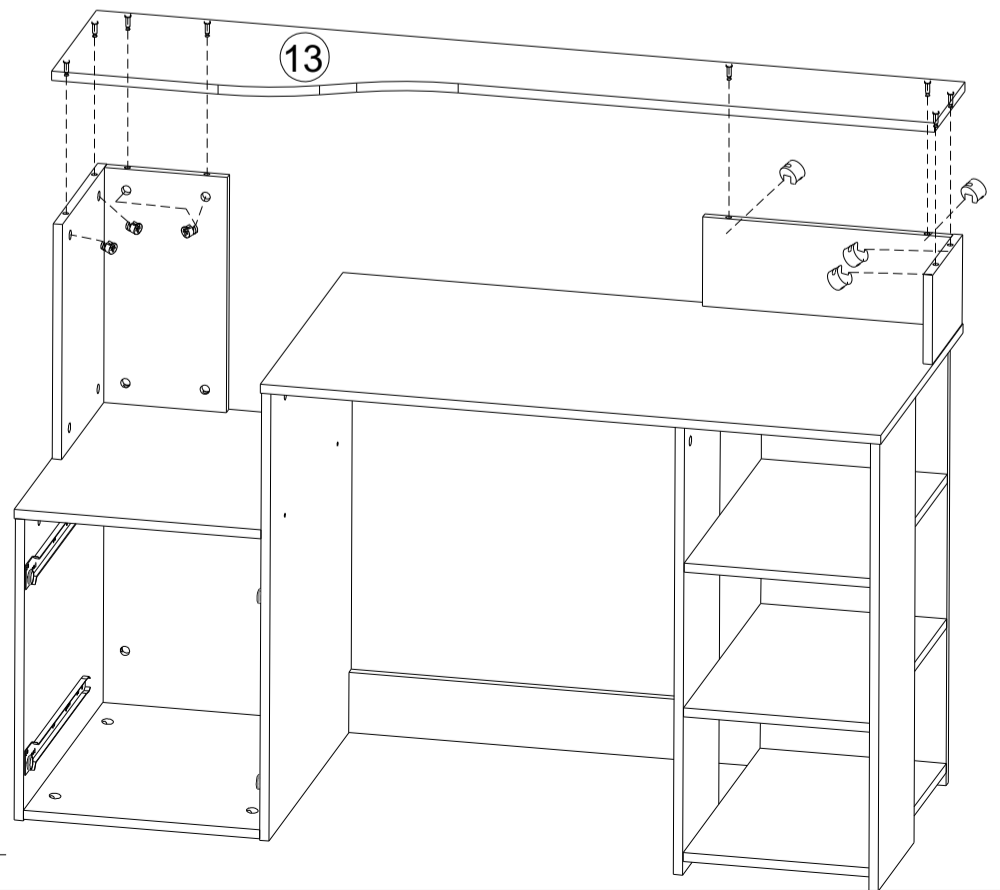
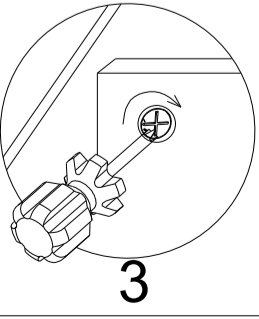
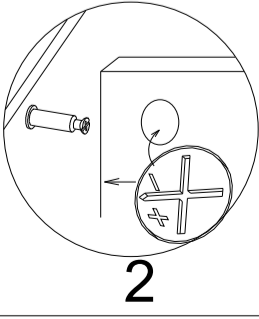
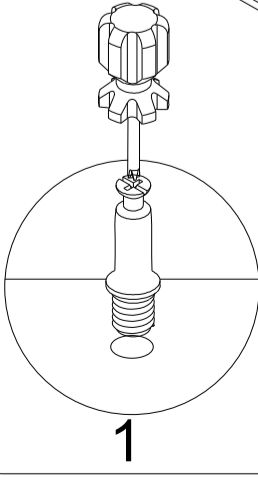
**.SCREWS**  
**C**  **M5X40**  
**4 PCS** 



10



**.SCREWS**  
**B**  **M5X45**  
 **8 PCS** 

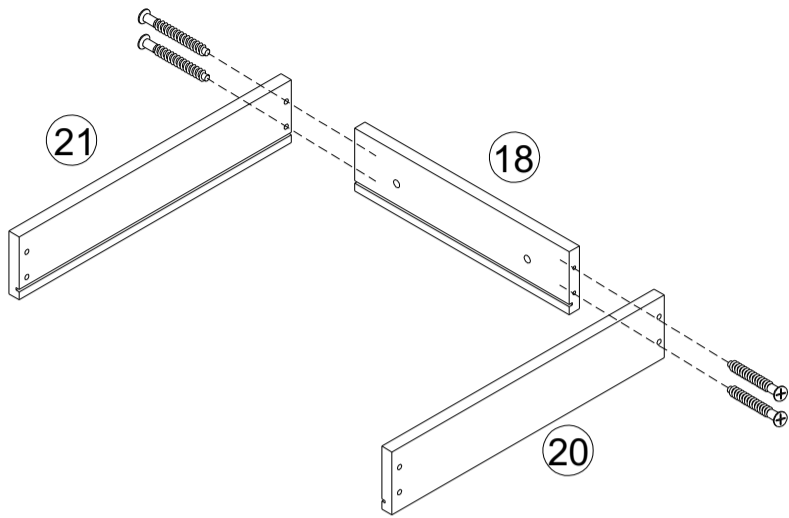


11

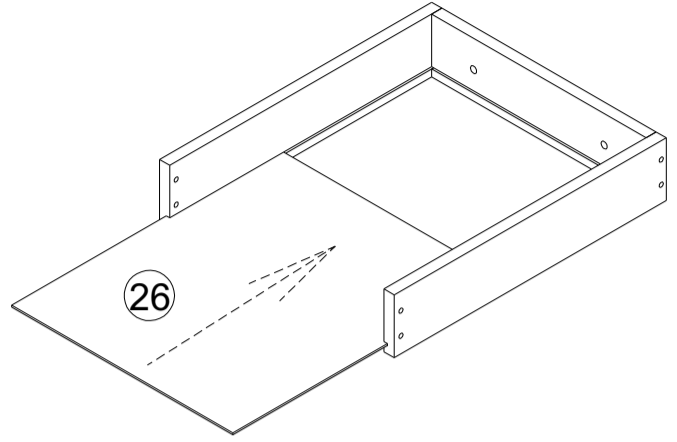
.SCREWS

C M5X40

4 PCS



12

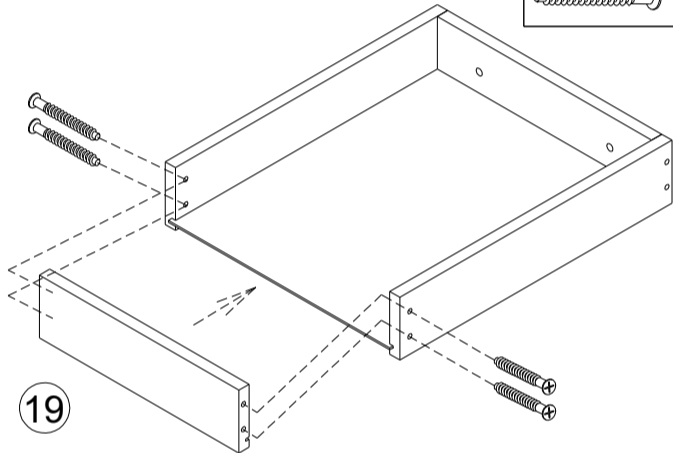


13

.SCREWS

C M5X40

4 PCS

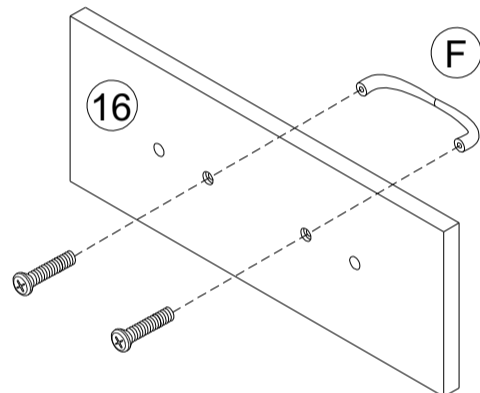


14

.SCREWS

E M4X18

2 PCS

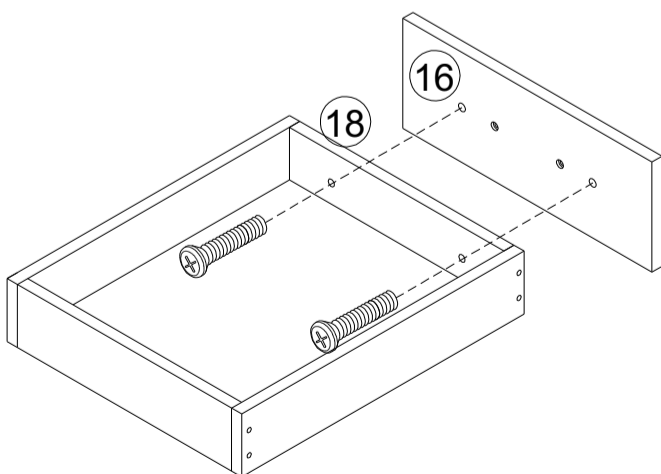


15

.SCREWS

D M6X25

2 PCS

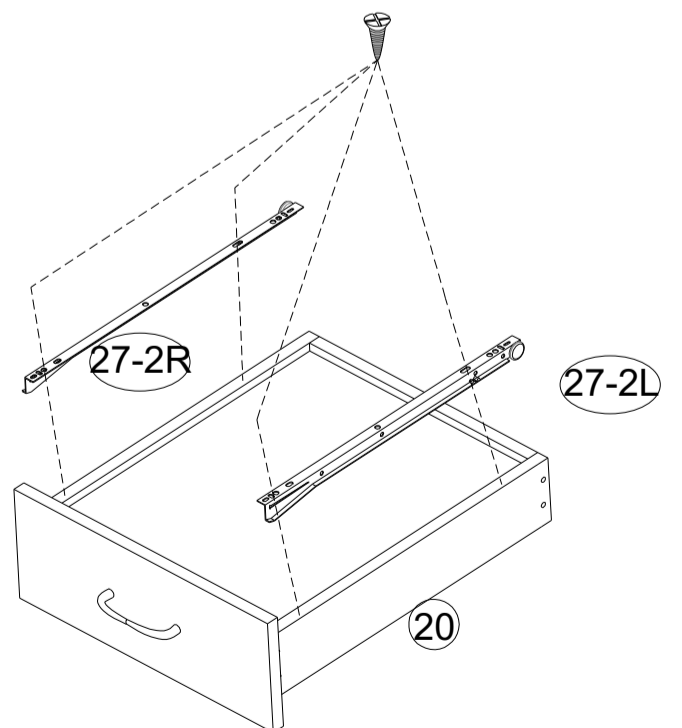


16

.SCREWS

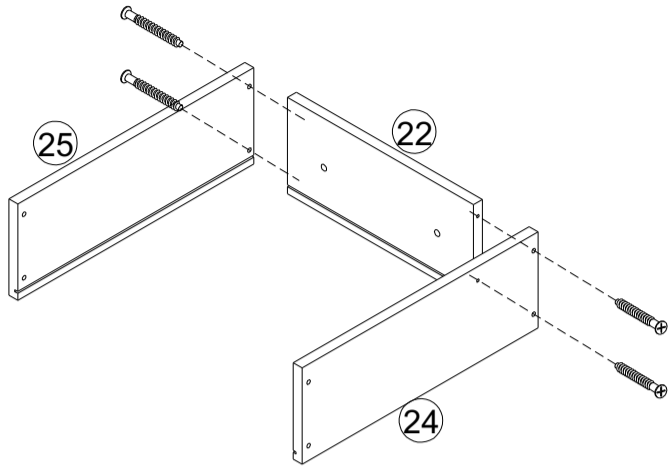
A M3.5X14

4 PCS

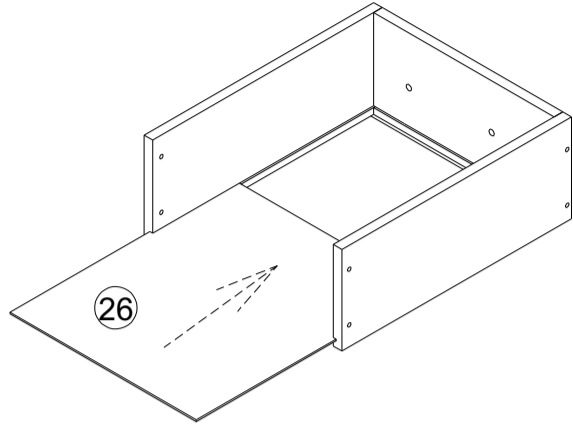


17

.SCREWS  
C M5X40  
4 PCS

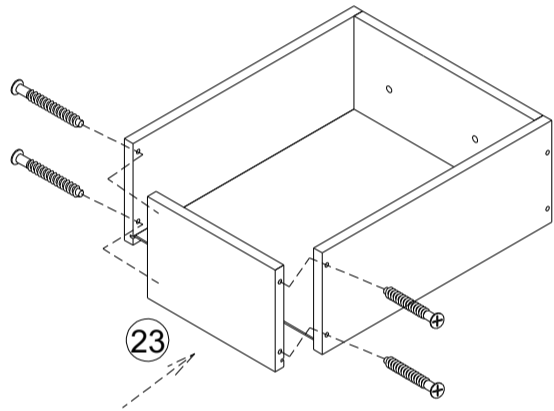


18



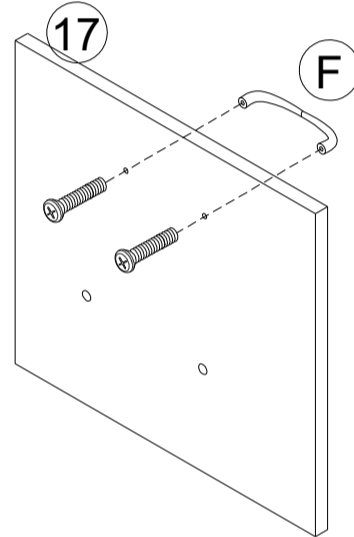
19

.SCREWS  
C M5X40  
4 PCS



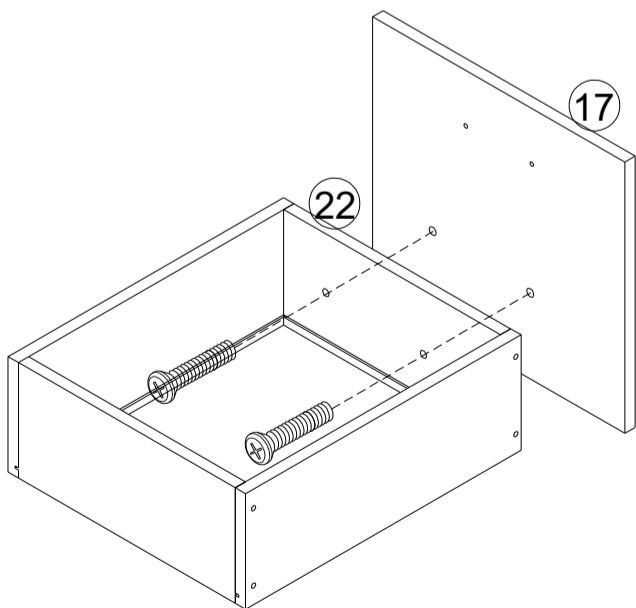
20

.SCREWS  
E M4X18  
2 PCS



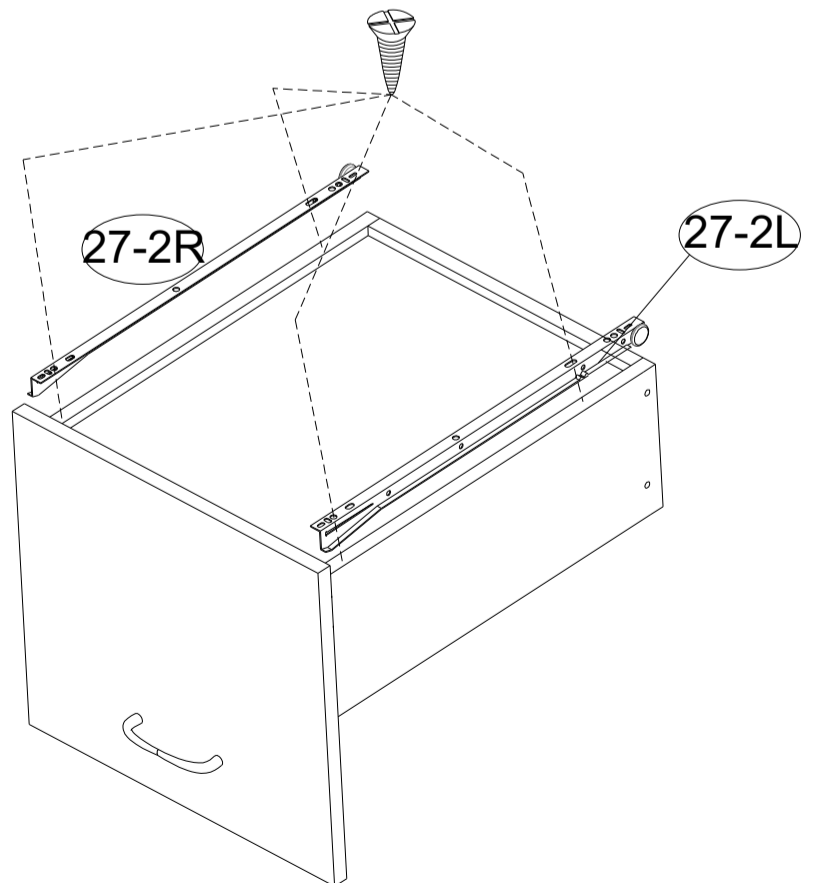
21

.SCREWS  
D M6X25  
2 PCS

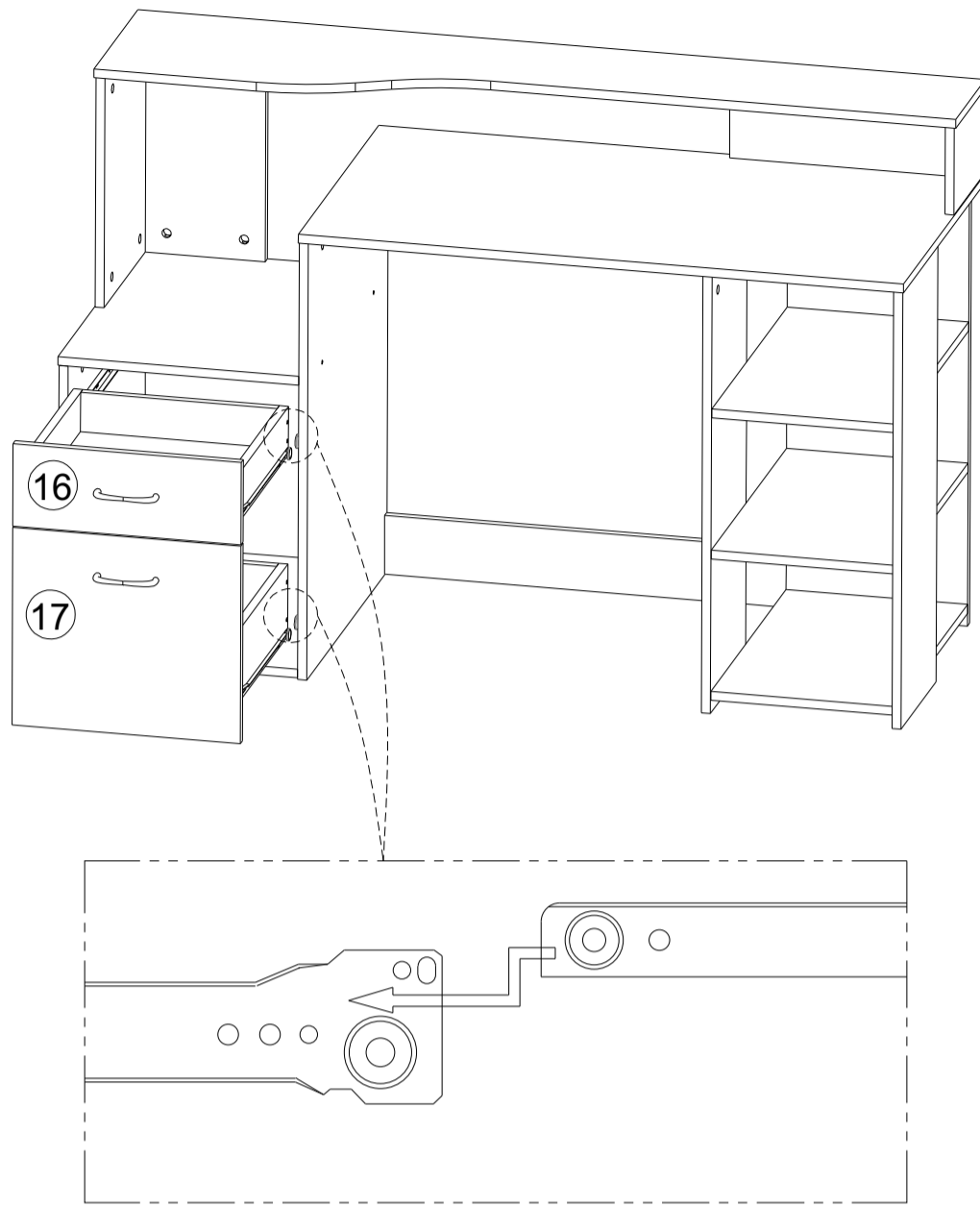


22

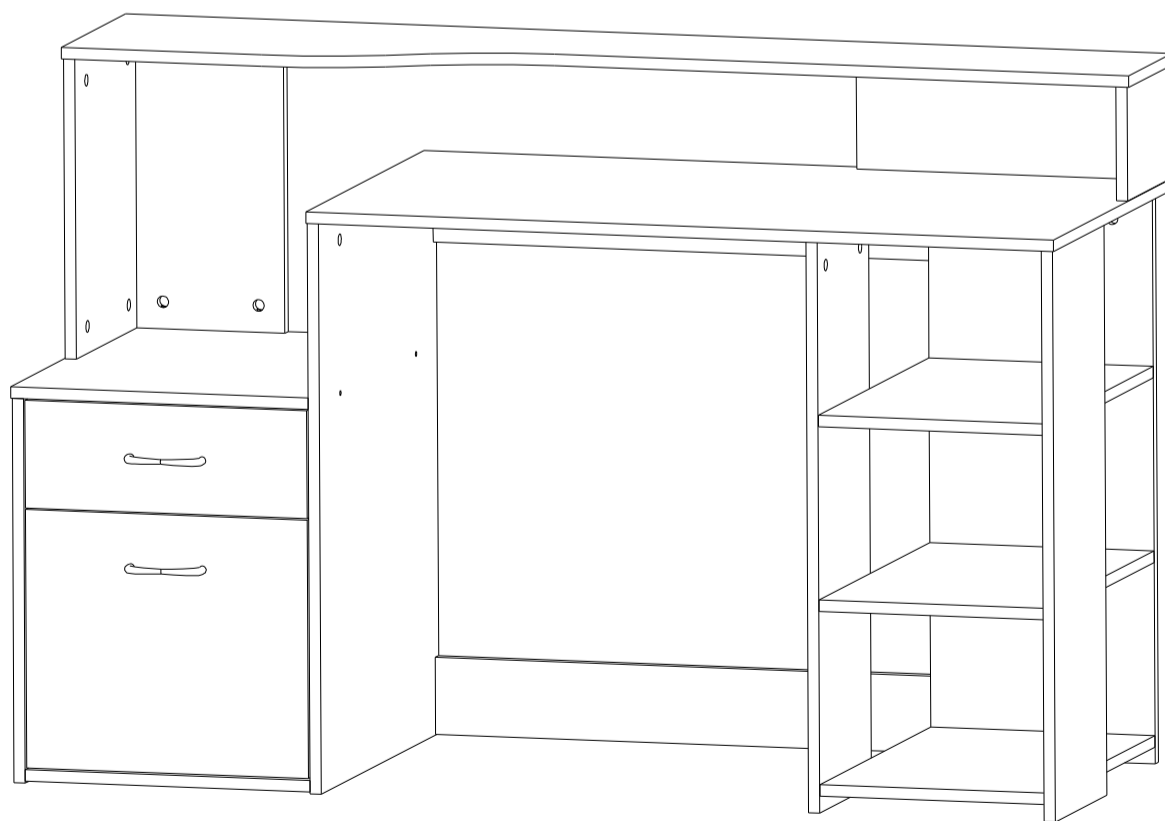
.SCREWS  
A M3.5X14  
4 PCS



23



24



US



001-877-644-9366  
customerservice@aosom.com

CA



001-855-537-6088  
customerservice@aosom.ca

UK



0044-800-240-4004  
enquiries@mhstar.co.uk

DE



0049-(0)40-88307530  
service@aosom.de

FR



0033-1-84166106  
contact@aosom.fr

ES



0034-931294512  
atencioncliente@aosom.es

IT



0039-0249471447  
clienti@aosom.it