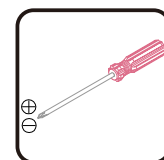
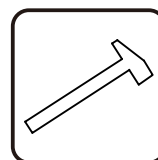
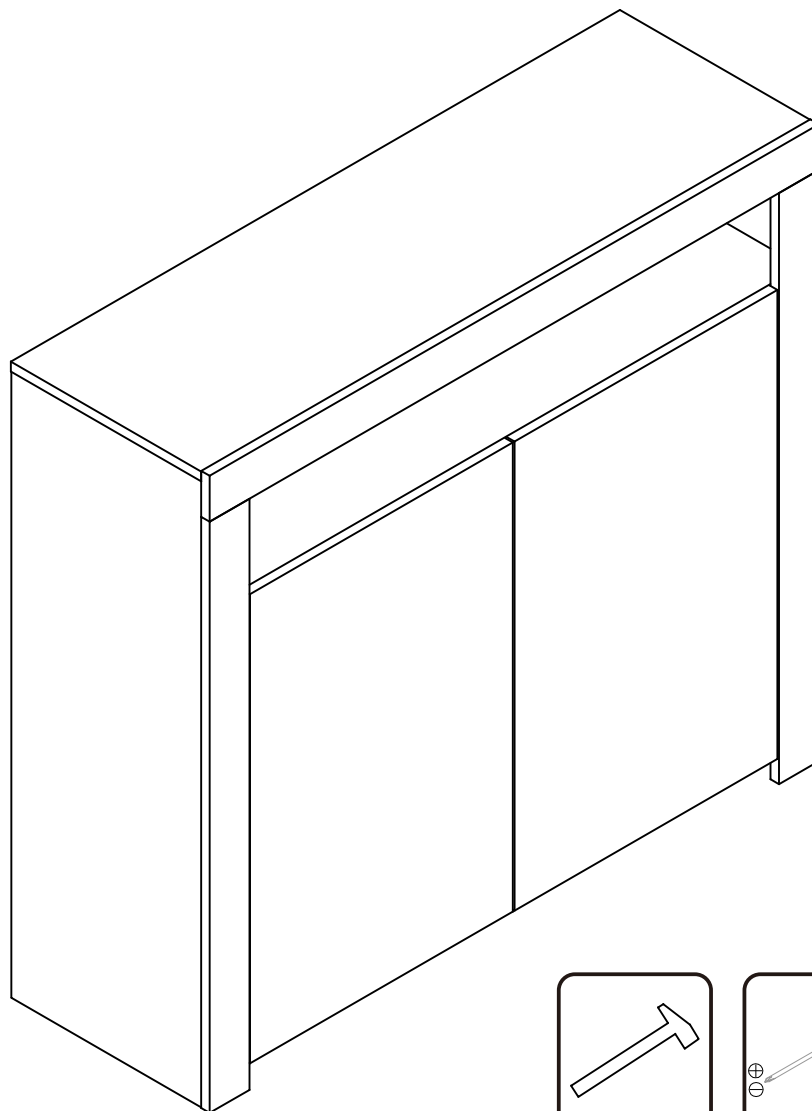




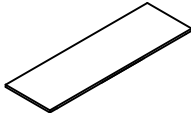
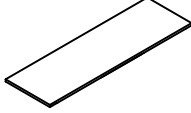
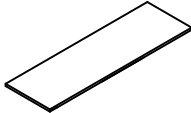
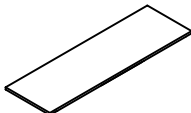
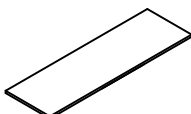
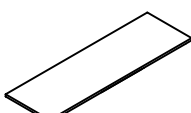
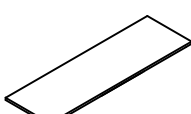
INcpa019V02_GL

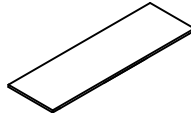
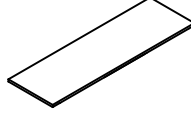
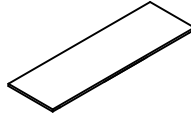
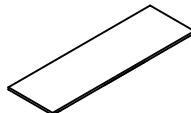
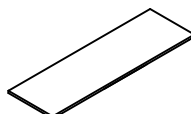
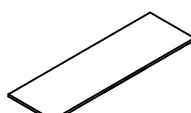
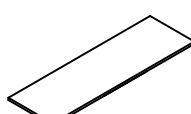
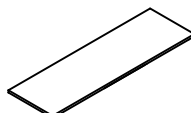

837-118V70_837-118V90



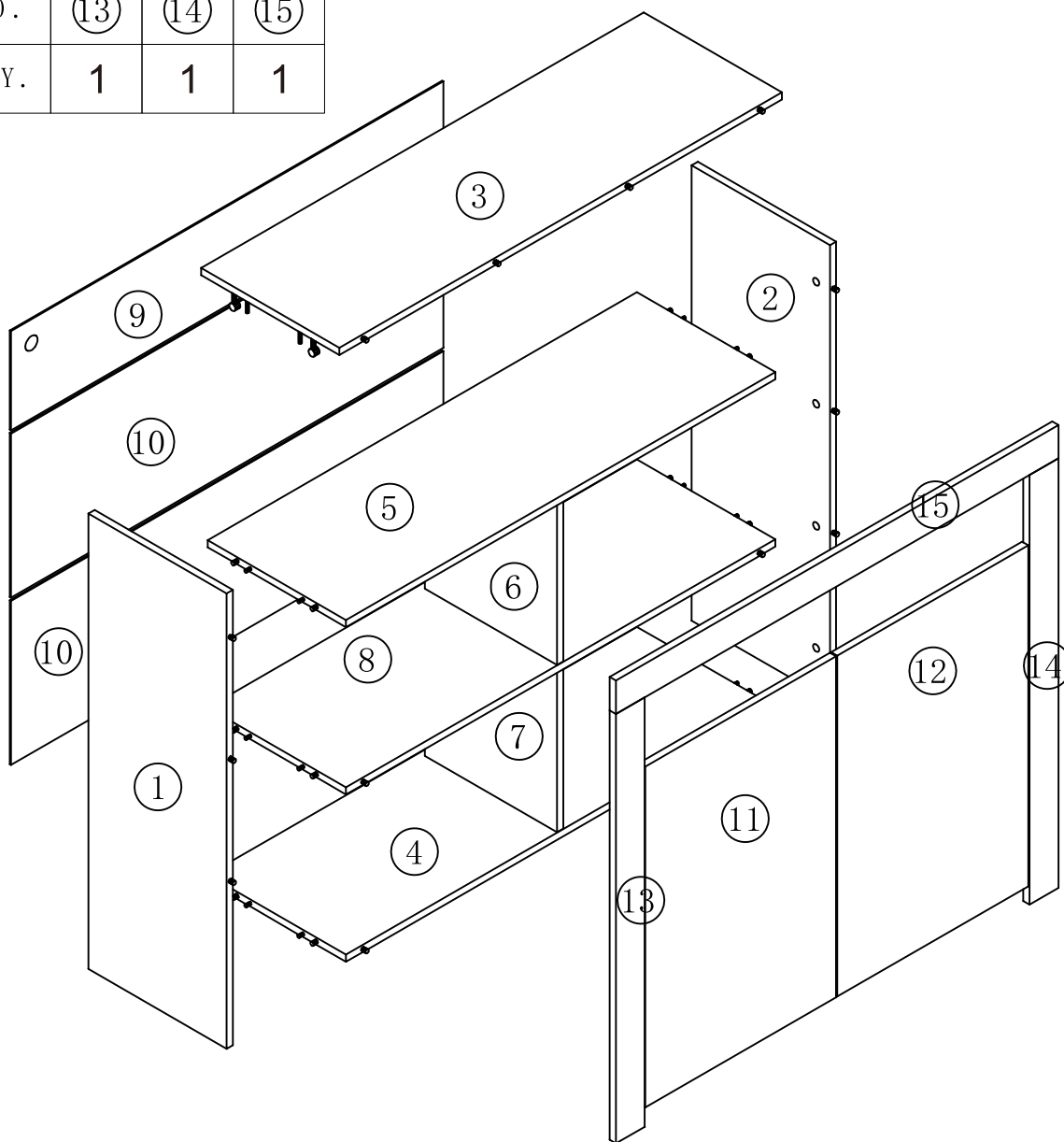
IMPORTANT, RETAIN FOR FUTURE REFERENCE: READ CAREFULLY

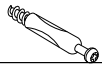
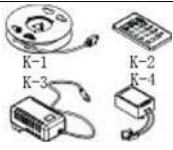

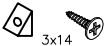

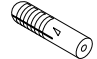

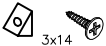

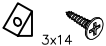

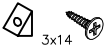

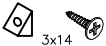
ASSEMBLY & INSTRUCTION MANUAL






BOX 1-2		15 x 1
		3 x 1
		4 x 1
		5 x 1
		8 x 1
		10 x 2
		9 x 1

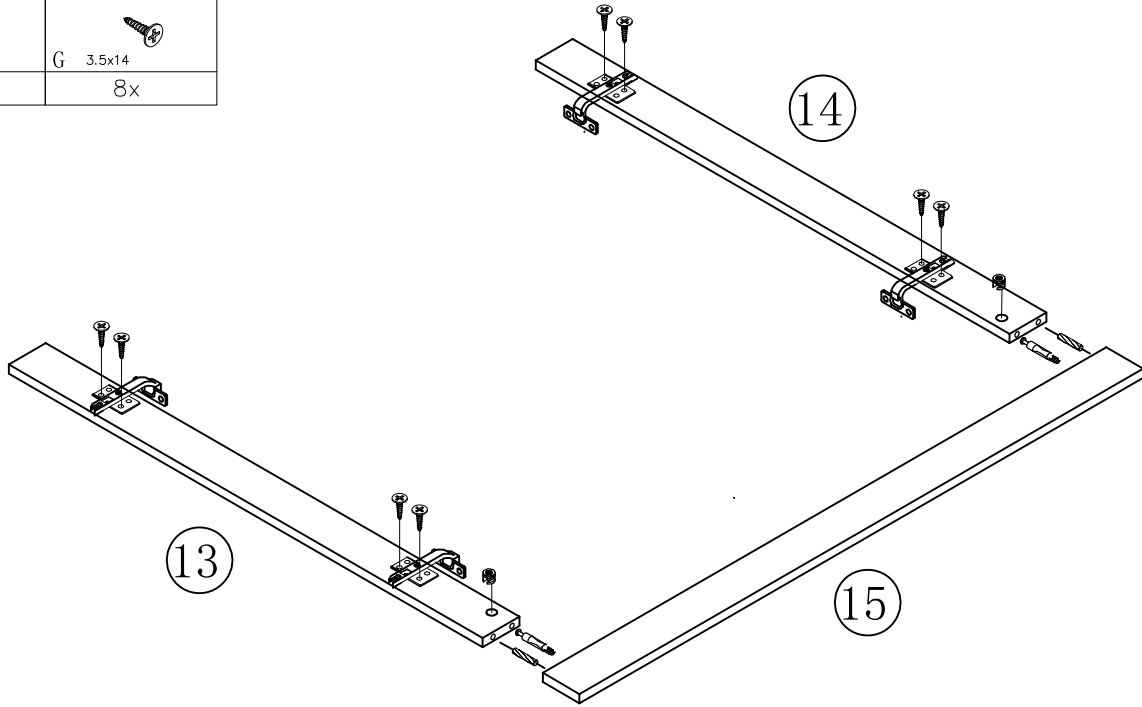
BOX 2-2		1 x 1
		2 x 1
		6 x 1
		7 x 1
		11 x 1
		12 x 1
		13 x 1
		14 x 1
		Hardware Kit



NO.	①	③	④	⑤	⑥	⑦	⑧	⑨	⑩	⑪	⑫
QTY.	1	1	1	1	1	1	1	1	2	1	1
NO.	⑬	⑭	⑮								
QTY.	1	1	1								

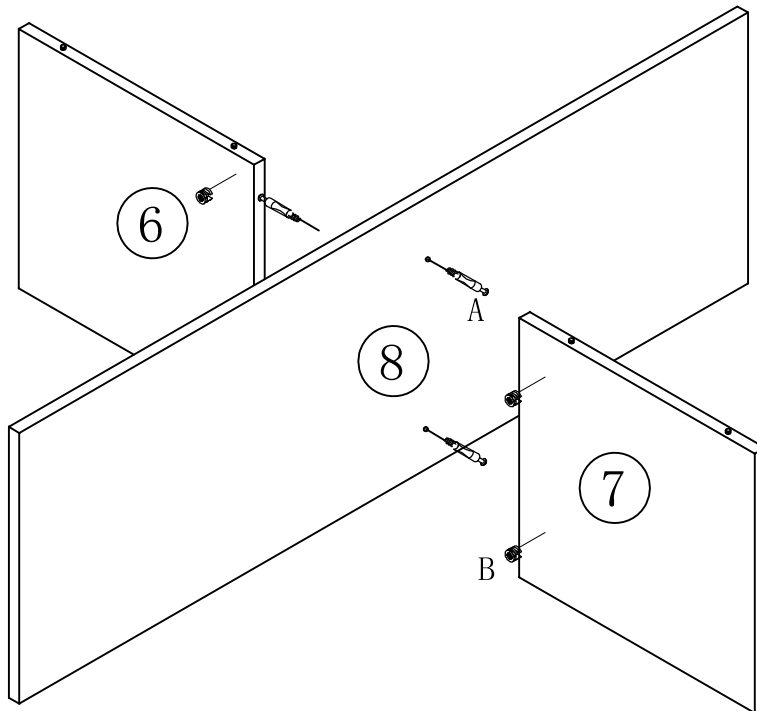




NO.	QTY.	LINEDRAWING	NO.	QTY.	LINEDRAWING
Ⓐ	42		Ⓚ	1	
Ⓑ	42		Ⓜ	20	
Ⓒ	18		Ⓛ	2	
Ⓓ	1		Ⓜ	20	
Ⓔ	4		Ⓜ	20	
Ⓕ	3		Ⓜ	20	
Ⓖ	30		Ⓜ	20	

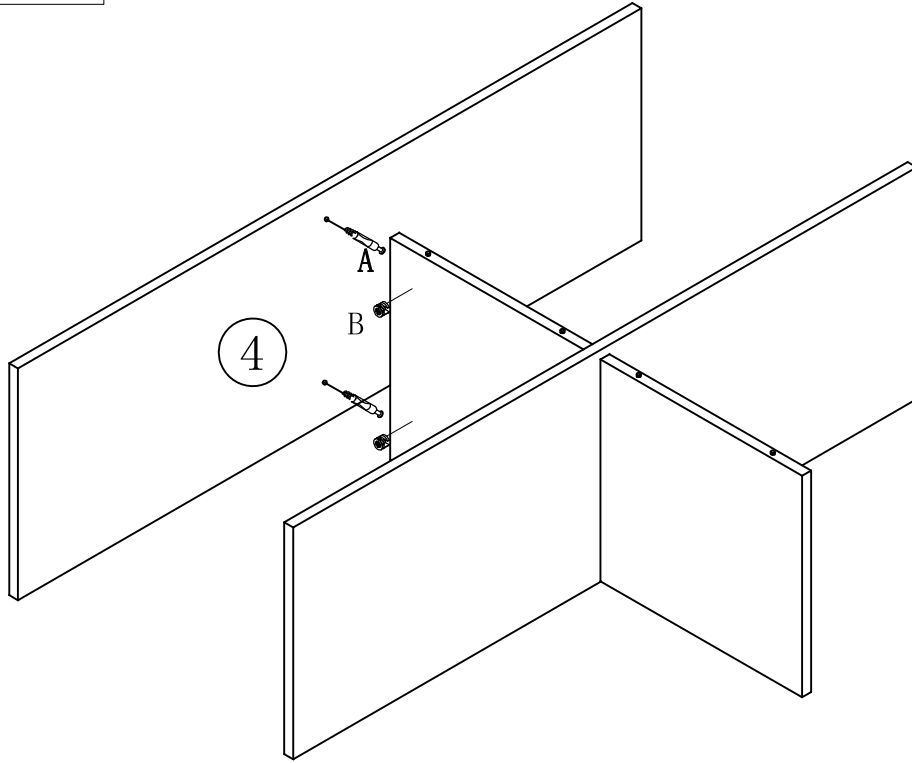
 A 2x	 B 2x	 C 2x
 E 4x	 G 3.5x14 8x	

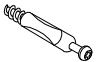



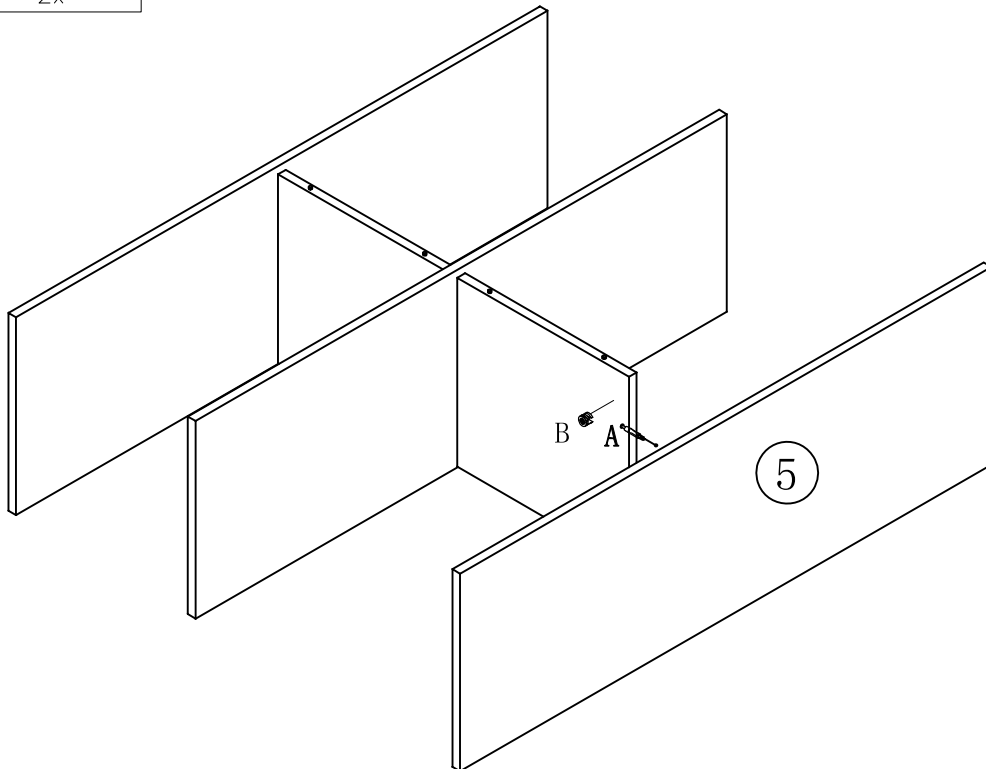
 A 4x	 B 4x
--	--



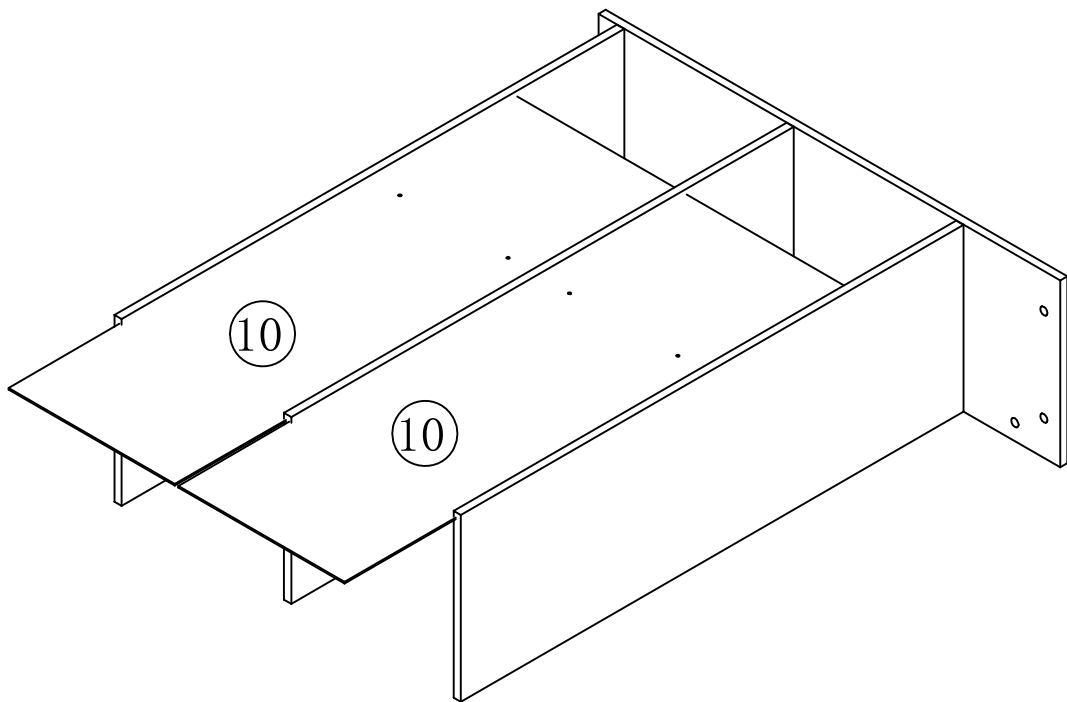
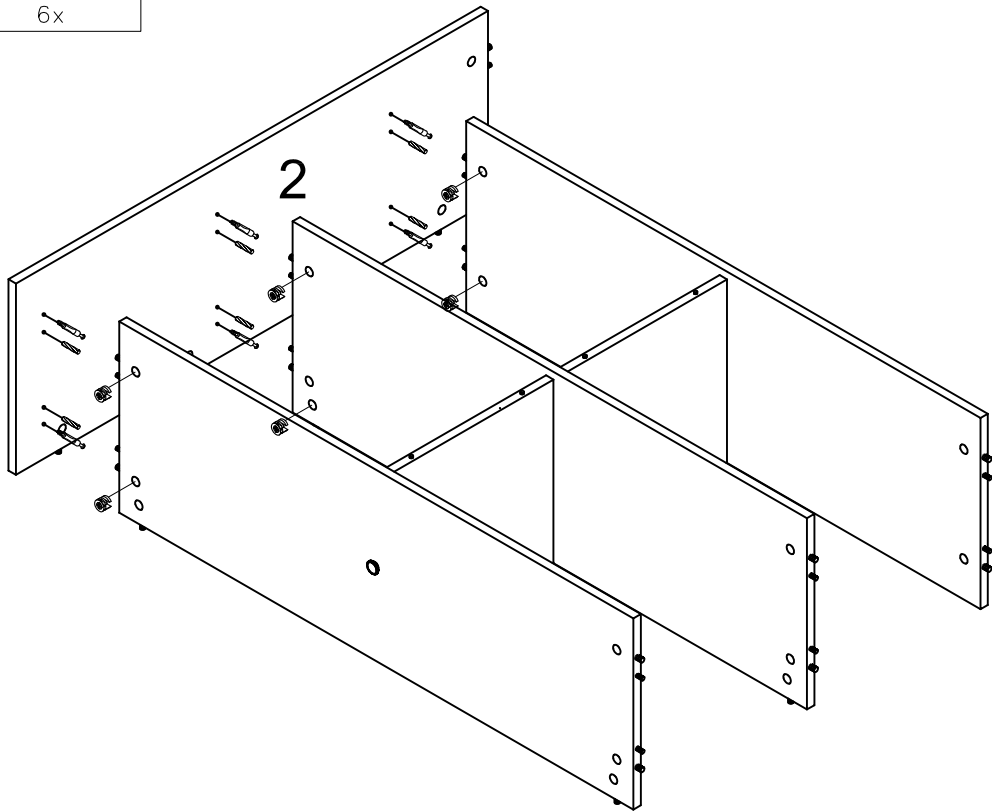
	
A	B
2x	2x






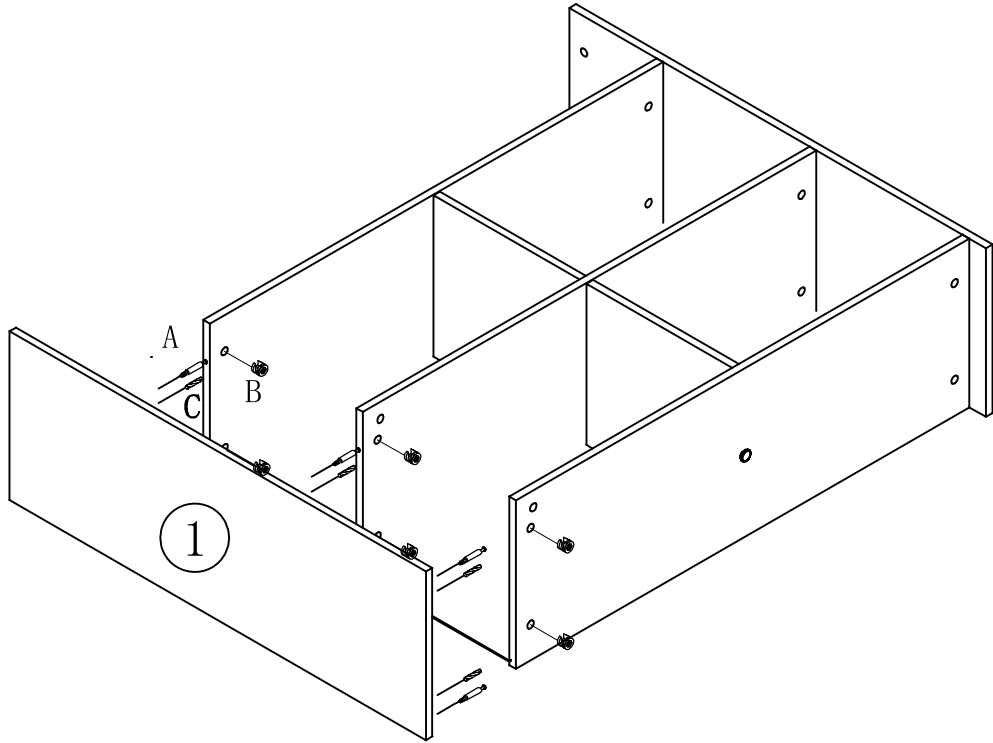
	
A	B
2x	2x







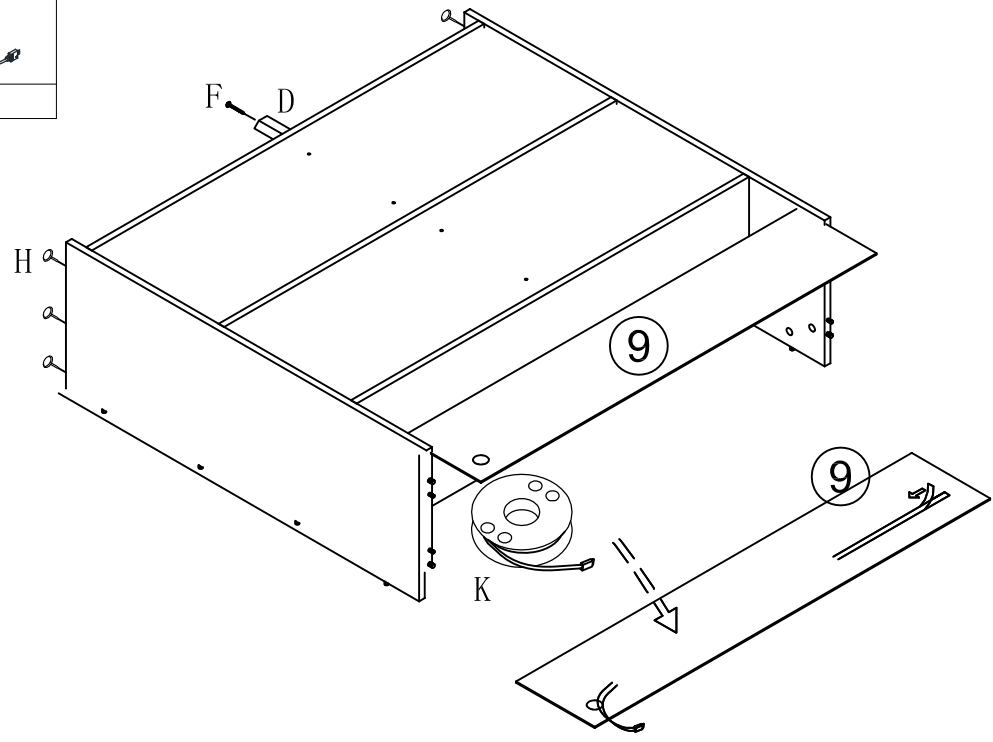
A 6x	B 6x
C 6x	








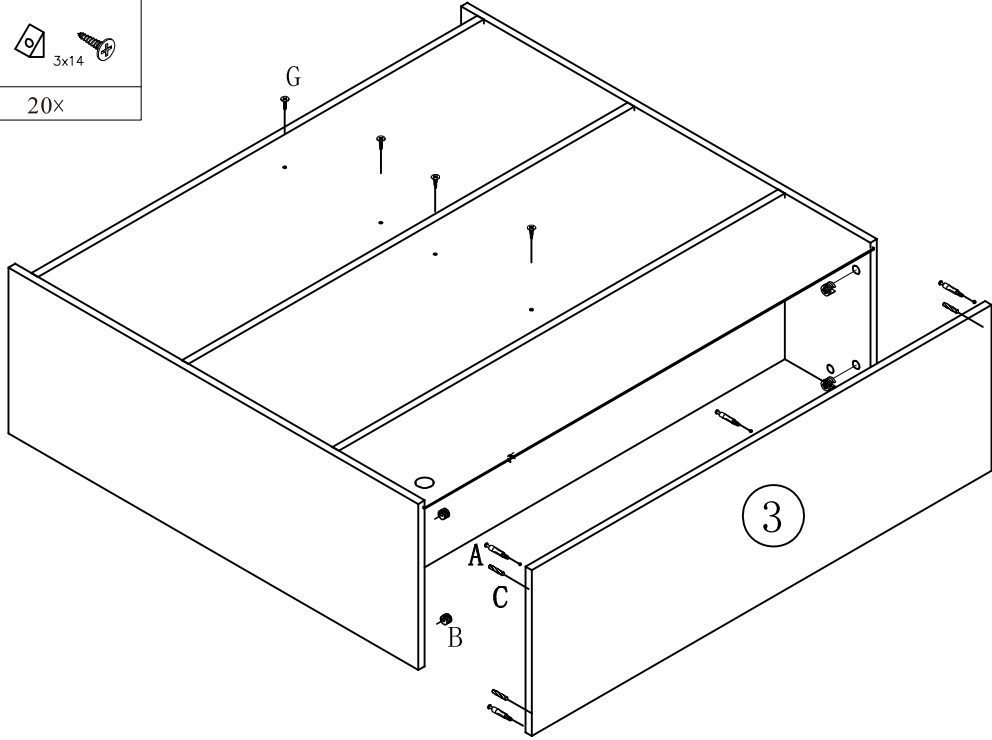
		
<p>A 6x</p>	<p>B 6x</p>	<p>C 6x</p>





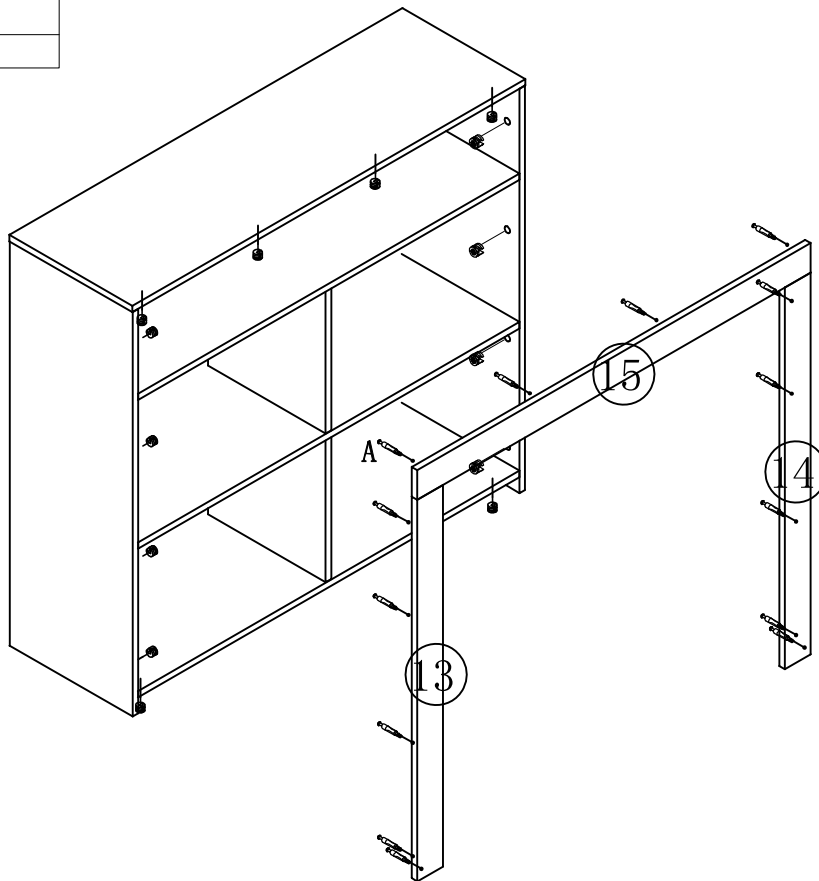
	
<p>D 1x</p>	<p>F 1x</p>
	
<p>H 6x</p>	<p>K 1x</p>

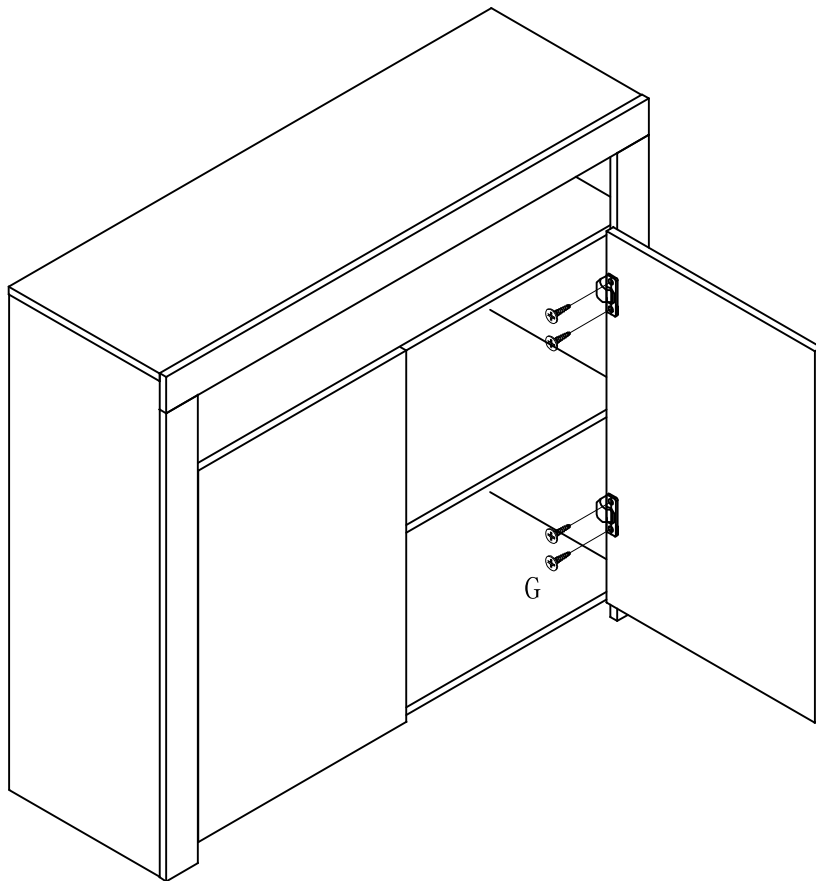
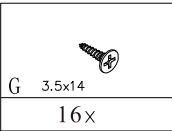
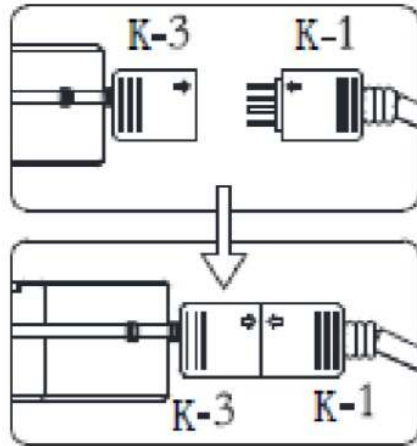
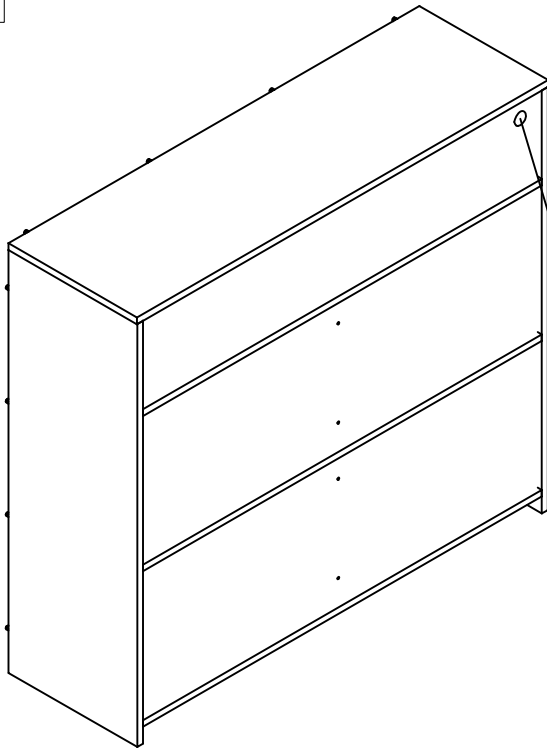
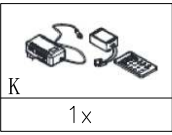


 A 6x	 B 6x	 C 4x
 G 3.5x14 4x	 M 3x14 20x	

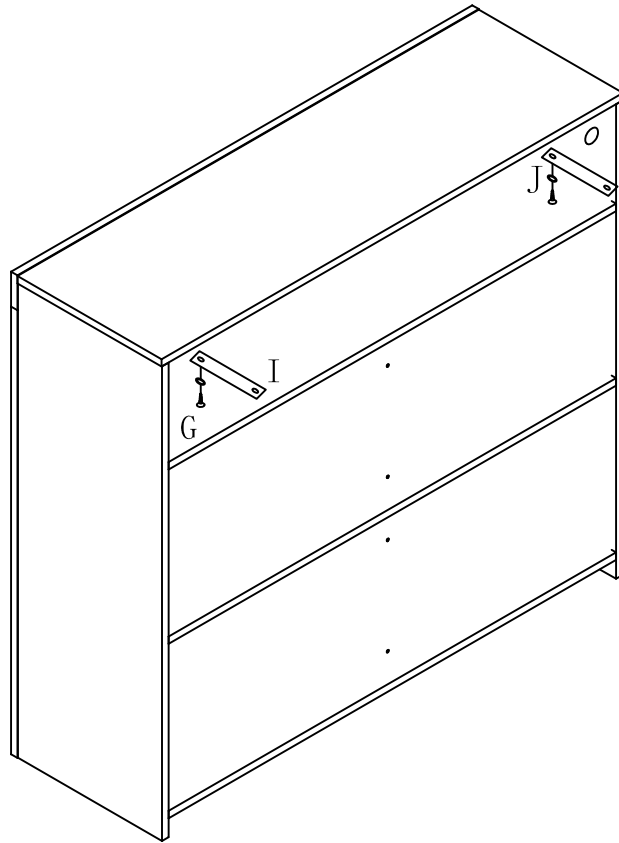


 A 14x	 B 14x
---	---

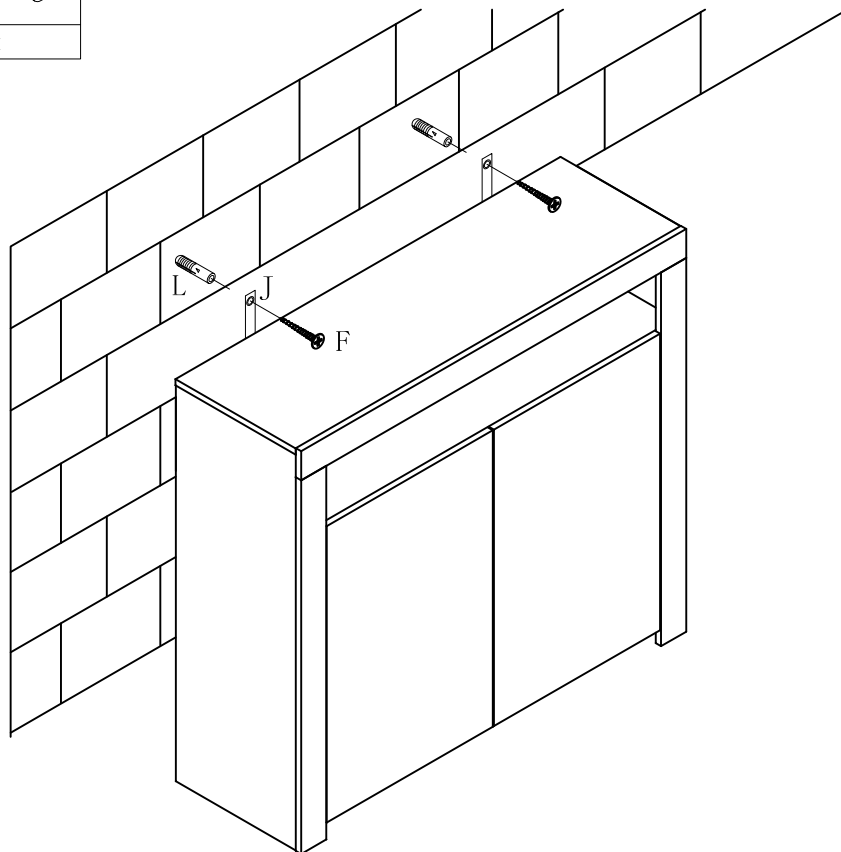




I 2x	J 2x
G 3.5x14 2x	



L 2x	F 3.5x35 2x
J 2x	



Model identifie		
Input voltage	100-240	V
Input AC frequency	50/60	Hz
Output voltage	12	V
Output current	2	A
Output power	24	W
Average active efficiency	/	%
Efficiency at low load (10 %)	/	%
No-load power consumption	/	W