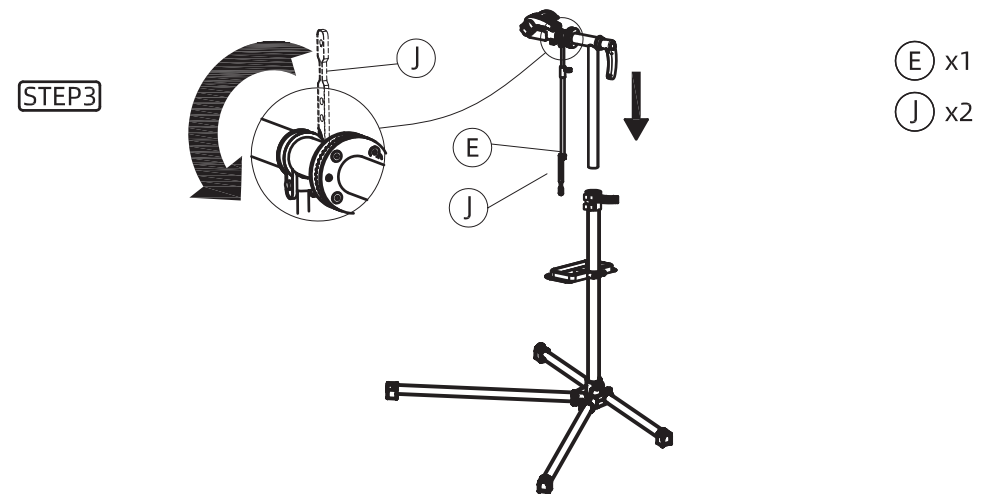
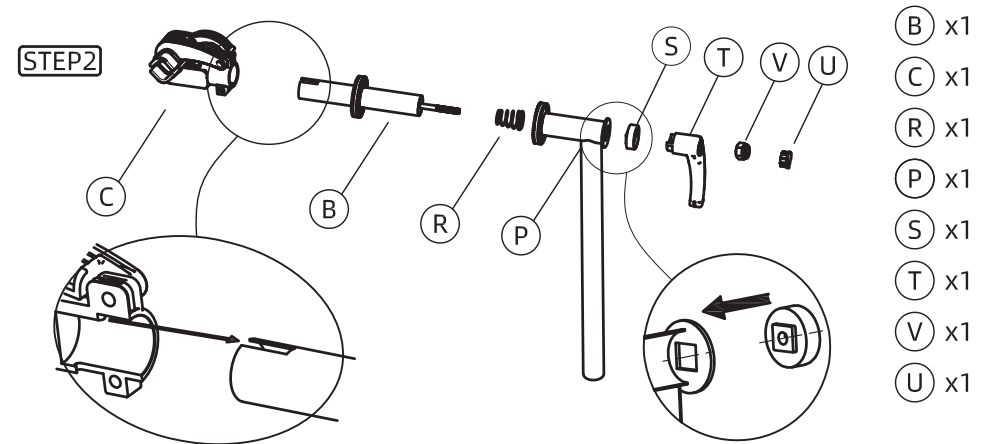
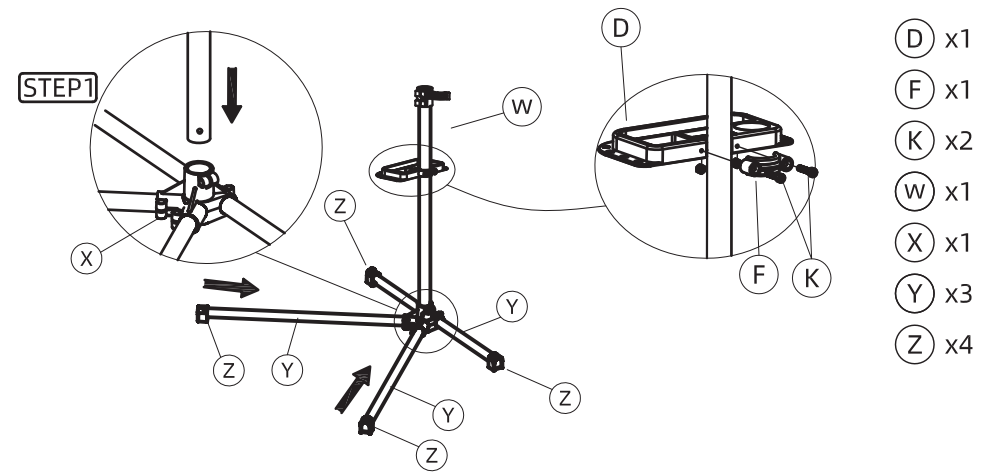


(D) X1 	(F) X1 	(U) X1
(B) X1 	(P) X1 	(S) X1
(C) X1 	(T) X1 	(W) X1
(R) X1 	(E) X1 	(V) X1
(J) X2 	(K) X2 	(V) X1 M8
(X) X1 	(Y) X3 	(Z) X4
X1 	X1 	

Weight capacity: 30kg



US



001-877-644-9366
customerservice@aosom.com

CA



001-855-537-6088
customerservice@aosom.ca

UK



0044-800-240-4004
enquiries@mhstar.co.uk

DE



0049-(0)40-88307530
service@aosom.de

FR



0033-1-84166106
contact@aosom.fr

ES



0034-931294512
atencioncliente@aosom.es

IT



0039-0249471447
clienti@aosom.it