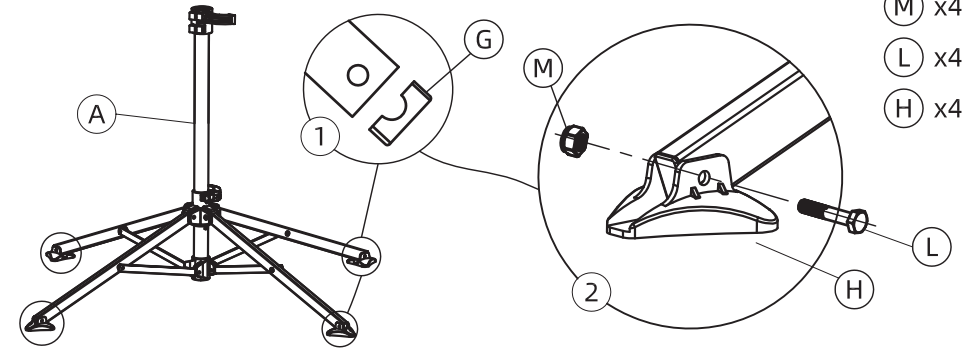


	<p>(A) X1</p> <p>(G) X4</p>	<p>(H) X4</p>
	<p>(D) X1</p>	<p>(F) X1</p>
<p>(B) X1</p>	<p>(P) X1</p>	<p>(S) X1</p>
<p>(C) X1</p>	<p>(T) X1</p>	<p>(R) X1</p>
<p>(E) X1</p>	<p>(J) X2</p>	<p>(K) X2</p>
<p>(L) X4</p>	<p>(M) X4</p> <p>M6</p>	<p>(U) X1</p>
<p>(V) X1</p> <p>M8</p>	<p>X1</p>	<p>X2</p>
<p>X1</p>		

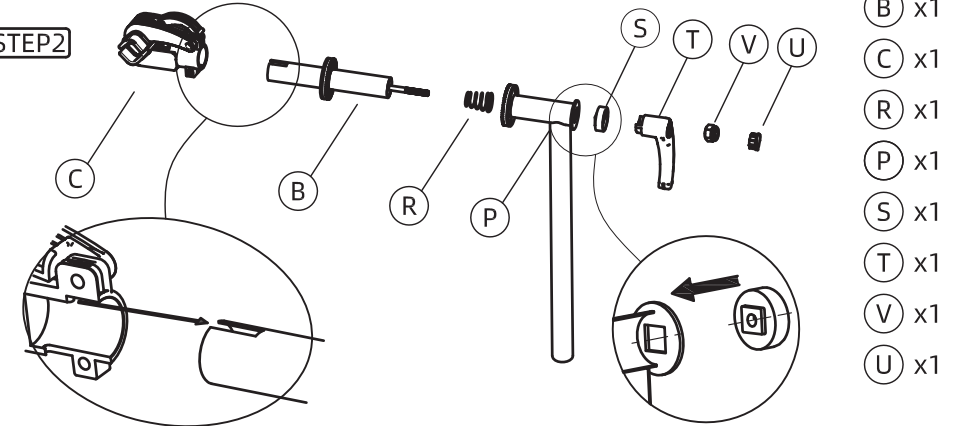
Weight capacity: 30kg

STEP1



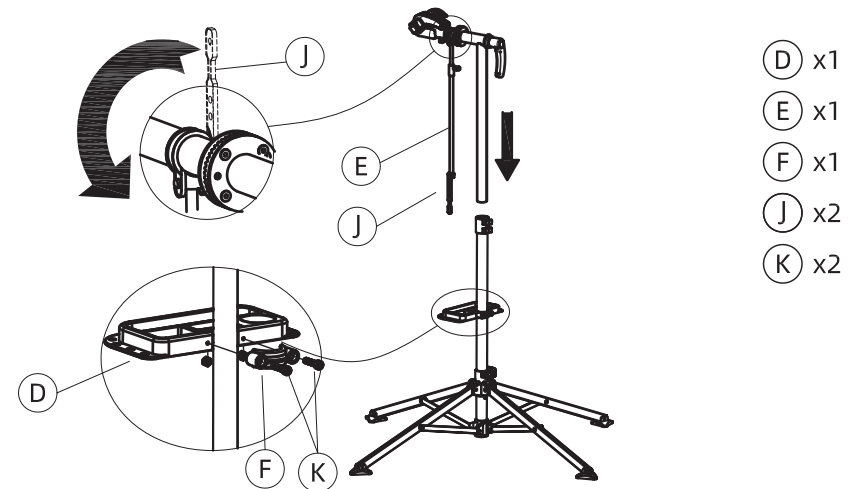
- (A) x1
- (G) x4
- (M) x4
- (L) x4
- (H) x4

STEP2



- (B) x1
- (C) x1
- (R) x1
- (P) x1
- (S) x1
- (T) x1
- (V) x1
- (U) x1

STEP3



- (D) x1
- (E) x1
- (F) x1
- (J) x2
- (K) x2

US



001-877-644-9366  
customerservice@aosom.com

CA



001-855-537-6088  
customerservice@aosom.ca

UK



0044-800-240-4004  
enquiries@mhstar.co.uk

DE



0049-(0)40-88307530  
service@aosom.de

FR



0033-1-84166106  
contact@aosom.fr

ES



0034-931294512  
atencioncliente@aosom.es

IT



0039-0249471447  
clienti@aosom.it