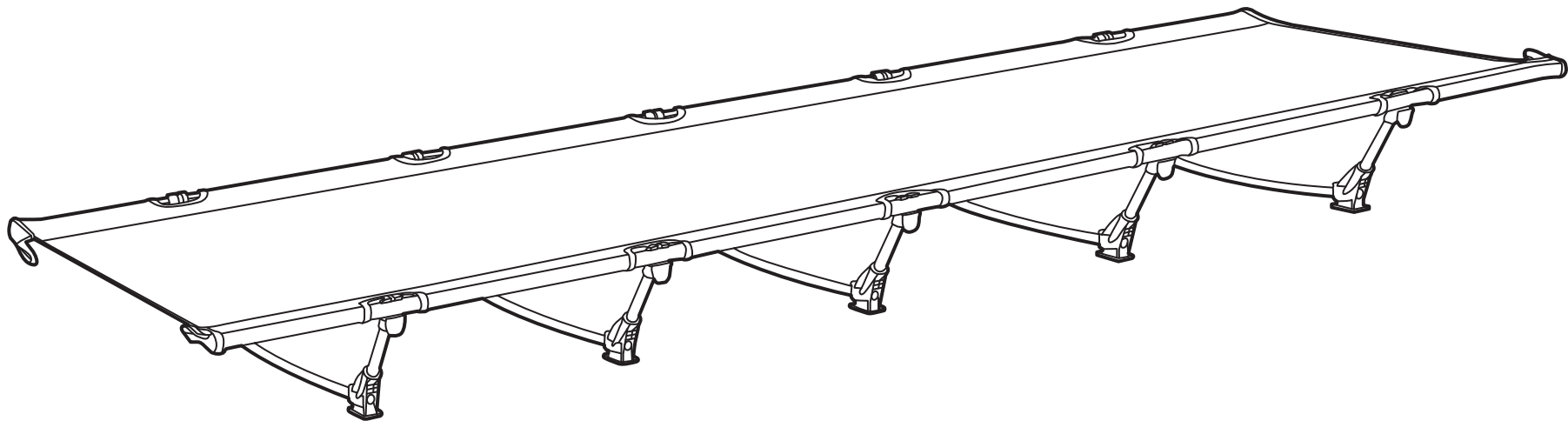




INafa038_UK

A20-212

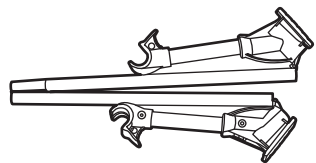
CAMPING COT



Max Capacity:150KG

IMPORTANT, RETAIN FOR FUTURE REFERENCE: READ CAREFULLY

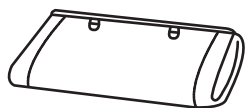
ASSEMBLY INSTRUCTION



5× base frame



2× side frame



1× fabric cot

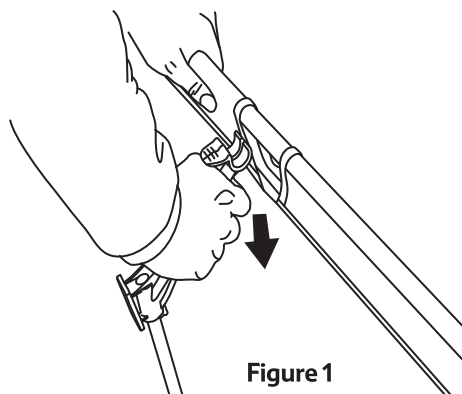
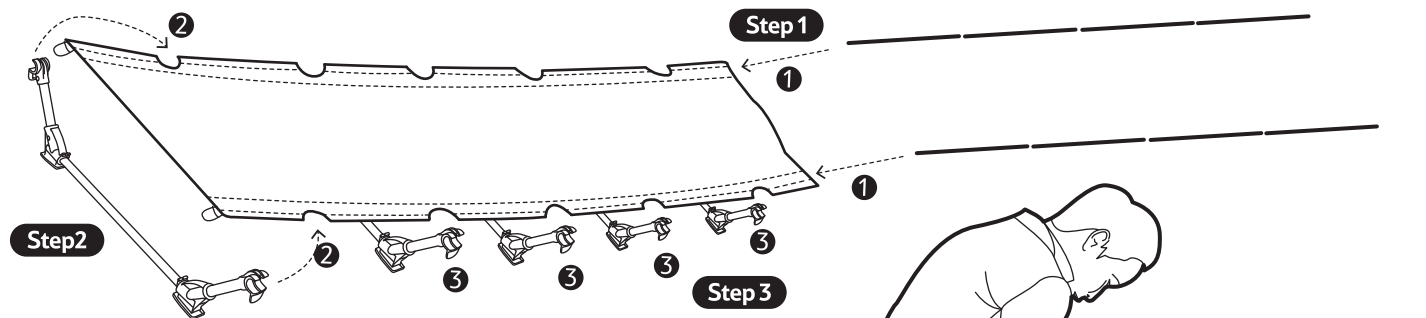


Figure 1

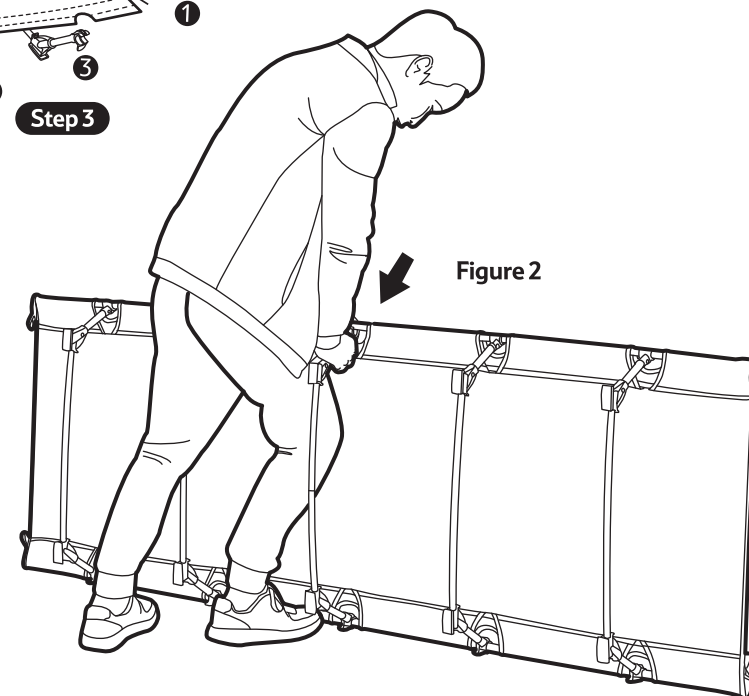


Figure 2

ASSEMBLY

1. Install the two aluminum round pipes, after assembly, into pipe liner of nylon cot, which will be better done by pulling the button loop.
2. Assemble the base frame, then connect it with the side frame on both sides of cot surface. Press to fix the base frame.
3. Install the remaining stands finally, then it can be used.

DISASSEMBLY

1. Grasp the fixed joints of base frame, apply pressure to remove them from the side frame successively.
2. Pull the side frame on both sides out of pipe liner of cot surface.
3. Fold all parts well, and pull them to the storage bag.

CAUTION

1. Ensure frame sections are securely inserted into hubs and sockets prior to use.
2. Ensure cot is on level and firm ground for stability.