

Comfort * Convenience * Environmental Protection

1. Brief Introduction

Before using our portable toilet, kindly take note of the following character, structure and components of this product for proper use.

(a) Character of Portable Toilet

- ❖ High density polyethylene construction
- ❖ Completely self contained
- ❖ No external connections required
- ❖ Secure clamps and latches
- ❖ All parts are easily replaced by end user
- ❖ 20 litre capacity/waste holding tank
- ❖ Easy to carry, easy to clean



< 1 >

Comfort * Convenience * Environmental Protection



Item No : OC08

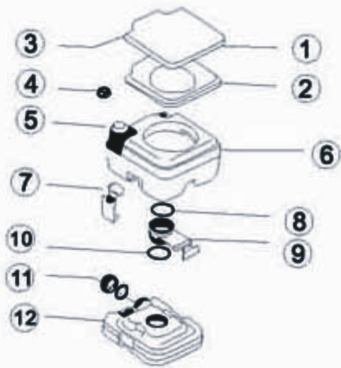
PRODUCT INSTRUCTIONS

Contents

1. Brief Introduction
2. Use and Operation
3. Caution and Safety
4. Maintenance
5. Storage

Comfort * Convenience * Environmental Protection

(c) Components Sketch Map of Portable Toilet



NO.	DESCRIPTION
1	seat cover
2	seat
3	hinge pin
4	bellows pump assembly
5	cap, fresh water holding tank
6	fresh water holding tank assembly
7	latch assembly
8	sealed circle C
9	slide valve assembly
10	sealed circle D
11	cap, waste holding tank
12	waste holding tank

< 3 >

Comfort * Convenience * Environmental Protection

4. Maintenance

- Lubricate slide valve periodically with lubricant
- The slide valve maybe removed for cleaning or inspection by simply unscrewing counter clockwise
- Clean exterior of toilet with a mild, non-abrasive bathroom cleaner
- Check the accessories periodically.

< 8 >

Comfort * Convenience * Environmental Protection

(b) Emptying Waste Holding Tank

- ❖ The waste holding tank has a 10 litre capacity, it should be emptied when contents reach approximately 2cm below the slide valve
- ❖ Make sure that the slide is pushed in completely before separating the waste holding tank and then release the latches on both sides, hold fresh water holding tank with both hands and move it from above of the waste holding tank. Do not disassemble the slide valve. (figure 8)
- ❖ Carry waste holding tank to permanent toilet facility
- ❖ When removing the cap, make sure that the waste holding tank is in a vertical position (figure 9)
- ❖ Atmospheric pressure and temperature changes may cause pressure build up in lower holding tank. Caution should be taken when first opening the slide valve or opening waste holding tank cap (before opening waste holding tank for emptying, it is better for you to place waste holding tank in horizontal position, open slide valve and then close it for releasing internal pressure)
- ❖ To avoid splashing, slowly pour contents into permanent toilet facility
- ❖ Add fresh water, replace cap and rinse tank
- ❖ Remove cap and pour rinse water into permanent toilet facility

< 5 >

Comfort * Convenience * Environmental Protection



figure 8

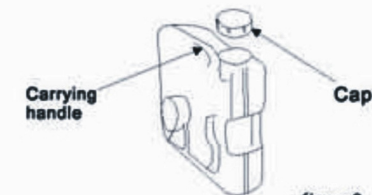


figure 9

(c) Assembling of Portable Toilet

- ❖ Place waste holding tank in horizontal position and make sure that the sealed circle is in its proper position, hold fresh water holding tank with both hands, unfold latches outward and place the fresh water limber hole to the centre of waste holding tank's slide valve, making sure of a good seal.
- ❖ First lock the latches on the groove of waste holding tank and then hitch the holding tank body, push inward to lock position.
- ❖ Open the cap of fresh water holding tank and add fresh water to the below of fresh water tank mouth and then tighten cap up

< 6 >

Comfort * Convenience * Environmental Protection

5. Storage

This product can be used in any season including winter. If you need to store our portable at any time:

- (a) Empty the top tank and water holding tank
- (b) Make sure all water is drained from the bellows pump by depressing the pump several times after no water enters the bowl
- (c) Store in shady environment, avoid storing in direct sunlight and high temperatures

Please note, a small amount of water may remain in the top tank but will be harmless during storage.

<9>

Comfort * Convenience * Environmental Protection

(b) Structure of Portable Toilet

- ❖ Adult sized seat and lid are sturdy, thick wall construction, strong enough to stand on (figure 2)
- ❖ Always flushes with clean water, no water is recirculated
Completely self-contained, no external water or power connections required
- ❖ Fresh water capacity provides up to 50 flushes
- ❖ Attractive matte finish conceals scratches, clean by scrubbing without damage
- ❖ Double sealed drain valve protects against leakage and odors (figure 3)
- ❖ Heavy duty, corrosion resistant side latches lock tanks together (figure 4)
- ❖ 10 litre detachable waste holding tank is easy to empty
- ❖ Both tanks are one piece construction, no seams (figure 5)
- ❖ Empty waste easily, no tools required (figure 6)

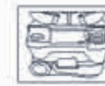


Figure 2



Figure 3



Figure 4



Figure 5



Figure 6

<2>

Comfort * Convenience * Environmental Protection

3. Caution and Safety

- (a) Always handle with care
- (b) Avoid direct sunlight
- (c) Avoid high temperatures
- (d) Make sure enough water is placed in fresh water holding tank before use
- (e) Do not lean on back cover with body when in use to avoid being hurt
- (f) Do not lacerate the body of the toilet with sharp object
- (g) Clean the waste holding tank regularly, the waste holding tank must be cleaned when no fresh water can be pressed out from fresh water holding tank
- (h) Any brand tank deodorant can be used.

<7>

Comfort * Convenience * Environmental Protection

2. Use and Operation

The specific use and operation of the "CHH E Z POT" will have some difference according to the application and preference of each user. If any questions, please contact the customer service department at the place of purchase. We recommend the following usage procedure, as the most effective procedure.

(a) Operation

- ❖ Open the fresh water holding tank, fill the tank with fresh water just below the neck mouth and then tighten the cap up
- ❖ Pull out slide valve before use
- ❖ Depress bellows pump one or more times to rinse bowl after brush if necessary (figure 7)
- ❖ Close slide valve by pushing fully for next use



figure 7

<4>