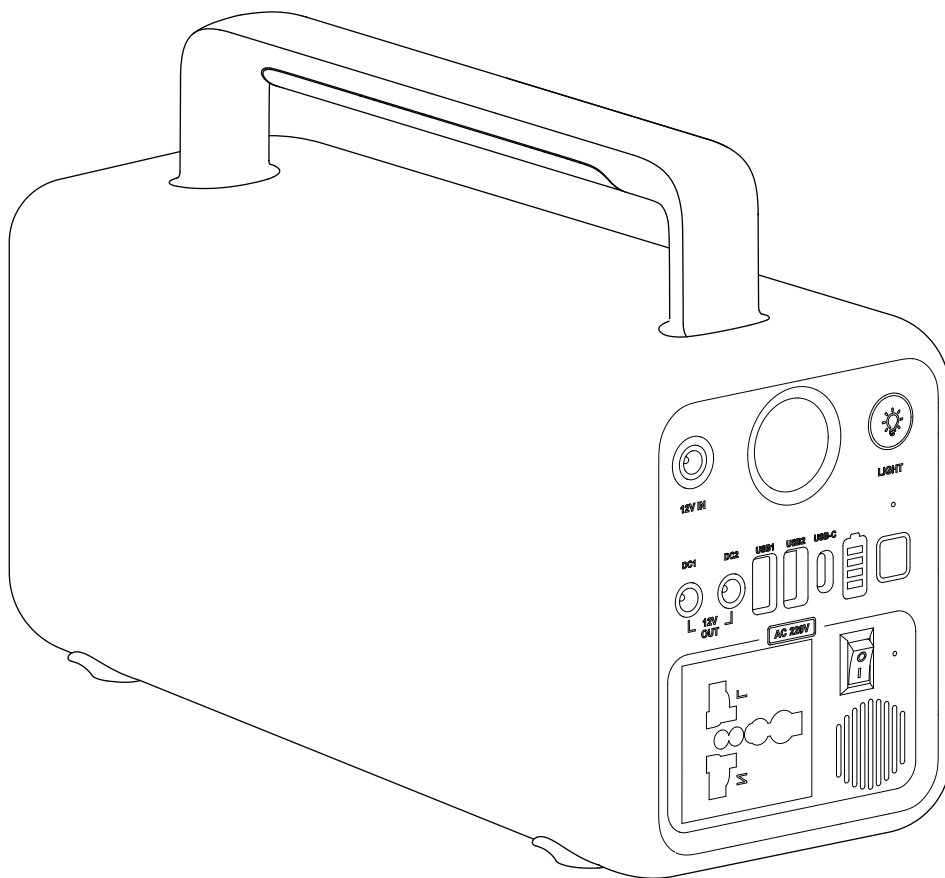




INafc035\_UK

**84F-003V70**



To ensure a better operating experience for your mobile phone or electronic product, please refer to the manual of your mobile phone or electronic product while reading this manual. The first charge is vital to the battery performance of the **84F-003V70**. Please connect the **84F-003V70** to the power socket and charge until it is fully charged for the first charging.

- Please read the manual carefully before using the product
- Please keep the manual properly for future reference
- Please fully understand the contents of the manual to use the product correctly

**IMPORTANT, RETAIN FOR FUTURE REFERENCE: READ CAREFULLY**

**USING INSTRUCTION**

## • 1、Cautions



To protect you and others from harm and the product from damage, please read the manual carefully before using the product

### 1.About storage

- Do not expose the product to an extreme cold or hot environment (below 0°C or above 40°C) for storage;
- Do not place the product near the vent of a heating device;
- Please avoid putting the product in a rainy or wet environment;
- Please keep it away from flammable liquids, gases or explosive materials;
- Please keep it away from dust or a dusty environment;
- Do not store the product with coins, jewelry, keys and other metal objects; otherwise, it will damage the product, reduce the charging capacity, shorten the service life, or even explode. The product should be stored in a cool and dry environment.

### 2.About Charger

- Do not use a defective charger or a charger of mismatched output voltage;
- Please use the original charger, as incompatible or unqualified chargers may cause danger or damage the product;
- Do not use chargers without safety certification to charge the product.

### 3.About storage of leaving unused

- Please make sure to charge it at least once every 6 months to extend the life of the product (battery cells). When taking out the product after long-term storage, please fully charge it before use. When the product charger is not in use, the power must be disconnected at both ends.

### 4.About disposal of defective\old battery and charger

- Please dispose of scrapped products in accordance with regulations, and do not dispose the built-in batteries as domestic garbage to avoid explosion and pollution.

5.Do not squeeze or pierce the product, and do not subject the product to high external pressure, otherwise it may cause internal short-circuit, overheating, burning or explosion.

6.Do not place this product in the reach of people with low physiology, perception, and mentality (including children)and people without experience and related knowledge. Avoid the above people from using this product to avoid misuse.

**7.**The product cannot be used as a substitute for the mains AC power supply in order to extend the cycle life of the battery cells.

**8.**Do not paint or paste paper on this product. Paint and stickers may block the equipment parts and affect normal use.

**9.**About the environment temperature for charging.

- Do not store the product in hot or cold places, please use the product in an environment of 15~35°C;
- The temperature inside a closed car in summer can be as high as 80°C (putting the product in a car may put you or your car in danger.)
- Do not expose the product to direct sunlight for a long time. When the product heat dissipation is not started, and the temperature of the battery cells rises sharply. When charging the product, the operating temperature should be between 15°C and 35°C;
- Do not store the product near or inside water heaters, microwave ovens, hot cooking products, or high and low pressure parts. The product may overheat and cause fire.

**10.**About product cleaning

- Use a dry towel or eraser to wipe the product or charger.
- Do not use corrosive chemicals or cleaner.

**11.**Please do not disassemble, repair or modify the product, otherwise warranty will be invalid.

## • 2、Operation Cautions



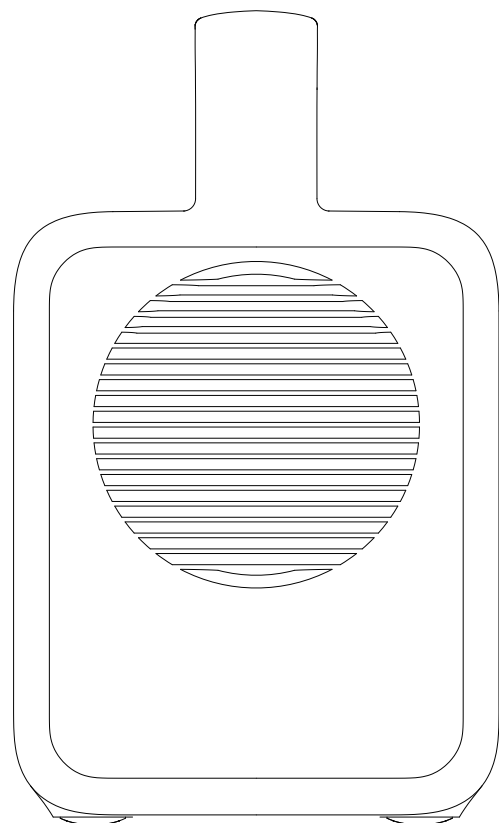
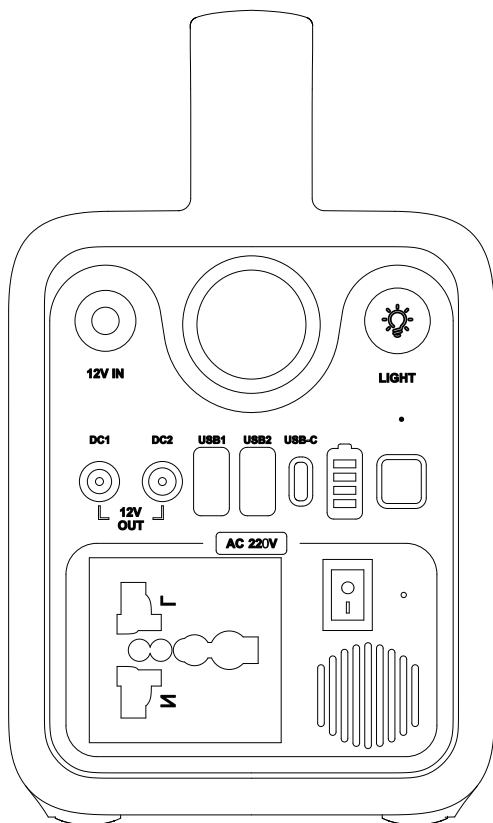
1. When using this product for the first time, due to low-power transportation, the actual power level may not match with the power indicator, please charge and discharge the product for 2-3 recycles and it will be back to normal.
2. When using this product, please do not cover it with towels, clothing, etc., and make sure to keep more than 10cm of heat dissipation space around the product.
3. Please keep the product and electrical products dry to prevent moisture and liquid from entering the product, otherwise it may damage the internal parts or circuits of the device.
  - Do not turn on the product when it is wet, if the product is already turned on, please turn it off immediately.(If the product cannot be shut down, let it be and contact the after-sales service center immediately.)
4. Do not use the product in an environment where dust or dusty substances are concentrated, which may cause product failure, fire or explosion.
5. Do not use the product in flammable and explosive environments such as gasoline, gas, chemical agents, mines, etc., otherwise it may endanger safety Always operate in accordance with regulations, instructions and signs in potentially explosive environments.
6. Do not use the product in a corrosive environment, otherwise it will cause damage to the product.
7. Do not use the product during thunderstorms. The product may malfunction and increase the risk of lightning strikes.
8. Please place the product on a flat surface to prevent the product from falling, otherwise it may damage the product or cause parts failure.
9. About recharging the product
  - Please use Yoobao original charger to charge the product.
  - Do not exceed the charging time of this product. Please unplug the charger when fully charged. It is recommended to charge during the day or when someone is present for easy inspection.
  - Due to energy conversion during charging, this product may heat up. This is a normal phenomenon. Please be careful when handling.
10. About the discharge of the product
  - After discharging the product, when the remaining power is the last one or the indicator flashes, stop using it immediately and fully charge it before using it, which can extend the battery life.

### • 3、Package contents



The contents will be different according to the needs of different regions. Please contact with Yoobao service center if you have any question.

NO	Packaging List	Type
1	84F-003V70	Standard
2	Manual	Standard



## • 4、Product Introduction



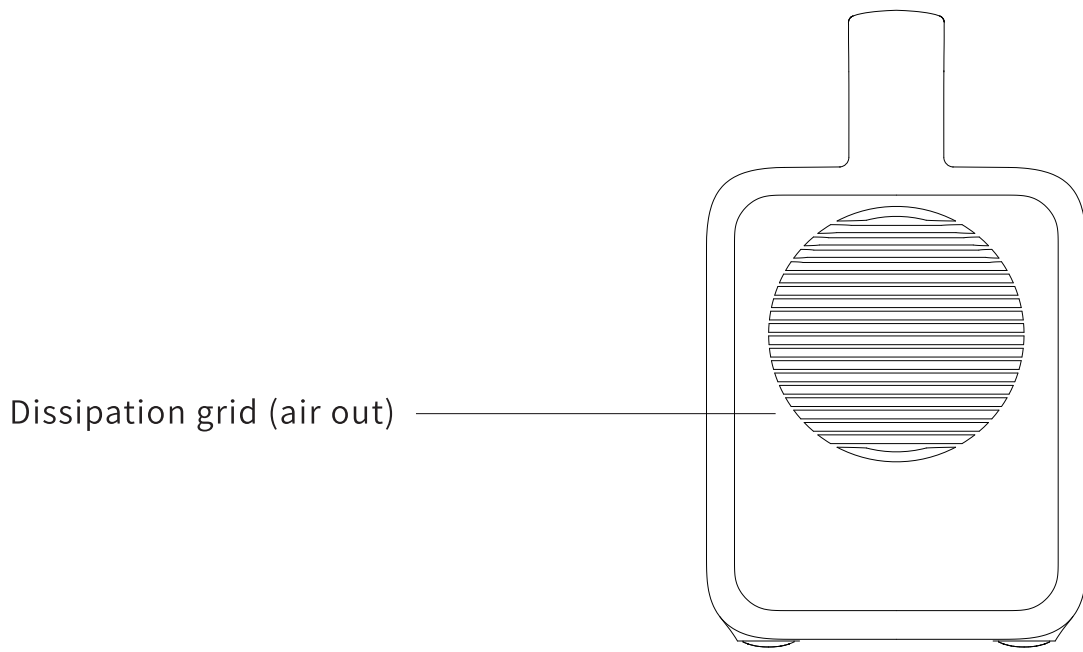
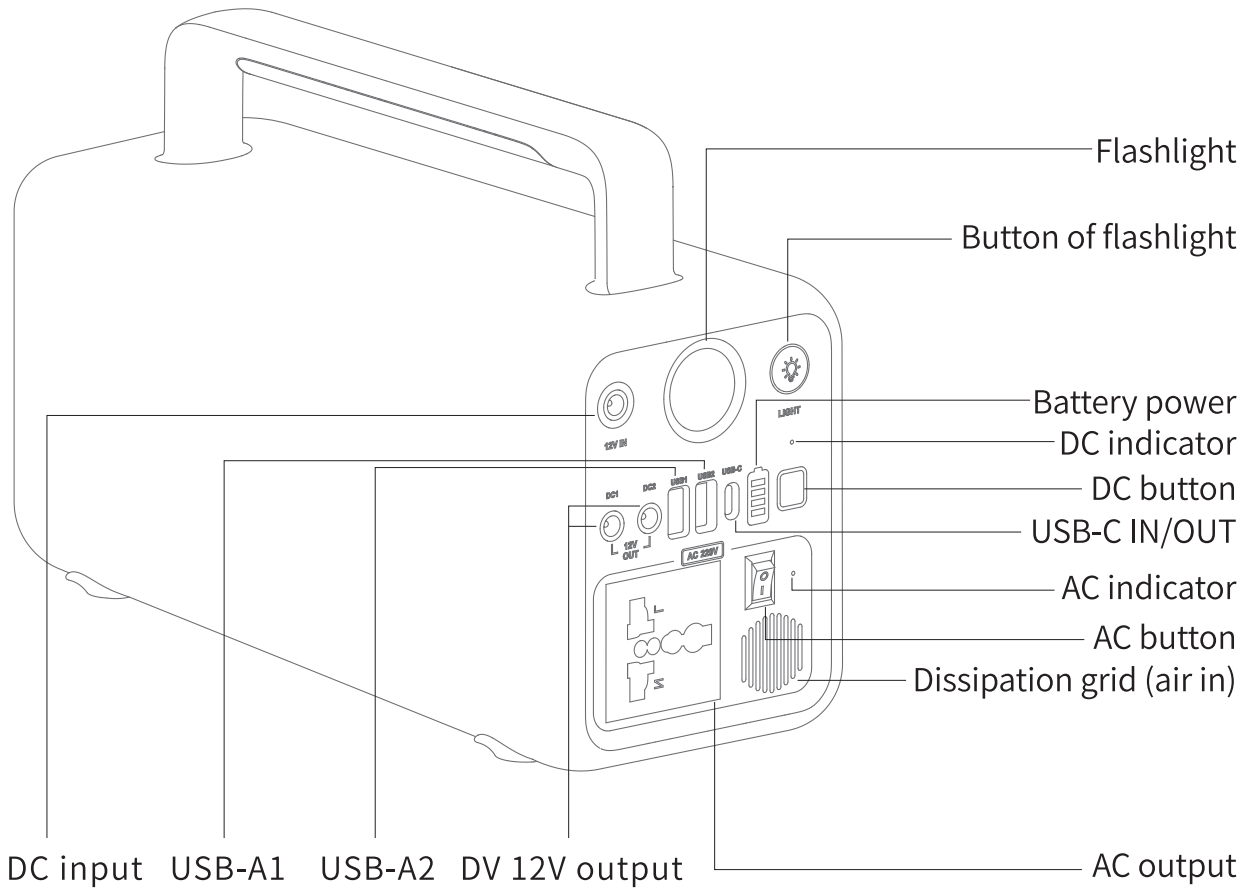
84F-003V70 is a multi-functional emergency energy storage power supply. It adopts UL authorized automobile power cell and efficient SPWM inverter conversion technology. It is more durable and has longer cycle life than ordinary battery cell. It enjoys the reputation of "outdoor mobile power station". It is widely used in outdoor party and camping, household emergency, outdoor live broadcasting, mobile office, medical rescue, emergency rescue, power equipment repair, communication emergency and other fields. It is compatible with most of digital appliances and household appliance of power rate under 300W.

## • 5、Specification



Model	84F-003V70
Power	230Wh (TYP)
Capacity	72000mAh (Lithium iron phosphate cell)
AC output	400W (AC~220V 50Hz,sine wave)
12V Input	12V~24V===1A-5A (Max 60W)
12V Output	12V===6A (DC 1+DC 2)
USB-C Input	DC 5V===3A/9V===3A/12V===3A/15V===3A/20V===3.25A
USB-C Output	DC 5V===3A/9V===3A/12V===3A/15V===3A/20V===3.25A
USB-1 Output	DC 5V===3A/9V===2A/12V===1.5A
USB-2 Output	DC 5V===3A/9V===2A/12V===1.5A
Total output	5V===4A (USB1+USB2)
Power rate of flashlight	3W
Dimension	268x110x185mm (about)
Weight	3092g (about)

• 6、Structure and functions



## • 7、How to charge the product

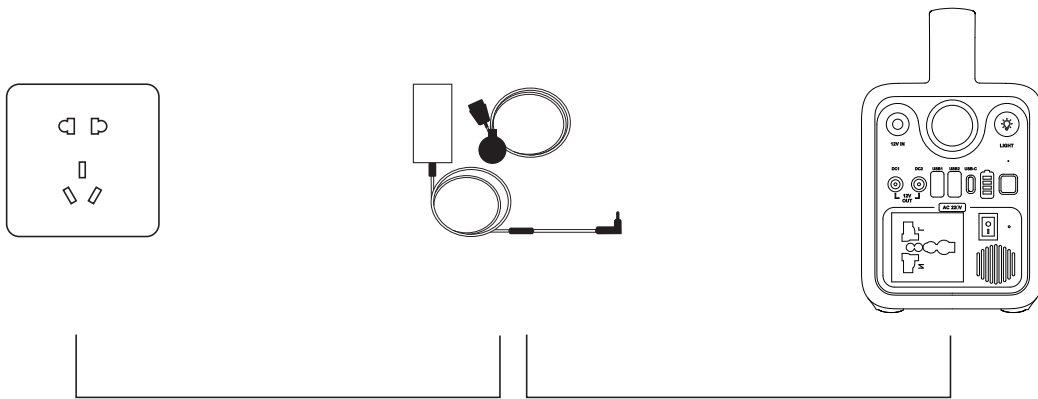


Please read the following notes first

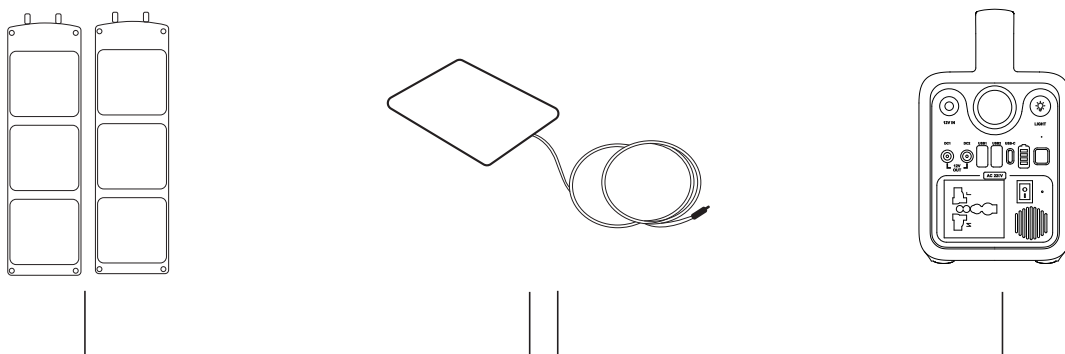
Accessories are only equipped with this product. It is forbidden to use on other electrical appliances. The product is fully charged when the power indicator stop flashing and stay on. Please stop charging and unplug the power cord from the AC socket.

We can charge the product in the following four ways:

1. Use the adapter to charge. Plug the adapter pin to the 220V AC power to charge the product.



2. Charging with solar panel. Connect one end of the cable to the solar panel (solar panel needs to be purchased separately), and insert the other end into the DC input "12V IN" interface of the product to charge the product (It is recommended to buy solar panels specially designed for this product).

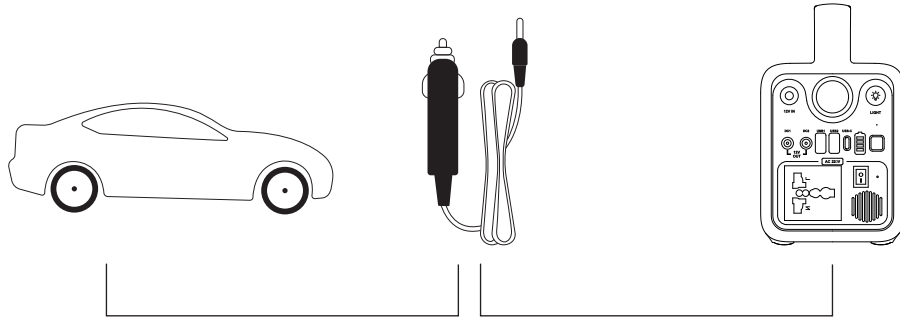




### 3. Charge with a cable with car charger plug

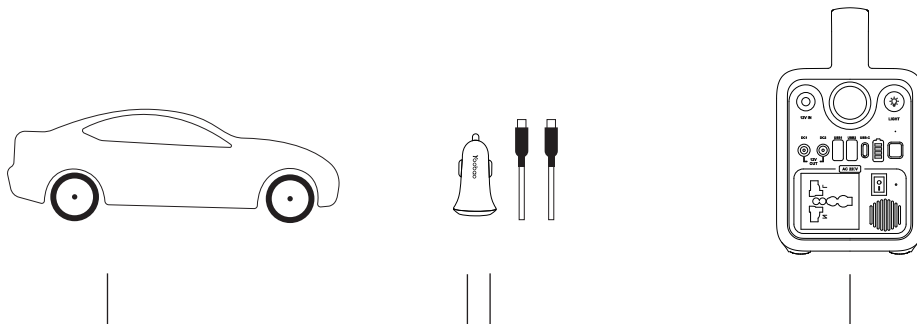
Connect the car charger plug to the cigarette lighter and the other end to DC input “12V IN” interface of the power station.

To prevent loss of the car battery, please do not use the car charger to charge when the car is in a non-starting state.



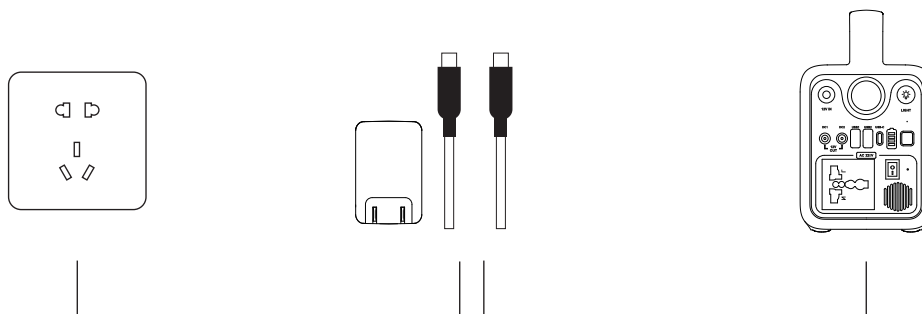
### 4. Charge with a PD/QC car charger

Plug a PD/QC car charger (need to purchase separately) into cigarette lighter port of a car, connect a cable to the car charger and insert the other end of cable to “USB-C” port of the power station.



### 5. Charge with PD wall charger

Prepare a PD wall charger and a Type-C cable that support PD quick charge, plug the wall charger to wall socket, and connect the power station with the cable and through “USB-C” input.



## • 8、 How to use the AC output

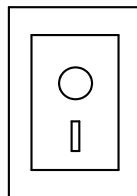


Please read following cautions before use:

- Please ensure that the input voltage and frequency of electrical equipment are consistent with the parameters of this product.
- Please ensure that the rated power of electrical equipment is less than 300W, preferably within 80% power range.
- If the rated power of electrical equipment is higher than 300W, the overload protection may be activated.
- If the power of electrical equipment is higher than the rated power of 300W, please choose Yoobao portable power supply with higher power.
- The instantaneous power of some electrical equipment is greater than its rated power. For example, the starting power of inductive load equipment is generally 3-8 times of a certain rated power, and the starting power of energy-saving lamp is dozens of times of its rated power. The above situation does not rule out the possibility of activating the overload protection of this product and turning off the power supply.

### Steps of using the 220V AC output

**Step 1:** Turn it on with the AC button and the indicator will be on. Remaining power can be seen on LED screen.

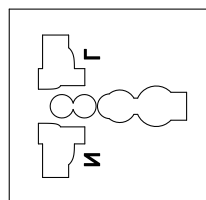


AC button

**Step 2:** Check whether the input voltage and frequency is compatible with the product.

**Step 3:** Make sure the power rate is under the rated power rate of this product.

**Step 4:** Connect the appliance to the AC output.



AC output

**Step 5:** Turn it off with the AC button and pull out the appliance plug when stop using.

**Step 6:** please recharge it if it is of low battery or out of battery.

**Note:**

- To avoid power loss, please turn it off with the AC button when you are not using AC port.
- Since different countries have different plug type and voltage standards, to avoid danger, please carefully check if the appliance is compatible with the product.

## • 9、How to use the DC output



When using DC output(include USB-A output, DC5.5output, Type-C PD65W output), please ensure that the digital device support the current of the corresponding output port, so as to prevent the interface from overheating and causing damage to the device.

### 1. Use USB ports to charge digital devices

2 ways to use USB output:

**USB-A QC3.0:** the orange USB-A can provide QC3.0 quick charge, it will need a cable supporting QC3.0 protocol to connect power station and the digital devices, long press the DC button and the power station will charge the digital devices quickly.

**USB-C:** USB-C output interface, also known as Type-C, can provide PD fast charging and the output power is 65W. It will need a cable supporting PD protocol to connect power station and the digital devices, long press the DC button and the power station will charge the digital devices quickly.

### 2. Use DC5.5 output to power appliances

Long press DC button, the DC indicator light will be on and two DC5.5 ports start to provide power at voltage 12V and total current 6A. Connect to the DC5.5 output to power appliances. Long press the DC button again, the DC indicator will be off and the power will be cut. This DC5.5 output can provide power to DC fan and LED lights etc.

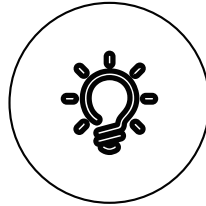
**When you are not using DC output, please turn it off with the DC button, otherwise the remaining power will be consumed by itself.**

## • 10、Steps to use flashlight



The product has a built-in flashlight.

Long press the “Light” button for 2 seconds to turn on the flashlight, and then press it to switch mode: **normal constant mode** → **strong constant mode** → **SOS mode** (internationally recognized Morse code rescue signal), and then long press for 2 seconds to turn off the flashlight.



Button of flashlight

- Please don't use the flashlight directly point to eyes to avoid the damage from strong light.

## • 11、Name and content of toxic and hazardous substances or elements in the product



Toxic and hazardous substances or elements					
Lead	mercury	cadmium	chromium	Polybrominated biphenyls	Polybrominated Diphenyl Ether
0	0	0	0	0	0
0:means that the content of the hazardous substance in all homogeneous materials of the component is below the limit requirement specified in the 2002/95/EC (ROHS) standard					



**Warning**

- AC Input prohibited!
- Do not disassemble, soak in water or leave in fire!