

READ AND SAVE THIS INSTRUCTION FOR FUTURE USE

ASSEMBLY & INSTRUCTION MANUAL



Strictly comply with the following safety recommendations when assembling and using this bike carrier:

Note: carefully read all these instructions before beginning to assemble the bike carrier

Comply with the safety recommendations in particular!



Warning: check the vehicle's tolerated axial load, it must not be exceeded when the bikes are loaded! The tare weight of the bike carrier is 15 kg!



Warning: check the maximum bearing load tolerated by the tow bar attachment. Maximum bearing load > 60kg: in this case, 1 bike (2 or 3 bikes) weighing up to 45kg can be transported! Note: the vehicle must be equipped with a type-approved tow hook with a maximum bearing load of at least 50 kg- must be at least type ST 52-3 or GGG52.

Note: when assembled, the bike carrier must be equipped with a license plate (the vehicle's license plate remains hidden).



Technical safety when driving ,

Driving speed: never drive faster than the speed prescribed by the Highway Code. Regardless this, you should never exceed a cruising speed of 120 kph when transporting bikes on this bike carrier.



Opening mechanism: Warning: always make sure that the opening mechanism is closed and fastened.



Technical safety when driving Braking, accelerating, driving round bends:

Do not brake or accelerate sharply!

Do not make sharp turns! Make sure the speed is under 40 km/h. Make sure the speed is under 40 km/h when in bad situation on the road.

Inspection of the bike carrier: after having assembled the bike carrier for the first time, check all the fastening mechanisms on it (screws, straps, nuts) after having driven for a short way.

After this, these fastening mechanisms must be checked again at regular intervals (more often if the roads are in bad condition).



Warning: when the bike carrier is fitted on to the vehicle's tow hook, switch off the engine, turn the ignition key to the off position and apply the hand brake!

Back up and parking: When the bike carrier is mounted, the total width of the vehicle increased. The same bikes can increase the width and the total height of the vehicle.

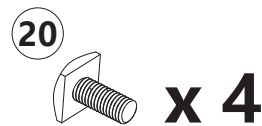
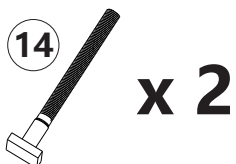
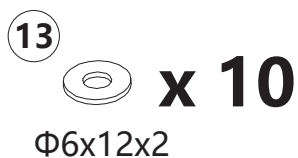
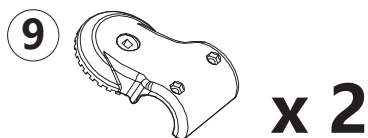
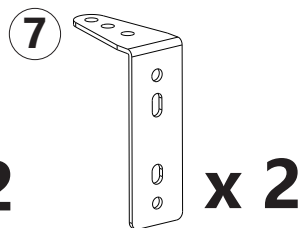
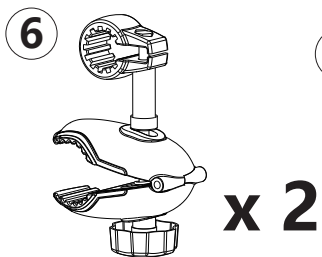
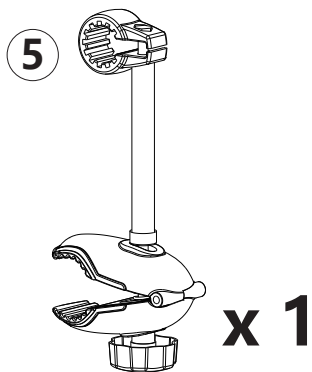
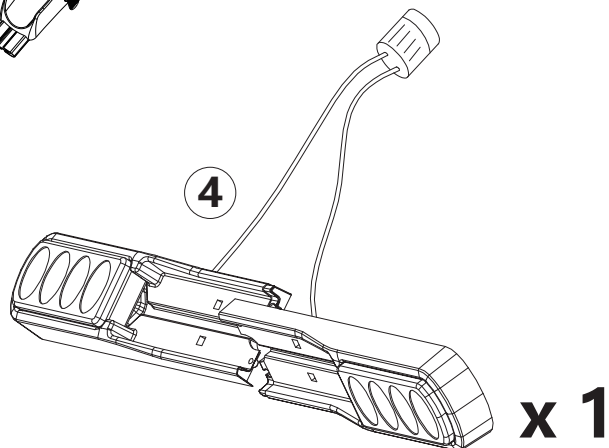
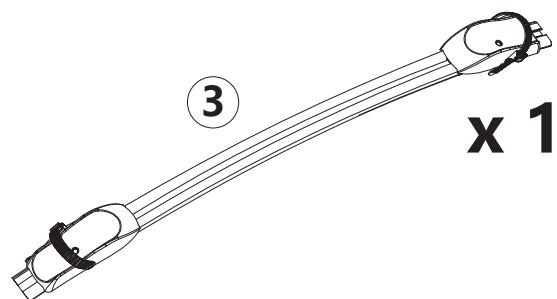
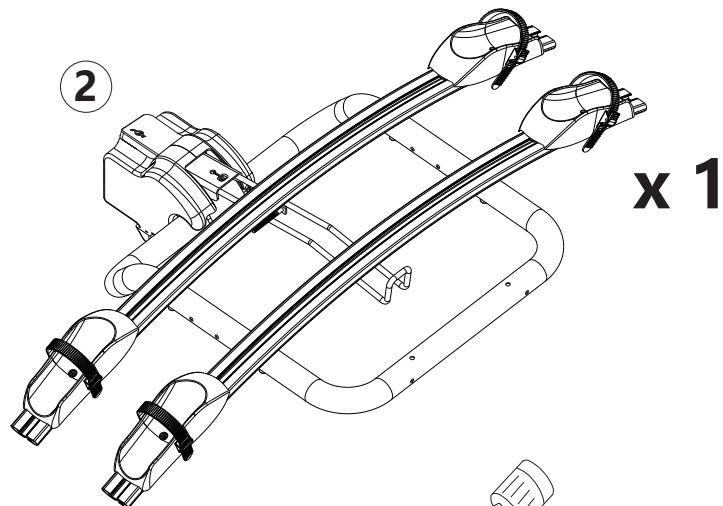
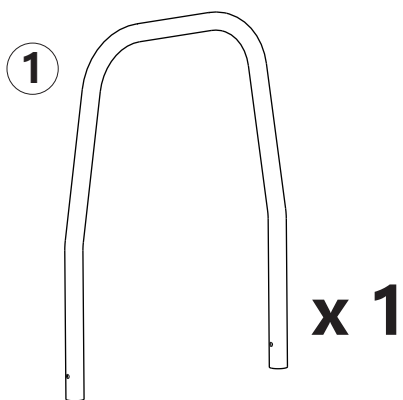
Be careful in backward motion.

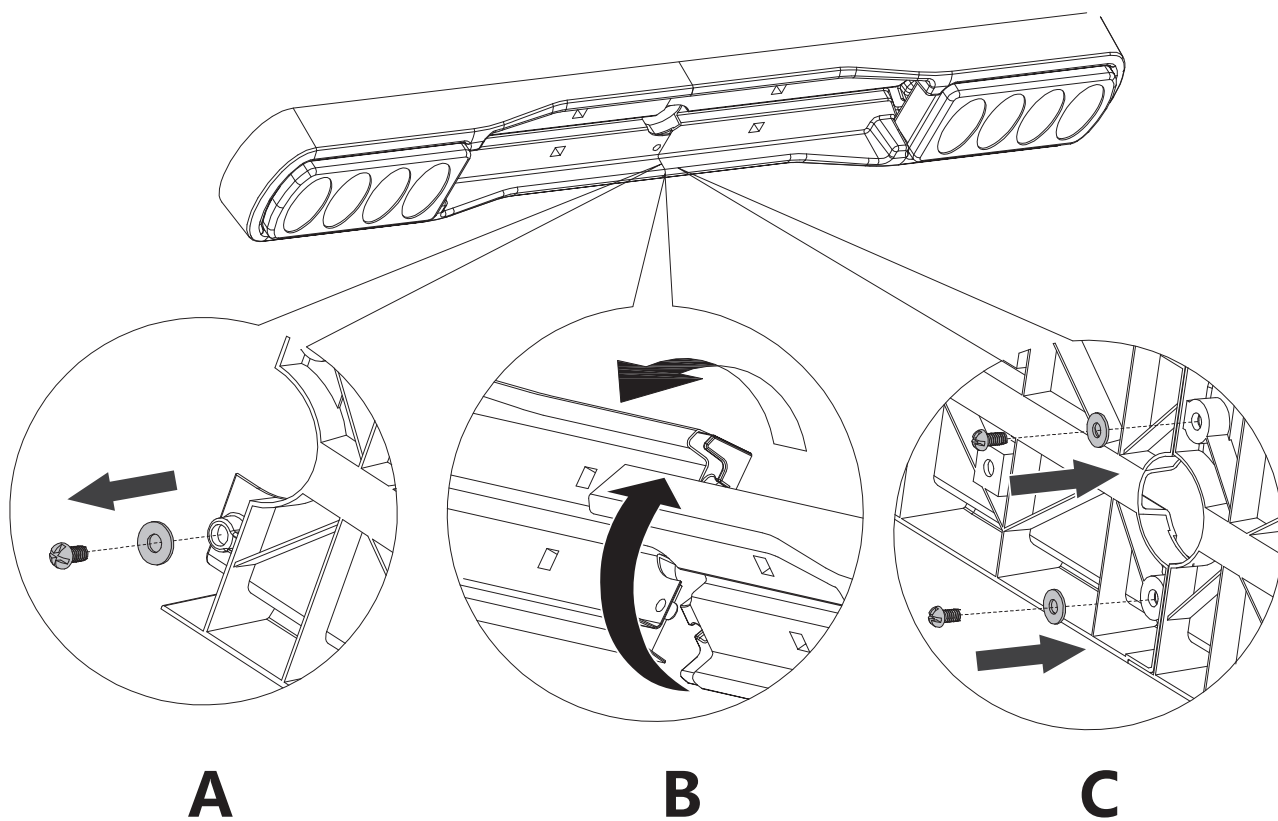


To ensure the duty life of the products, please use a wet towel or industrial alcohol to wipe them up after use; For the screw parts, please daub with lubricating oil or rust- proof oil, and then preserve them in a dry place; When you wash your car, please take the carrier off and it is forbidden to touch any corrosive solvent or with corrosive cleaning wash.

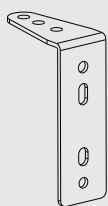


We reserve the right of the improvement of the product appearance and the designing, without any notice, if there is something different with the instruction, please make no worry about this situation.





7



x 2

20



x 4

12



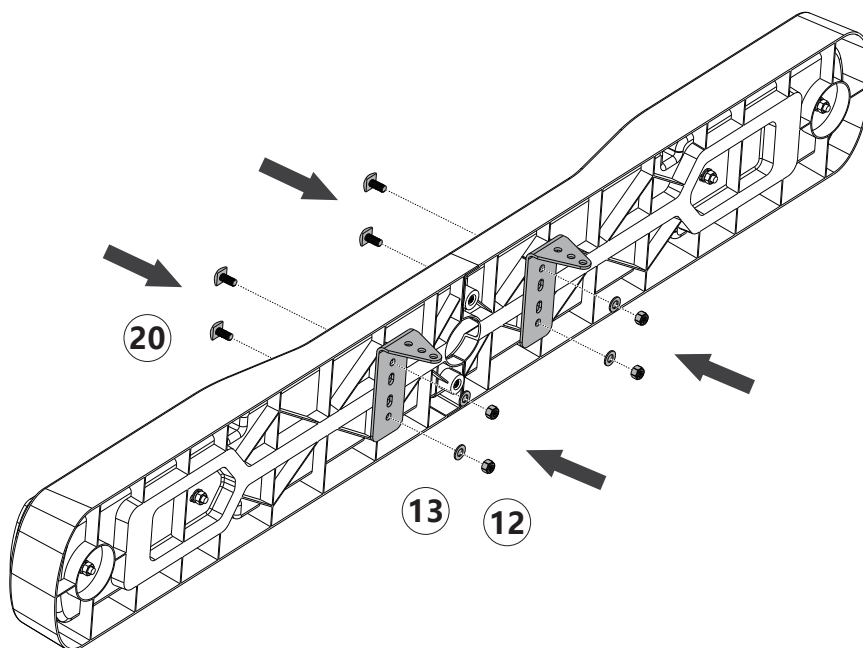
x 4

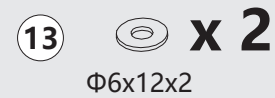
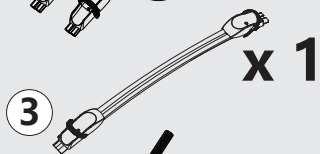
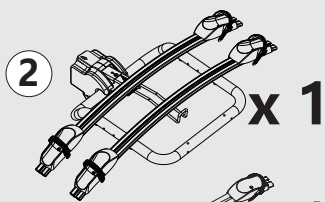
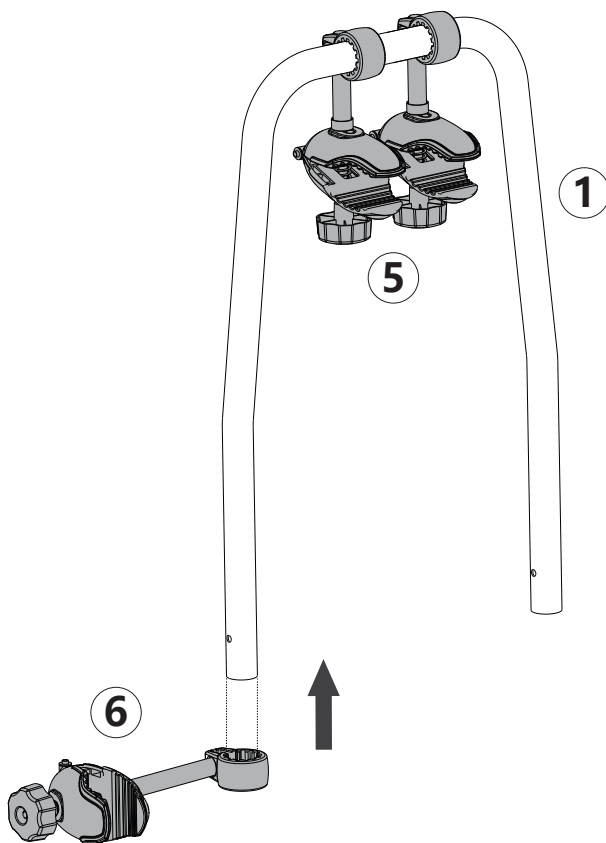
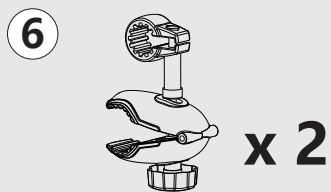
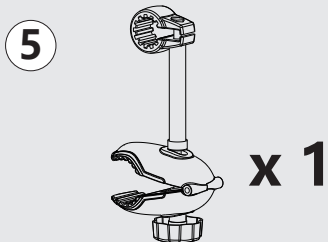
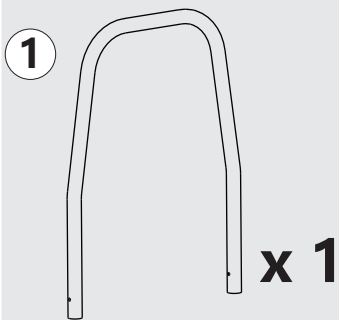
13



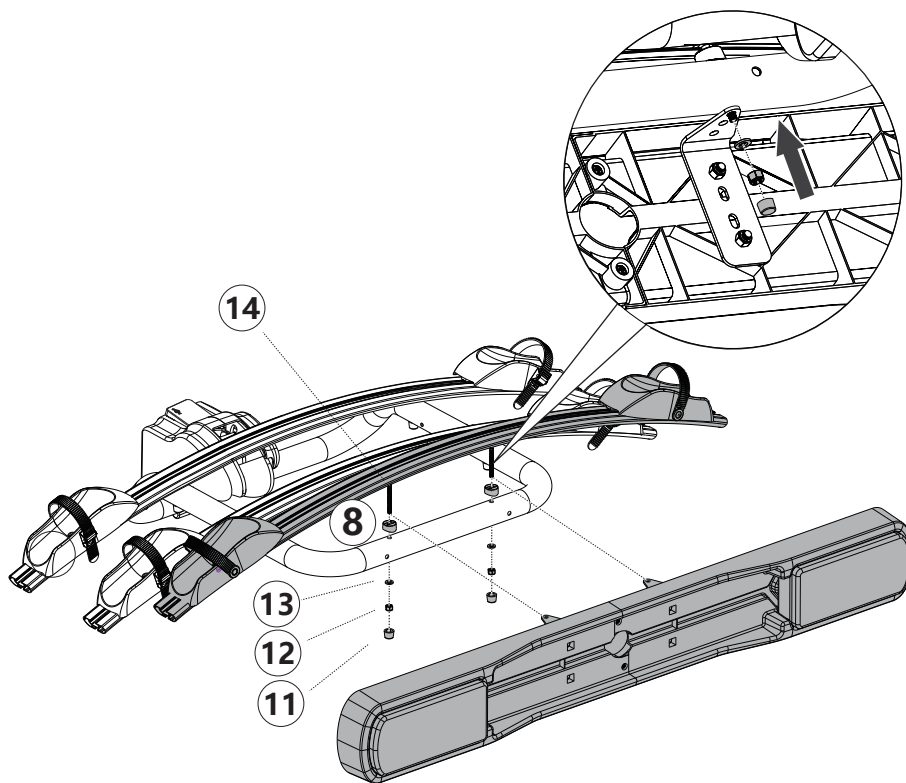
x 4

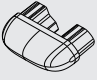




Φ6x12x2

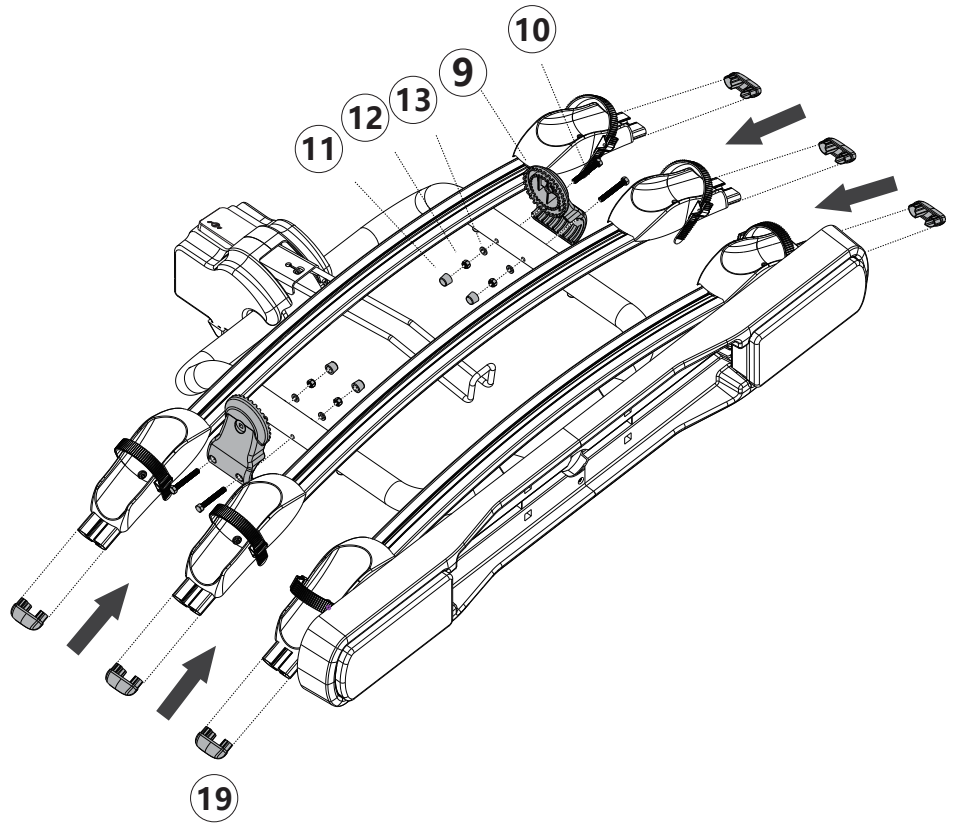





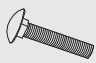


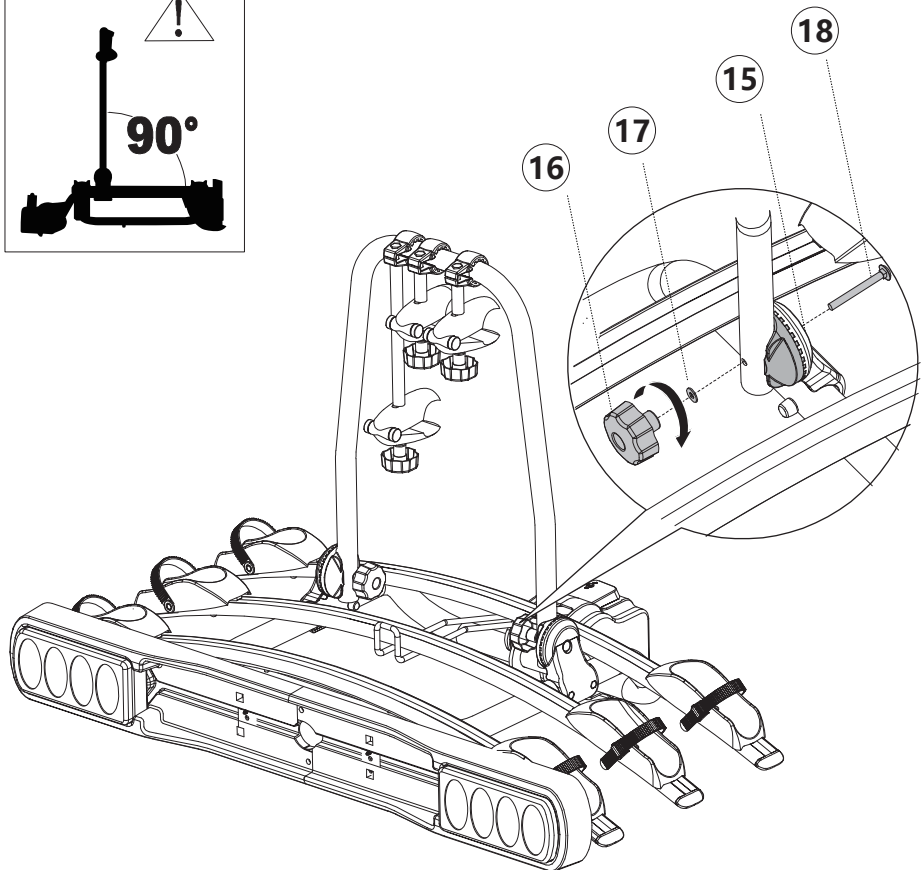
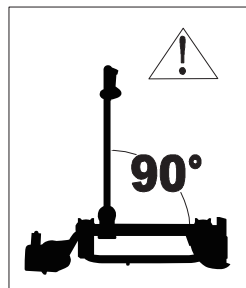
Φ6x12x2



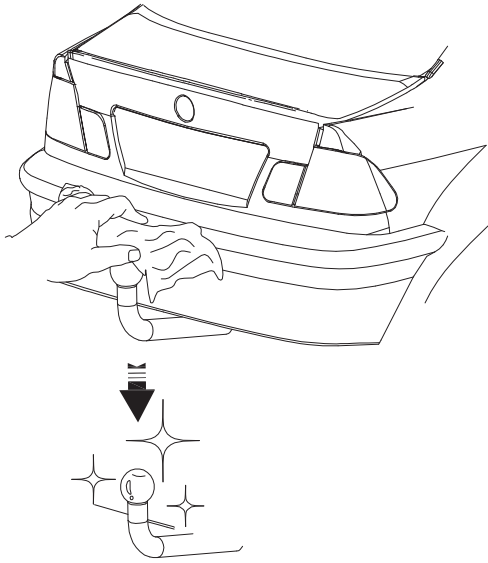
- 9  x 2
- 19  x 6
- 10  x 4
- 11  x 4
- 12  x 4
- 13  x 4
Φ6x12x2



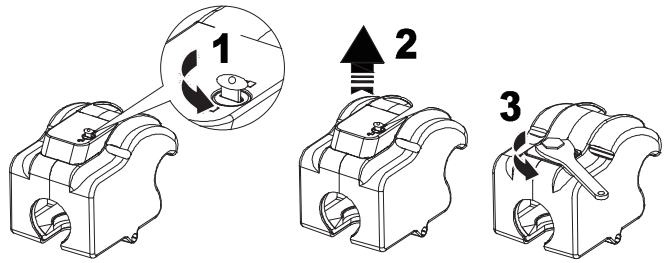
- 15  x 2
- 16  x 2
- 17  x 2
Φ6x16x1.5
- 18  x 2



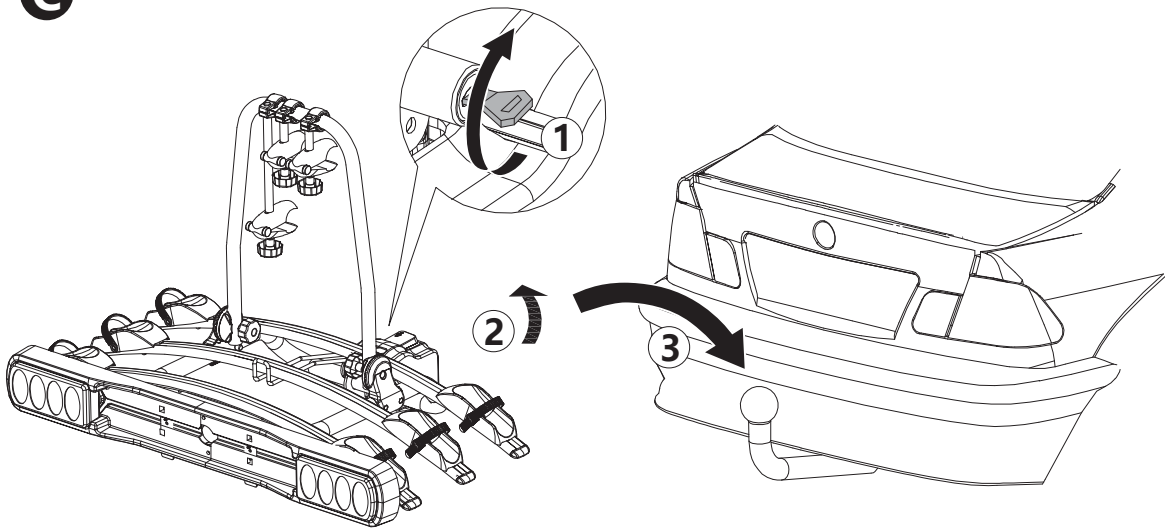
A



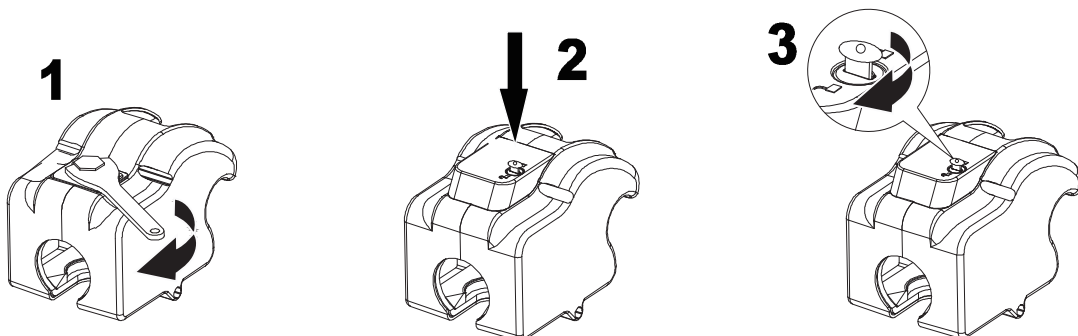
B

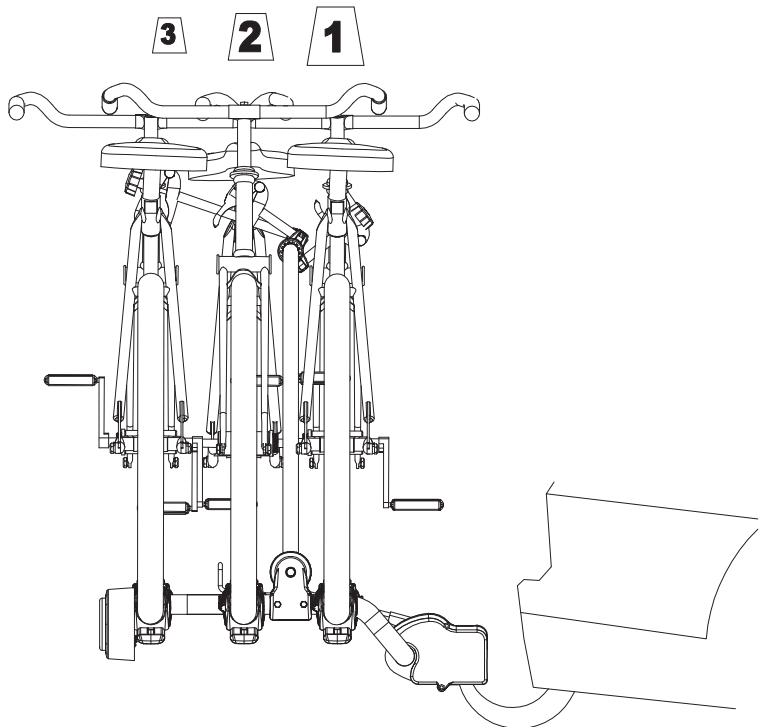
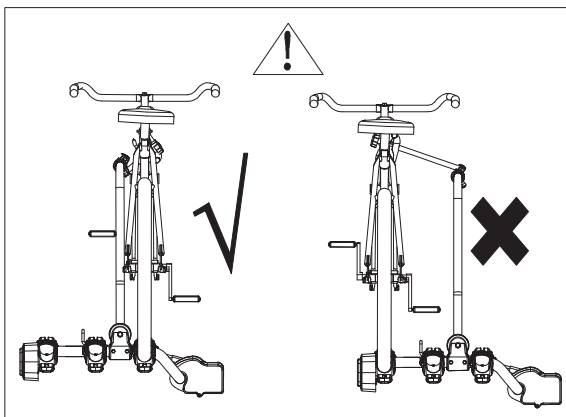
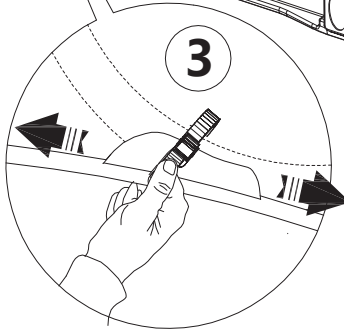
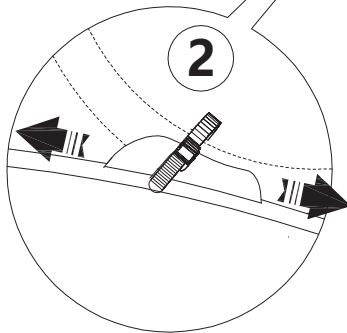
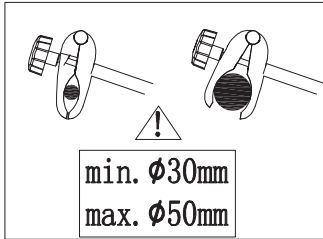
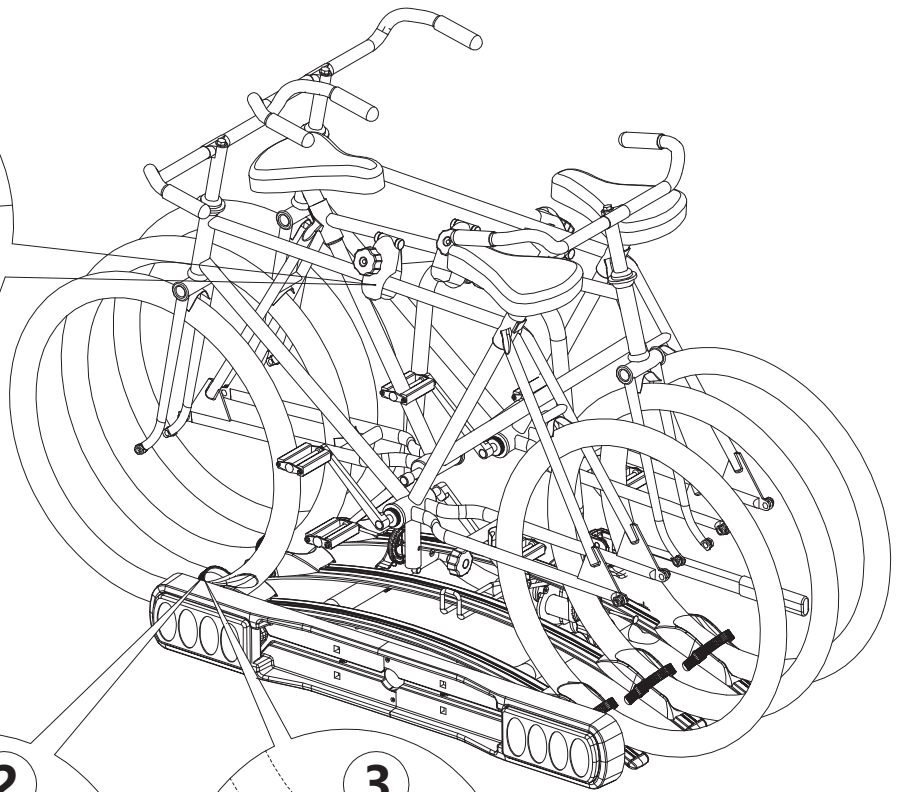
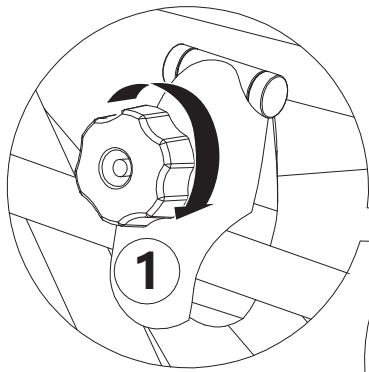



C





D

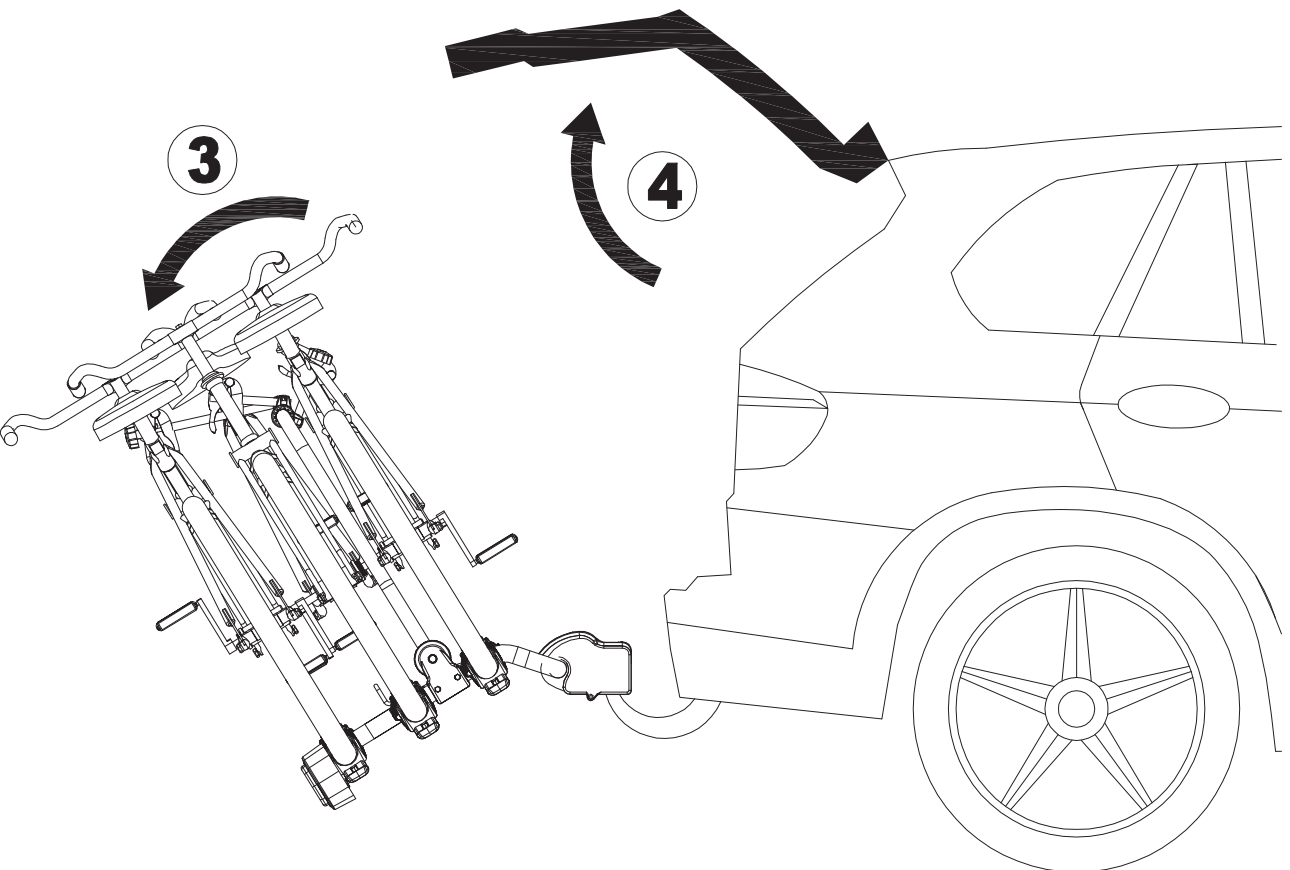
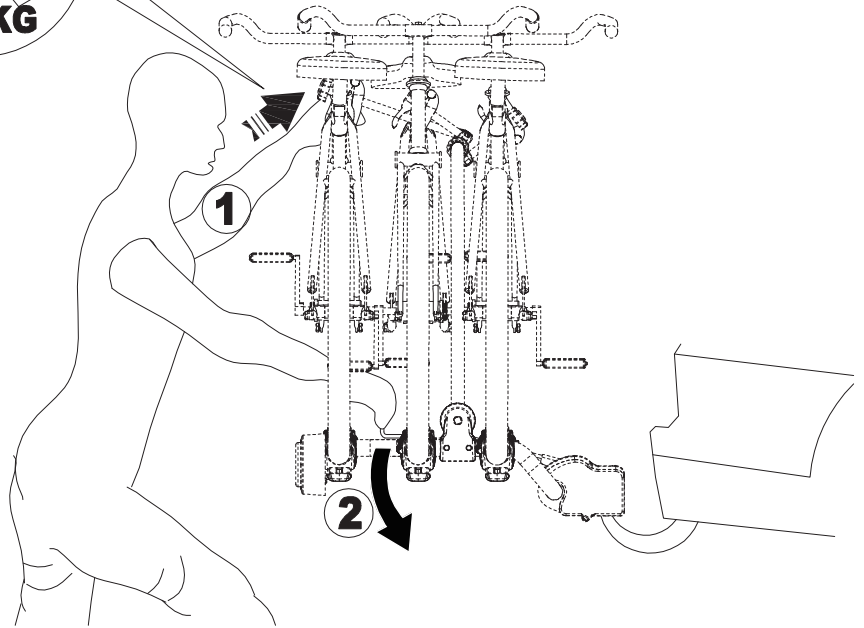
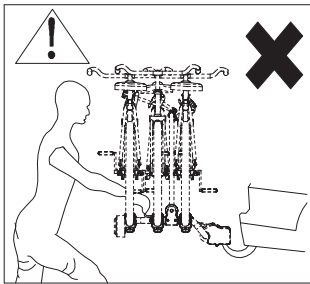
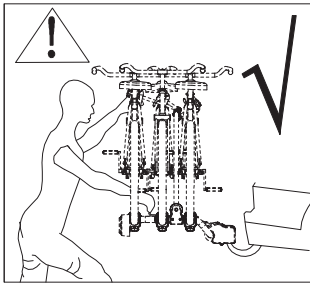




1  =15kg MAX

2  =15kg MAX

3  =15kg MAX



US



001-877-644-9366
customerservice@aosom.com

CA



001-855-537-6088
customerservice@aosom.ca

UK



0044-800-240-4004
enquiries@mhstar.co.uk

DE



0049-(0)40-88307530
service@aosom.de

FR



0033-1-84166106
contact@aosom.fr

ES



0034-931294512
atencioncliente@aosom.es

IT



0039-0249471447
clienti@aosom.it