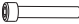



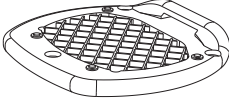
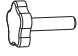
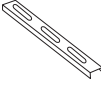


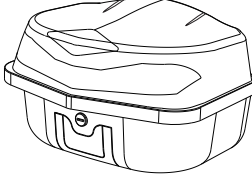


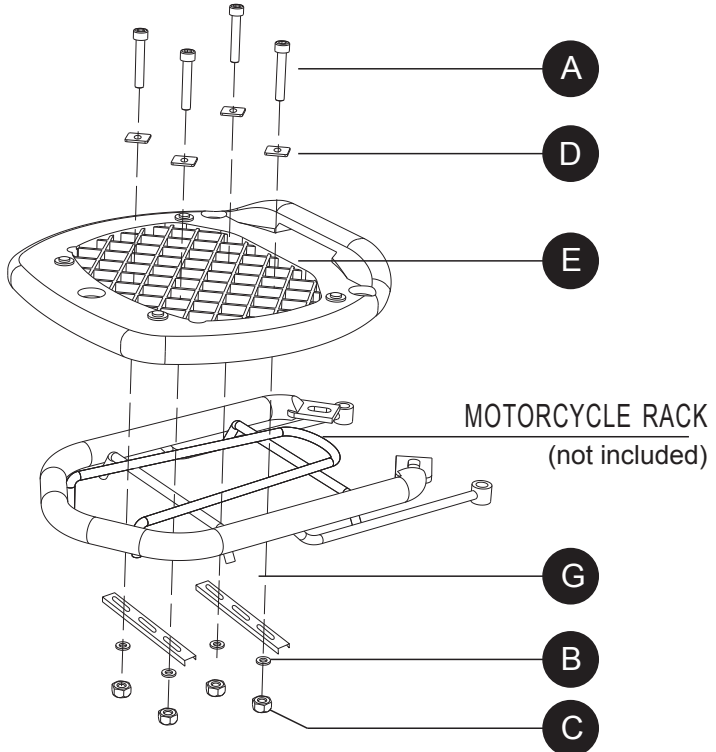
MOTORCYCLE TOP CASE INSTRUCTION MANUAL

Parts List

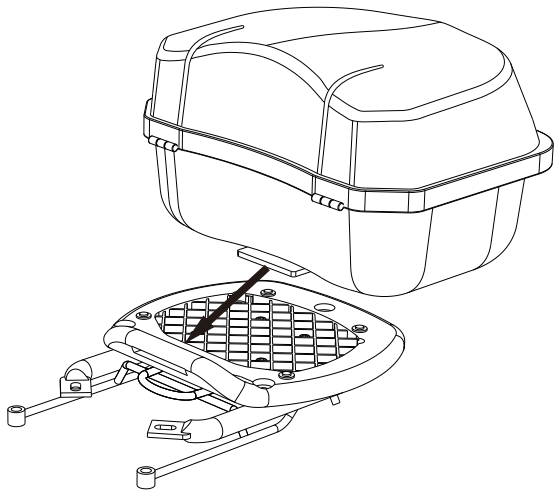
<p>A</p>  <p>x4</p>	<p>B</p>  <p>x4</p>	<p>C</p>  <p>x4</p>	<p>D</p>  <p>x4</p>	<p>E</p>  <p>x1</p>
<p>F</p>  <p>x1</p>	<p>G</p>  <p>x2</p>	<p>H</p>  <p>x1</p>	<p>J</p>  <p>x2</p>	<p>K</p>  <p>x1</p>

Assembly

1



2



3

