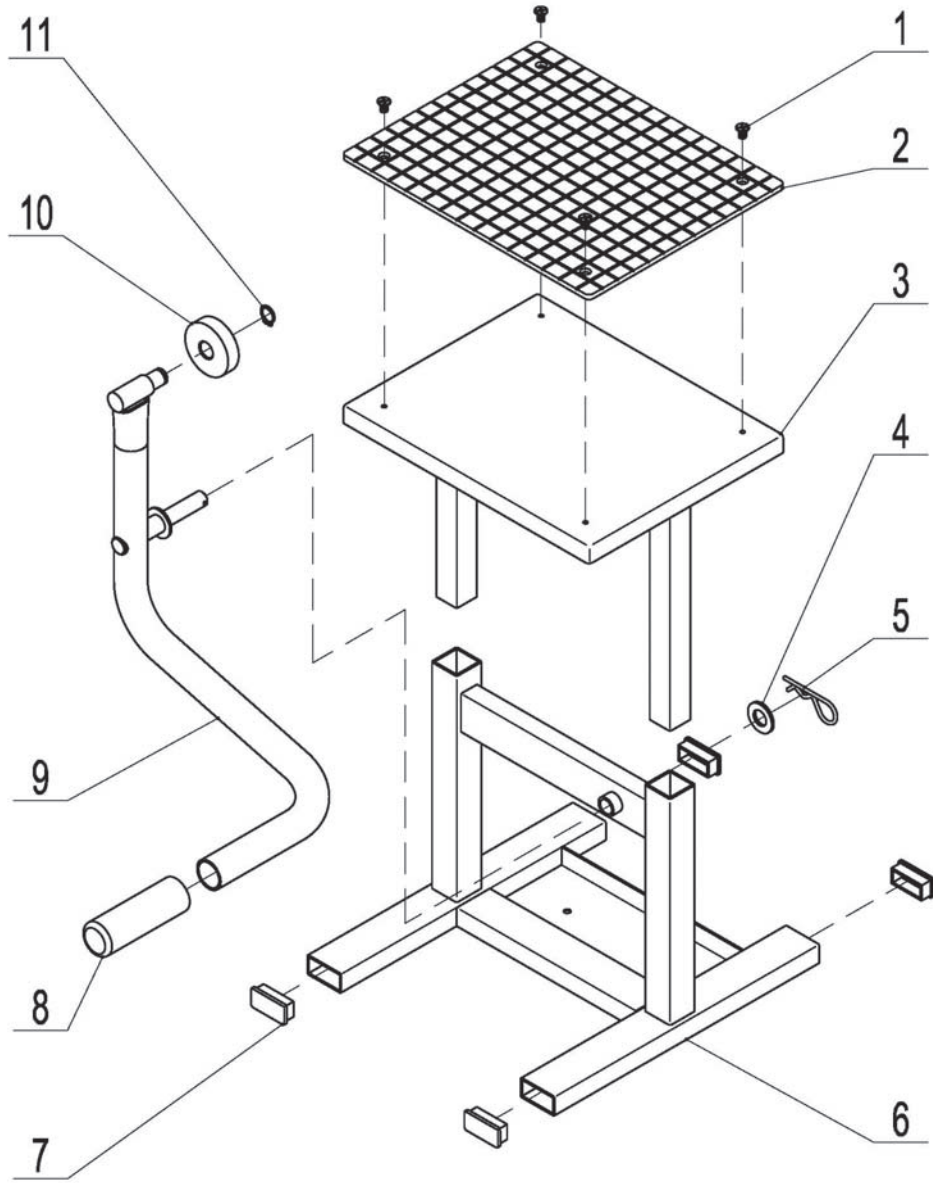




# MOTORCYCLE LIFT STAND

C30-011 EN C000000



NO.	DESCRIPTION	QTY	NO.	DESCRIPTION	QTY
1	Chanfer Head Screw M6*10	4	7	Choke Plug	4
2	Leather Pad	1	8	Handle Sleeve	1
3	Stool Plate Assembly	1	9	Handle Assembly	1
4	Flat Washer $\Phi 14$	1	10	Idler Wheel	1
5	"R" Pin	1	11	Jump Ring $\Phi 14$	1
6	Lampstand Assembly	1			



0044-800-240-4004  
enquiries@mhstar.co.uk