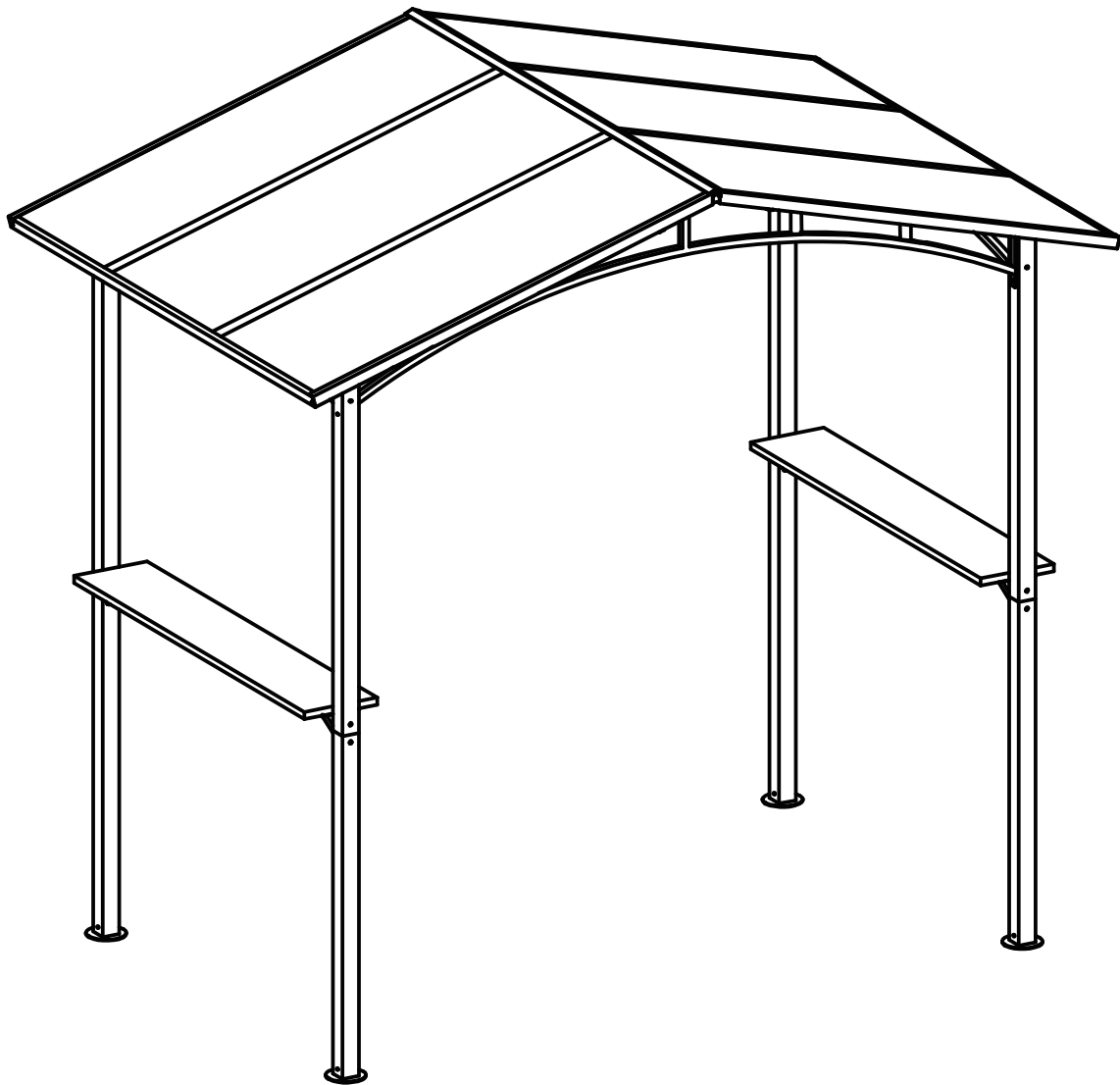




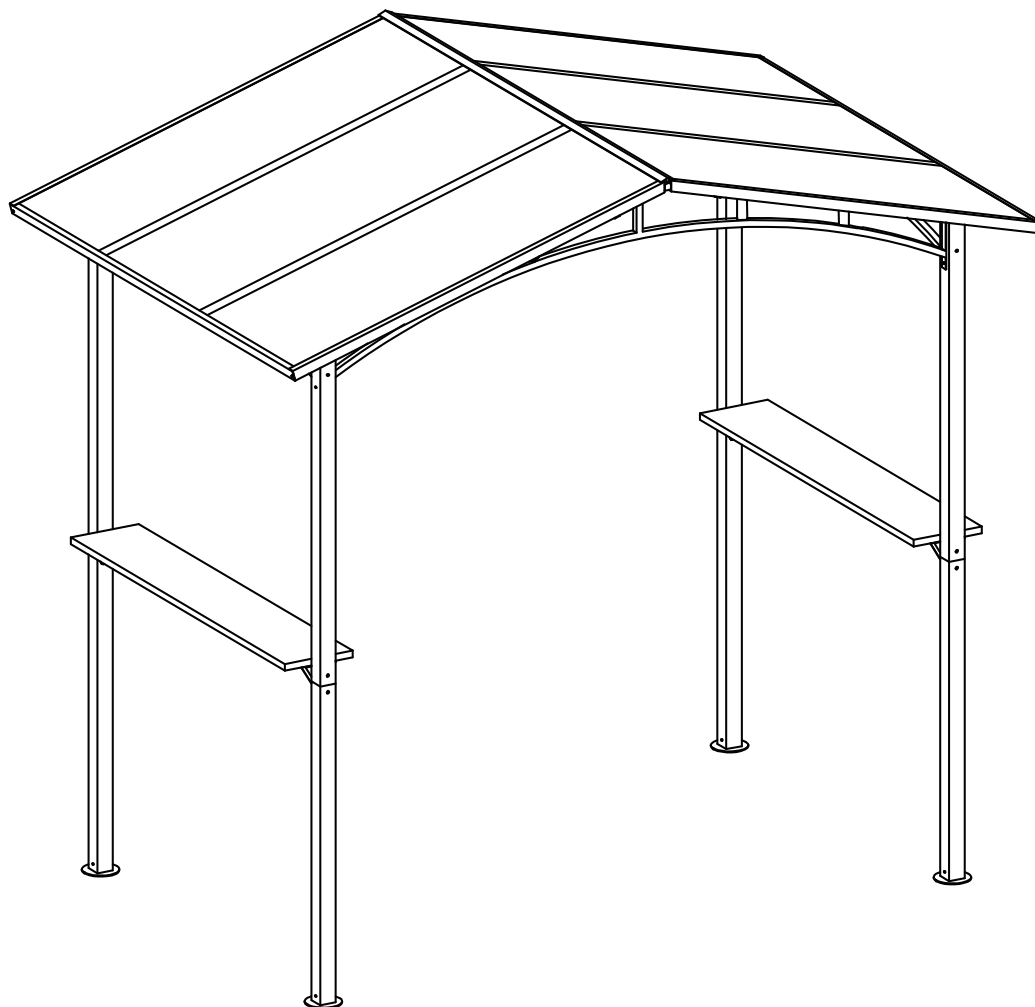
INb2004\_GL






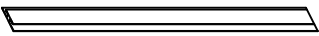


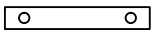





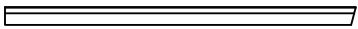

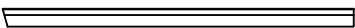

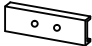

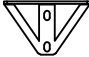



**84C-220**

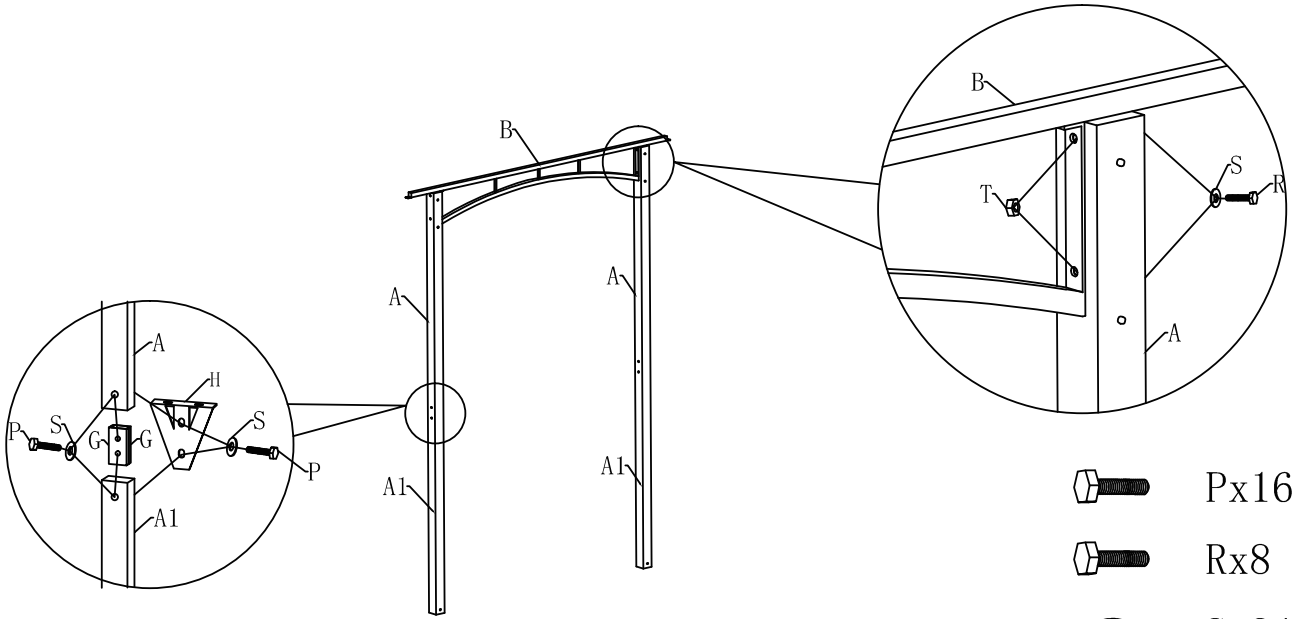


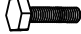



READ AND SAVE THIS INSTRUCTIONS FOR FUTURE USE

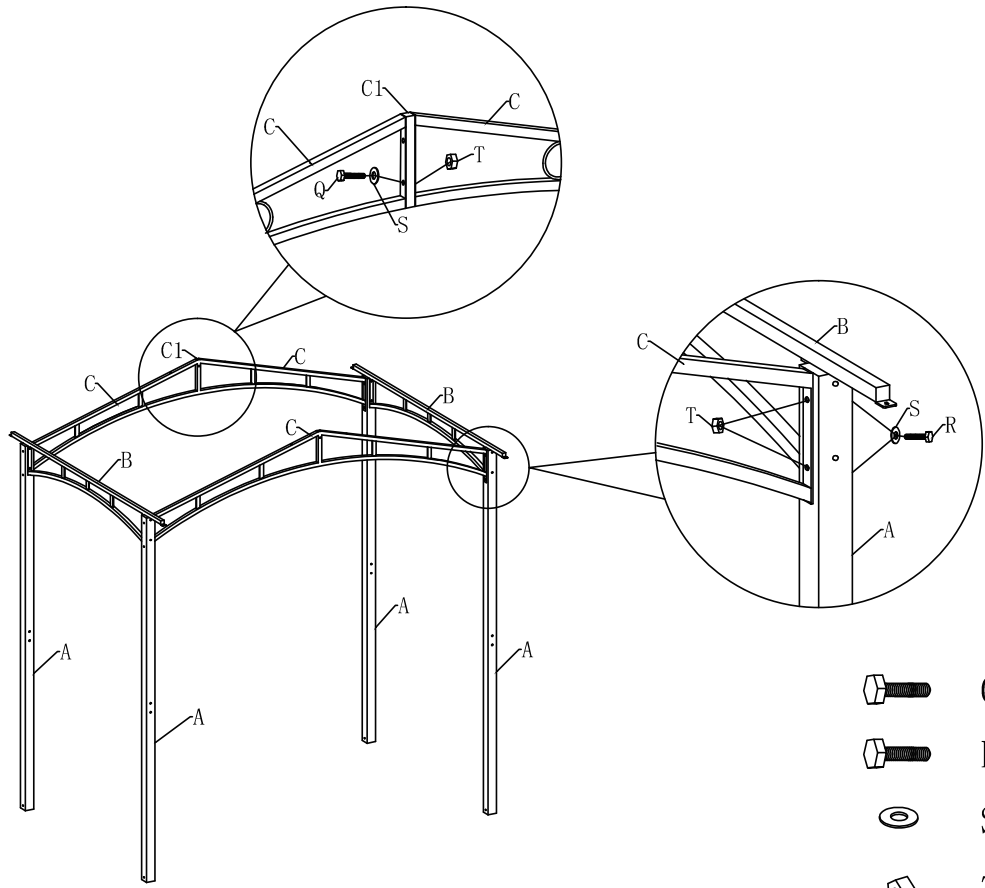
**ASSEMBLY & INSTRUCTION MANUAL**







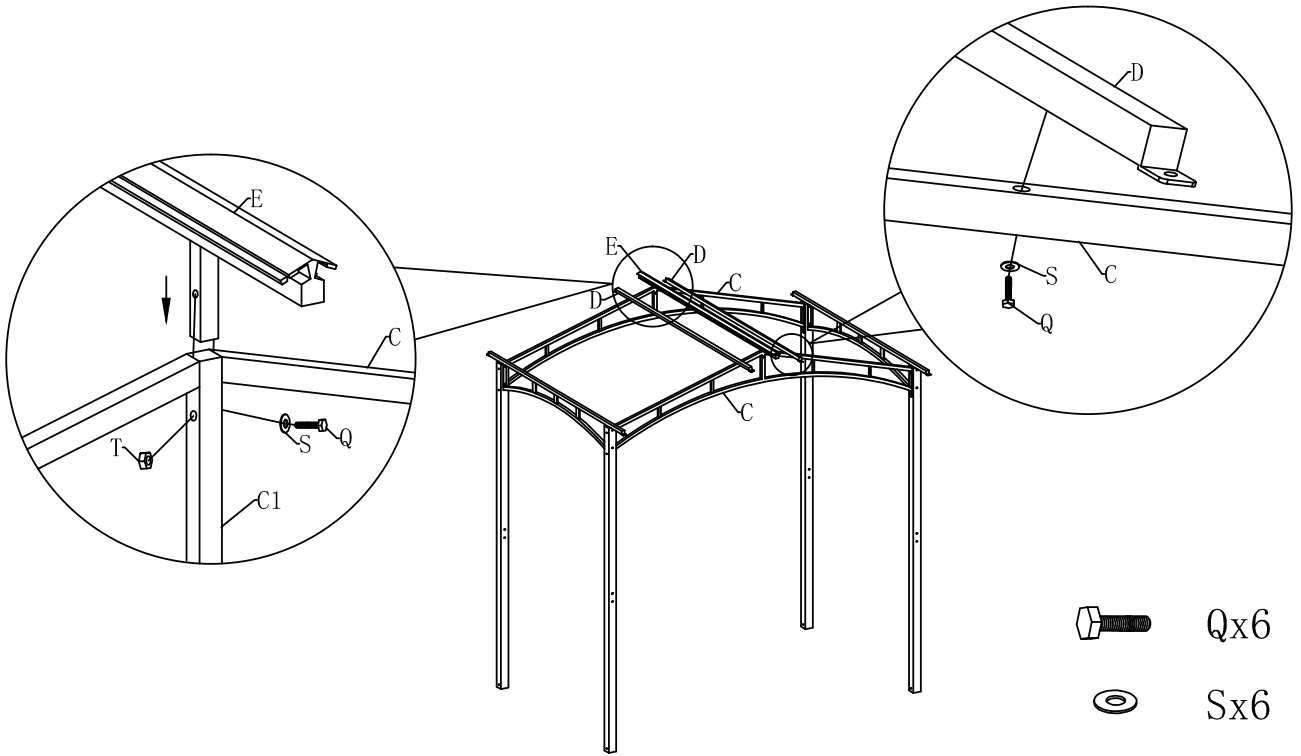
NO.	COMPONENT	QTY	NO.	COMPONENT	QTY
A		4	J		2
A1		4	K		6
B		2	L		4
C		4	M		2
C1		2	O		4
D		2	P		46
E		1	Q		8
F		2	R		16
F1		2	S		70
G		8	T		20
H		4	U		2
I		2	V		8






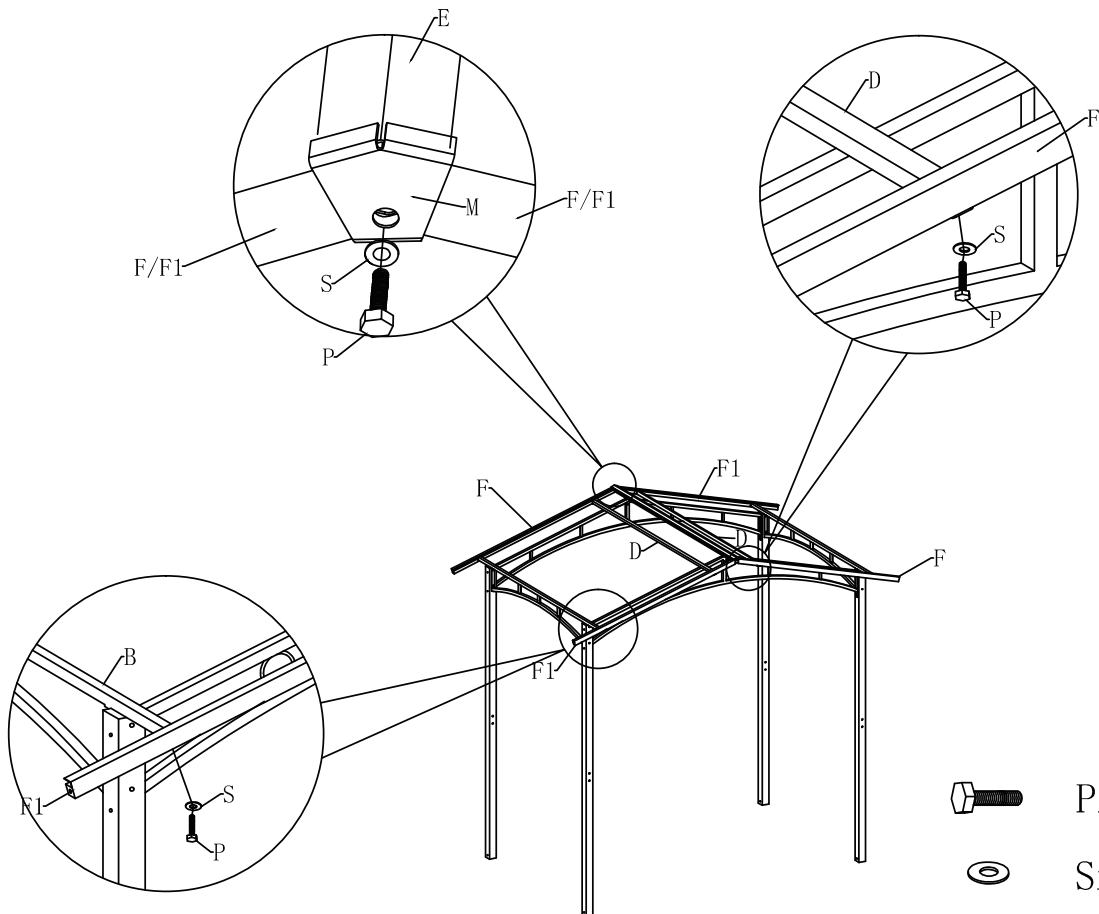
-  Px16
-  Rx8
-  Sx24
-  Tx8





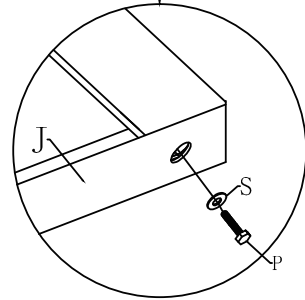
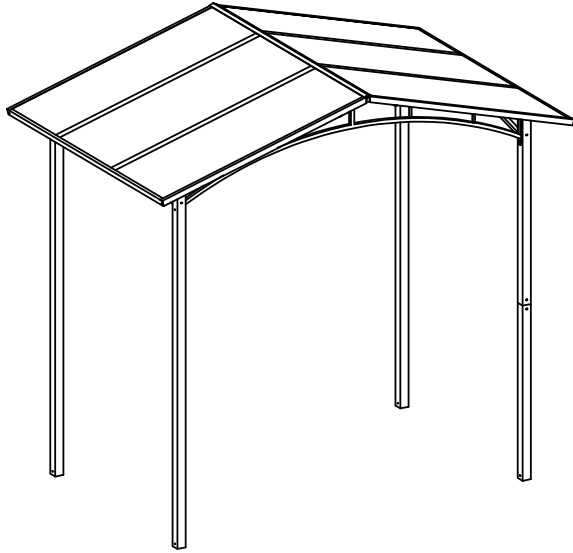
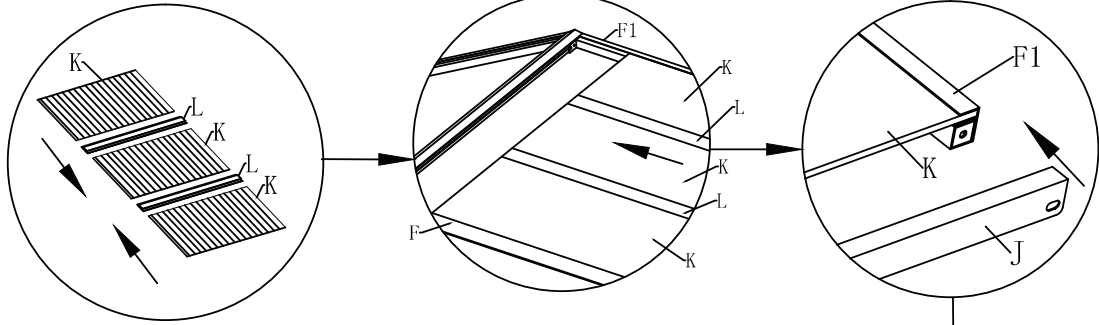
-  Qx2
-  Rx8
-  Sx10
-  Tx10





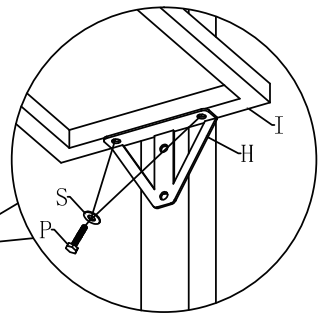
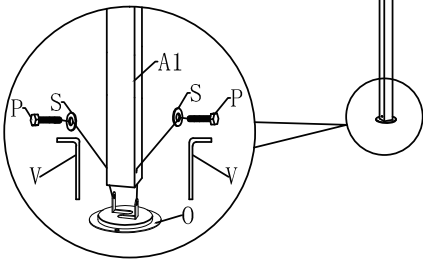
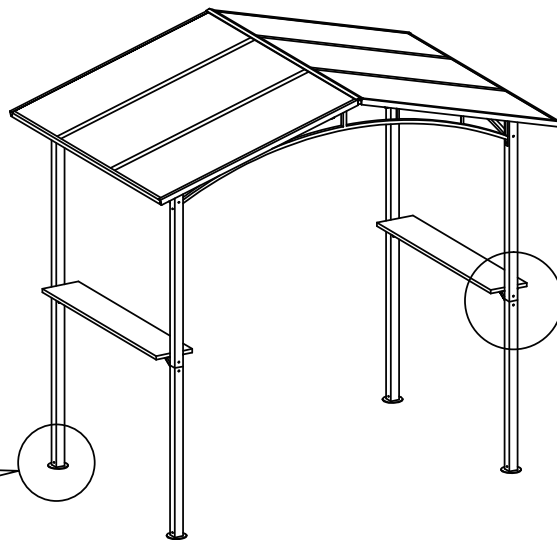
-  Qx6
-  Sx6
-  Tx2





-  Px10
-  Sx10



-  Px4
-  Sx4



-  Px16
-  Sx16

US



001-877-644-9366  
customerservice@aosom.com

CA



001-855-537-6088  
customerservice@aosom.ca

UK



0044-800-240-4004  
enquiries@mhstar.co.uk

DE



0049-(0)40-88307530  
service@aosom.de

FR



0033-1-84166106  
contact@aosom.fr

ES



0034-931294512  
atencioncliente@aosom.es

IT



0039-0249471447  
clienti@aosom.it