



PATIO QUARTZ HEATER

YP-2000B (842-123/842-123V01)



1-WARNINGS

- This electrical appliance complies with technical safety and electromagnetic compatibility standards.
- Never touch your heater when in operation (risk of burns).
- Never touch it with wet hands.
- Never rotate the heating part of the appliance during operation. To change the tilt angle of the heating part, we advise you to wait for 15 minutes after the appliance has been switched off.
- Never place anything on your heater's safety guard as this may cause overheating (e.g. towels)
- Never use your appliance to dry washing.
- Although the heating element has stopped glowing, it may still be live and potentially dangerous. Check that the selection indicator is in position off before taking any action.
- Switch off your appliance:
 - After use
 - In the event of malfunction
 - Before cleaning it.
- Never operate your appliance if it has fallen over.
- Never dismantle your appliance. An incorrectly repaired appliance may be dangerous to the user. If you encounter any problems, please take it to one of the Approved Service Centers in our customer service network
The warranty will be void in the event of damage arising from improper use.
- **Do not use this heater in the immediate surrounding of a bath, a shower or a swimming pool.**



- This movable appliance is designed for use in gardens, and can be used indoor and outdoor. The warranty will not apply to appliances used for professional usage. **Although the heater may be used outdoors, the main plug must only be connected to the supply indoors.**
- This movable appliance is designed for use in gardens, and can be used indoor and outdoor. The warranty will not apply to appliances used for professional usage. **Although the heater may be used outdoors, the main plug must only be connected to the supply indoors.**
- Children or person who lack the knowledge or experience to use the device or whose physical, sensory or intellectual capacities are limited must never be allowed to use the device without supervision or instruction by a person responsible for their safety. Child are never be allowed to play with the device.
- **This appliance is not intended for use by persons(including children) with reduced physical, sensory or mental capabilities, or lack of experience and knowledge, unless they have been given supervisions or instruction concerning use of the appliance by a person responsible for the safety. Children should be supervised to ensure that they do not play with te appliance.**

2-VOLTAGE

Before using the appliance at the first time, ensure that your mains voltage corresponds to voltage indicated on the appliance. **It is a class I appliance and must be earthed.**

3-SAFETY

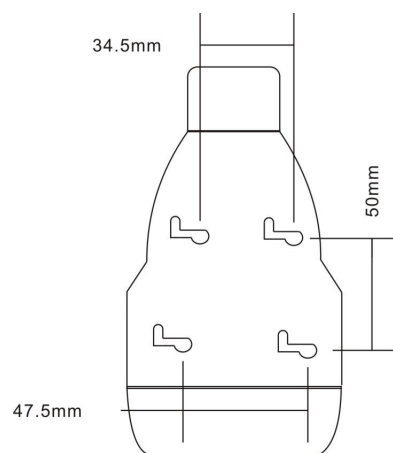
CAUTION: Before fitting or removing the appliance, ensure that the heater's power line supplying the heater is disconnected. Check that the power line is connected to a 30mA differential circuit breaker.

- This appliance is designed for use in gardens
- When it is switch on, an electrical heating appliance reaches very high temperature libel to cause burns. Make sure that all other users are aware of the risks.
- If you have any doubts concerning installation possibilities for this heater, please consult a qualified electrician.
- Children, the elderly and the infirm may not always be aware of the danger involved in using electrical appliances. Never allow this appliance to be used without supervision.
- The appliance must be positioned so that the plug is accessible.
- If the supply cord is damaged, it must be replaced by the manufacturer or its service agent or similar qualified person in order to avoid a hazard

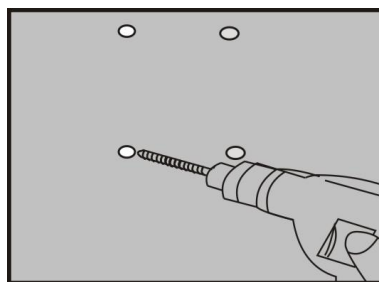
- The heater must not be located immediately below a socket-outlet
- Do not use this heater with a programmer, timer or any other device that switches the heater on automatically, since a fire risk exists if the heater is covered or positioned incorrectly.
- Do not place the appliance close to curtains and other combustible materials.

Installation method for wall mounted

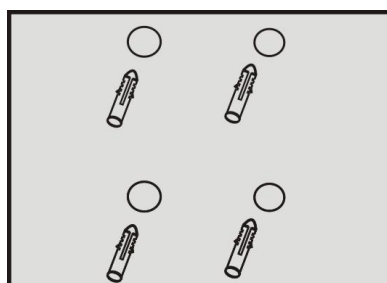
a. Punch corresponding holes on the wall which are the same as the back of the product wall-mounted holes.(As shown below)



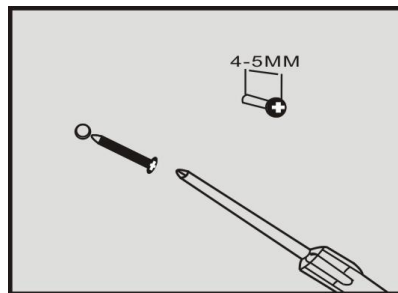
b. Use the diameter 8 drill to punch holes on the wall where is already marked. (As shown below)



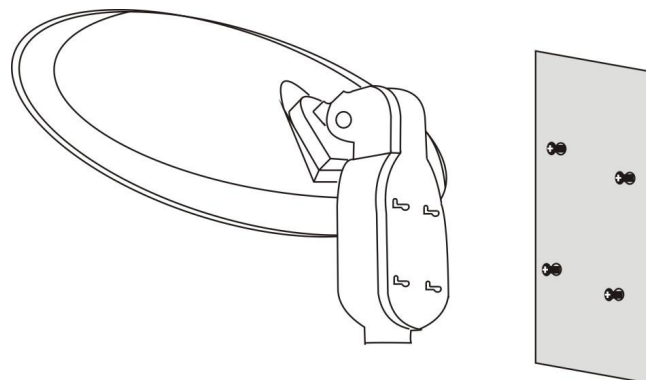
c. Put the 4 plastic expansion screws into the holes of the wall one by one, make the plastic expansion screws' outside diameter and the wall in the same plane. (As shown below)



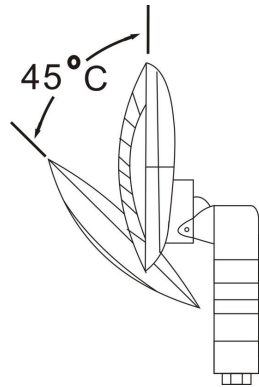
- d. **Fasten the four ST4*35mm screws into the plastic expansion screws one by one, make the 4-5mm of screws higher than metope. (As shown below)**



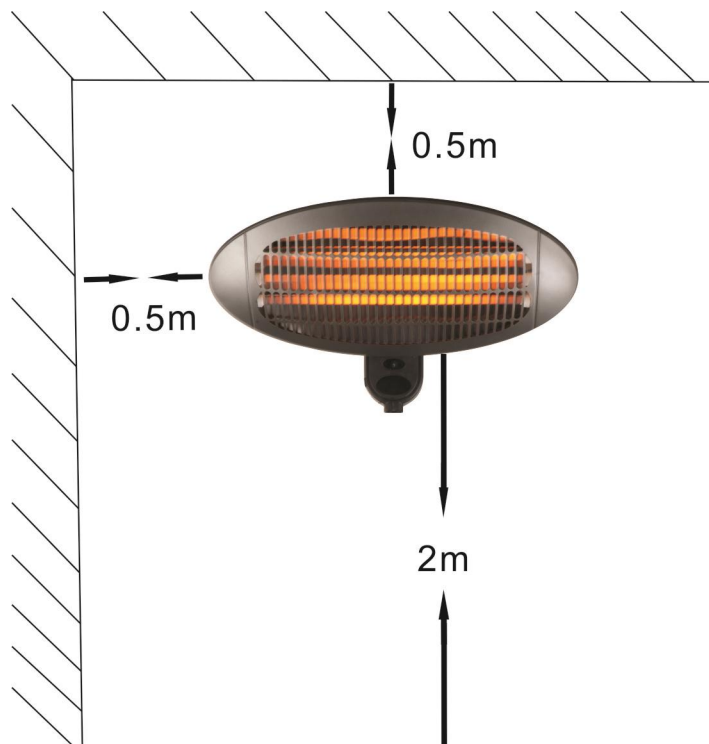
- E. **Hold up the product to make the back of the product wall-mounted holes into the four corresponding screws which are Exposed on the wall. Move the product to the left into the safe holes on the wall hanging part of product. (As shown below)**



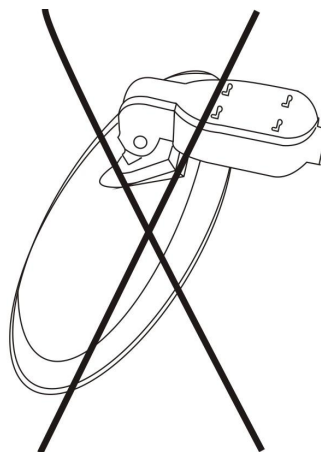
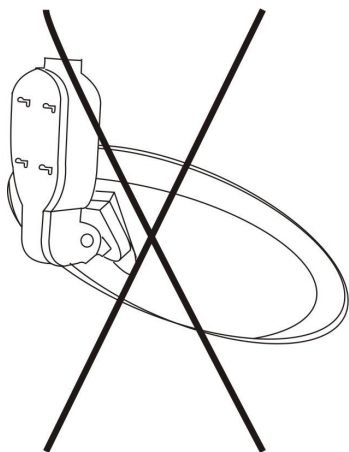
F.In order to meet customer needs, the head of the product can be move up and down for 45-degree angle. (As shown below)



G.Please attention during installation: the distance between the top of the product and ceiling should be more than 0.5m, the distance between the side of the product and corner should be more than 0.5m, the distance between the bottom of the product and floor should be more than 2m. In summary, To ensure safe use of the product. (As shown below)



H. For the safe use of the product, please install the product in correct installation method, never install the product inversely on the wall or be fixed on the ceiling. (As shown below)



■ **Before installing your appliance, you must disconnect the electrical supply at the circuit breaker.**

- Use the four screws to fix the bracket of the heater on the wall on a right position and then fix the heater on the bracket.

5-OPERATION

The appliance is switched on by means of the pull switch . The slight vibration noticeable when the appliance is switched on will stop after a few seconds.

6-OUTPUT

- Position 0: Stop
- Position 1: 650W (normal power)
- Position 2: 1300W (intermediate power)
- Position 3: 2000W (full power)

7-MAINTENANCE

Your appliance does not require any particular maintenance. However, in the event of a malfunction, **please consult an Approved Service Center.**