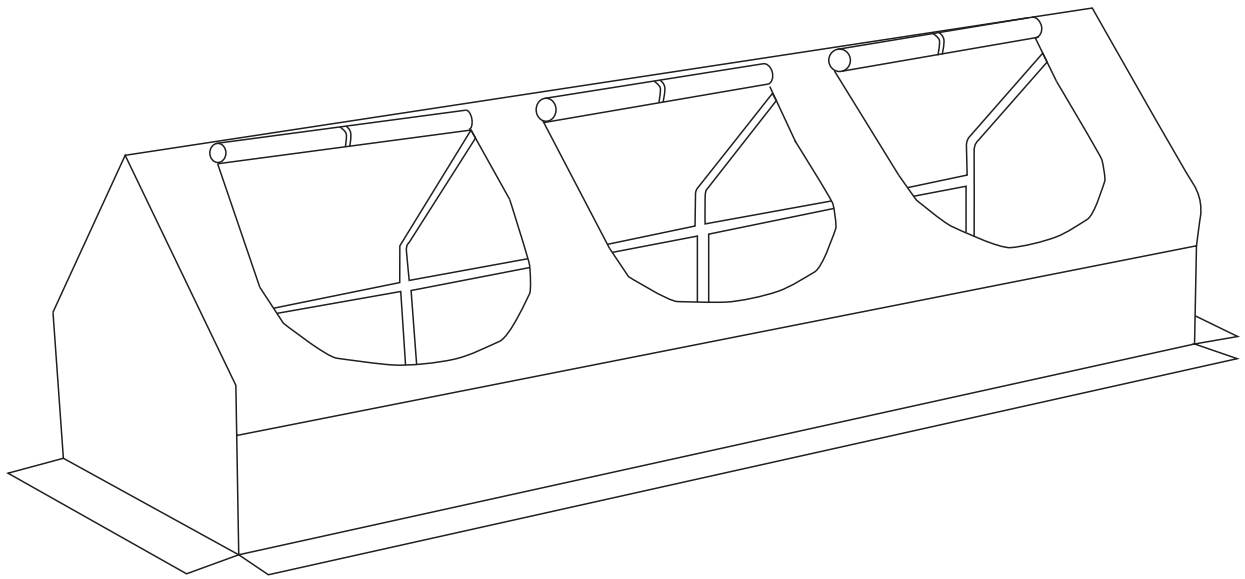




INbfa046V01\_GL

**845-368V01\_845-368V05**

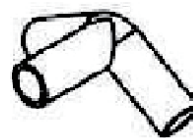


**IMPORTANT, RETAIN FOR FUTURE REFERENCE: READ CAREFULLY**

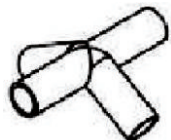
# ASSEMBLY & INSTRUCTION MANUAL



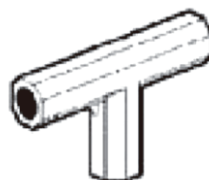
**A** x 4



**B** x 6



**C** x 6



**D** x 4



**①** x 17



**②** x 8



**③** x 8



**④** x 1

